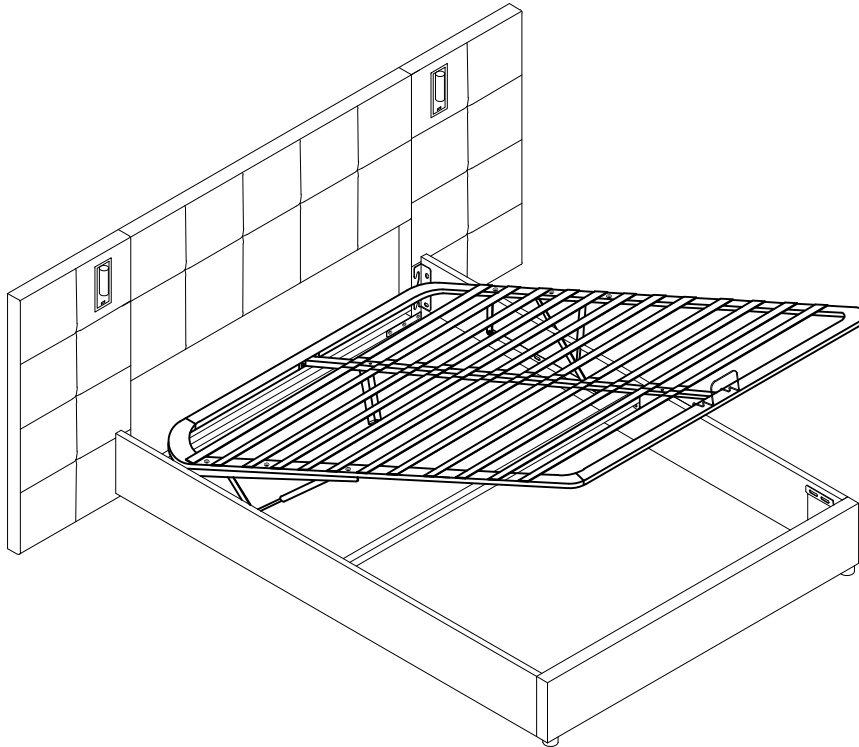


Installation sanleitung Installation Instruction Instruction d'installation

SKU:N606P293179/N606P293180



DE:Unser Produkt wird Ihnen in 2 Paketen geliefert. Die Lieferzeiten dieser 2 Pakete können abweichen, bitte haben Sie etwas Geduld und vielen Dank für Ihr Verständnis.

UK:Our product will be delivered to you in 2 packages. The delivery times of these 2 packages may differ, please be patient and thank you for your understanding.

FR:Notre produit vous sera livré en 2 colis. Les délais de livraison de ces 2 colis peuvent différer, soyez patient et merci pour votre compréhension.

**UK
CA**



English

IMPORTANT FOR GAS LIFT BEDS&MAINTAINCE

- Please place the mattress on top of the bed frame.
- Please do not pull on the strap handles.
- Please press heavily to release the compressed gas.
- Periodically check all screw & fixings to ensure they are secure.
- When moving your product, carefully lift into place.
- Wipe clean with a slightly damp cloth- please do not use abrasive chemicals or bleach.
- Do NOT allow children to operate the lift mechanism.
- Do NOT allow children near the lift base when operating the mechanism.
- Do NOT stand inside the bed or the internal storage base.
- Do NOT overload the internal storage base.
- DO NOT jump on the product or any of its parts.

Deutsch

WICHTIG FÜR GASLIFT-BETTEN&WARTUNG

- Bitte legen Sie die Matratze oben auf den Bettrahmen.
- Bitte ziehen Sie nicht an den Gurtgriffen.
- Bitte drücken Sie kräftig, um das komprimierte Gas freizusetzen.
- Überprüfen Sie regelmäßig alle Schrauben und Befestigungen, um sicherzustellen, dass sie sicher sind.
- Wenn Sie Ihr Produkt bewegen, heben Sie es vorsichtig an seinen Platz.
- Mit einem leicht feuchten Tuch abwischen - bitte keine scheuernden Chemikalien oder Bleichmittel verwenden.
- Erlauben Sie Kindern NICHT, den Hebemechanismus zu bedienen.
- Lassen Sie Kinder NICHT in die Nähe des Liftsockels, wenn Sie den Mechanismus bedienen.
- Stellen Sie sich NICHT in das Bett oder in die Innenablage.
- Überlasten Sie den internen Liftsockel NICHT.
- Springen Sie NICHT auf das Produkt oder eines seiner Teile.

Français

IMPORTANT POUR LES LITS À RELEVAGE DE GAZ&MAINTENANCE

- Veuillez placer le matelas sur le dessus du cadre de lit.
- Ne tirez pas sur les poignées de la sangle.
- Appuyez fortement pour libérer le gaz comprimé.
- Vérifiez régulièrement que toutes les vis et fixations sont bien en place.
- Lorsque vous déplacez votre produit, soulevez-le avec précaution pour le mettre en place.
- Nettoyez avec un chiffon légèrement humide - n'utilisez pas de produits chimiques abrasifs ou d'eau de Javel.
- Ne laissez pas les enfants utiliser le mécanisme de levage.
- Ne laissez pas les enfants s'approcher de la base de levage lorsqu'ils actionnent le mécanisme.
- Ne vous tenez PAS à l'intérieur du lit ou de la base de stockage interne.
- Ne surchargez pas la base de stockage interne.
- Ne pas sauter sur le produit ou l'une de ses parties.

Italiano

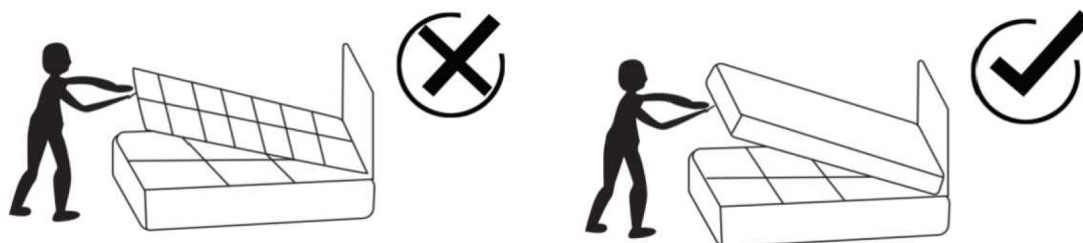
IMPORTANTE PER I LETTI CON SOLLEVAMENTO A GAS E LA MANUTENZIONE

- Posizionare il materasso sopra la struttura del letto.
- Non tirare le maniglie della cinghia.
- Premere con forza per rilasciare il gas compresso.
- Controllare periodicamente tutte le viti e i fissaggi per assicurarsi che siano saldi.
- Quando si sposta il prodotto, sollevarlo con cautela.
- Pulire con un panno leggermente umido, senza usare prodotti chimici abrasivi o candeggina.
- NON permettere ai bambini di azionare il meccanismo di sollevamento.
- NON permettere ai bambini di avvicinarsi alla base di sollevamento quando si aziona il meccanismo.
- NON sostare all'interno del letto o della base di contenimento interna.
- NON sovraccaricare la base di contenimento interna.
- NON saltare sul prodotto o sulle sue parti.

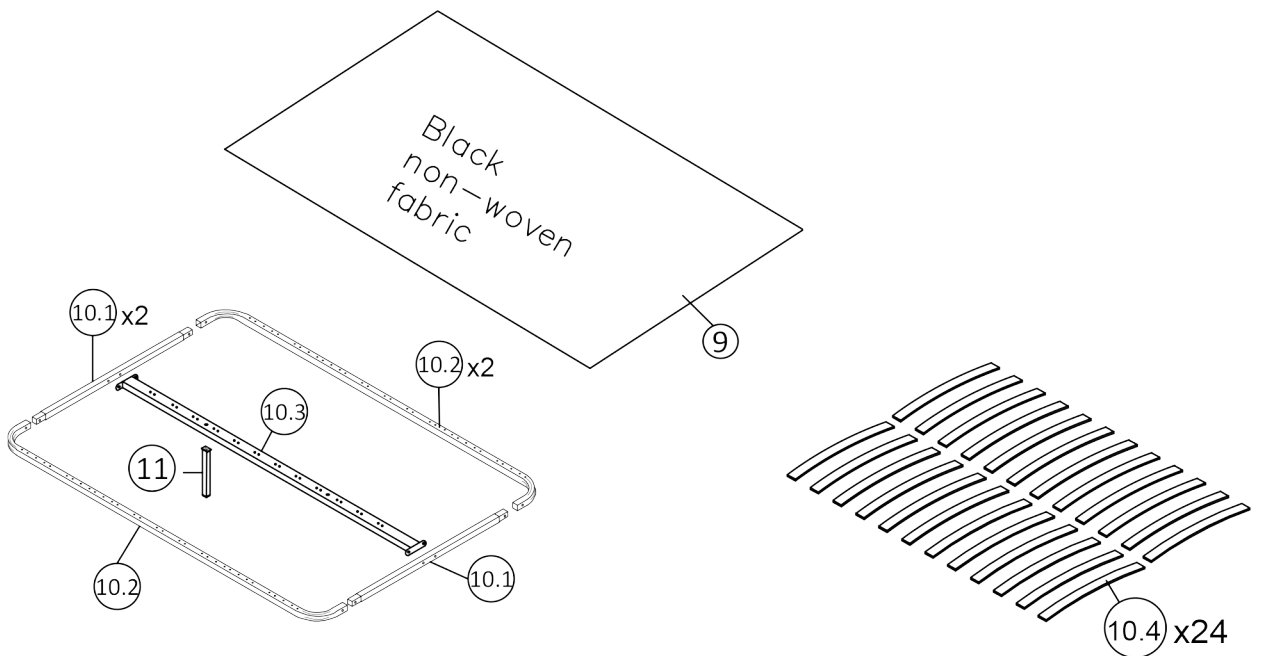
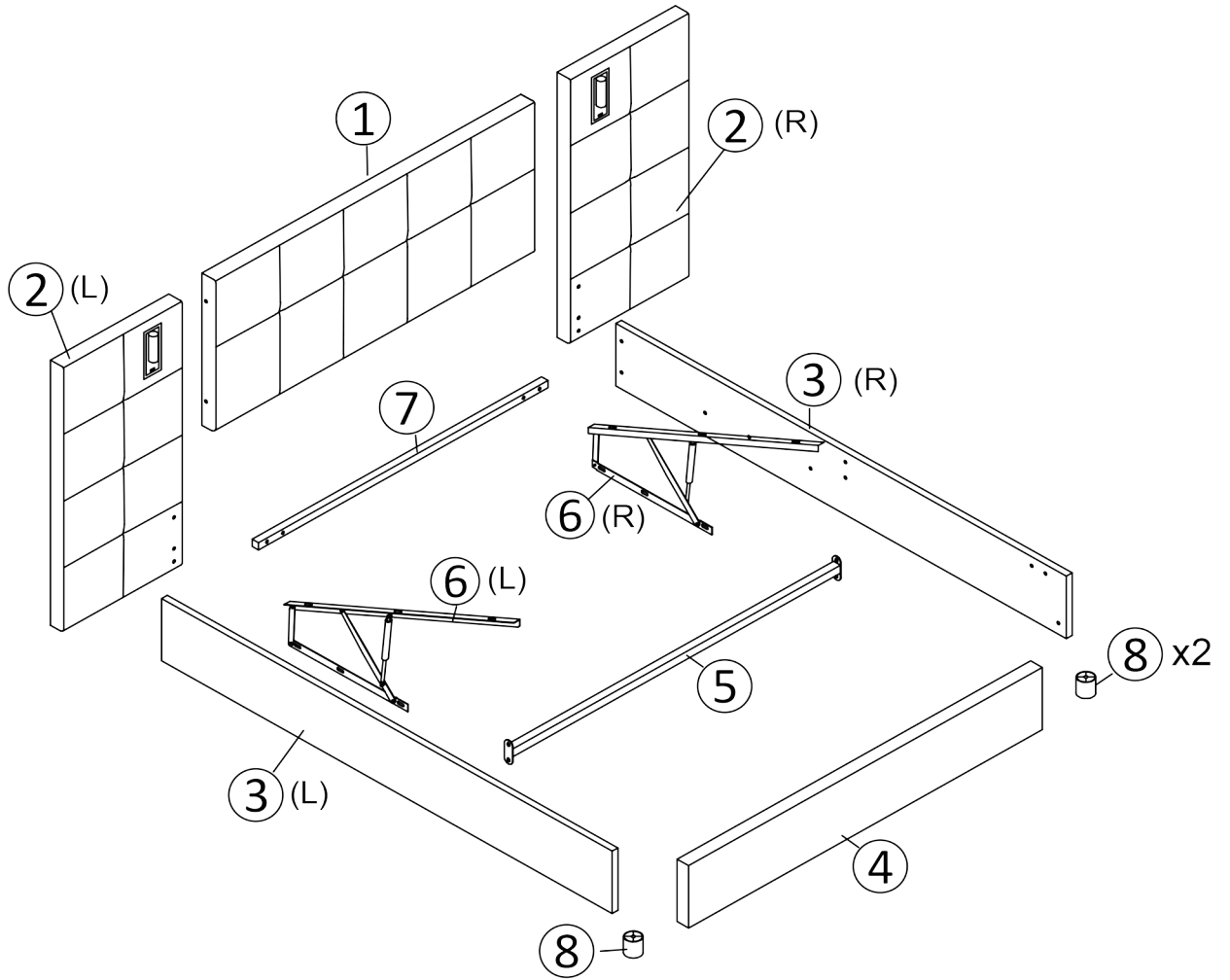
Español

IMPORTANTE PARA LAS CAMAS ELEVADORAS DE GAS & MANTENIMIENTO

- Coloque el colchón sobre el somier.
- No tire de las asas de la correa.
- Presione con fuerza para liberar el gas comprimido.
- Compruebe periódicamente que todos los tornillos y fijaciones estén bien sujetos.
- Al mover el producto, levántelo con cuidado para colocarlo en su sitio.
- Limpie con un paño ligeramente humedecido; no utilice productos químicos abrasivos ni lejía.
- NO permita que los niños accionen el mecanismo de elevación.
- NO permita que los niños se acerquen a la base elevadora cuando accionen el mecanismo.
- NO se ponga de pie dentro de la cama o de la base de almacenamiento interna.
- NO sobrecargue el somier.
- NO salte sobre el producto ni sobre ninguna de sus piezas.

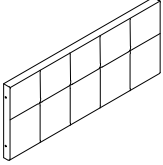
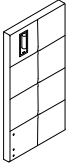

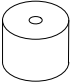
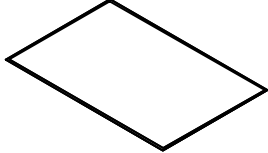



Detail View



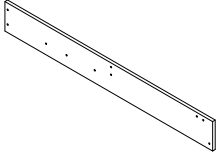
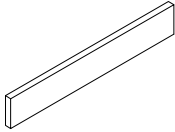
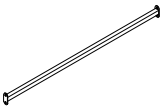
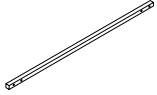
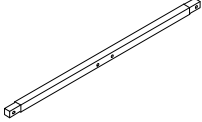
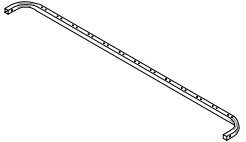
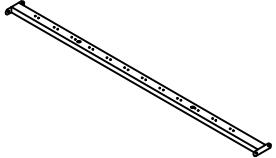
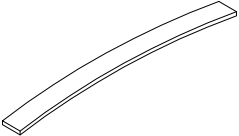
Part List

Hardware List+N606P293179

<p>1</p>  <p>Head board -1pc</p>	<p>2</p>  <p>Side head board -2pcs</p>	<p>6</p>  <p>Gas lift -2pcs</p>
<p>8</p>  <p>Legs -2pcs</p>	<p>9</p>  <p>Non woven fabric -1pc</p>	<p>11</p>  <p>Non woven fabric -1pc</p>






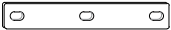
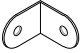
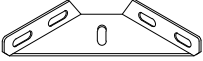
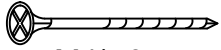
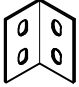




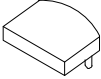
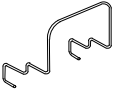
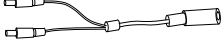

Part List

N606P293180

<p>3</p>  <p>Side rails -2pcs</p>	<p>4</p>  <p>Foot board -1pc</p>	<p>5</p>  <p>Cross bar -1pc</p>
<p>7</p>  <p>Head board cross bar -1pc</p>	<p>10.1</p>  <p>Metal frame cross bar-2pcs</p>	<p>10.2</p>  <p>Metal frame side bar-2pcs</p>
<p>10.3</p>  <p>Metal frame middle bar-1pc</p>	<p>10.4</p>  <p>Slat-24pcs</p>	

Hardware List

N606P293179

<p>A x1</p>  <p>Allen Key</p>	<p>B x19</p>  <p>M8x45mm</p> <p>Bolts</p>	<p>C x2</p>  <p>Hinge</p>
<p>D x38</p>  <p>M8x18mm</p> <p>Bolts</p>	<p>E x4</p>  <p>M8</p> <p>Washer</p>	<p>F x2</p>  <p>Three hole iron</p>
<p>G x2</p>  <p>Little "7" Connector</p>	<p>H x2</p>  <p>Metal Corner</p>	<p>I x2</p>  <p>M4*50mm</p> <p>Nails</p>
<p>J x1</p>  <p>"7" Connector</p>	<p>K x4</p>  <p>Nuts</p>	<p>L x1</p>  <p>Spanner</p>
<p>M x14</p>  <p>M8</p> <p>Nuts</p>	<p>N x12</p>  <p>Middle slats cap</p>	<p>O x24</p>  <p>End slats cap</p>
<p>P x1</p>  <p>Stopper</p>	<p>Q x1</p>  <p>Power line</p>	<p>R x1</p>  <p>Power adapter</p>

DE: Vor dem Einbau die Schrauben in die Löcher stecken und festziehen, aber nicht bis 100%, 70% bis 80% anziehen reicht aus. Schließlich, nachdem alle Schrauben installiert sind, ziehen Sie alle Schrauben auf 100%.

Wenn Sie auf diese Probleme stoßen, wie z. B. Fehlausrichtung der Löcher oder Unfähigkeit, bestimmte Teile zu installieren, überprüfen Sie bitte, ob die Schrauben korrekt verwendet werden und passen Sie die Dichtigkeit der Schrauben an.

UK: Before installation, insert the screws into the holes and tighten them, but do not tighten them to 100%, 70% to 80% is sufficient. Finally, after all screws are installed, tighten all screws to 100%.

If you encounter these issues, such as if the holes cannot be aligned or some parts cannot be installed, please check if the screws are used correctly and adjust the tightness of the screws.

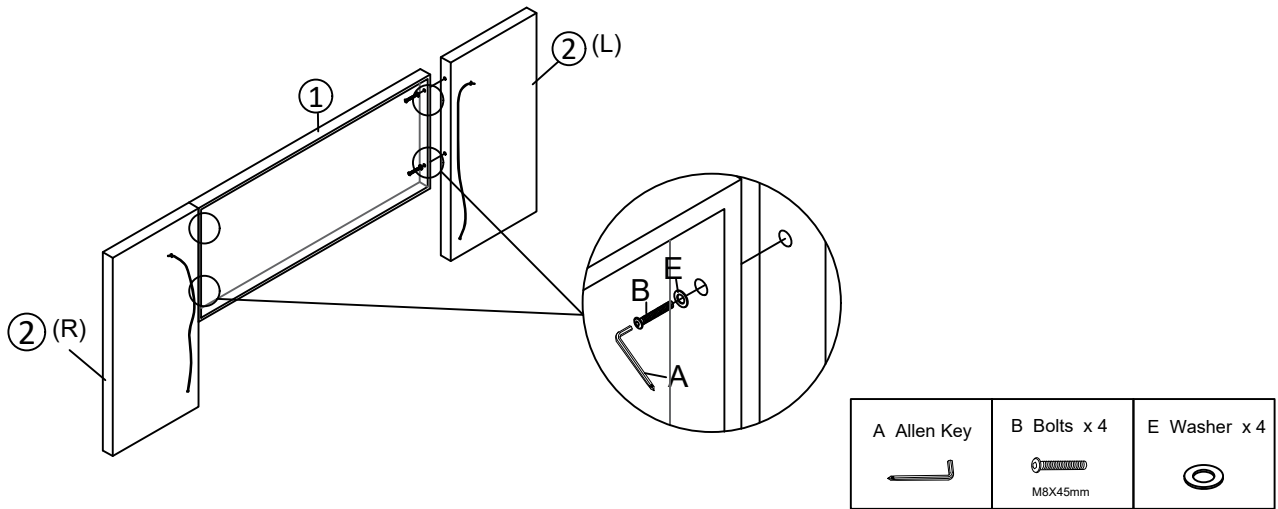
FR: Insérer la vis dans le trou avant la fin de l'assemblage, serrer la vis, mais ne pas serrer à 100%, 70% ~ 80% est correct. Enfin, une fois que toutes les vis sont bien serrées, toutes les vis sont serrées à 100%.

Si vous rencontrez ces problèmes, par exemple si les trous ne sont pas alignés ou si certaines pièces ne peuvent pas être montées, vérifiez que les vis sont utilisées correctement et Ajustez leur serrage.

Attention: Do not tighten the screws before completing the entire installation. If you have any difficulty with the installation process, please feel free to contact us.

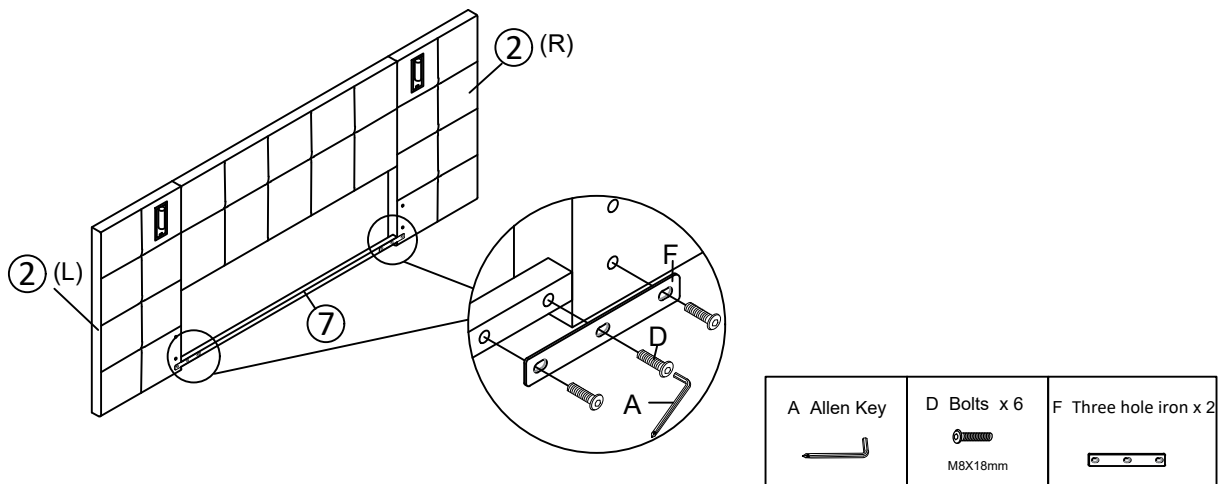
Step 1

Fix the side headboard ② to the headboard ① with Bolts B and Washers E by using Allen key A



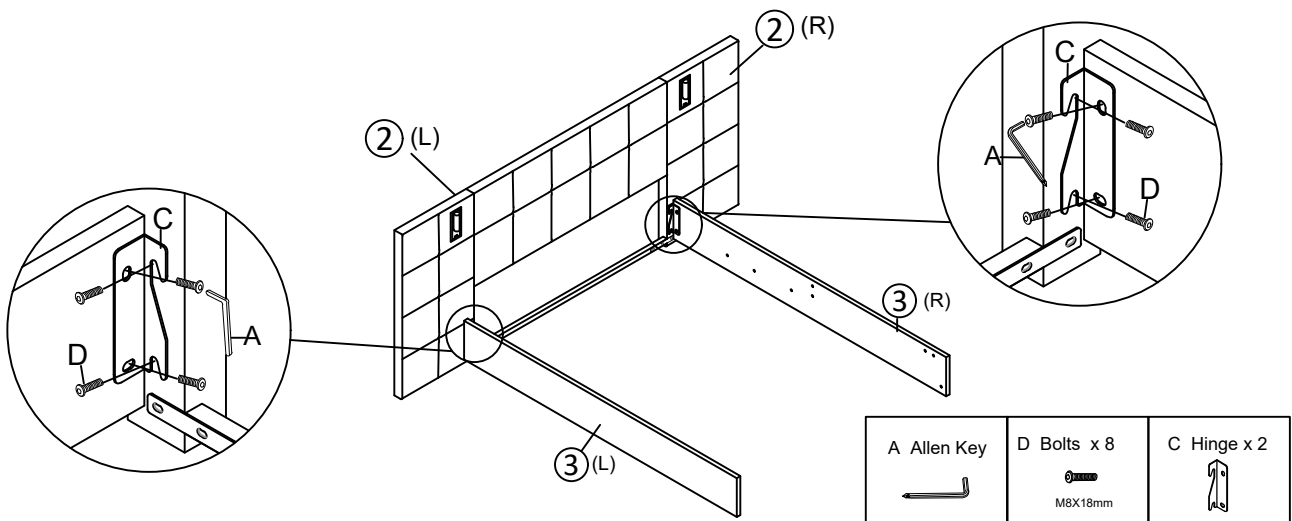
Step 2

Fix the headboard cross bar ⑦ to the side headboard ② with Bolts D and Three hole iron F by using Allen key A



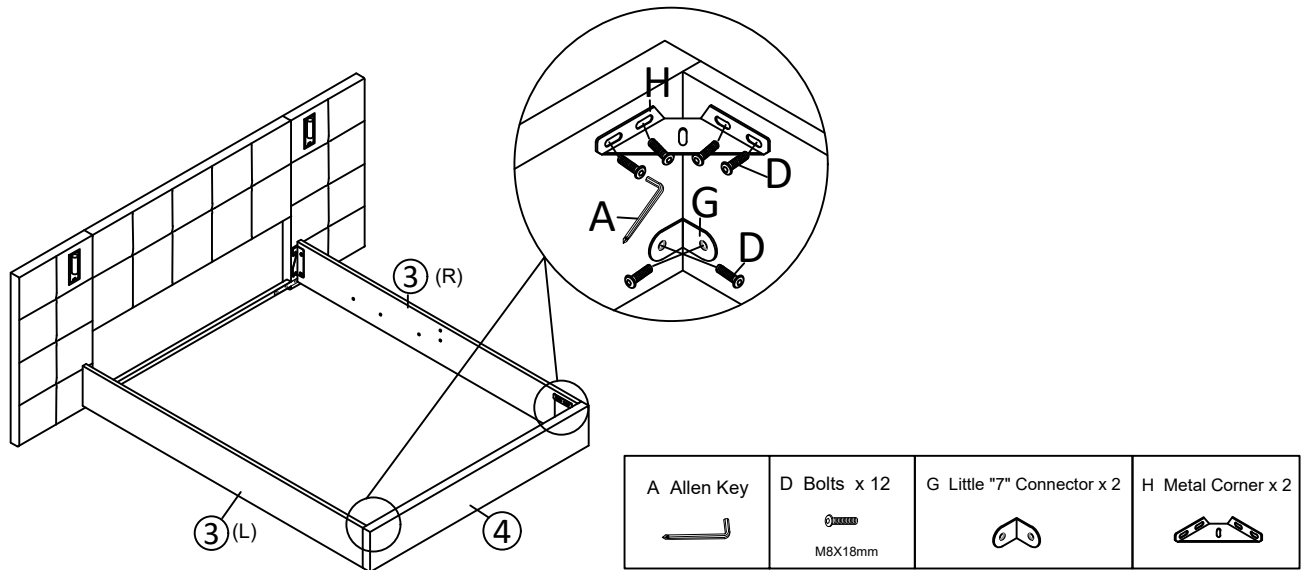
Step 3

Fix the side rails ③ to the side headboard ② with Bolts D and Hinges C by using Allen key A



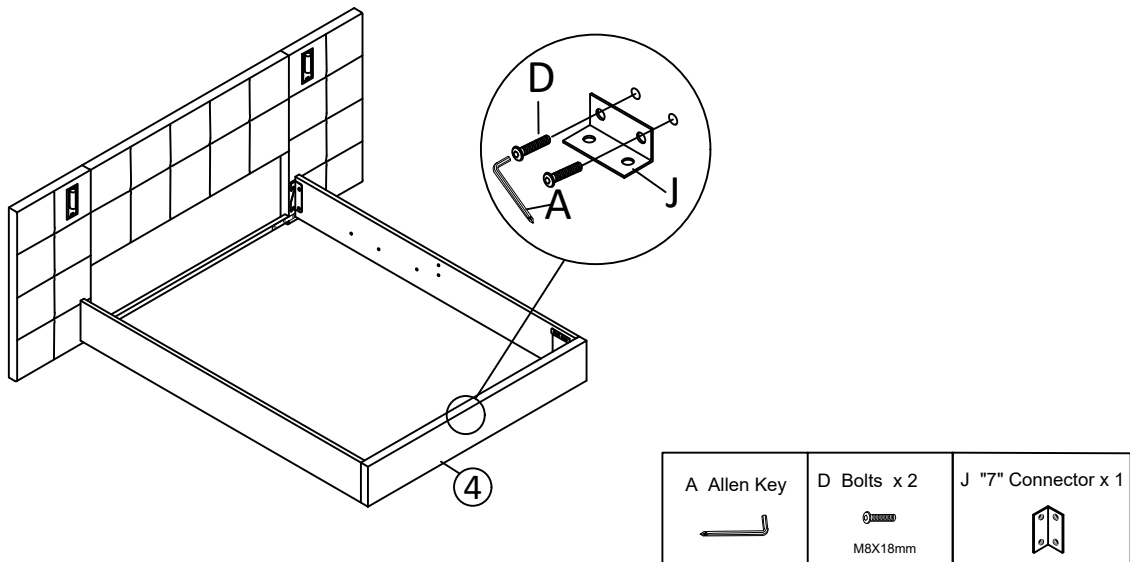
Step 4

Fix the Siderails ③ to the footboard ④ with Metal corner H, Little "7" Connector G and Bolts D by using Allen key A.



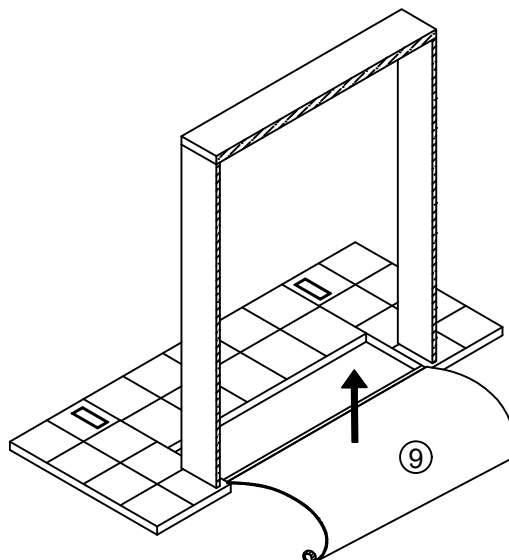
Step 5

Fix the "7" Connector J to the footboard ④ with with Bolts D by using Allen key A.



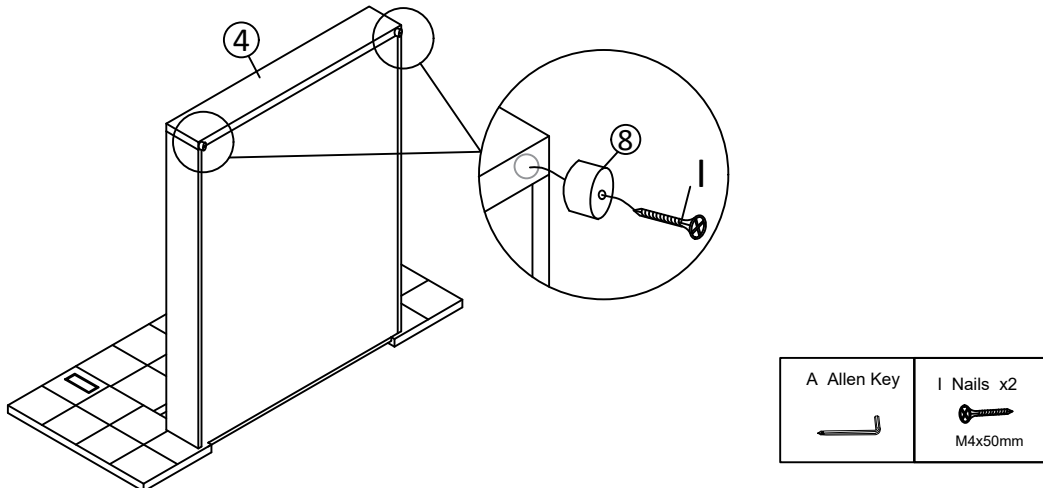
Step 6

Stick the black non-woven fabric ⑨ To the bottom of the bed .



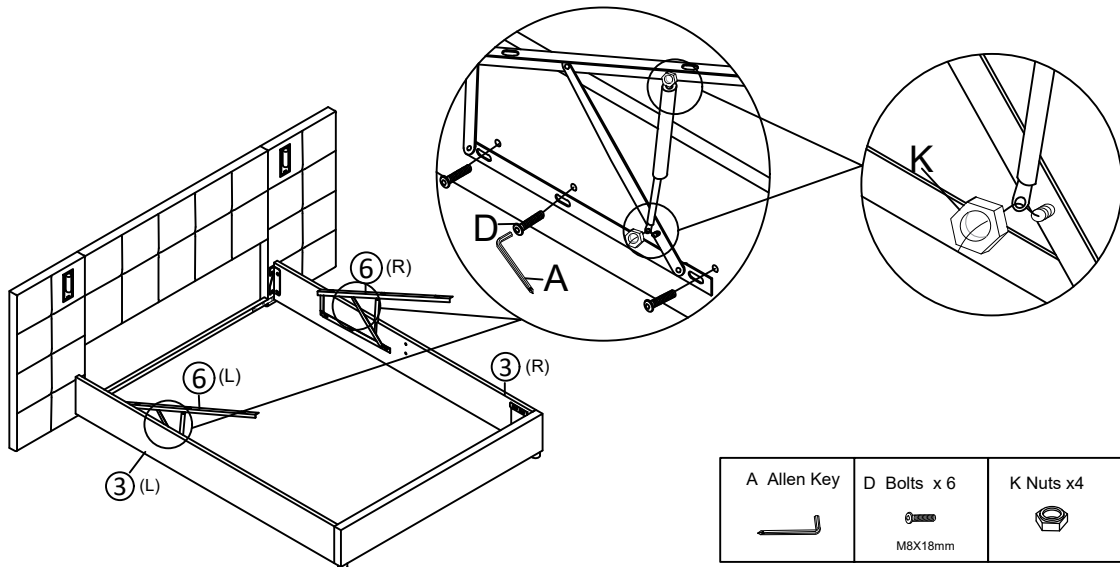
Step 7

Fix the legs ⑧ to the bottom of footboard ④ with nails I by using electric drill or screw driver



Step 8

Fix the gas lifts ⑥ to the Siderails ③ with Blots D by using Allen Key A or electric drill. fix the gas bar to the gas lifts ⑥ with Nuts K.

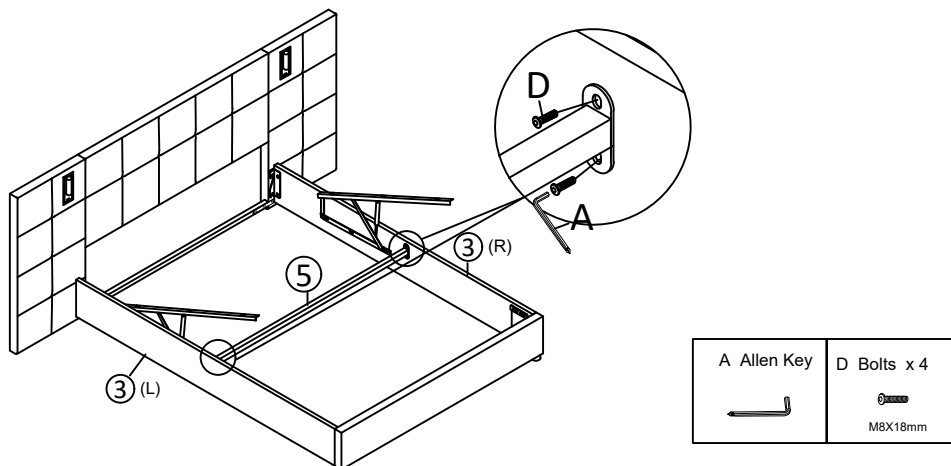


NOTICE:

The hole on the gas list is oval, please make sure that Please ensure that the installation positions on the left and right are roughly the same, if you accidentally install the gas lift one side to the front and the other to the back, which affects your use, you can write it down and reinstall it.

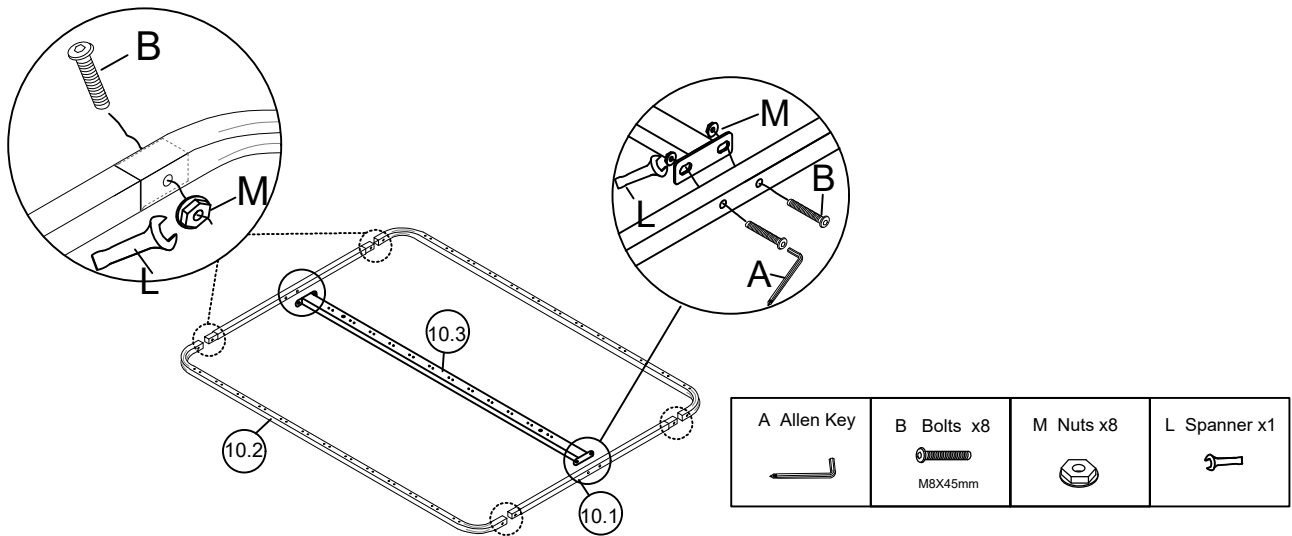
Step 9

Fix the cross bar ⑤ to the Siderails ③ with Bolts D by using Allen Key A.



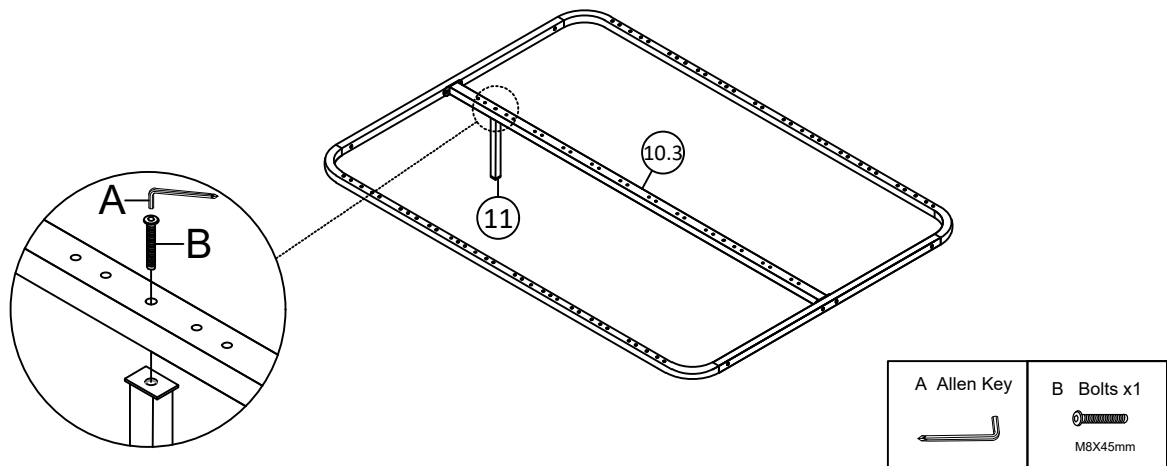
Step 10

Assemble the slats frame with Bolts B and Nuts M by using Spanner L and Allen Key A.



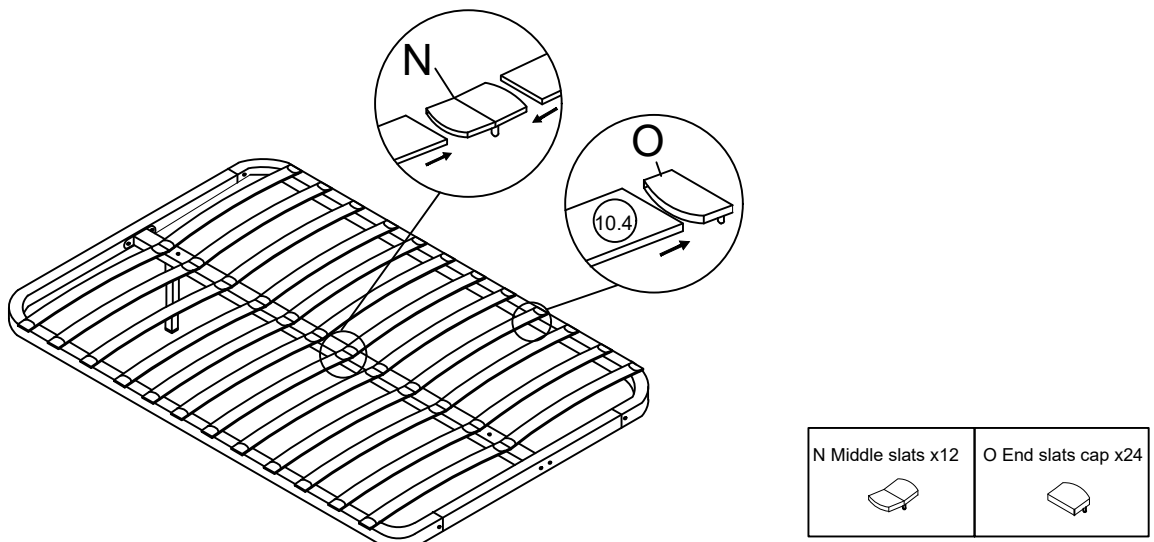
Step 11

Fix the Middle support leg 11 to the Metal frame middle bar 10.3 with Bolts B by using Allen Key A.



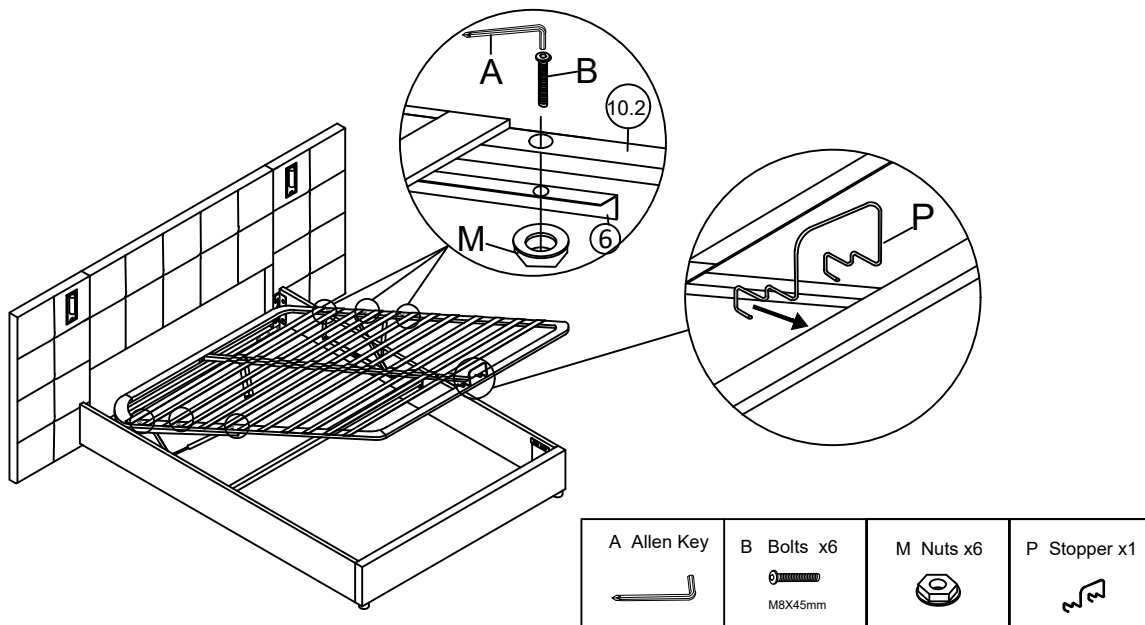
Step 12

Assemble the slats into the assembled slats frame with middle slats cap N and end slats cap O.



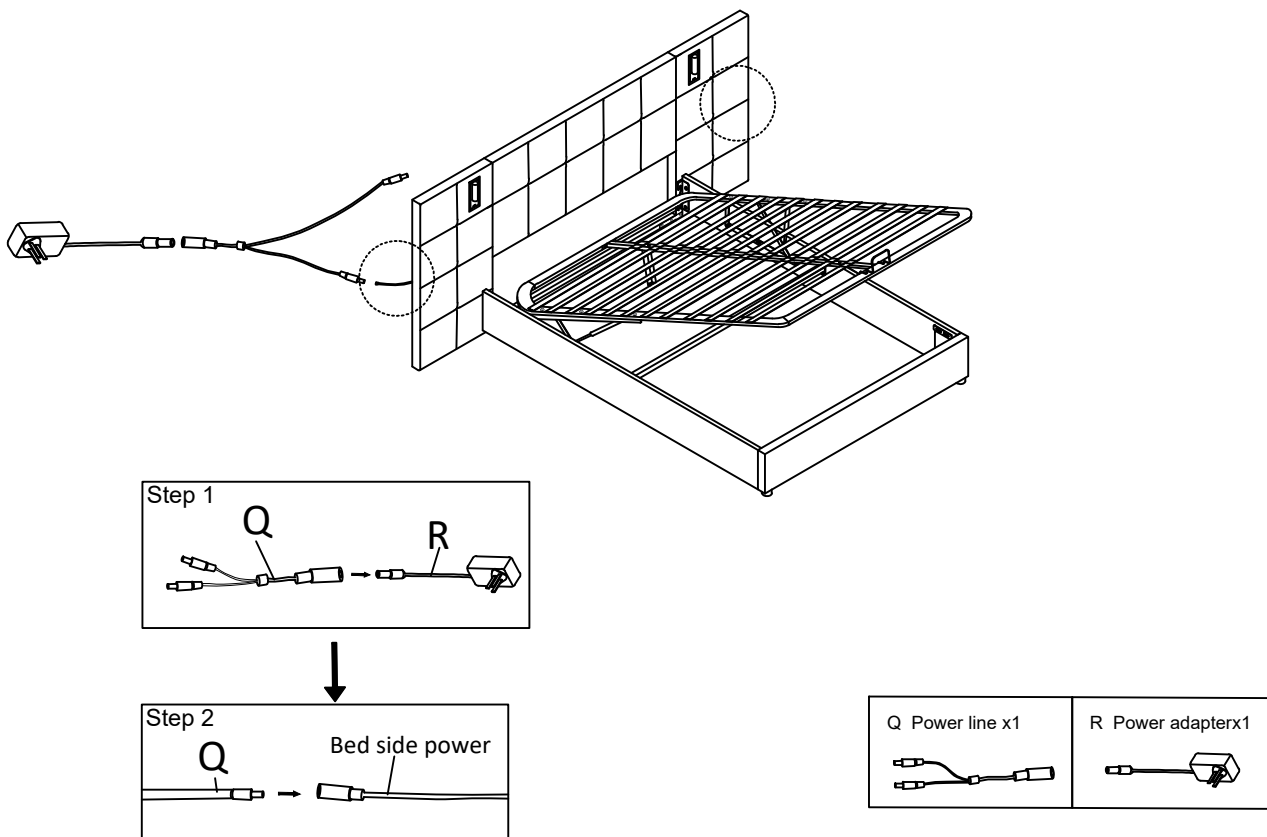
Step 13

Assemble the slats frame to the gas lifts ⑥ with bolts B and nuts M, put the stopper P in the end of the slat frame, now please tighten all hardware, then assembly is finished.



Step 14

At first connect the Power adapter R to the Power line Q, then connect the Power line Q to the line of reading lamp. At last connect the power and enjoy your bed.



Certificate of Compliance

Certificate No. : CTICAAG13242512053115DC
Applicant : Zhongshan Yueshi Lighting Co., Ltd
2nd Floor, 5th Floor, Changfeng Street, Gangdong Meiliwei Industrial
Zone, Guzhen Town, Zhongshan City
Manufacturer : Zhongshan Yueshi Lighting Co., Ltd
2nd Floor, 5th Floor, Changfeng Street, Gangdong Meiliwei Industrial
Zone, Guzhen Town, Zhongshan City
Product Name : LED wall lamp
Trade Name : /
Main Test Model : B8008
Additional models : BA8002,BA8003,BA8004,BA8005,BA8006,BA8007,BA8008,BA
8009,BA8010,B8001,B8002,B8003,B8004,B8005,B8006,B8007
,B8009,B8010,B8011,B8012,B8013,B8014,B8015,B8016,B801
7,B8018,B8019,B8020,B8021,B8022,B8023,B8024,B8025
Test Standard : BS EN IEC 55015:2019+A11:2020
BS EN 61547:2009
BS EN IEC 61000-6-1:2019
BS EN IEC 61000-3-2:2019/A1:2021
BS EN 61000-3-3:2013/A1:2019/A2:2021
As shown in the :
Test Report No. : CTICAAG13242512053115DR

The EUT described above has been tested by use with the listed standards and found in compliance with the council EMC directive 2014/30/EU. It is possible to use UKCA marking demonstrate the compliance with this EMC Directive.



**UK
CA**

Christina Deng
Manager
May 31, 2024

CTIC Testing Group (Guangdong) Co, Ltd.

Add:201, Building A1, Lilang International Jewelry Industrial Park, No.31, BulanRoad, Xialilang Community, Nanwan Street, Longgang District, Shenzhen.Guangdong, China

Certificate Search: Tel: 400-6800-890, <http://www.ctic-lab.com>, <mailto:christina@ctic-lab.com>



CERTIFICATE OF CONFORMITY

Low Voltage Directive 2014/35/EU

Registration No.: NTC2306249SV00

Applicant : Shenzhen Quanzhengtong Technology Co., Ltd
Address : 402.NO.102, Zhangbei Avenue, Zhangbei Community, Longcheng Street, Longgang District, Shenzhen City, Guangdong, Province, China

Manufacturer : Shenzhen Quanzhengtong Technology Co., Ltd
Address : 402.NO.102, Zhangbei Avenue, Zhangbei Community, Longcheng Street, Longgang District, Shenzhen City, Guangdong, Province, China

Factory : Shenzhen Quanzhengtong Technology Co., Ltd
Address : 402.NO.102, Zhangbei Avenue, Zhangbei Community, Longcheng Street, Longgang District, Shenzhen City, Guangdong, Province, China

Product Name : AC/DC ADAPTER

Brand Name : No trade mark

Identification : **Model No.** : QZT-xxxxxyyyAB (“xxx“, “yyy“, see table A in page 5 for details)
Rating : **Input** : 100-240V~ 50/60Hz, 0.5A MAX
Output : see table B in test report's page 6 for details

Standard : BS EN 62368-1:2014+A11:2017

**UK
CA**



Ryan Luo
July 15, 2023

The certificate of conformity is based on an evaluation of a sample of the above-mentioned product. Technical report and documentation are at the applicant's disposal. This is to certify that the tested sample is in conformity with all provisions of Annex I of Council Directive 2014/35/EU, referred to the Low Voltage Directive. The certificate does not imply assessment of the production and does not permit the use of Lab's logo.

Nore
Testing Center