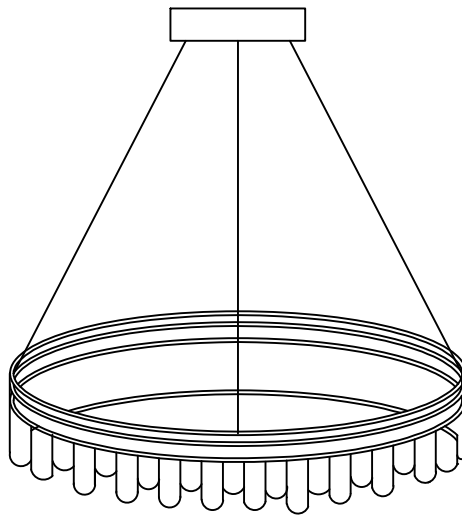
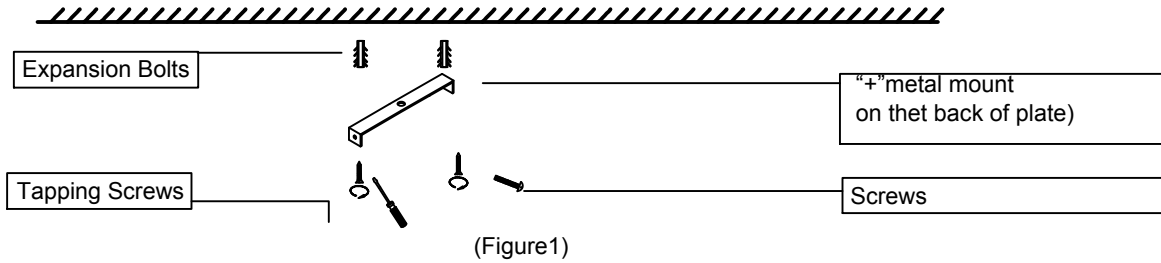
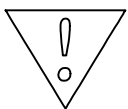


INSTALLATION INSTRUCTION

Please watch the installation video on the details page



Installation Steps:



Warning!

- 1) Please install by professional.
- 2) The voltage available for 110–260V only.
- 3) Don't install the lighting fixture under moist condition.
- 4) Please switch off the power when you cleaning the lighting fixture.
- 5) Keep away from acidic & corrosive material.