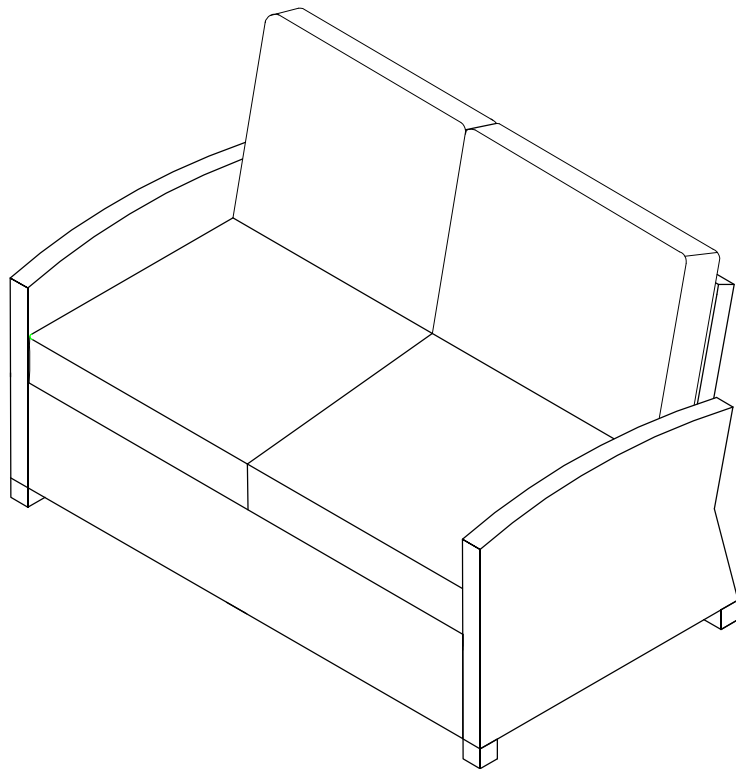


## Outdoor Wicker Loveseat



Congratulations! You have purchased a stylish piece of us . We strive to provide fine furniture products, built with quality materials and hand finished details. Please carefully follow the assembly instructions to ensure your furniture is assembled correctly to provide long lasting enjoyment.

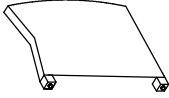
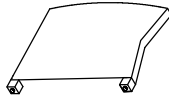


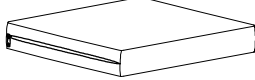



Our Products are warranted against defects in material and workmanship for a period of 90 days beginning from the date of sale.

**Should you experience any damaged, defective, or missing parts, or need help with assembly, please call us directly before contacting the retailer.**

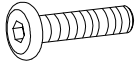
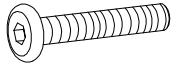
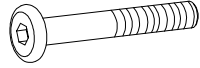
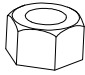

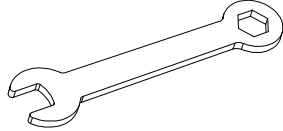
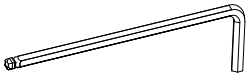
Our customer service agents are available or for support online, visit our "Contact Us" page

Please see included Care and Maintenance Instructions for this Product.

## PART LIST

 Left Arm Panel		 Right Arm Panel		 Back Panel	
A	1PC	B	1PC	C	1PC
 Seat Panel		 Cover Of Seat Cushion		 Inner Of Seat Cushion	
D	1PC	E	2PCS	F	2PCS
 Cover Of Back Cushion		 Inner Of Back Cushion			
G	2PCS	H	2PCS		

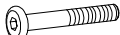
## HARDWARE LIST

 Short Bolt(M6*40mm)		 Medium Bolt(M6*55mm)		 Long Bolt(M6*65mm)	
I	2PCS	J	4PCS	K	7PCS
 Nut(M6mm)		 Washer(M6mm)		 Wrench(M6mm)	
L	7PCS	M	20PCS	N	1PC
 Allen Key(M6mm)					
O	1PC				

## EXTRA HARDWARE LIST

 I X1PC

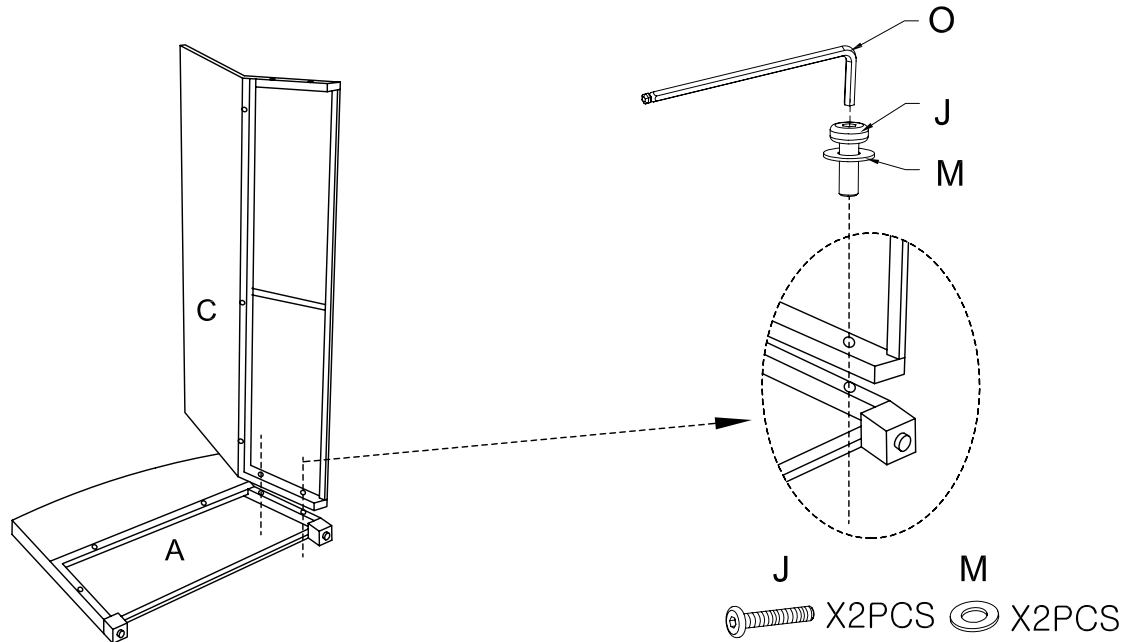
 J X1PC

 K X2PCS

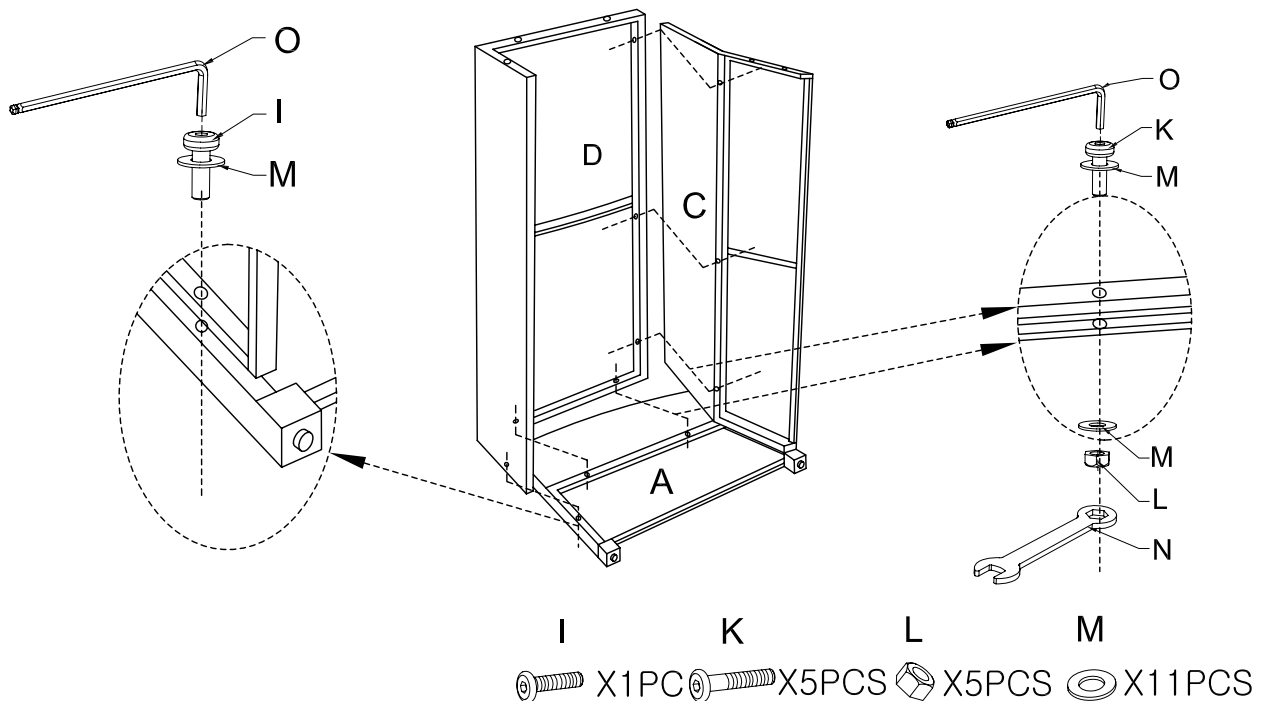
 L X2PCS

 MX3PCS

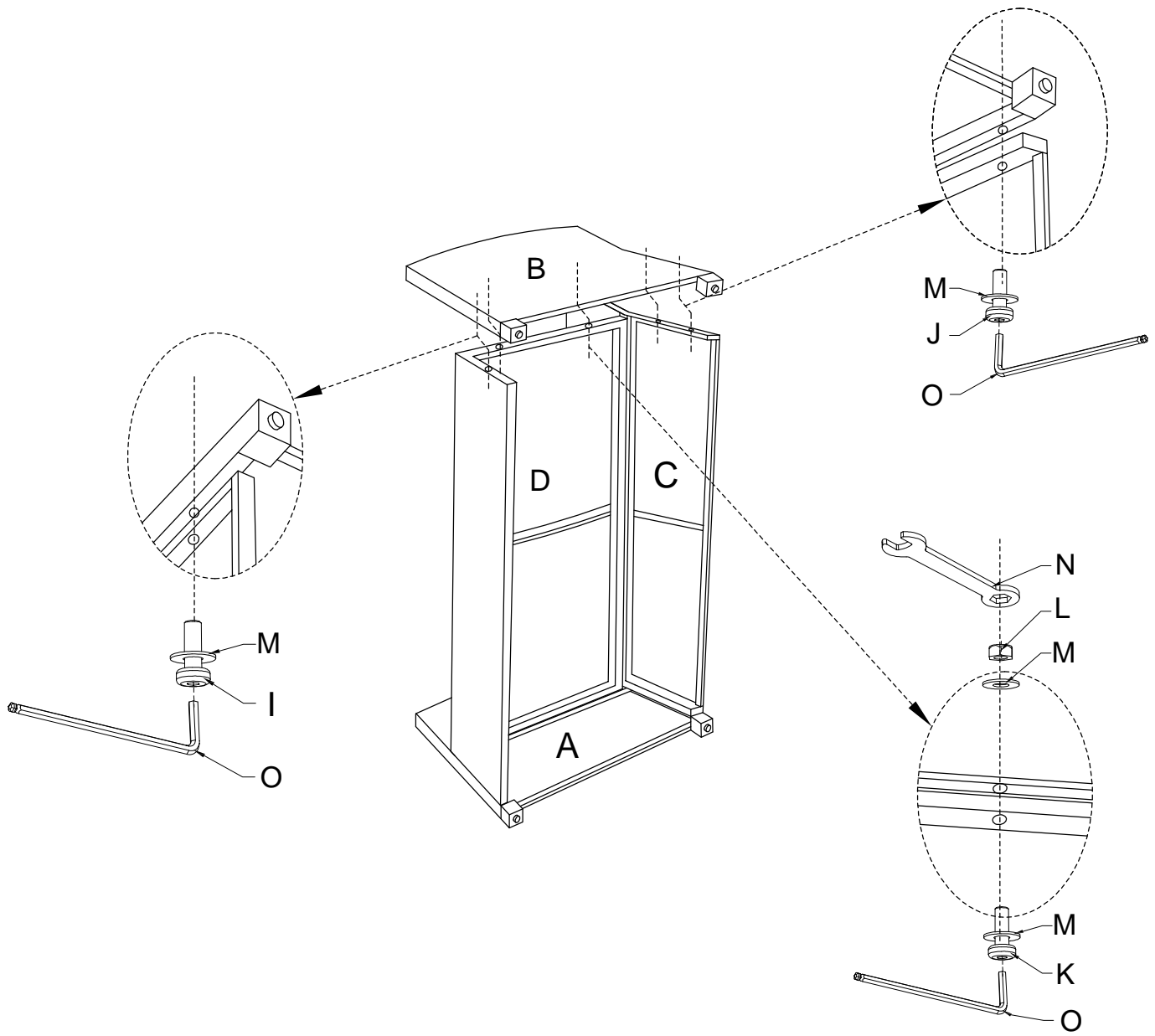
**Step 1.** Lay Left Arm Panel (A) down on a flat surface. Attach Back Panel(C) to Left Arm Panel(A) using the Medium Bolts(J), Washers(M) & Allen Key (O).  
 NOTE: Please do not fully tighten bolts until unit is fully assembled.



**Step 2.** Attach Seat Panel(D) to Left Arm Panel(A) and Back Panel (C) using the Short Bolts(I), Long Bolts( K), Washers(M), Nuts(L), Wrench (N) & Allen Key (O).

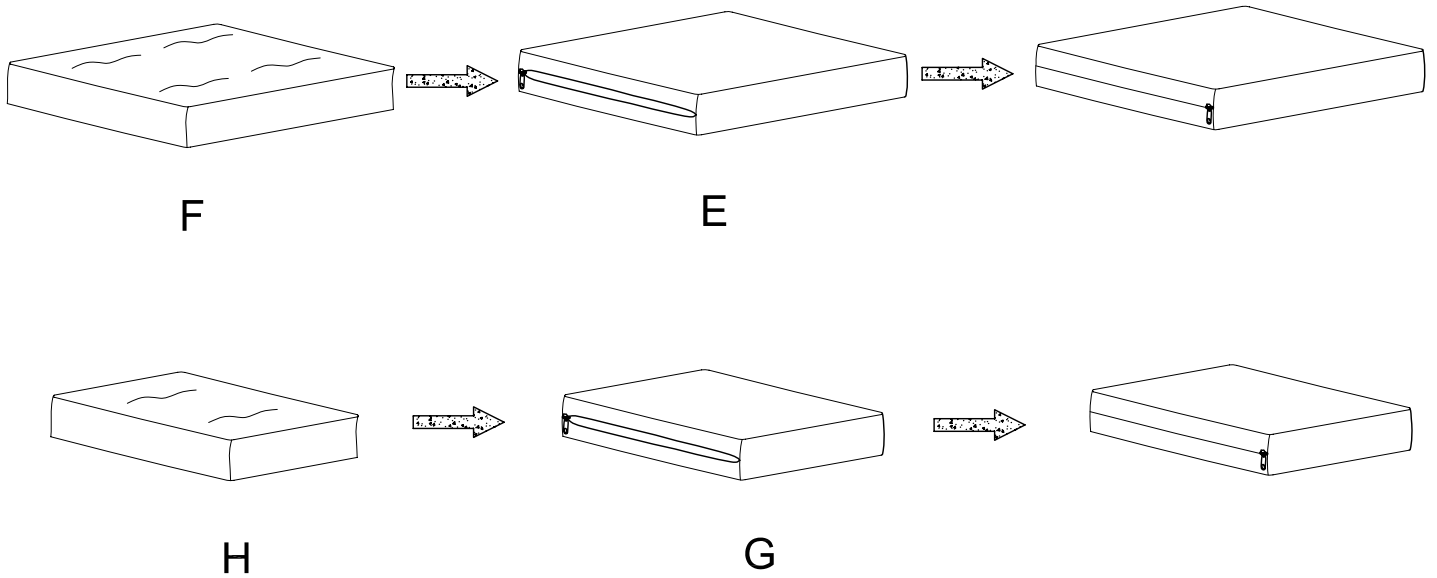


**Step 3.** Attach Right Arm Panel(B) to assembled parts(A,C&D) using Short Bolts (I),Medium Bolts (J),Long Bolts ( K ),Washers ( M ), Nuts ( L ),Wrench ( N ) and Allen Key ( O ) .

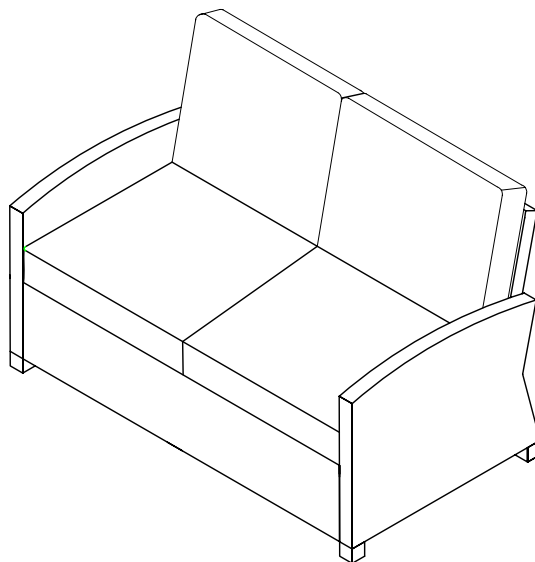


- |  |   |   |   |  |
|--|---|---|---|--|
| I  | J   | K   | L   | M  |
|  X1PC |  X2PCS |  X2PCS |  X2PCS |  X 7PCS |

**Step 4.** Insert Inner Of Seat Cushion (F) into Cover Of Seat Cushion (E).  
Insert Inner Of Back Cushion (H) into Cover Of Back Cushion (G).



**Step 5.** Place Seat Cushion and Back Cushion on the loveseat.



## Limited Manufacturers Warranty

Our Products are warranted against defects in material and workmanship for a period of 90 days beginning from the date of sale.

**Should you experience any damaged, defective, or missing parts, or need help with assembly, please call us directly before contacting the retailer.**

Our customer service agents are available or for support online, visit our page

This warranty gives the purchaser specified legal rights in addition to any rights which may vary from state to state. In accordance with the "Moss-Magnuson Warranty Act" of July 10th, 1975, this is termed a "limited warranty" which in no way compromises our high standards of Quality and Workmanship.