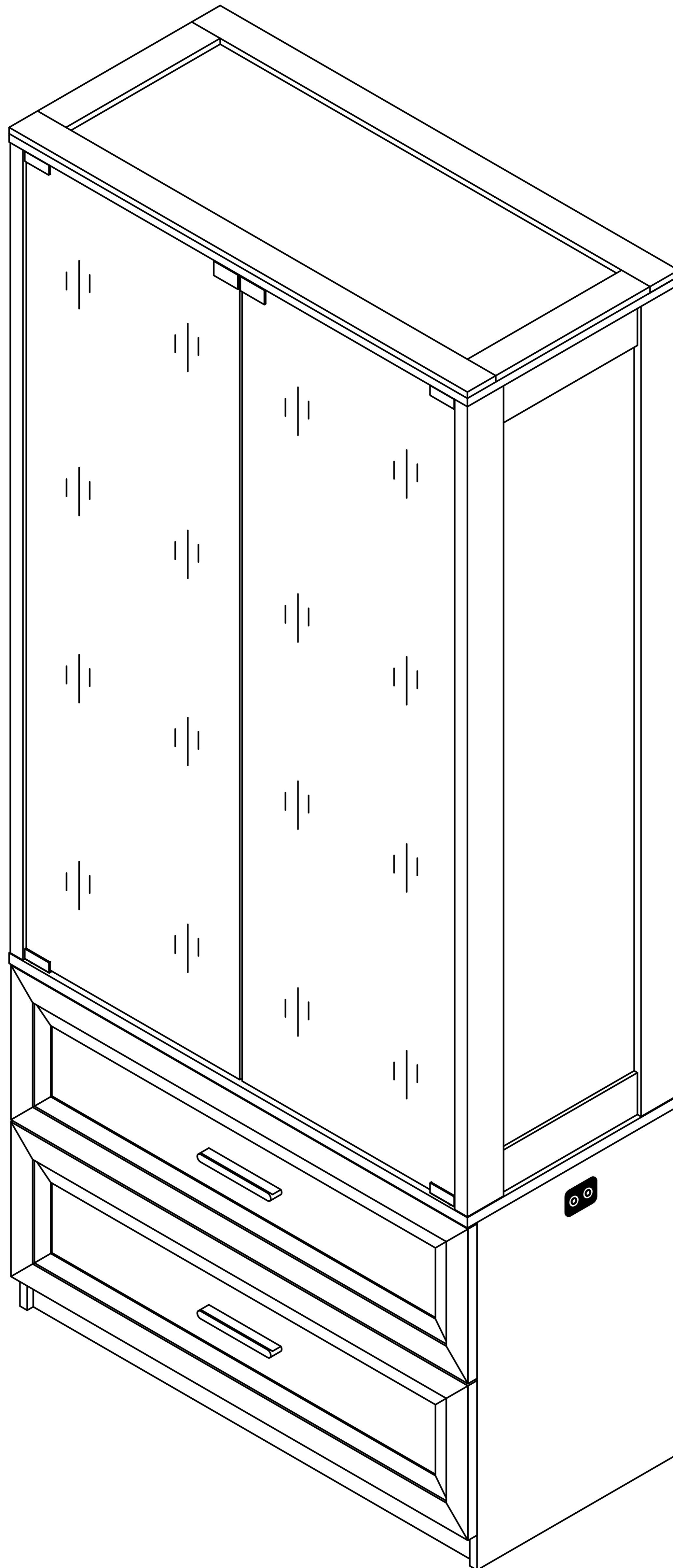
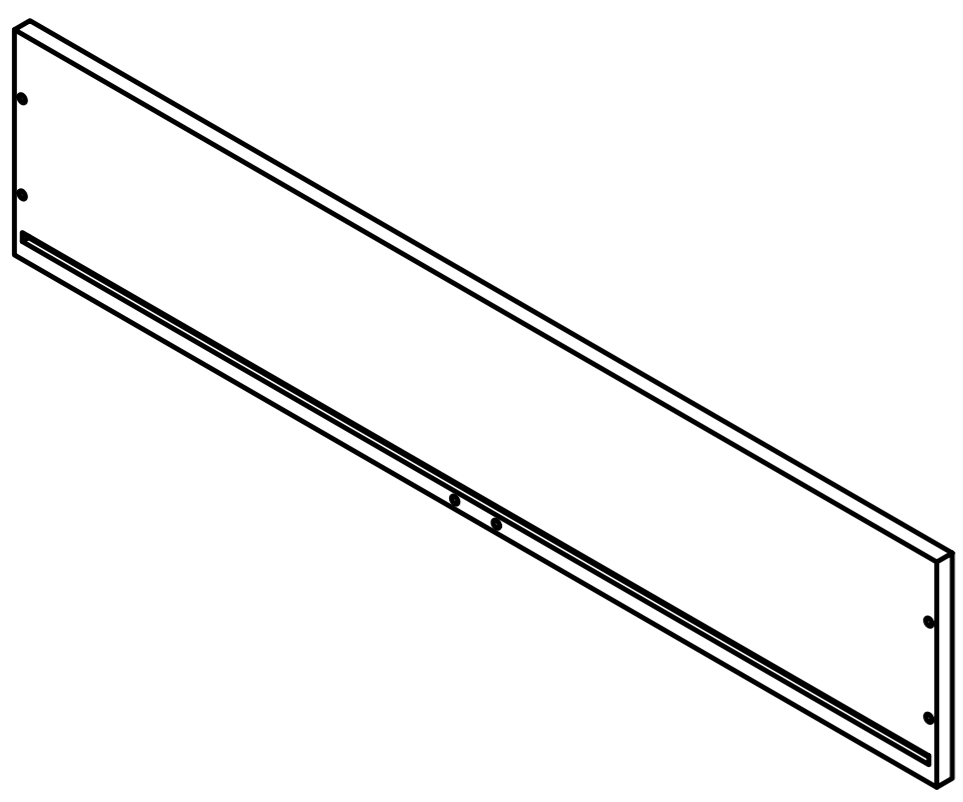
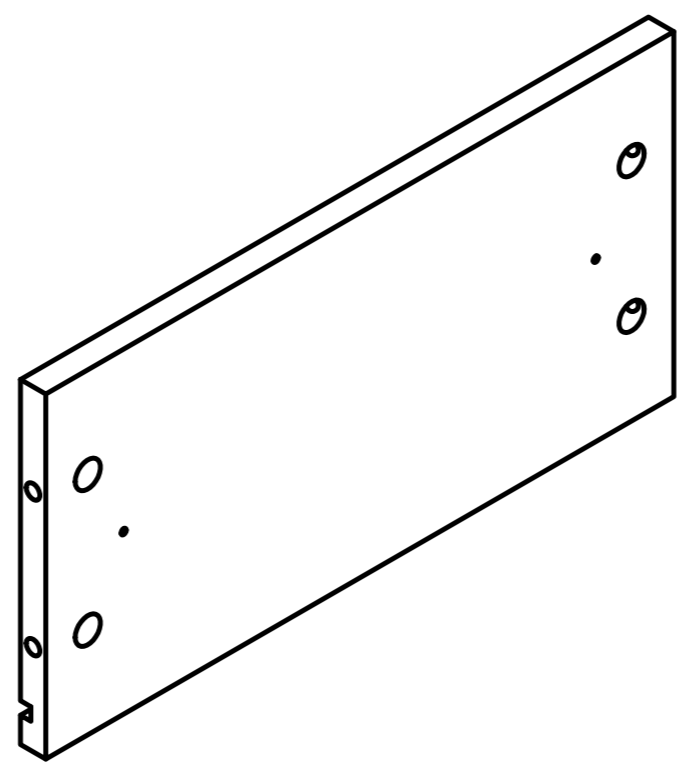


Product Installation Instructions

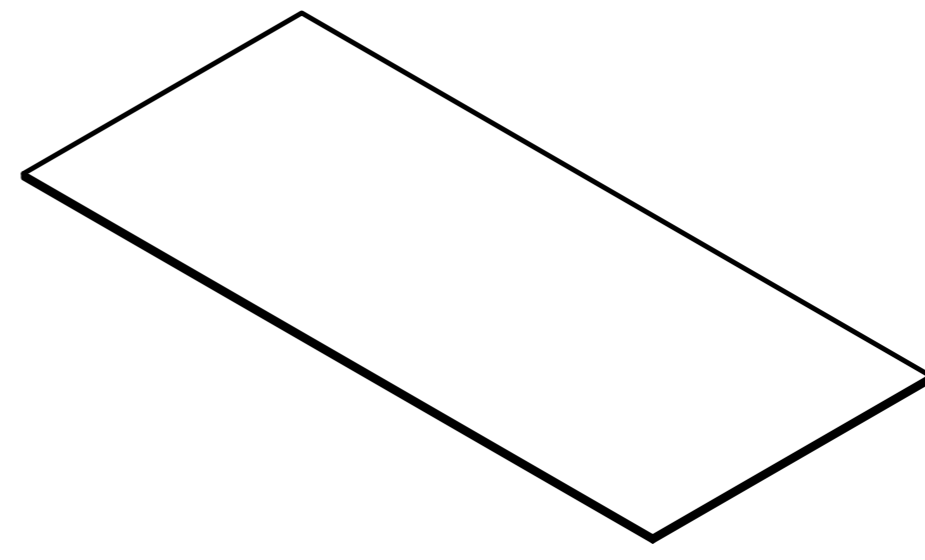




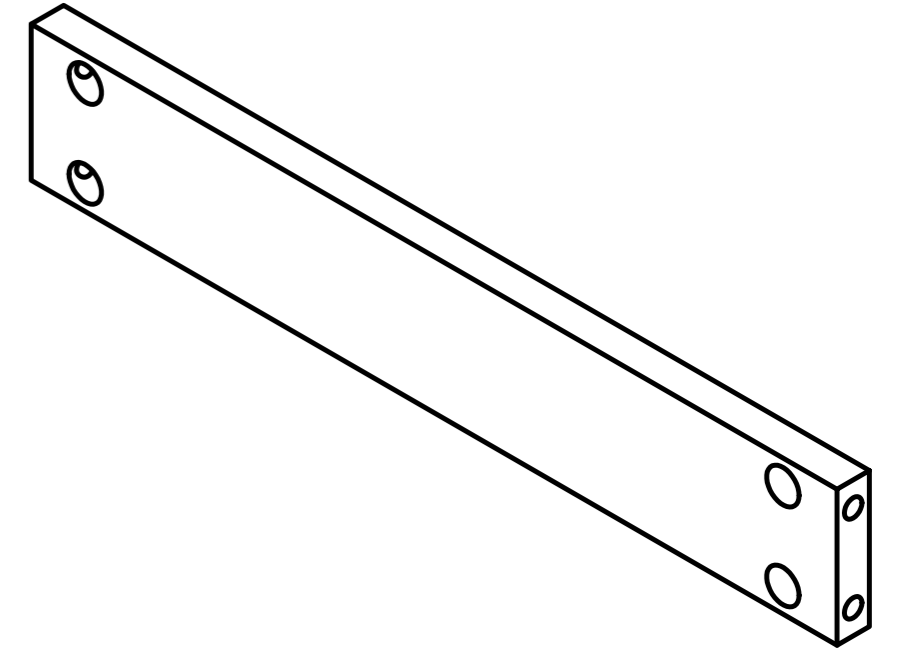
Ax2



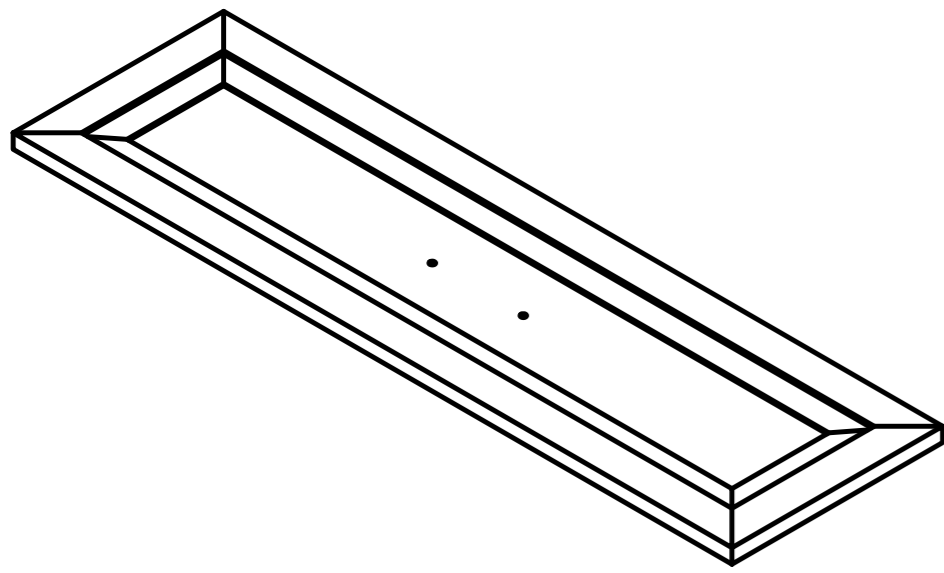
Bx4



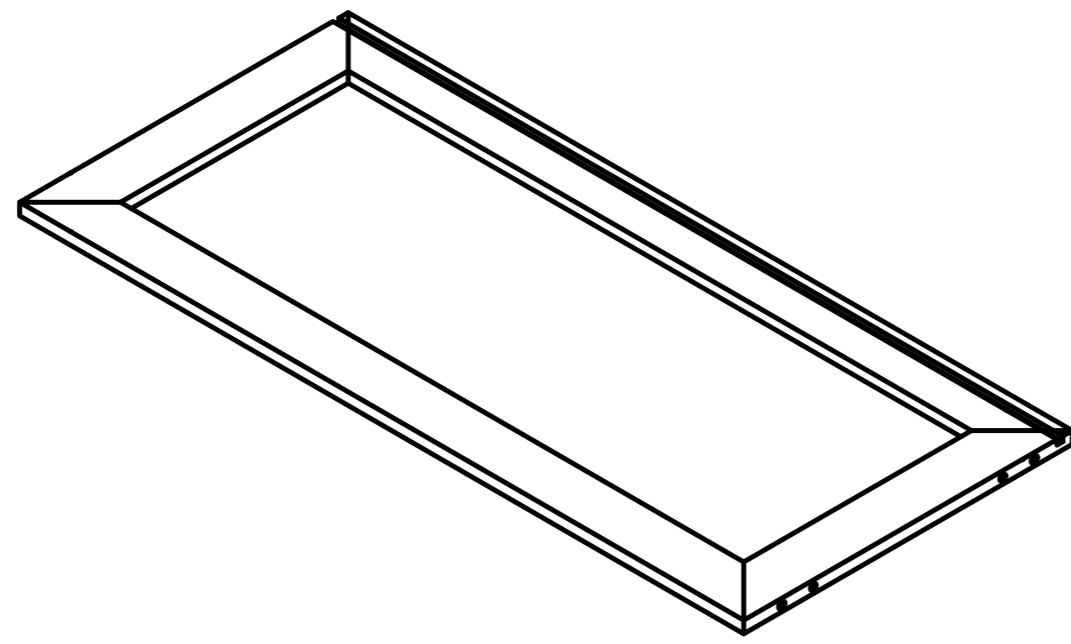
Cx2



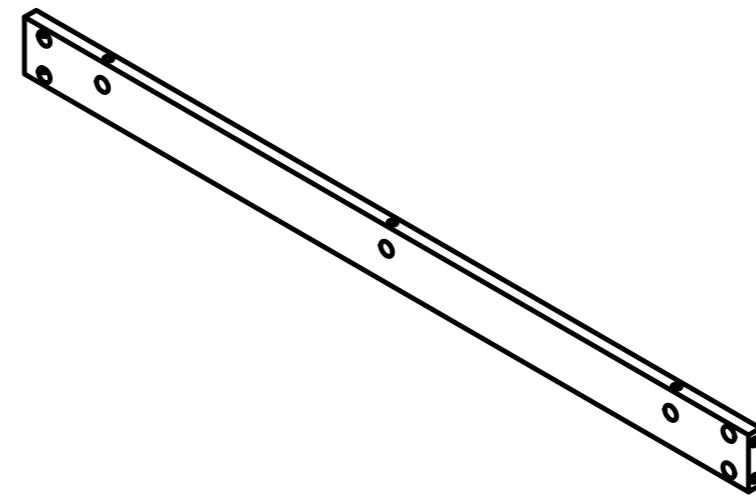
Dx2



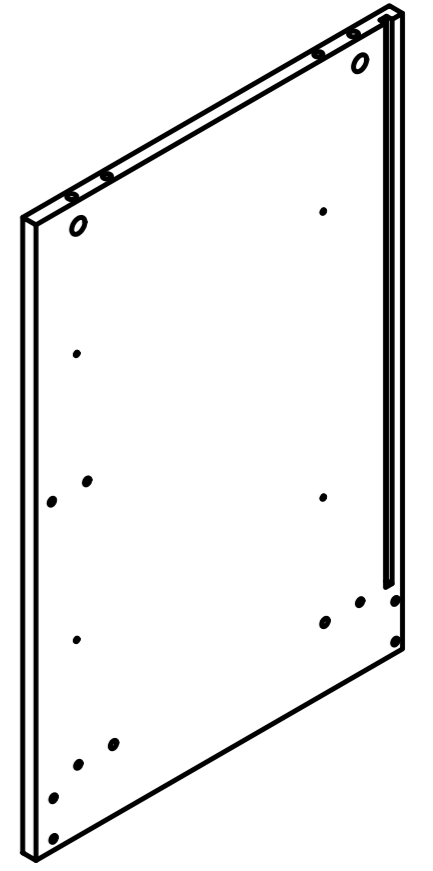
Ex2



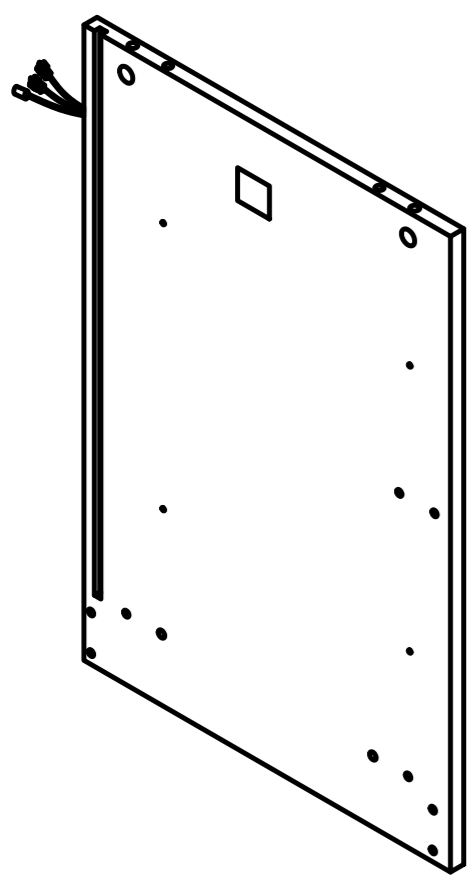
Fx1



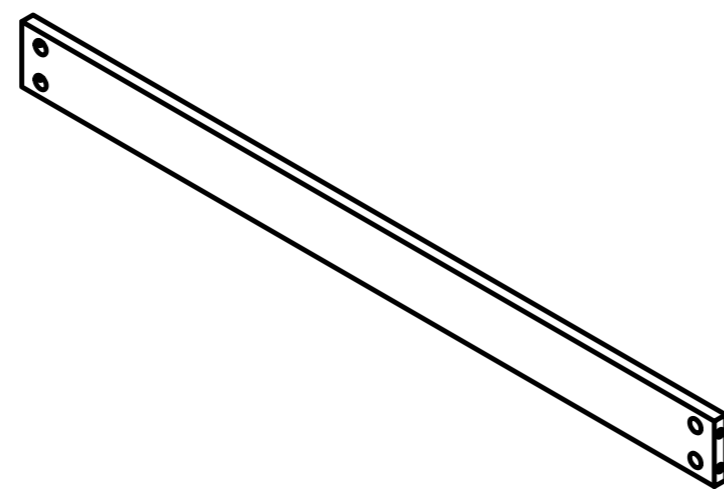
Gx2



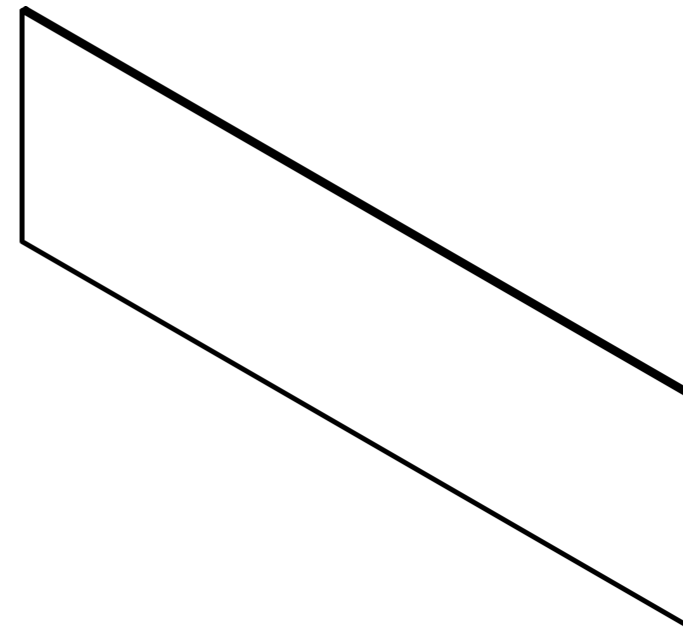
Hx1



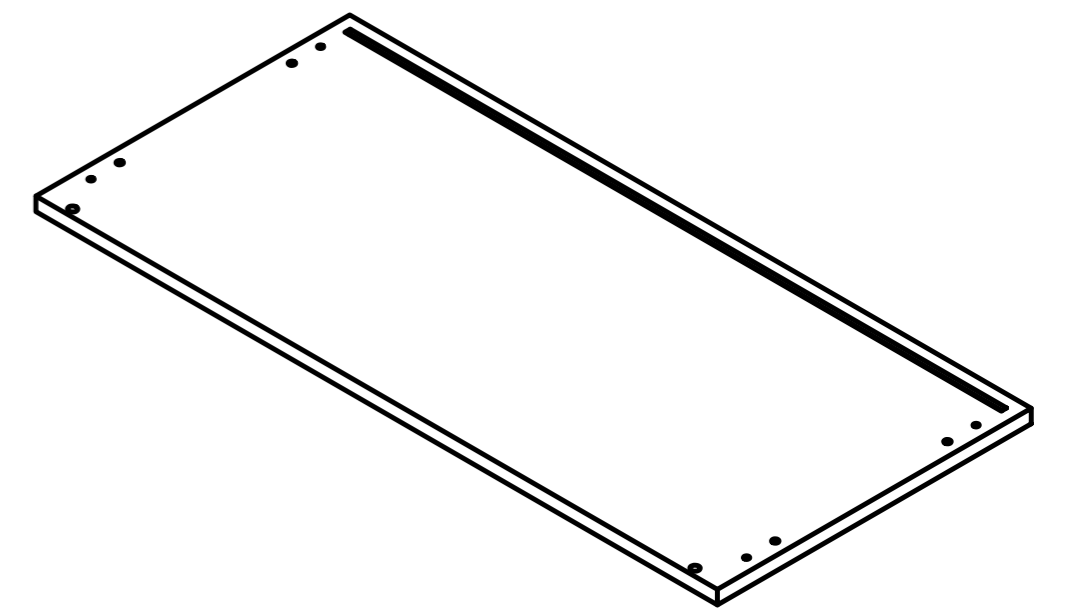
Ix1



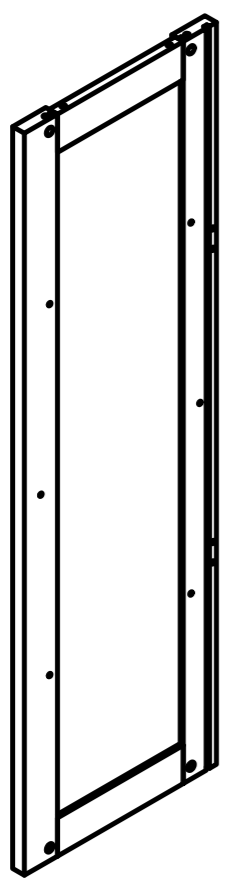
Jx1



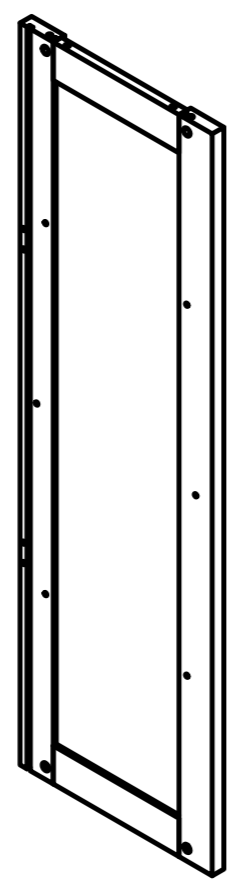
Kx2



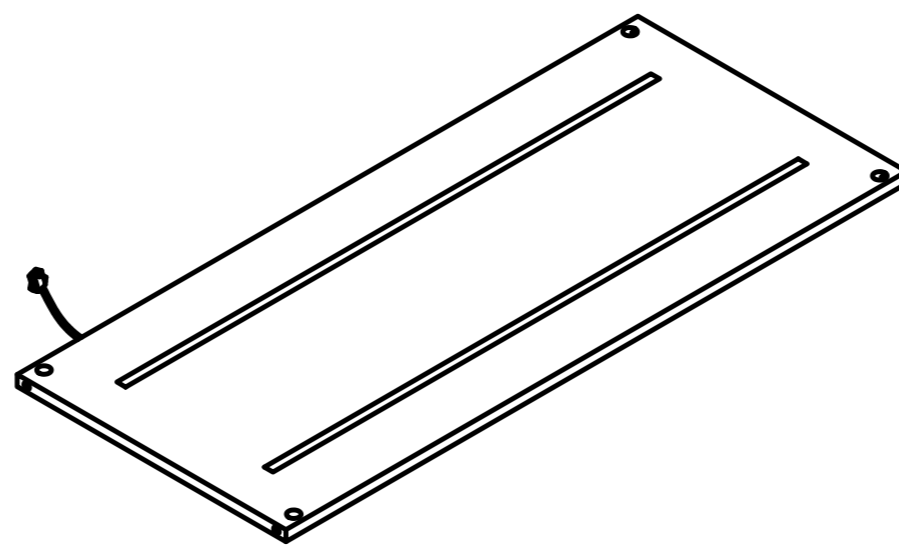
Lx1



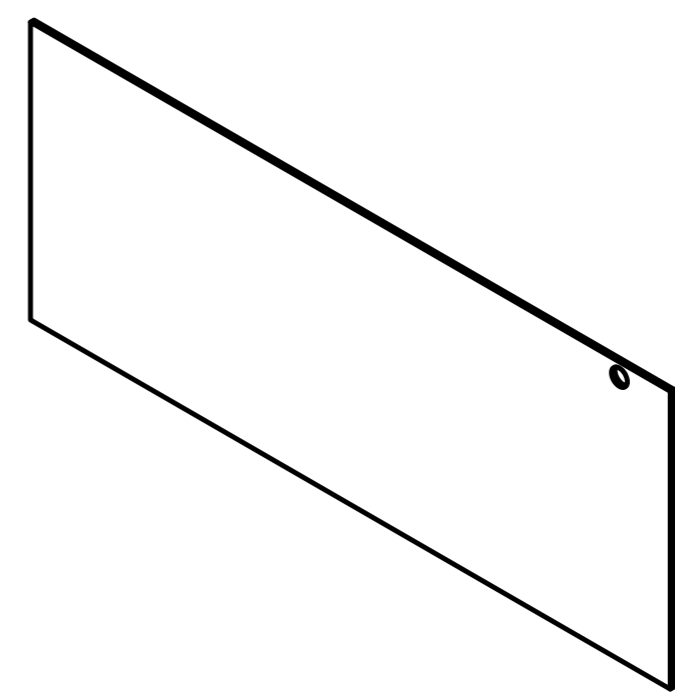
Mx1



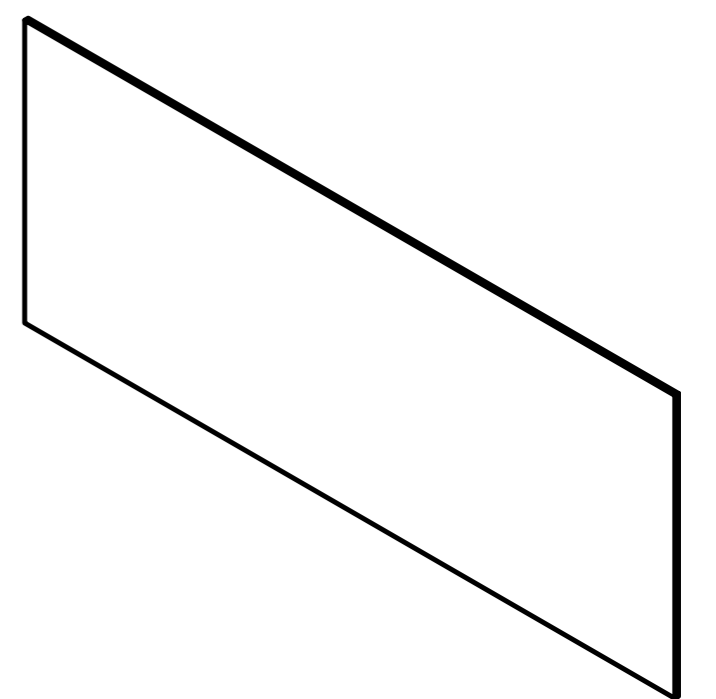
Nx1



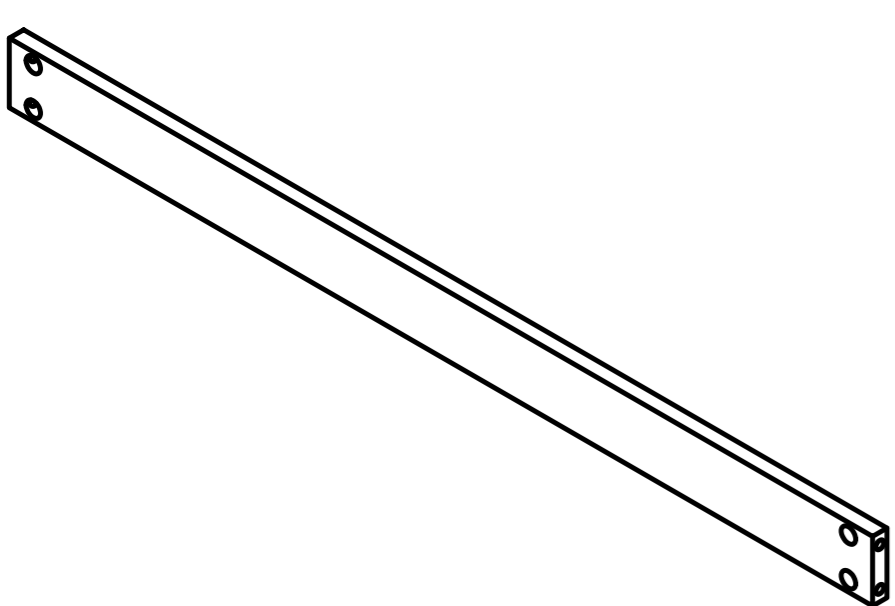
Ox1



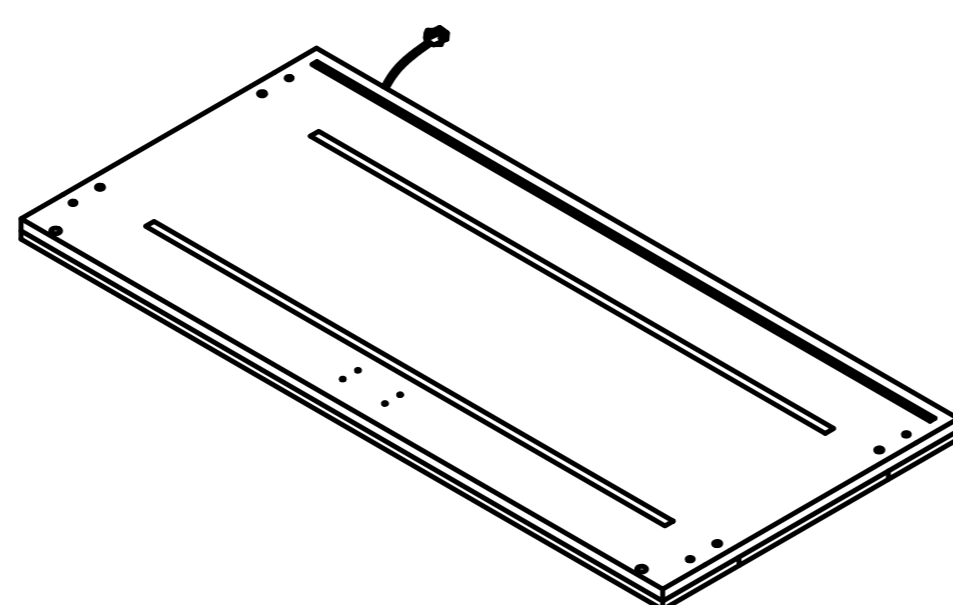
Px1



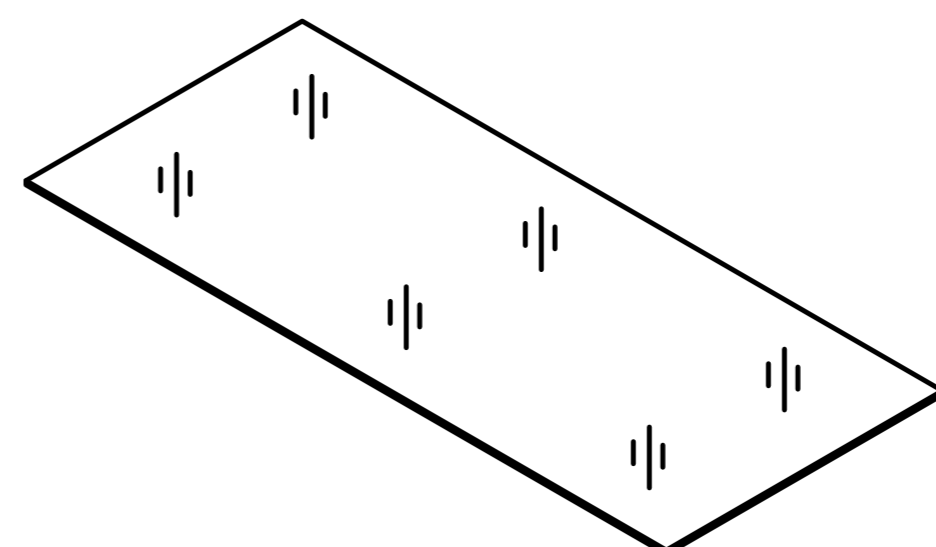
Qx3



Rx2



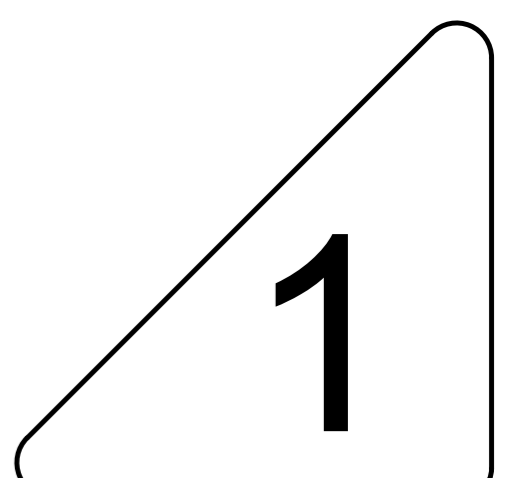
Sx1



Tx2

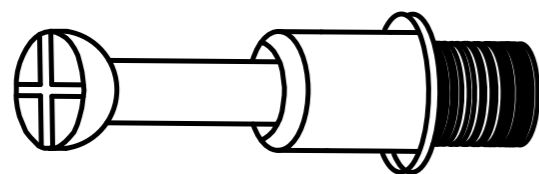
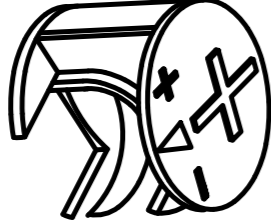
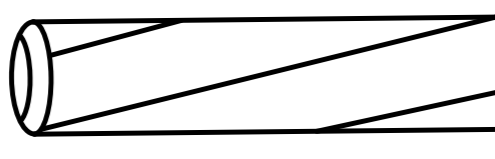
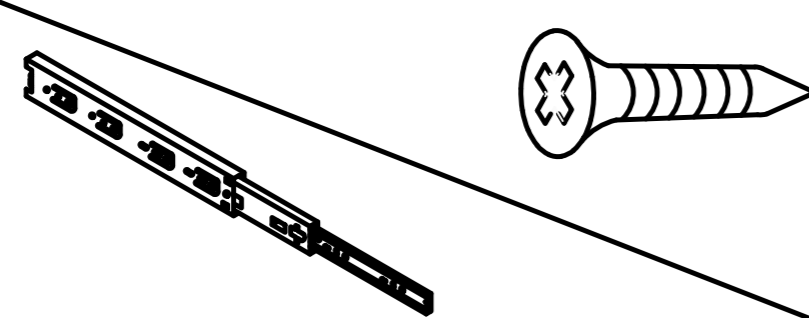
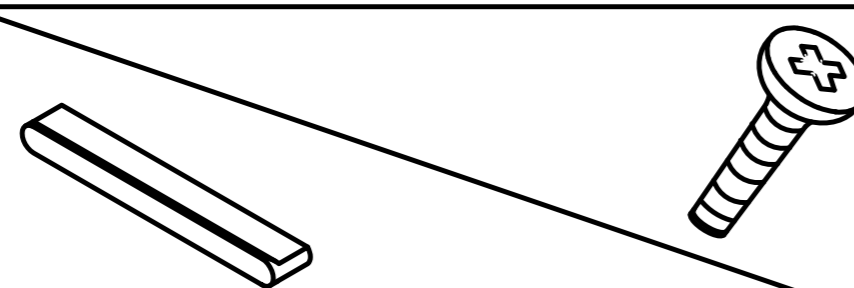

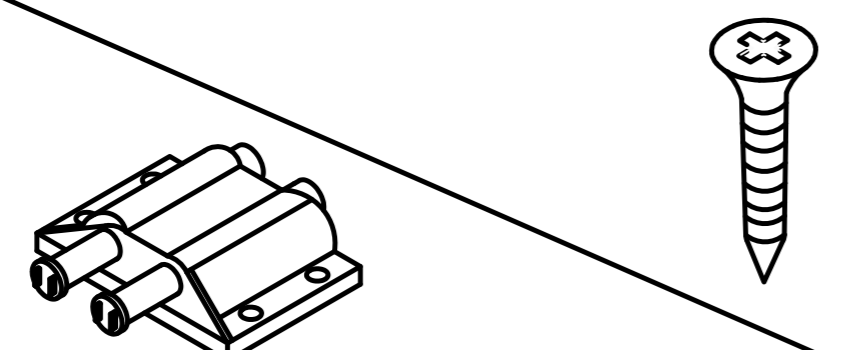

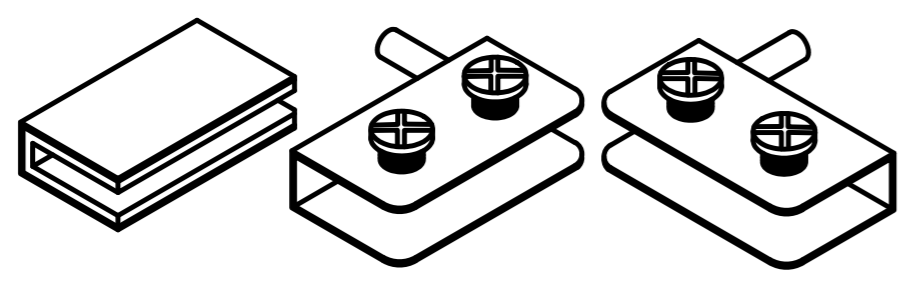
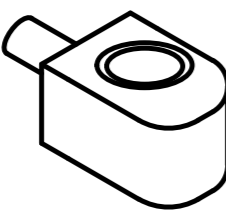
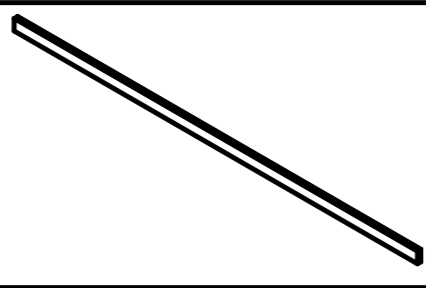
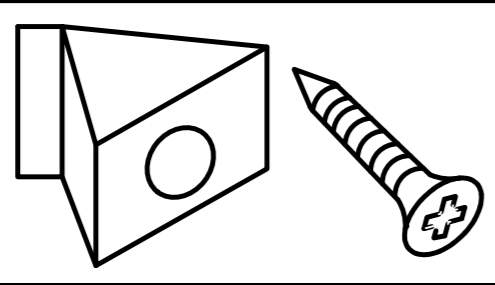
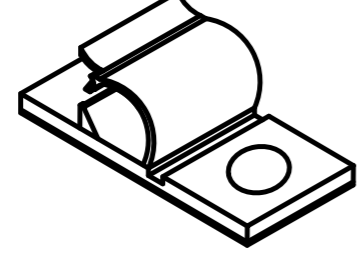
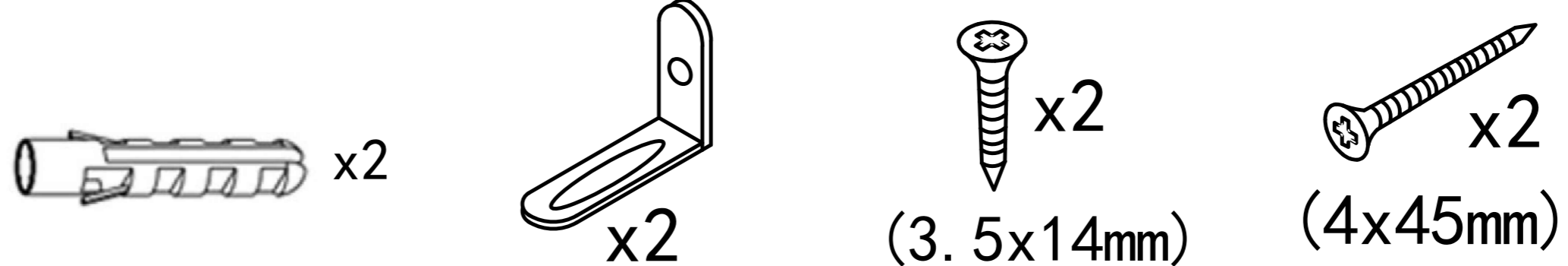
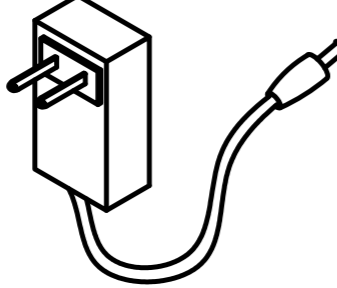


Ux2

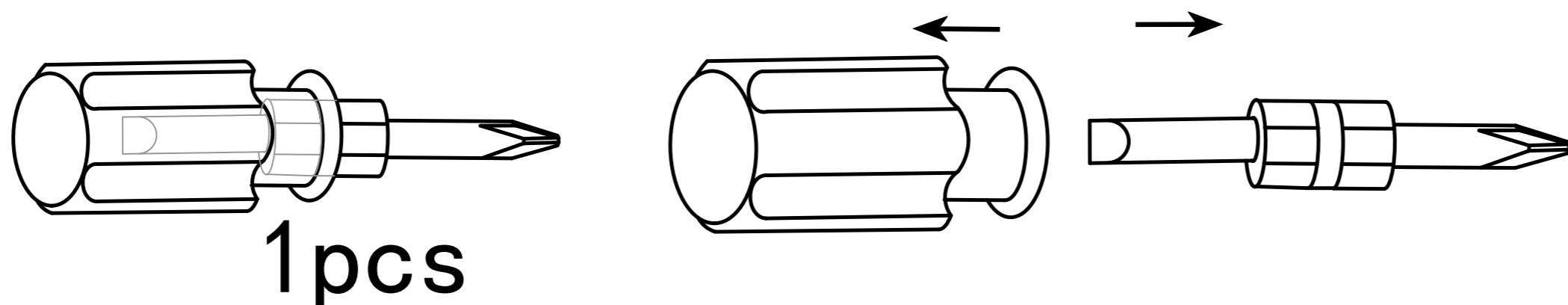


1

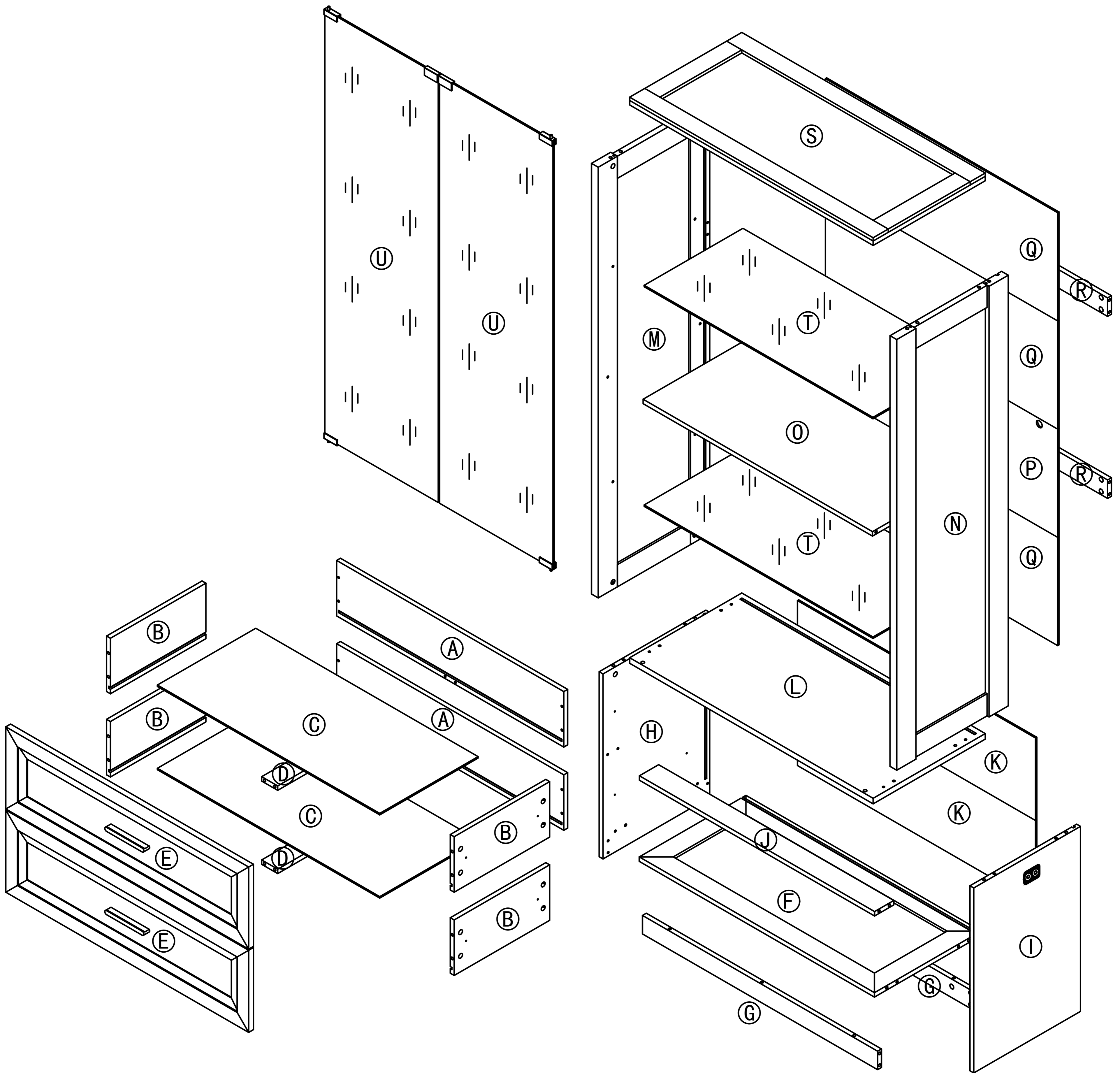
Accessories list

①		Two in one screw (6x28mm)	70pcs +6pcs
②		Two in one nut (10x12mm)	70pcs +6pcs
③		Wood chipping (6x30mm)	16pcs +4pcs
④		Guide & Screw(29cm) (3x12mm)	20pcs +4pcs 4pcs
⑤		Handle & Screw (4x8mm)	4pcs +1pcs 2pcs
⑥		Non-slip pads (50x10)	6pcs
⑦		Rebound device & Screw (3x16mm)	4pcs +1pcs 1pcs
		Rubber ring	4pcs
		Iron sheet & Hinge	2pcs
⑧		Laminate support nail	8pcs +1pcs
⑨		Backboard card strip(714mm)	2pcs
⑩		Fixing clip & screw (3x16mm)	22pcs +2pcs
⑪		Wire clamp	3pcs +1pcs
⑫	Anti Fall Hardware	 x2 x2 x2 x2 x4 (3.5x14mm) (4x45mm)	
		AC/DC Adapter (12V=3.0A)	1pcs

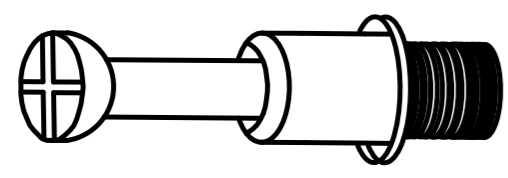
Double-head screwdriver, use as required



Product structure decomposition

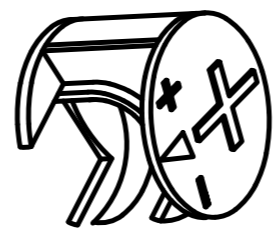


1



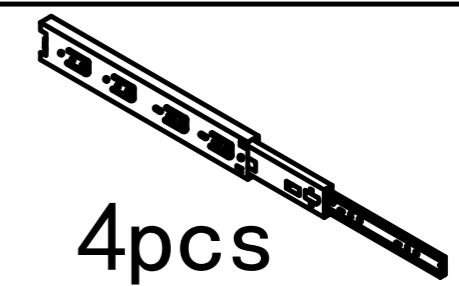
24pcs

2

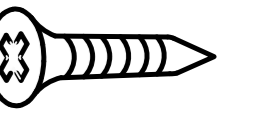


24pcs

4

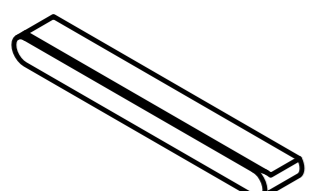


4pcs



8pcs

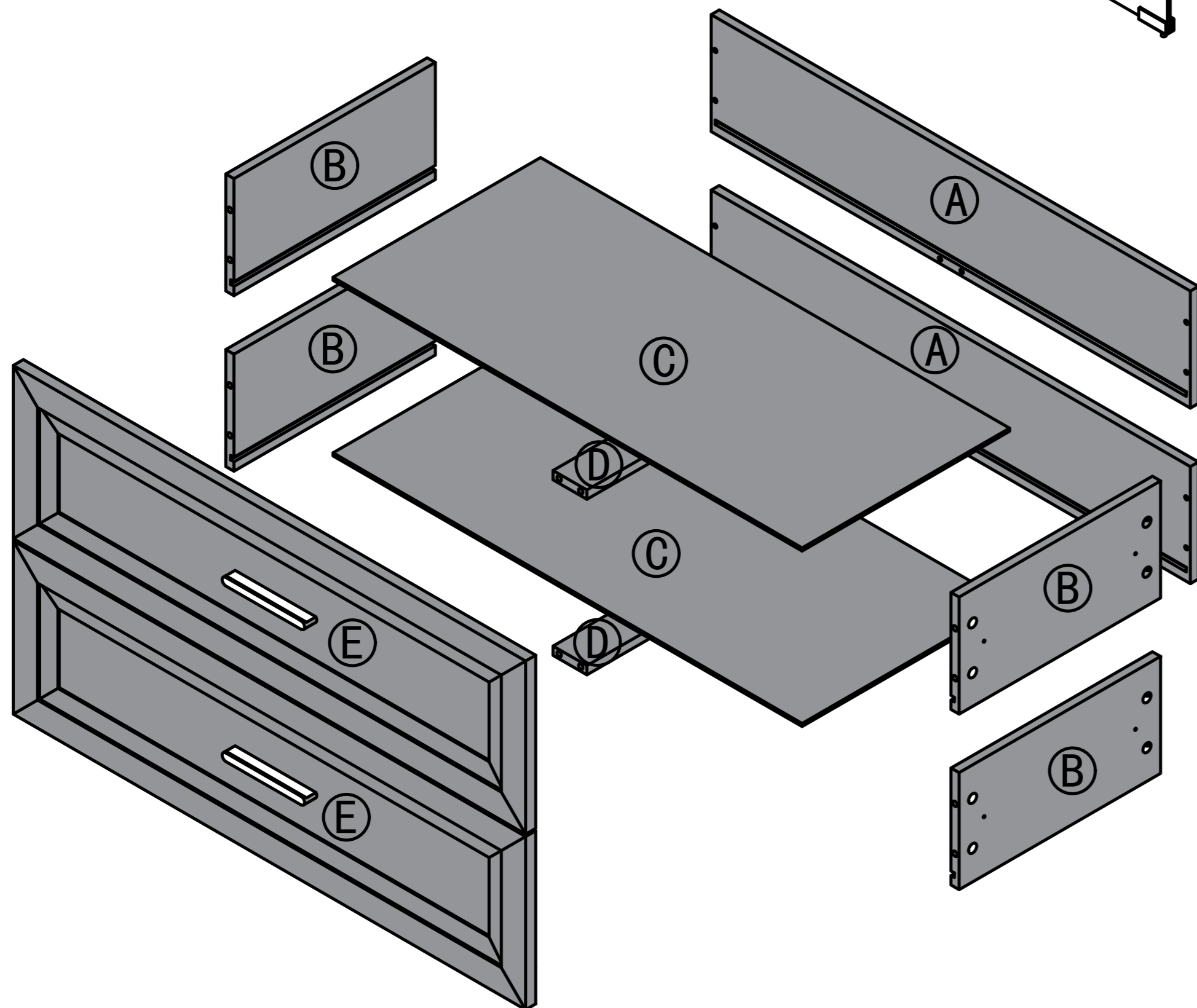
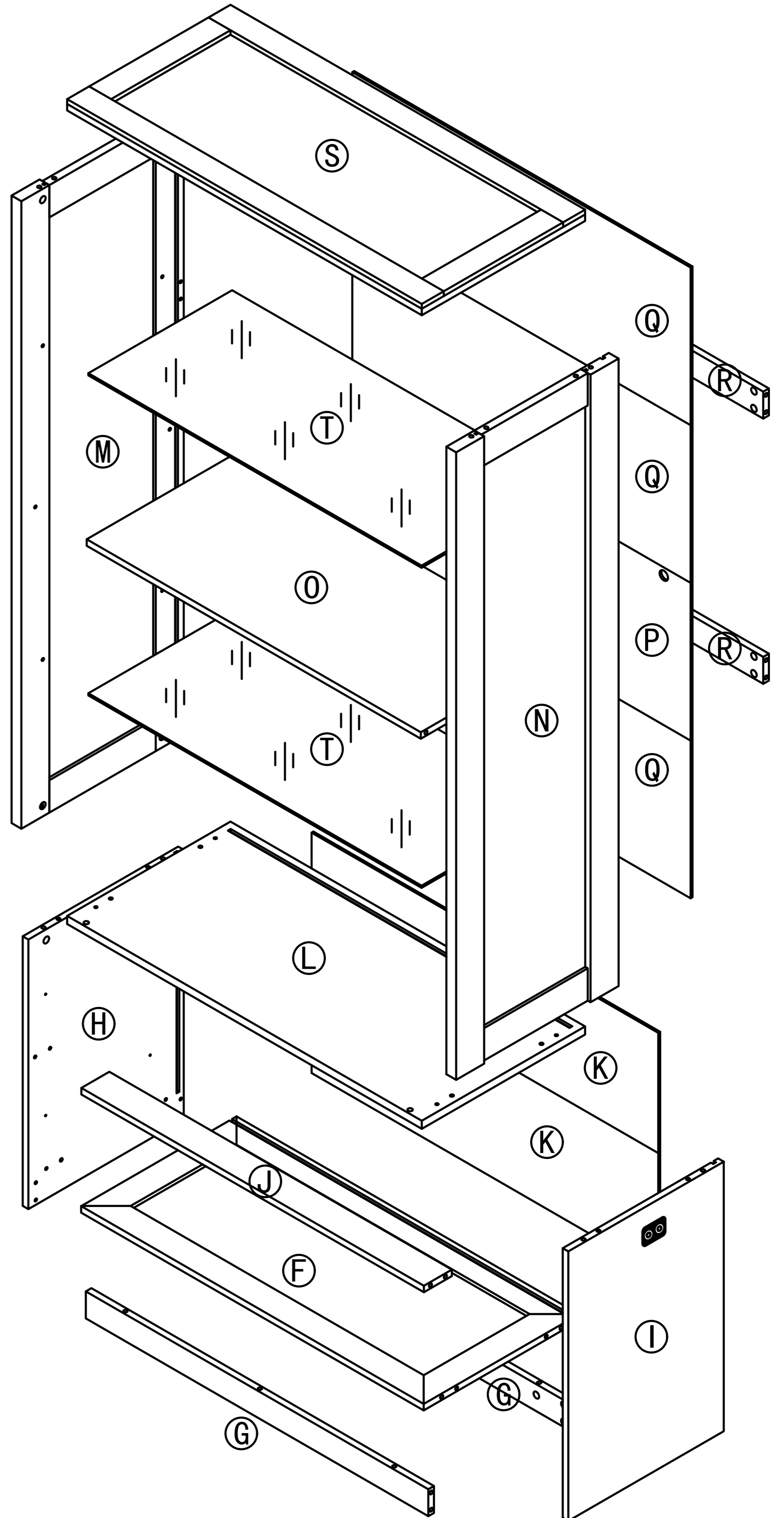
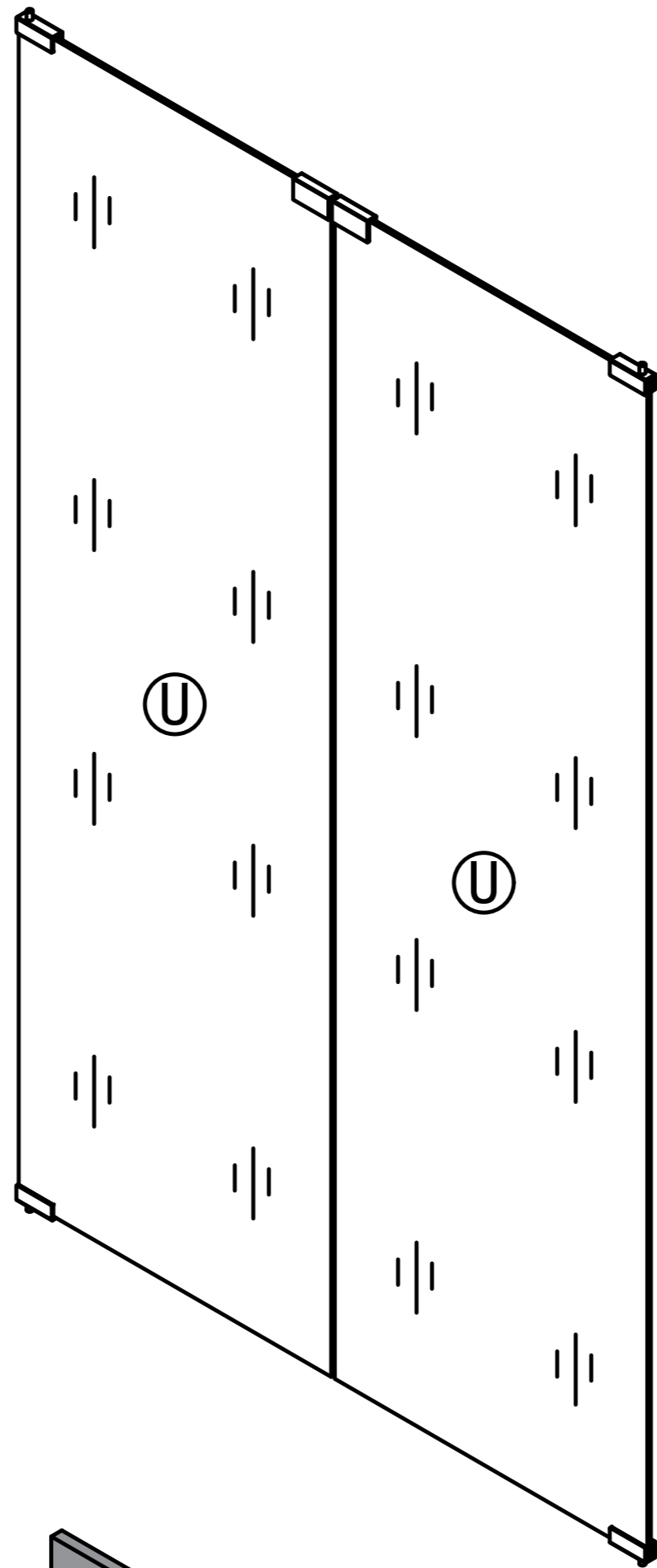
5



2pcs



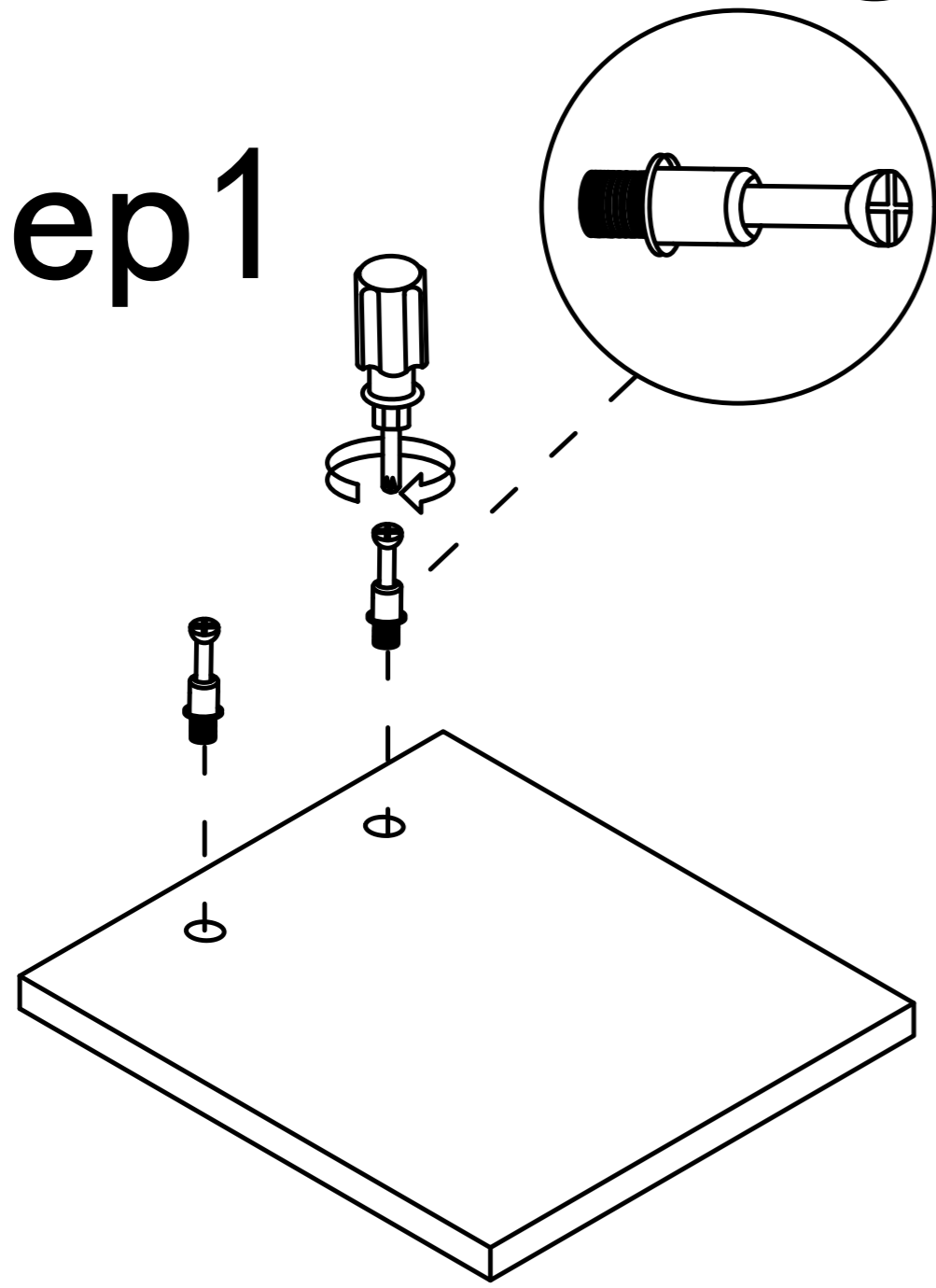
4pcs



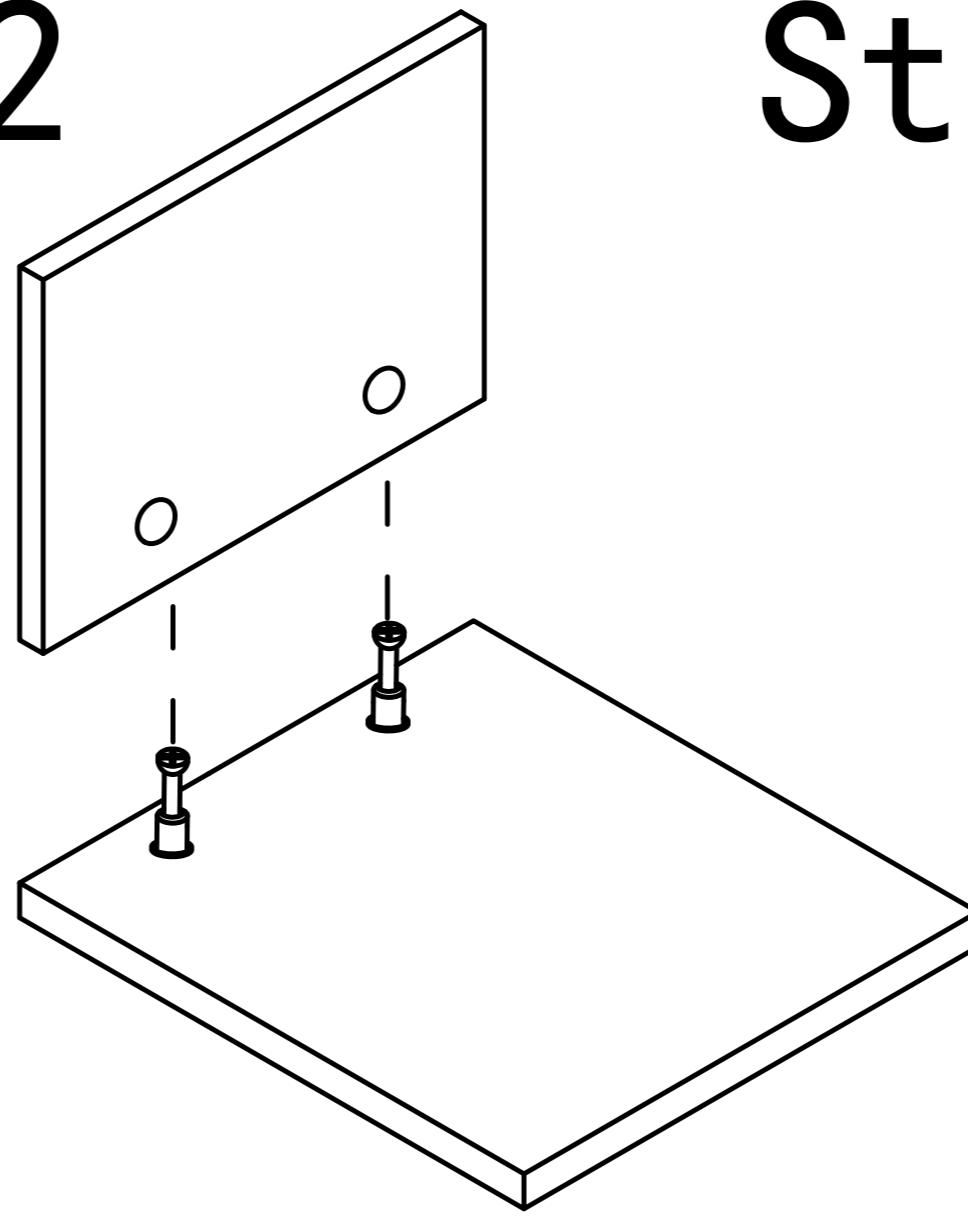
4

Use parts ① and ②

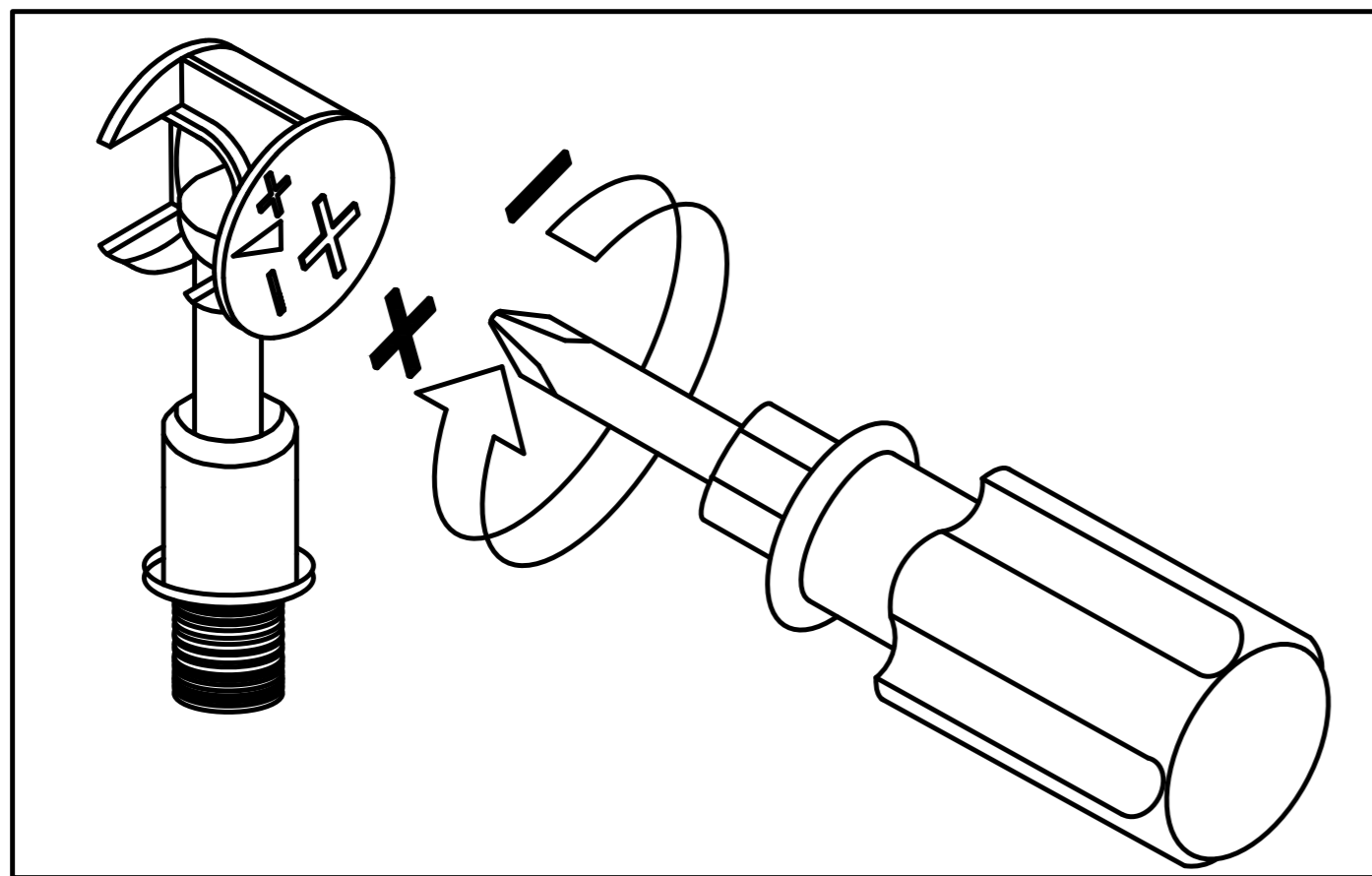
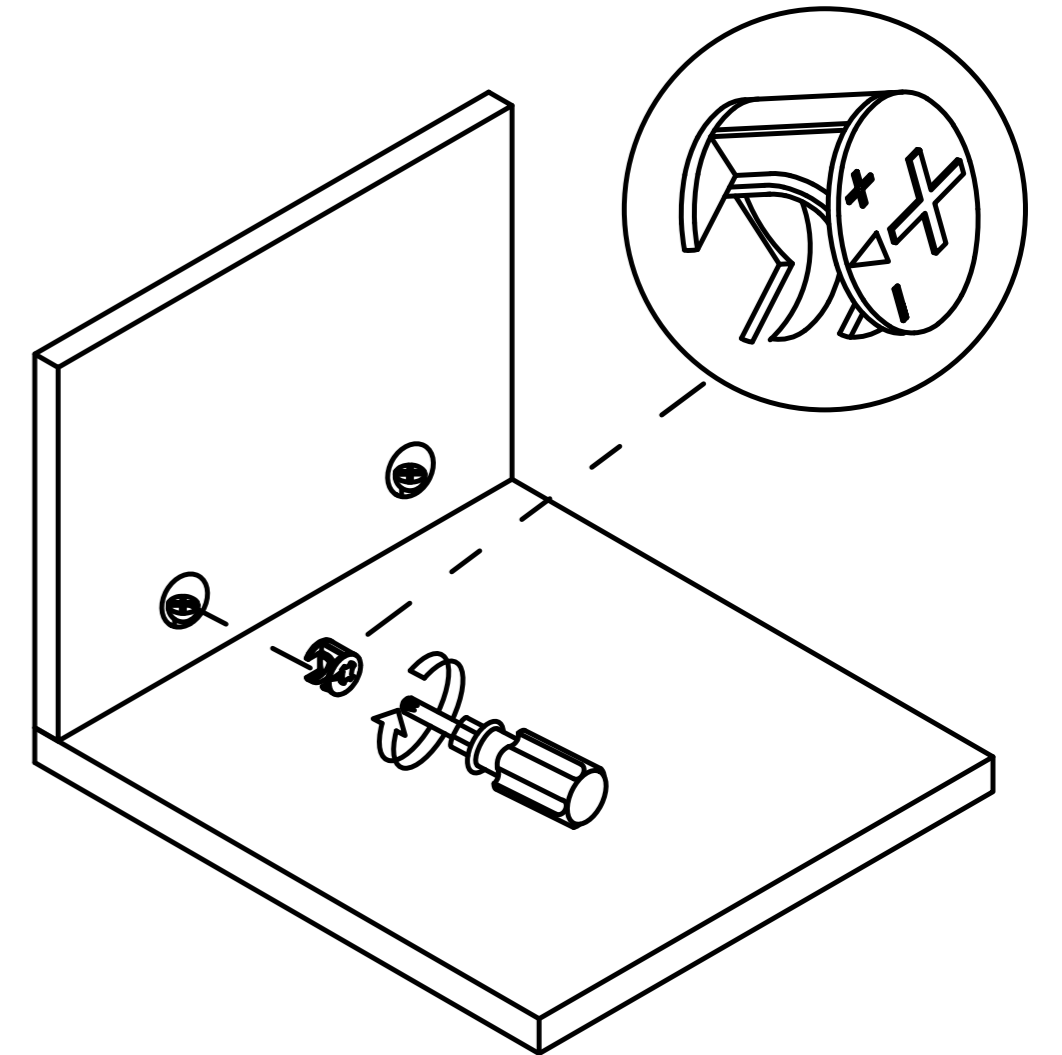
Step 1



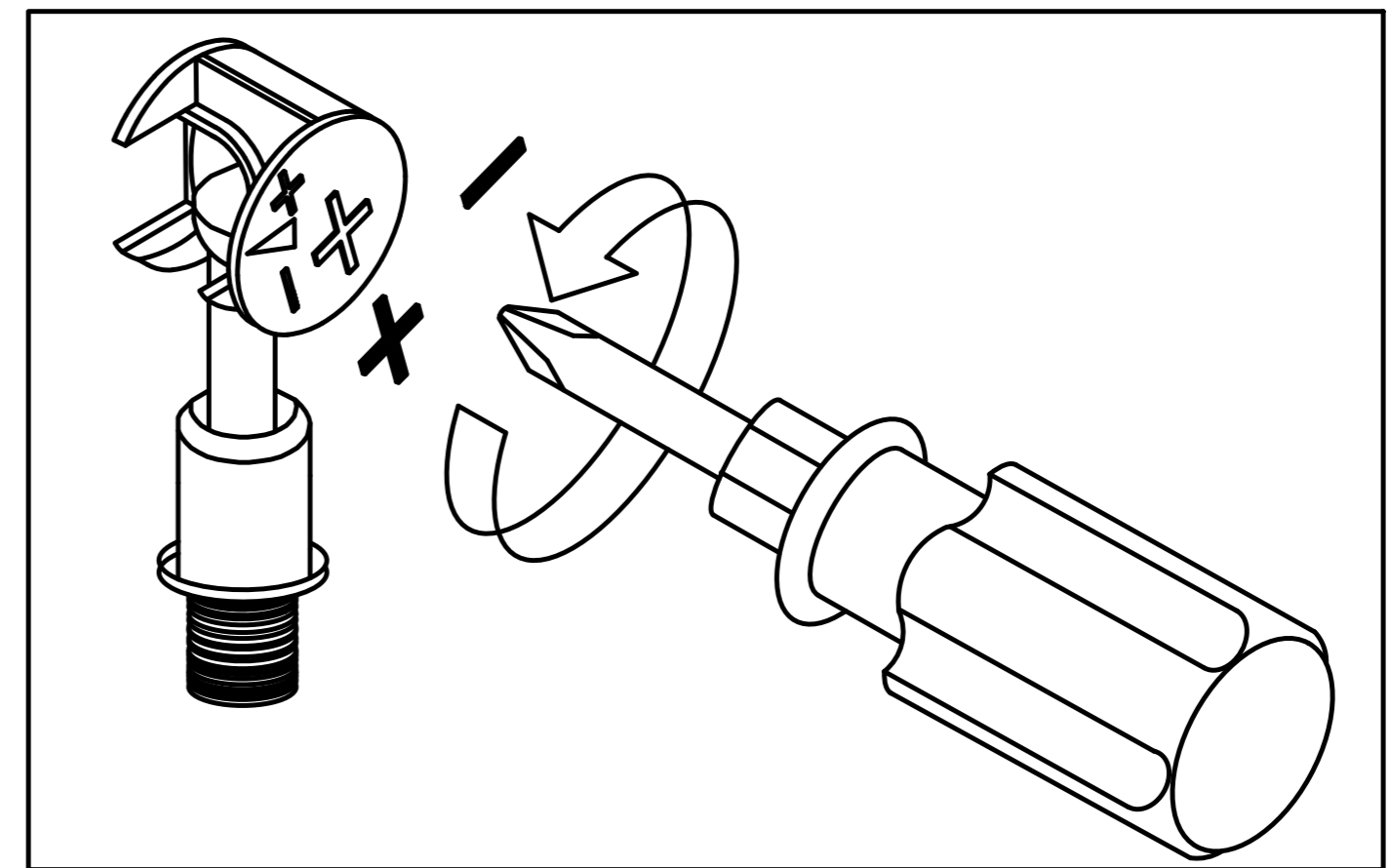
Step 2



Step 3

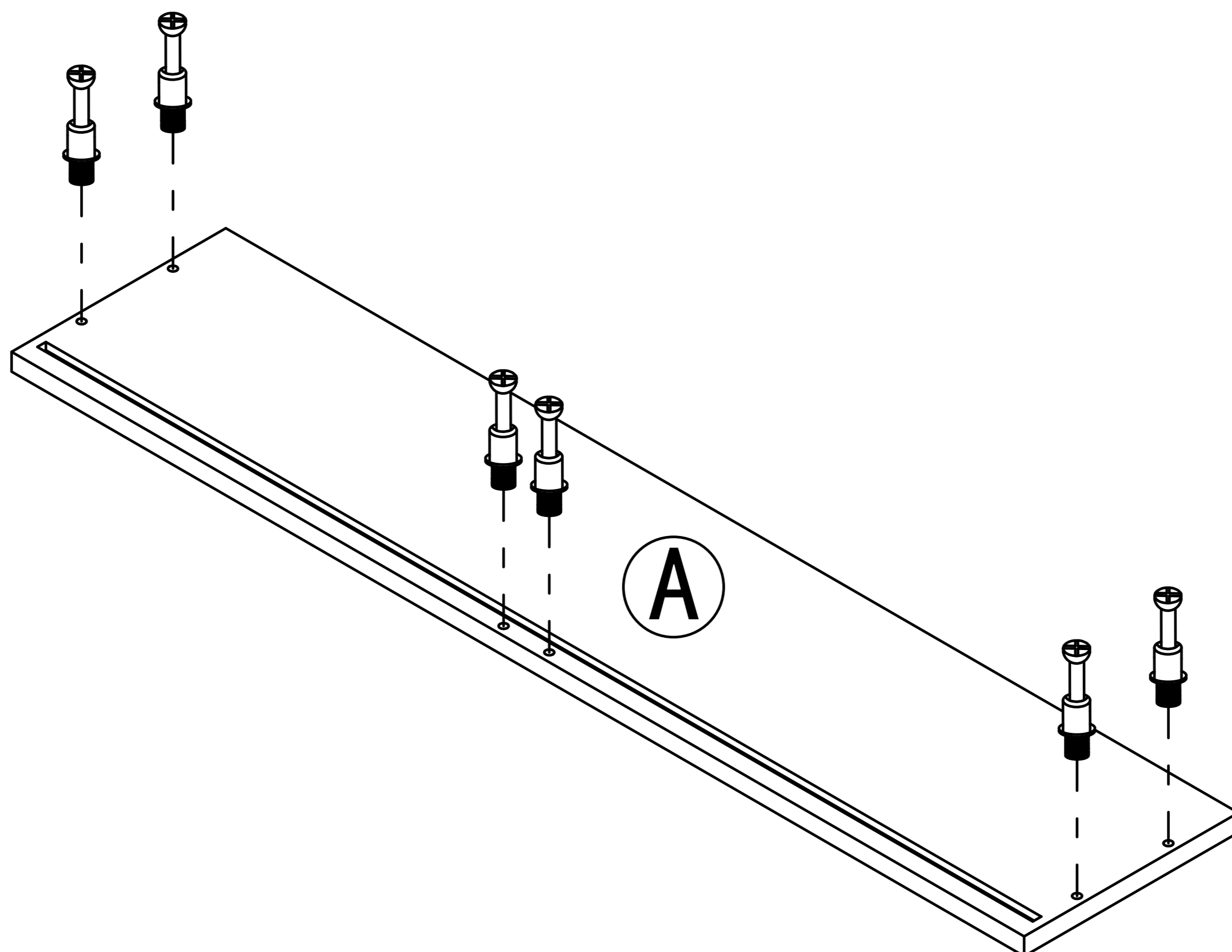
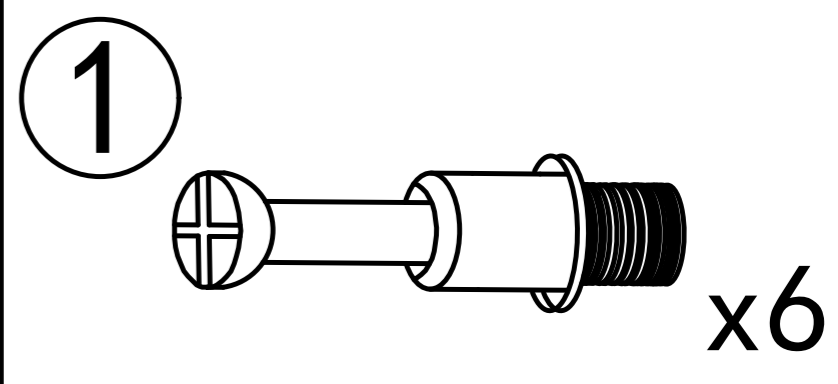


Use a screwdriver to lock in the direction of the "+" sign

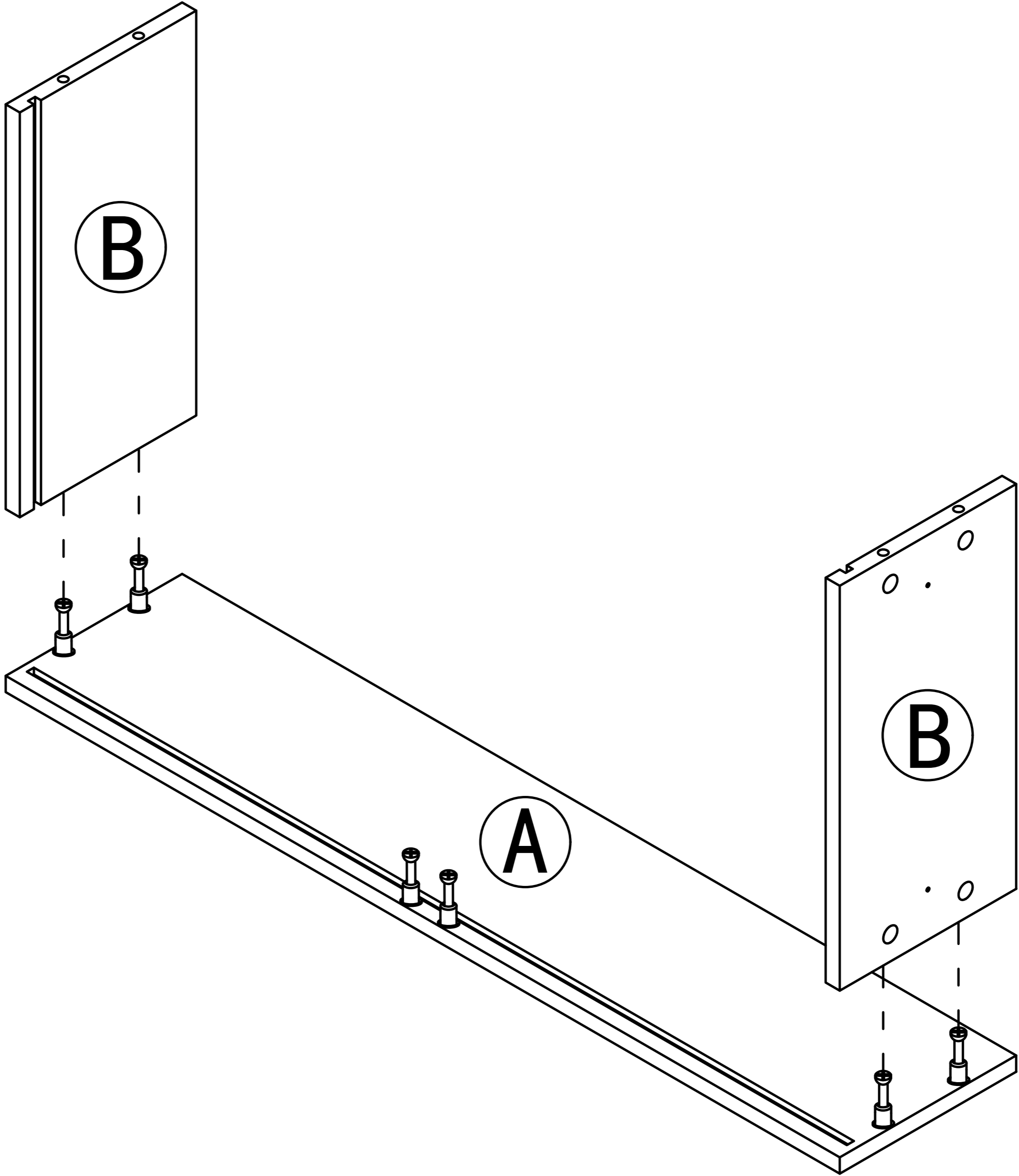


Disassemble along the direction of "-" sign

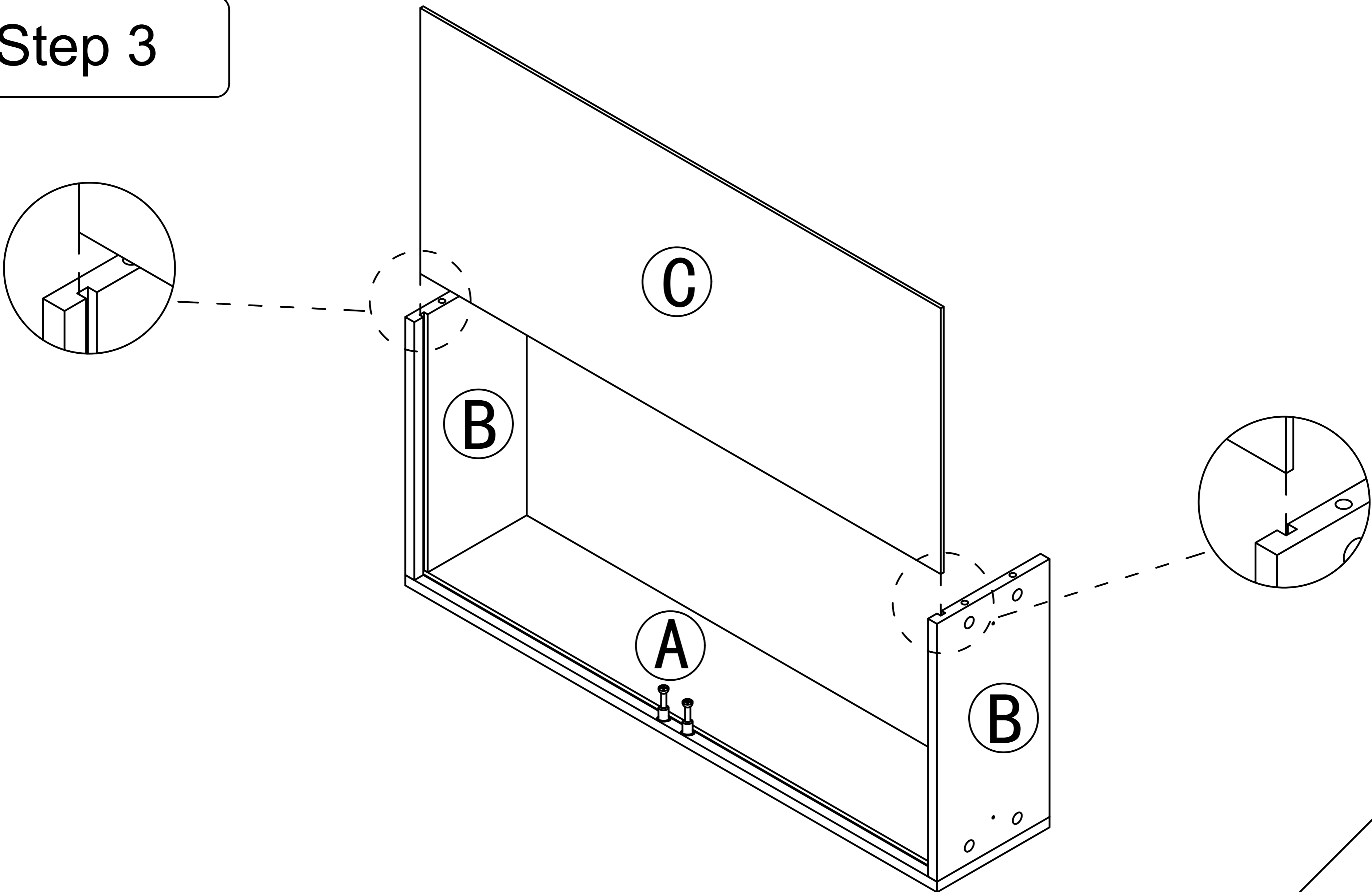
Step 1



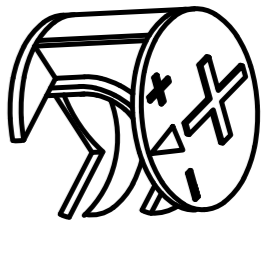
Step 2

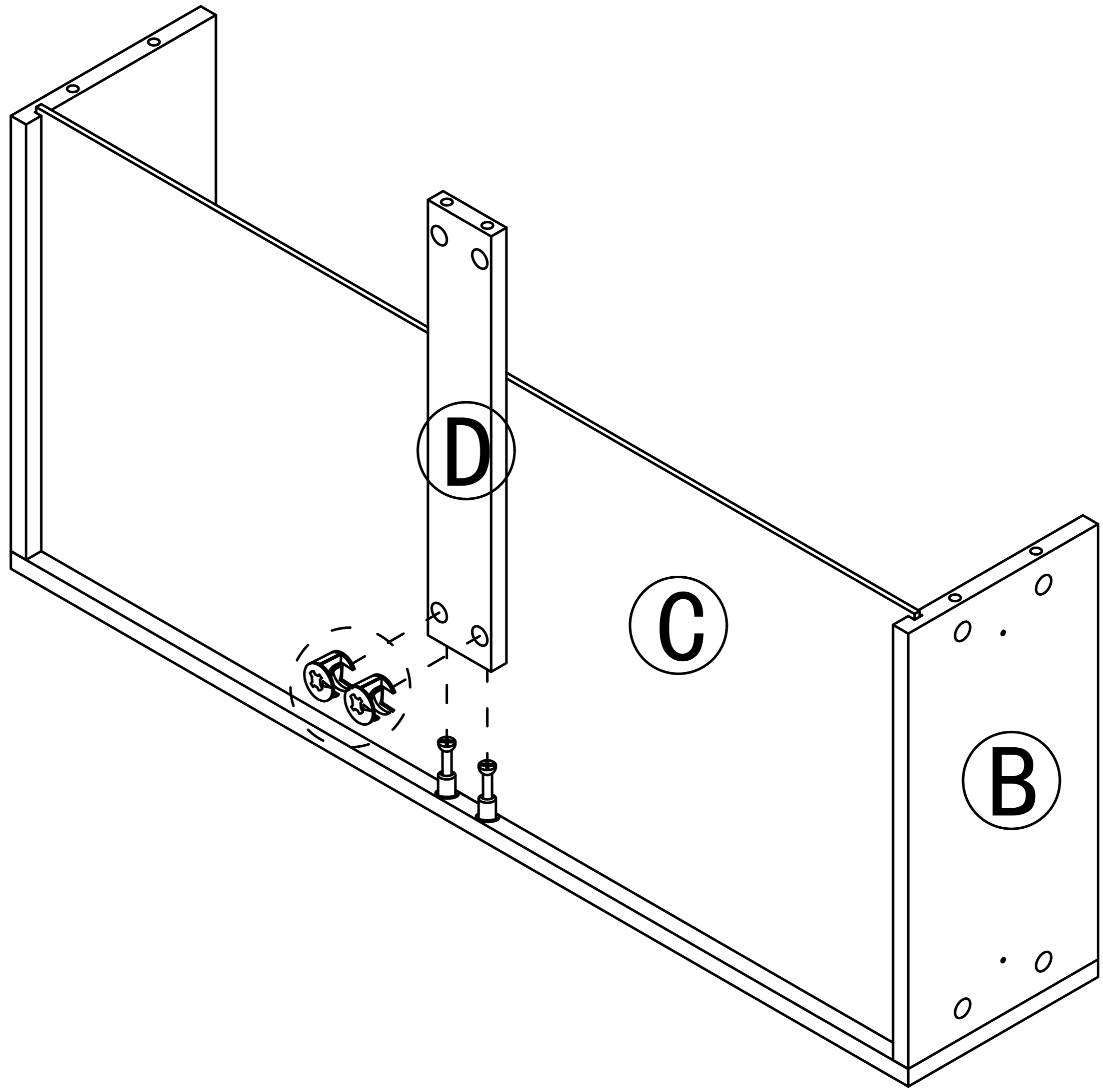


Step 3

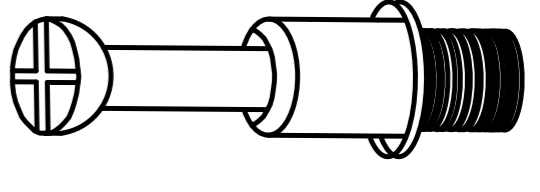


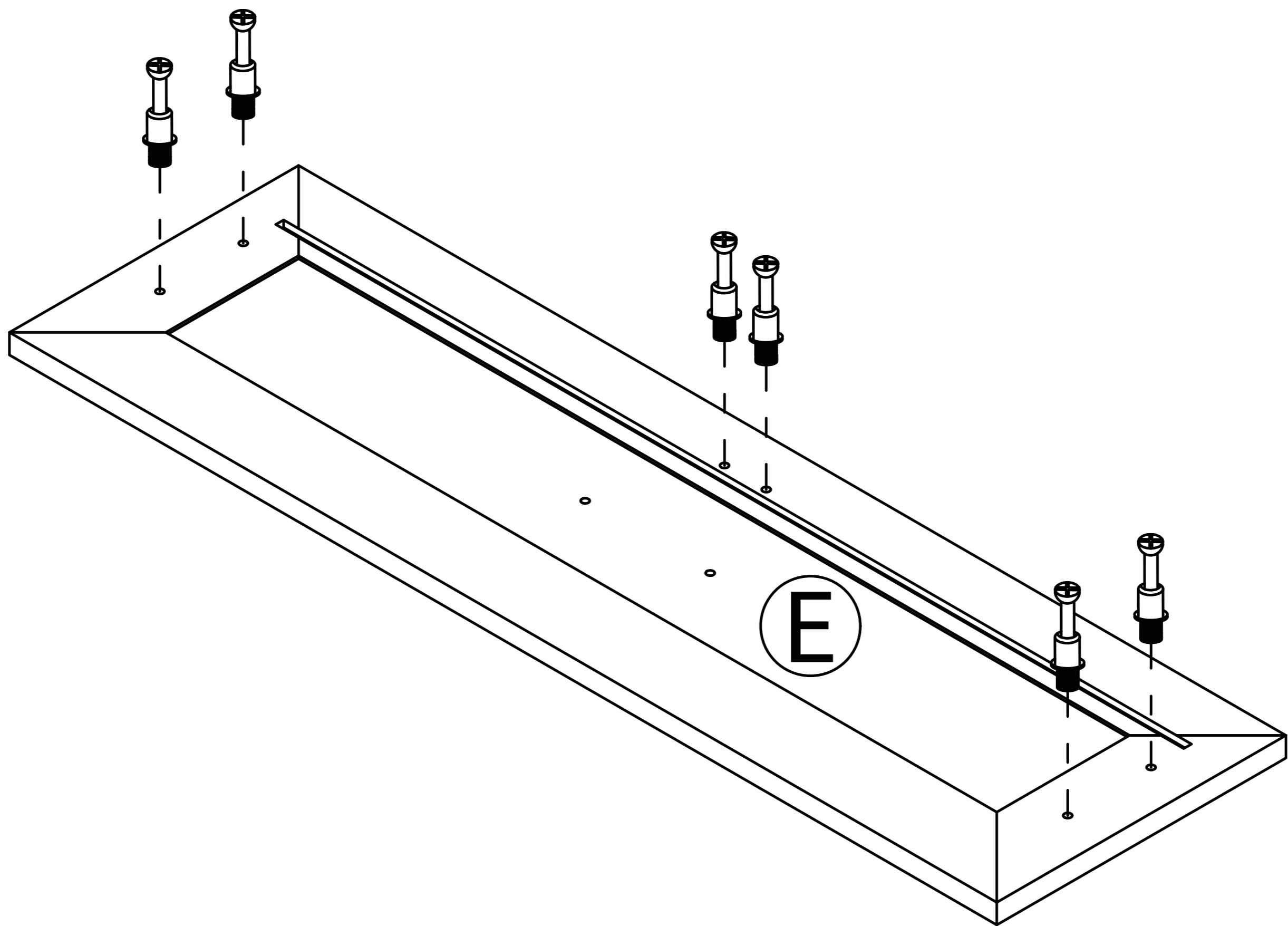
Step 4

②  x2

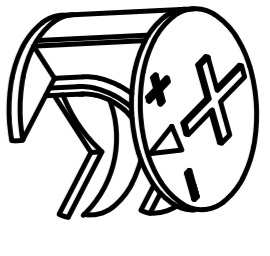


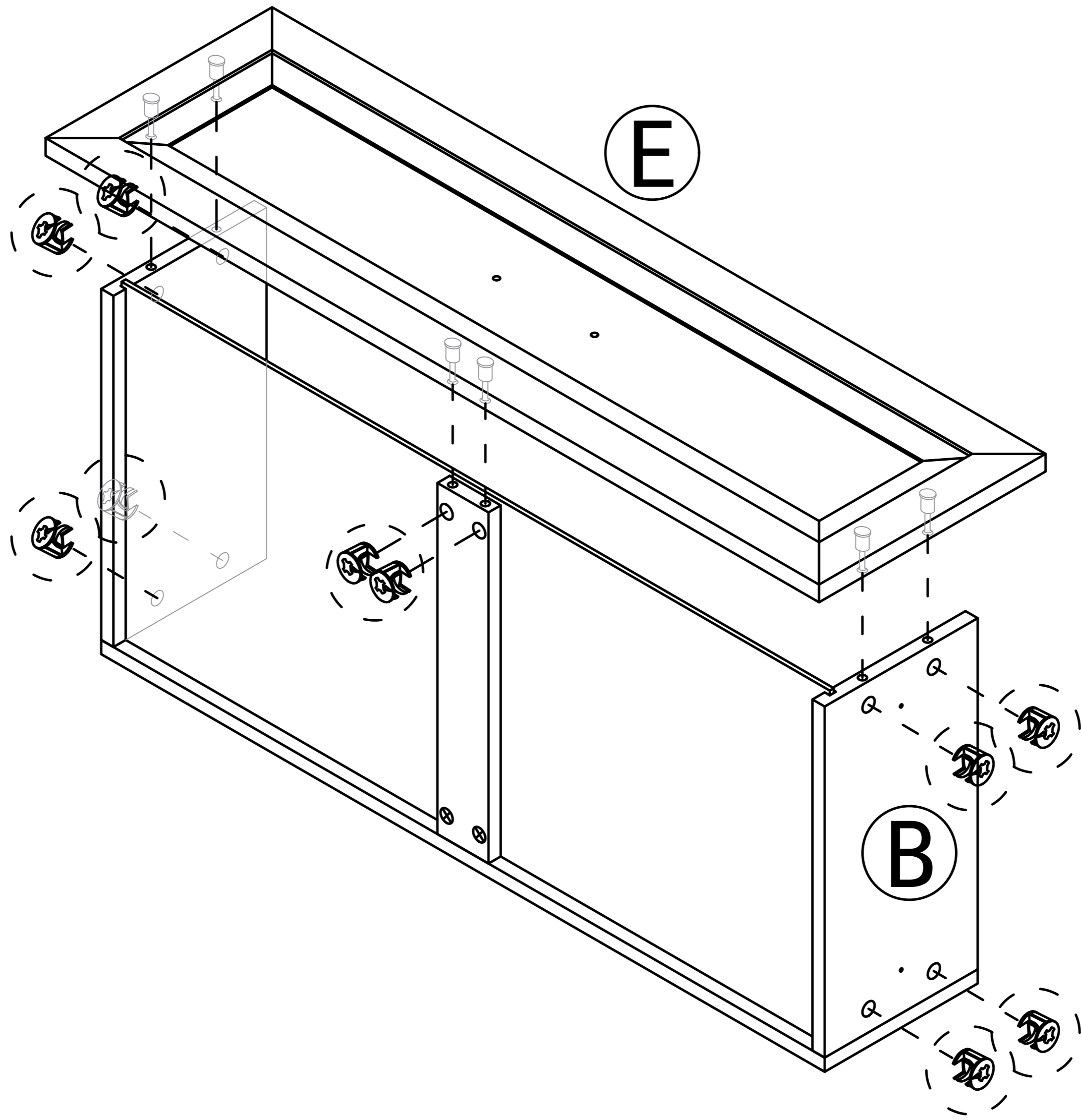
Step 5

①  x6

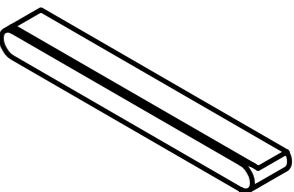



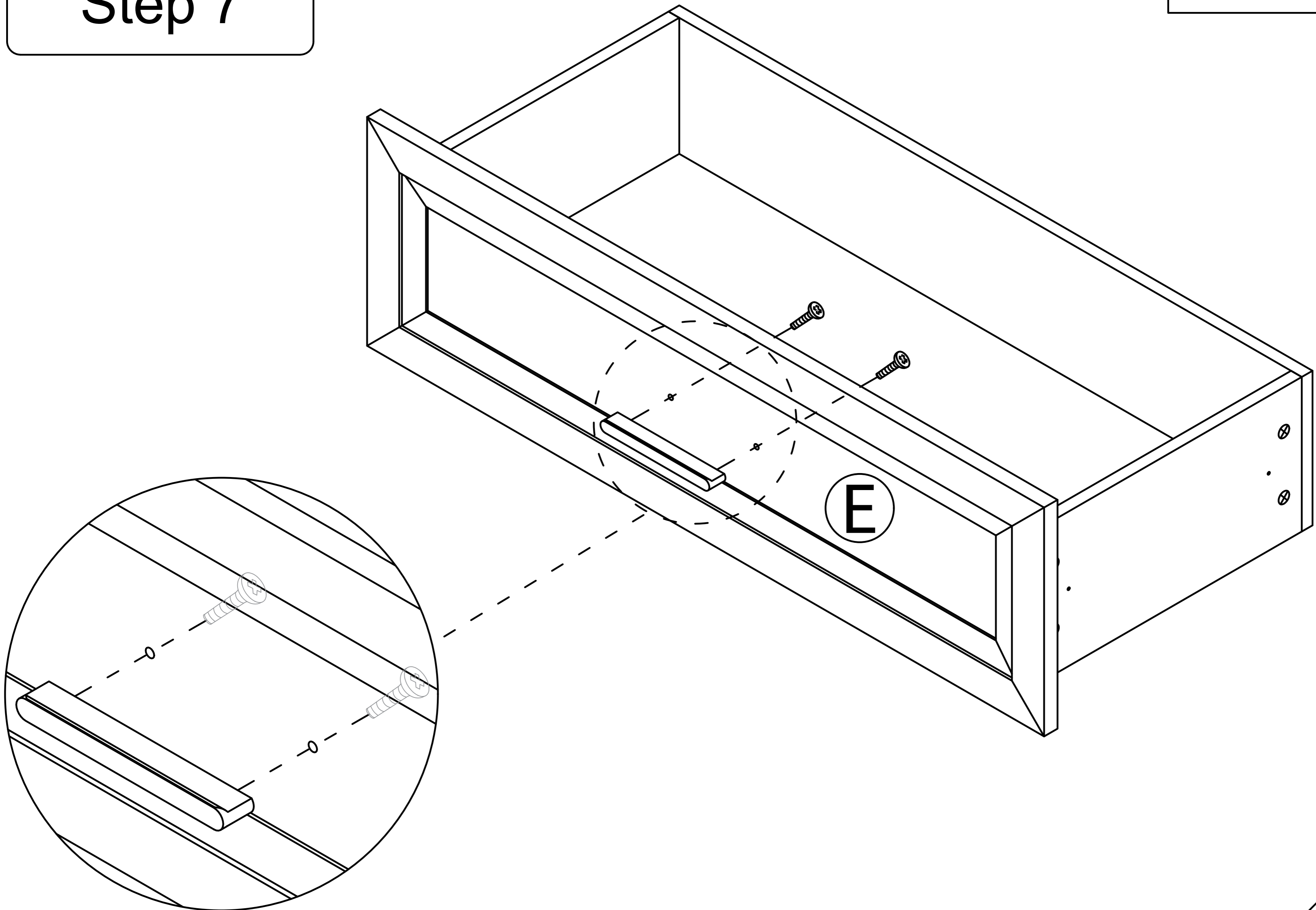
Step 6

②  x10



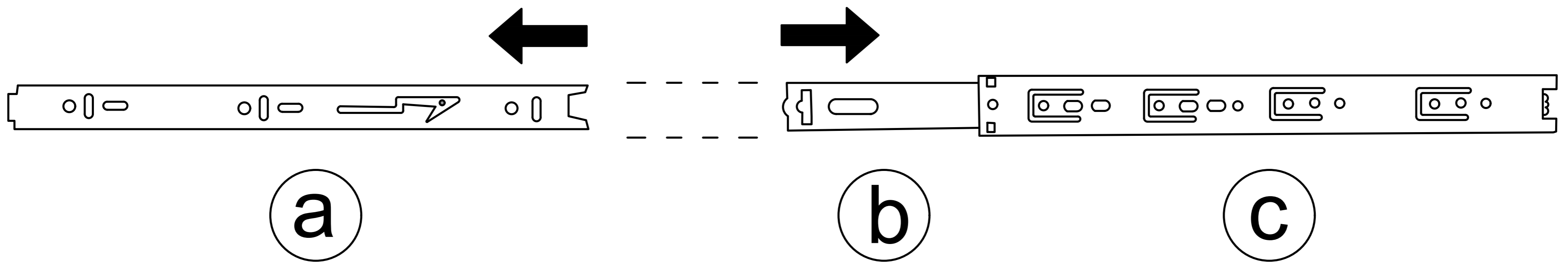
Step 7

⑤  x1  x2



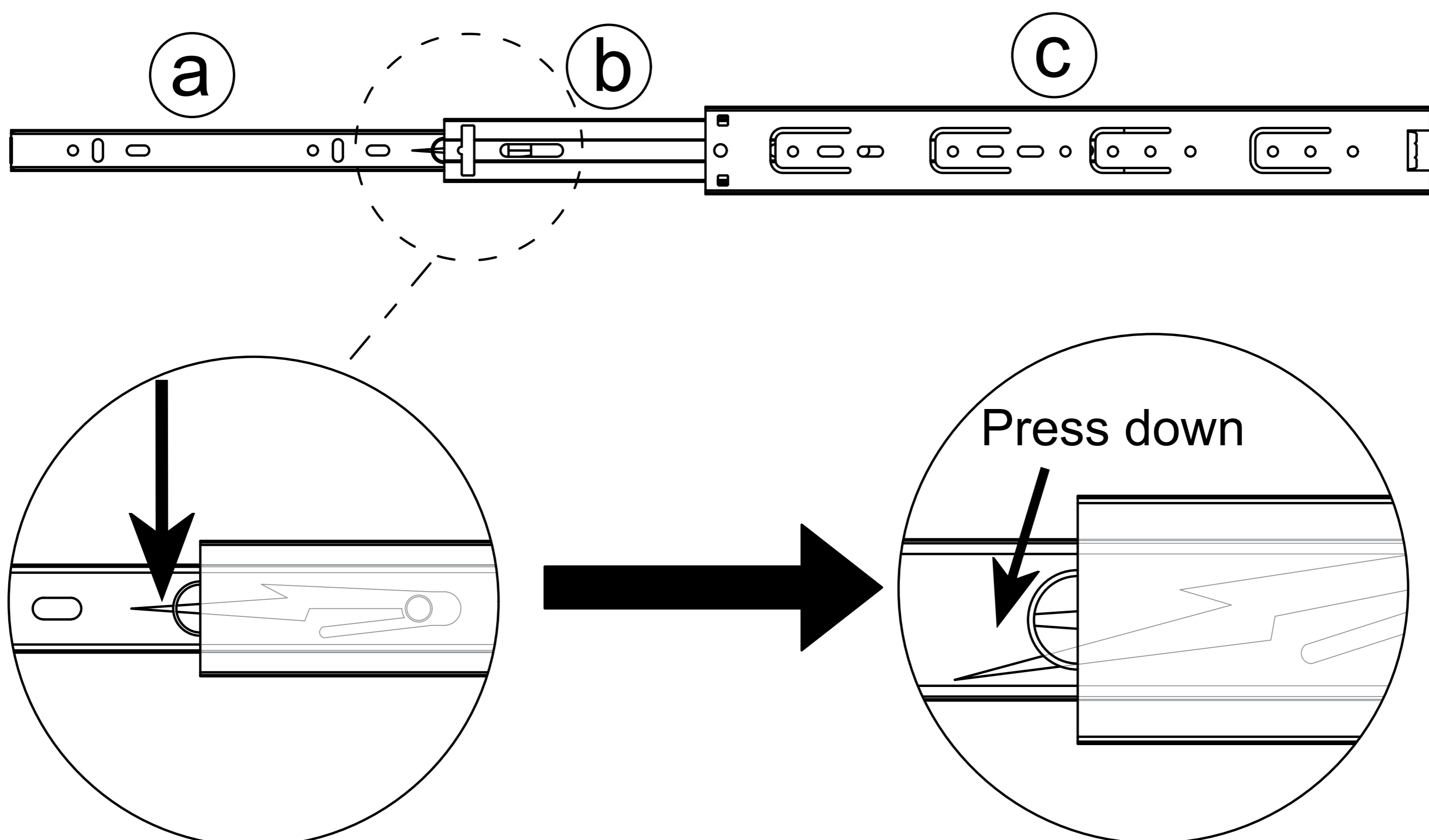
Use parts ④

Drawer rail breakdown diagram



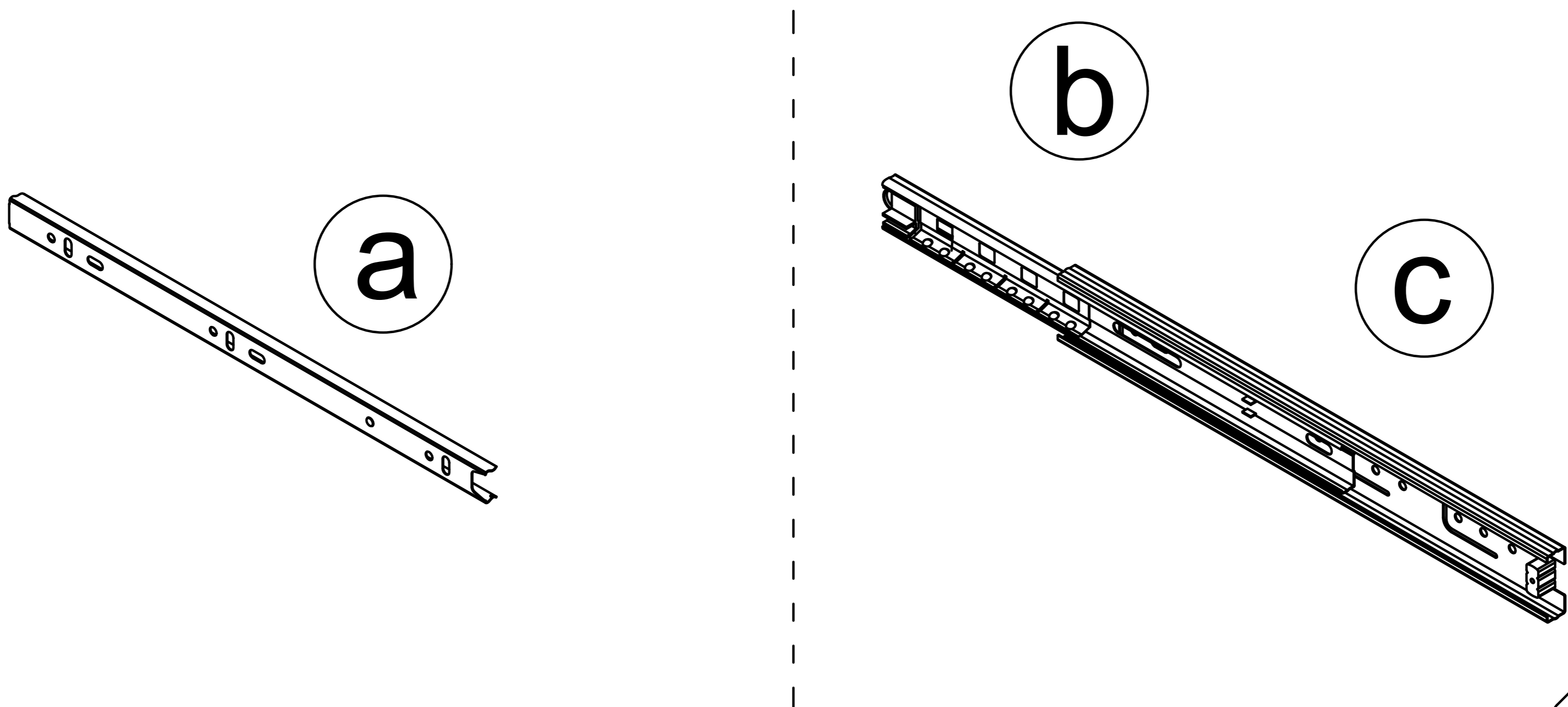
① Dismantle the schematic diagram

Step 1 : Pull the rails apart

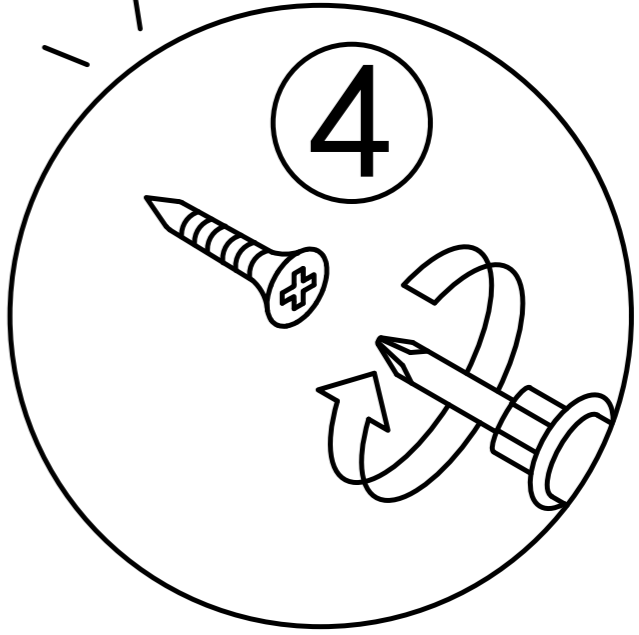
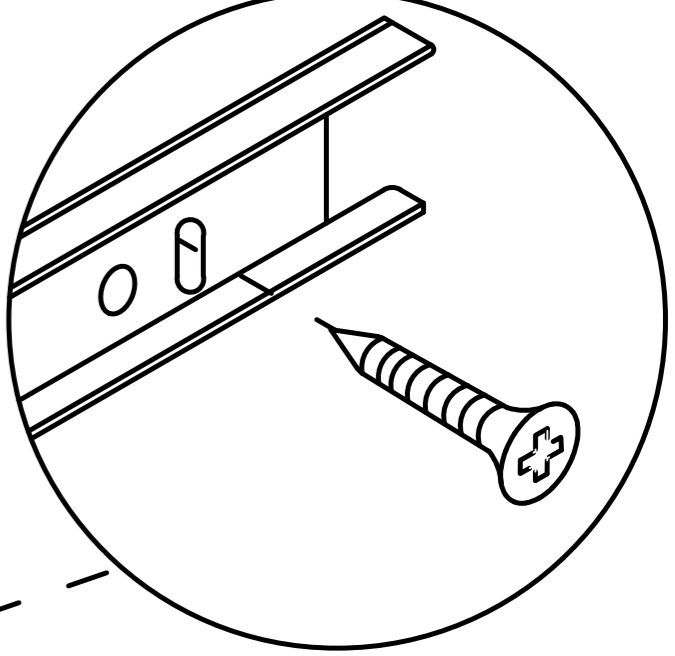
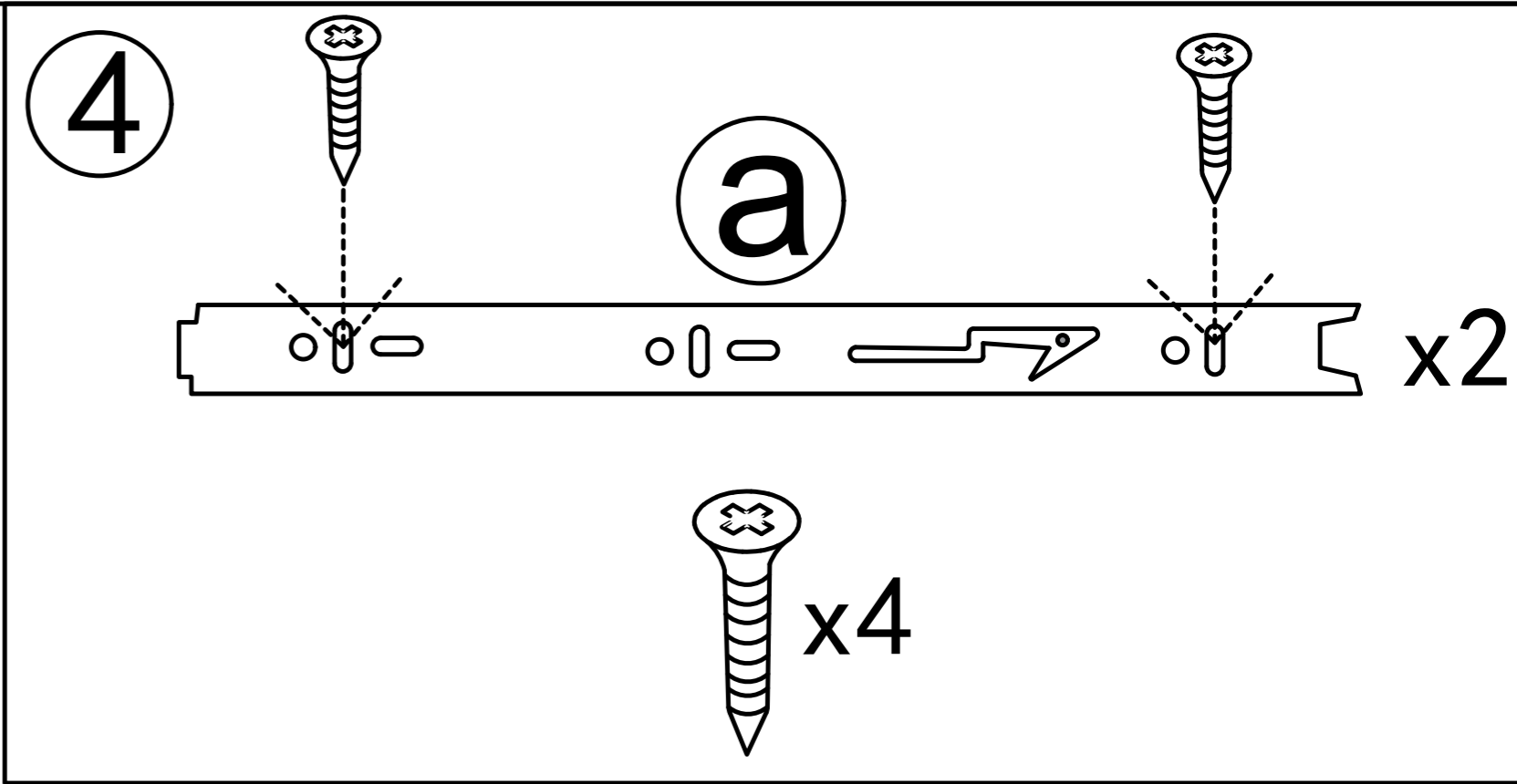
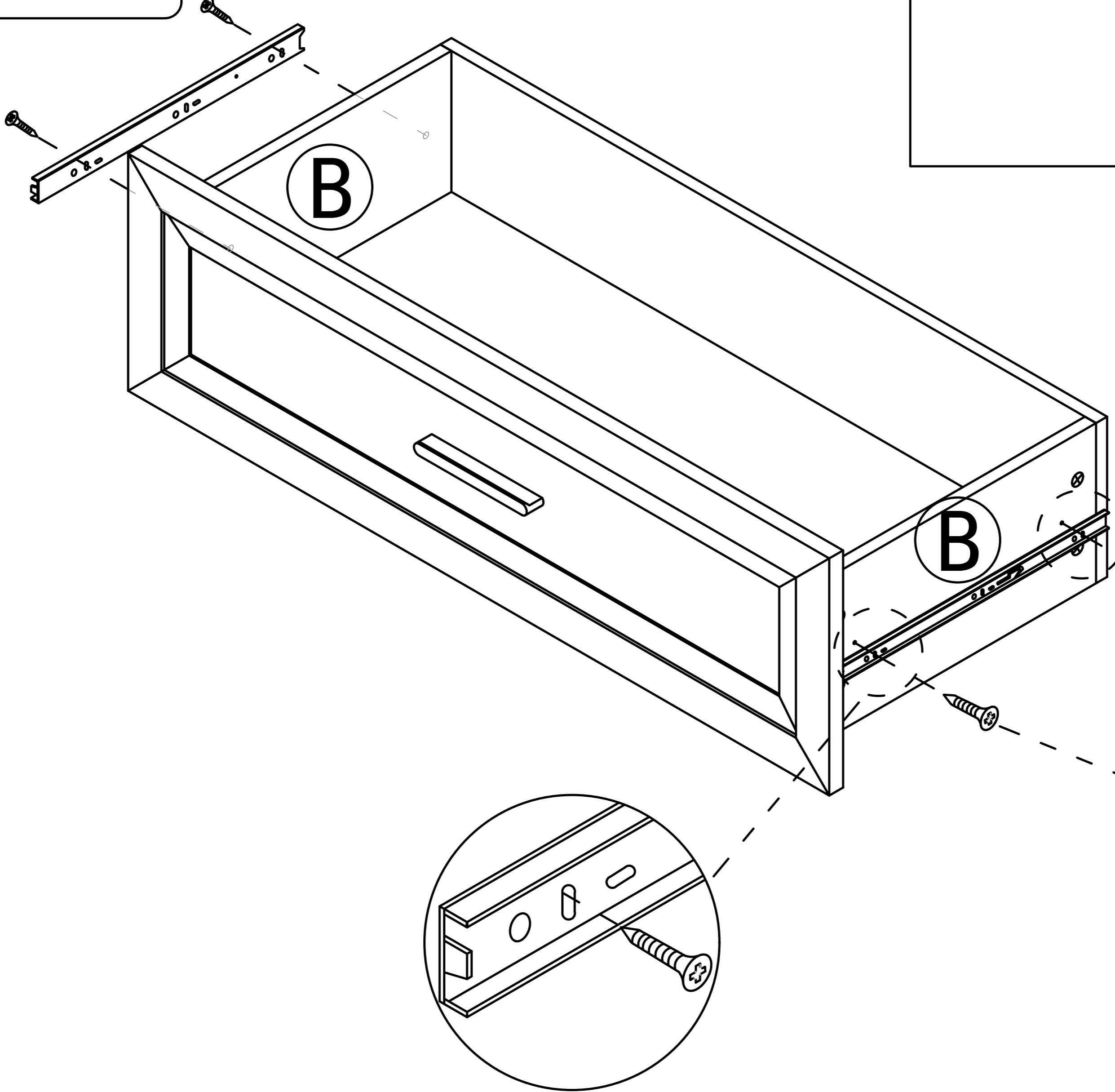


Step 2 : Press the nylon button and pull out ①.

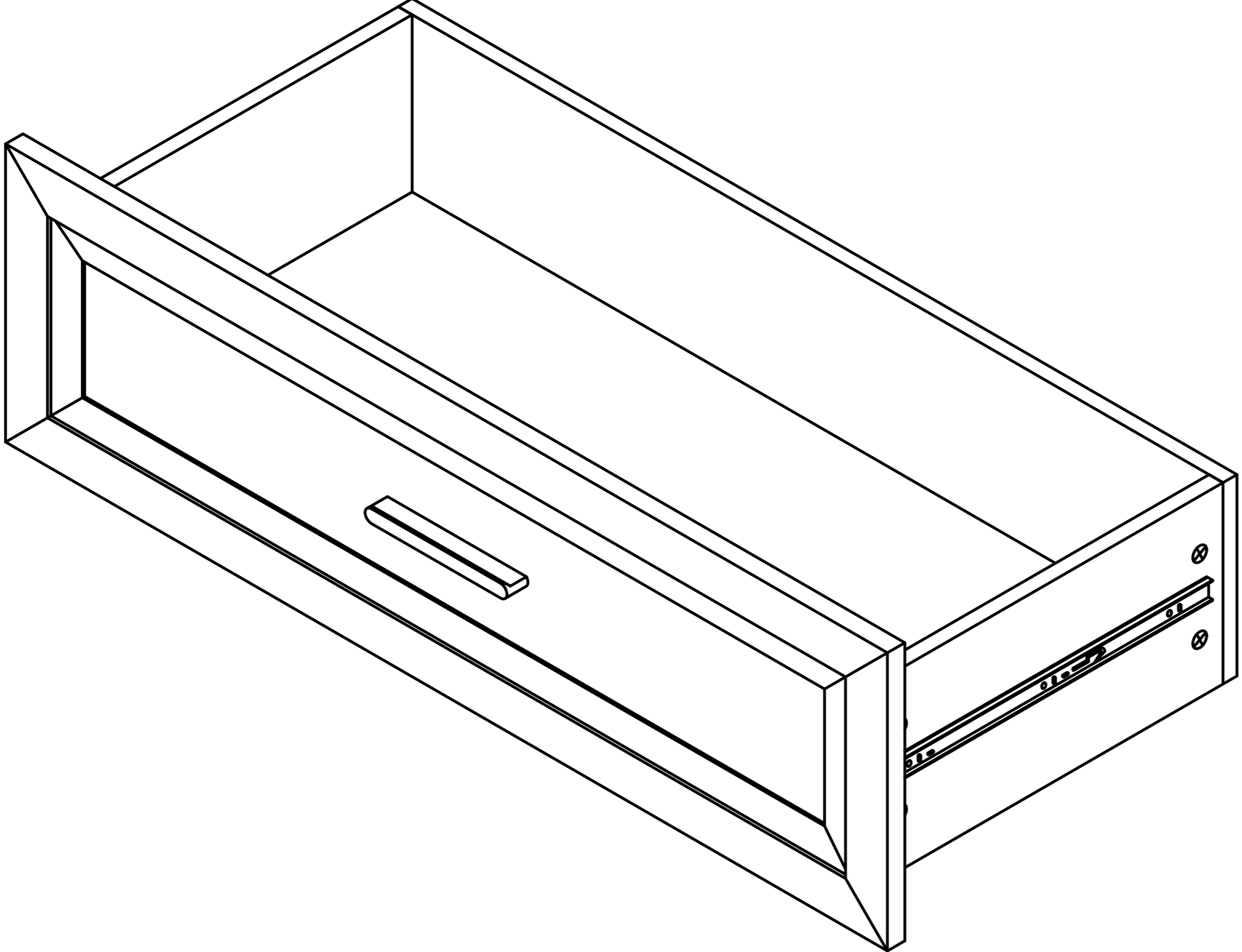
Drawer rail decomposition completed schematic diagram

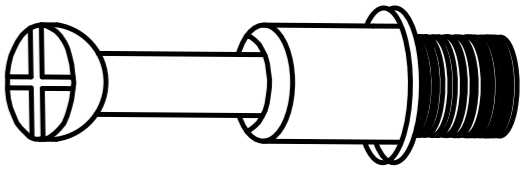
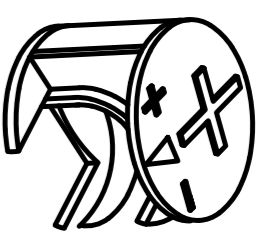
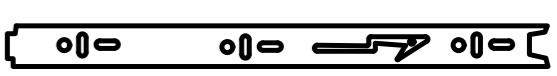

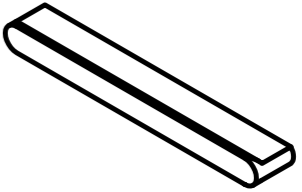



Step 8



Step 9

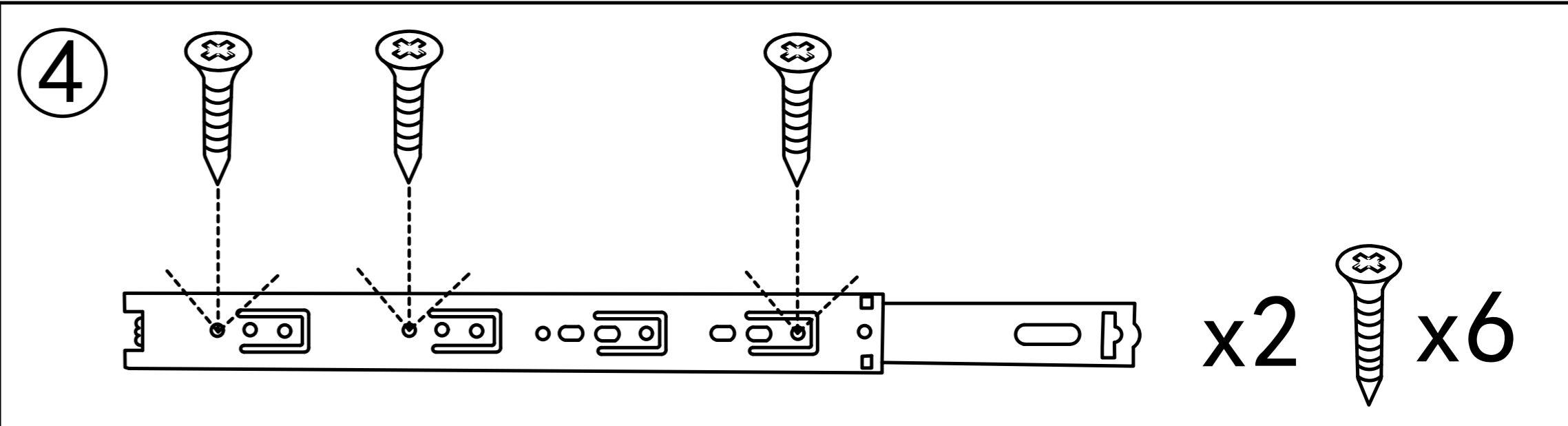


- ①  x12
- ②  x12
- ④  x2
 x4
- ⑤  x1  x2

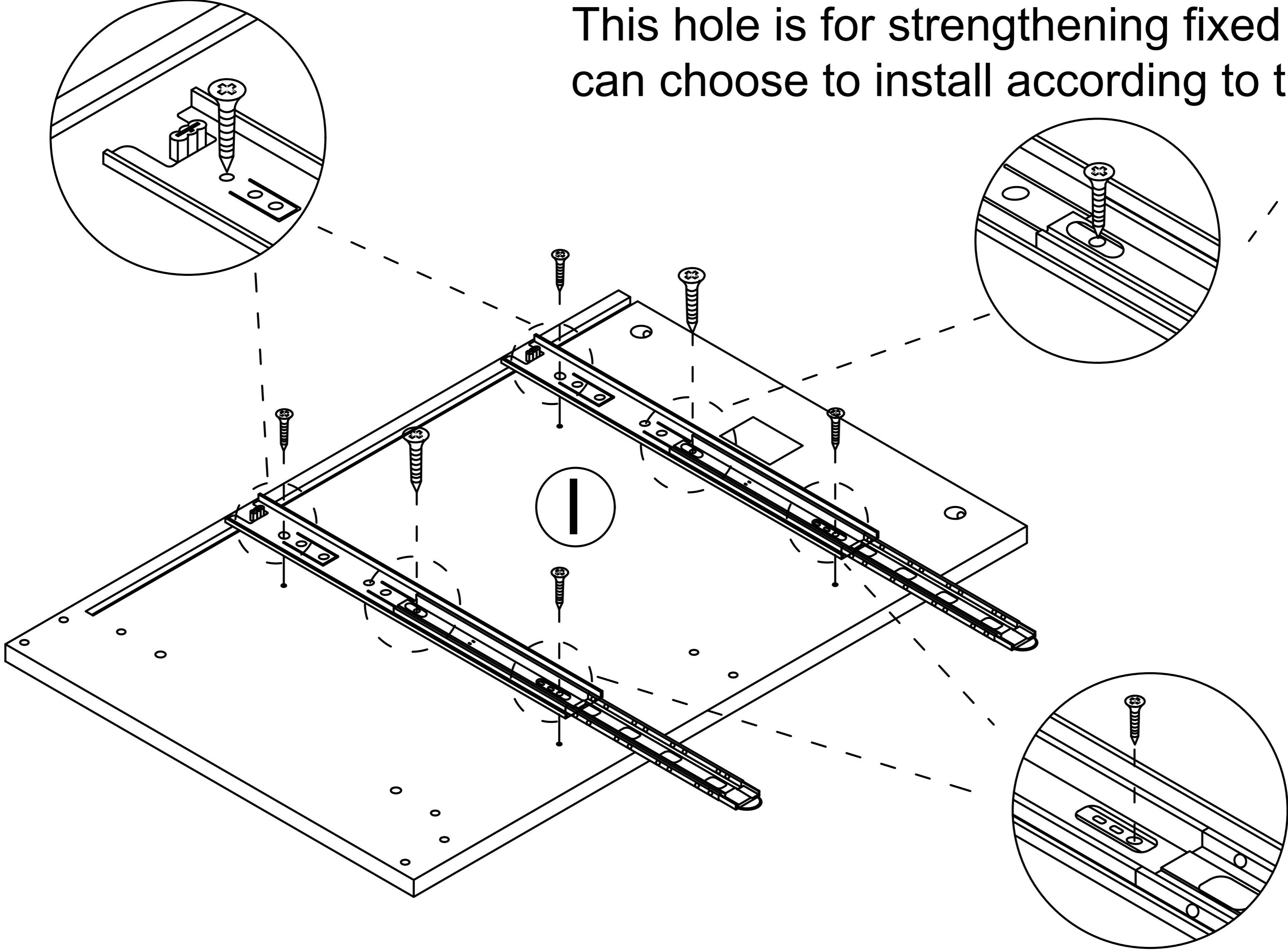
x2

Repeat the drawer installation steps

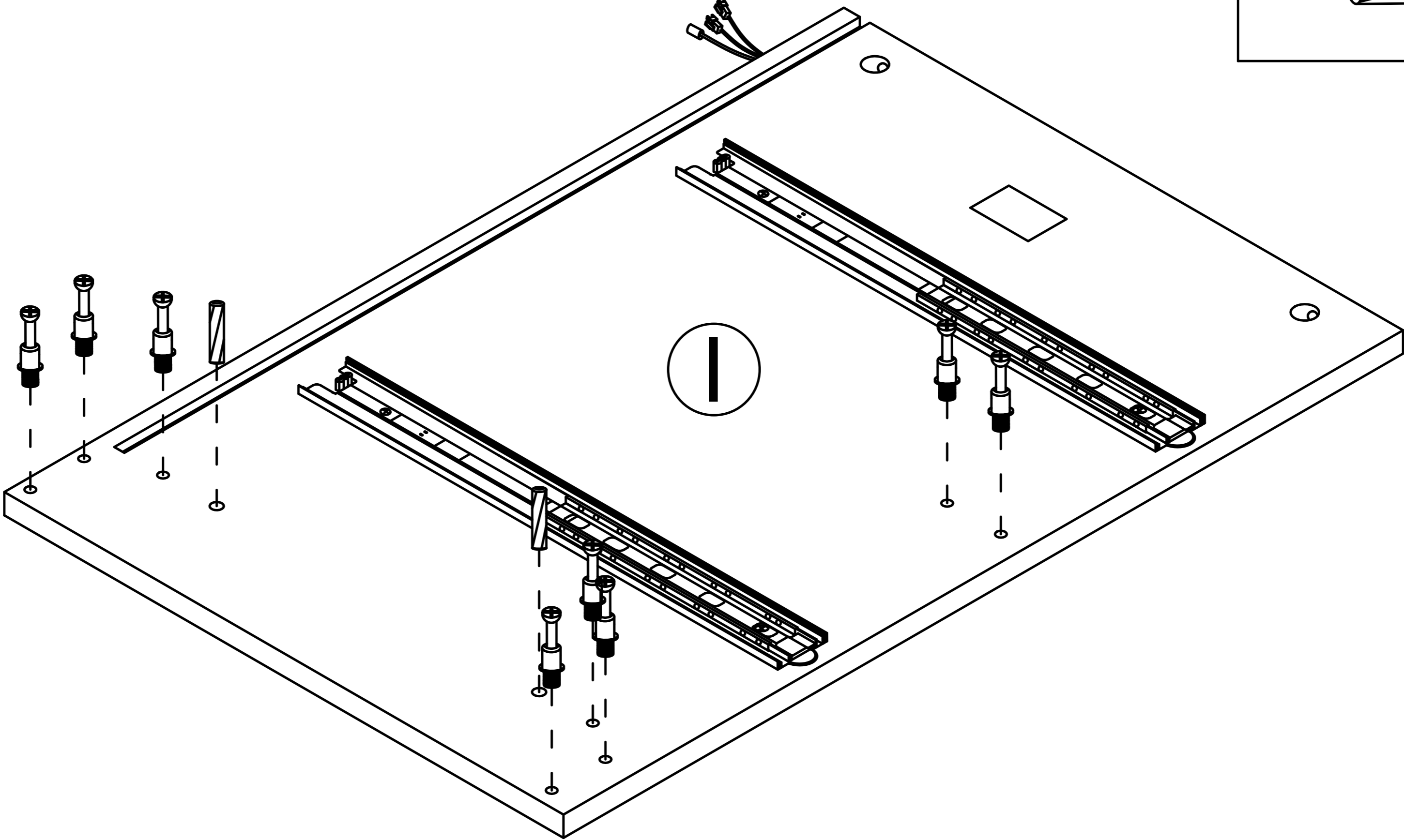
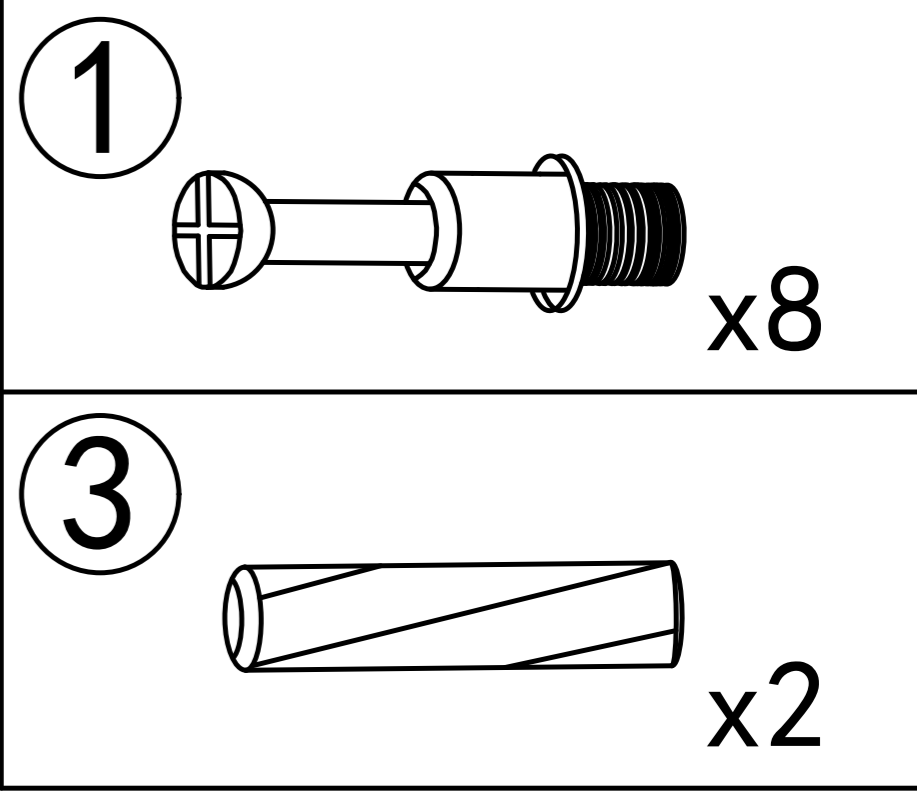
Step 10



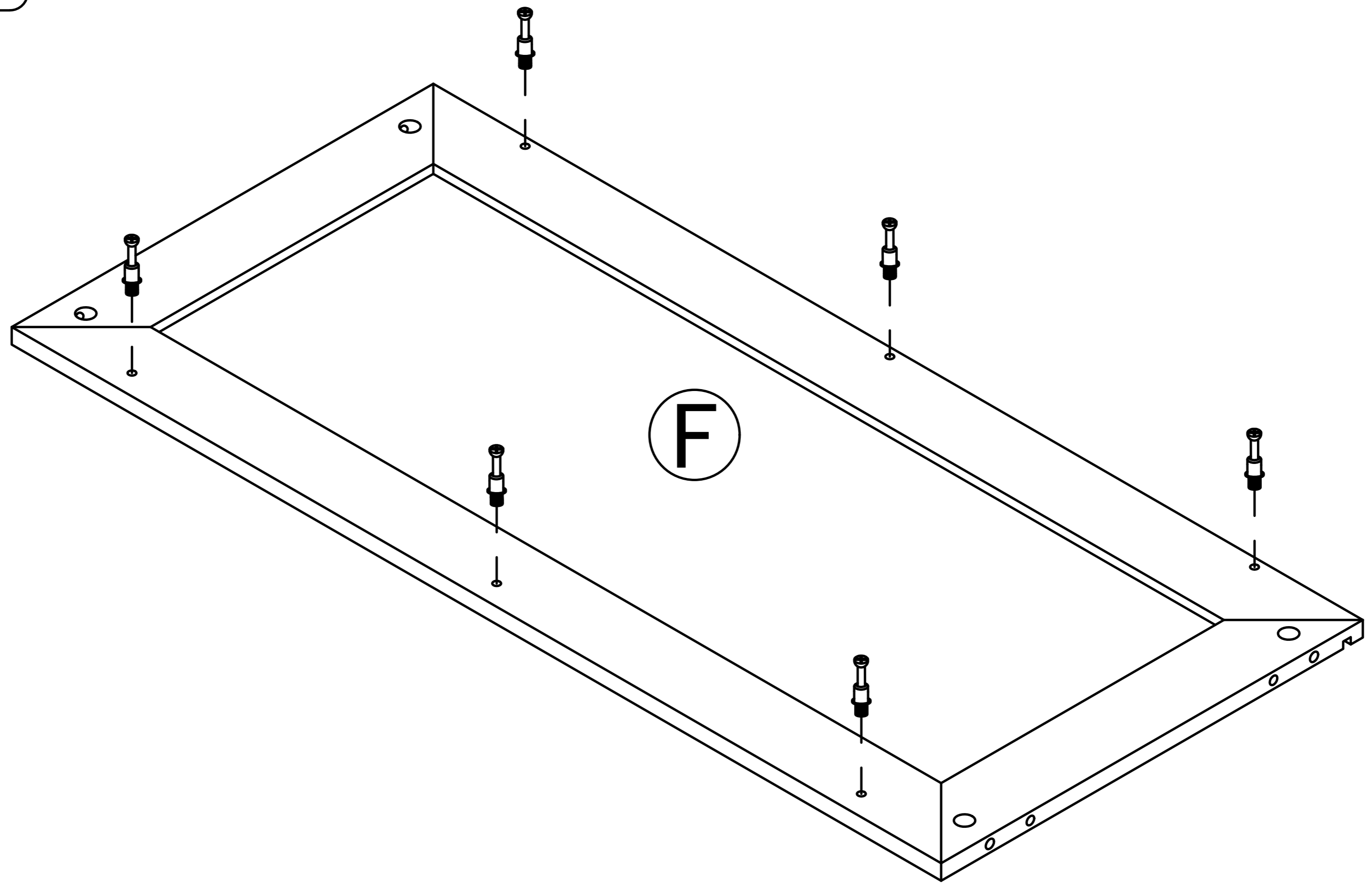
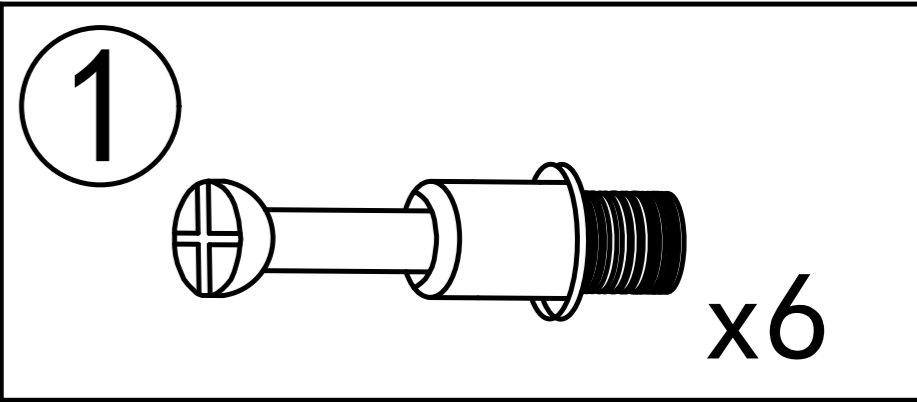
This hole is for strengthening fixed hole customers can choose to install according to their needs.



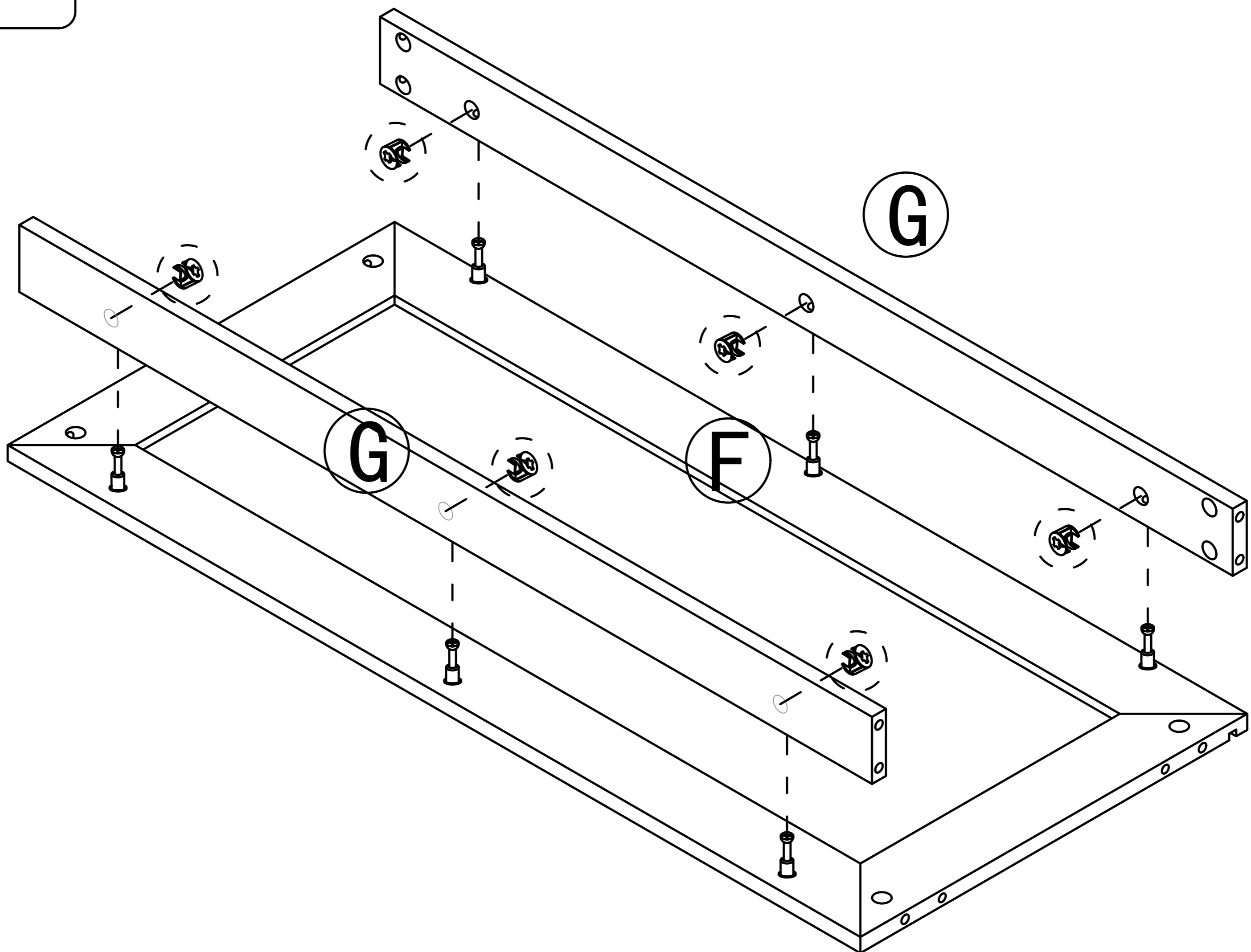
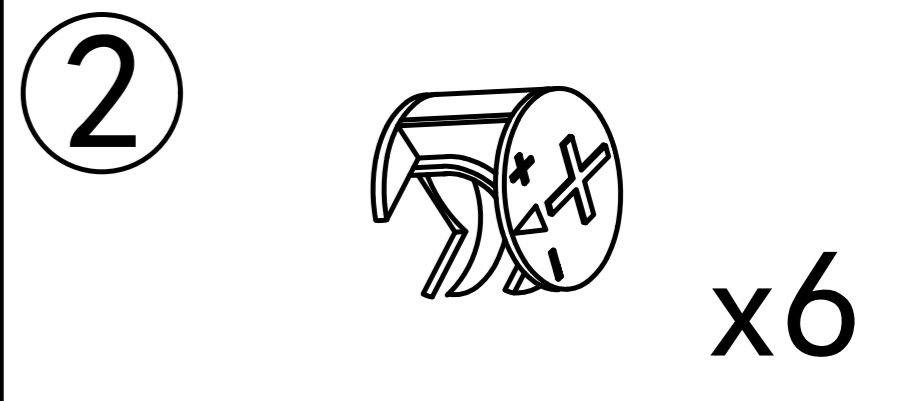
Step 11



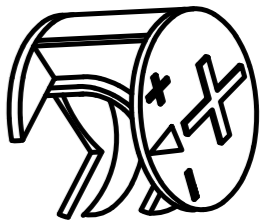
Step 12

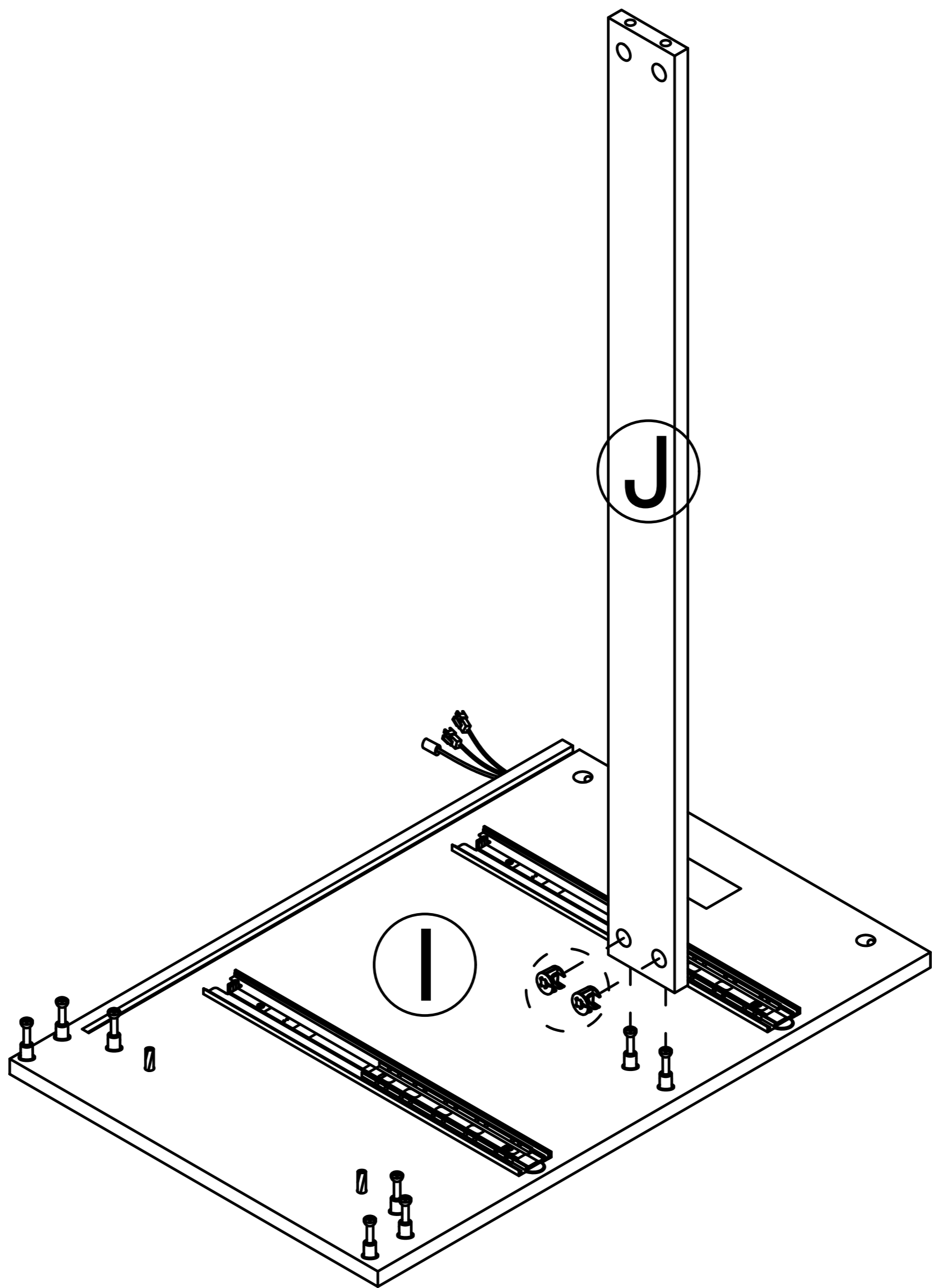


Step 13

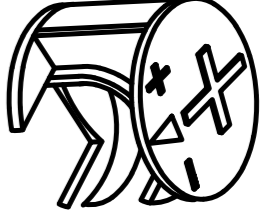


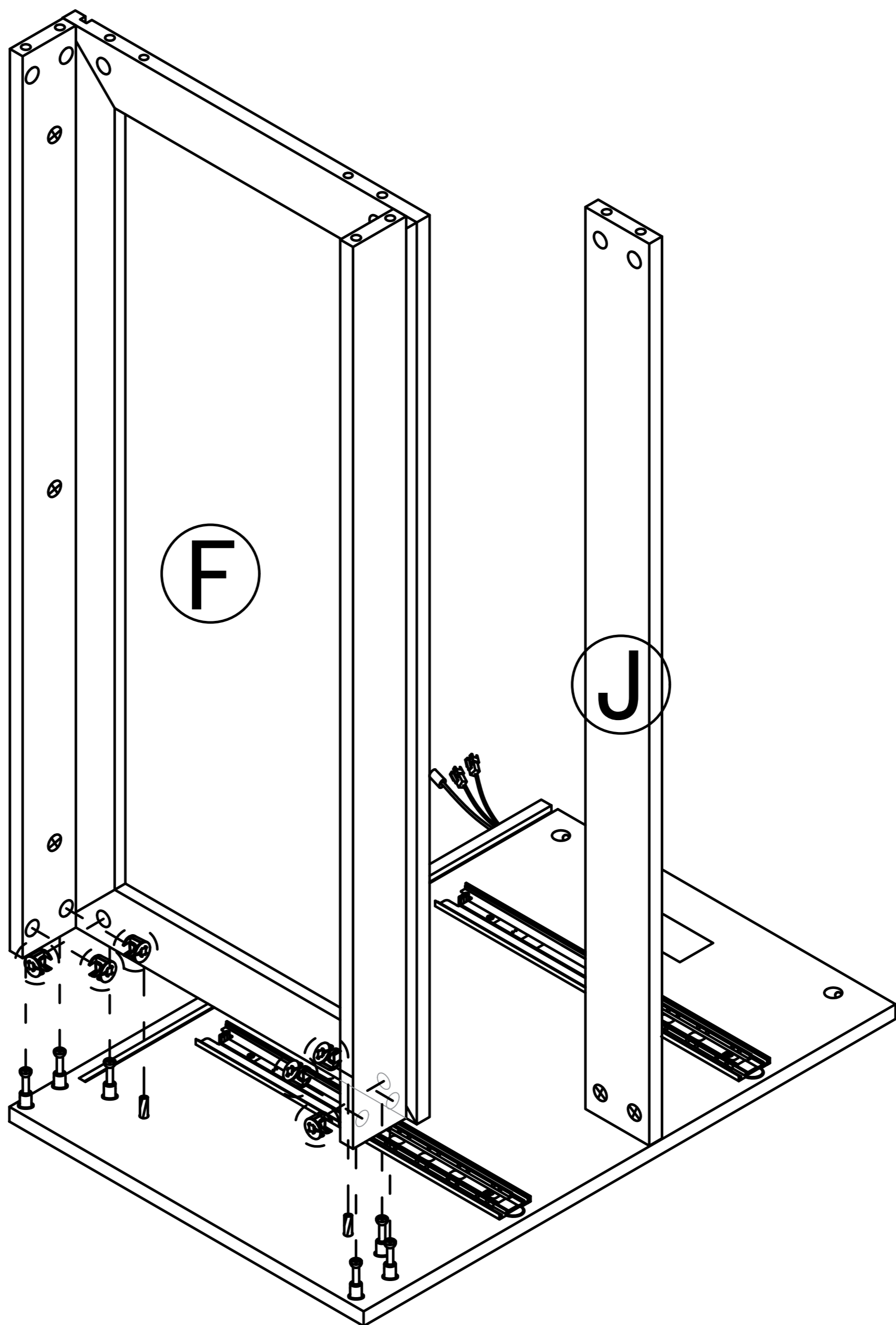
Step 14

②  x2

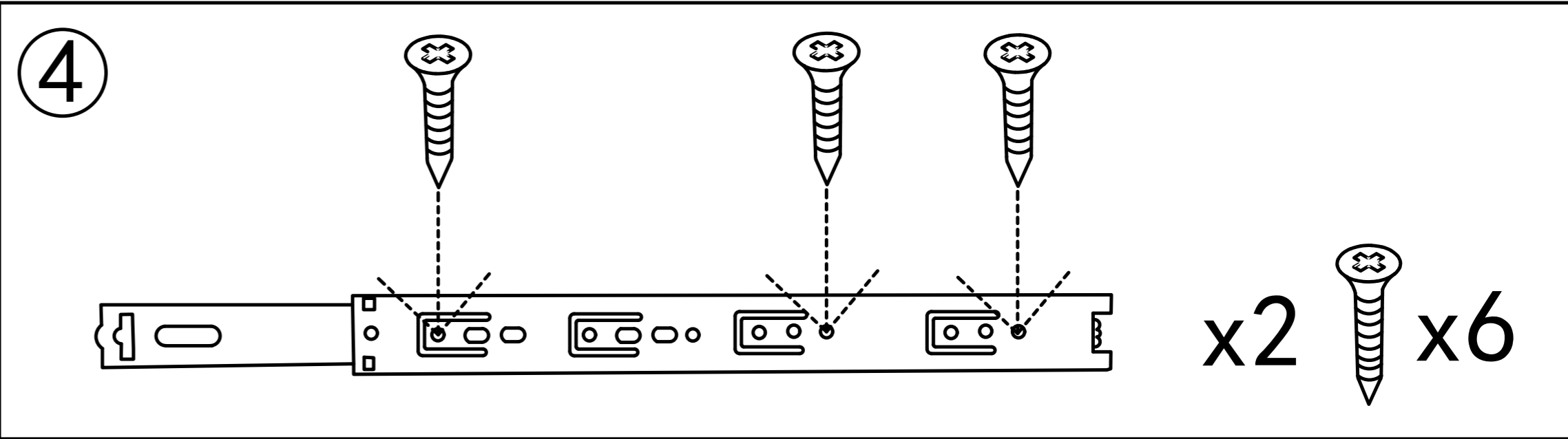


Step 15

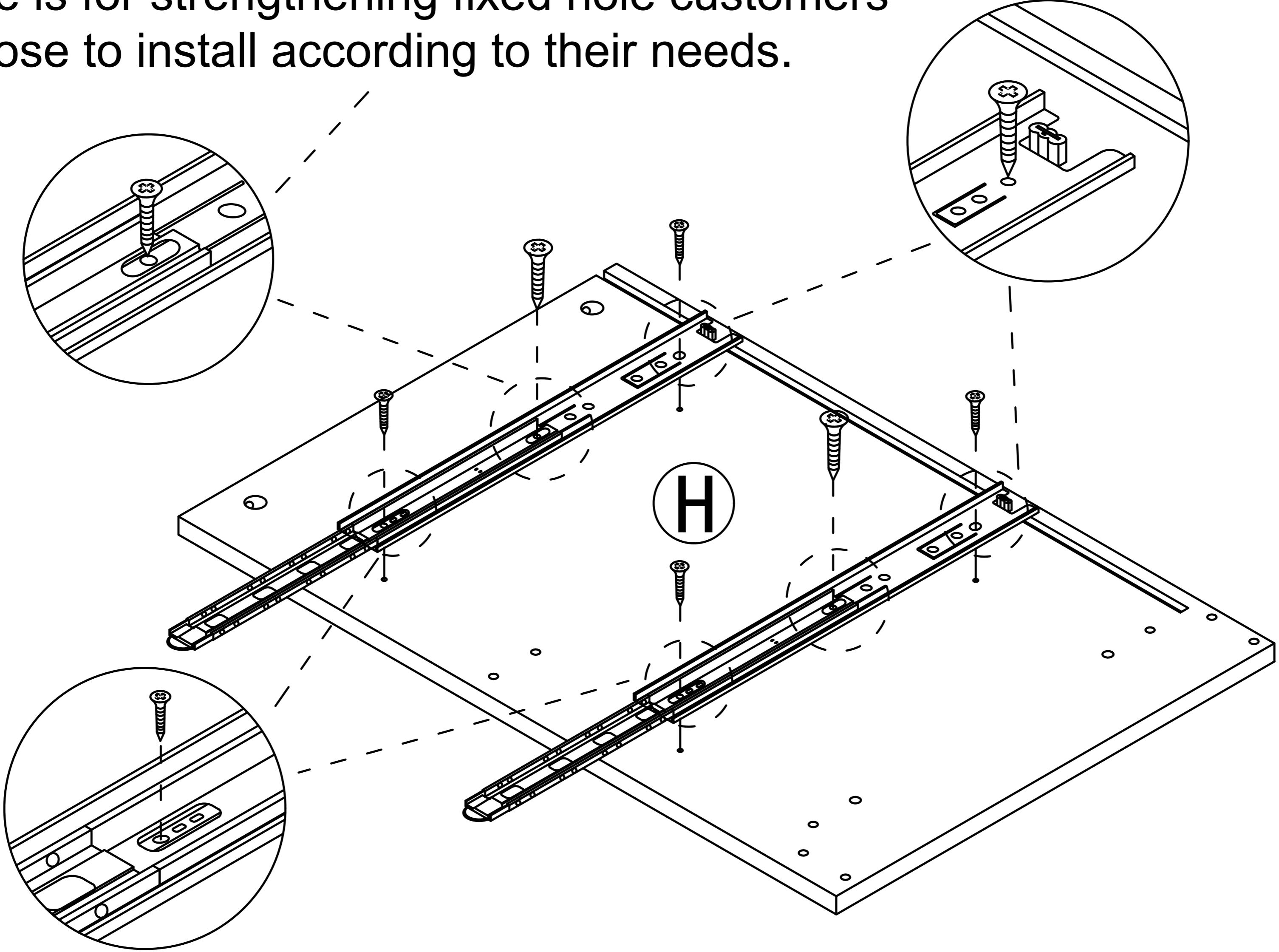
②  x6



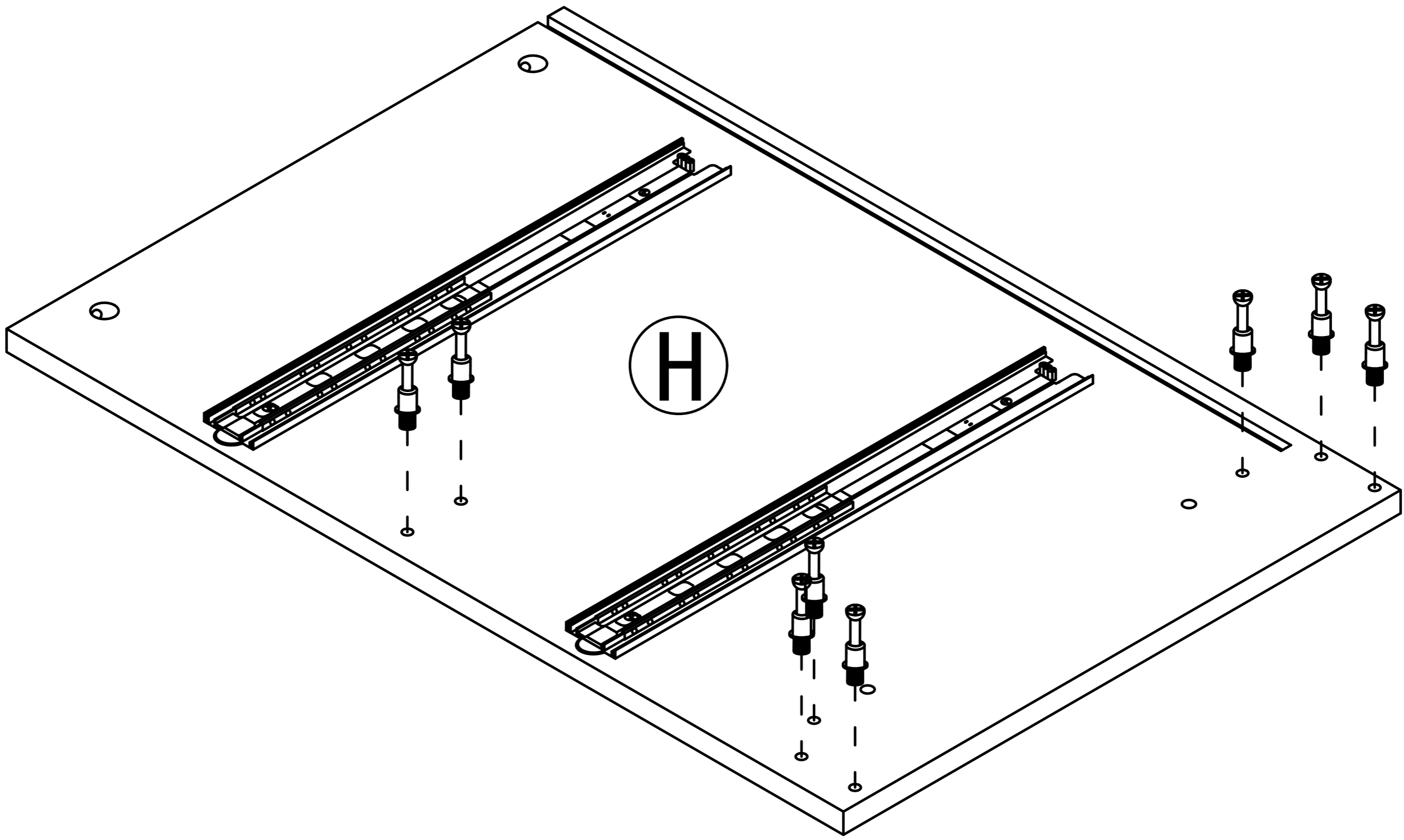
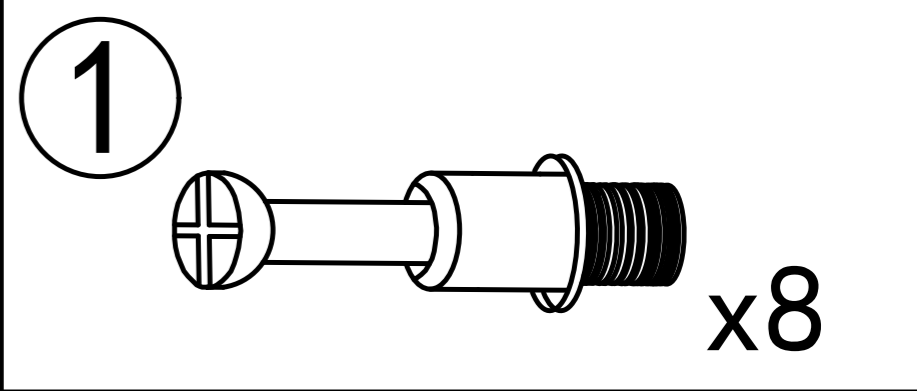
Step 16



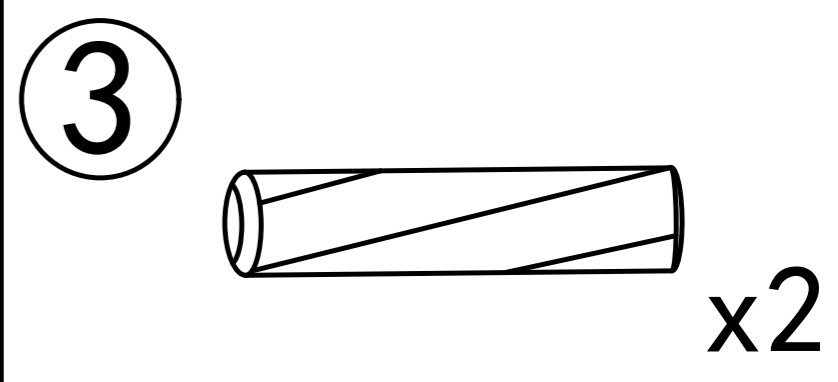
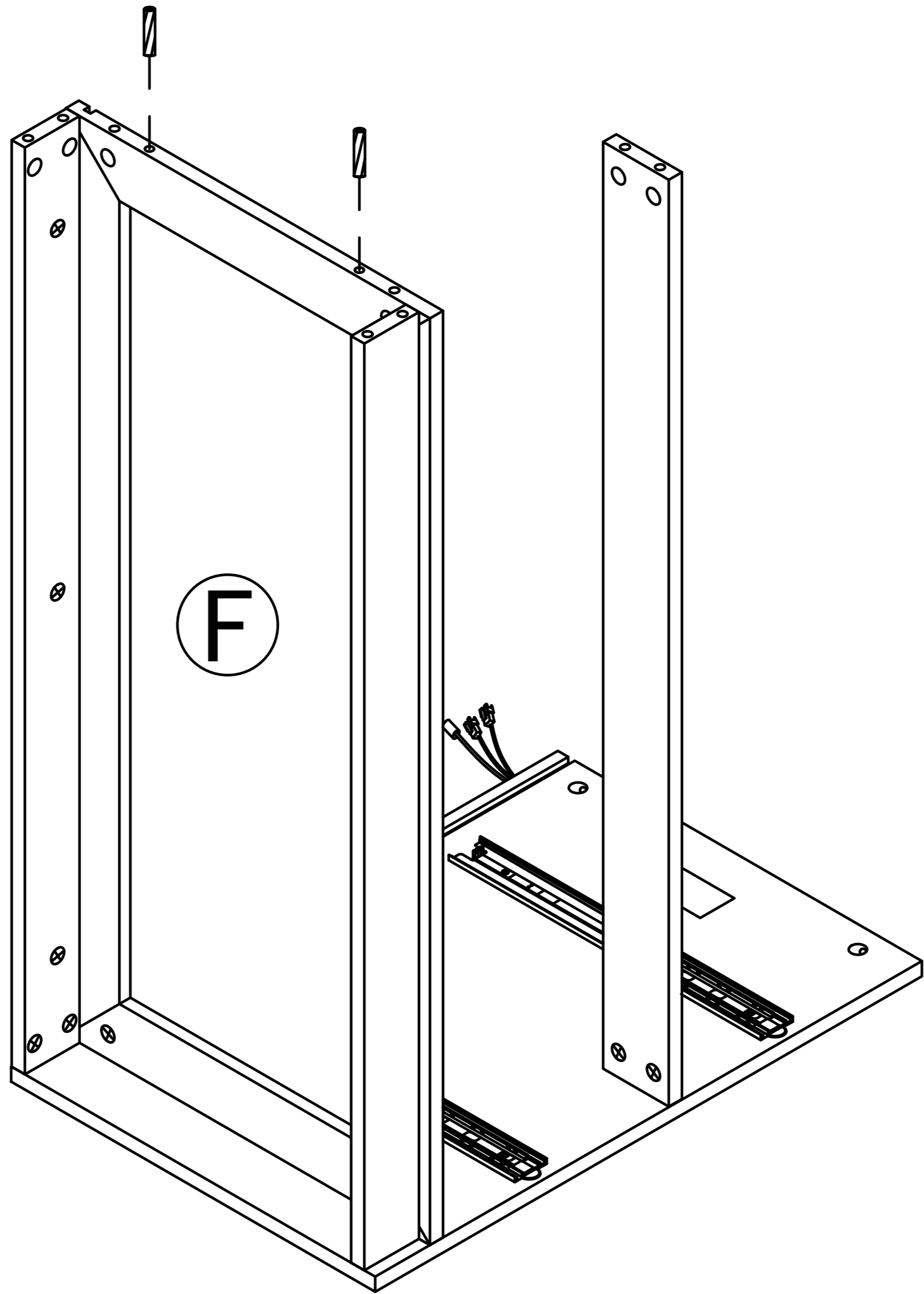
This hole is for strengthening fixed hole customers can choose to install according to their needs.



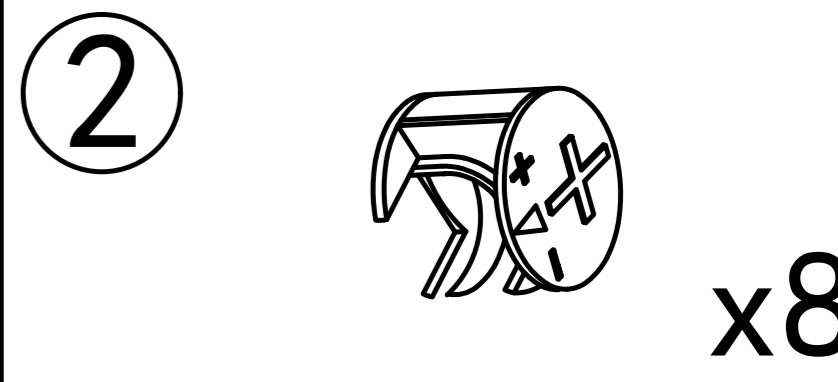
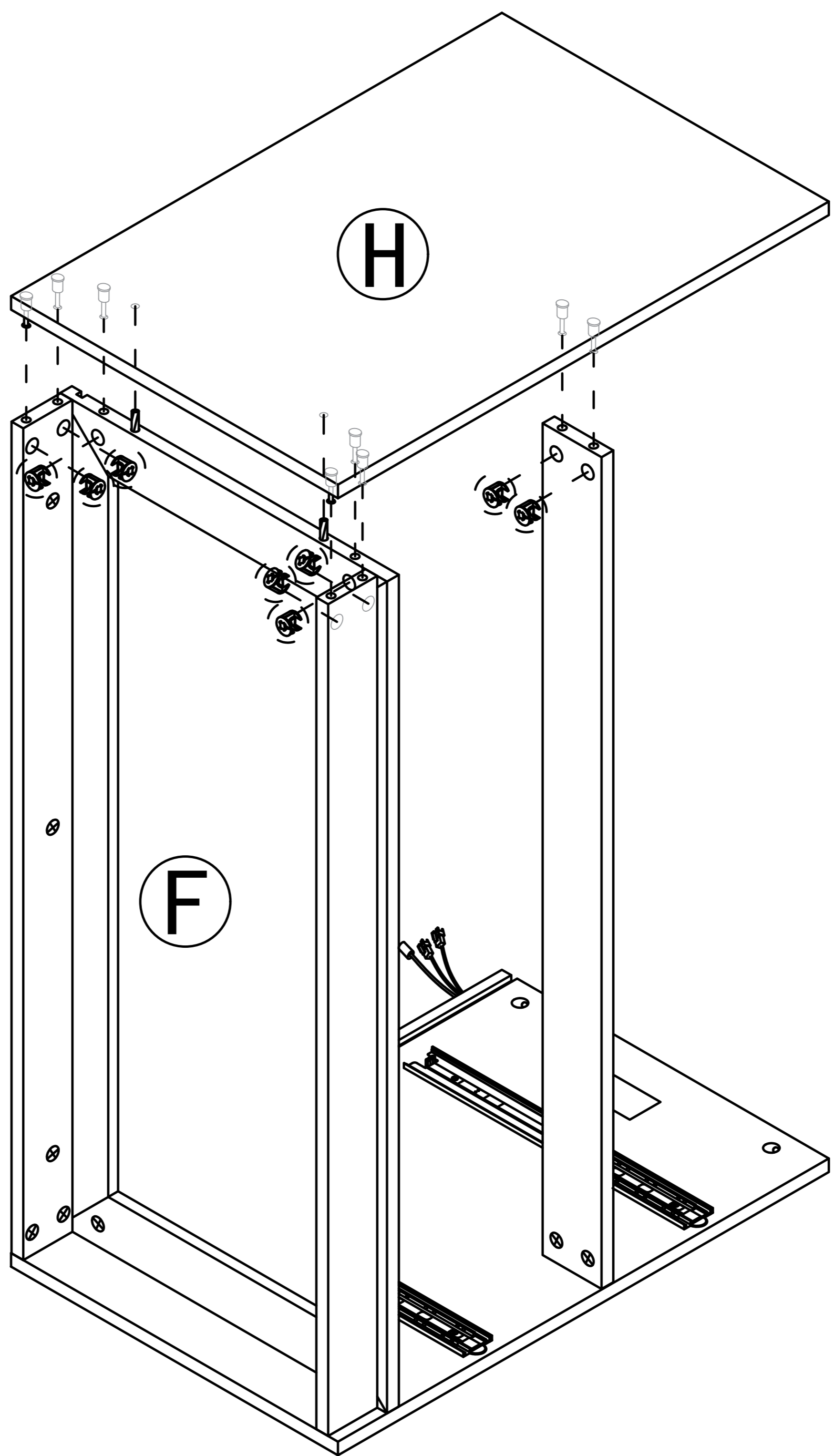
Step 17



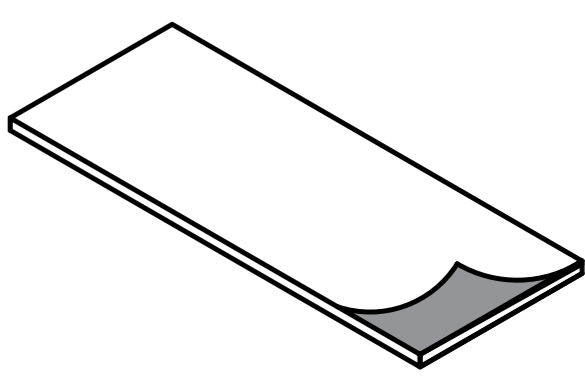
Step 18

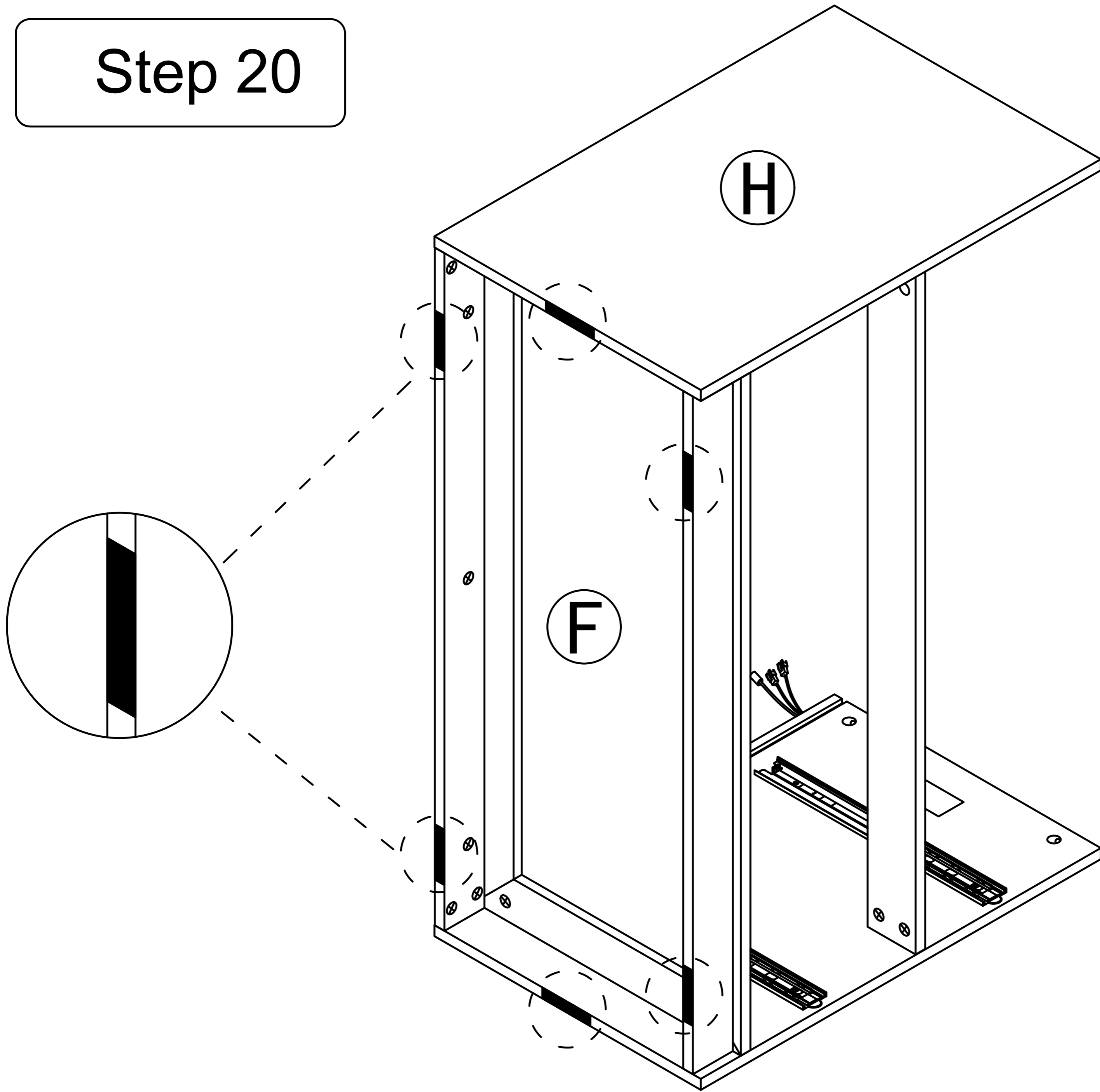


Step 19

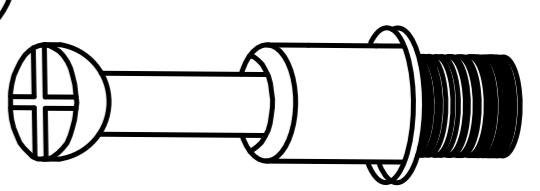


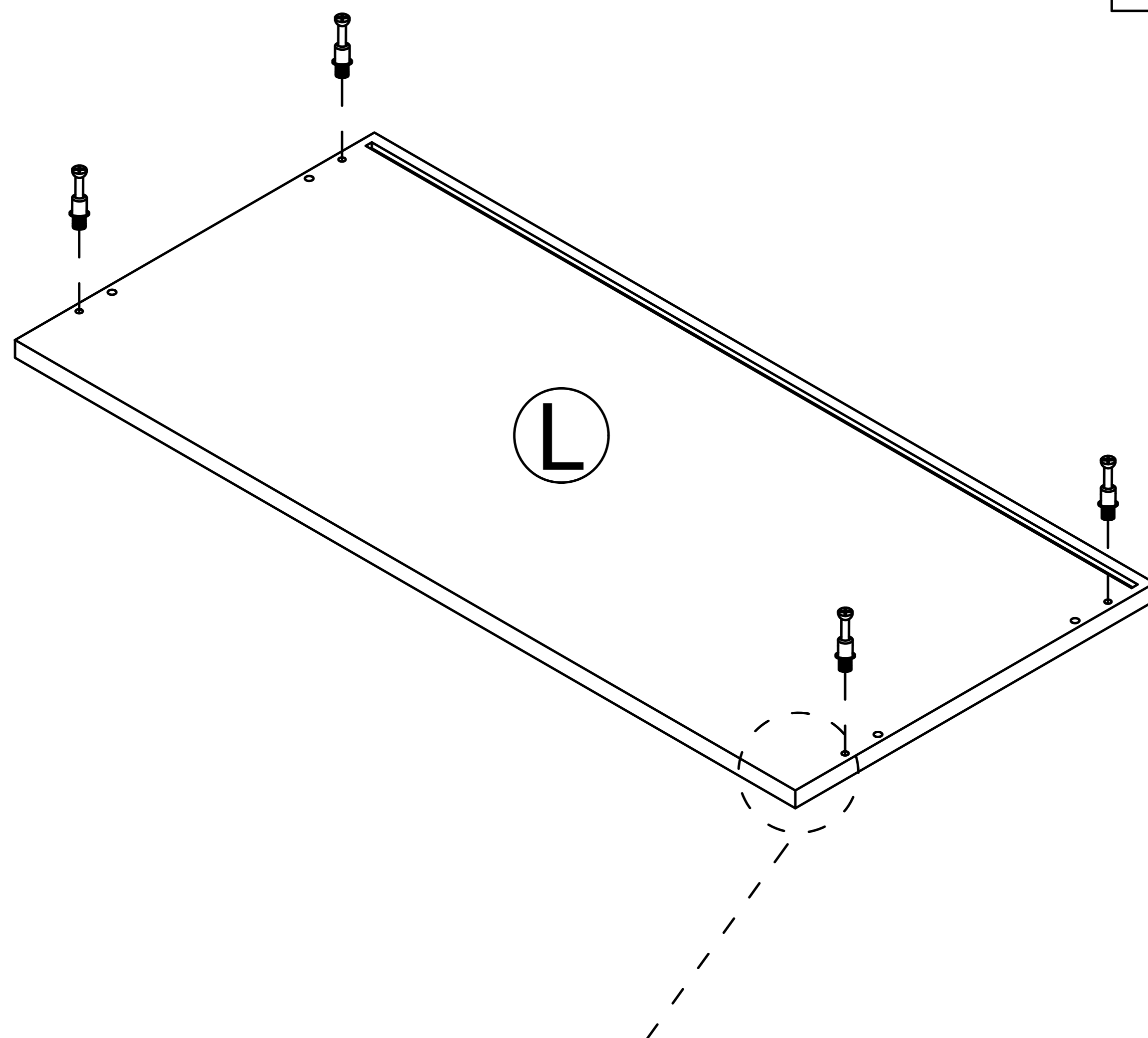
Step 20

6  x6
Tear off release paper and stick the black foot pad on the board



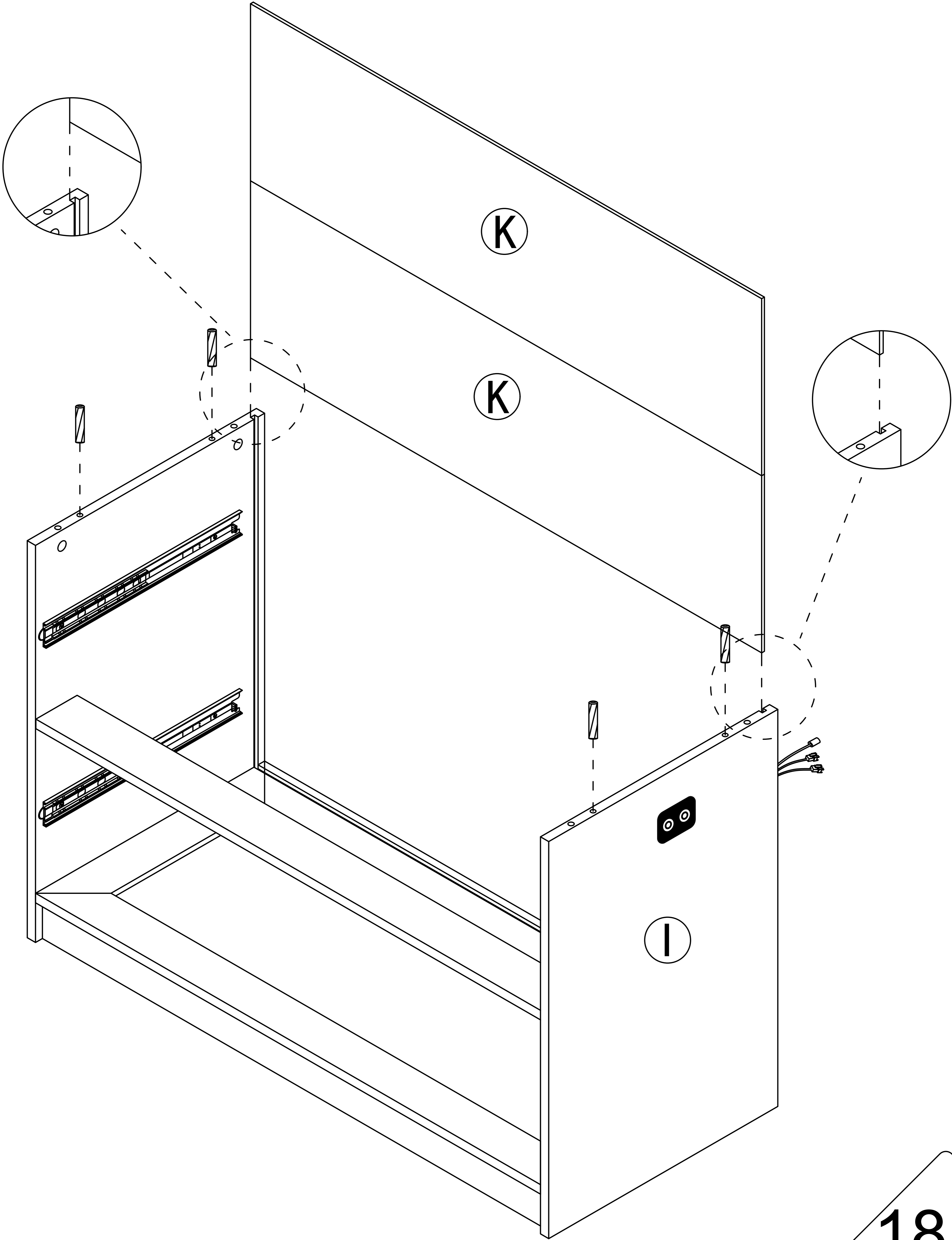
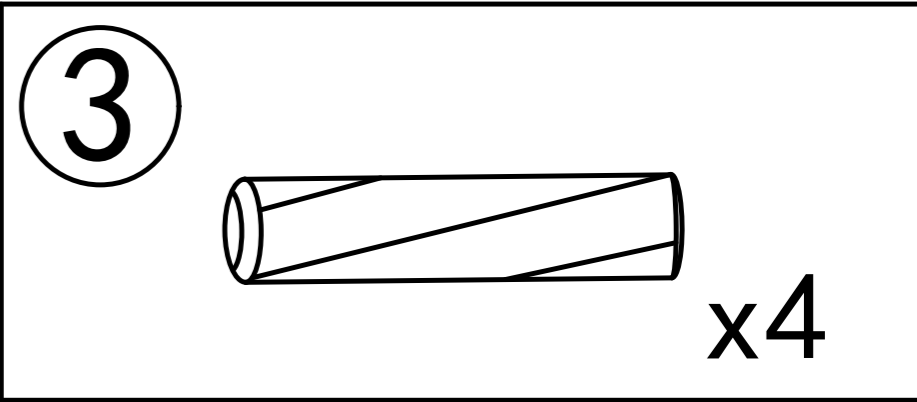
Step 21

1  x4

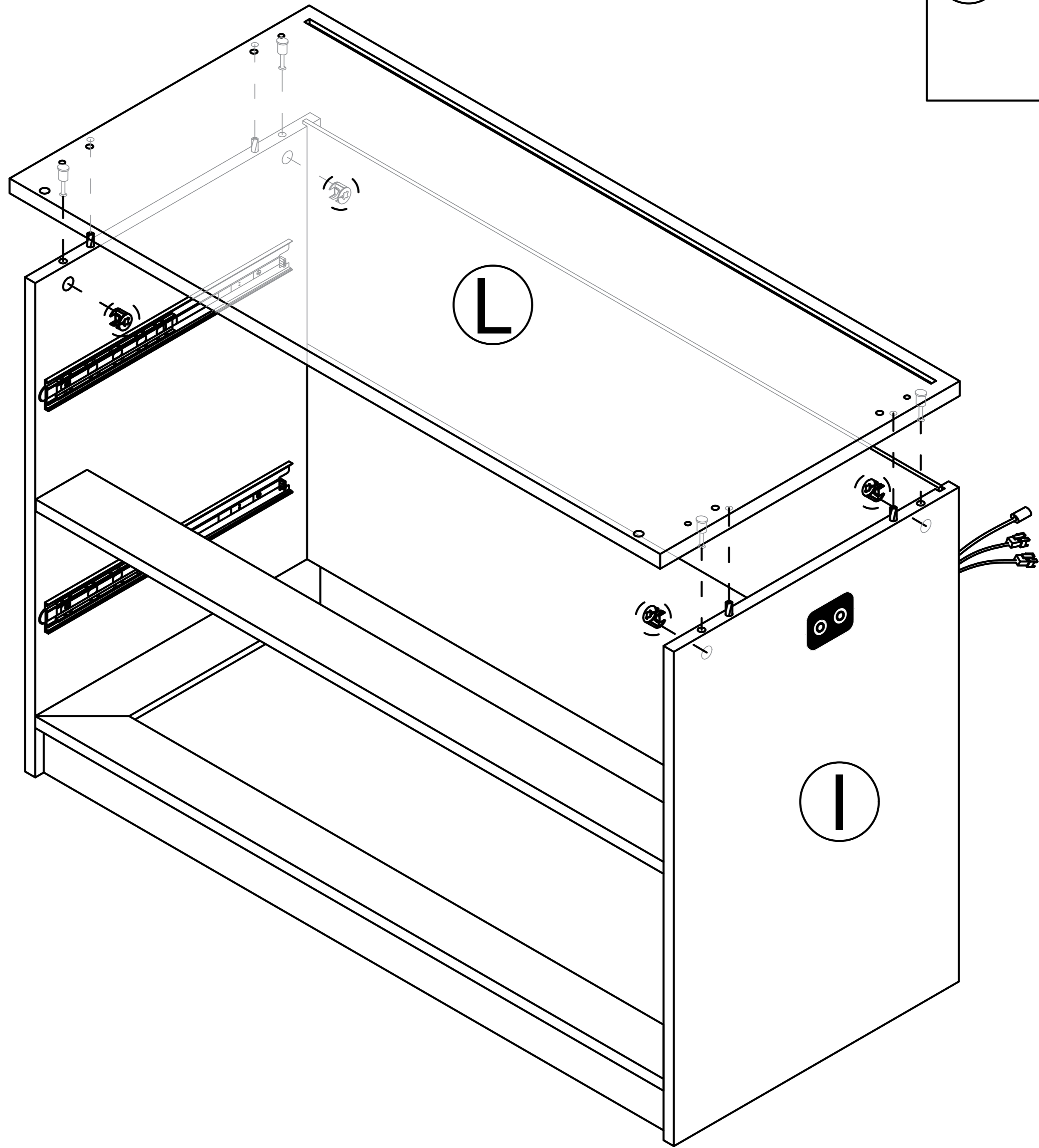
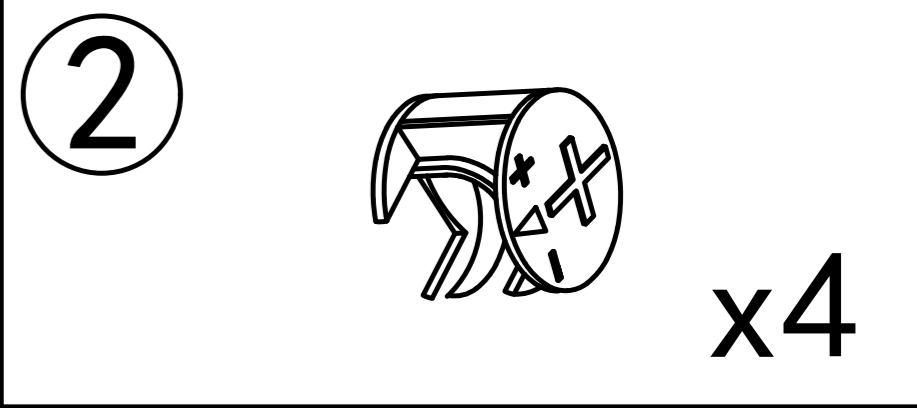


Note: There is no hole in this position.

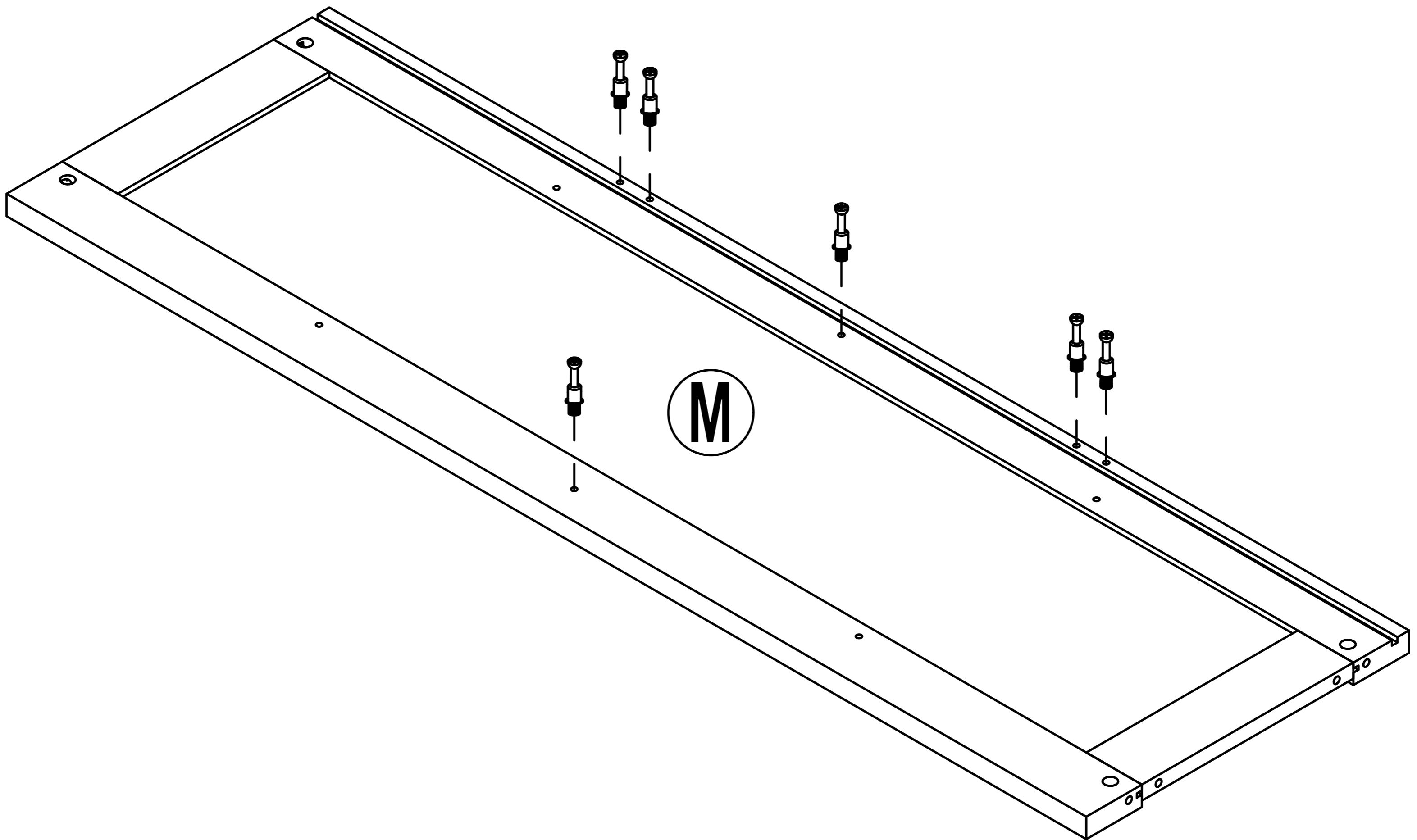
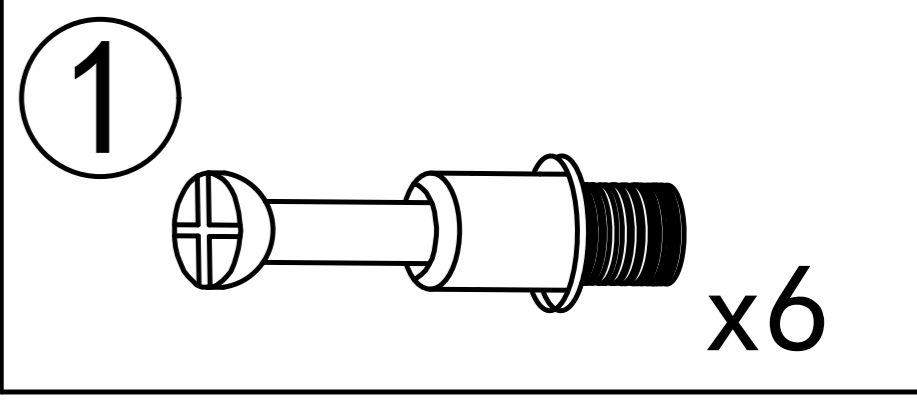
Step 22



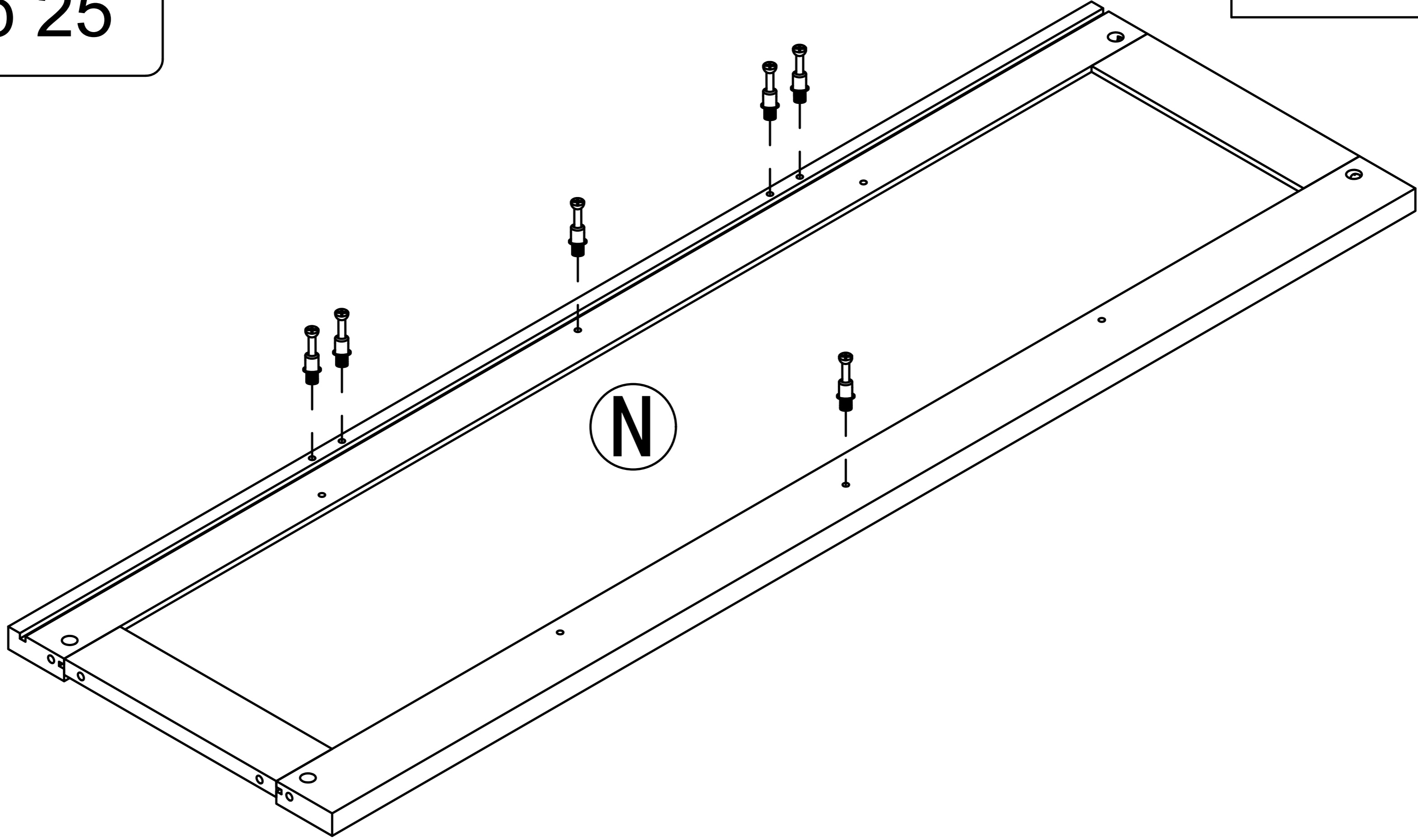
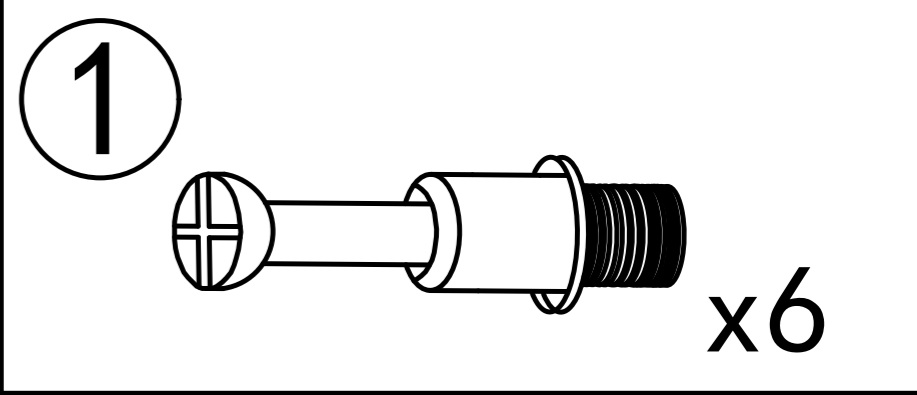
Step 23



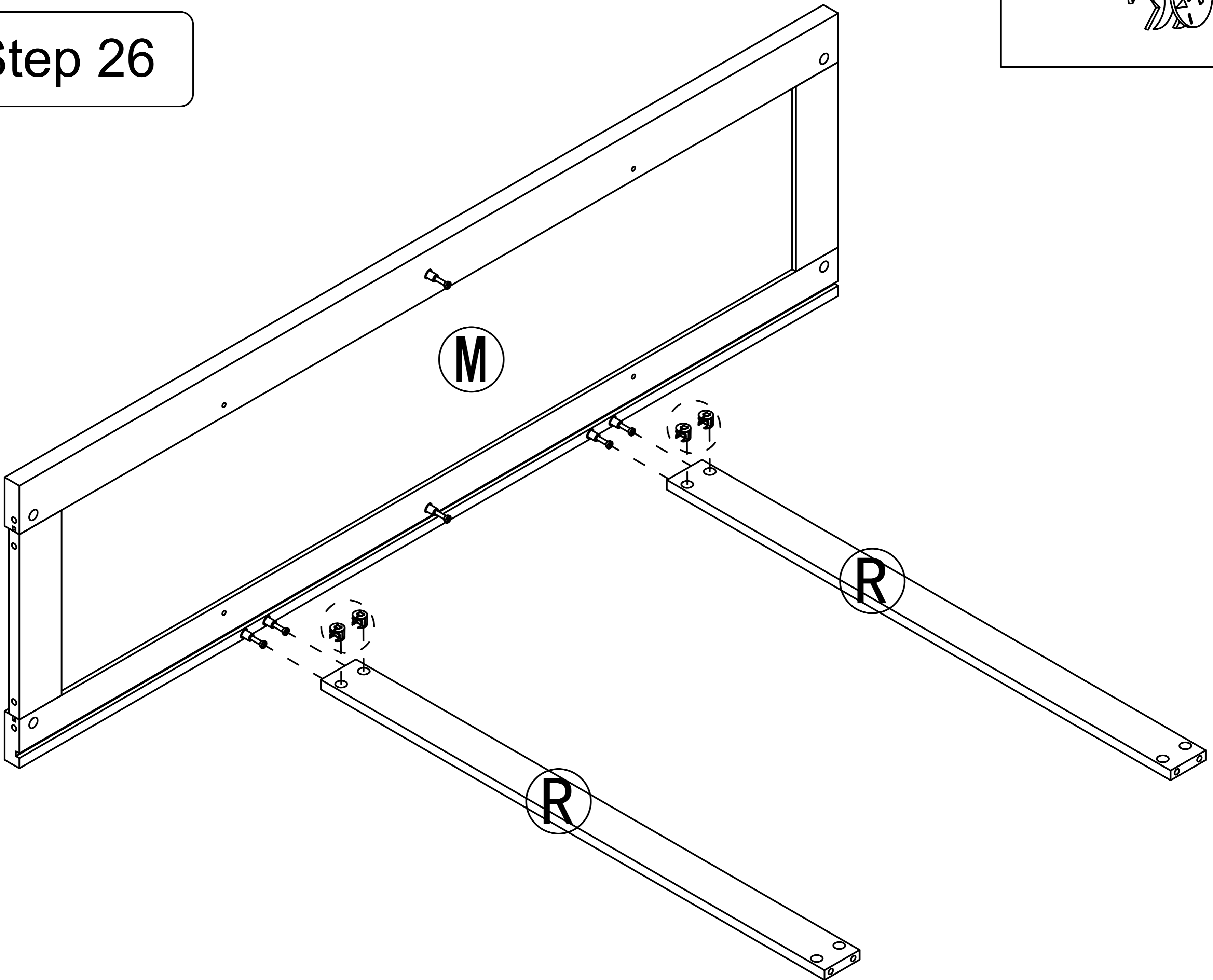
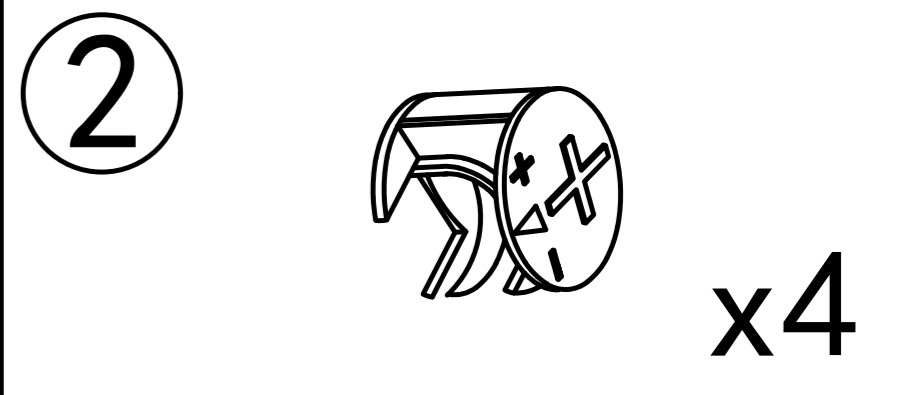
Step 24



Step 25

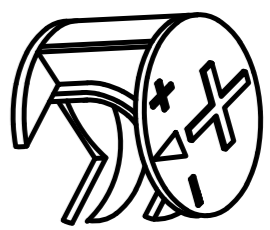


Step 26

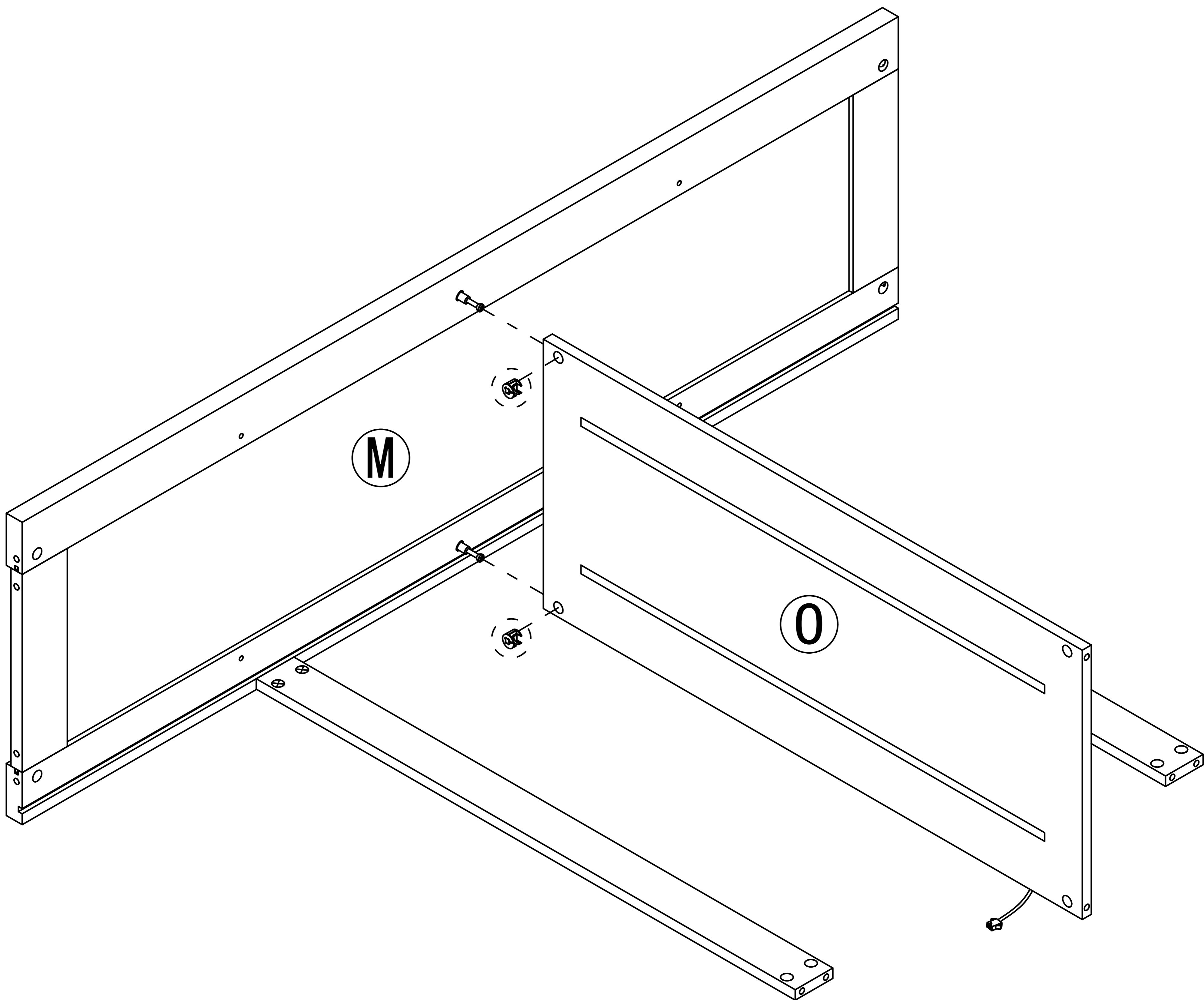


Step 27

2

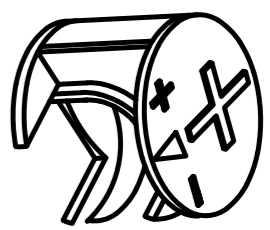


x2

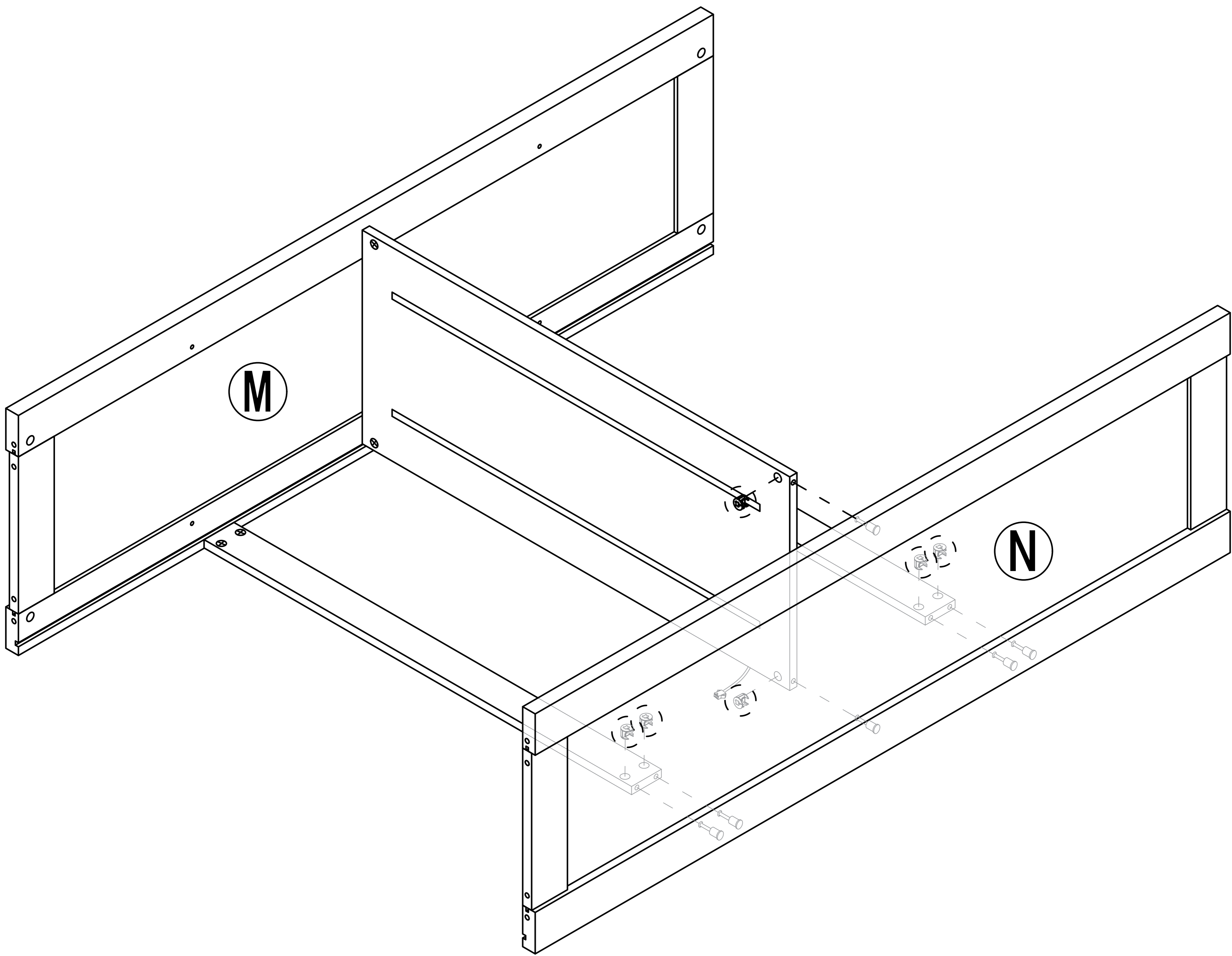


Step 28

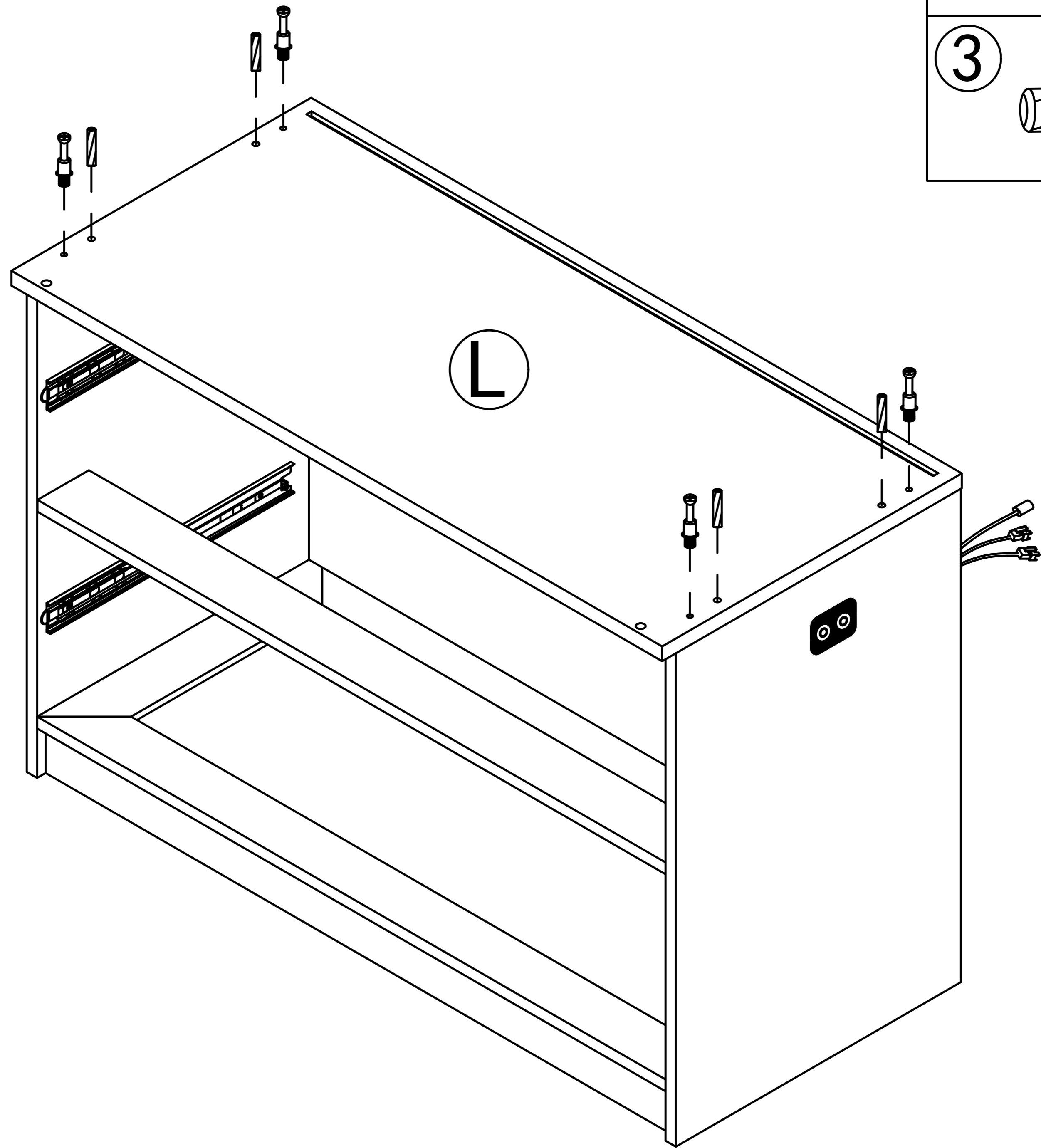
2

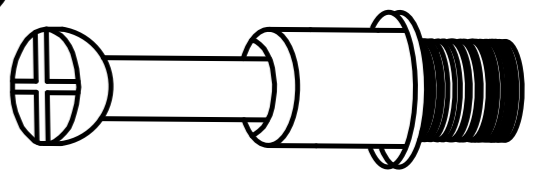



x6

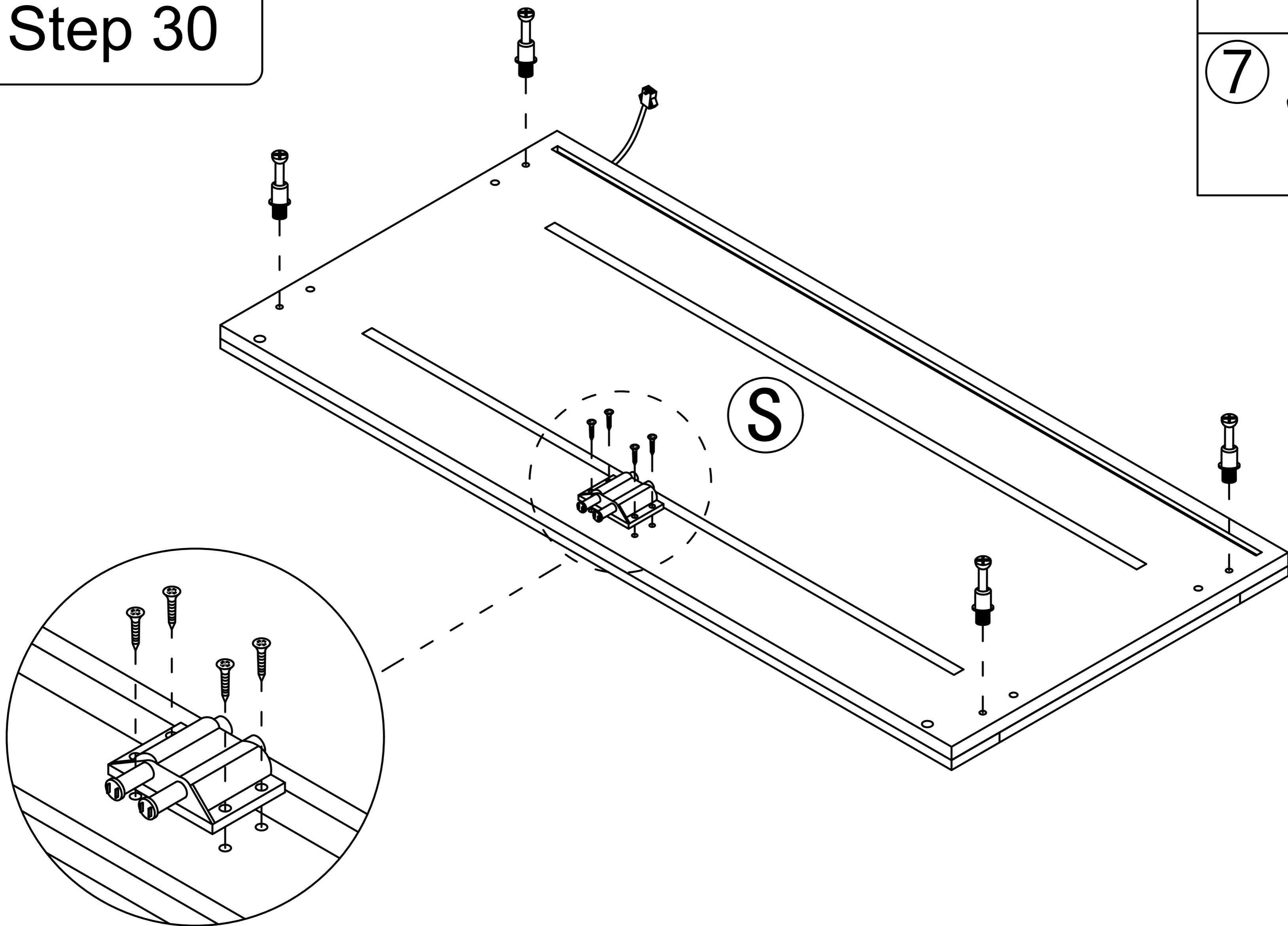


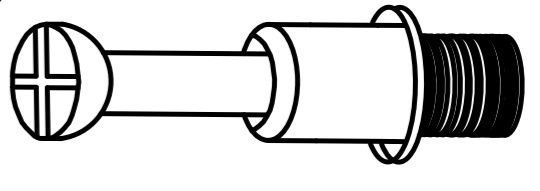
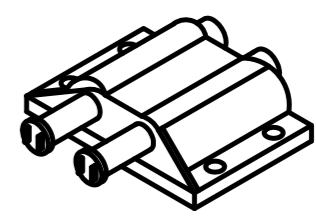
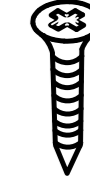
Step 29



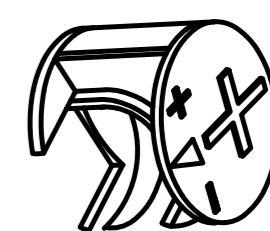
- ①  x4
- ③  x4

Step 30



- ①  x4
- ⑦  x1
-  x4

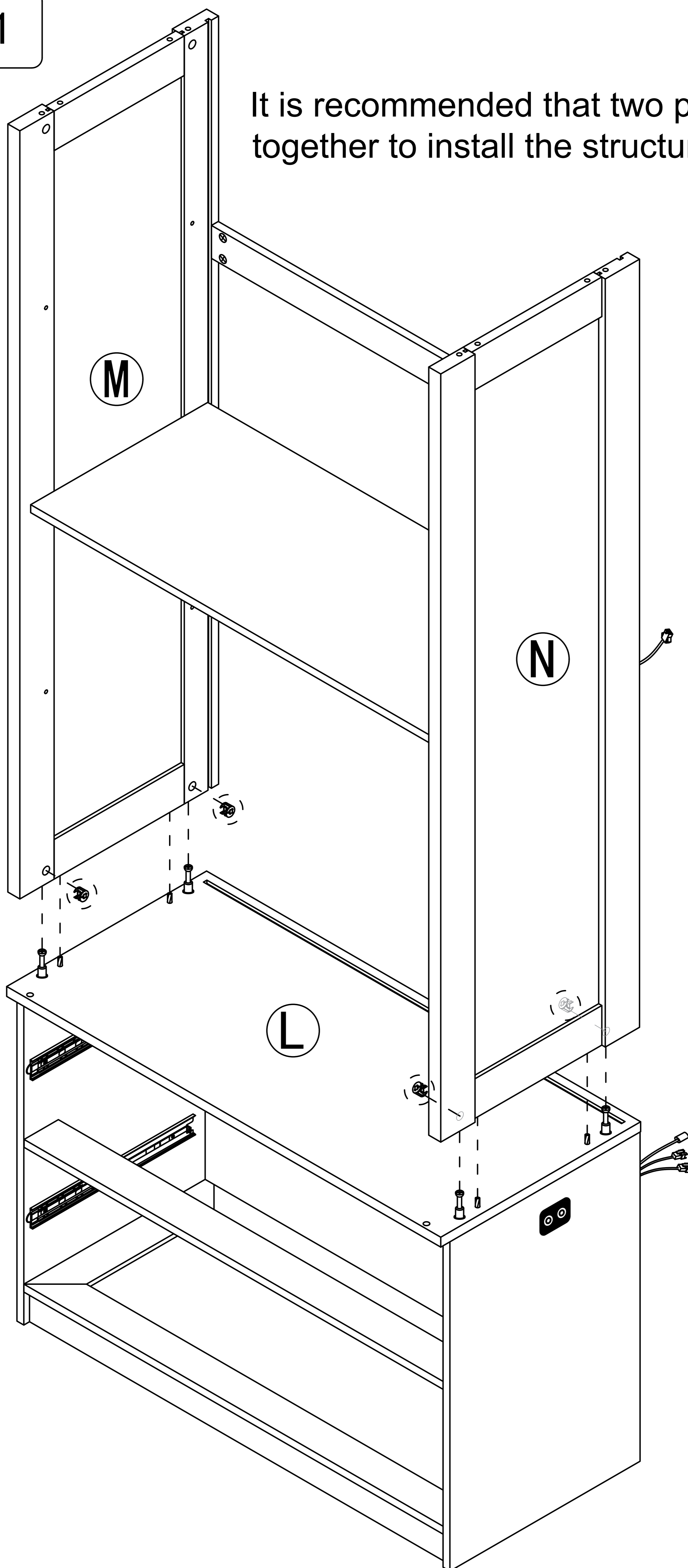
2



x4

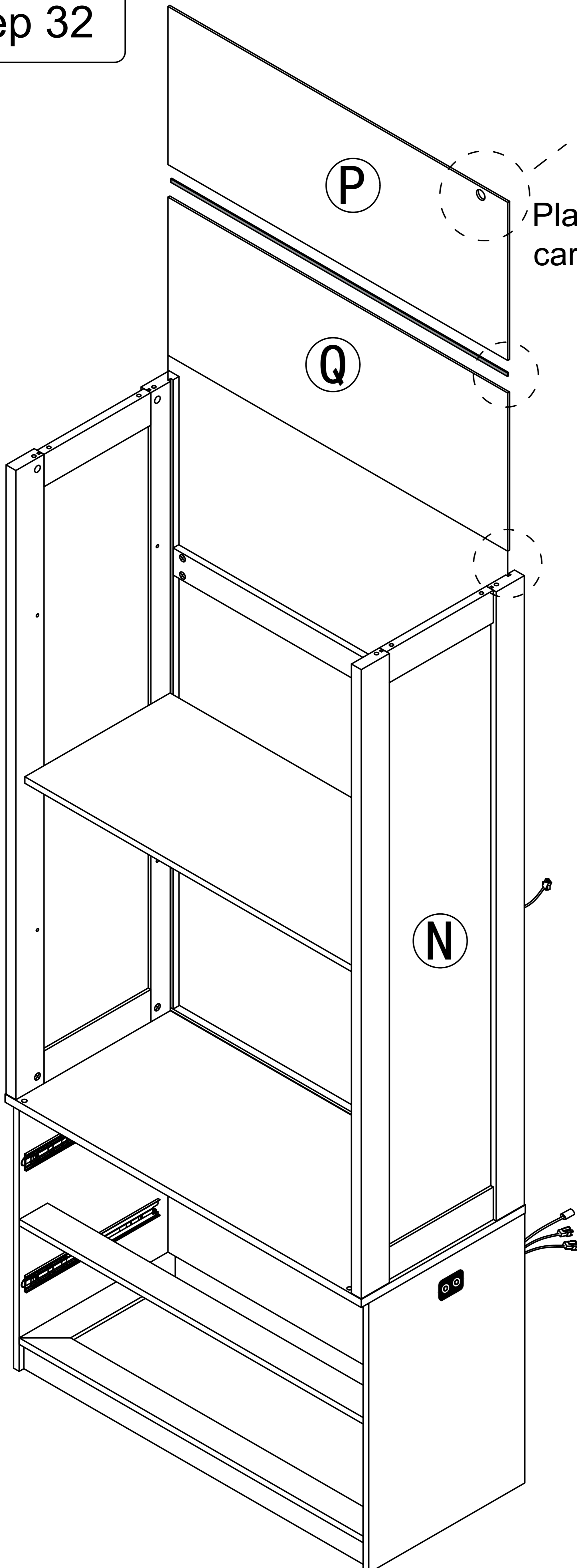
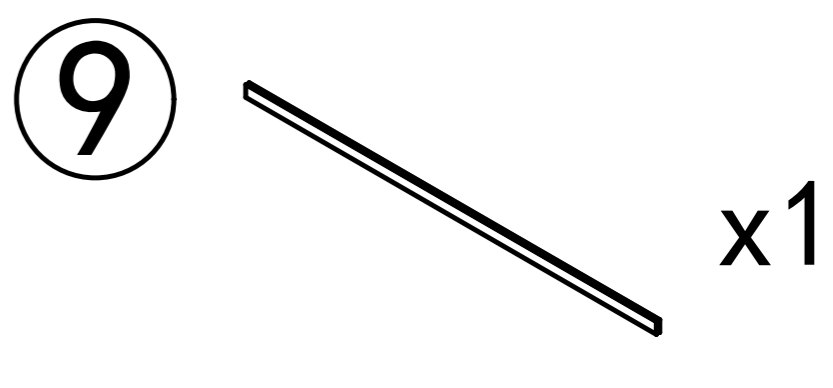
Step 31

It is recommended that two people work together to install the structural wood panels.

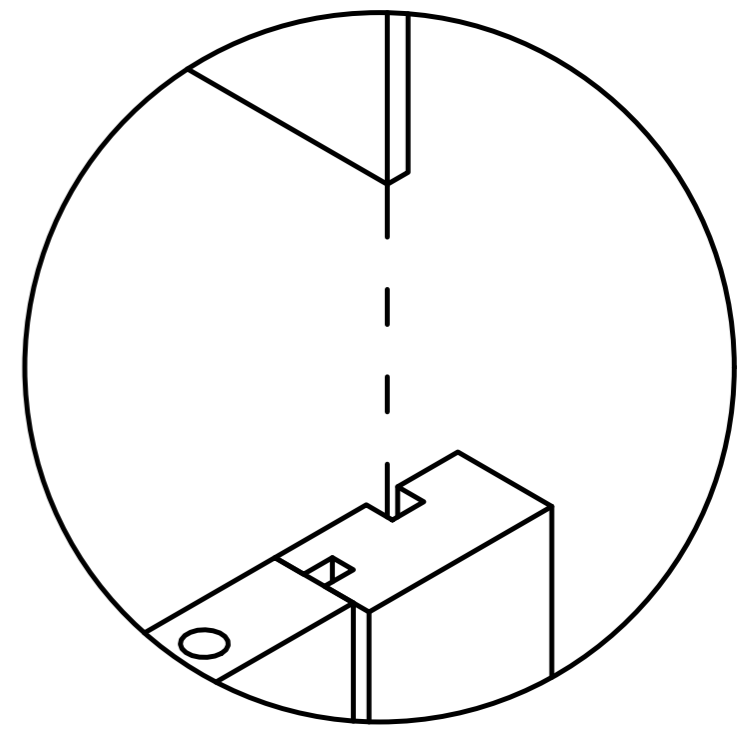
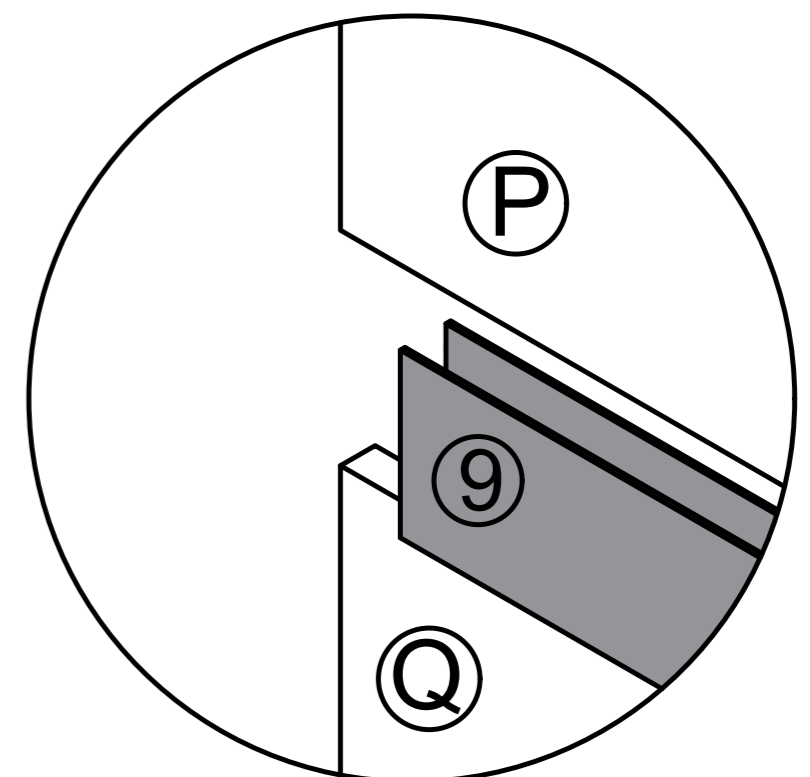
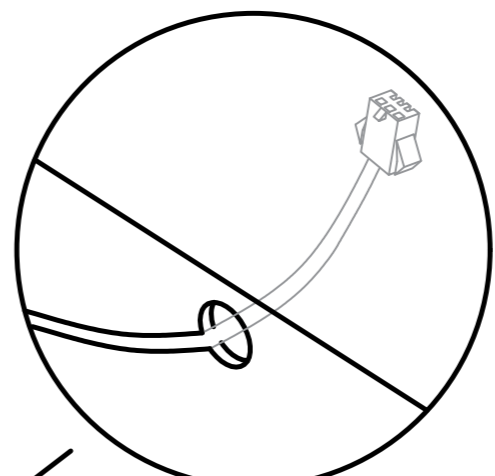


Step 32


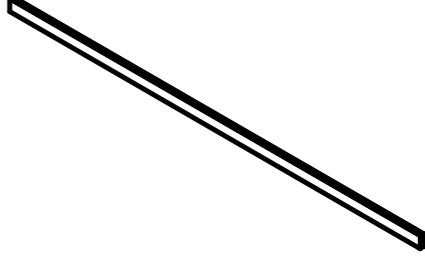
light wire exit hole

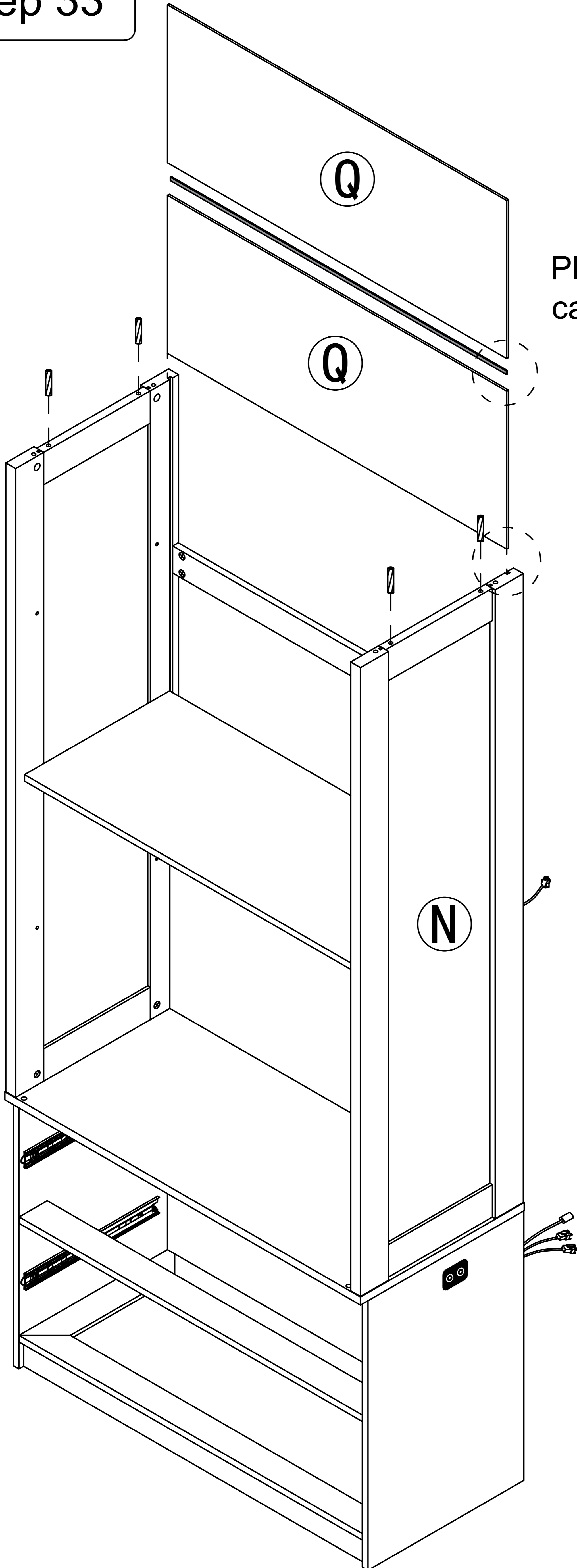


Place the "Q" board, Backboard card strip, and "P" board in order

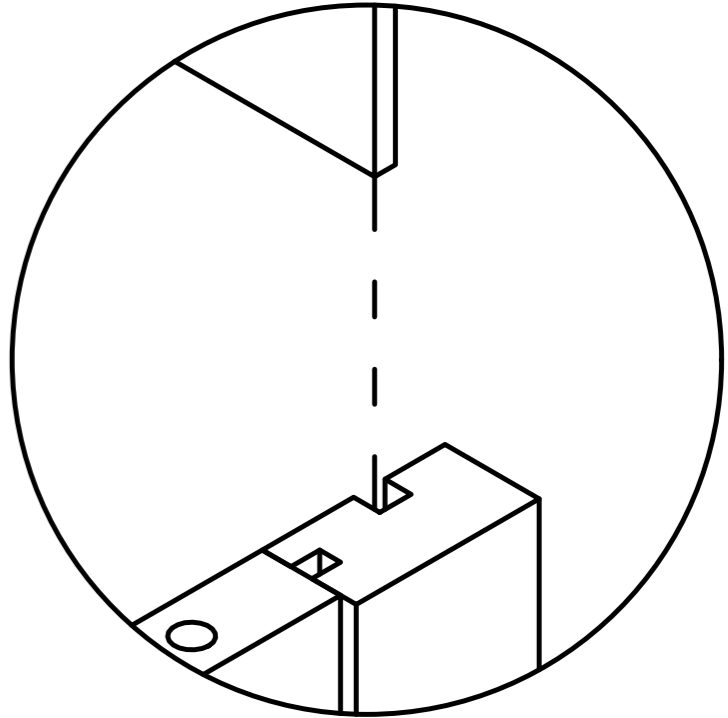
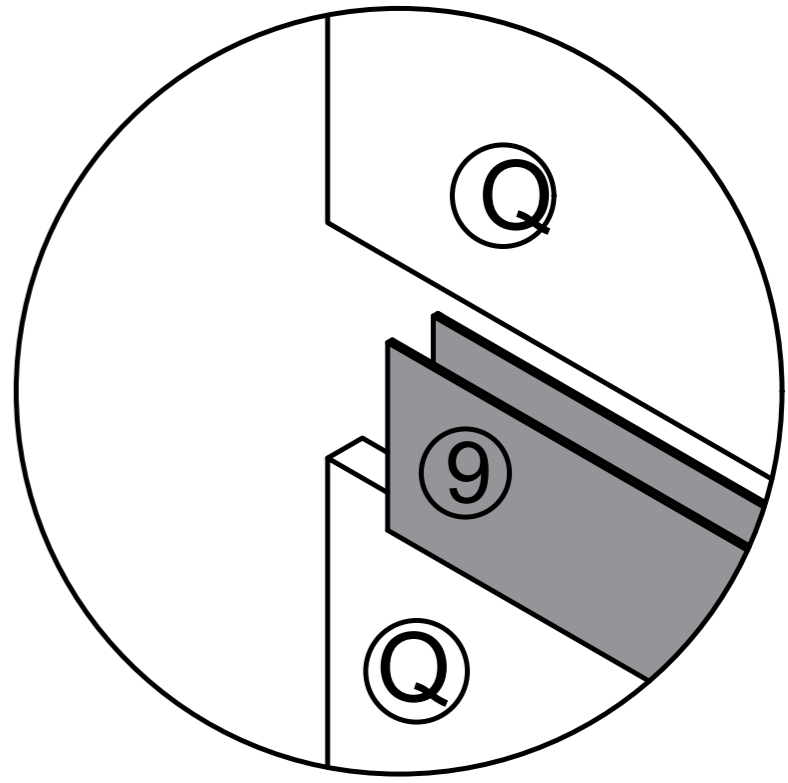


Step 33

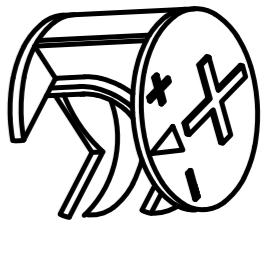
- ③  x4
- ⑨  x1

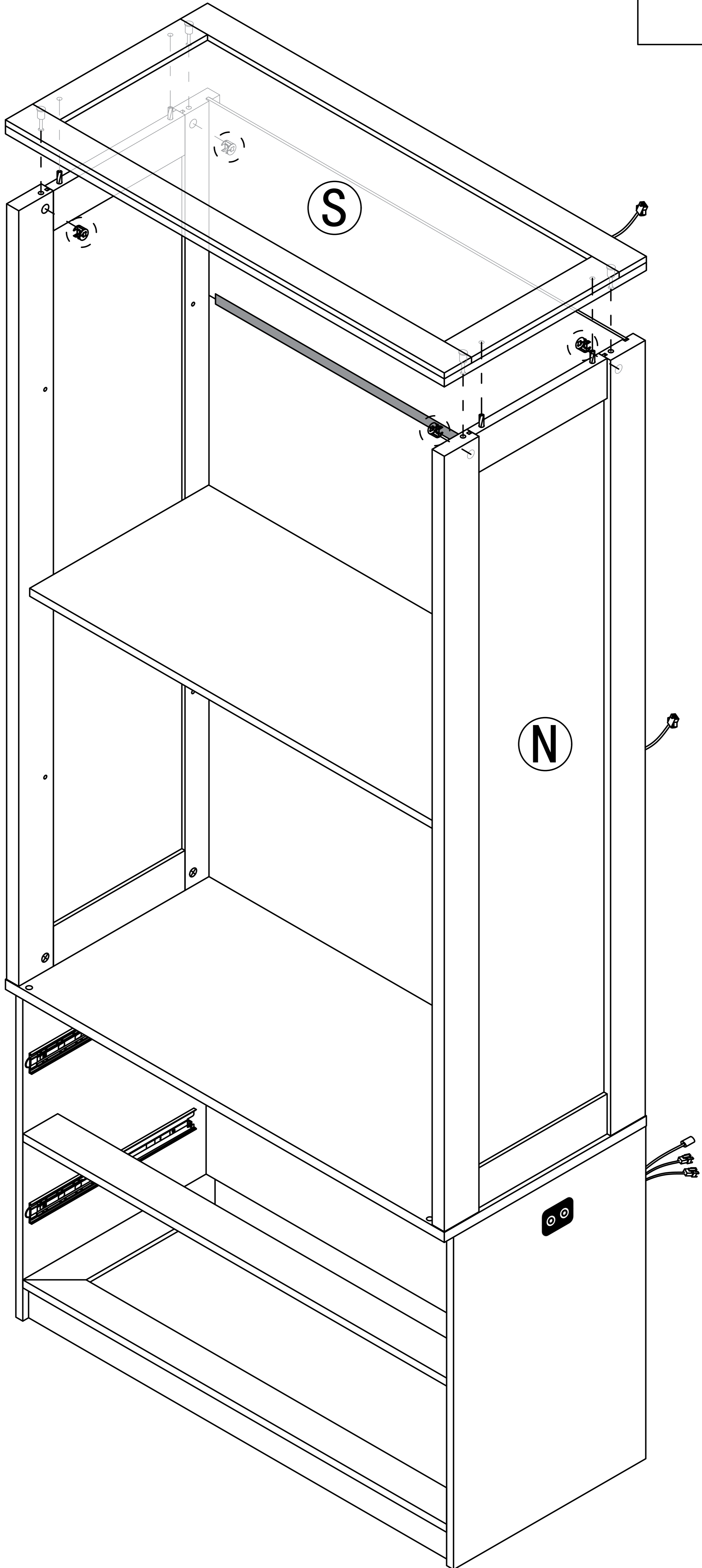


Place the "Q" board, Backboard card strip, and "Q" board in order

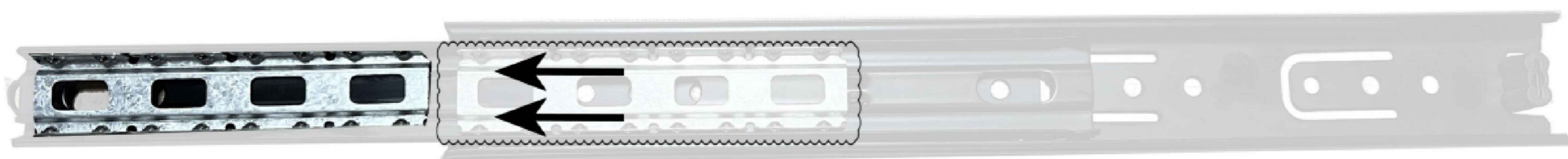
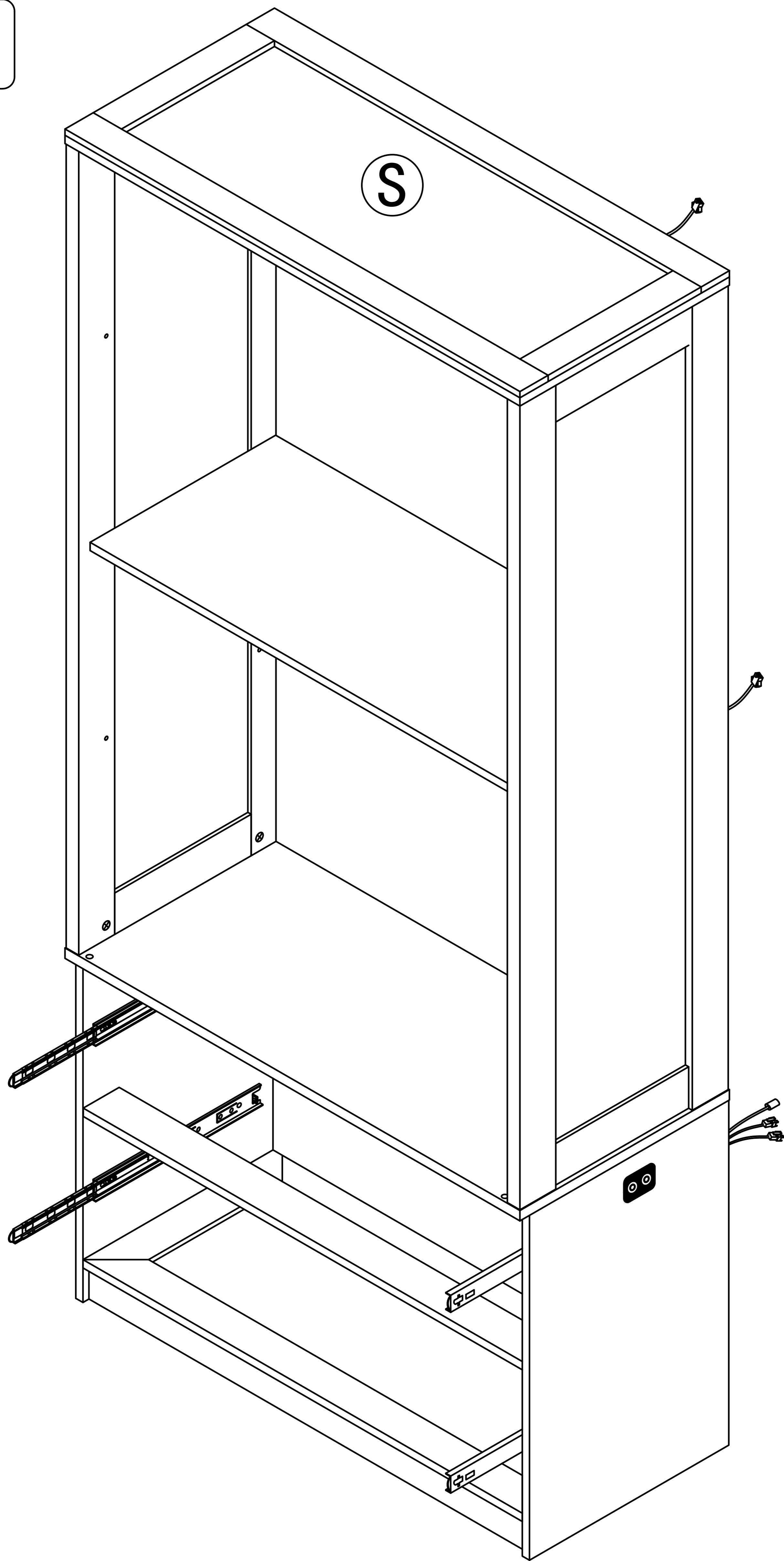


Step 34

2  x4

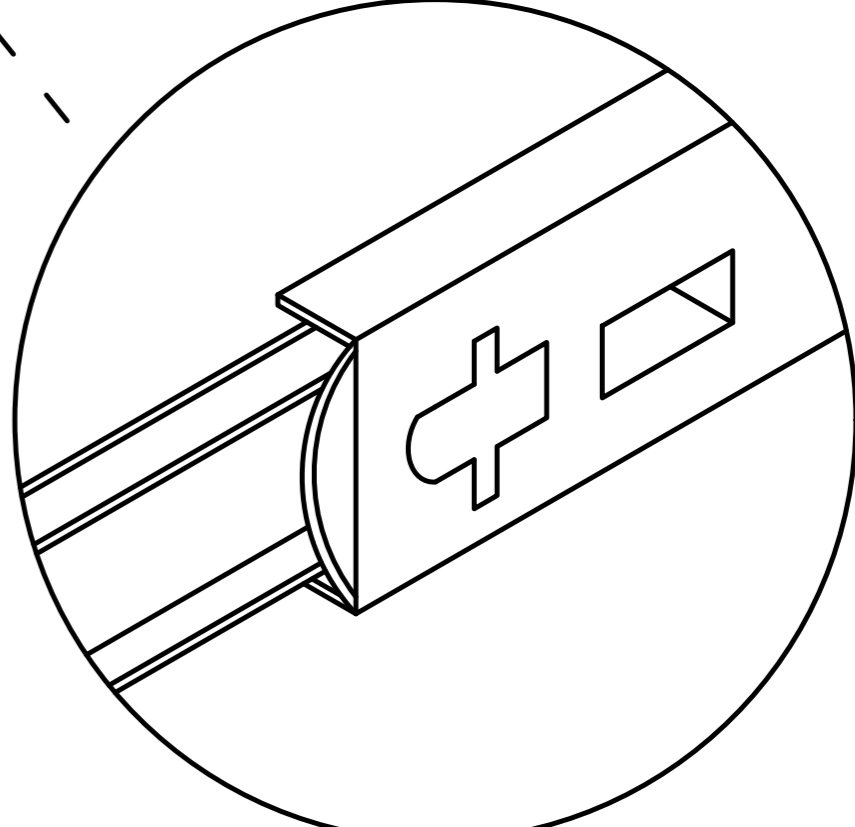
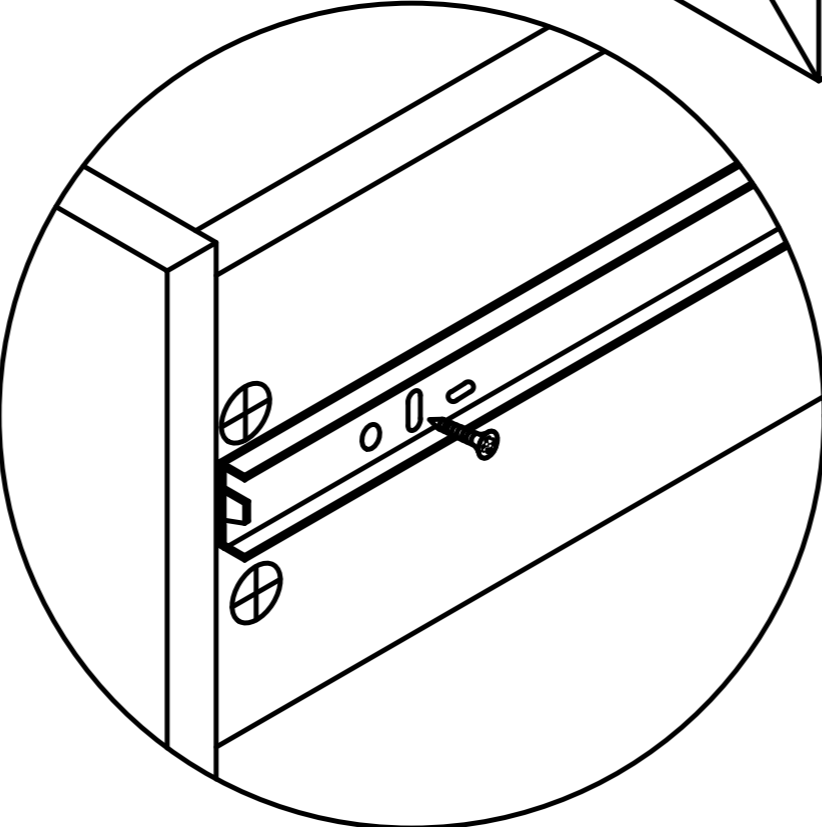
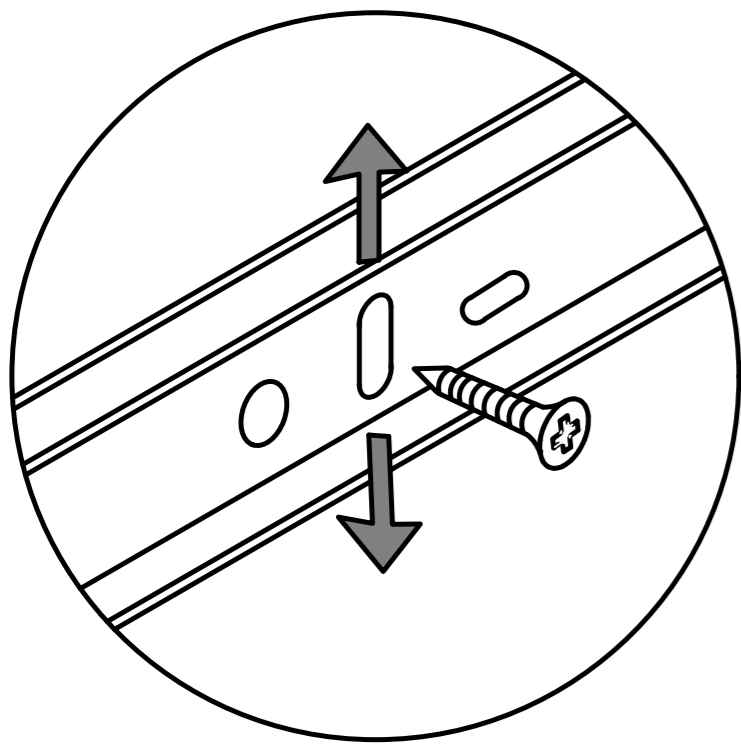
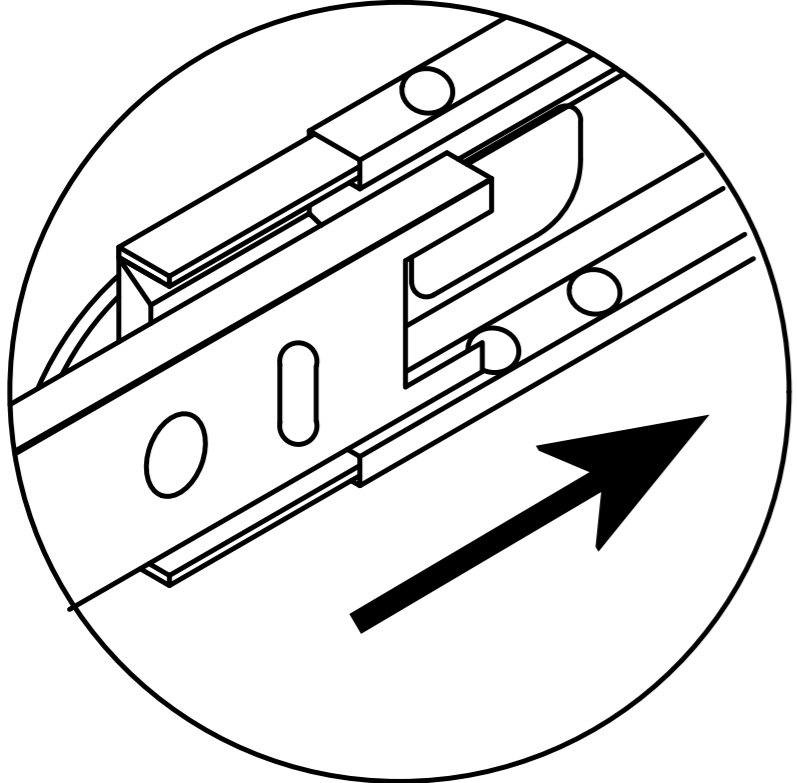
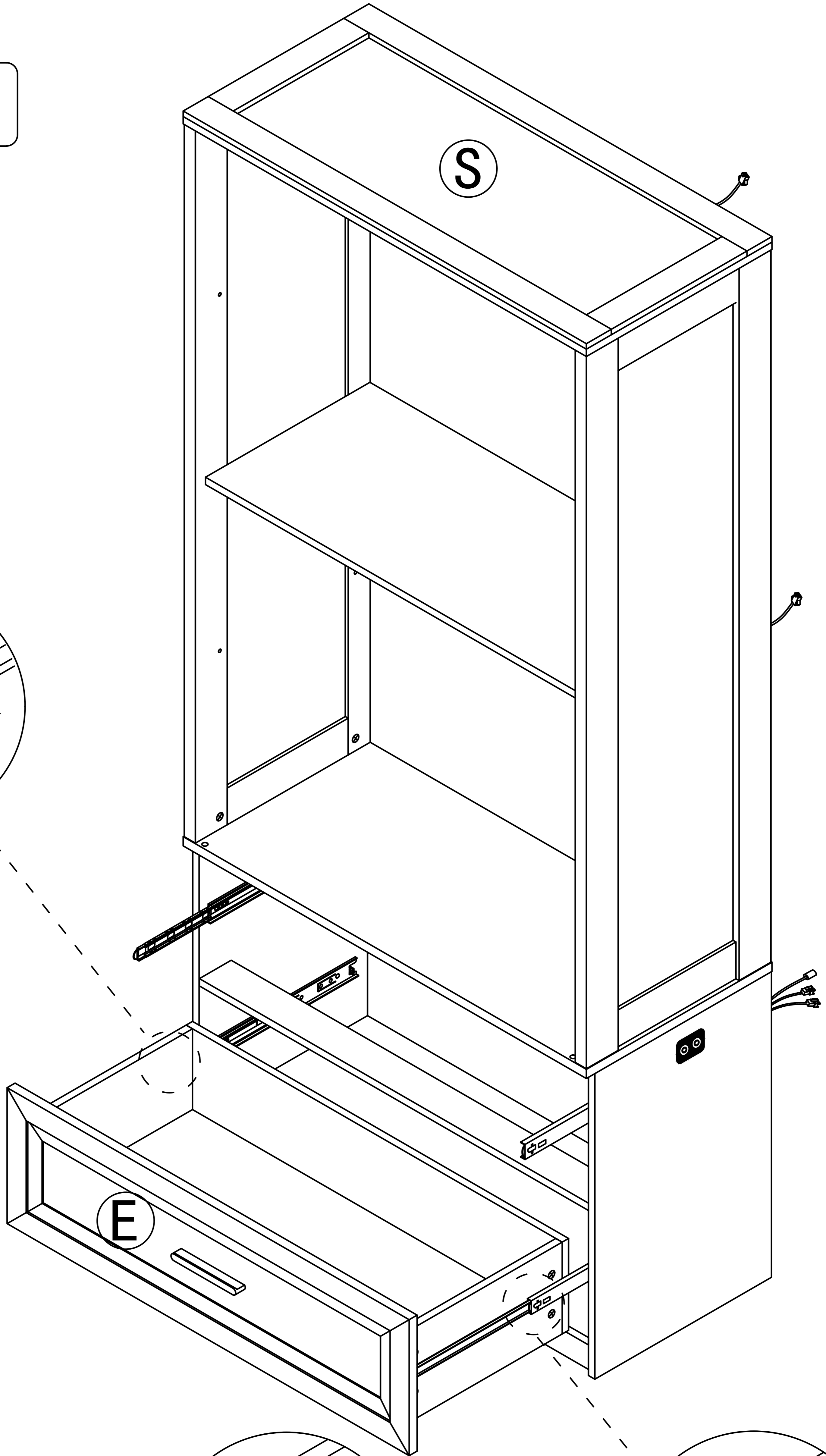


Step 35



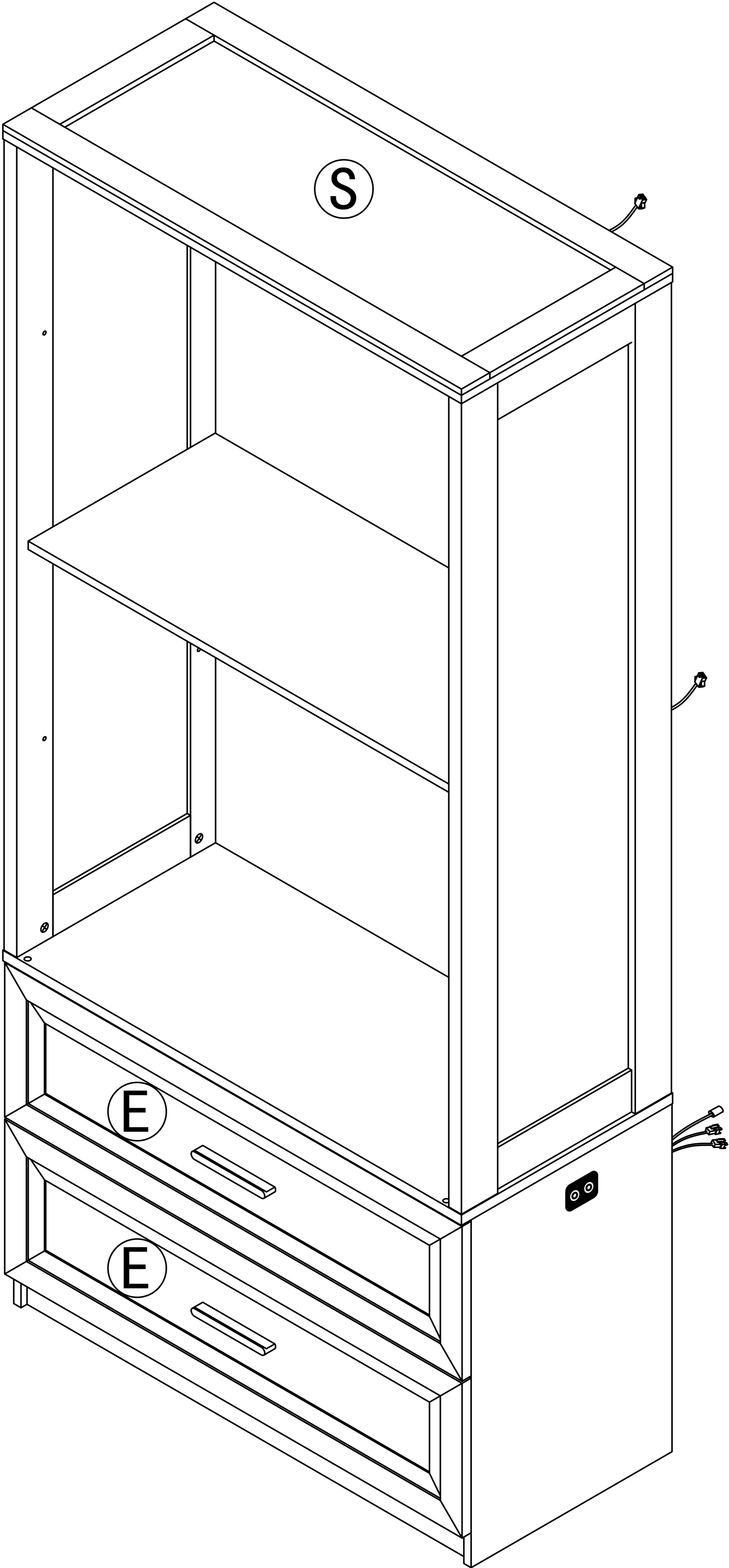
As shown, When installing the drawer, pull the guide rail out first, Slide beads are also pulled out.

Step 36



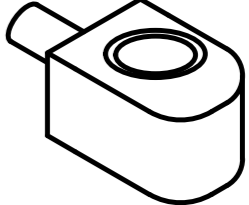
If a large gap is found after installing the drawer the slide rail can be moved up and down to adjust the gap

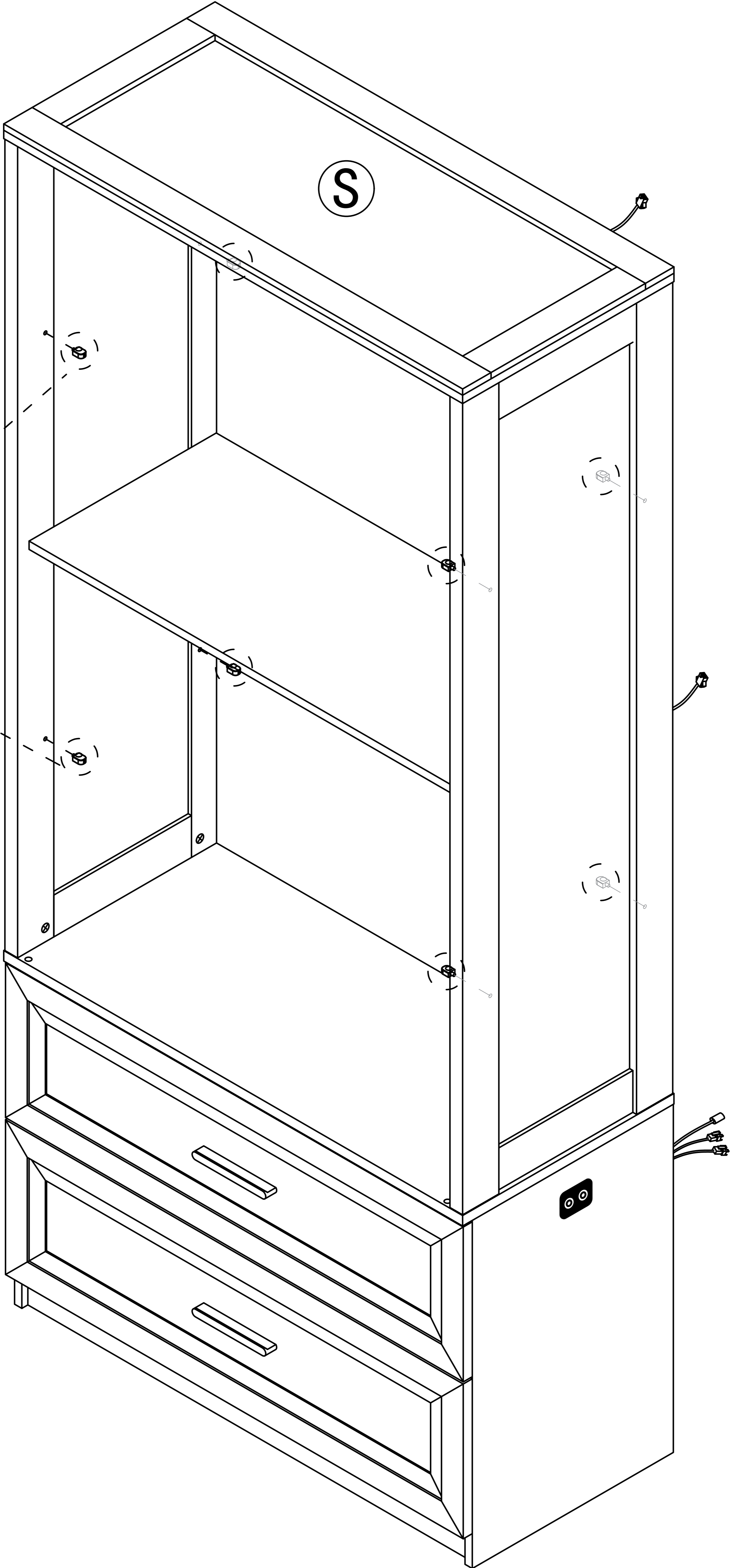
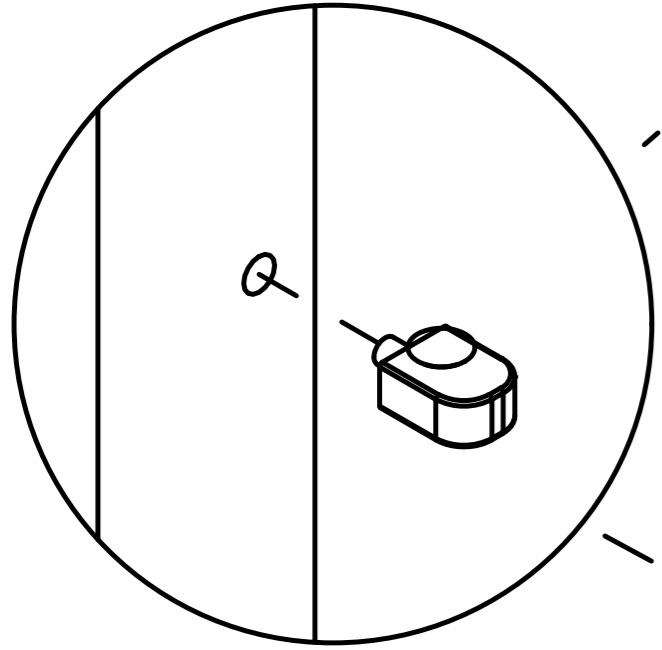
Step 37



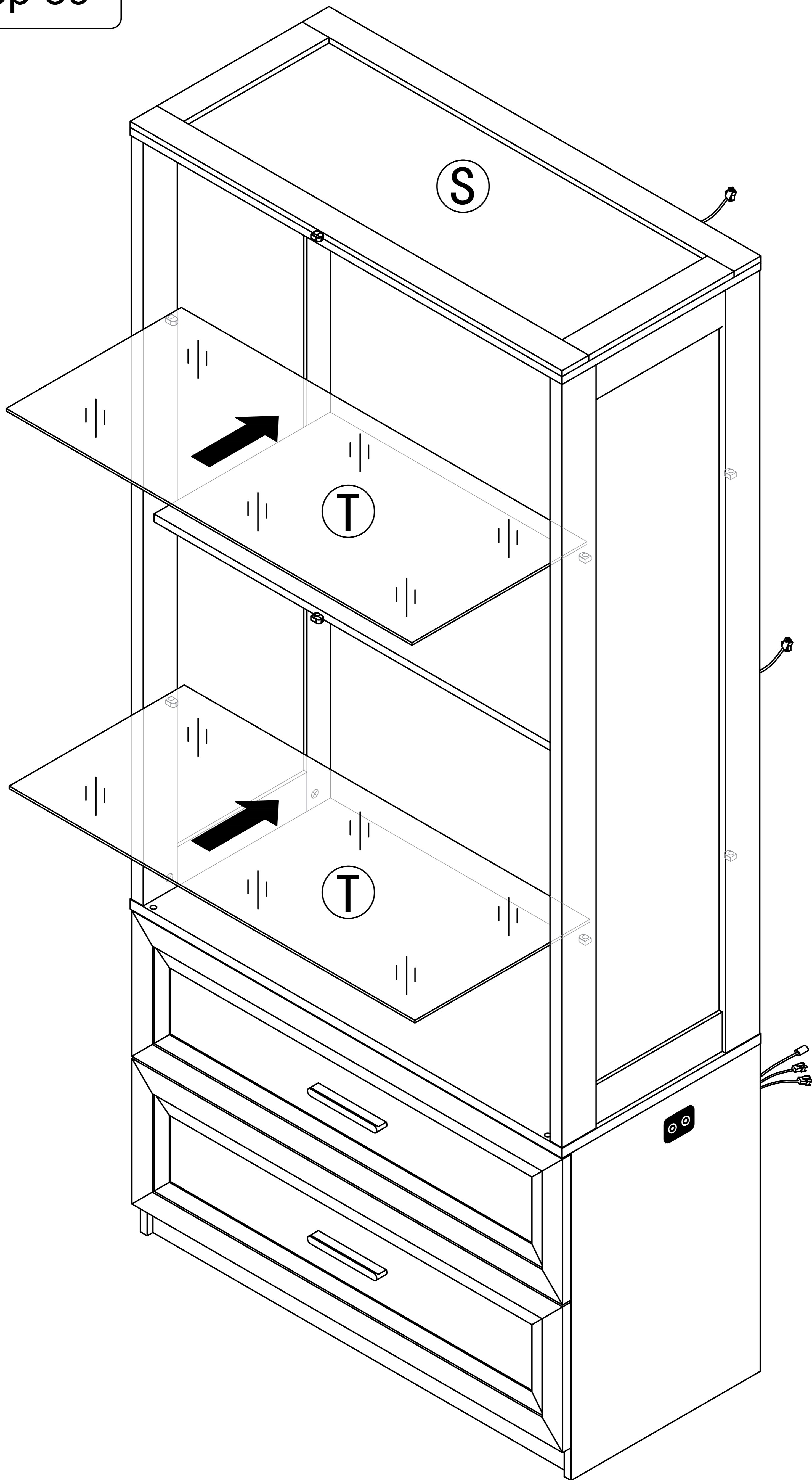
Repeat the drawer installation steps

Step 38

8  x8

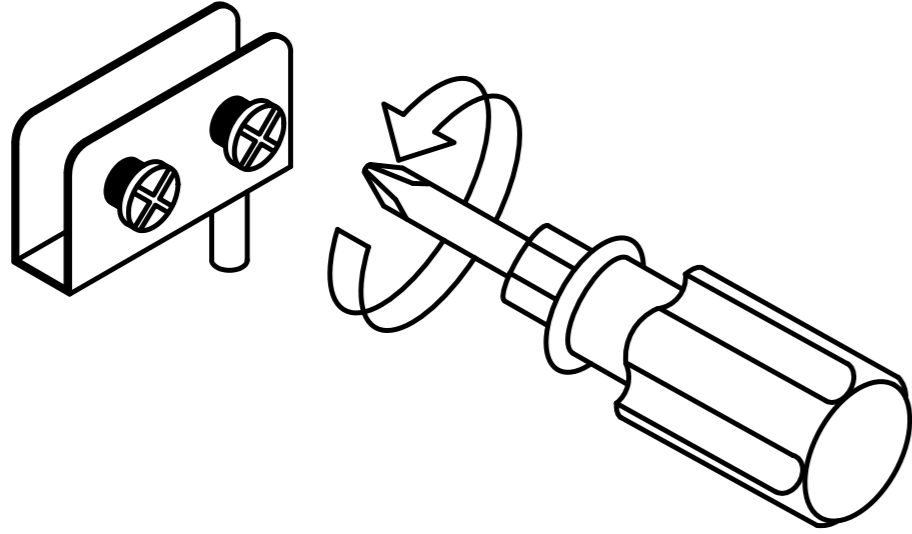


Step 39

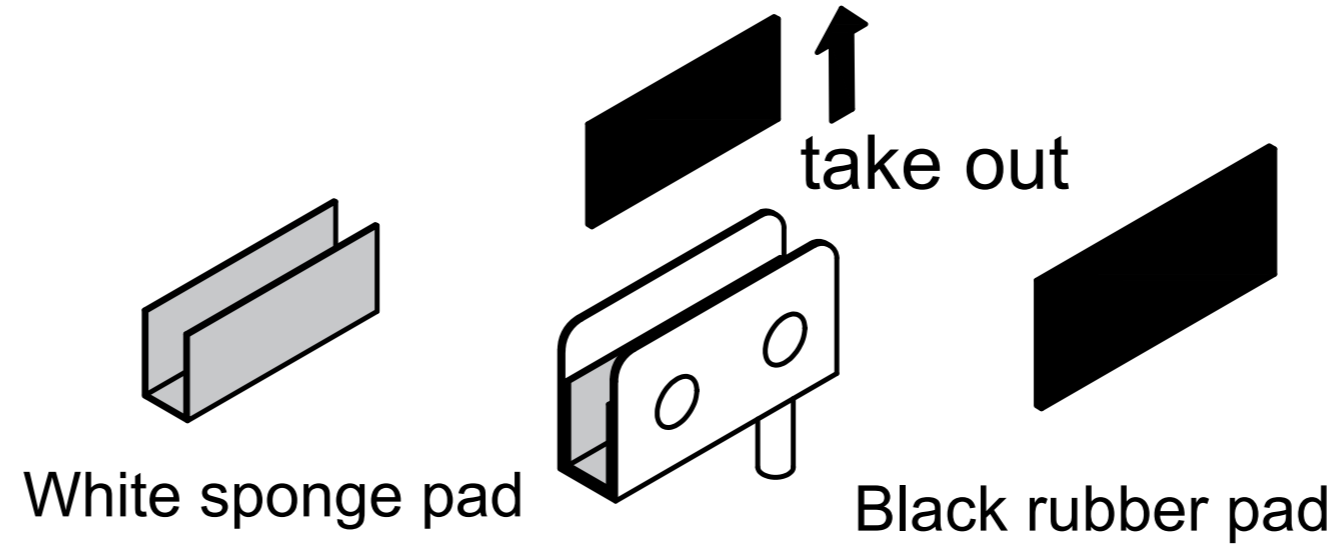


Step 40

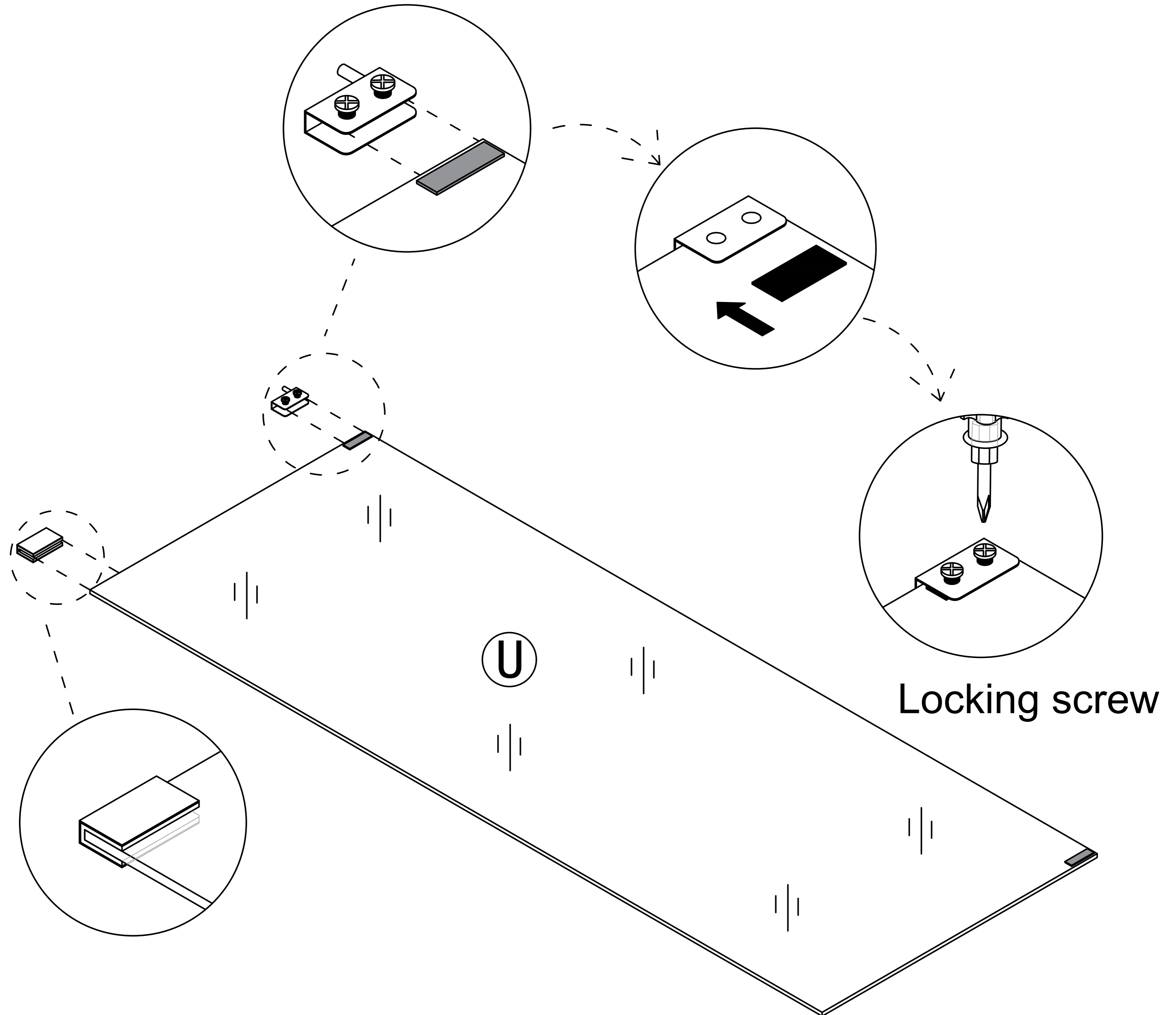
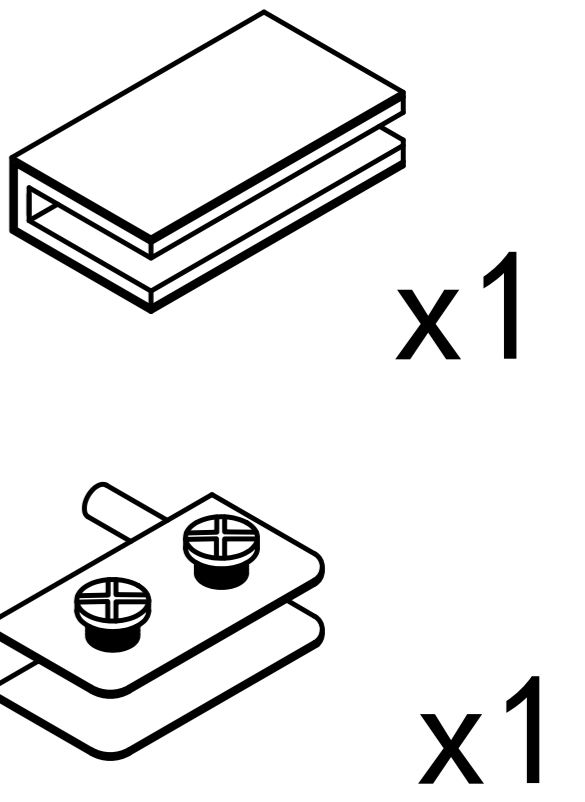
First, completely unscrew the screws on the parts



Then take out the black rubber pad from the inside of the part, and the white sponge remains unchanged inside the part.



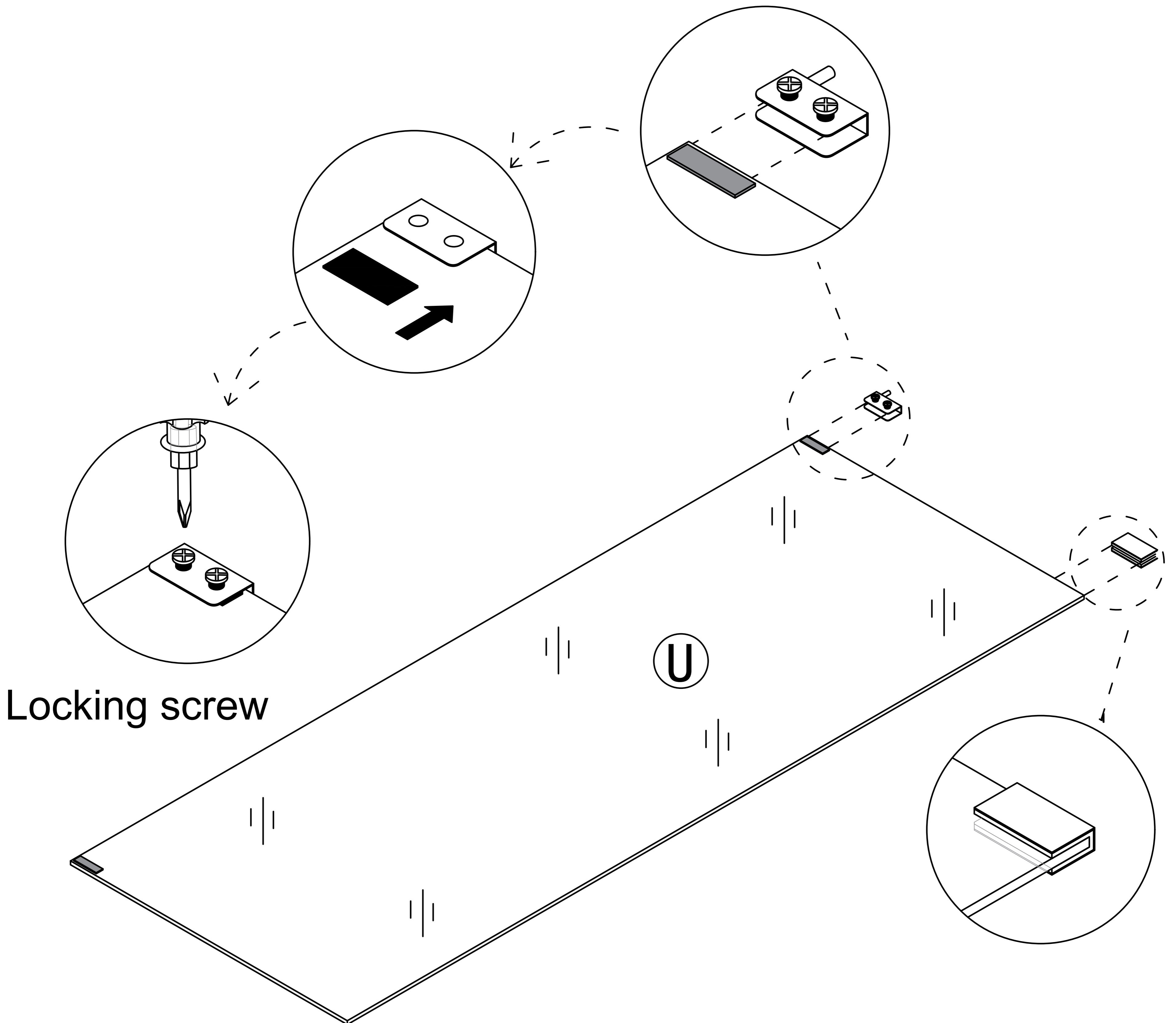
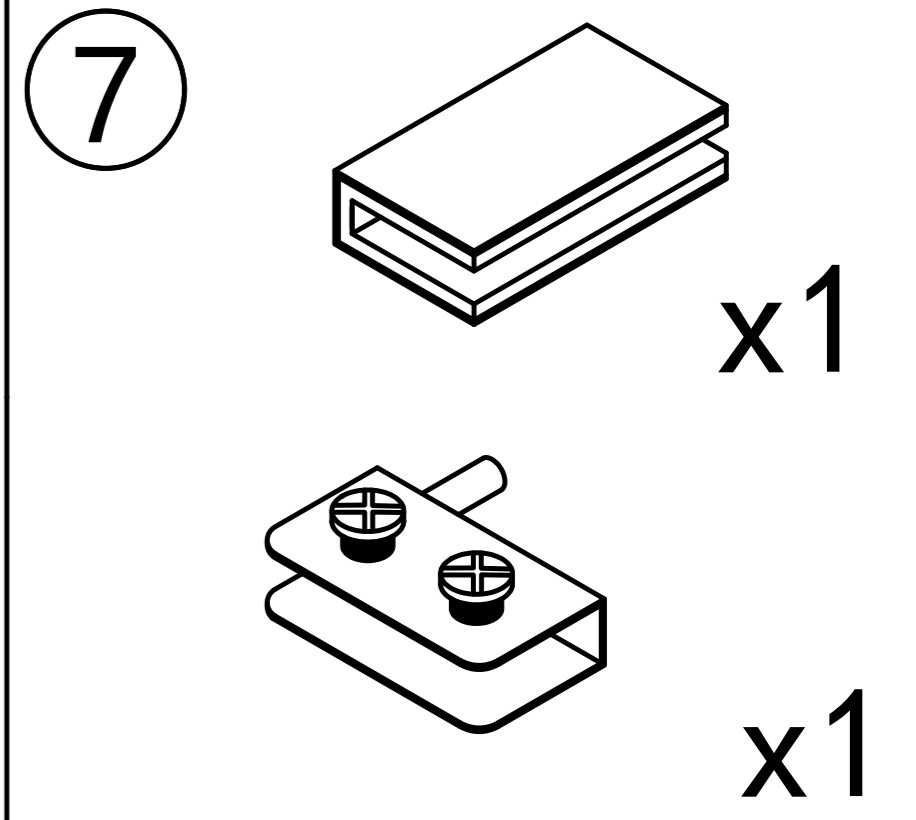
7



Pay attention to the direction of the door hinge, rotate the screws to compress the black gasket, and do not place it in the opposite direction

Place the black gasket on the side where the screws are installed

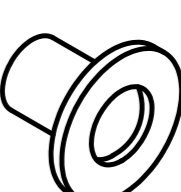
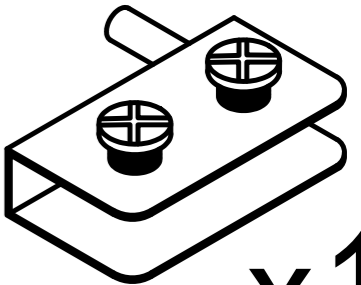
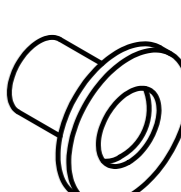
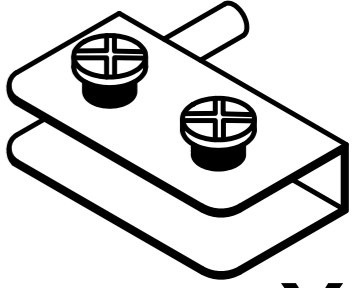
Step 41

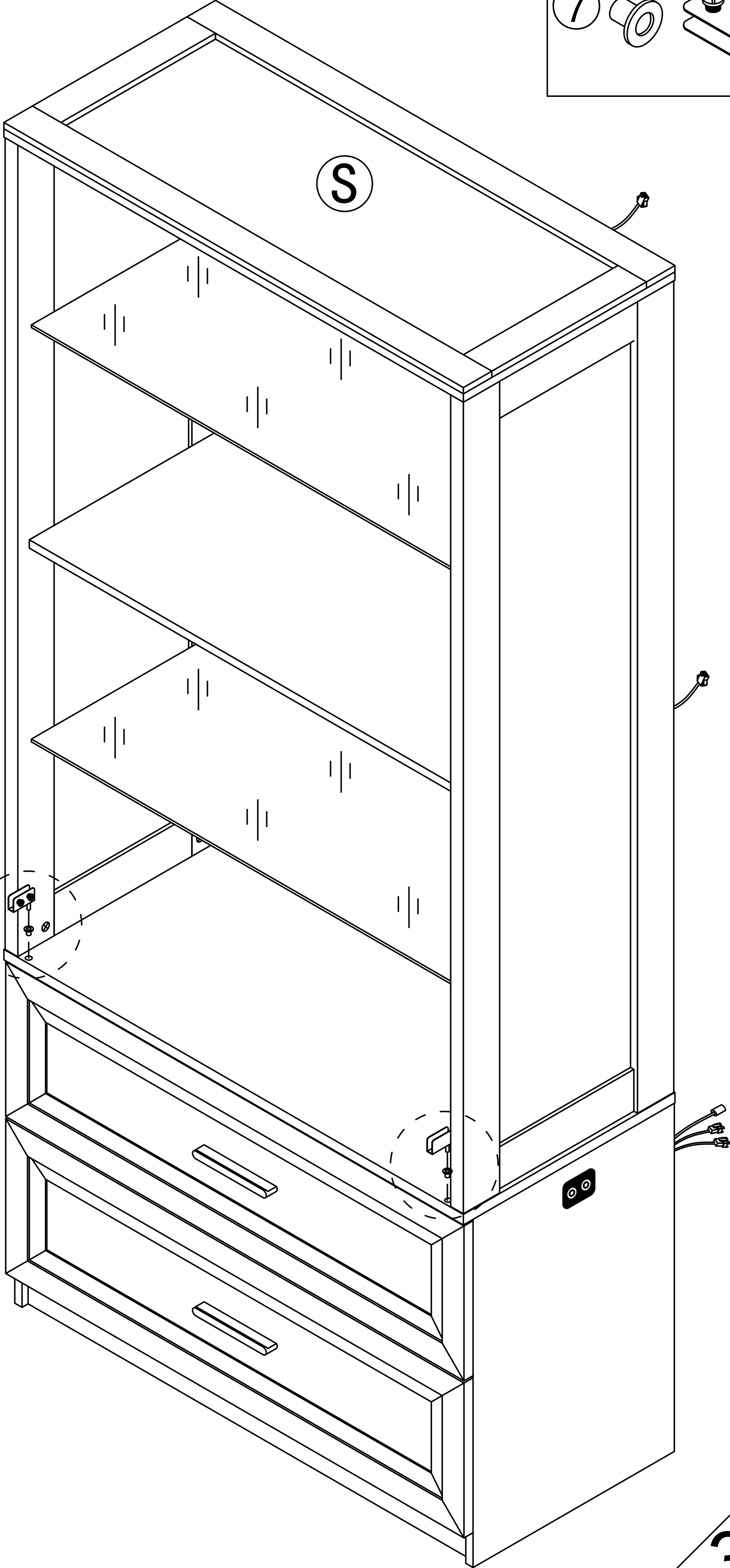
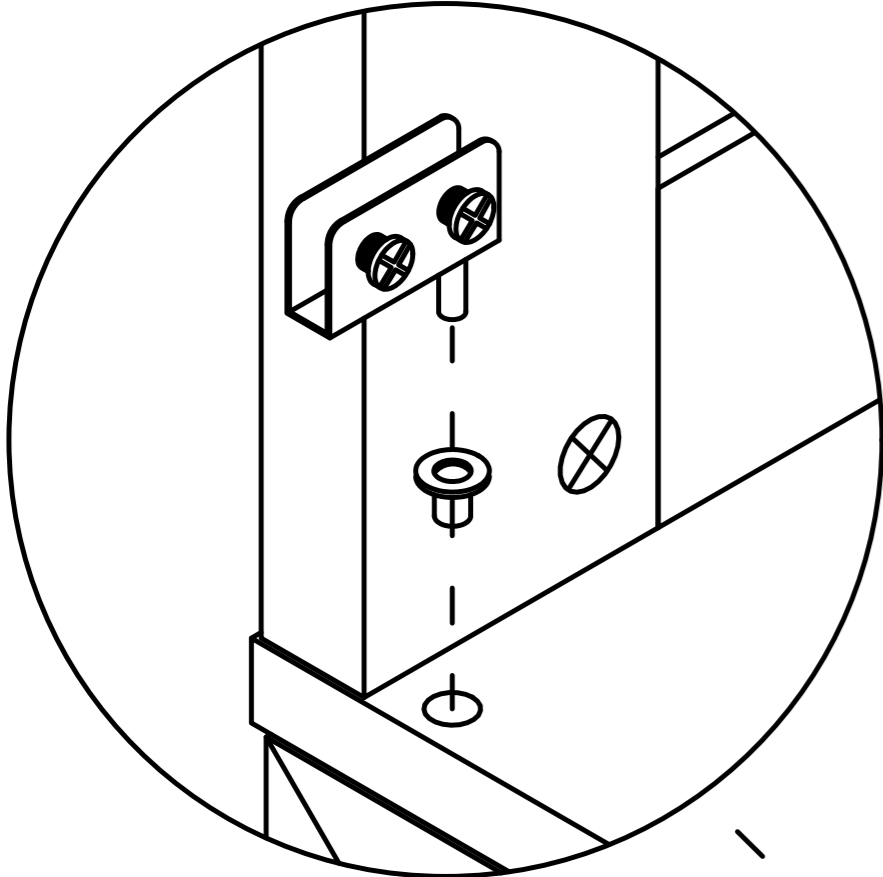


Pay attention to the direction of the door hinge, rotate the screws to compress the black gasket, and do not place it in the opposite direction

Place the black gasket on the side where the screws are installed

Step 42

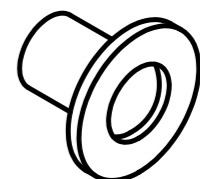
- 7   x1
- 7   x1



Step 43

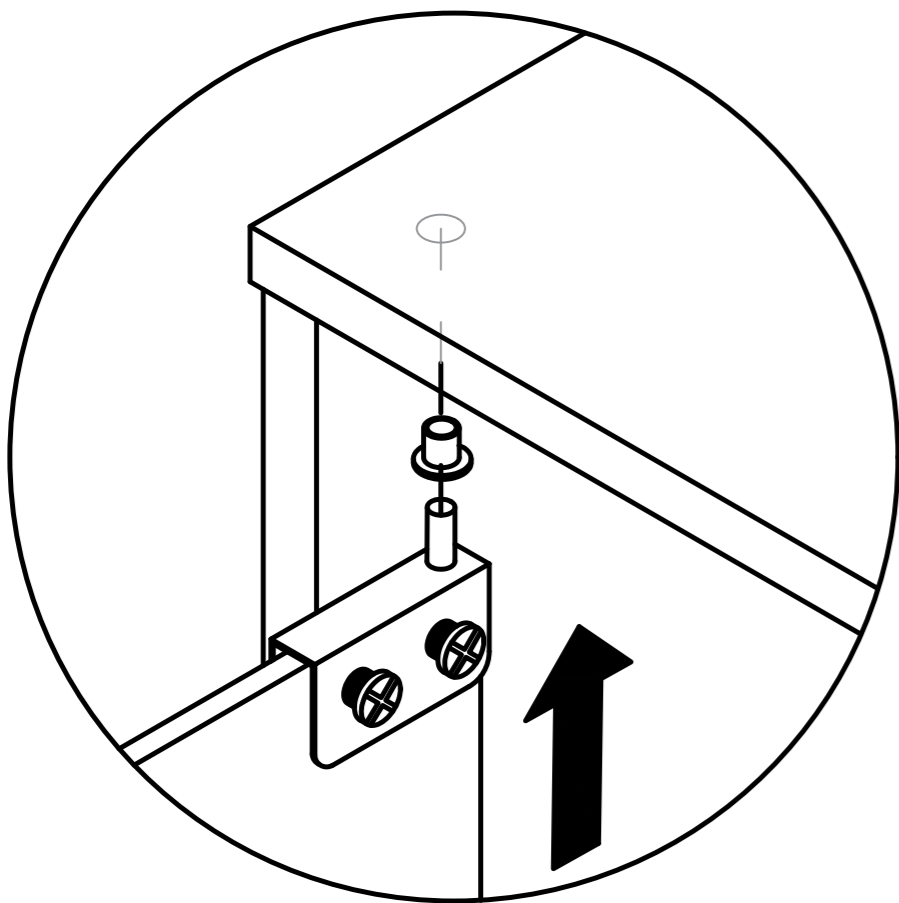
Pay attention to the direction of the door hinge during installation

7

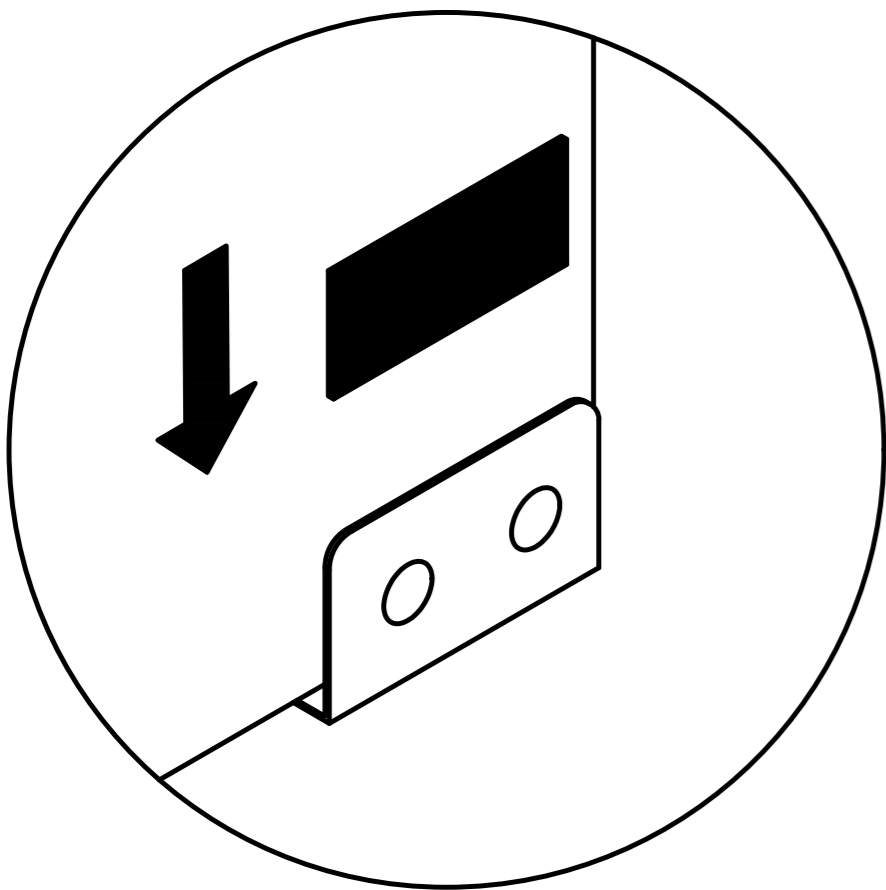


x2

When installing a glass door, it is recommended to have two people install it to avoid the glass door colliding or hitting oneself.

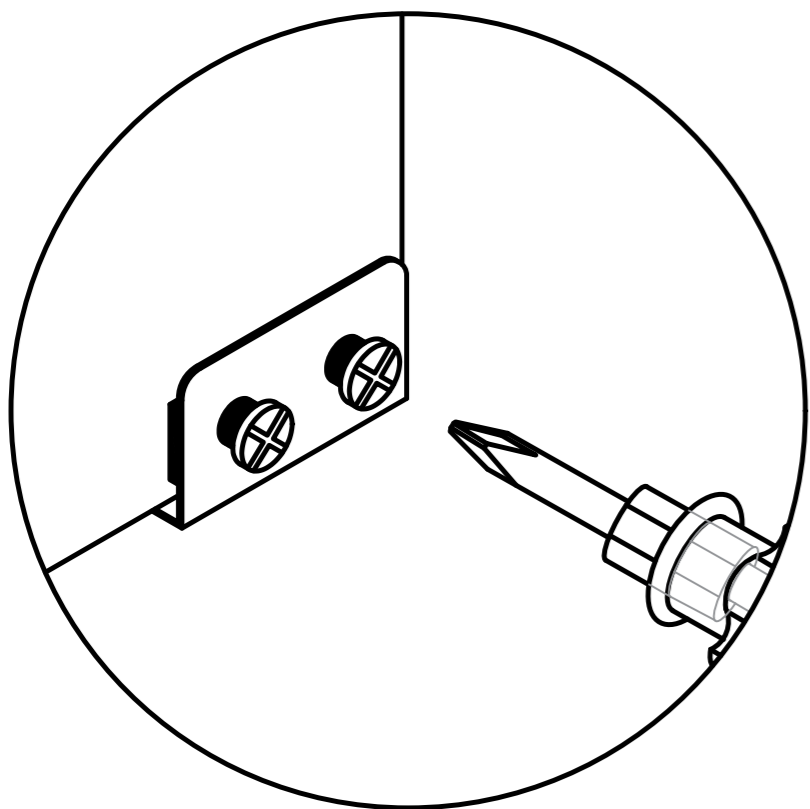


first



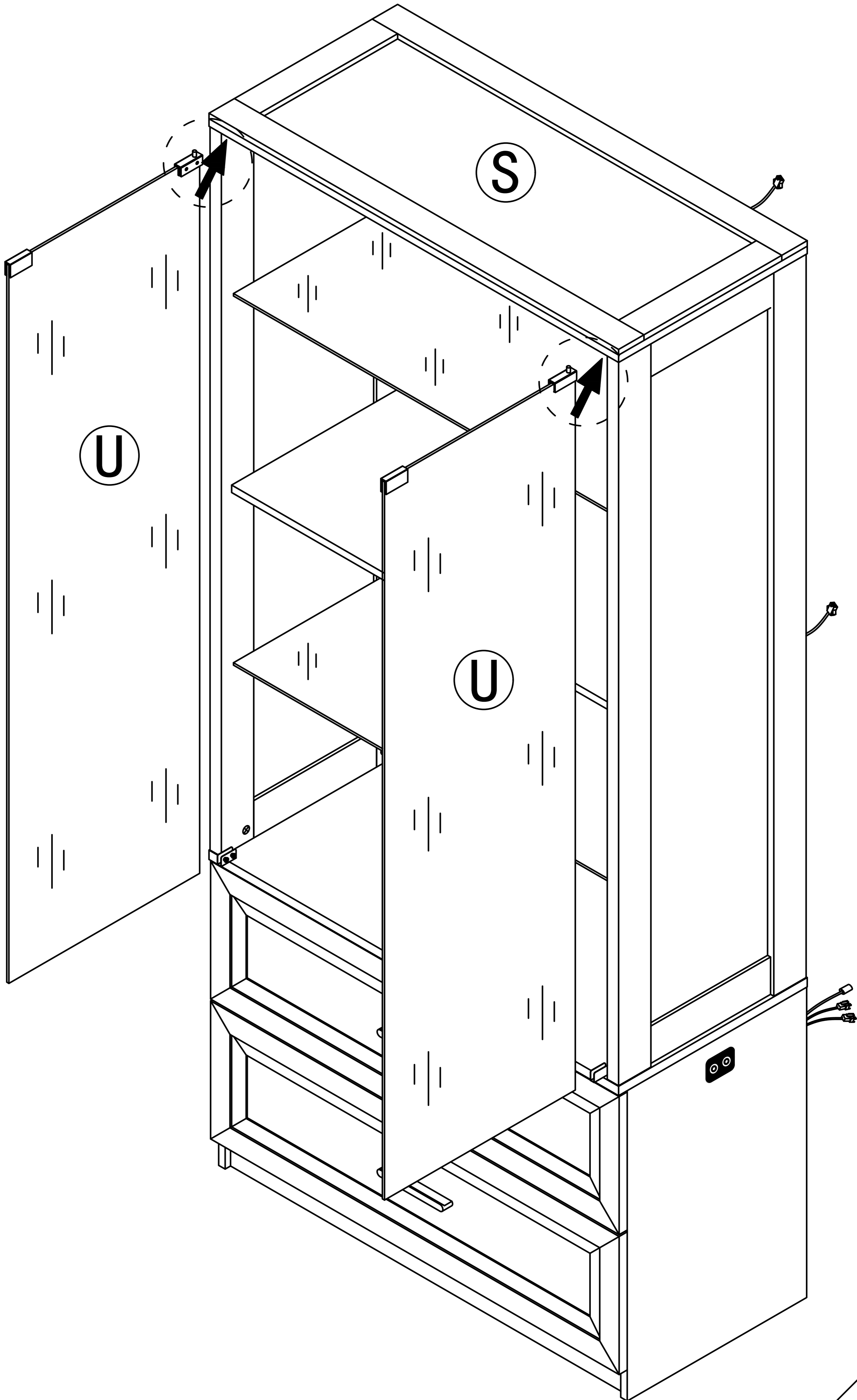
second

After installing the glass door, place the black gasket on the side where the screws are installed



third

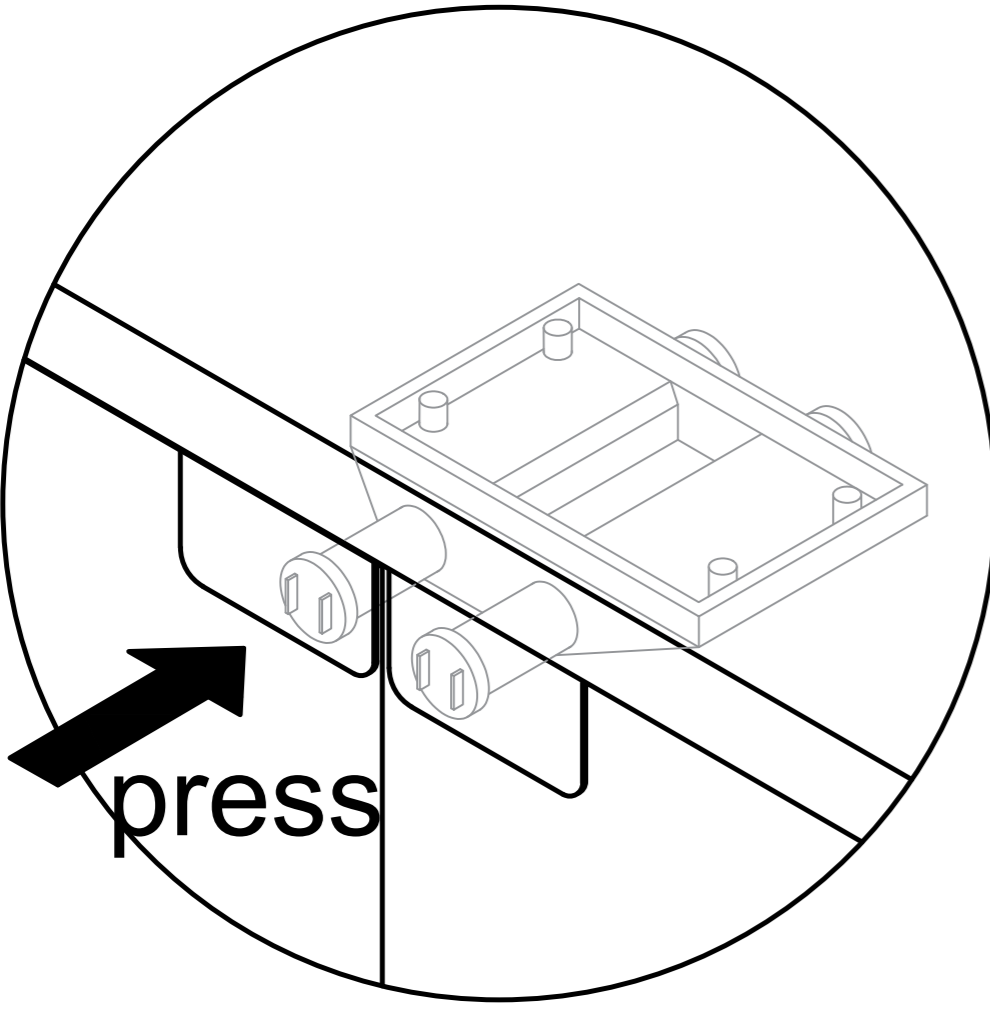
Locking screw



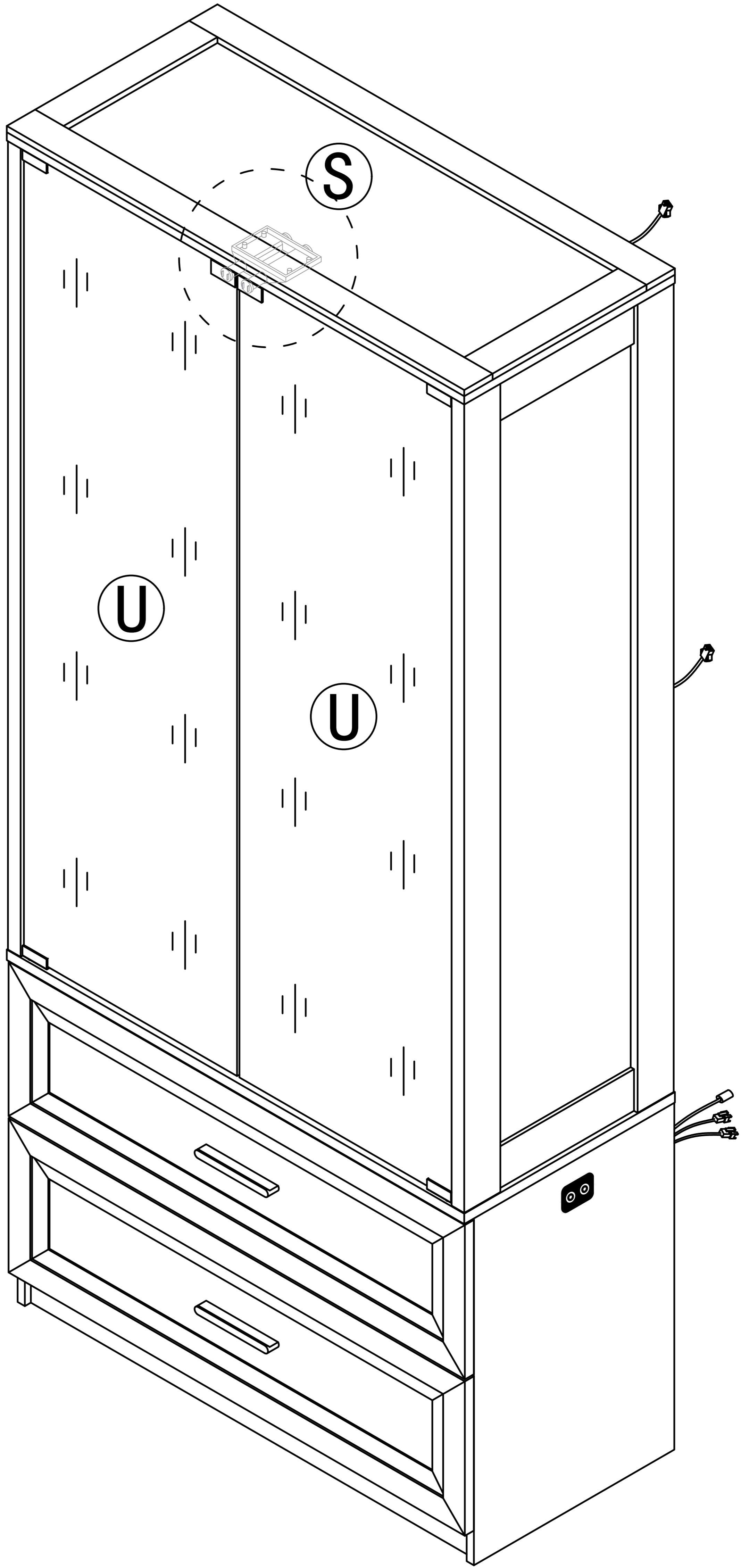
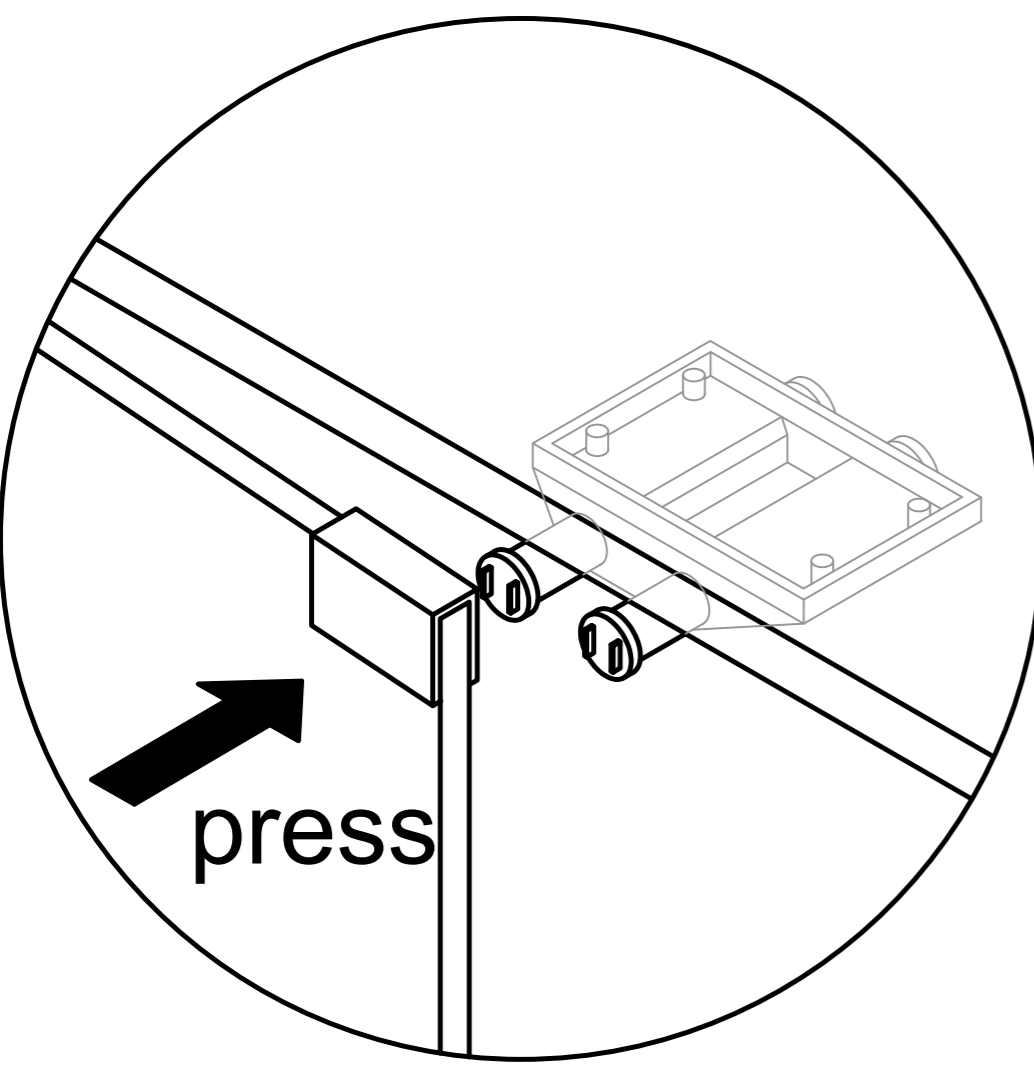
Step 44

The rebound device automatically opens and closes by pressing

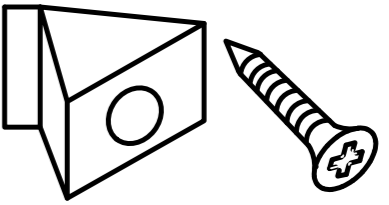
Open the glass door

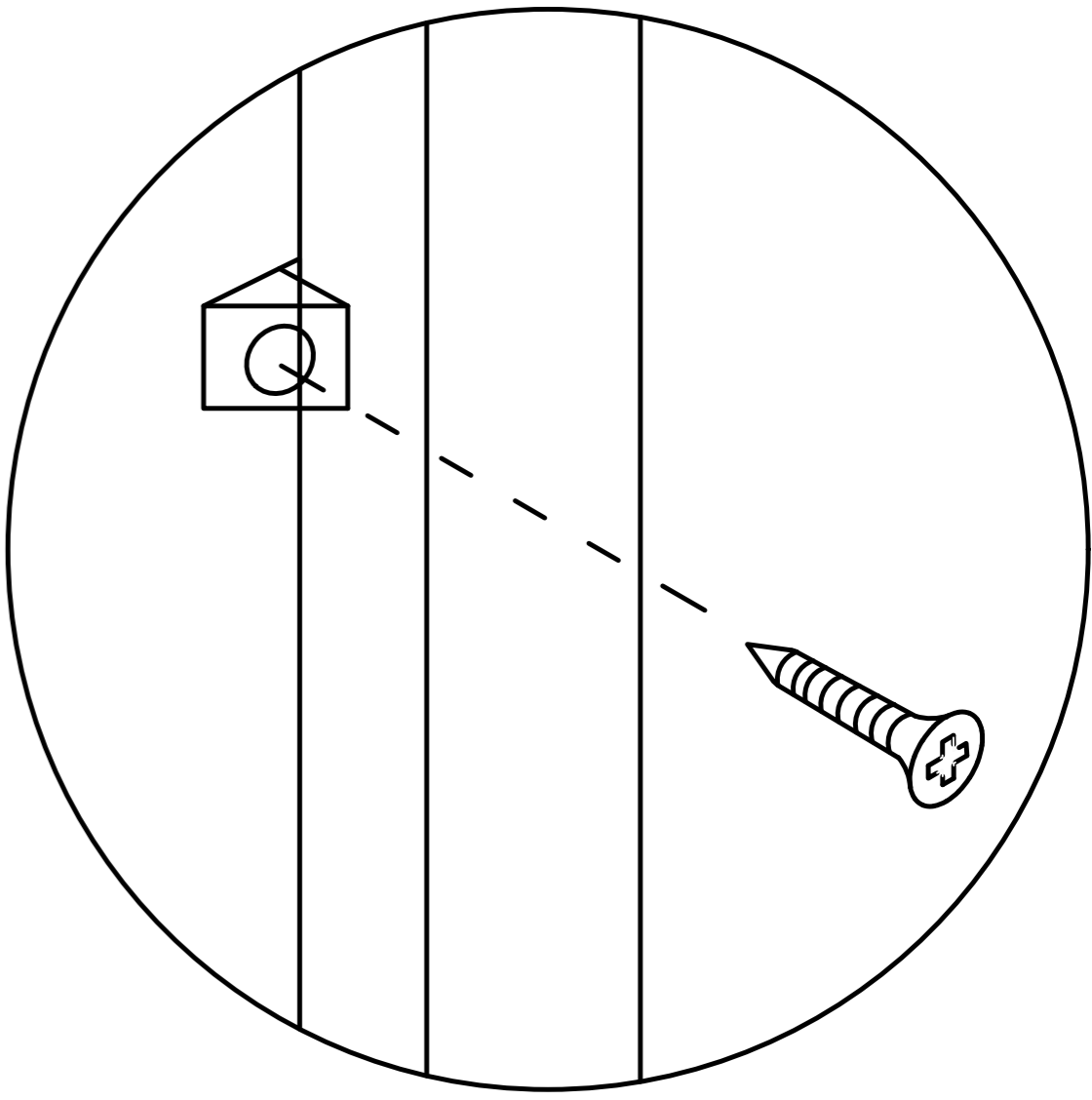
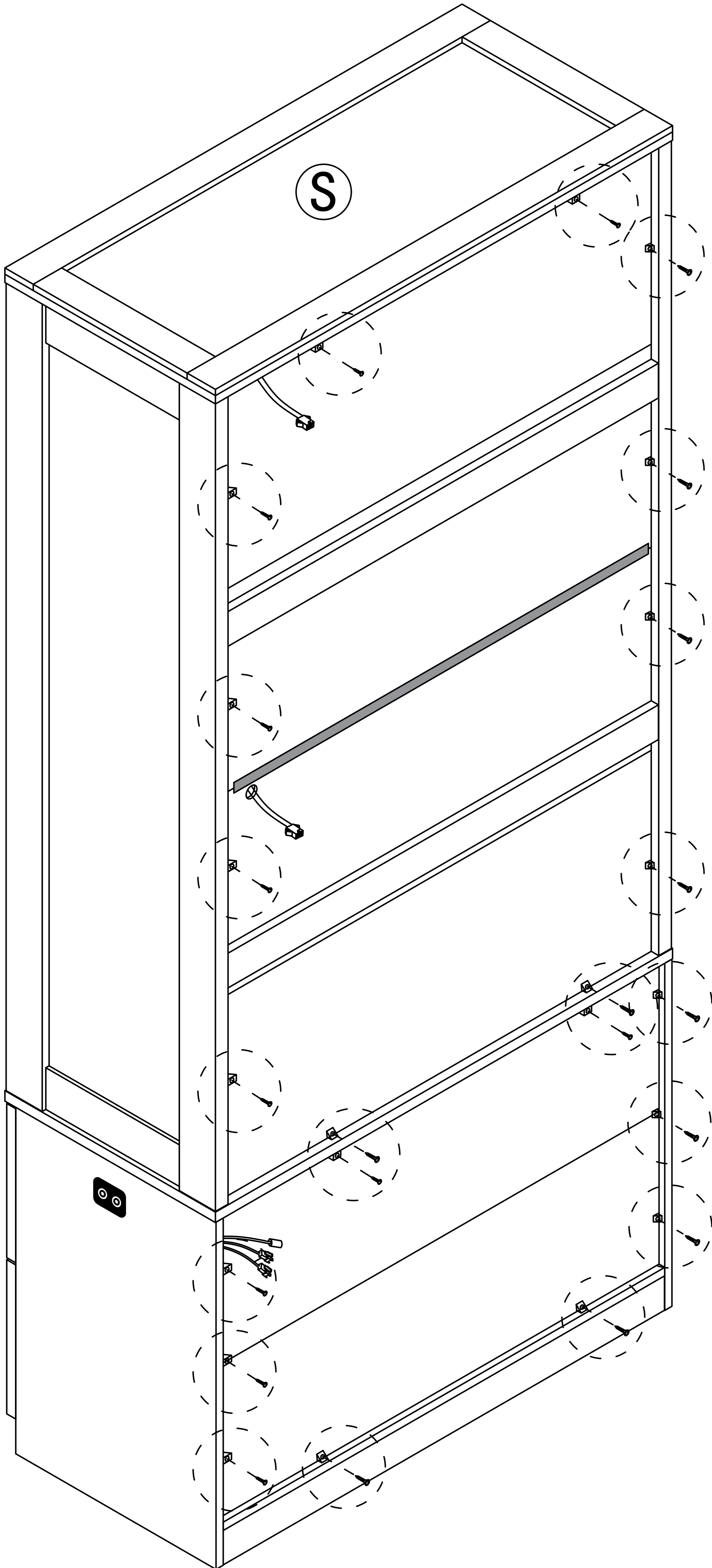


Close the glass door

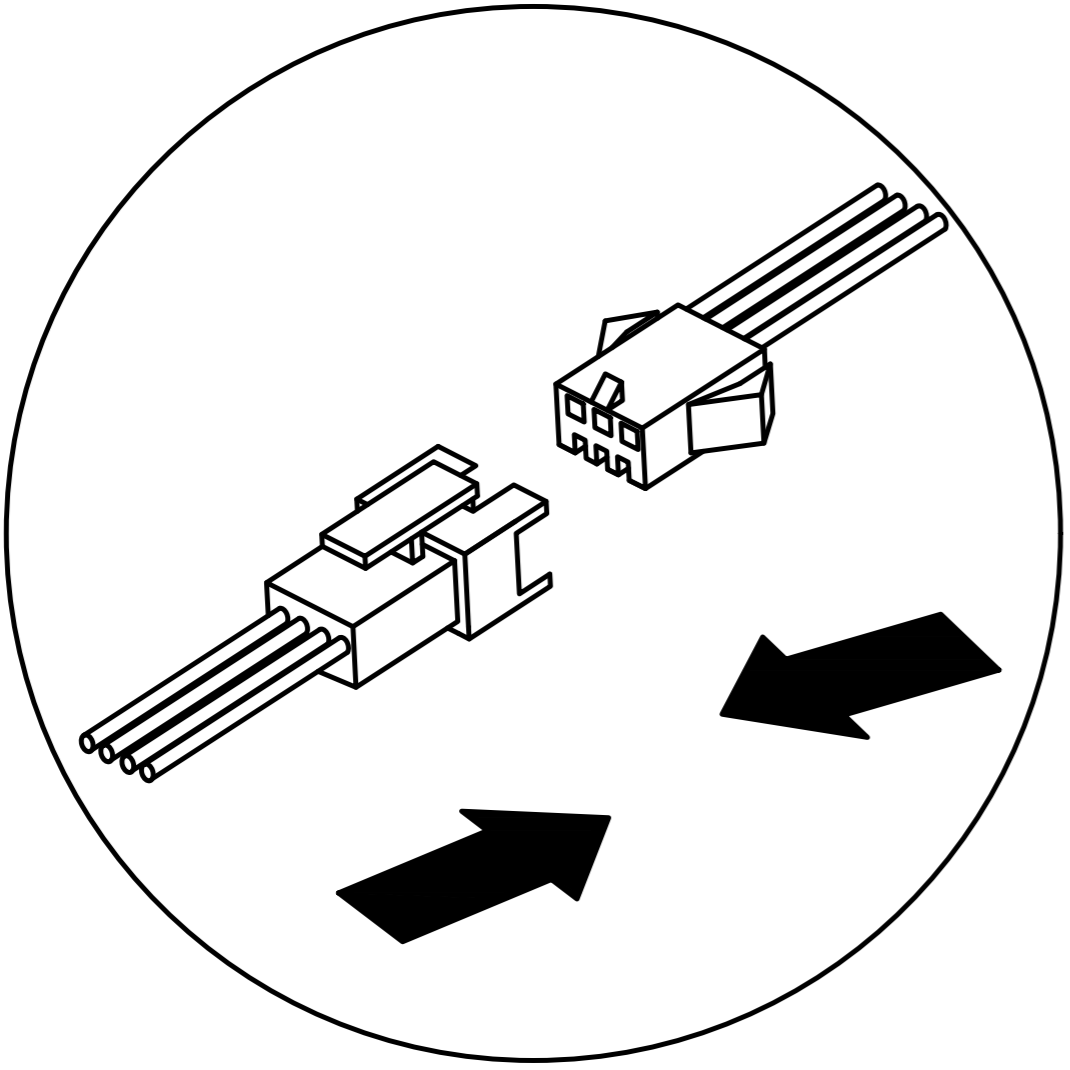
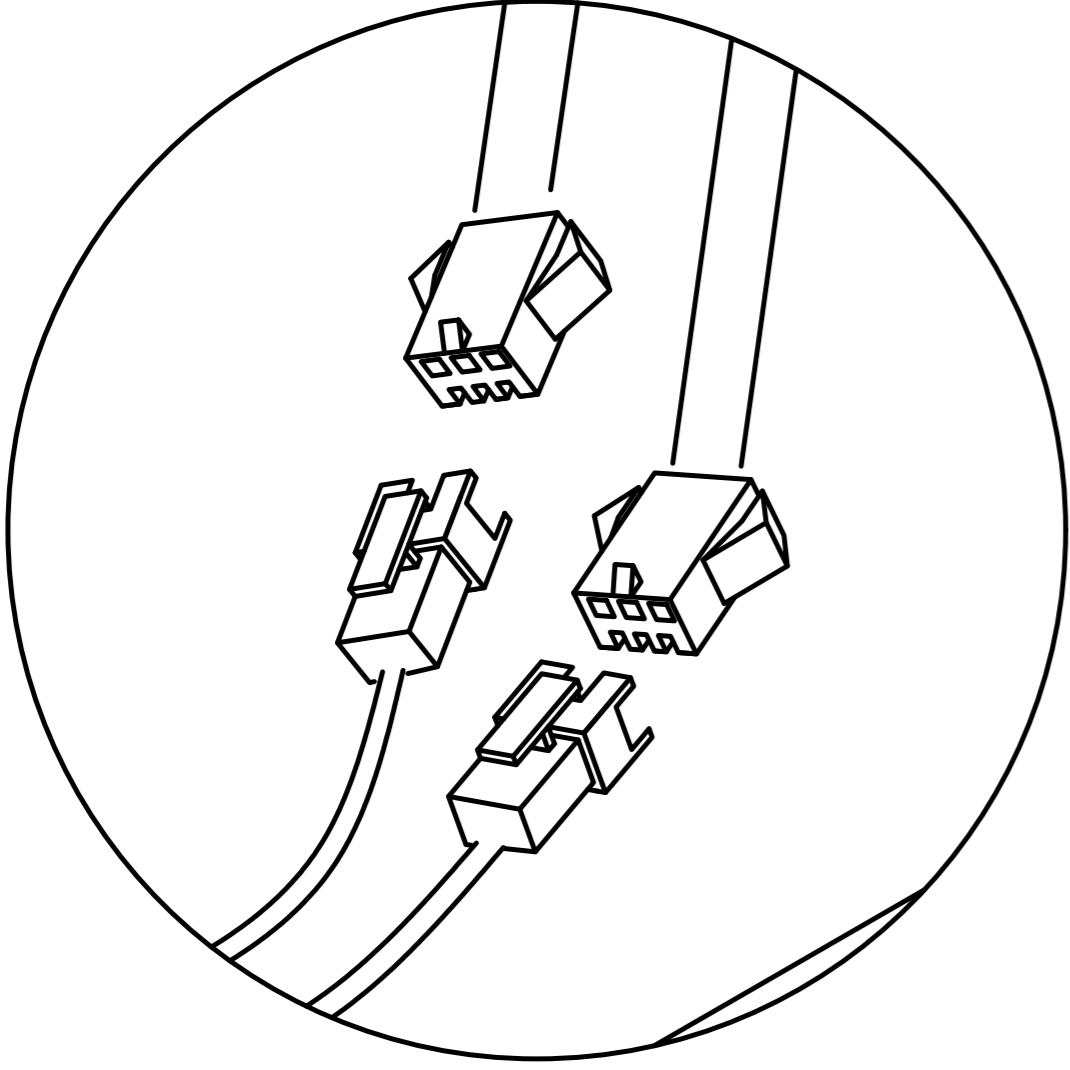
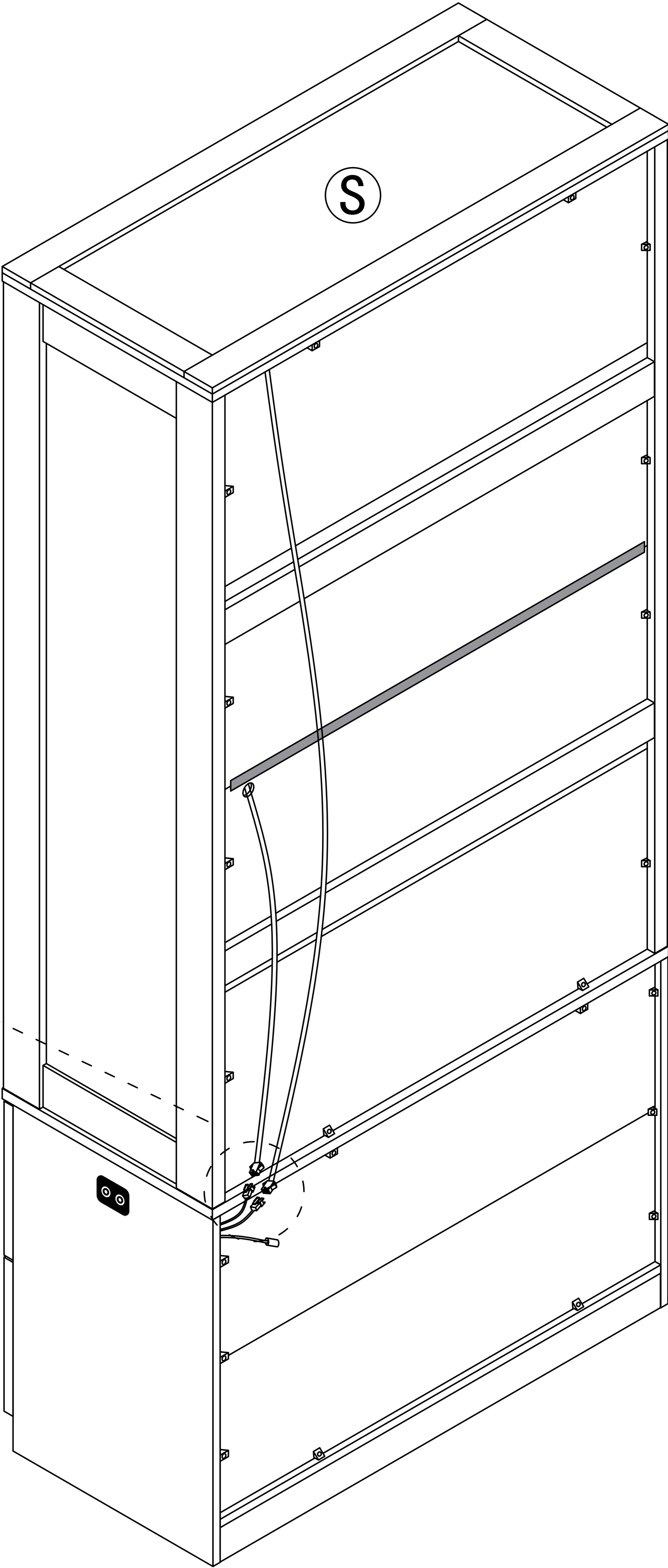


Step 45

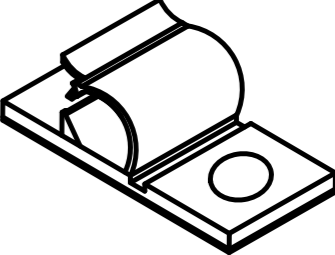
10  x22

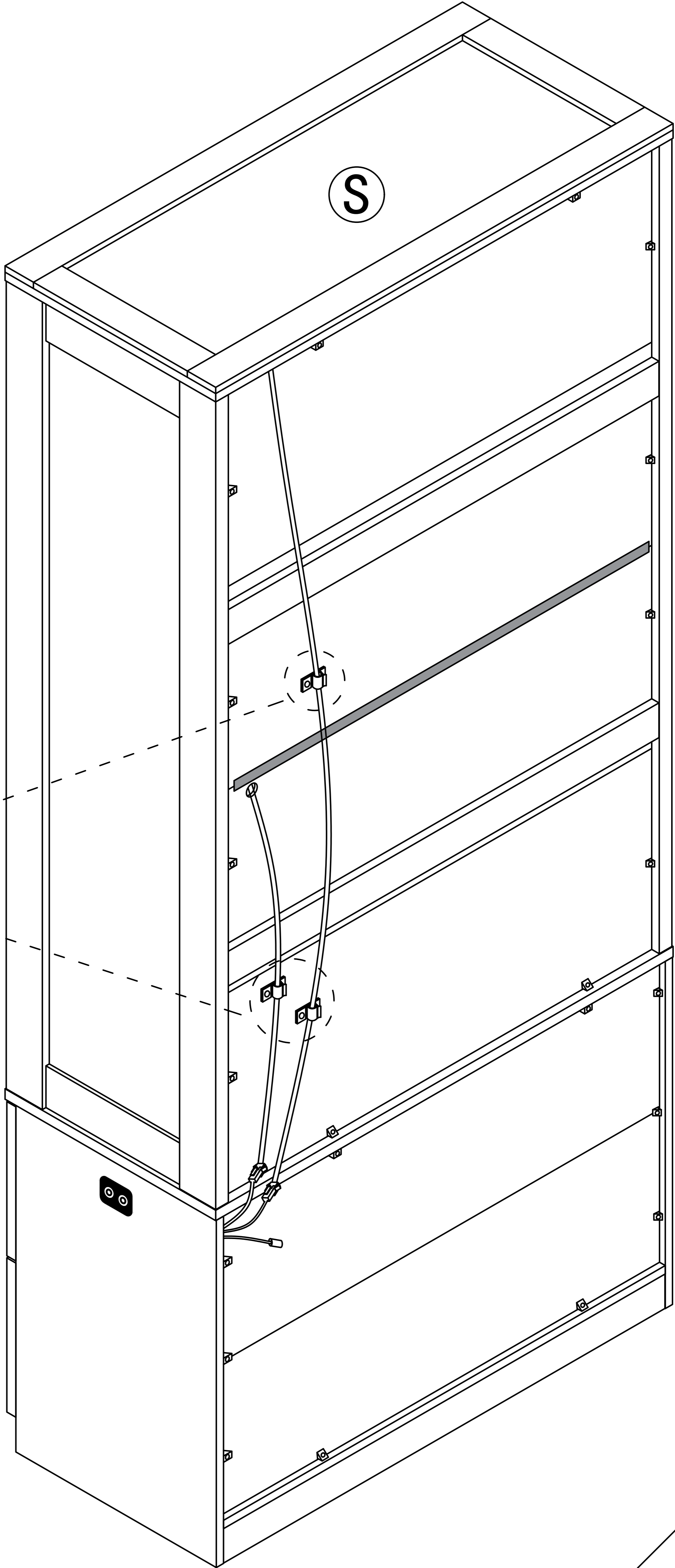
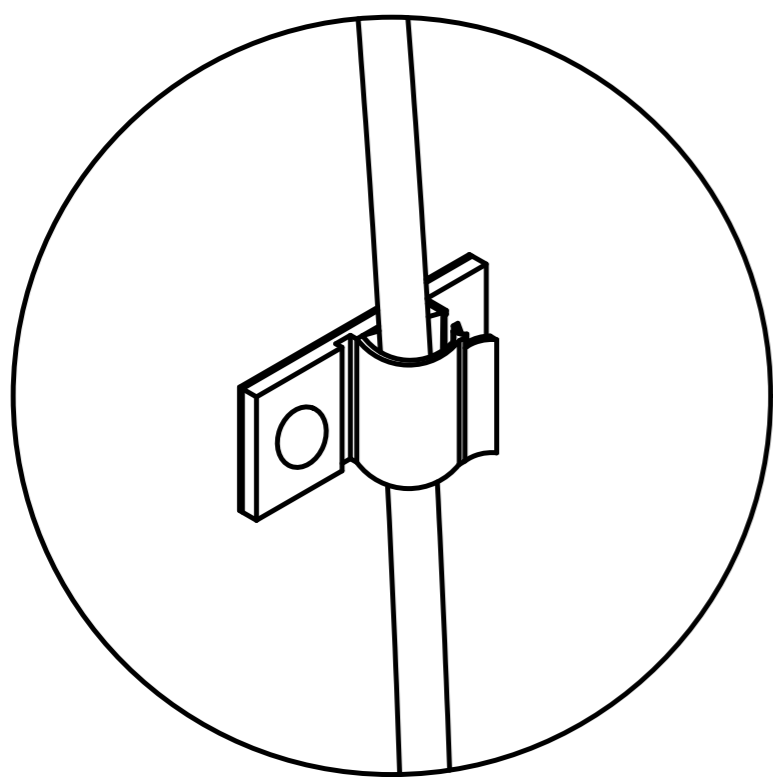


Step 46

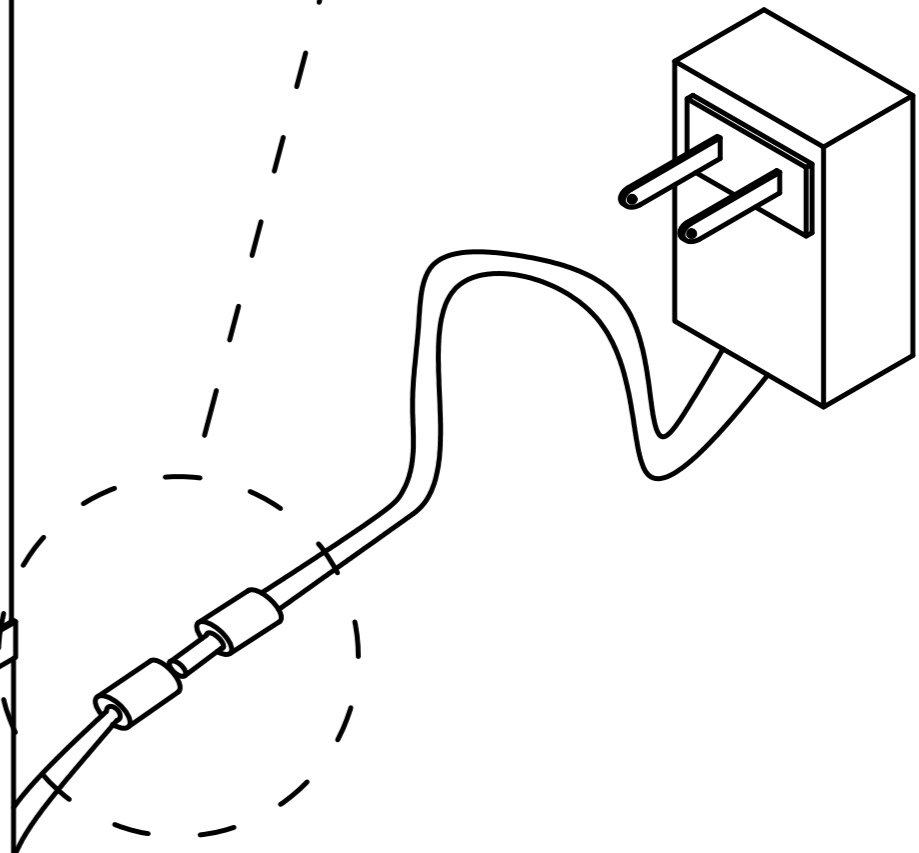
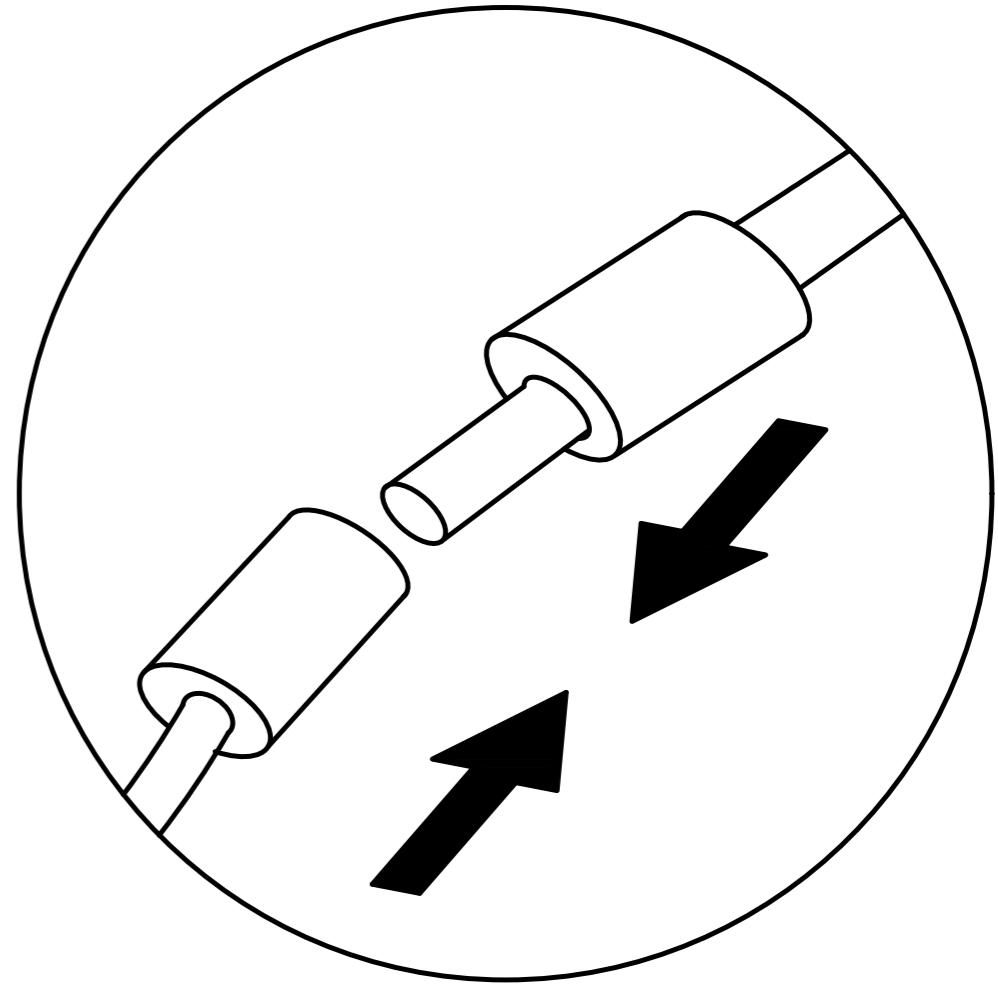
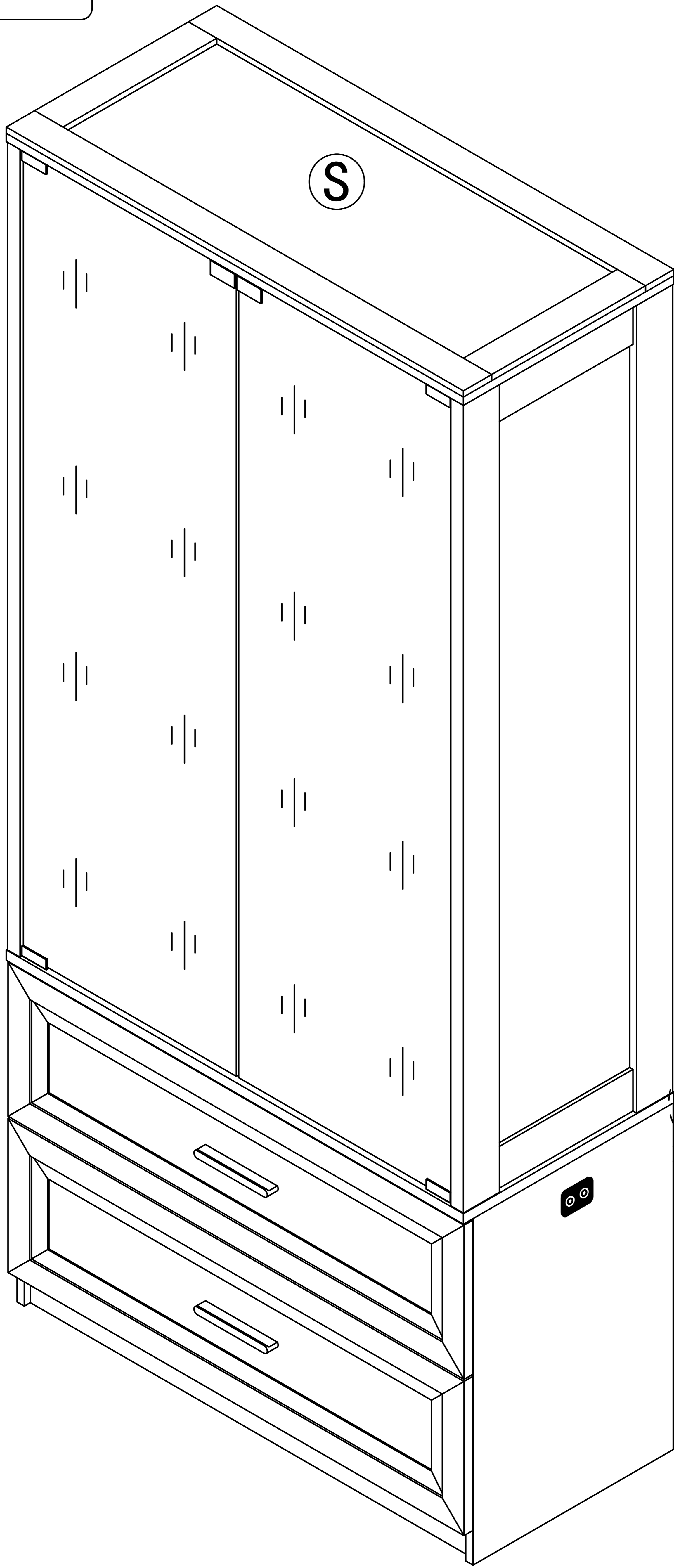
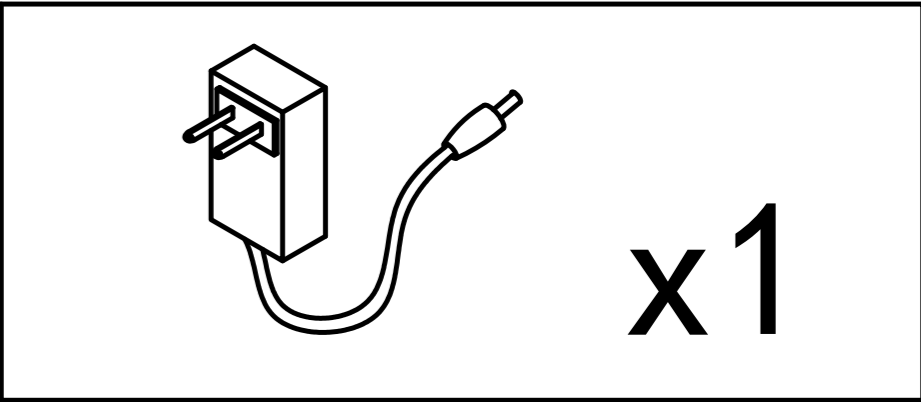


Step 47

11  x3

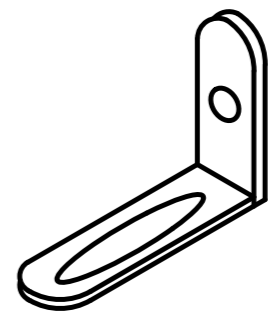
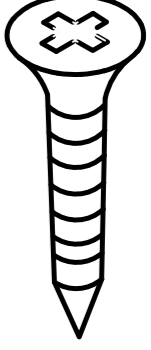
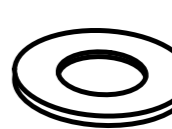


Step 48

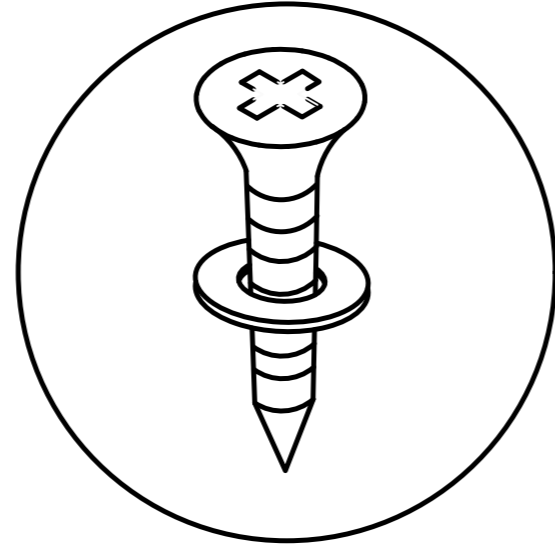


Step 49

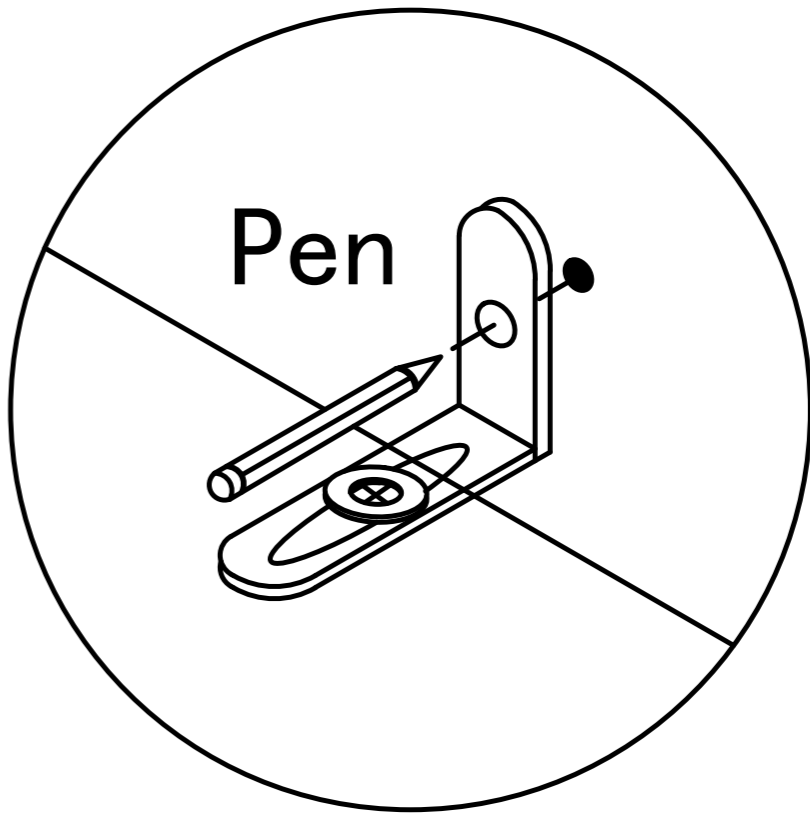
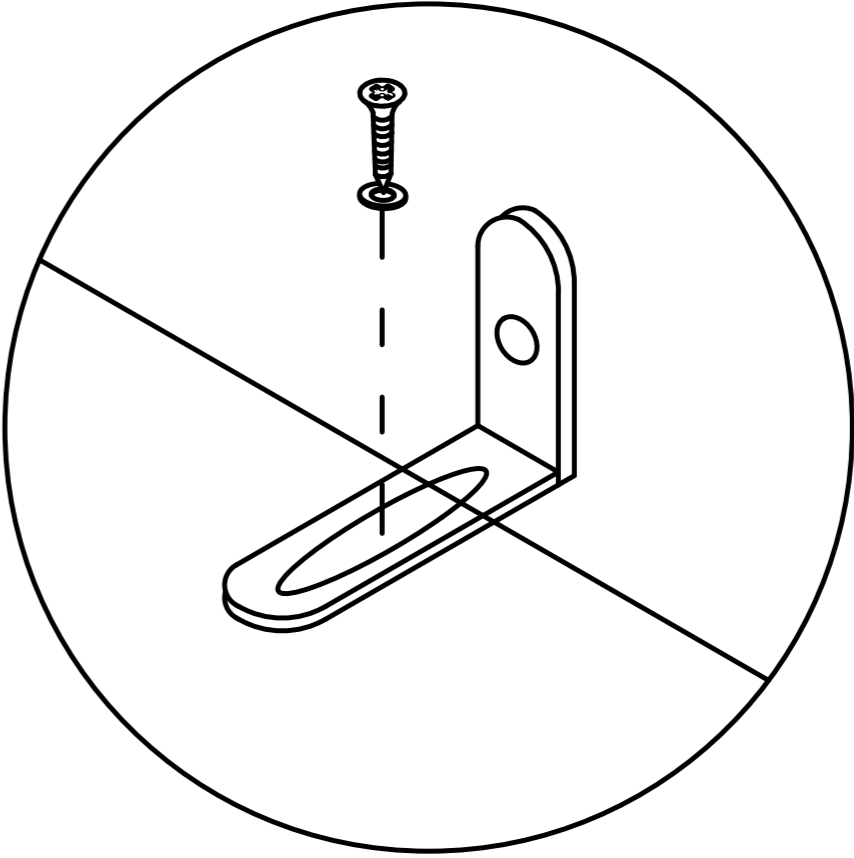
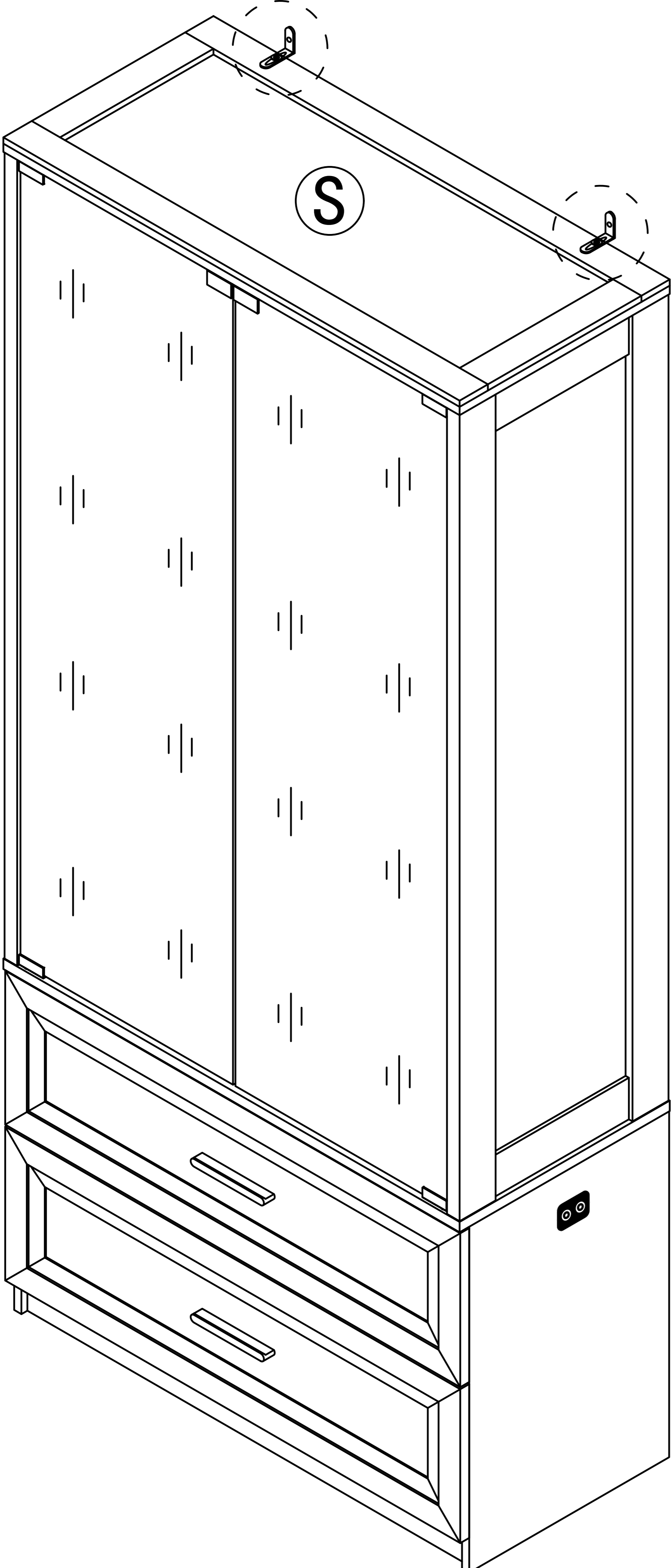
Install as required

12  x2  x2
 x2

3.5x14mm



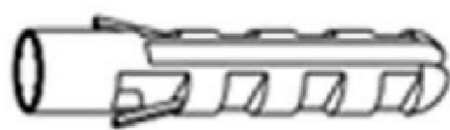
Install the anti fall hardware on the cabinet as shown in the picture first

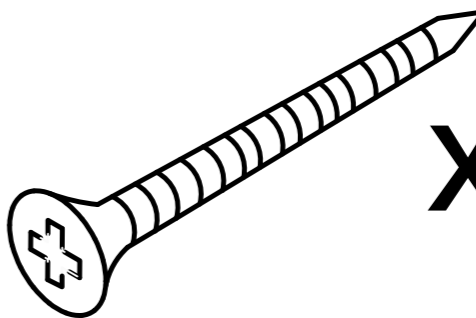
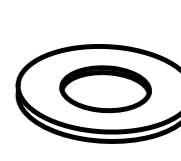


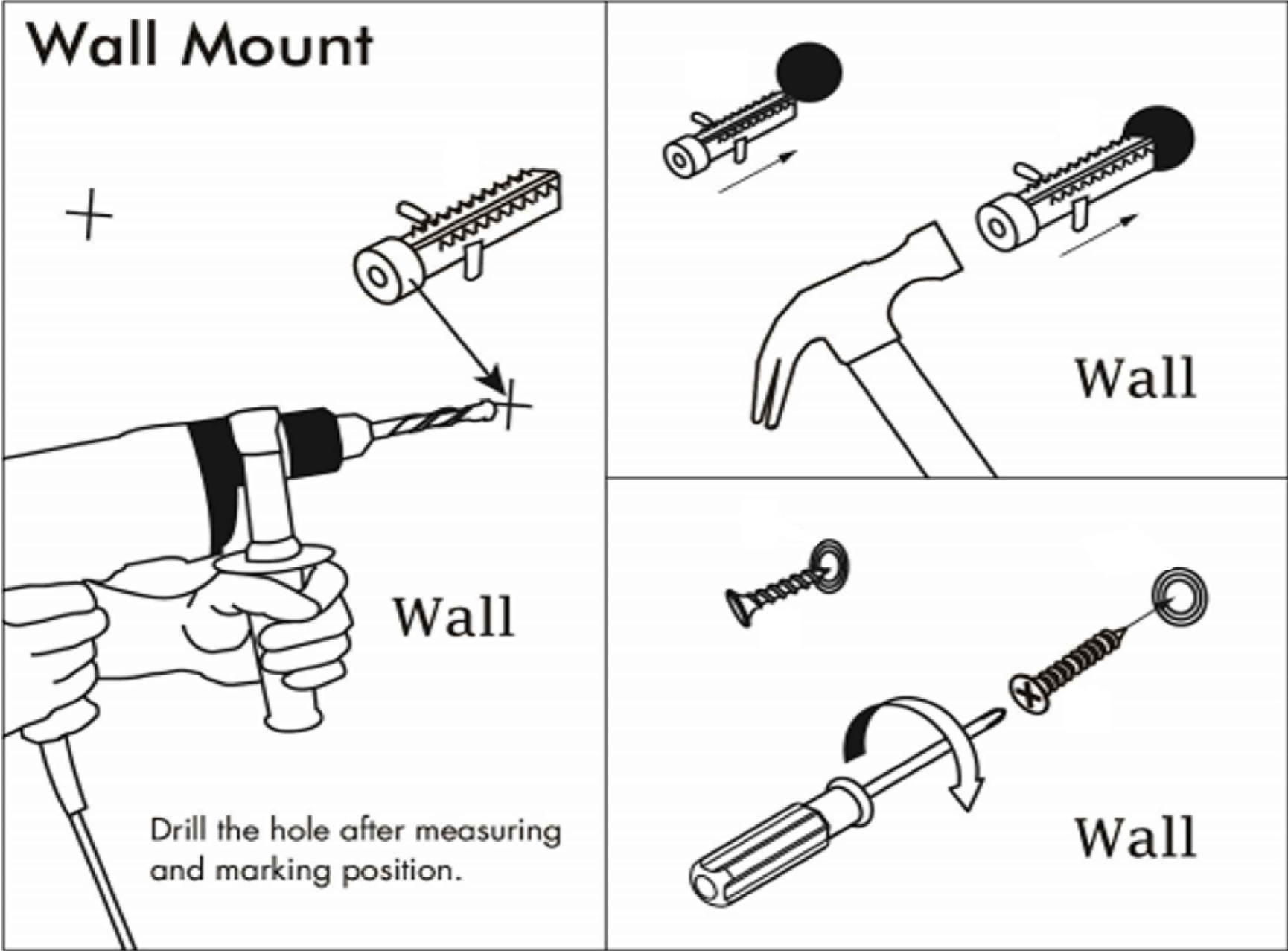
Then mark the wall with a pen through the holes in the anti-fall hardware

Step 50

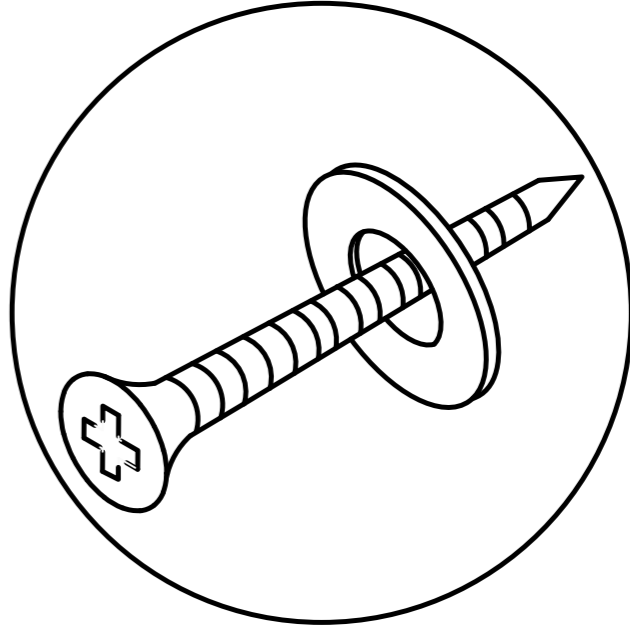
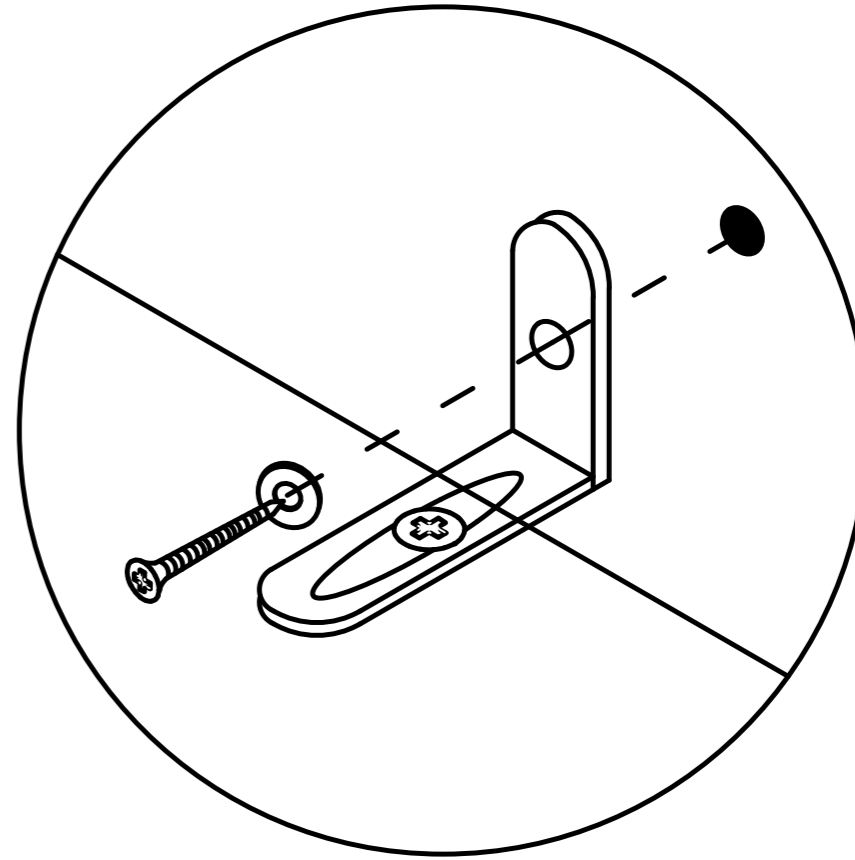
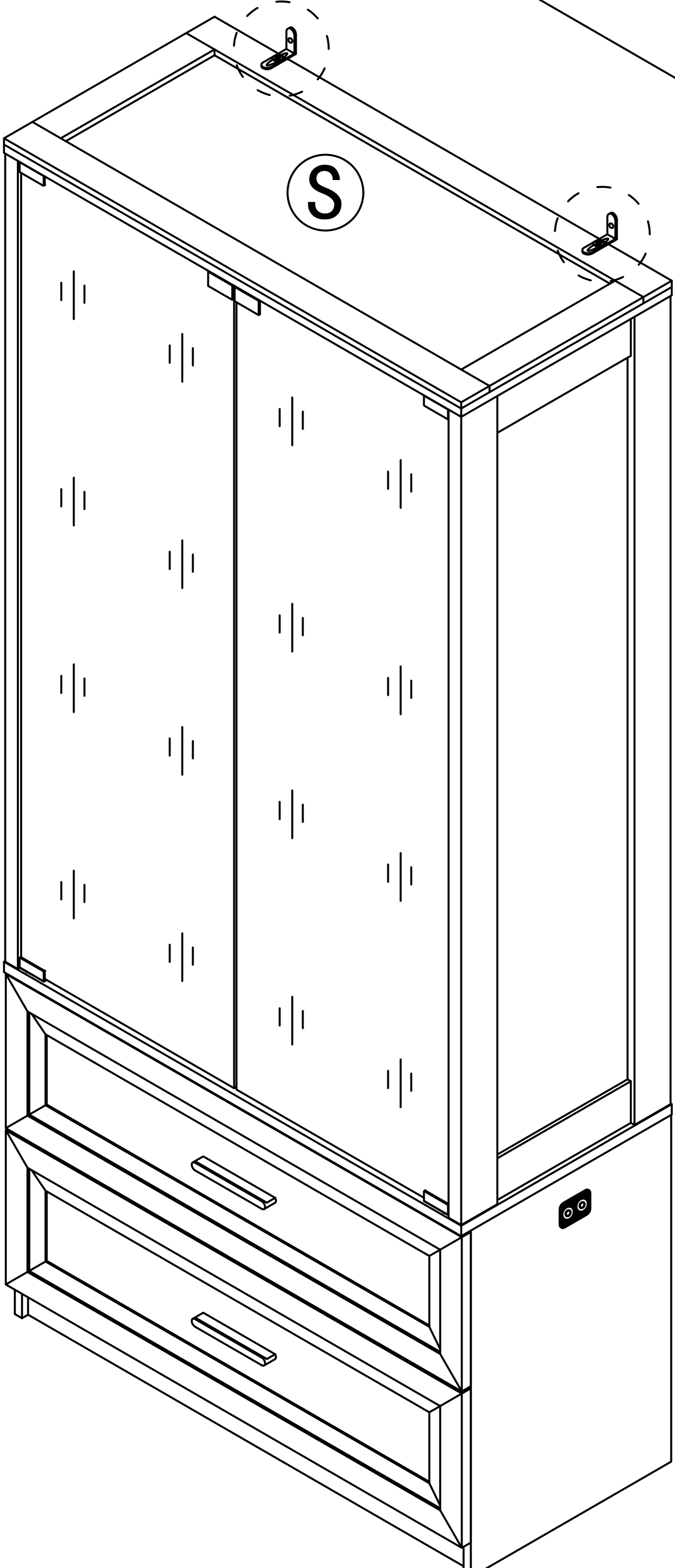
12

 x2

 x2  x2



Drill the hole with an electric drill and punch in the colloidal particles



4x45mm

Fix the dressing table to the wall

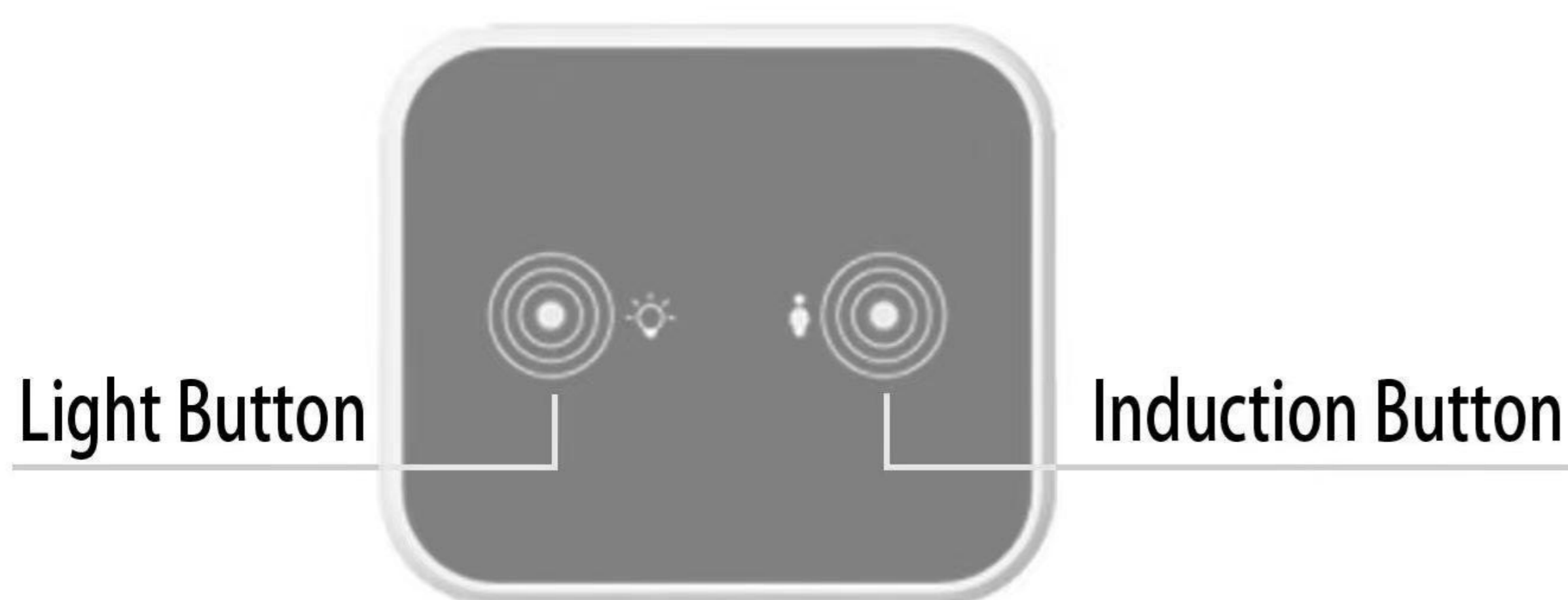
User's Guide

Thank you for purchasing this product. To use this product, please plug it into a 12V DC power supply. Please use if the product works normally after connecting to power.

Introduction

The box is an intelligent controller with 2 touch buttons. It can turn ON/OFF the light, change light colors, and adjust the light luminance.

Product Show



ATTENTION PLEASE

1. If there is no touch response suddenly, Re-plug the power to reset the touch static electricity.
2. If bubbles appear on the panel, remove the protective film.

Operation



This touch button is used to turn on/off, change colors, and adjust brightness.

A. Short touch -> lighting on -> short touch -> change light color -> short touch -> change light color -> short touch -> lighting off. B. Long touch -> adjust the luminance



This touch button is used to turn on/off the induction function.

A. Short touch to turn on the induction function. It can auto-turn on the light when people are close to the controller in 1 meters. It can auto power off the light when the body is far away from the controller after 30 seconds.

B. Long touch to turn off the induction function.

C. Note: When you touch the light button to change the light modes, the induction function will automatically turn off. It is best to turn on this function after selecting the light color and adjusting the brightness you want.