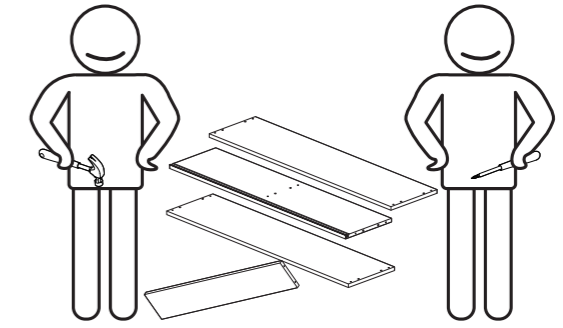
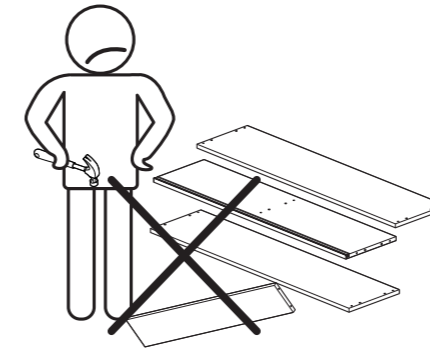
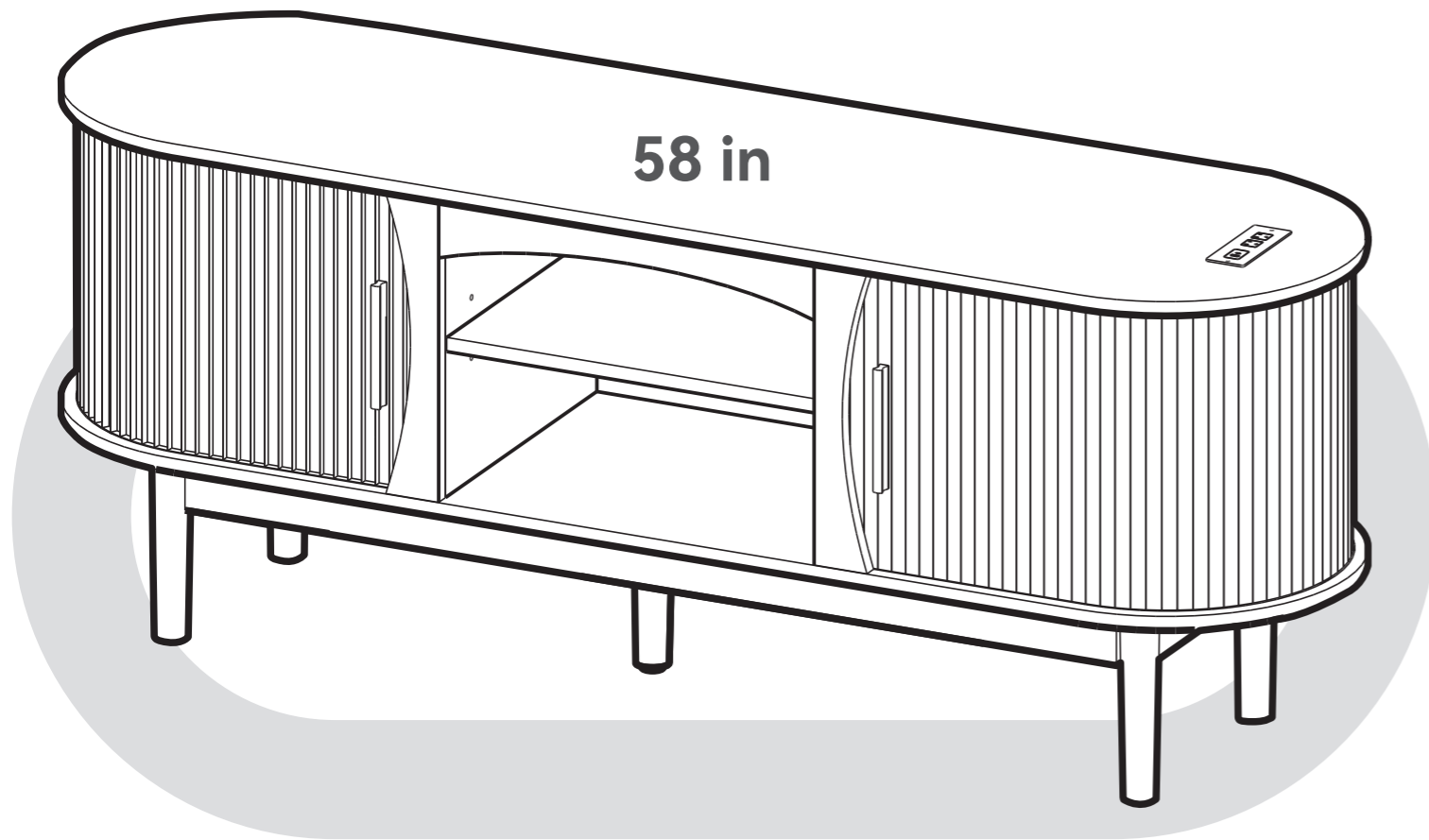
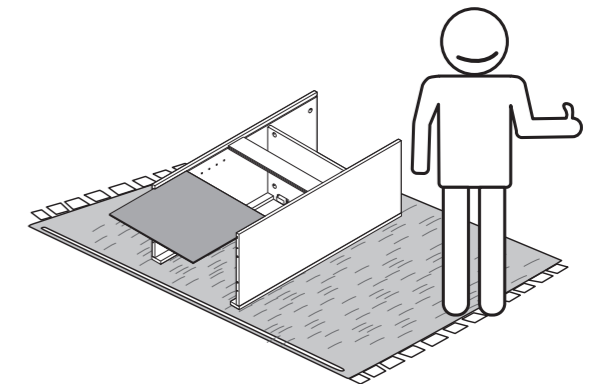
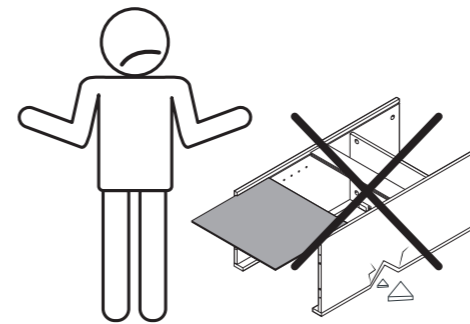


TV STAND

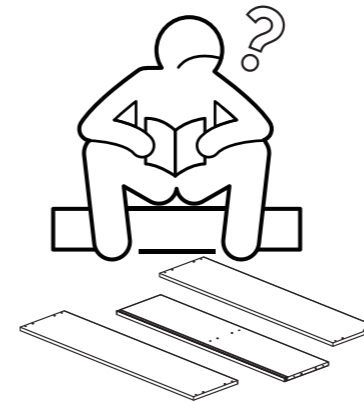
ASSEMBLY INSTRUCTIONS



We recommend at least 2 people for the assembly.



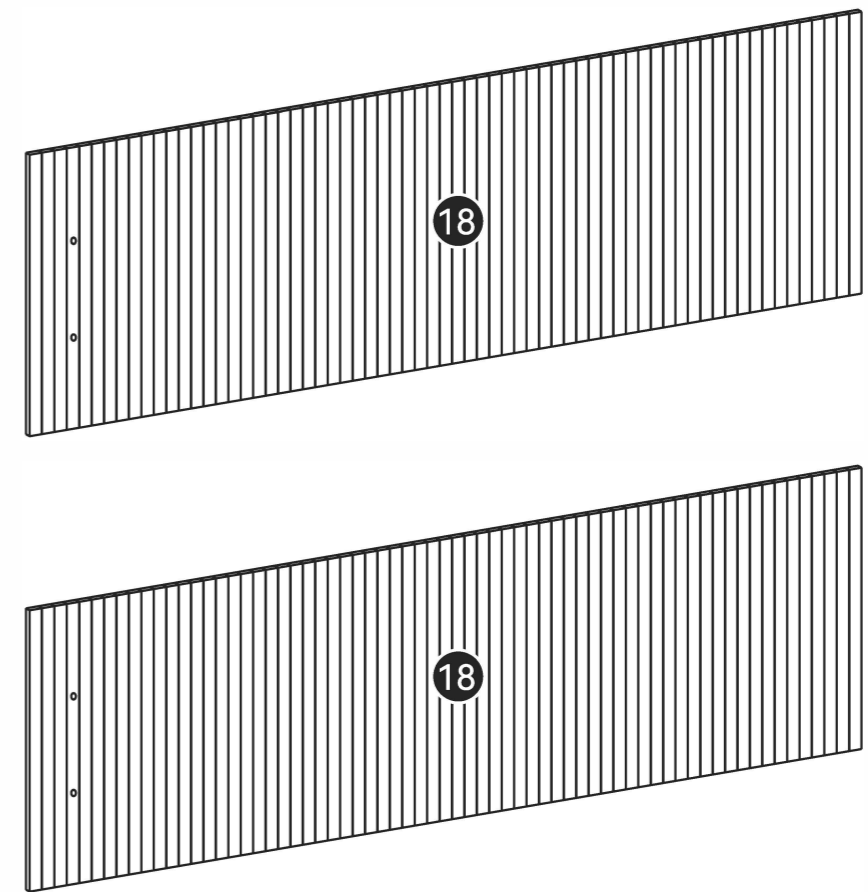
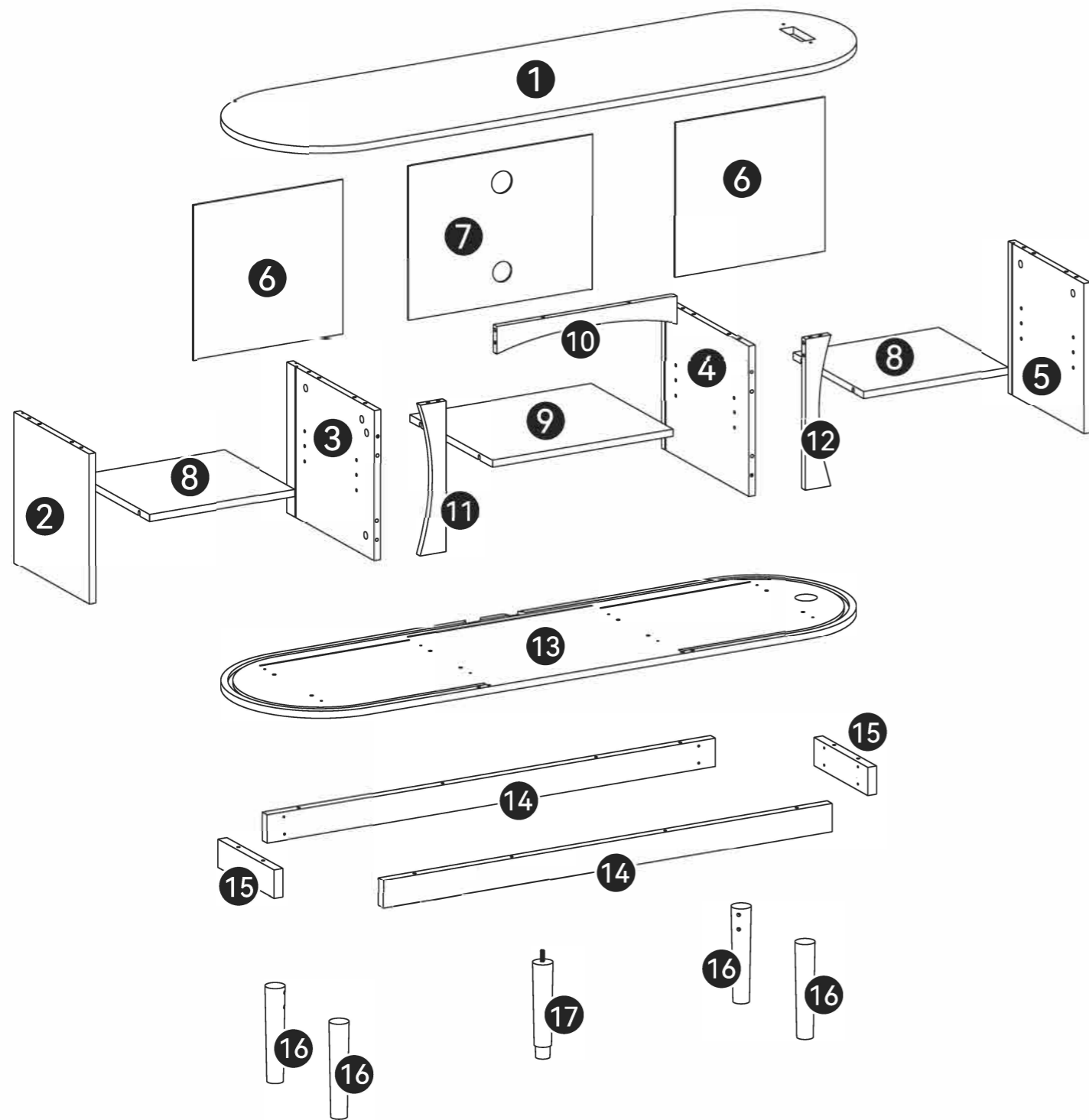
To prevent any damage during assembly, place a mat under the pieces.



Any questions concerning assembly, contact us

PARTS DIAGRAM

Check if all parts and hardwares are included. Contact us if there is any part missing or damaged.

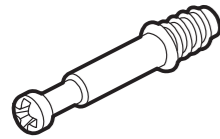


HARDWARES

SPARE PARTS



The spare parts are the additional parts provided in case of missing or damaged ones. Keep the spare parts and tools for future use.



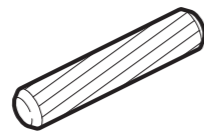
M6x35mm

A x 14



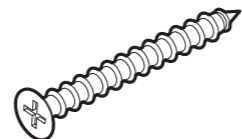
M15x10mm

B x 14



Ø6x30mm

C x 34



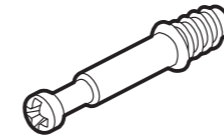
M4x35mm

D x 10



M4x8mm

E x 4



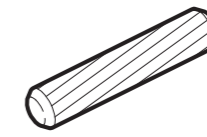
M6x35mm

A x 1



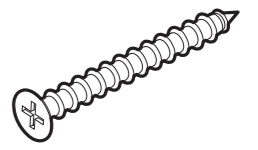
M15x10mm

B x 1



Ø6x30mm

C x 3



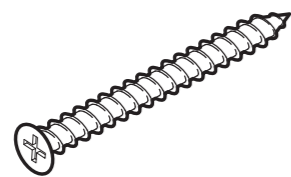
M4x35mm

D x 1



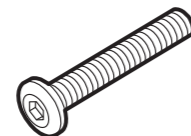
M3x14mm

F x 12



M4x50mm

G x 10



M6x35mm

H x 8



I x 8

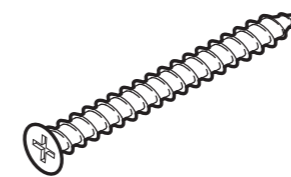


J x 8



M3x14mm

F x 1



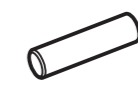
M4x50mm

G x 1



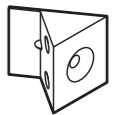
M4x14mm

K x 2



Ø5x25mm

N x 1

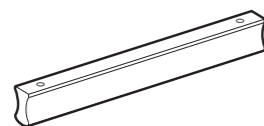


S x 1

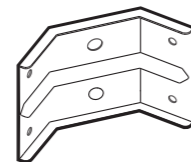


M4x14mm

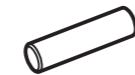
K x 20



L x 2

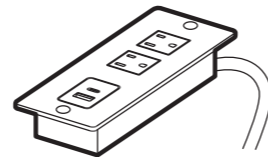


M x 4



Ø5x25mm

N x 12

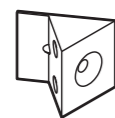


O x 1

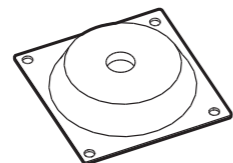


M3.5x12mm

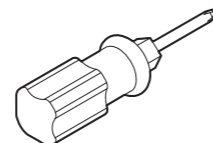
R x 2



S x 12



T x 1



x 1




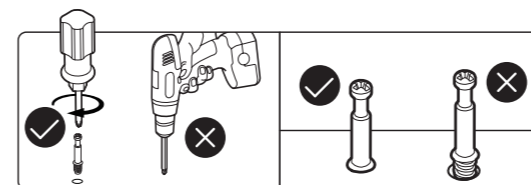
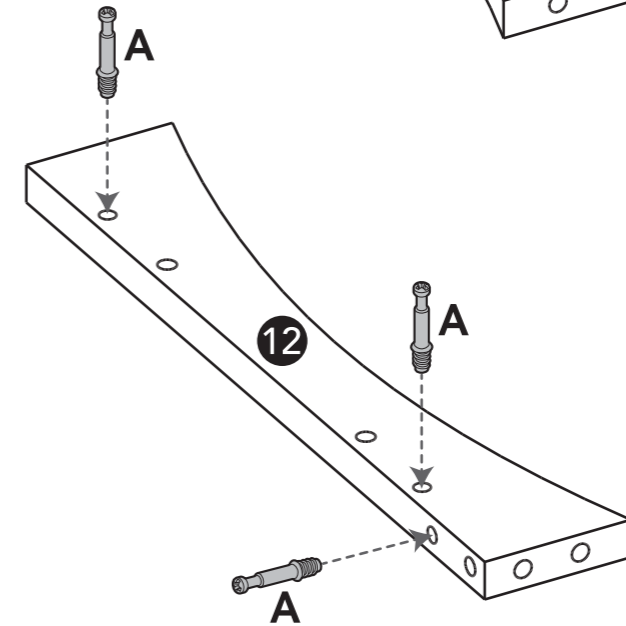
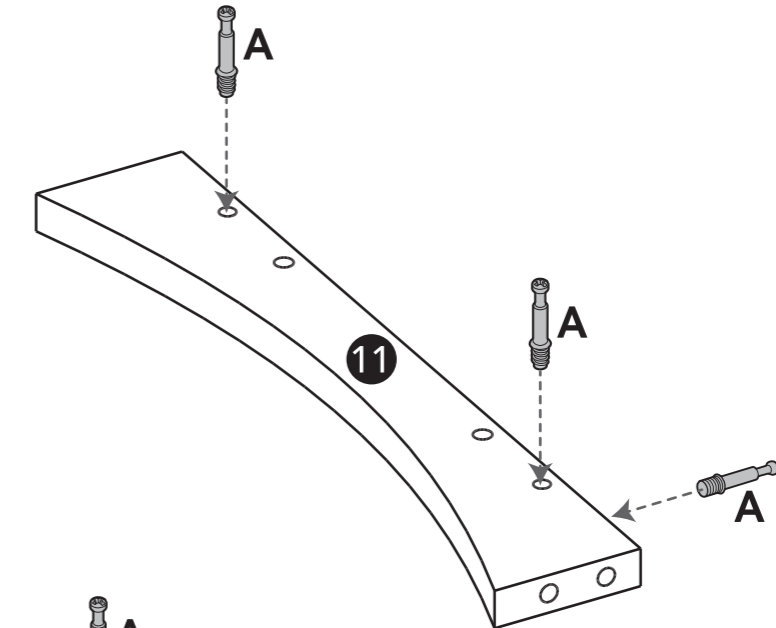
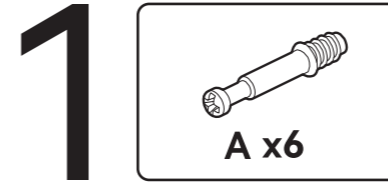
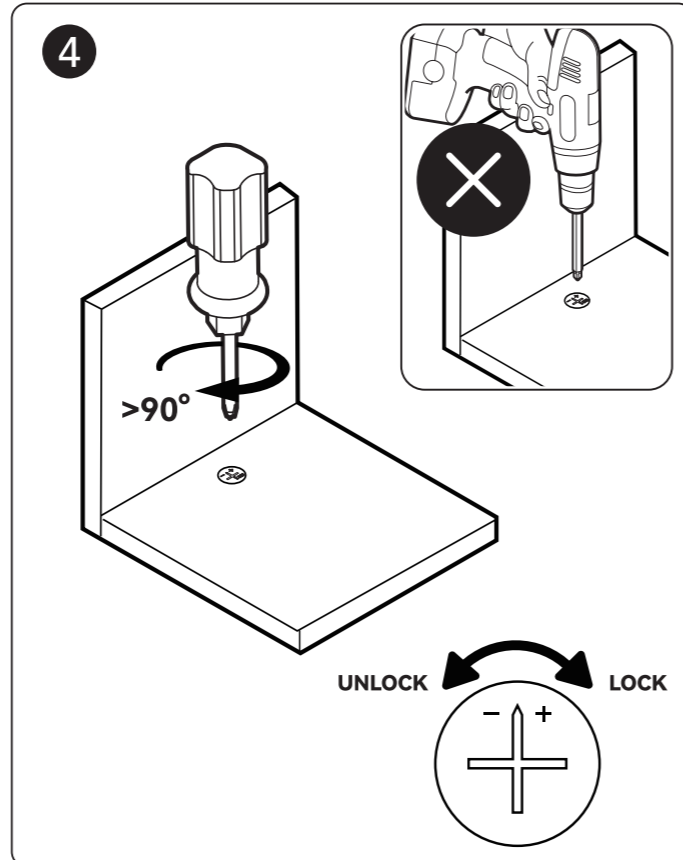
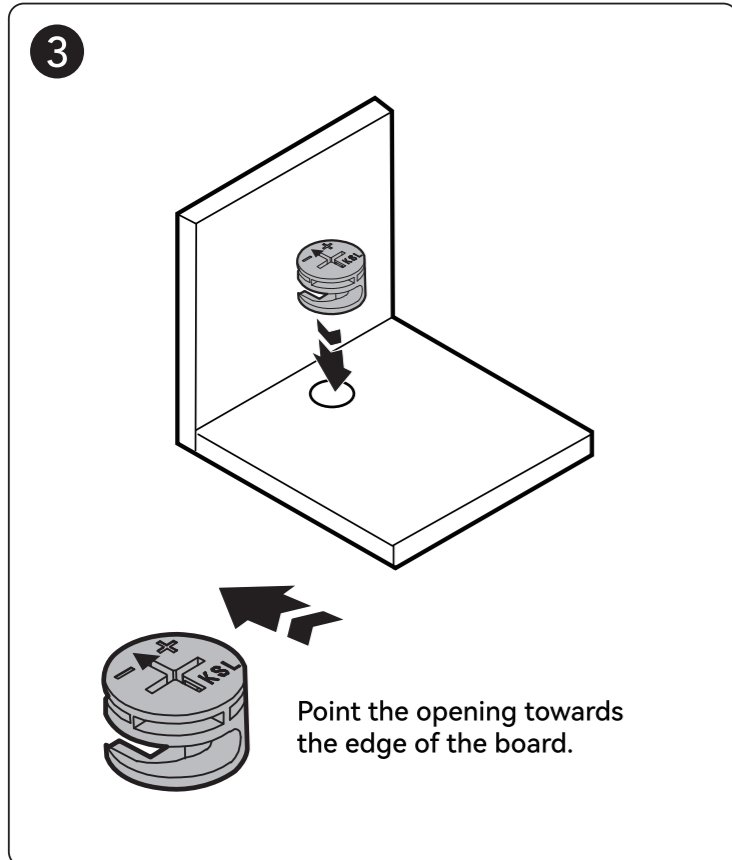
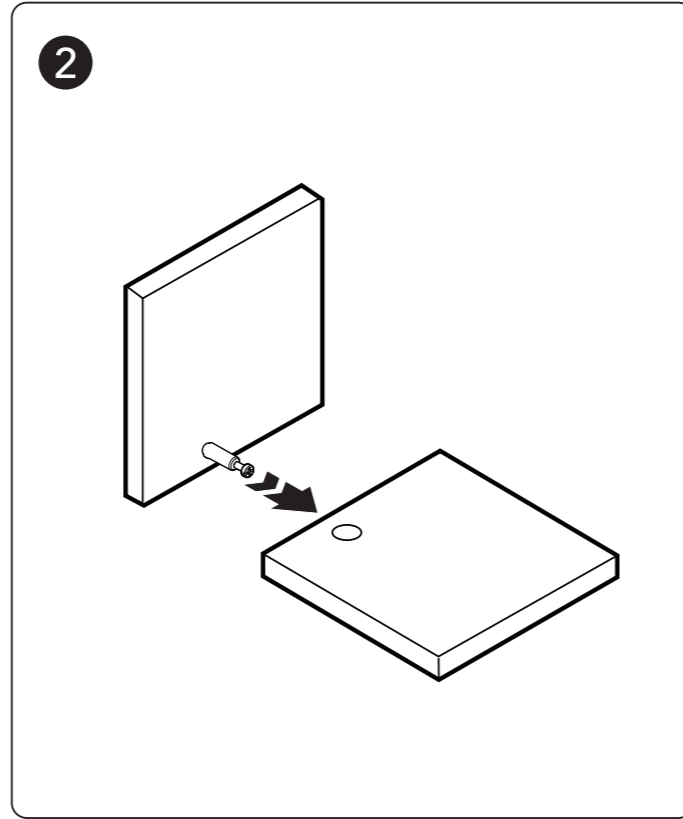
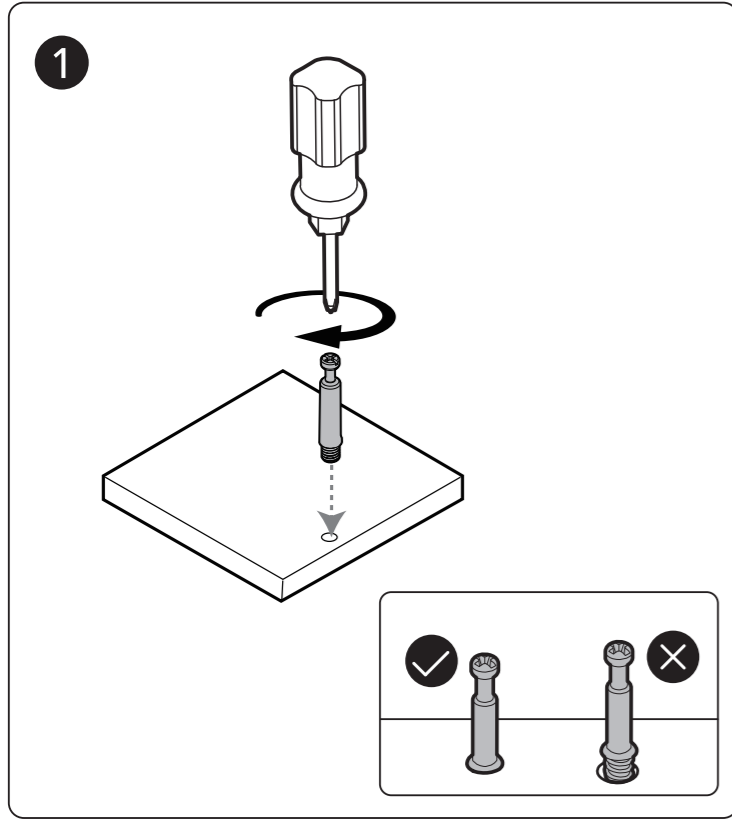
M4

x 1

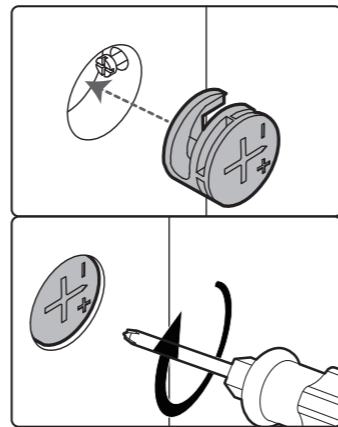
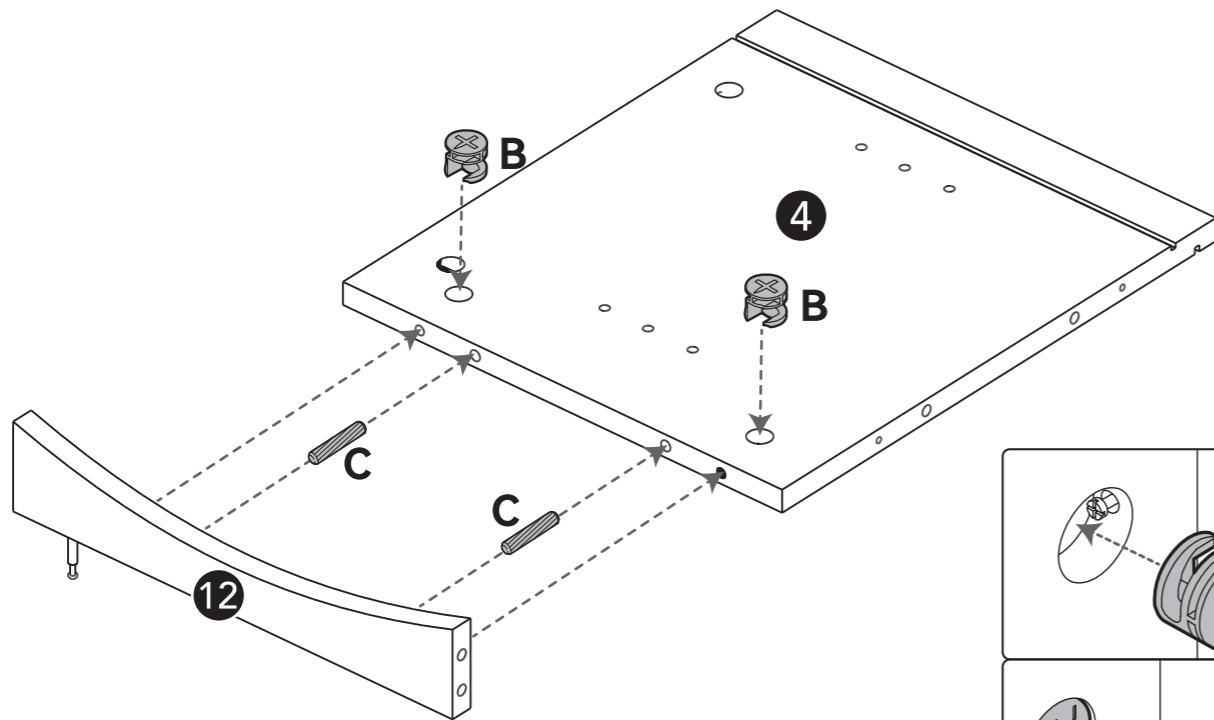
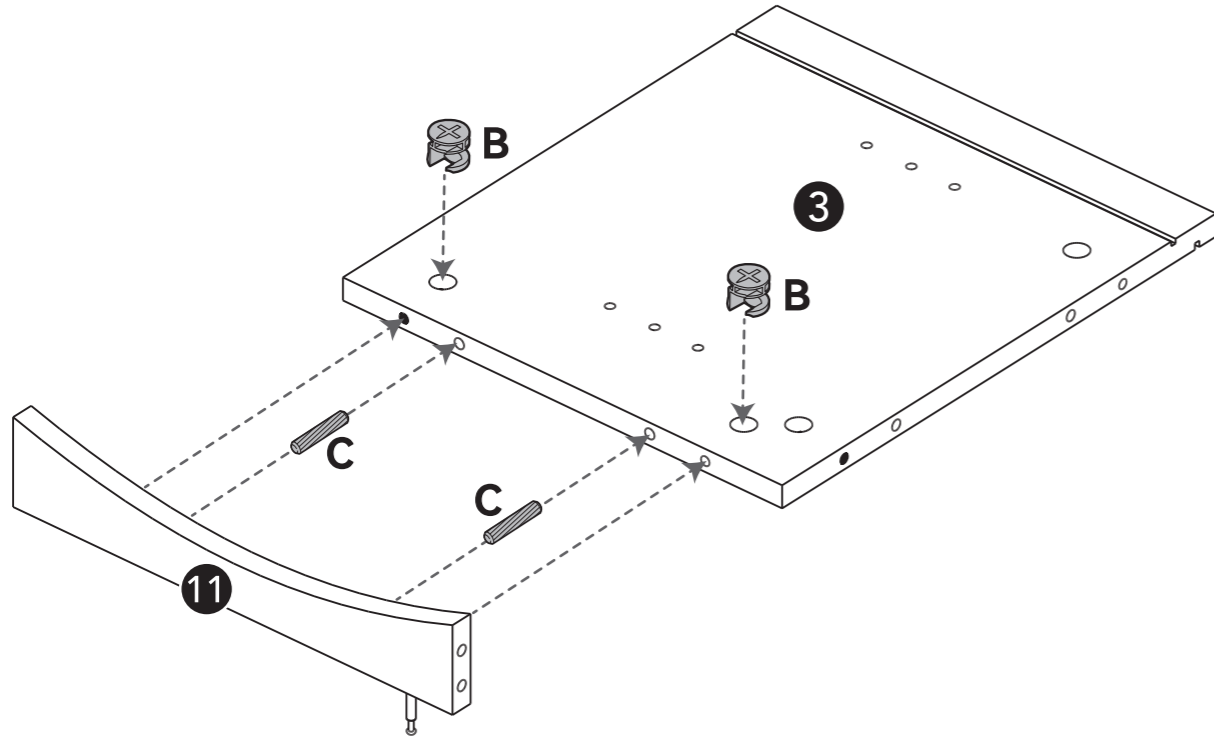
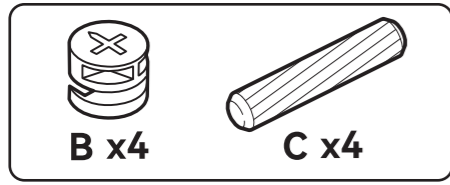
CAM LOCK FASTEN SYSTEM

ASSEMBLY

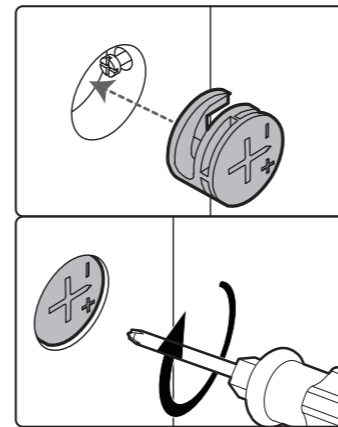
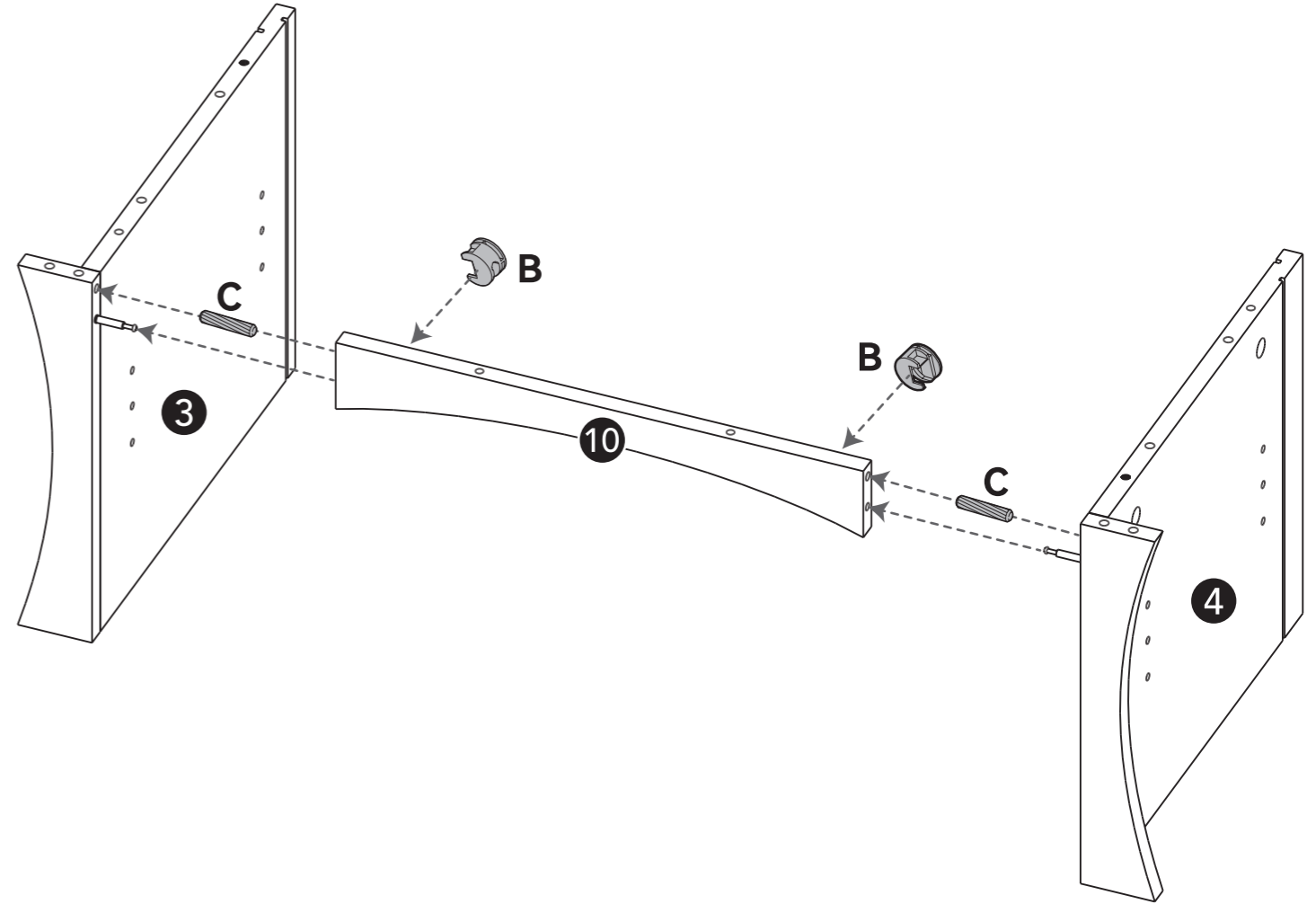
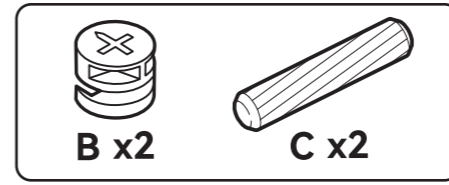
 Insert the cam bolt into the hole, then insert the cam lock and tighten.



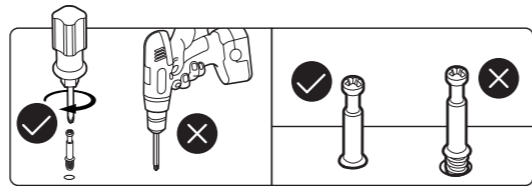
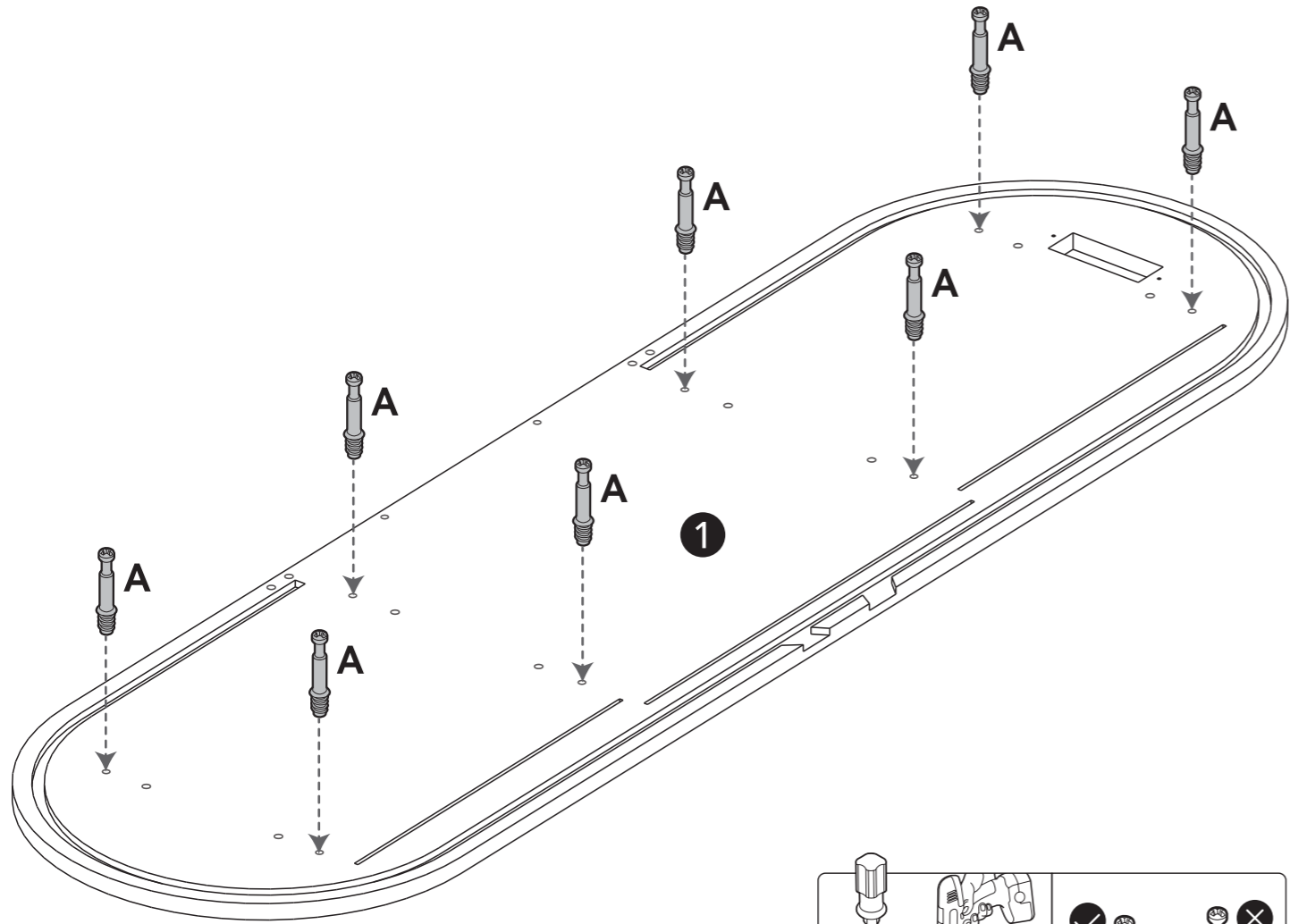
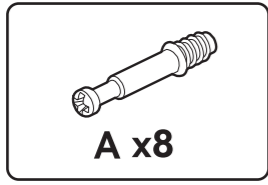
2



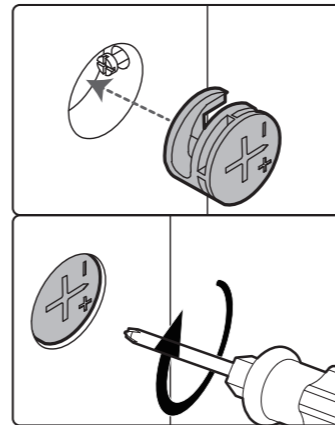
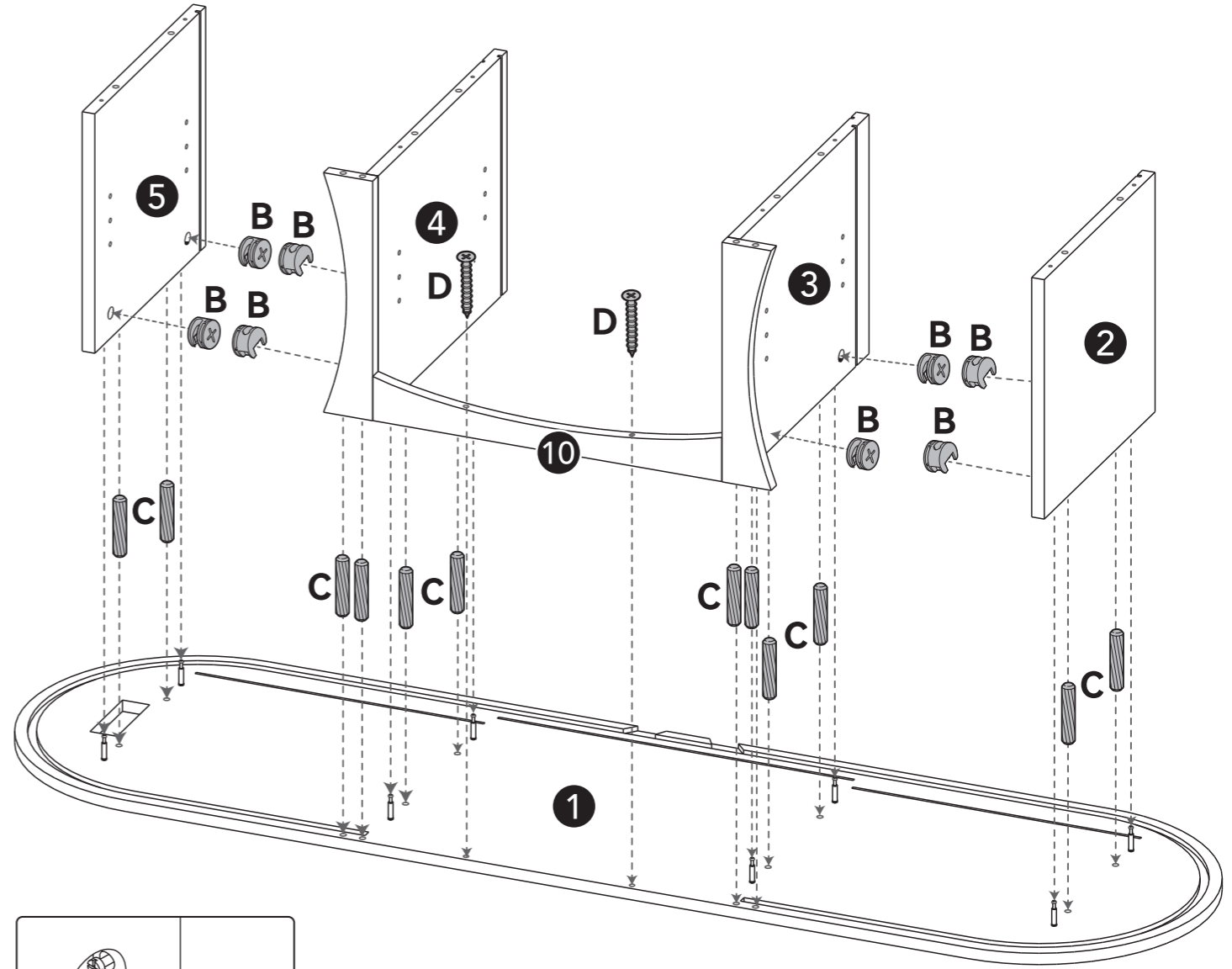
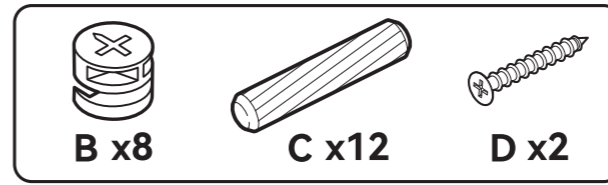
3



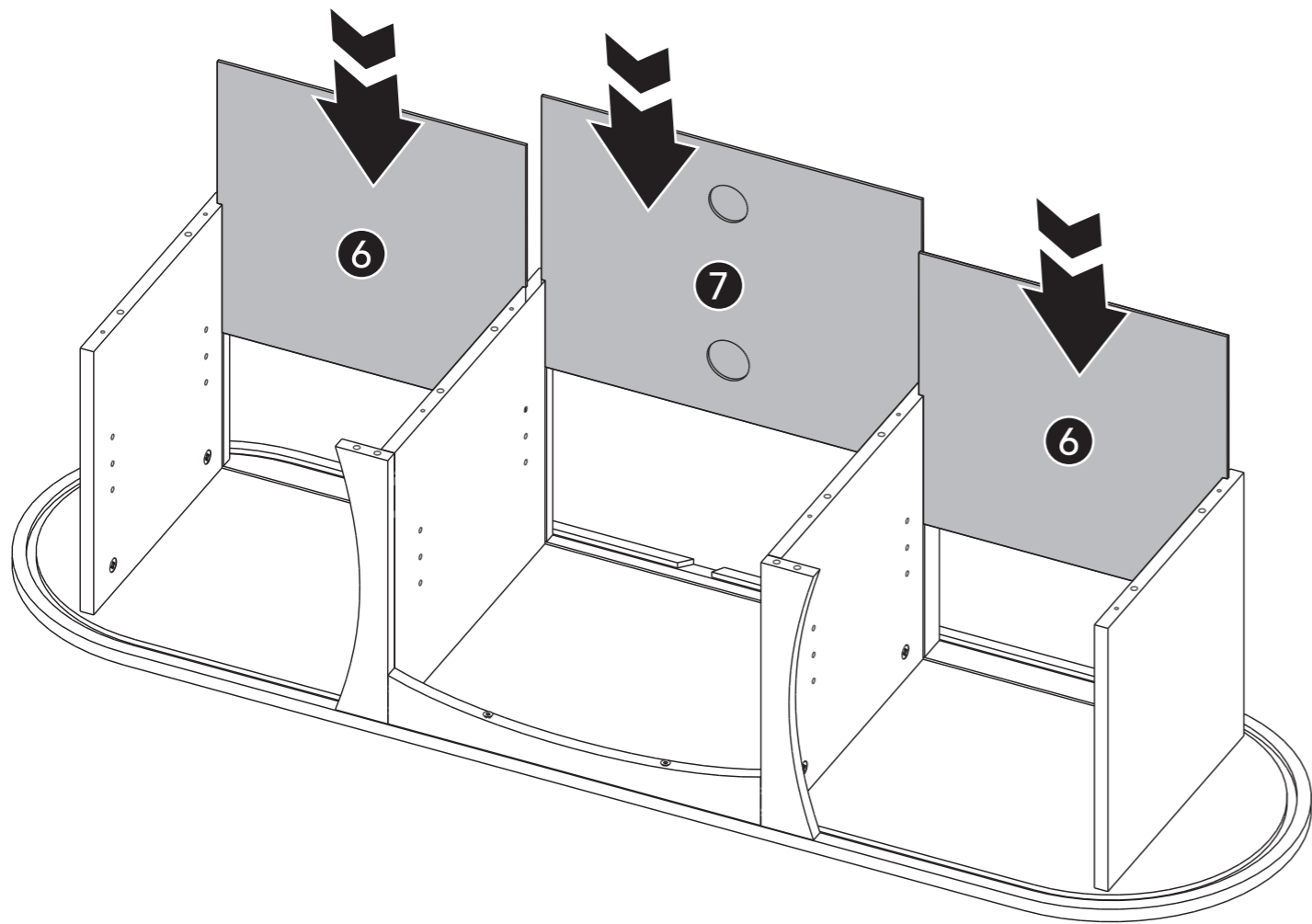
4



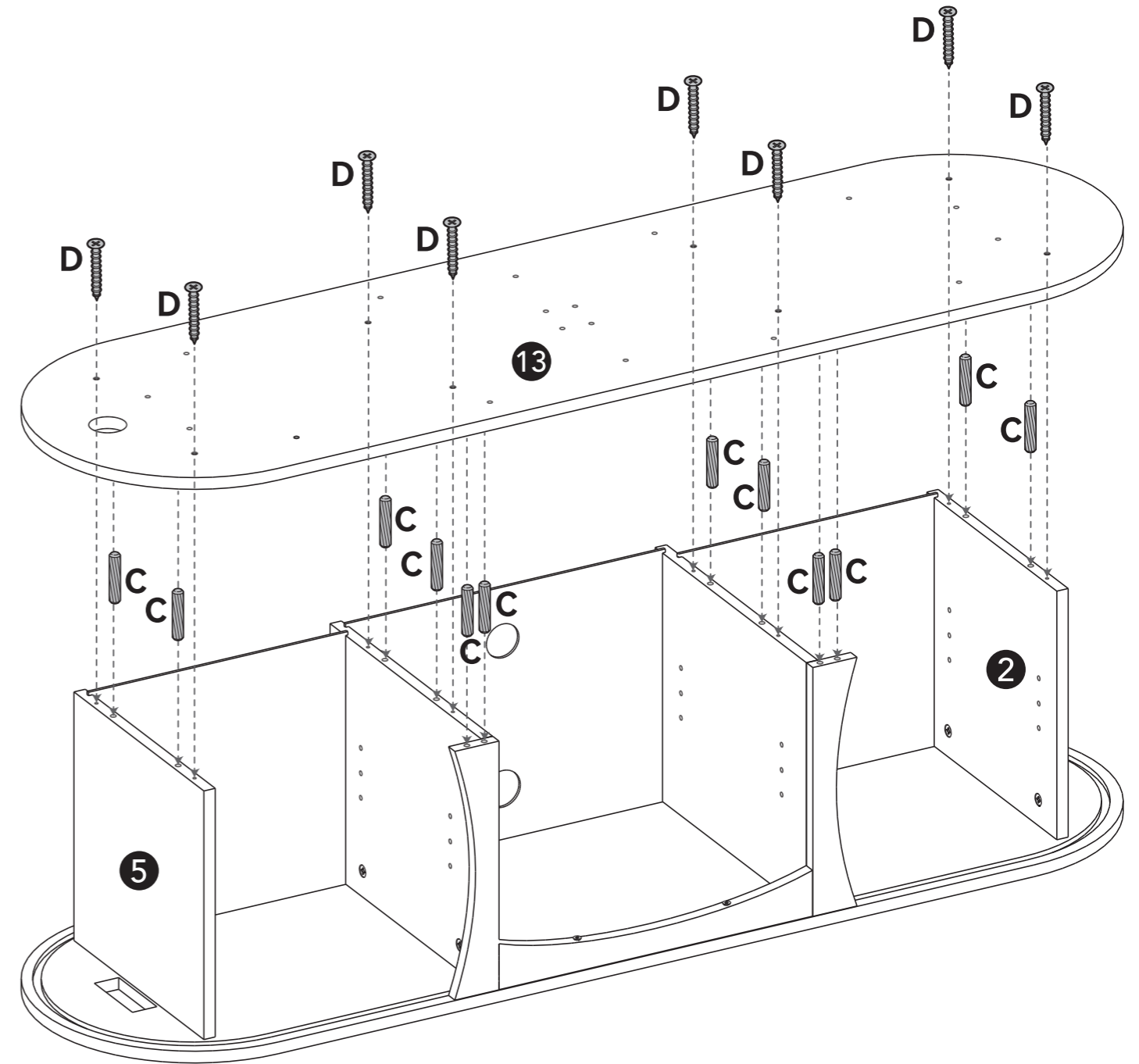
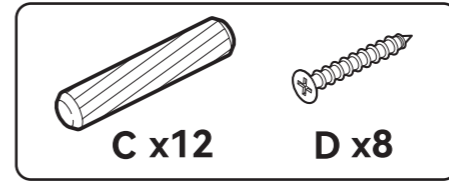
5



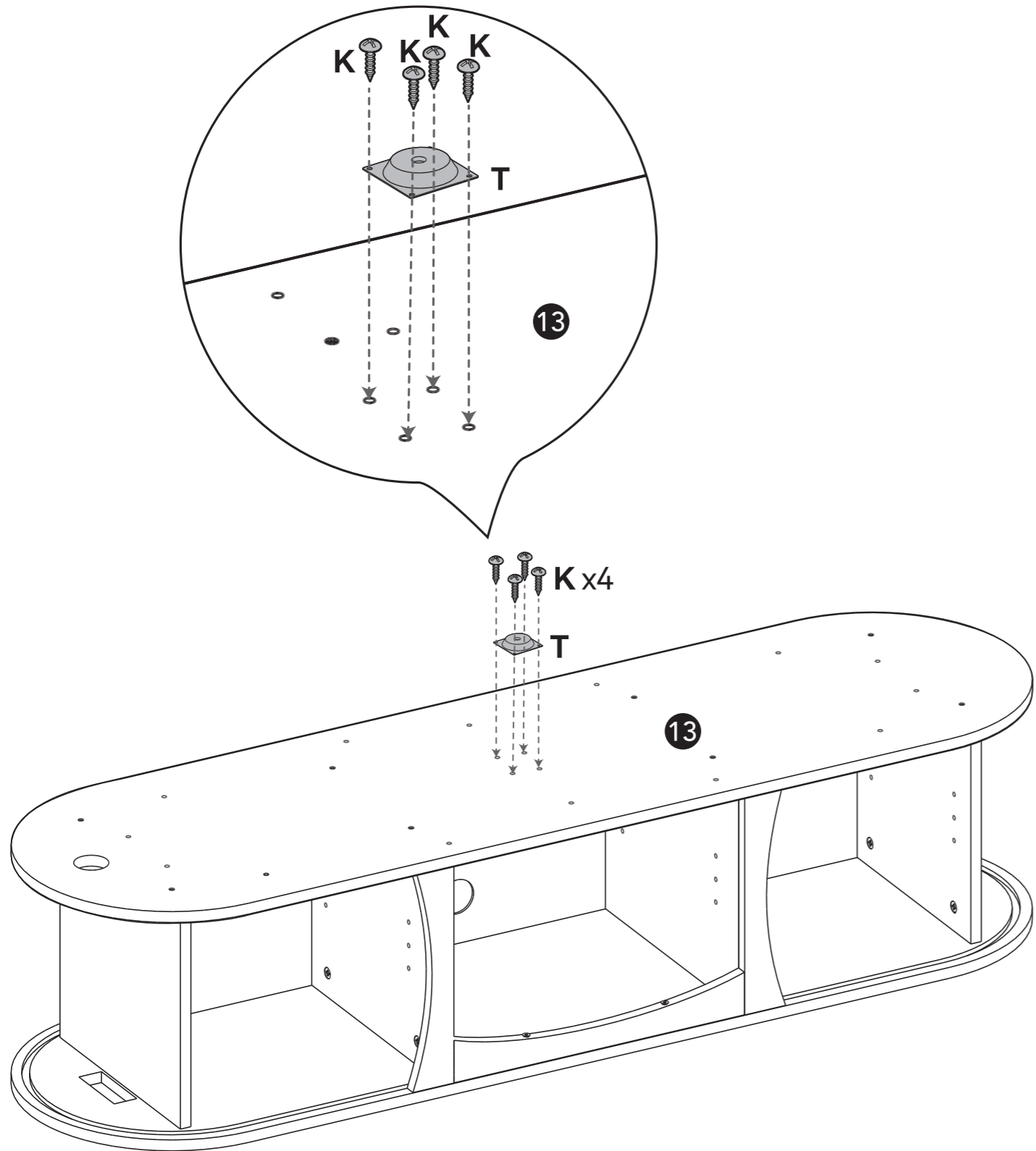
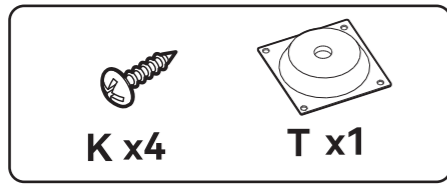
6



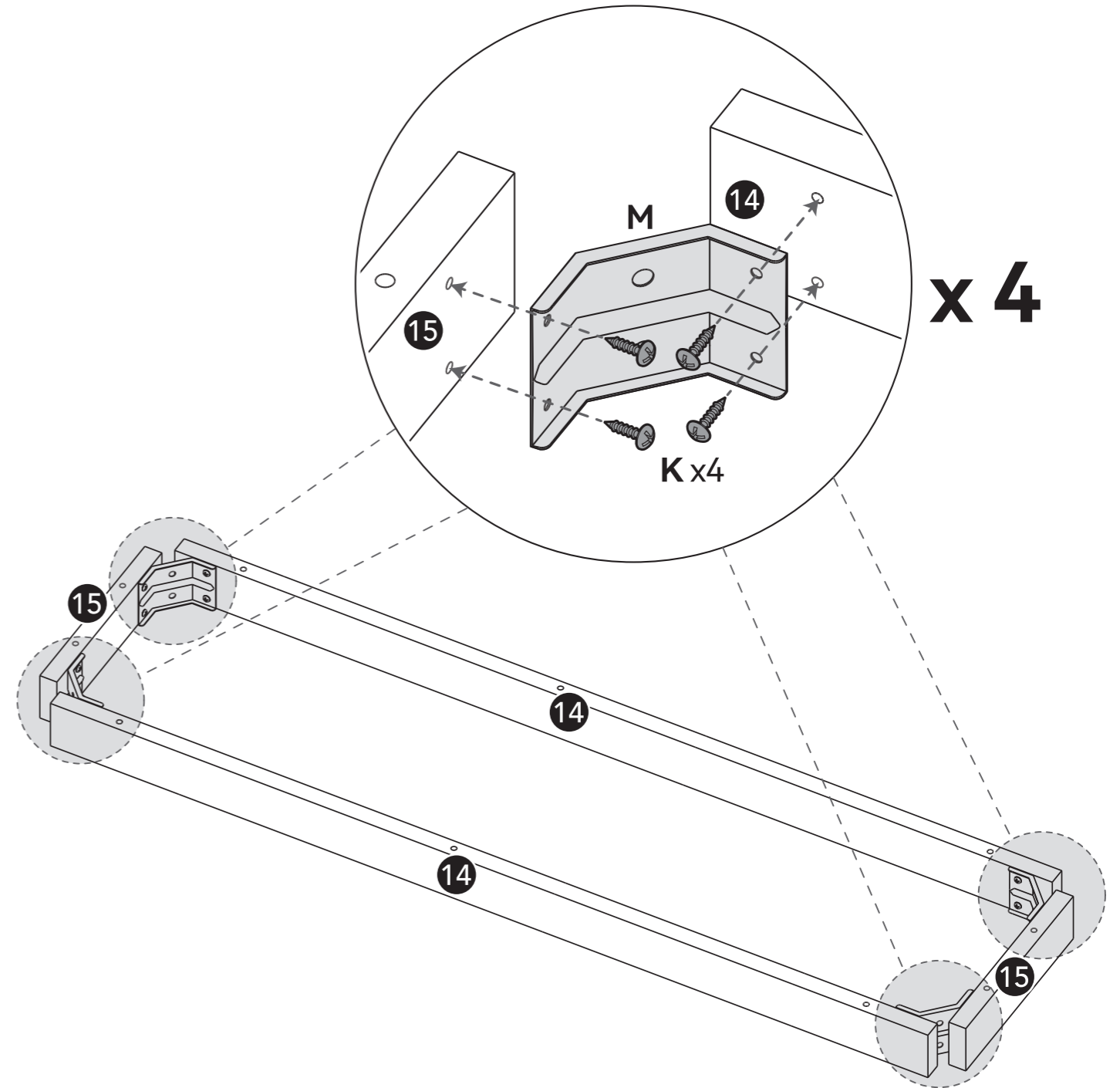
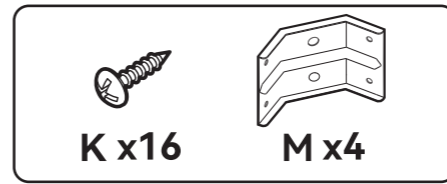
7



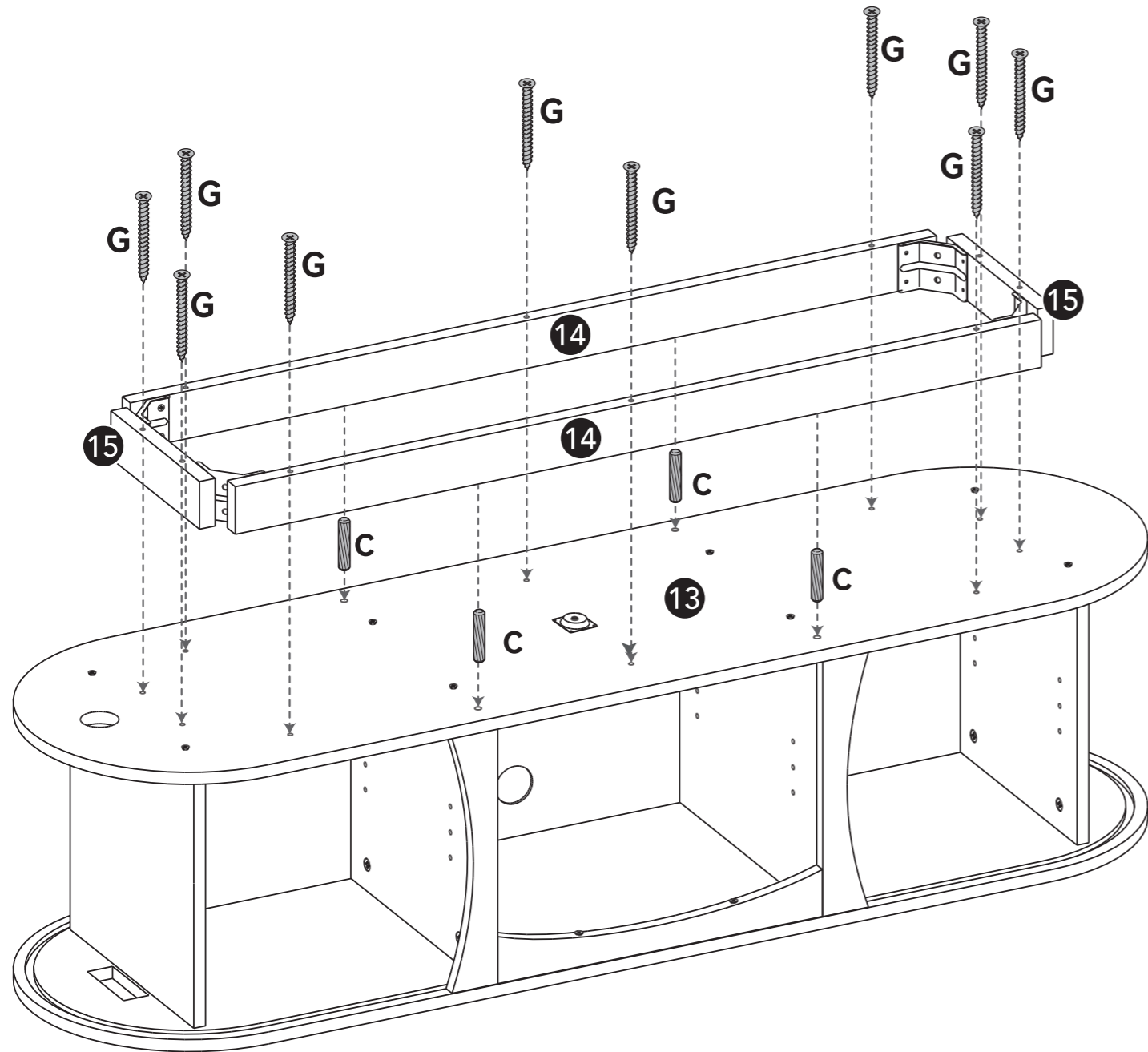
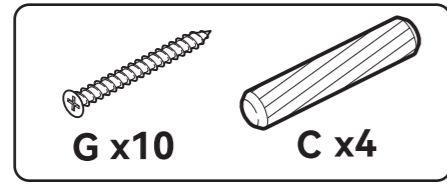
8



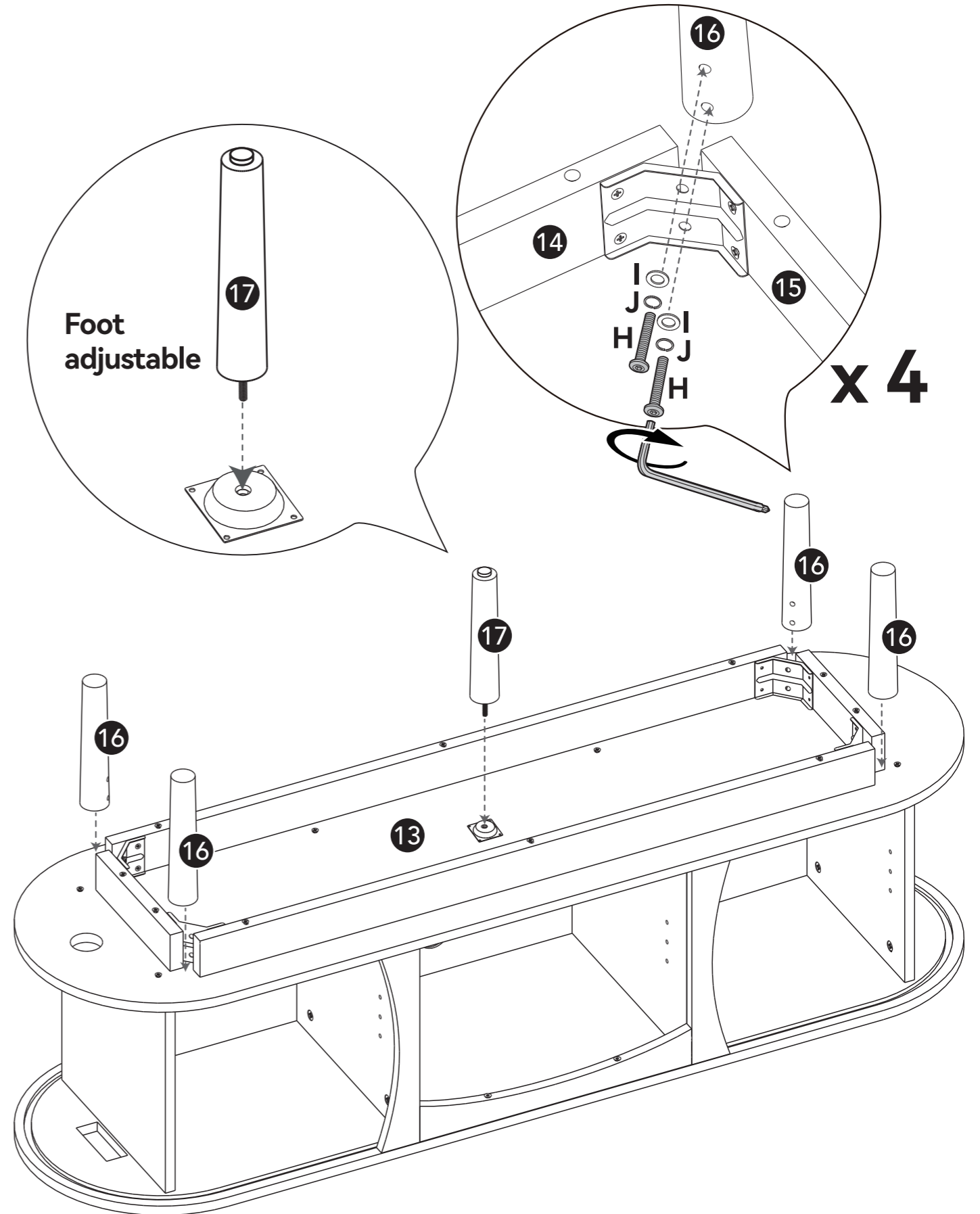
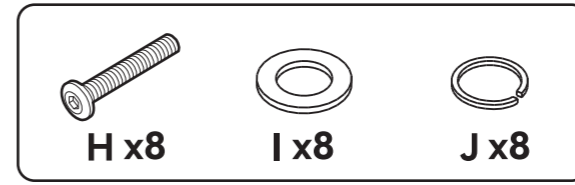
9



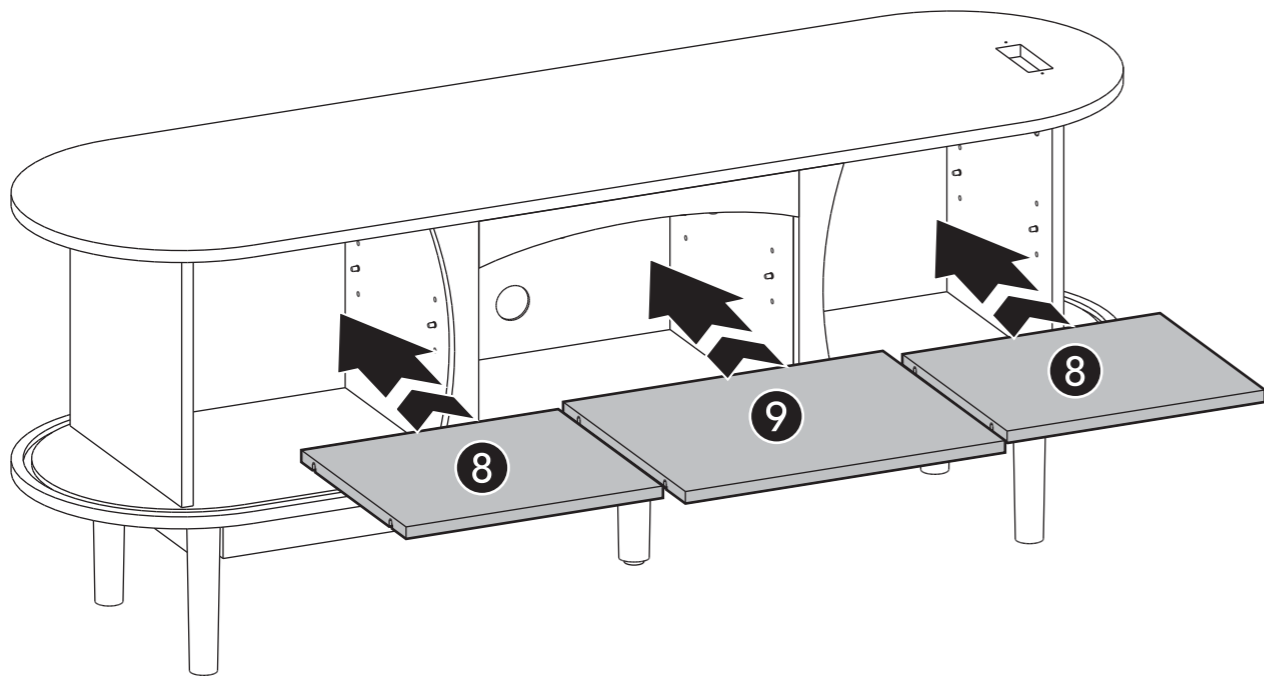
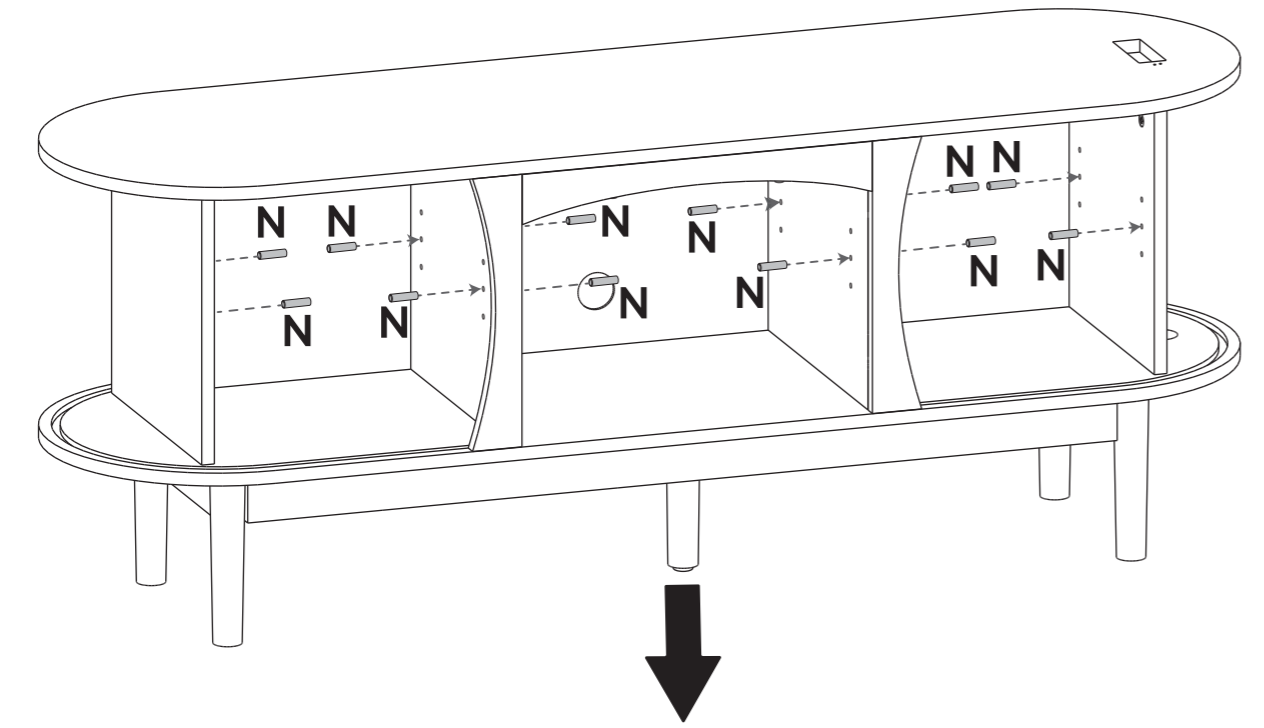
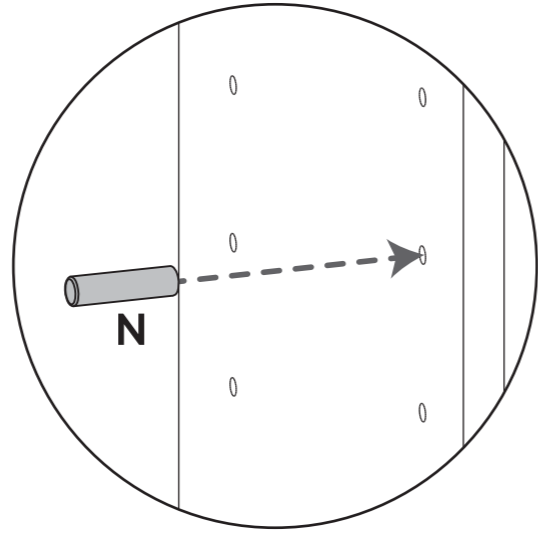
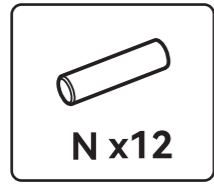
10



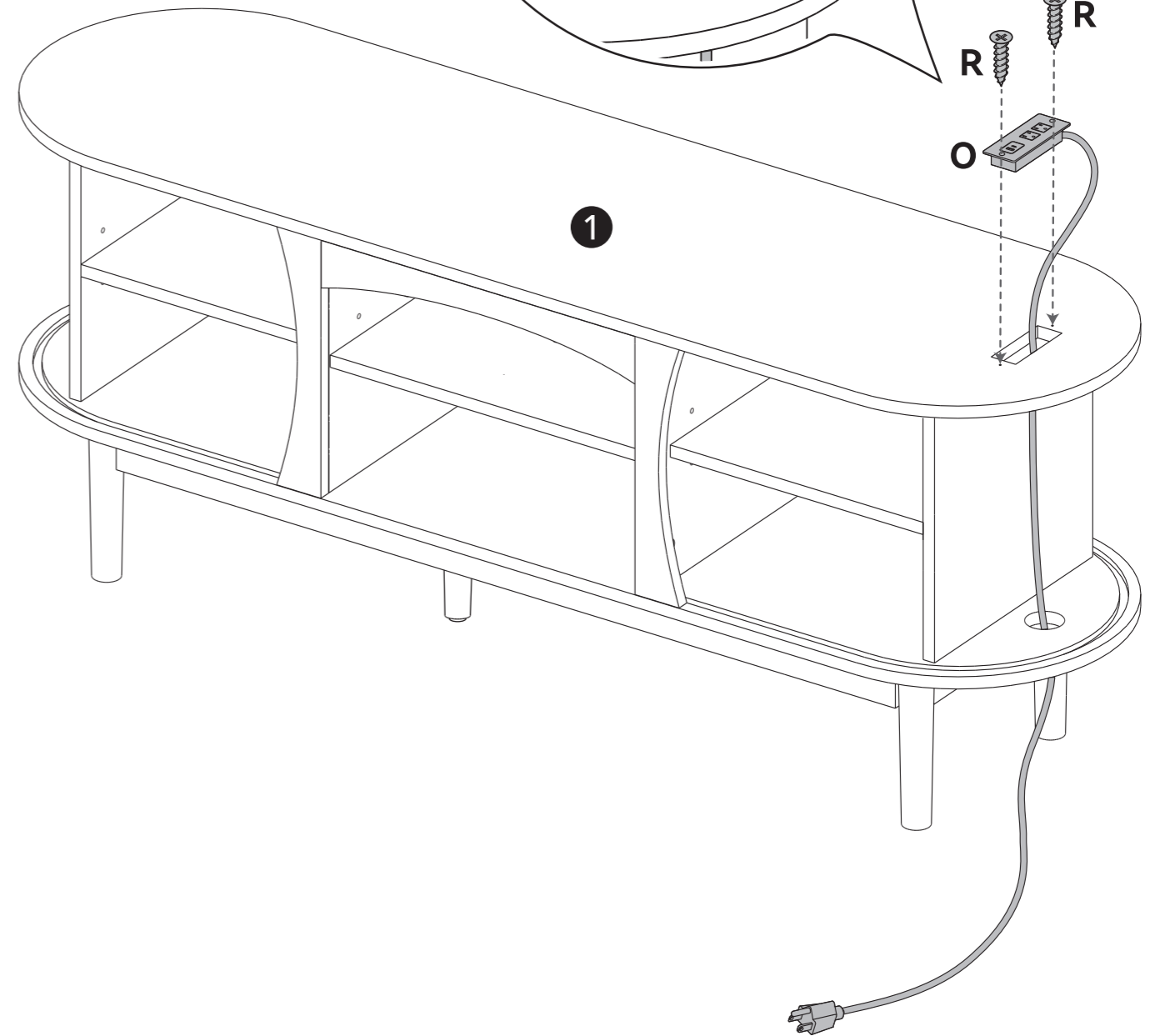
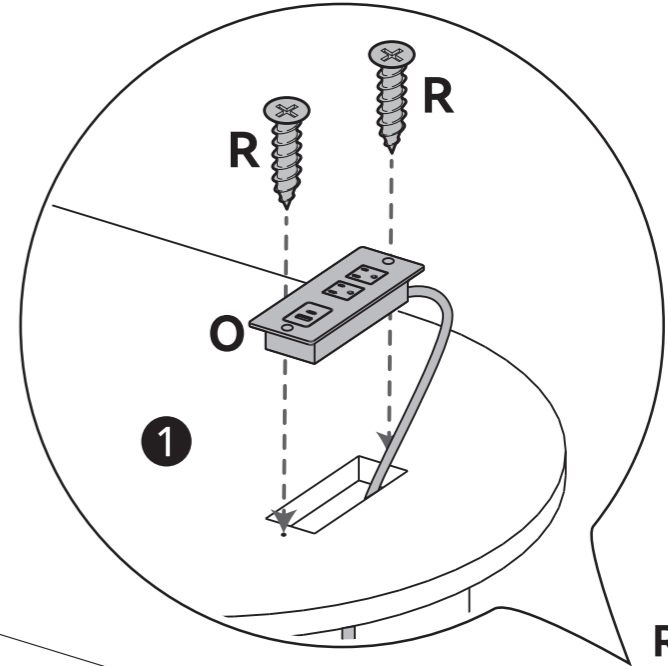
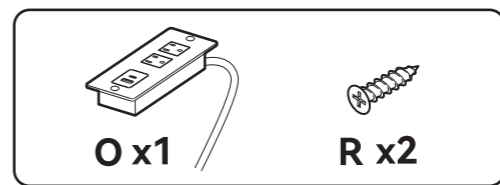
11



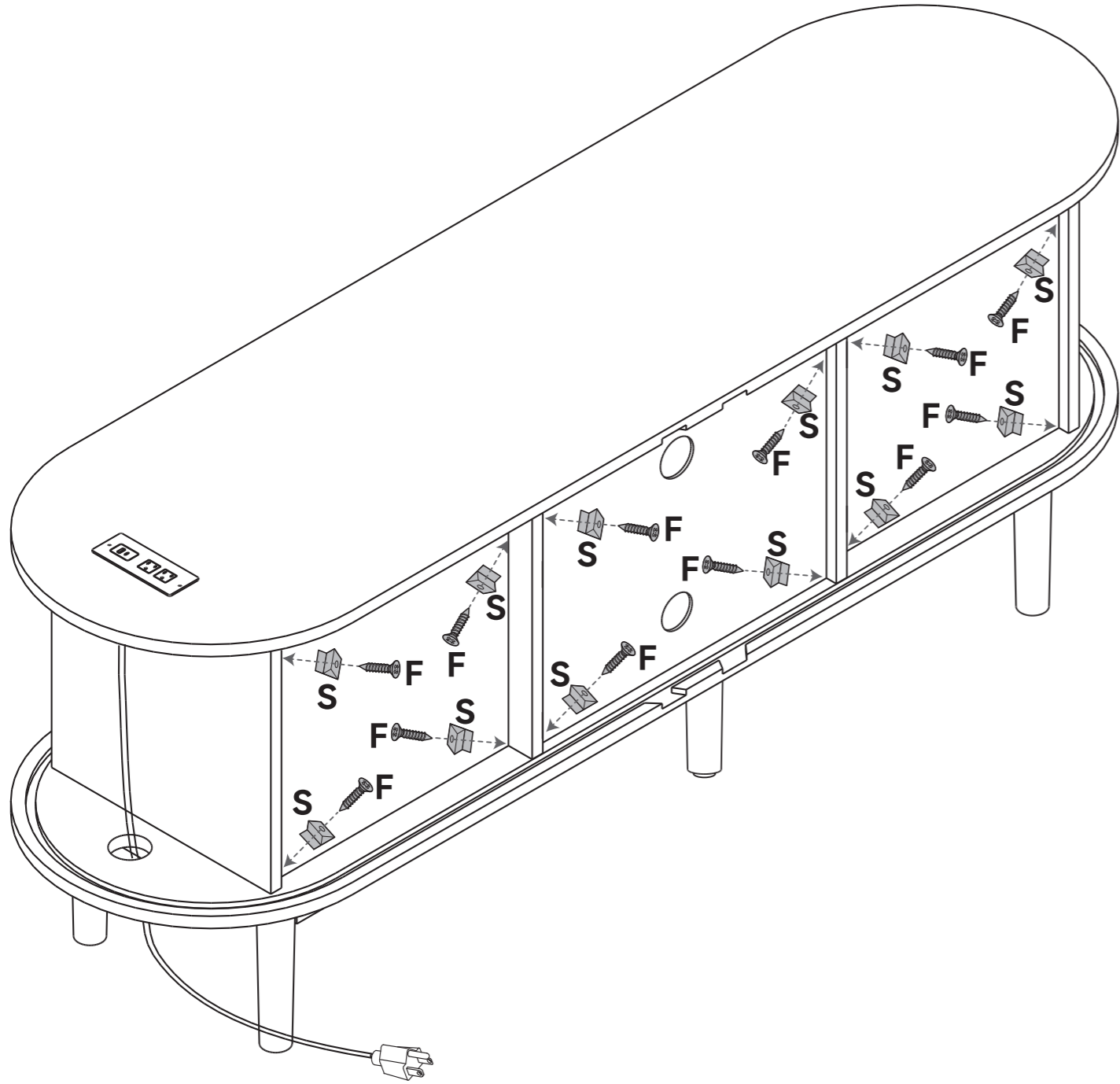
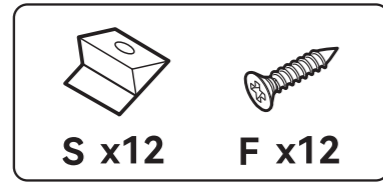
12



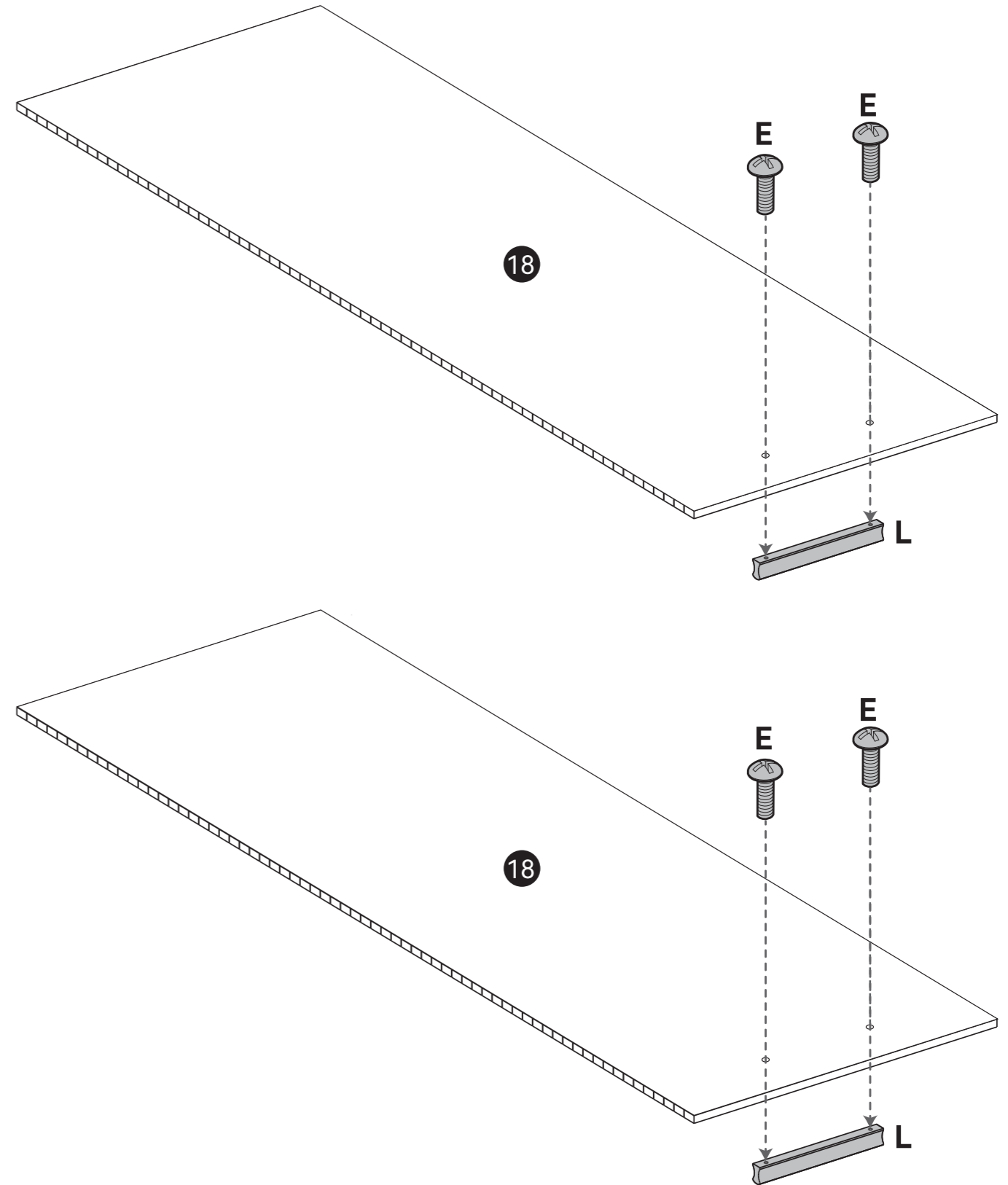
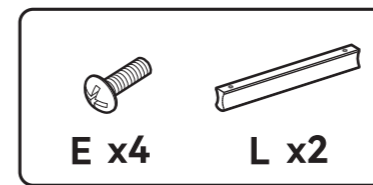
13



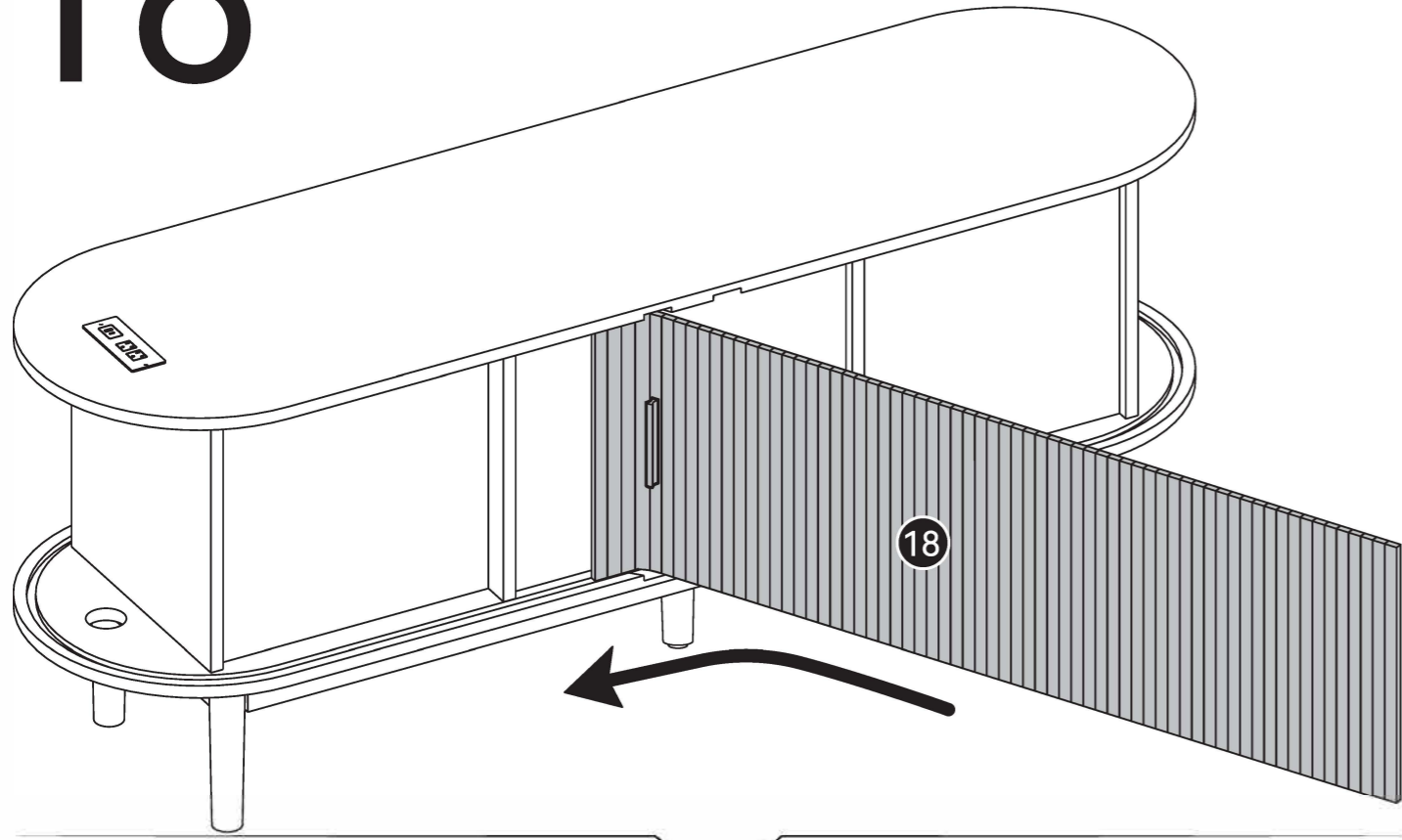
14



15



16



17

