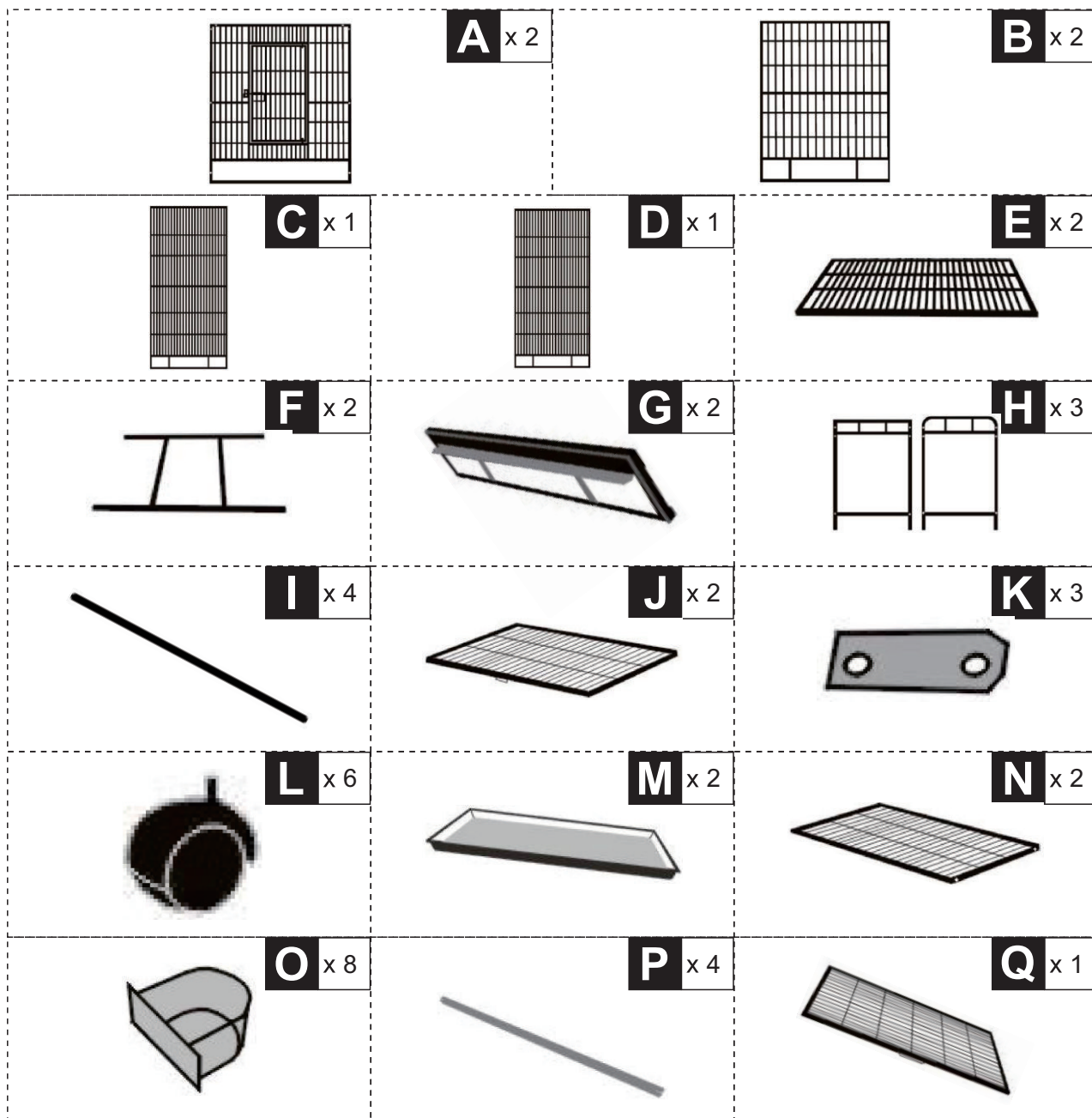




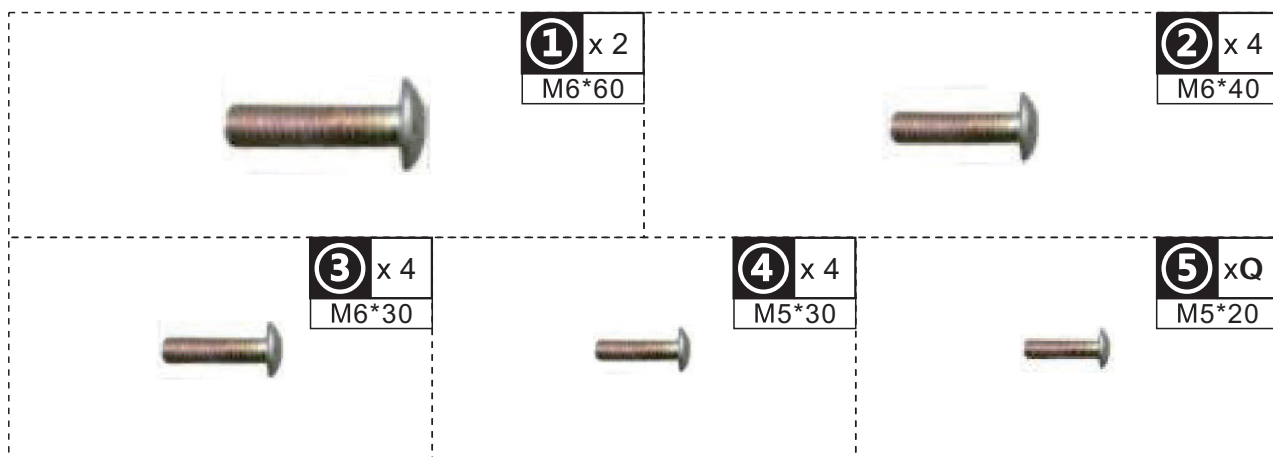
IMPORTANT, RETAIN FOR FUTURE REFERENCE: READ CAREFULLY

ASSEMBLY & INSTRUCTION MANUAL

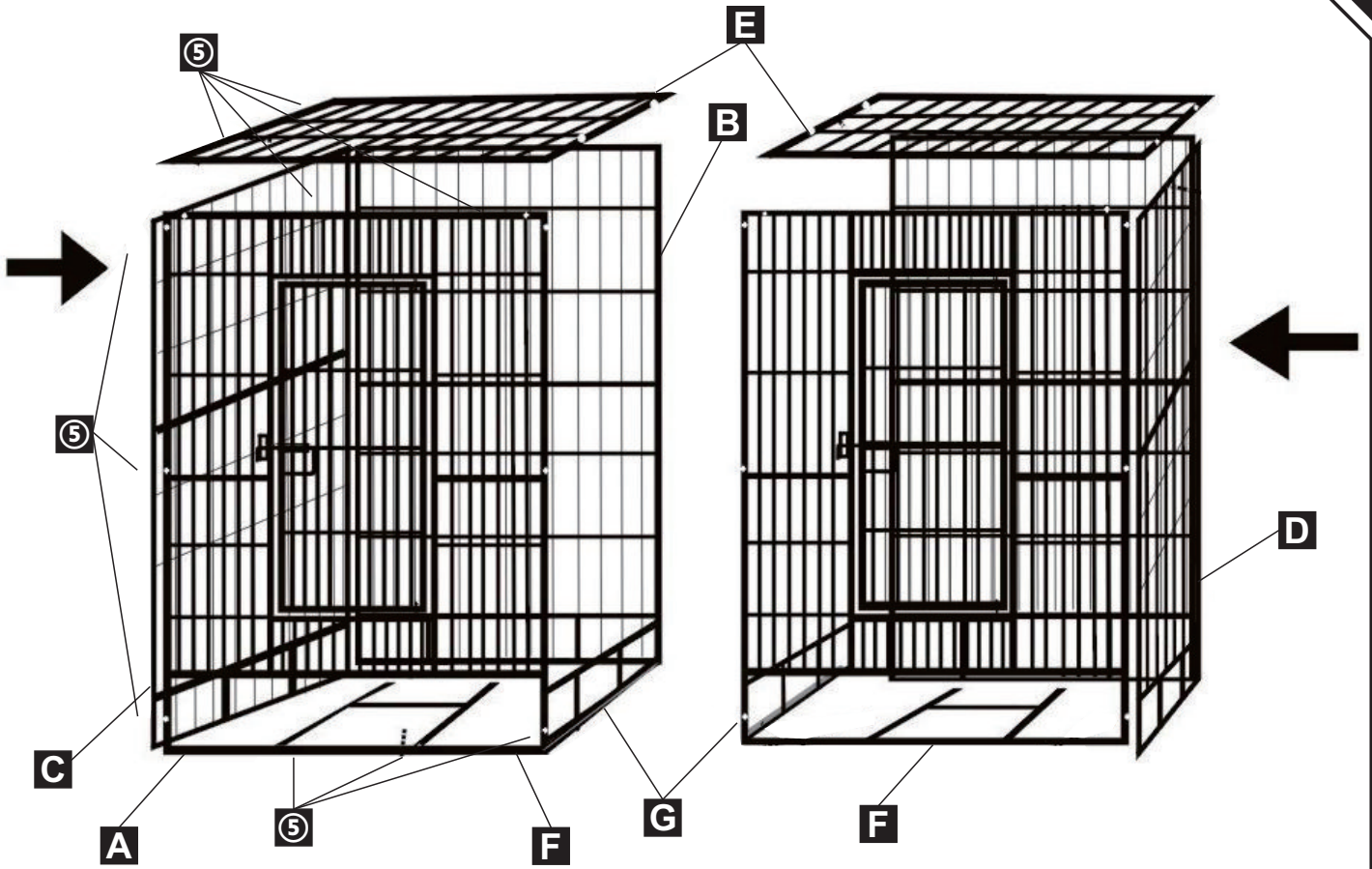
PARTS



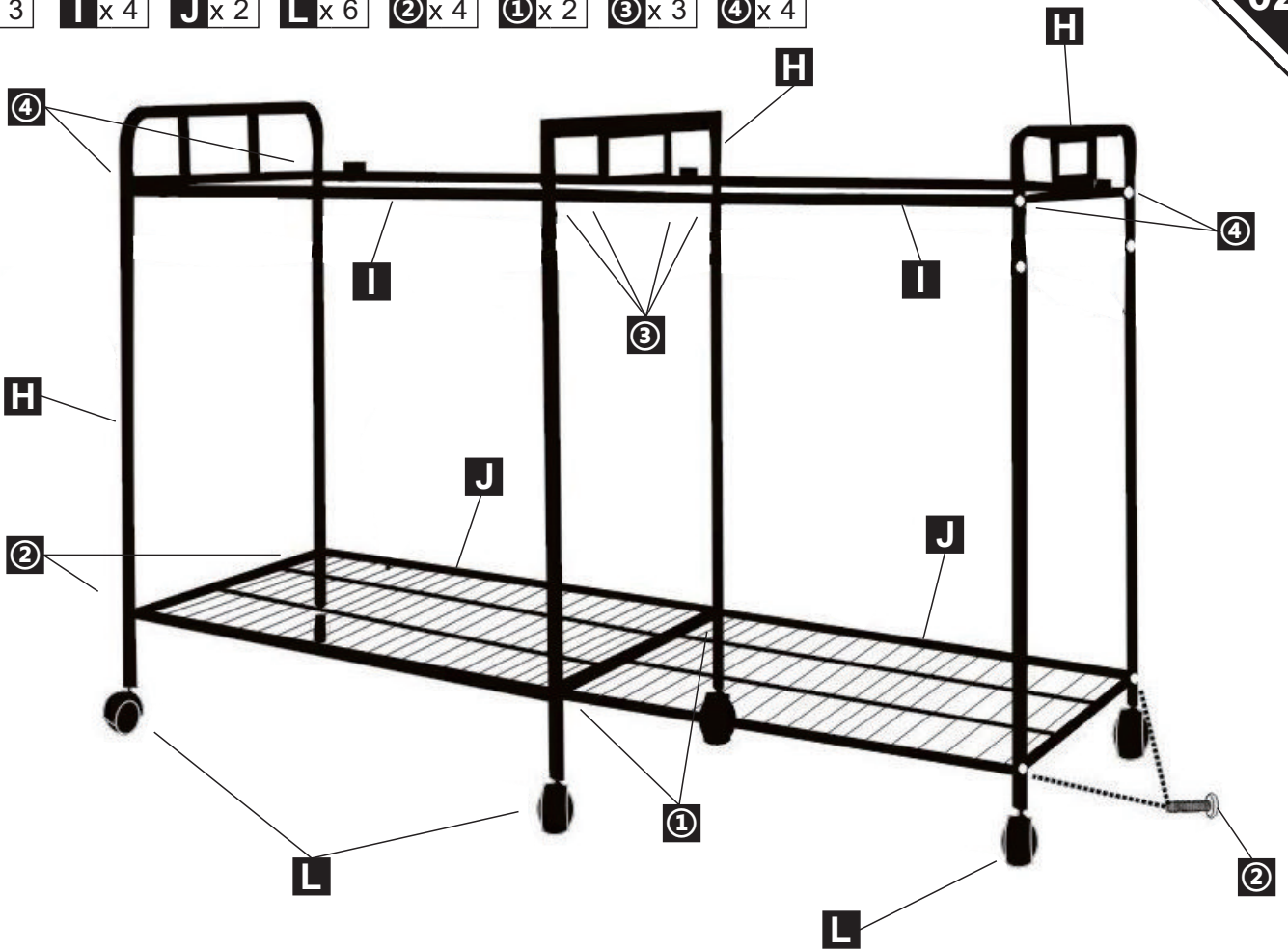
HARDWARE



A x 2 B x 2 C x 1 D x 1 E x 2 F x 2 G x 2 ⑤ x 36

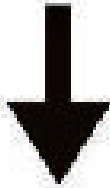
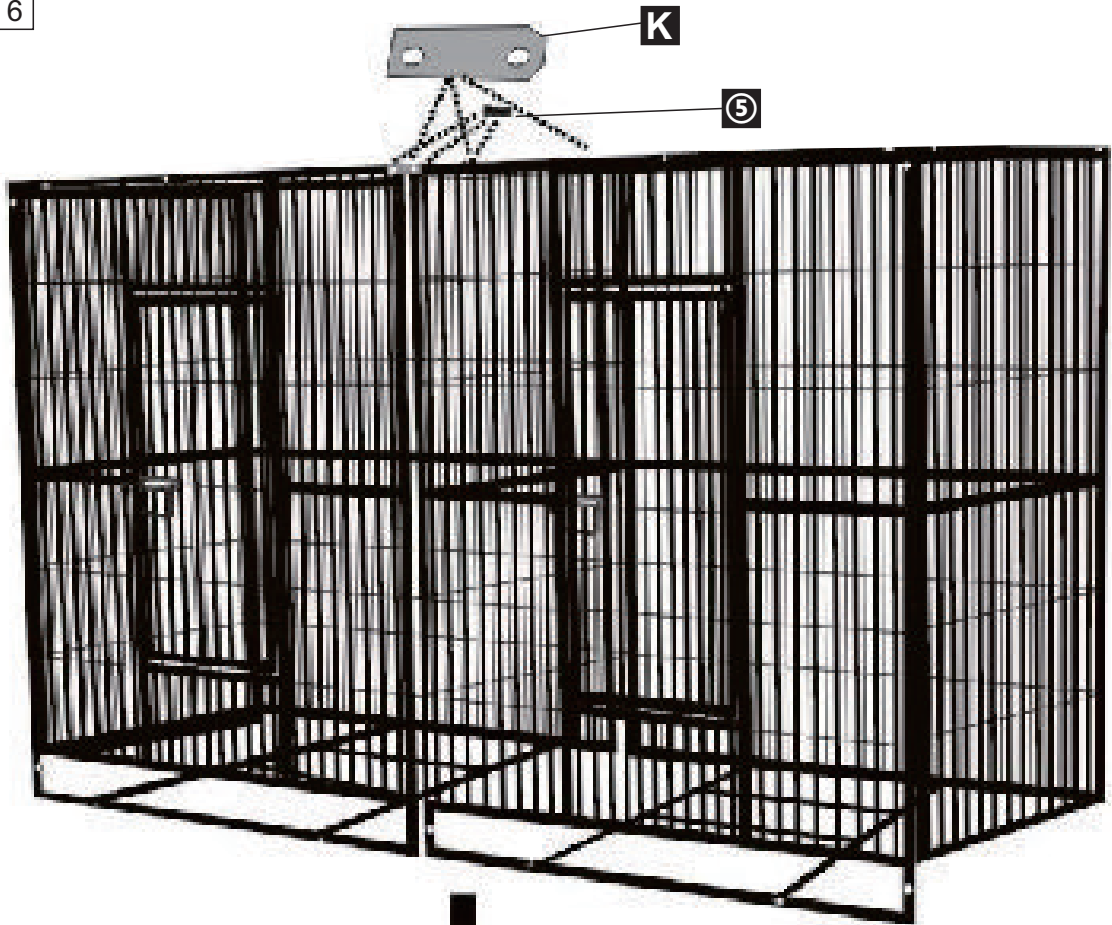


H x 3 I x 4 J x 2 L x 6 ② x 4 ① x 2 ③ x 3 ④ x 4



K x 3

⑤ x 6



02
STEP



Mx2 Nx2 Ox8 Px4 Qx1

