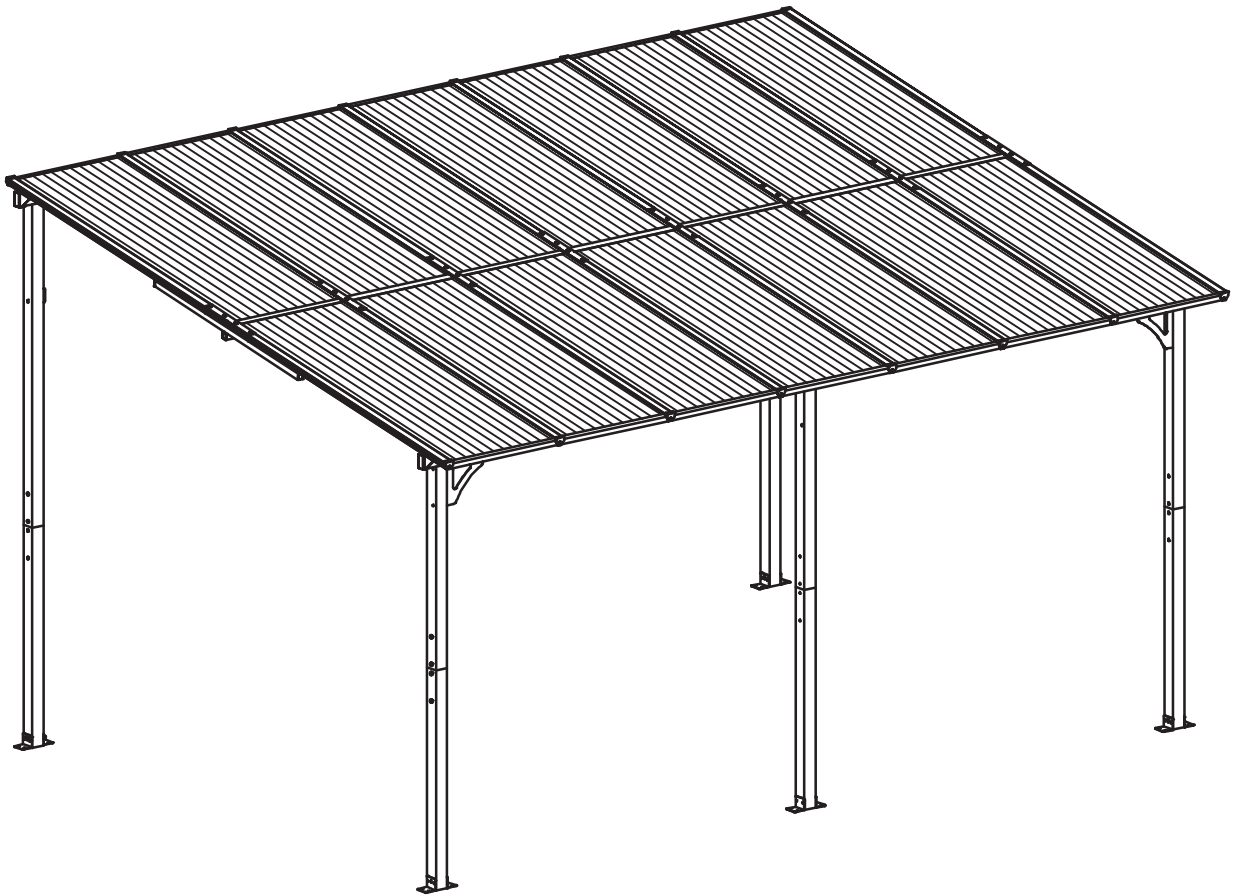


## 1014 Simple Pitched Sun Canopy

---

If you have any questions about the Simple Pitched Sun Canopy, please feel free to contact us.  
Customer Service Email: [Service@alaulm.com](mailto:Service@alaulm.com)



**SKU:P25104-D1**

**IMPORTANT**

**PLEASE READ BEFORE YOU COMMENCE ASSEMBLY**

Follow the guidelines in this user guide to ensure correct  
assembly and care for this product.

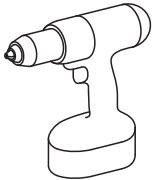
## Catalog

Notice .....	2
Specifications .....	4
Part List .....	5
Screw Set .....	5
Installation Steps .....	6

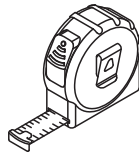
## NOTICE



**Note:**Please prepare below tools before installation.



Pistol Drill



Tape Measure



Ladder



Screw Driver



Gloves

### Warning

We recommend two adults to complete the installation. Two adults installed together will make the installation process easier and safer.

The gloves must be carried to prevent hand cuts during installation.

Take care when using power tools near water the use of a residual current device (RCD) is advised.

Please use the electric driver carefully during screwing to prevent the screw from slipping and hurting your hand.(We recommend that beginners use a manual screwdriver for installation.)

Be careful not to fall when installing the roof. Please steady the ladder and make sure the product placed on a flat ground.

**PLEASE KEEP THIS INSTRUCTION FOR FUTURE REFERENCE.**

## PLEASE RETAIN THESE INSTRUCTIONS FOR FUTURE REFERENCE.

Dear Customer,

Thank you for shopping with us!

This product consists of two boxes.

When you receive the product, please make sure that all the parts are intact.

Then please browse the entire installation manual before assembling.

If any problem occurs unsatisfactorily as follows :

A.The outer box is damaged

B.The product is damaged / bent / cracked while you open the box

C.The parts / accessories / assembly tools are missing

D.The product is hard to assemble

E. The instructions are not clear and can not be referred

F.The product has functional problems

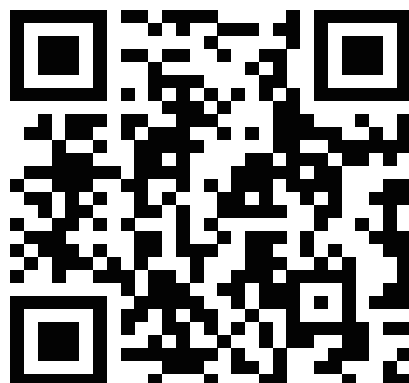
G.Other aspects that you are not satisfied with

H.Product stability has been tested: the product can withstand winds of approximately 40-60mph and a static pressure test of 6.5 lbs per square foot after correct installation and fixation(Snow accumulation of about 7 inches in thickness will not pose a threat to the product.)

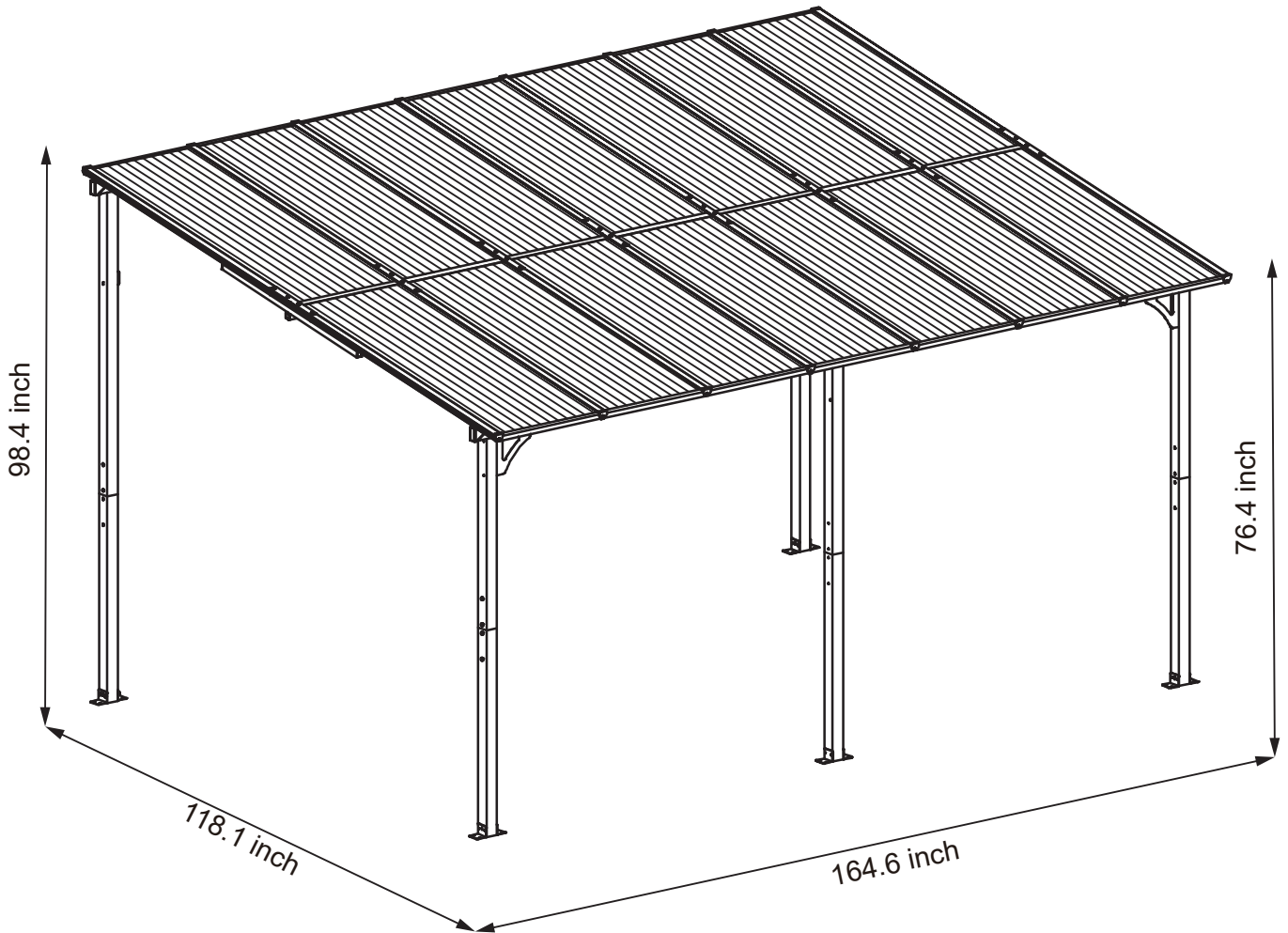
Please feel free to contact us for help. Our after-sales team service

(**Service@alaulm.com**) will reply within 24 hours

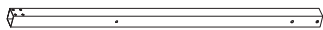
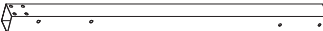
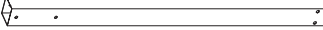





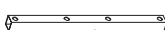

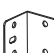


and will do our best to resolve the problem for you.


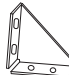




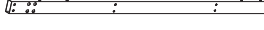

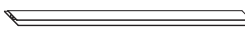




# SPECIFICATIONS





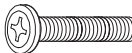




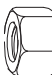




# PART LIST

NO.	PART.	Qty.
<b>Box A</b>		
A		2
B		3
C		5
D1		2
F		14
H		8
I		2
I1		1
J		2
L		5
M		12
N		4
O		2

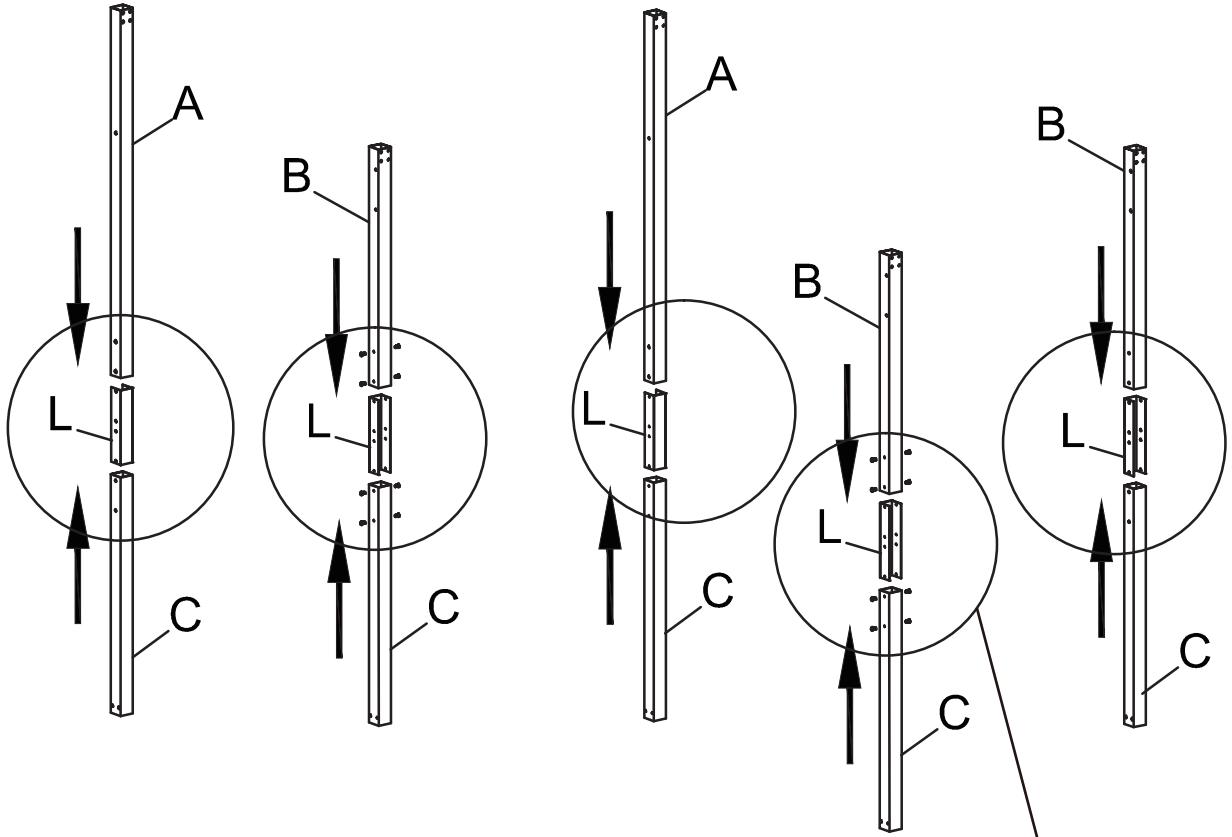
NO.	PART.	Qty.
P		2
Q		16
R		16
S		8
Z4		1
E1		3
<b>Box B</b>		
D		4
E1		13
G		7
K1		14
T		8

# SCREW SET

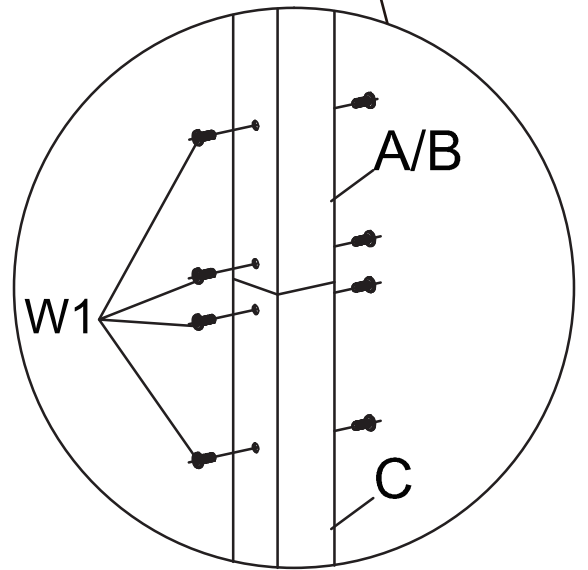
NO.	PART.	Qty.
U	 Beam Plug	4
V	 Hold Plug	18
W1	 Bolt M6*15	179
W2	 Bolt M6*70	10
W4	 Bolt M6*35	24
W5	 Bolt M6*50	32

NO.	PART.	Qty.
X1	 Beam Plug	10
X2	 Hold Plug	32
Y	 Bolt M6*15	20
Z	 Allen Wrench	1
Z1	 Waterproof Washer	42
Z5	 Expansion Bolts	6

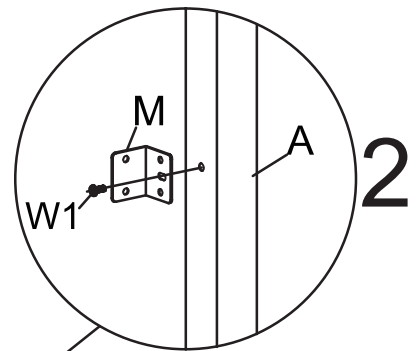
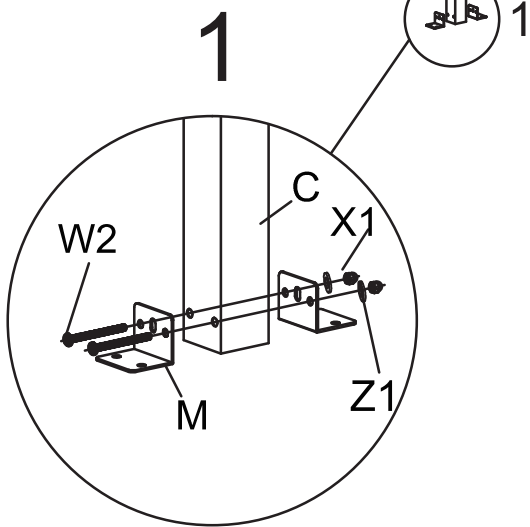
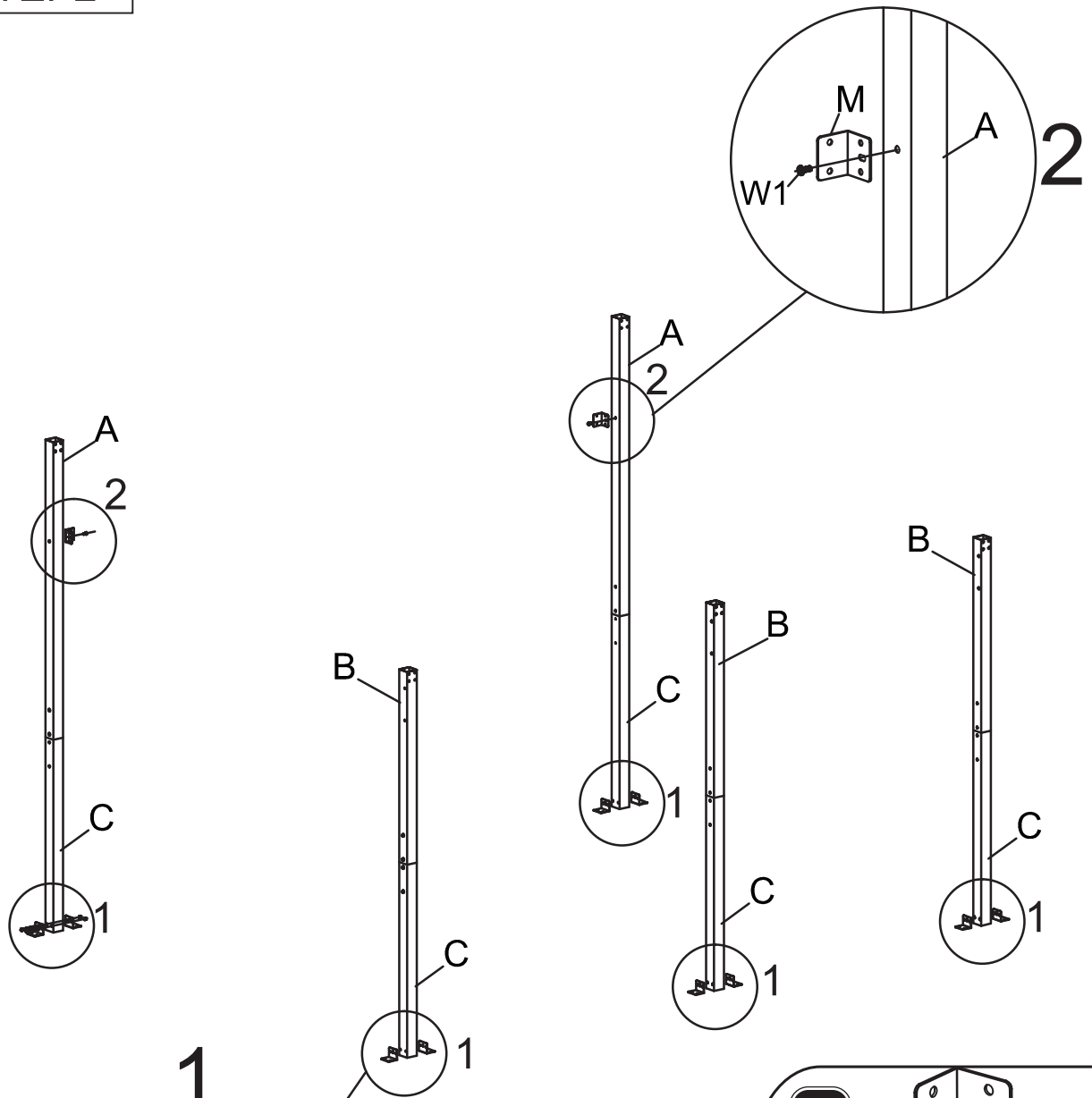
STEP 1

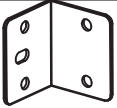






<b>A</b>		X2
<b>B</b>		X3
<b>C</b>		X5
<b>L</b>		X5
<b>W1</b>		X40

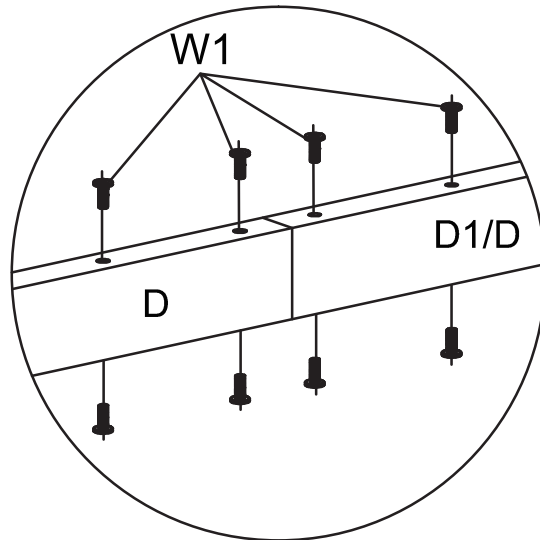
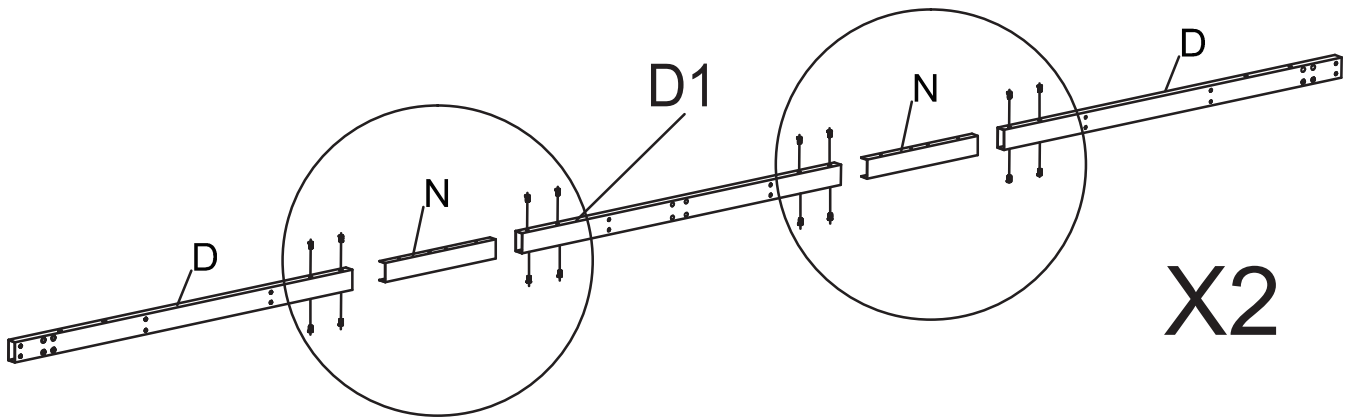






STEP 2



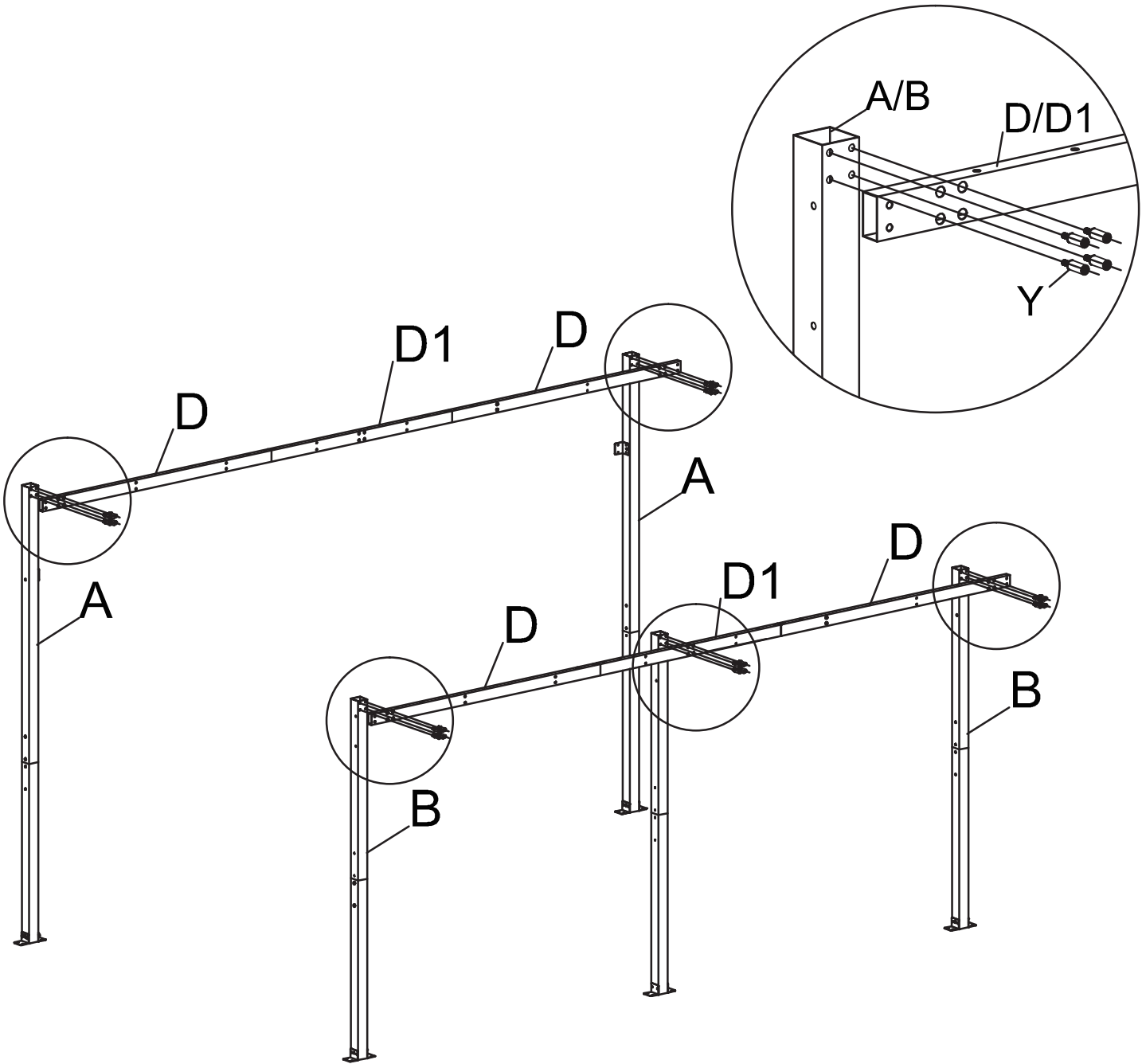
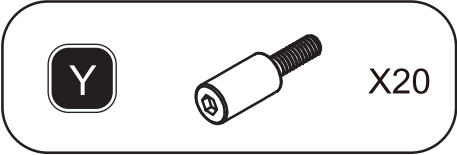
M		X12
W2		X10
W1		X2
X1		X10
Z1		X10

STEP 3







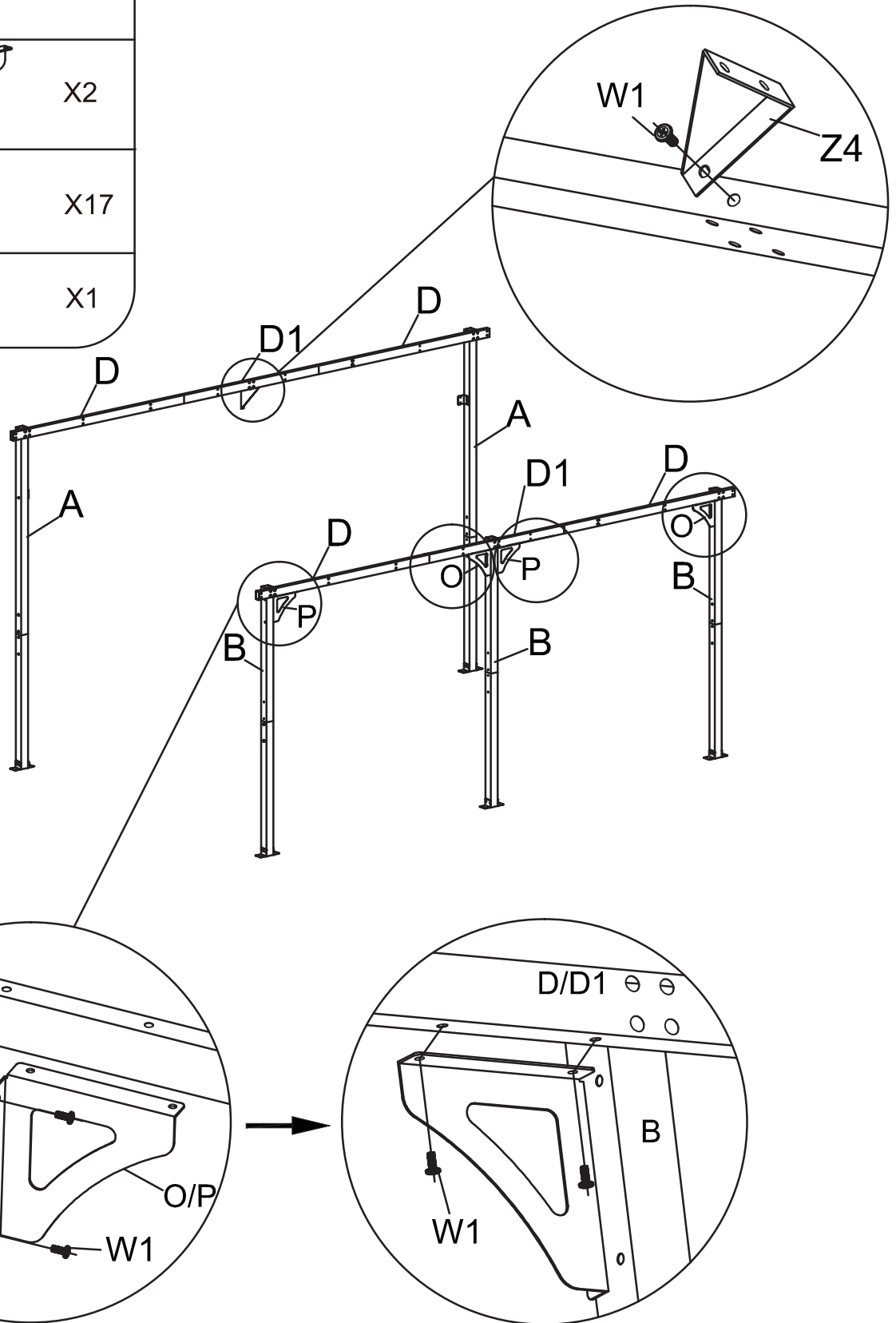
<b>D</b>		X4
<b>N</b>		X4
<b>W1</b>		X32
<b>D1</b>		X2

STEP 4



## STEP 5

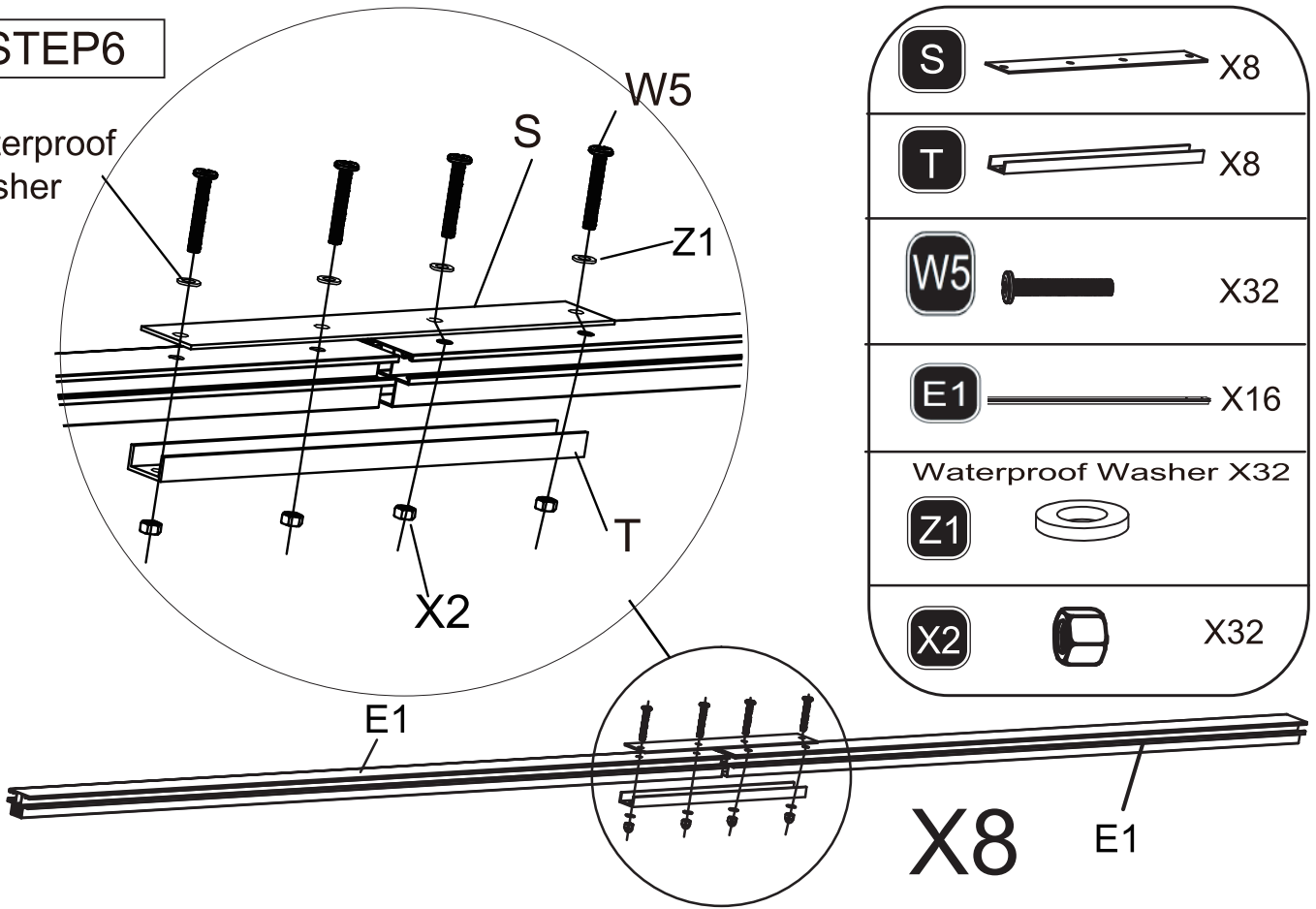
<b>O</b>		X2
<b>P</b>		X2
<b>W1</b>		X17
<b>Z4</b>		X1



# INSTALLATION STEPS

## STEP 6

Waterproof Washer




**S**  X8

**T**  X8

**W5**  X32

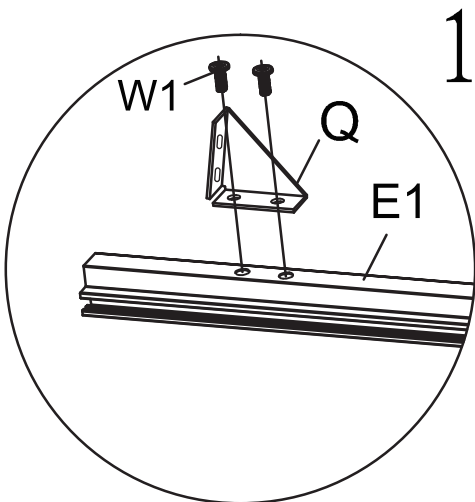
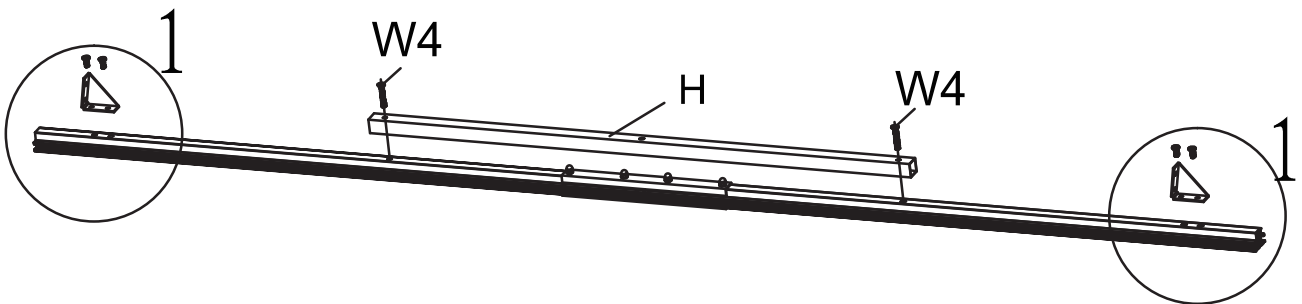
**E1**  X16

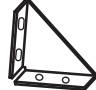
Waterproof Washer X32


**Z1** 

**X2**  X32

## STEP 7



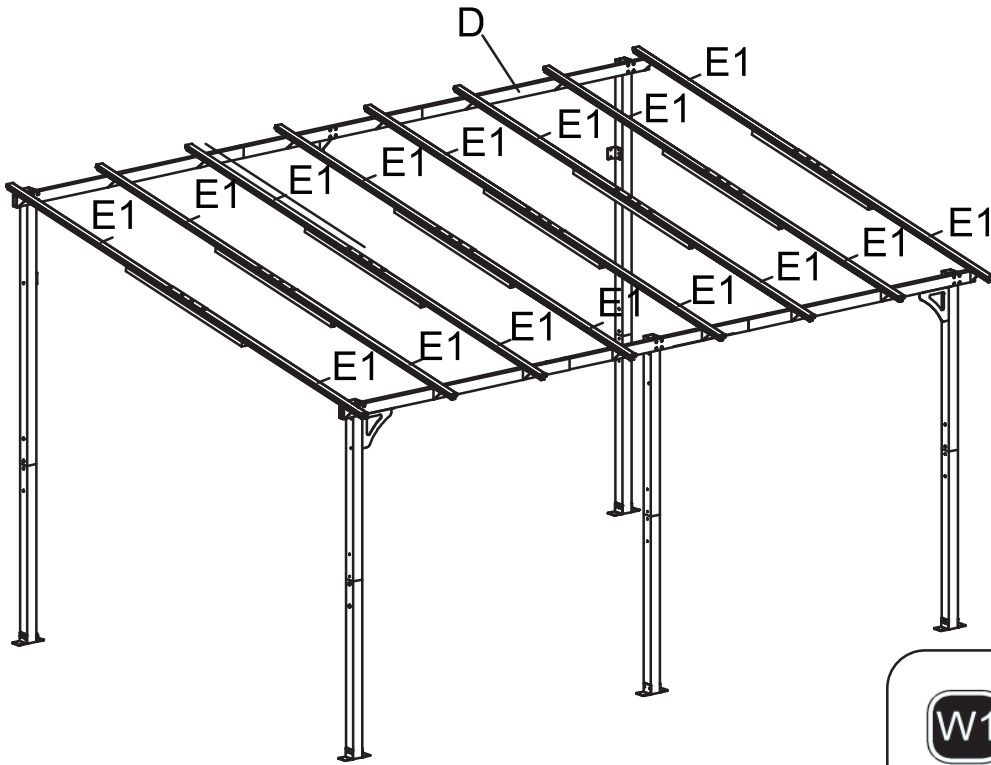
**Q**  X16

**W4**  X16

**W1**  X32

**H**  X8

STEP8

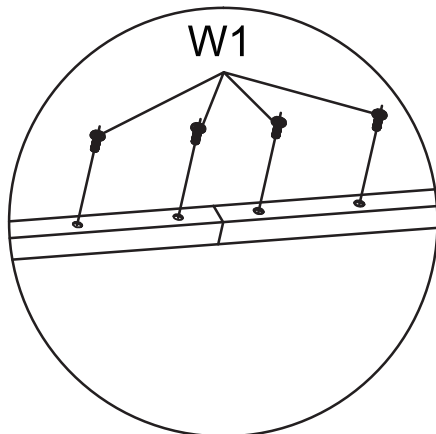
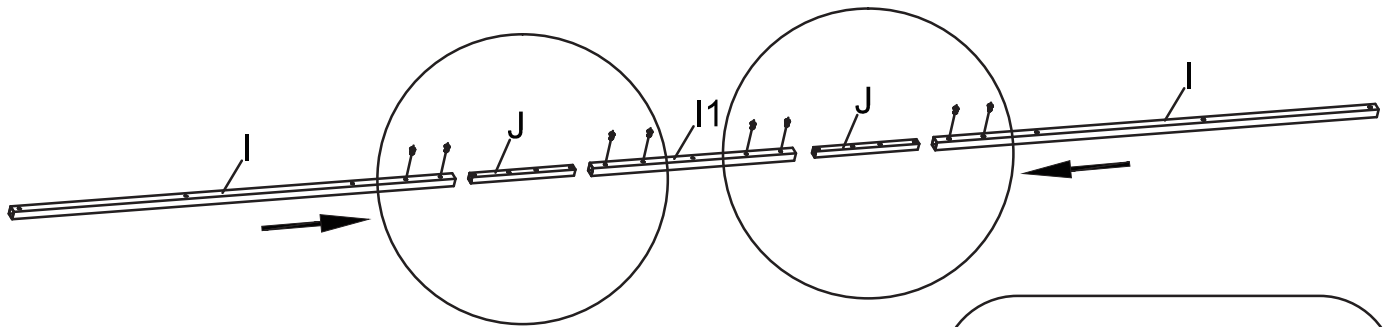


**TIPS:**Part Q is used by slotted holes that please use the same sides of both holes to make top side of Q higher than Part D . Slotted holes will support the cover board more strongly.



X32

STEP9



X1



X2



X8



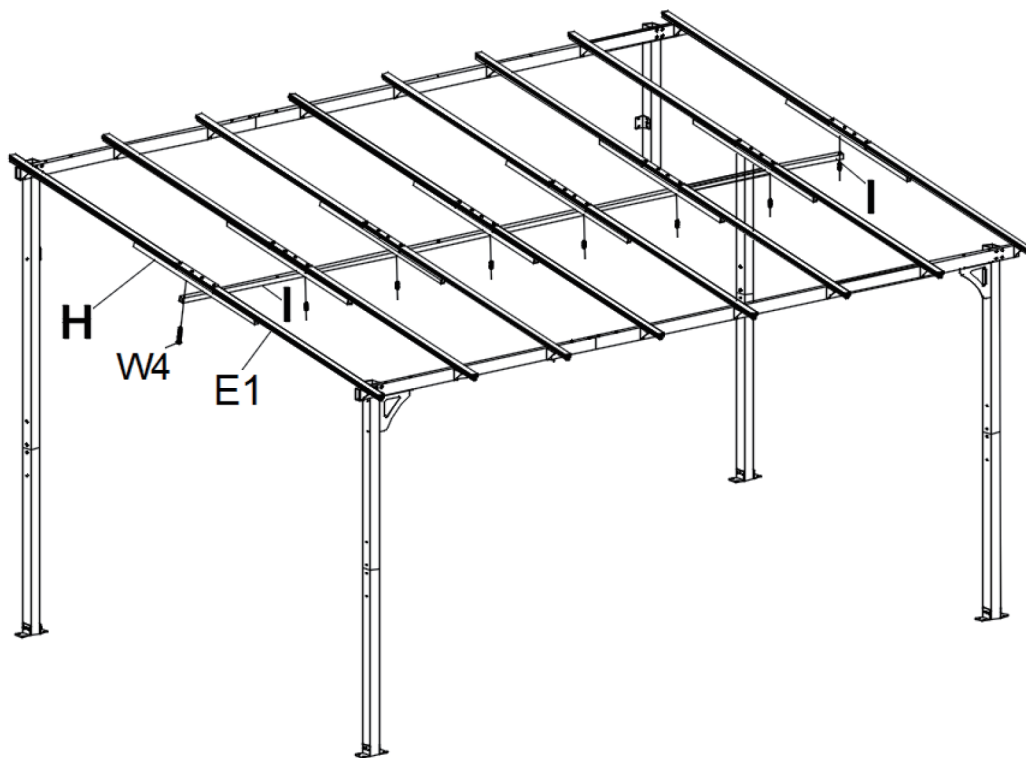
X2

## STEP 10

W4



X8

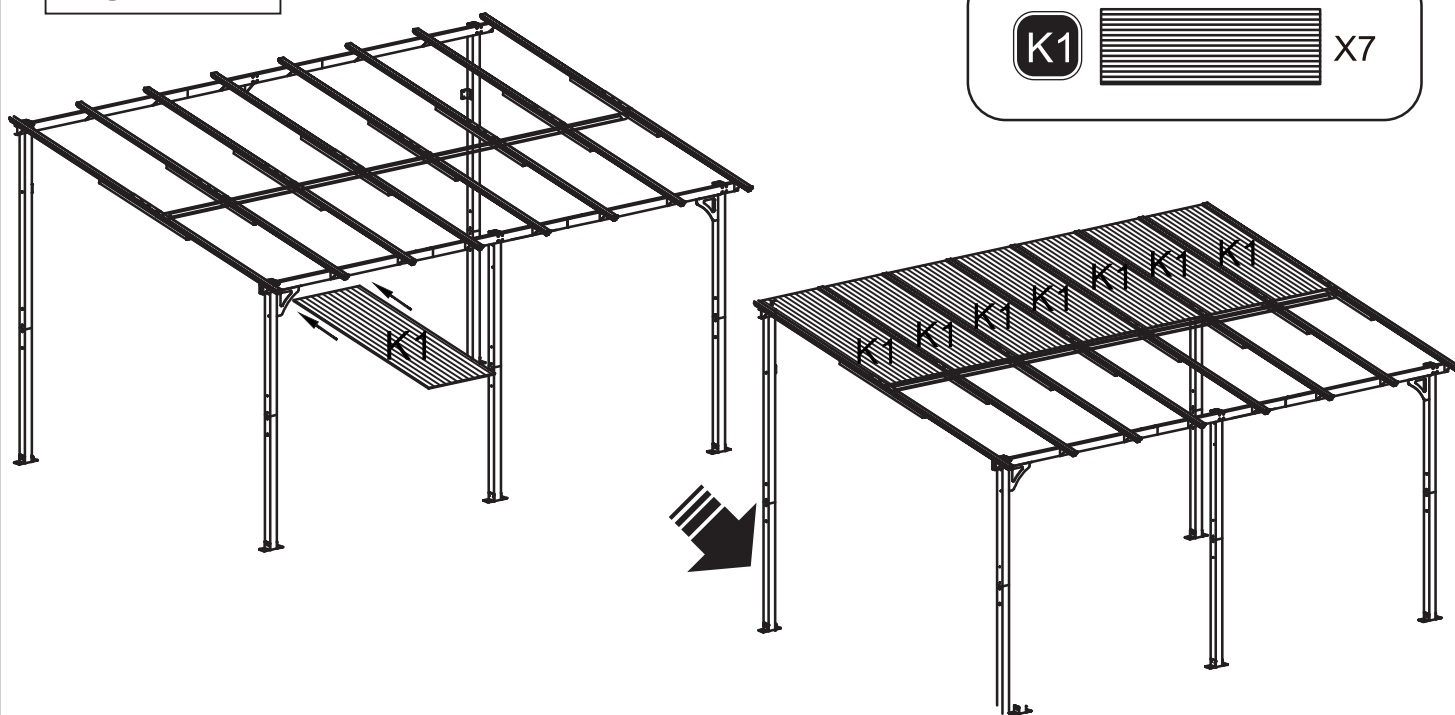


## STEP 11




K1

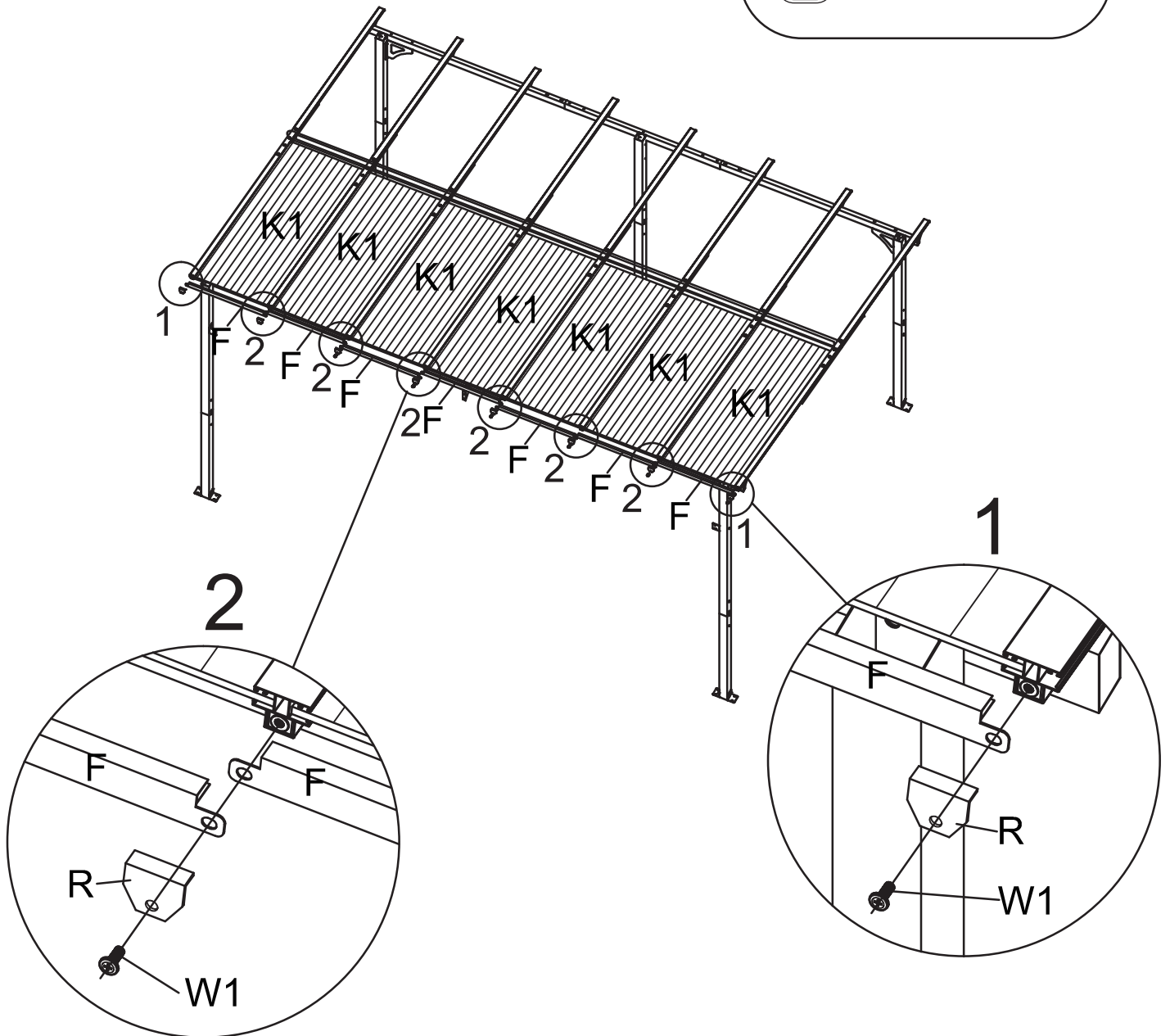


X7

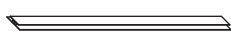


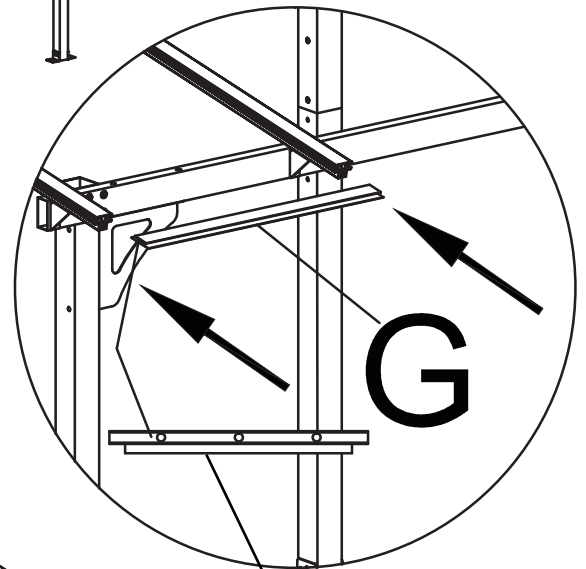
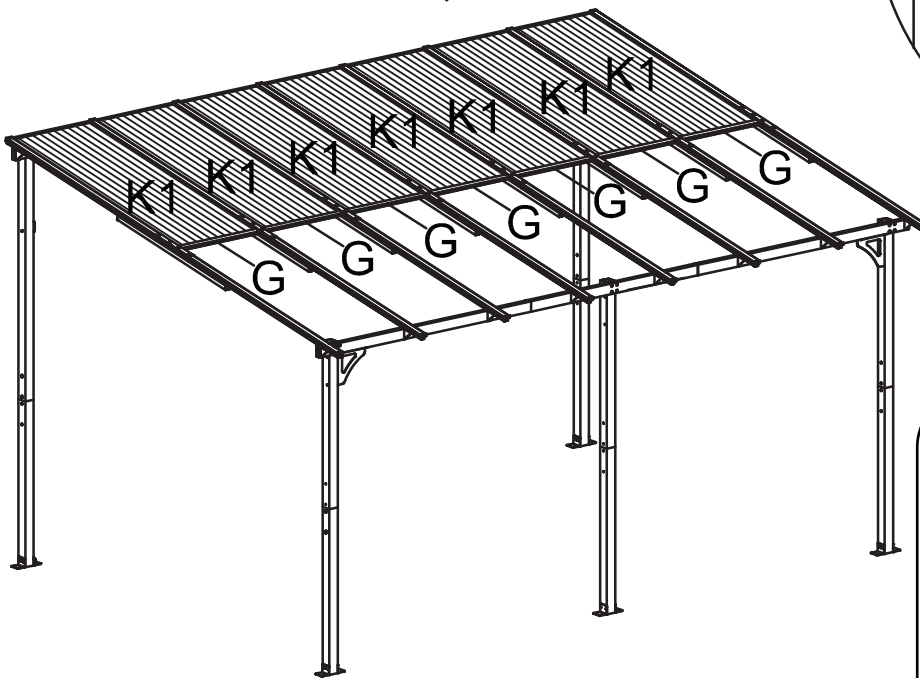
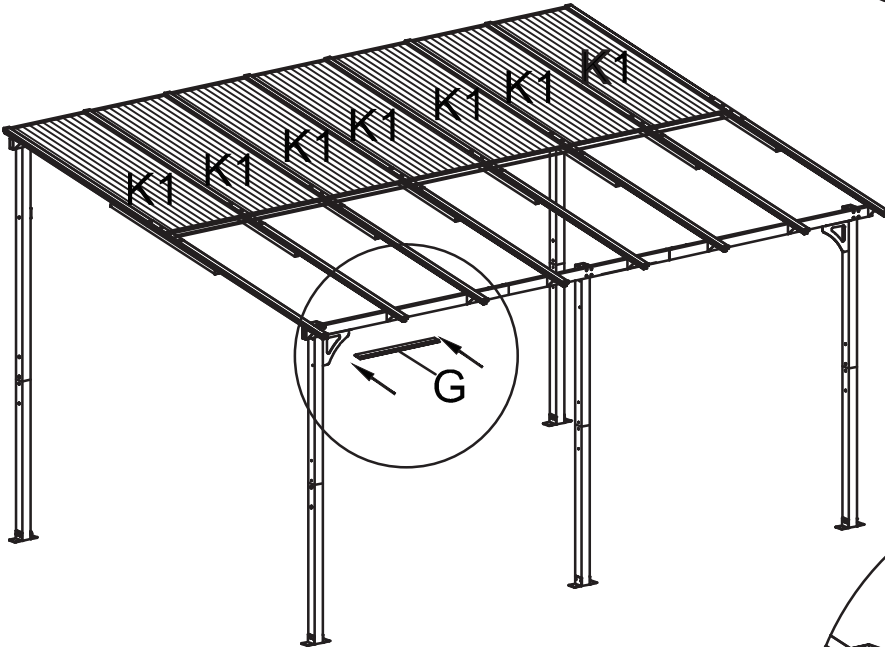
STEP 12

R		X8
W1		X8
F		X7




## STEP 13

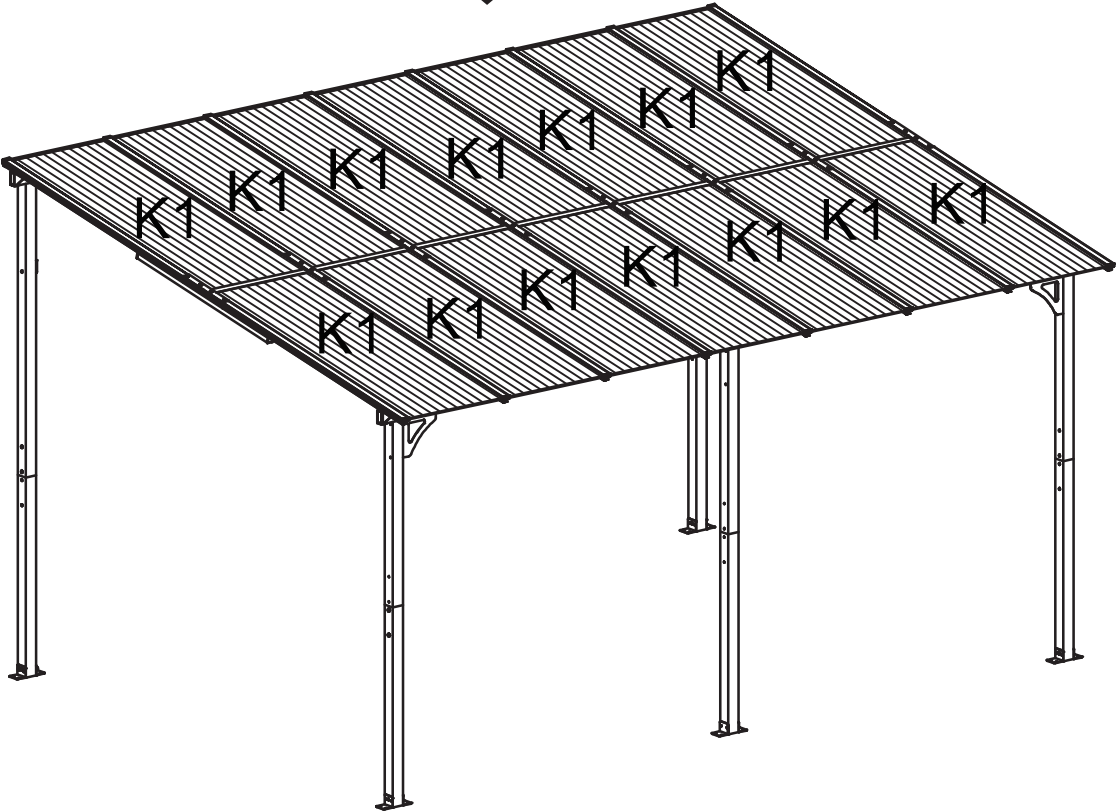
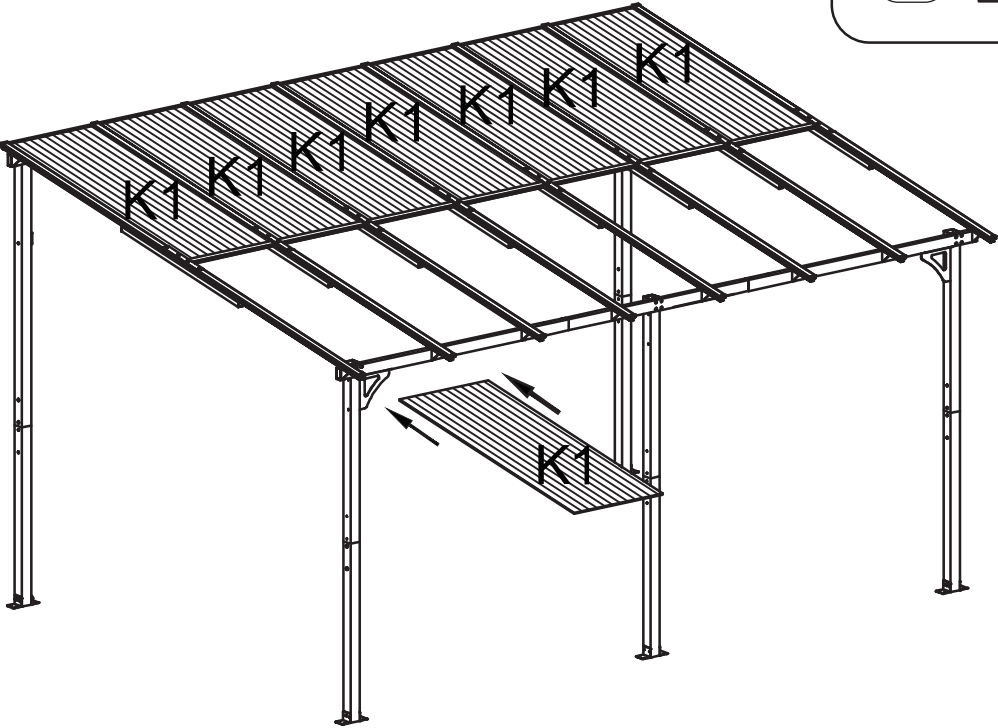
**G**  X7






**Note:** One side of the 'G' has drainage holes. Make sure to install it with the side containing the drainage holes facing upwards (the higher side) to prevent water leakage.

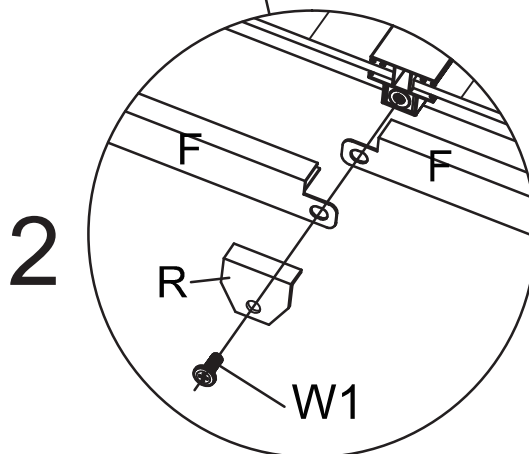
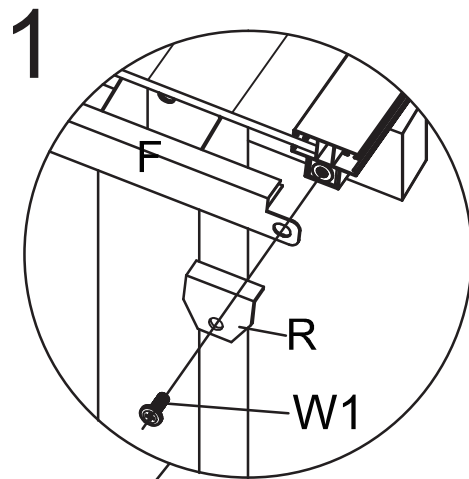
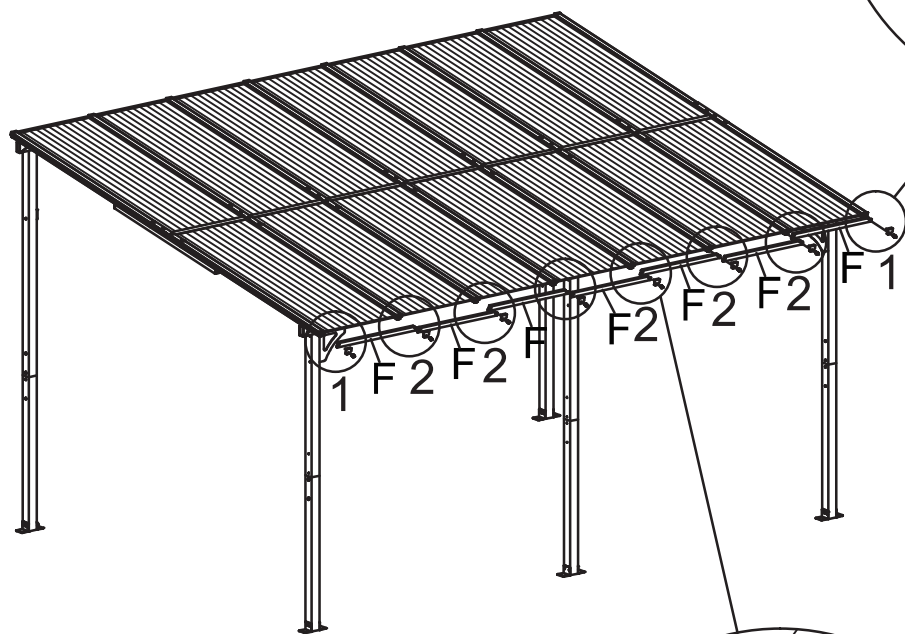
STEP 14

**K1**  X7

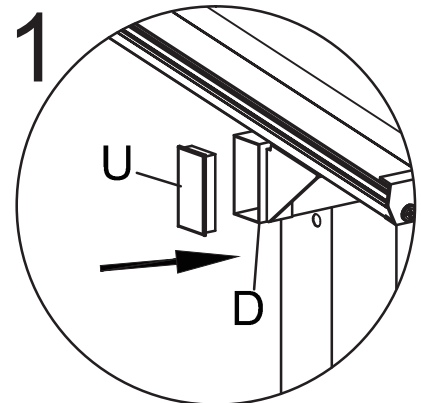
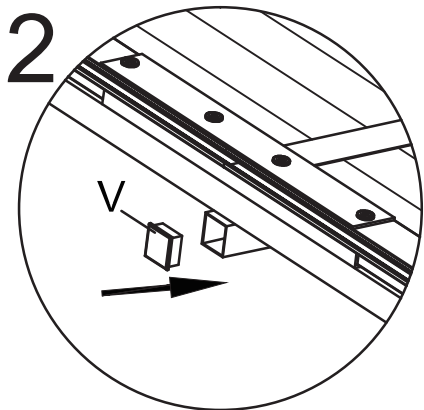
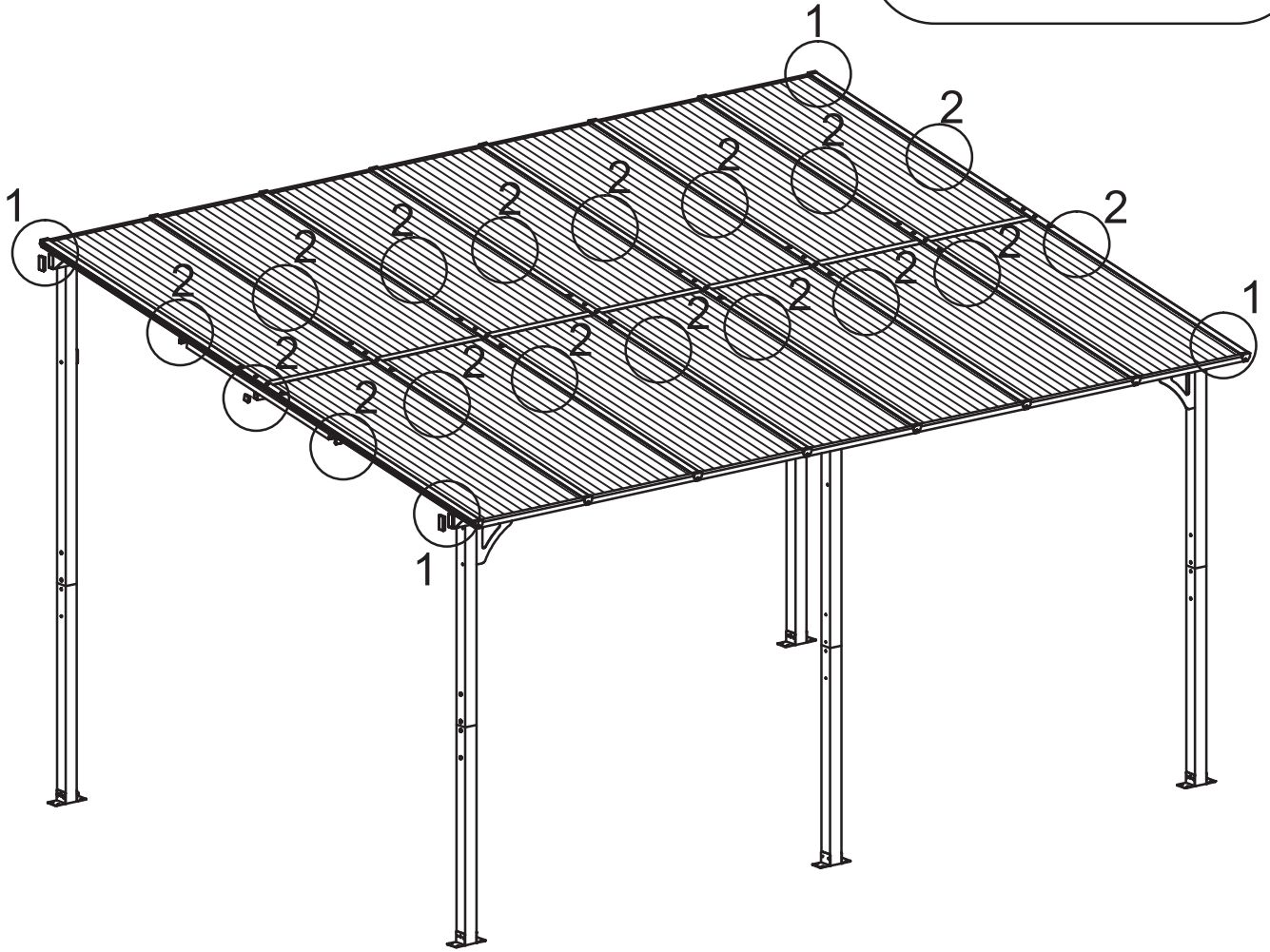
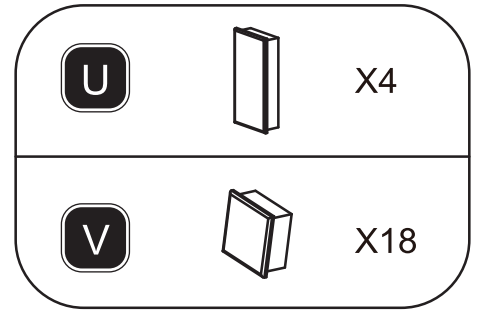


STEP 15

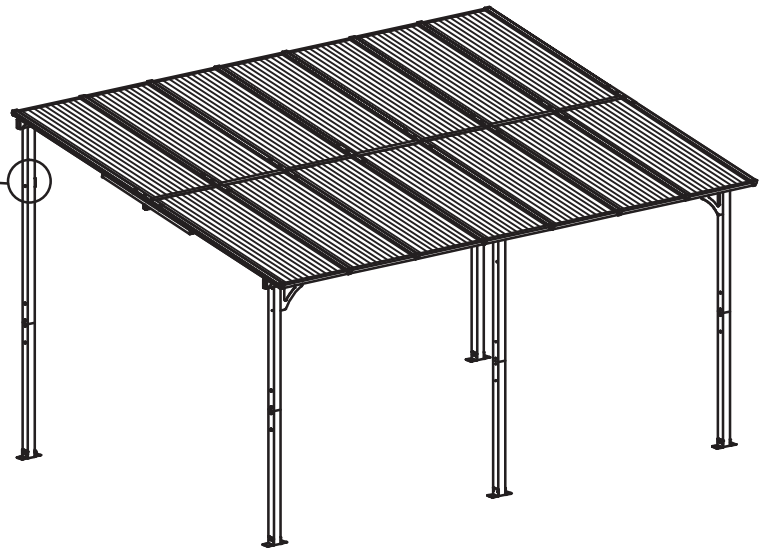
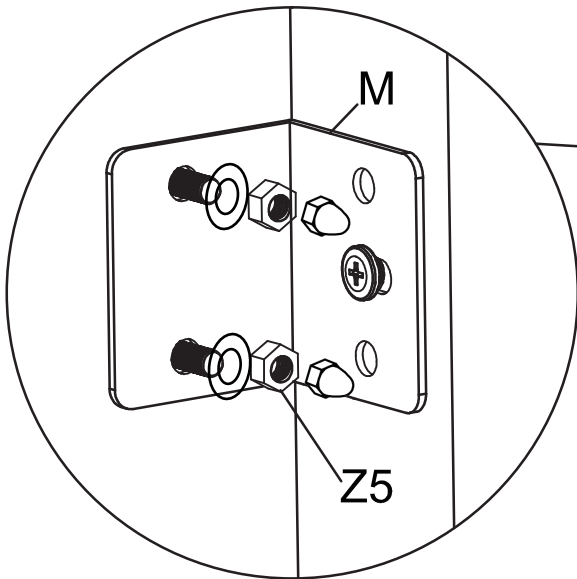
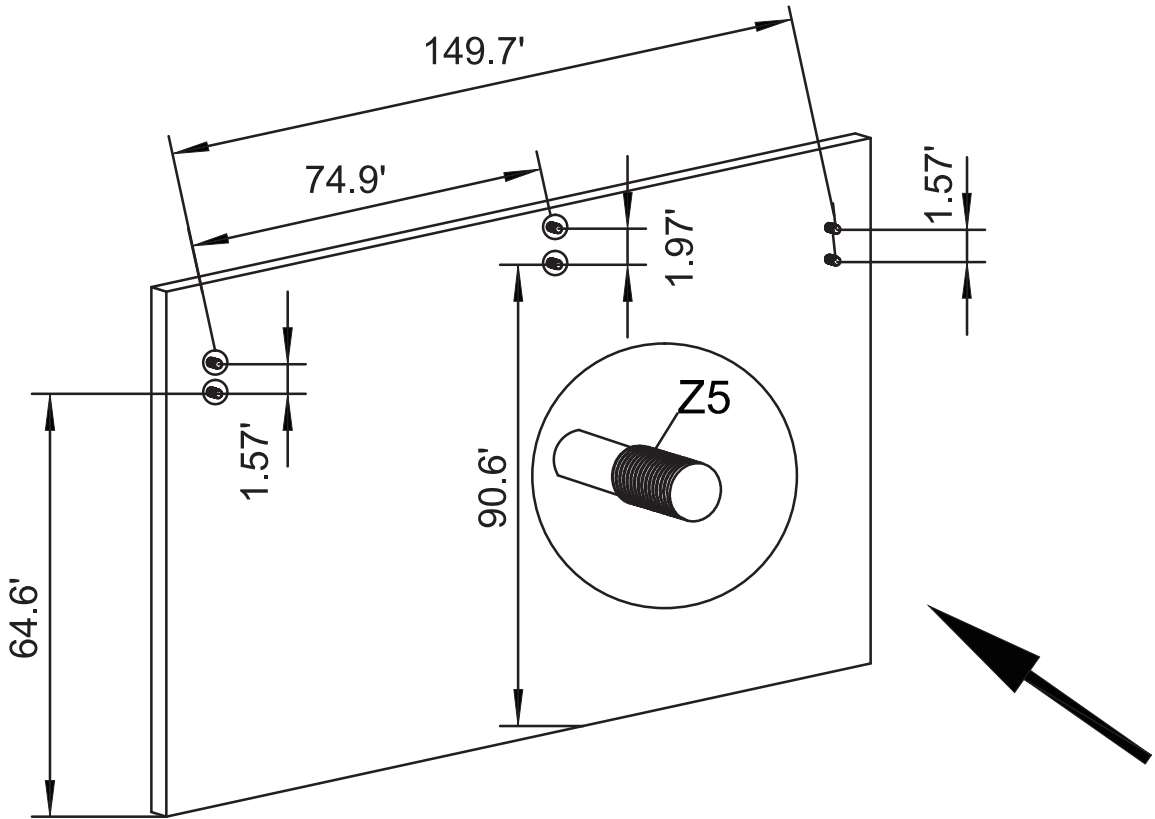
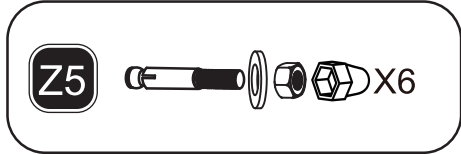
<b>R</b>		X8
<b>W1</b>		X8
<b>F</b>		X7

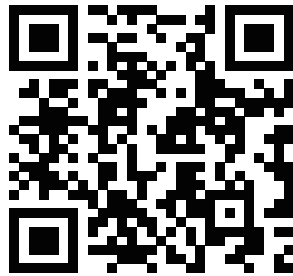


## STEP 16



STEP 17





**[www.alaulm.com](http://www.alaulm.com)**

Make Your Life Much Better.