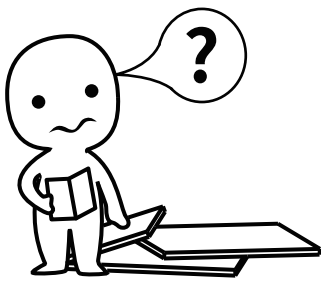


# **INSTALLATION**

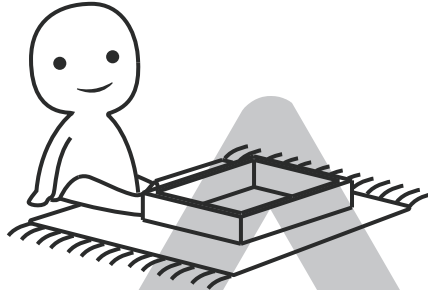
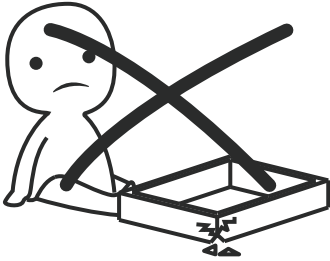
## *Product Manual*

Version: 210373US-00-25A-PF



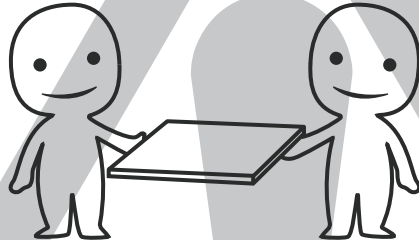
### IMPORTANT INFORMATION!

please read the entire manual before starting to assemble and/or using this product. follow the manual thoroughly and keep it for further reference.



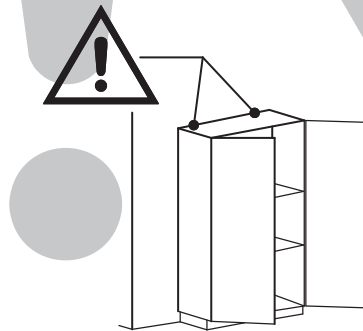
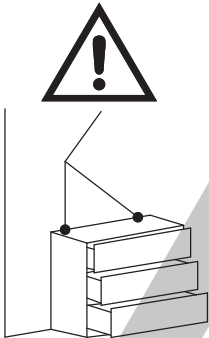
### AVOID SCRATCHES!

In order to avoid scratching this furniture should be assembled on a soft layer - could be a rug.



### IMPROVE EFFICIENCY !

Try to find a partner to install with you, which can speed up the installation efficiency and shorten the time.



### ANTI-TOPPLE WARNING !

Overturnd furniture can cause serious or fatal crush injuries. To prevent tipping over, be sure to use the wall attachment, if not included with this product. Please purchase the wall attachment that fit your wall. If unsure, seek professional advice. Please read and follow each step of the instructions carefully.

### IMPORTANT !

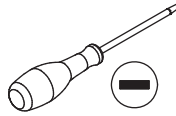
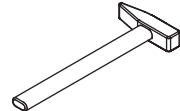
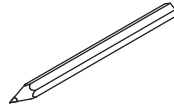
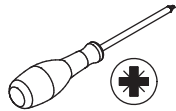
It is important that any product which is assembled using any kind of screw is re-tightened 2 weeks after assembly, and once every 3 months - in order to assure stability through-out the lifespan of the product.

For regular maintenance and cleaning of the product, for the frame, please use a rag dipped in neutral detergent to fully wipe it, and then dry it with a clean rag. For glass materials, wipe with a rag dampened with water glass cleaner, and then dry with a dry rag.

Do not use an electric screwdriver, and do not use too much force when installing, because the board is easy to break.

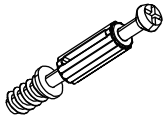


Please prepare the following tools



When installing, please carefully confirm whether each screw corresponds to the manual, accessories with similar shapes can be distinguished by size

A x 70



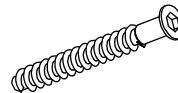
M5 x 42 mm

B x 70



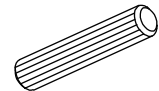
Ø 15 x 10 mm

C x 22



M7 x 50 mm

D x 28



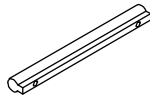
Ø 8 x 40 mm

E x 92



M3.5 x 14 mm

F x 2



220-96

G x 4



M4 x 12 mm

H x 16



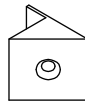
M6 x 12 mm

I x 16



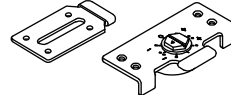
M6 x 25 mm

J x 40



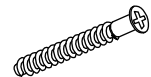
BBK

K x 8



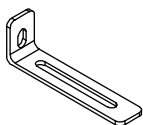
x 1

L x 10

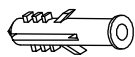


M5 x 40 mm

M x 2



N x 2



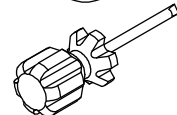
Ø 8x60

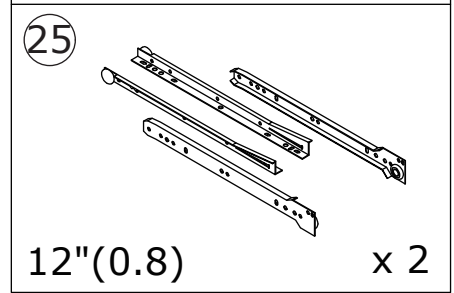
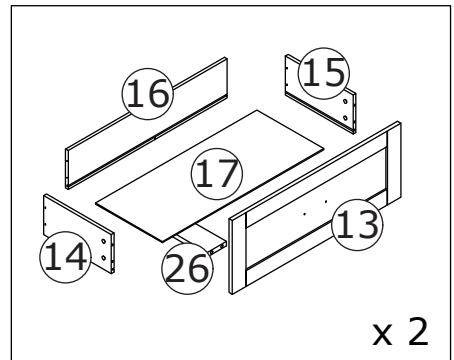
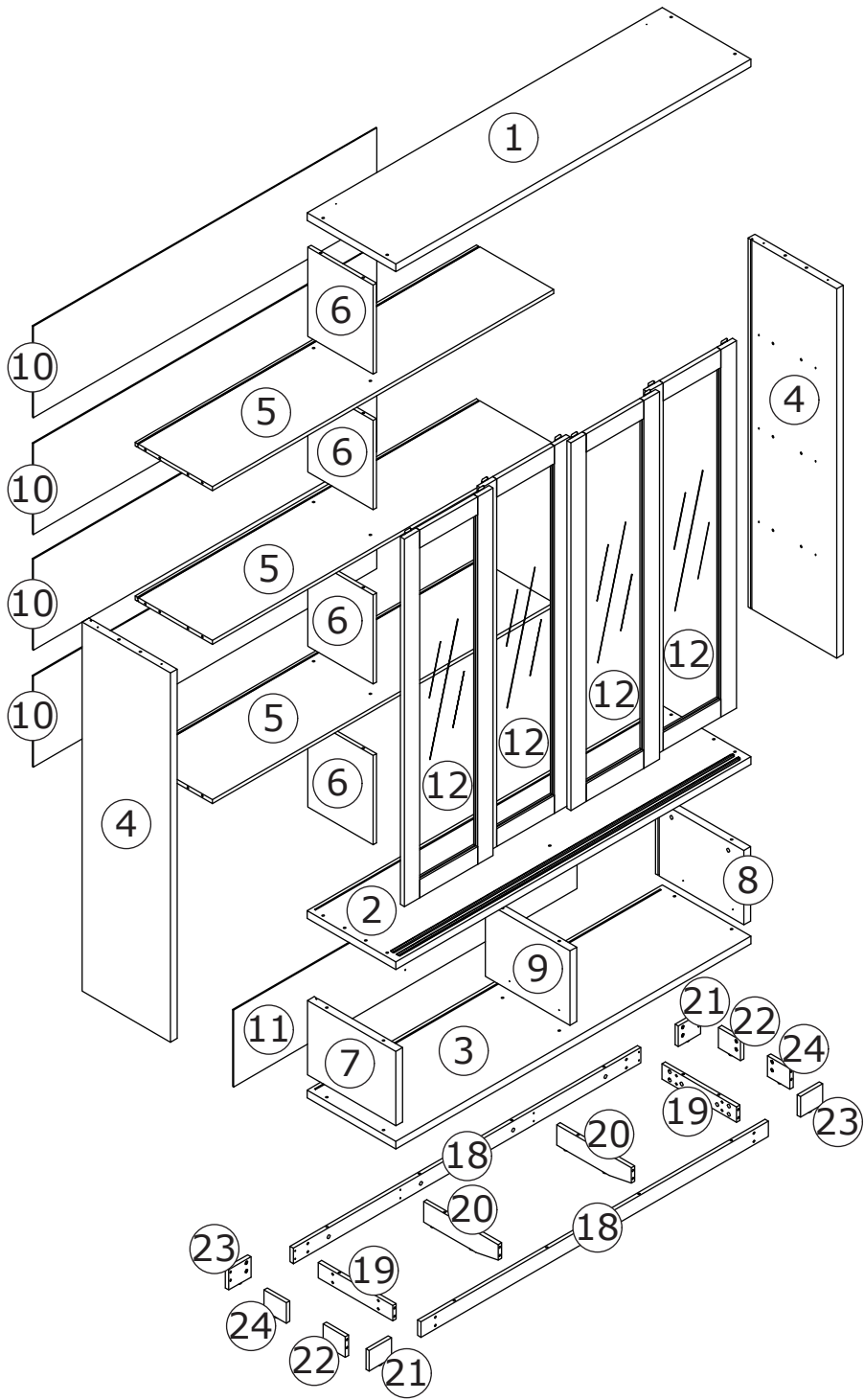


Ø 5x55

#4

x 1



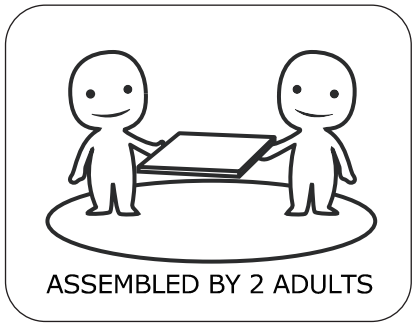


**⚠ WARNING**

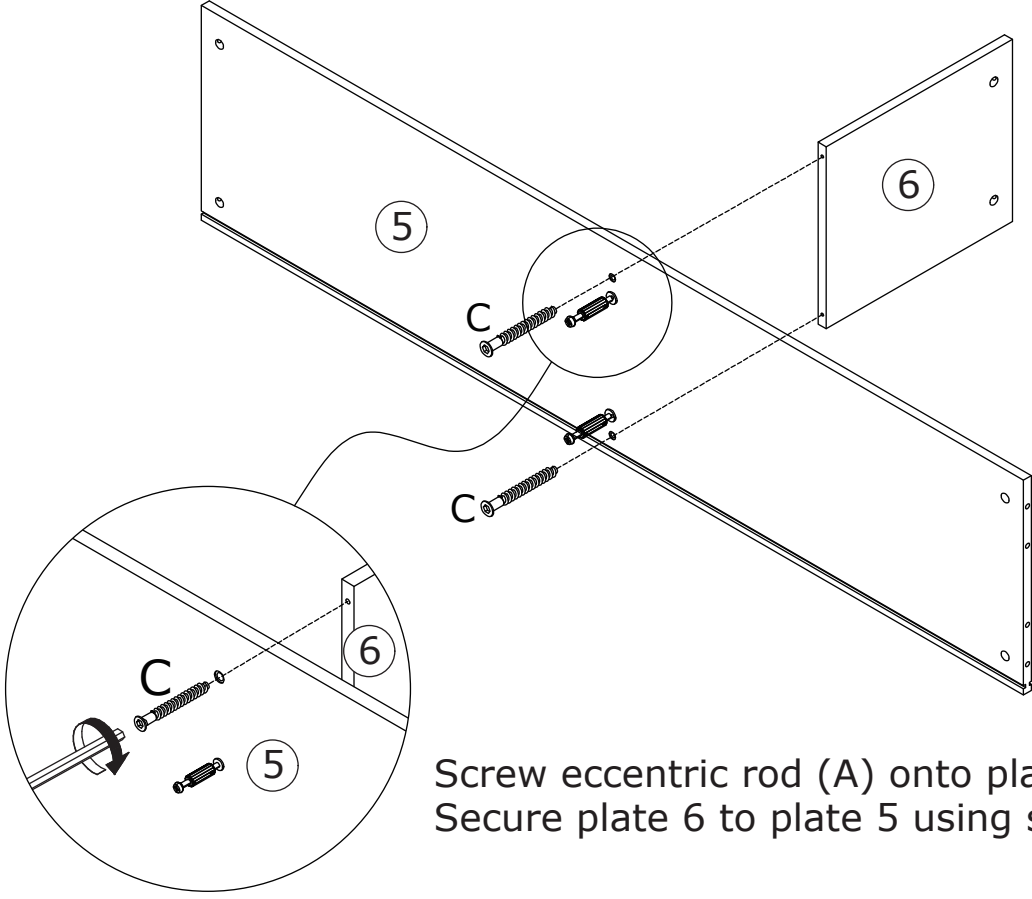
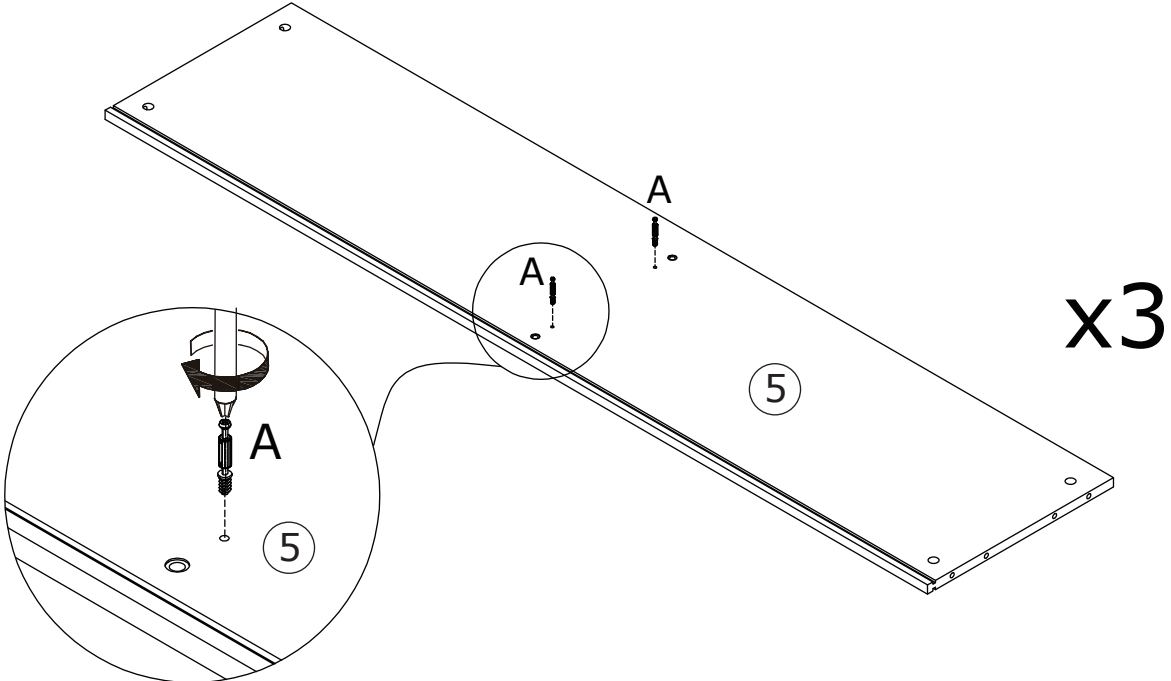
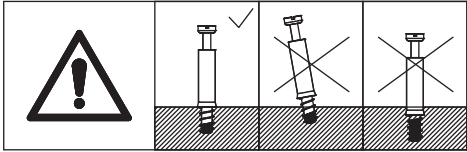
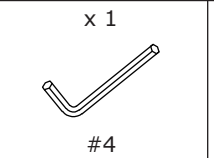
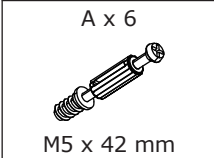
**Children have died from furniture tipover. To reduce the risk of furniture tipover:**

- ALWAYS install Anti-tip device provided.
- NEVER put a TV on this product.
- NEVER allow children to stand, climb or hang on drawers, doors, or shelves.
- NEVER open more than one drawer at a time.
- Place heaviest items in the lowest drawers.

*This is a permanent label. Do not remove!*

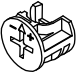


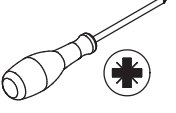


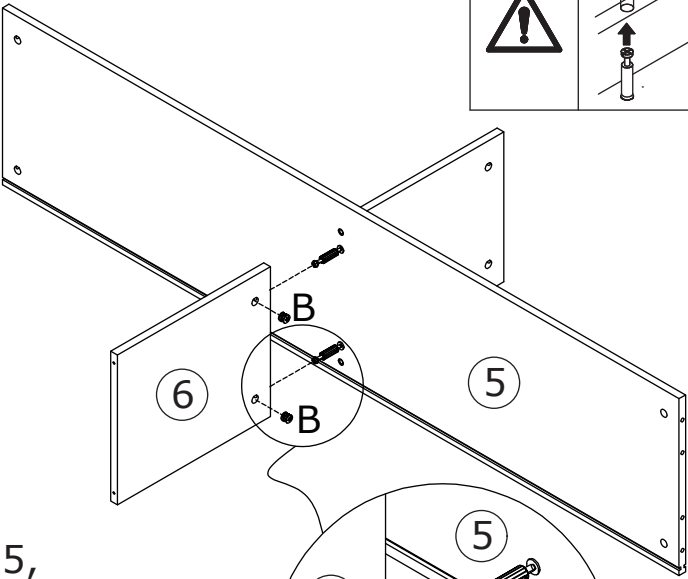
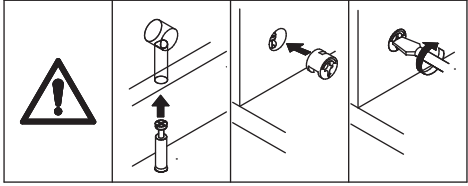
1



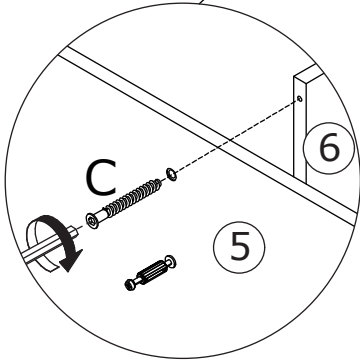
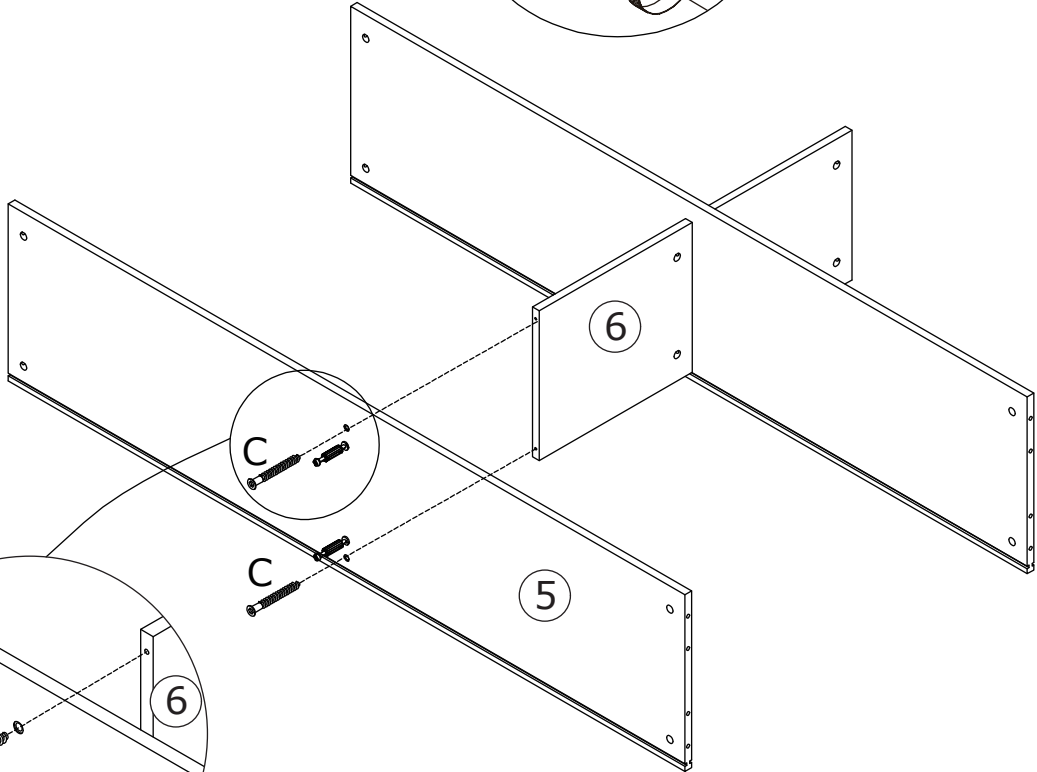
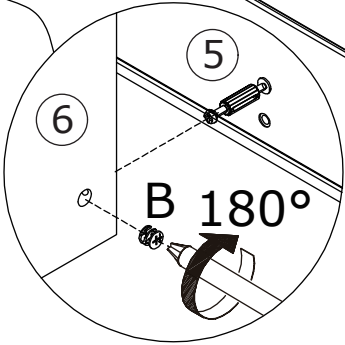
Screw eccentric rod (A) onto plate 5.  
Secure plate 6 to plate 5 using screw (C).

2

<p>B x 2</p>  <p>Ø 15 x 10 mm</p>	<p>C x 2</p>  <p>M7 x 50 mm</p>	<p>x 1</p>  <p>#4</p>	
--	--	--	---

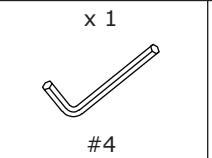
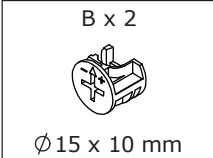


Connect plate 6 to plate 5, then tighten by turning cam lock (B) clockwise.

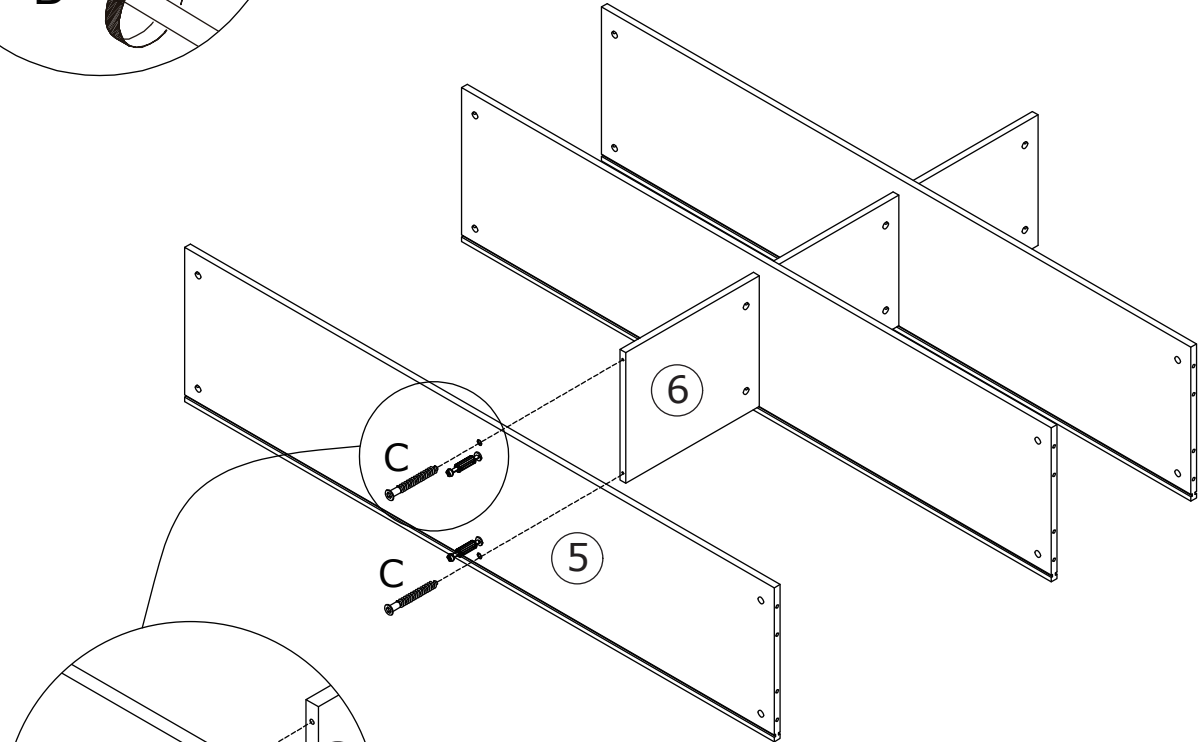
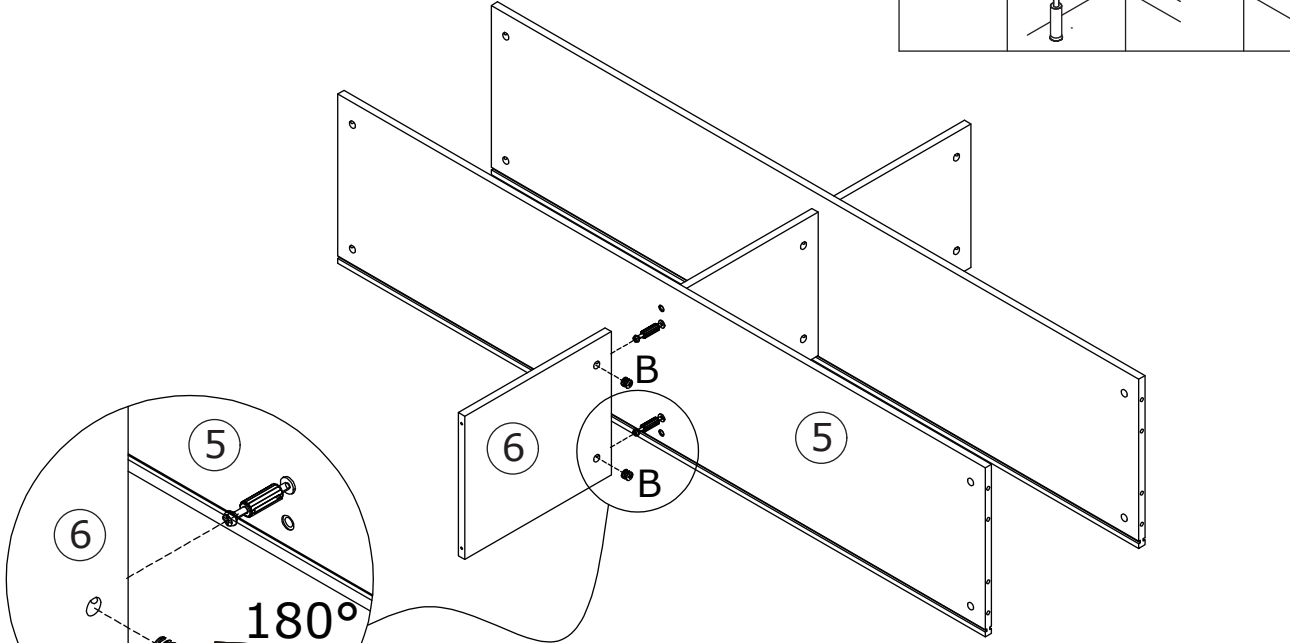
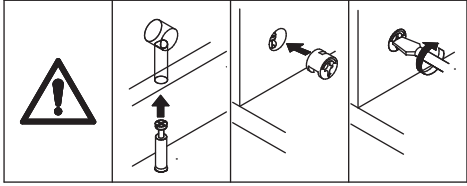


Secure plate 5 to plate 6 using screw (C).

3

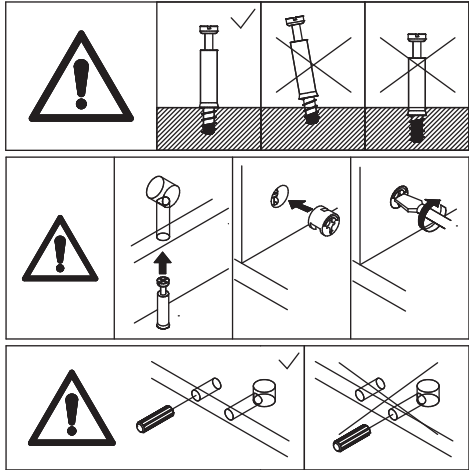
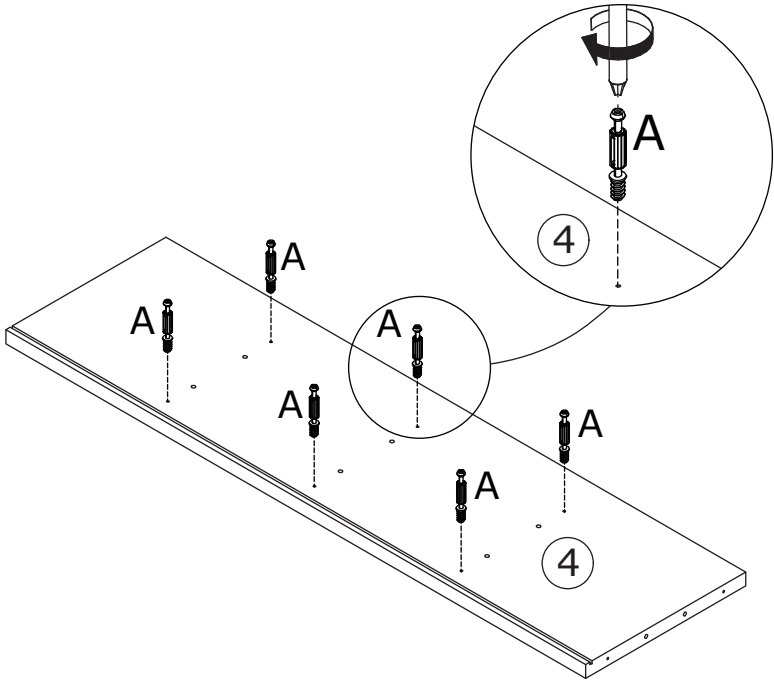
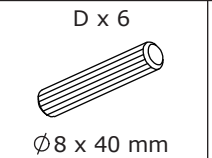
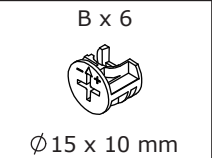
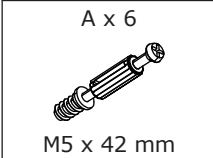


Connect plate 6 to plate 5, then tighten by turning cam lock (B) clockwise.

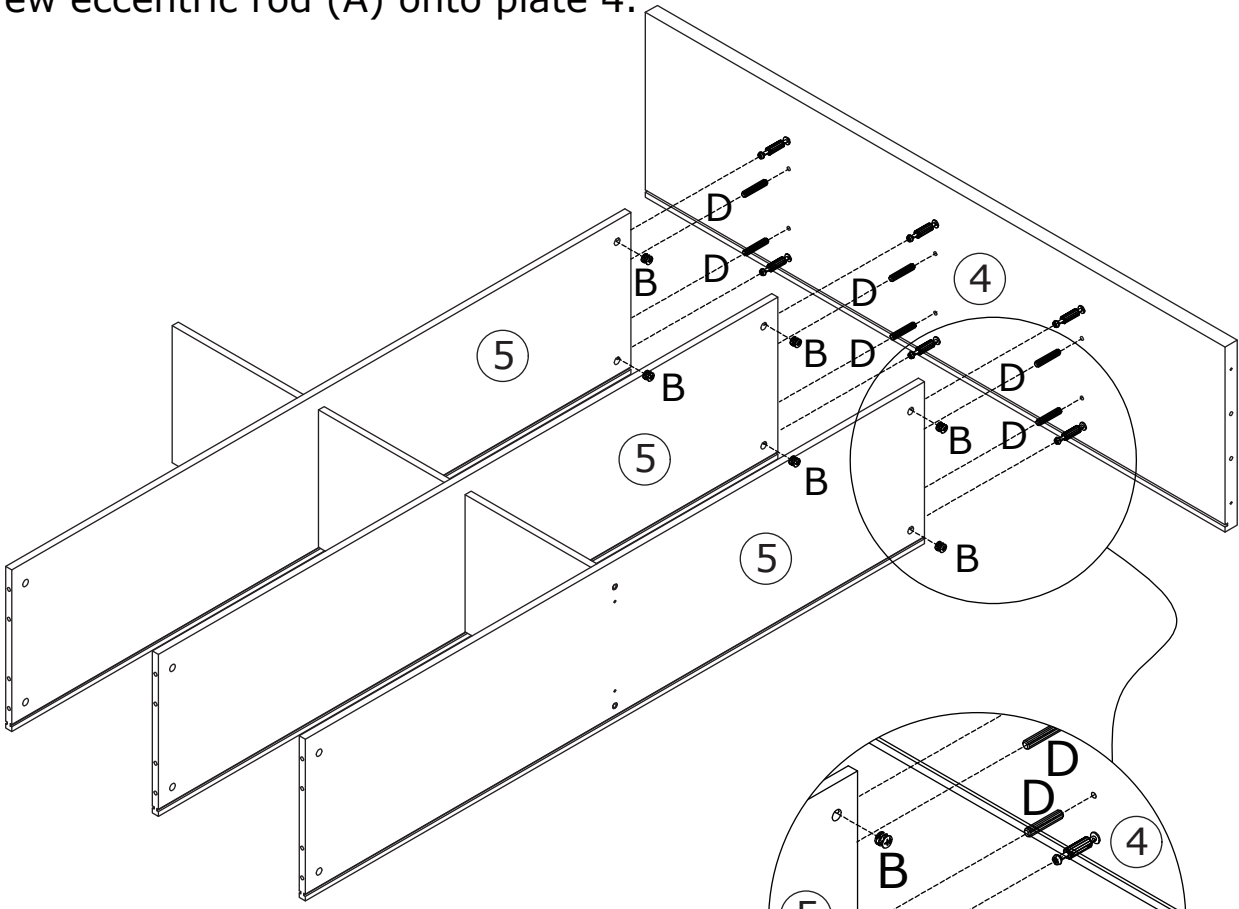


Secure plate 5 to plate 6 using screw (C).

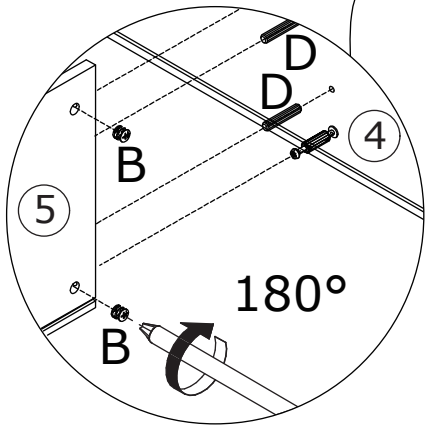
4



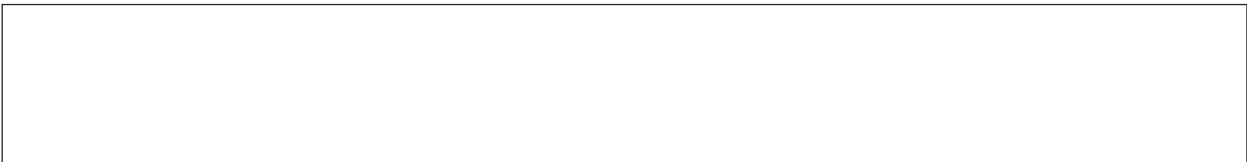
Screw eccentric rod (A) onto plate 4.



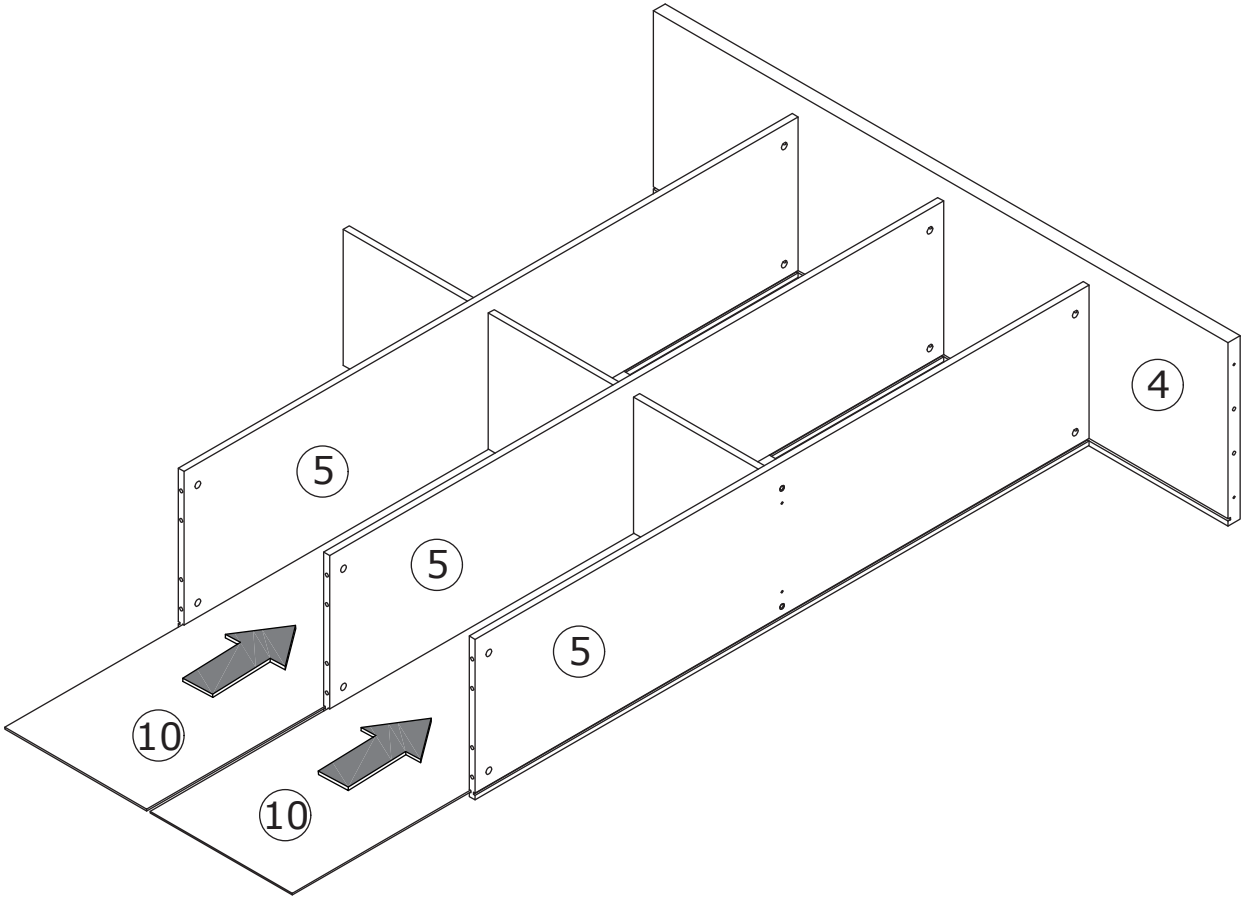
Connect plate 5 to plate 4, then tighten by turning cam lock (B) clockwise.



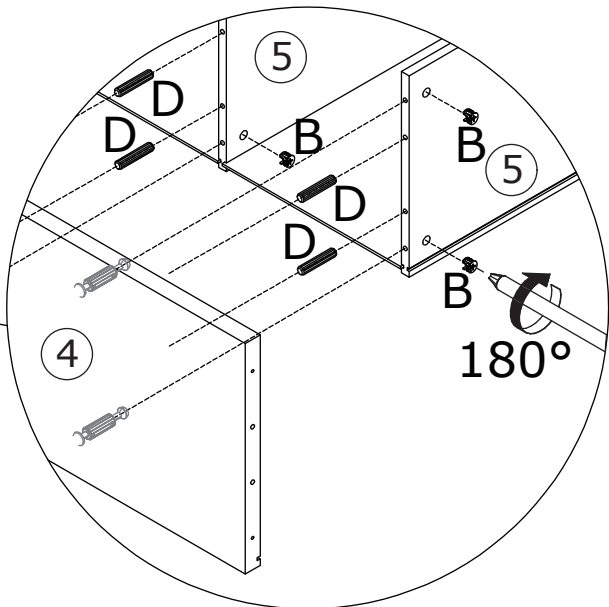
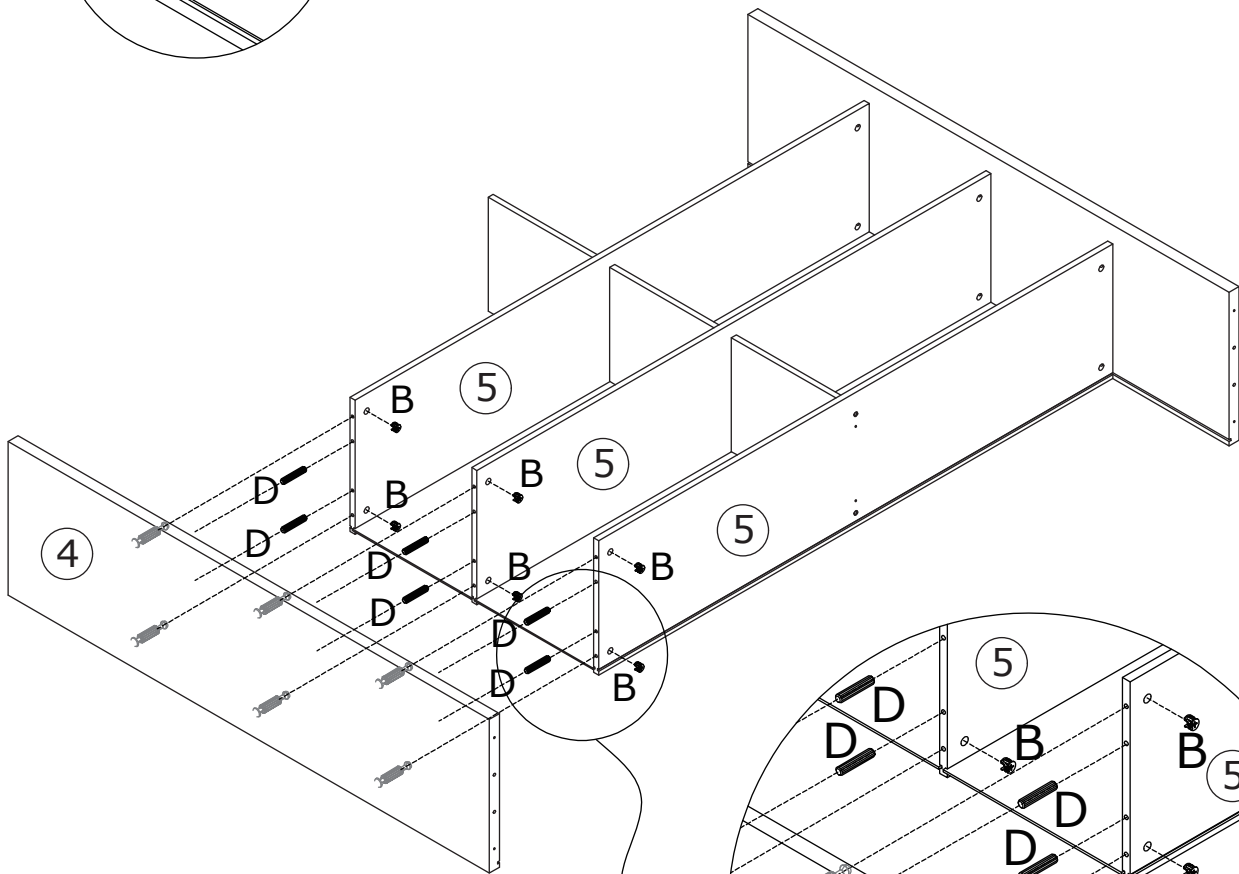
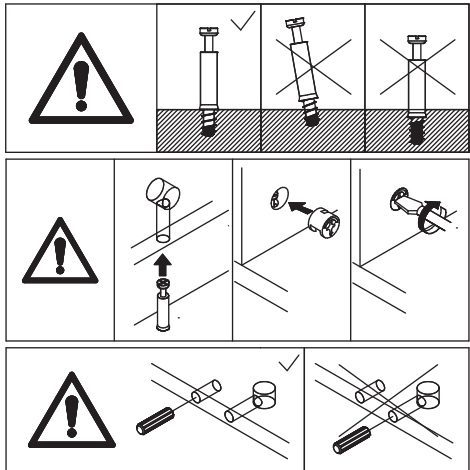
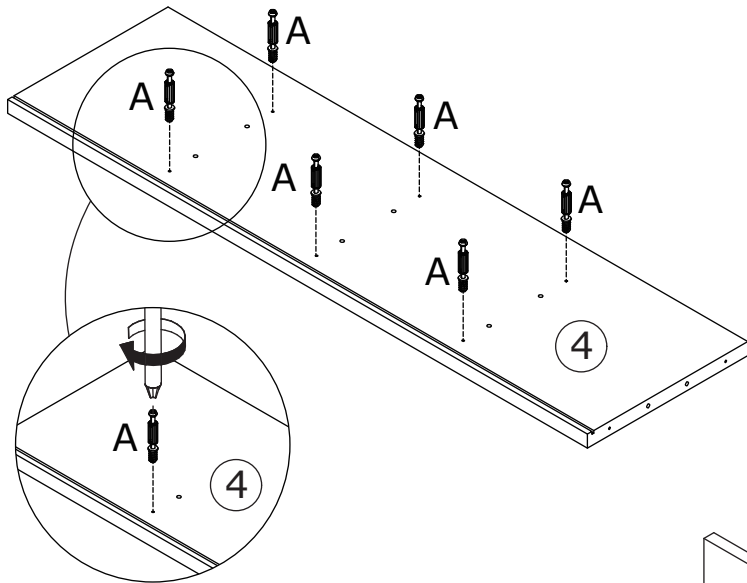
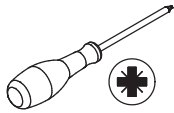
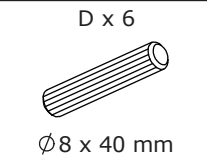
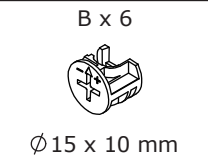
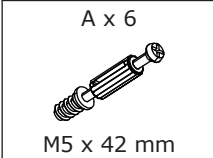
5



Insert plate 10 into the available slots.



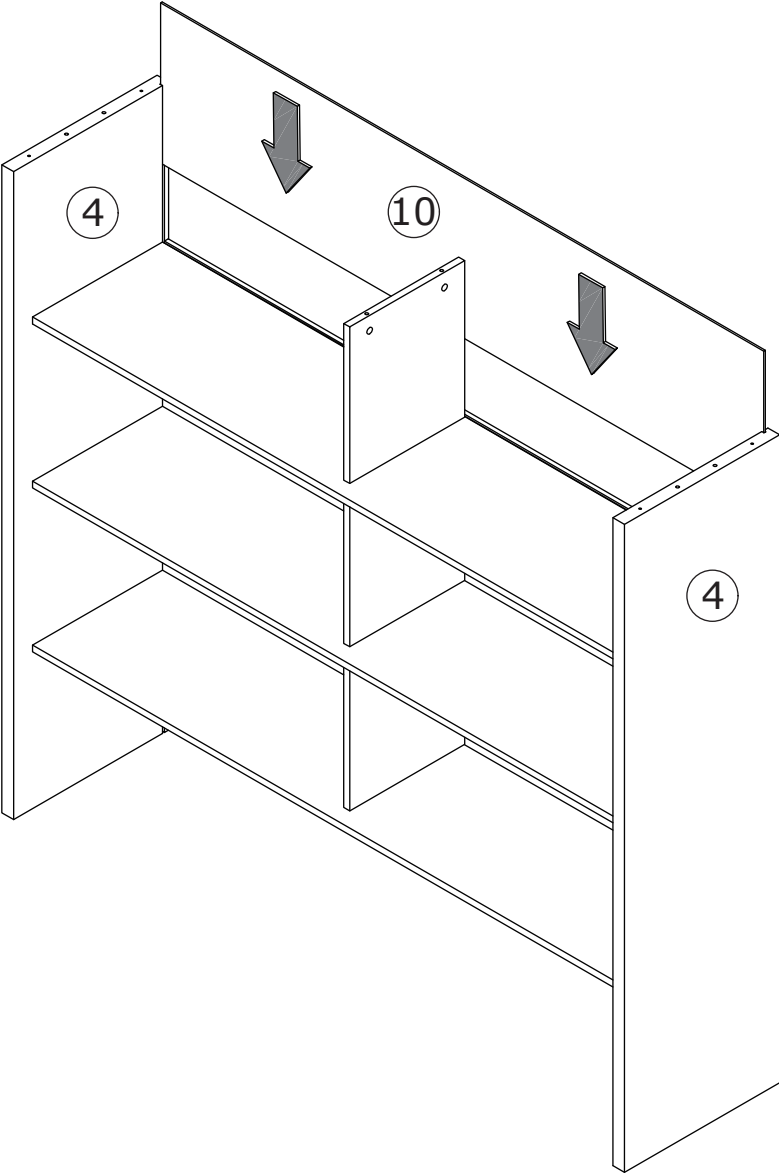
6



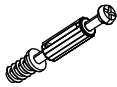
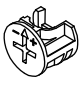

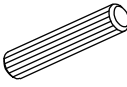

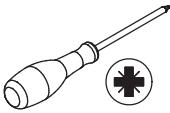
Screw eccentric rod (A) onto plate 4.  
Connect plate 5 to plate 4, then tighten  
by turning cam lock (B) clockwise.

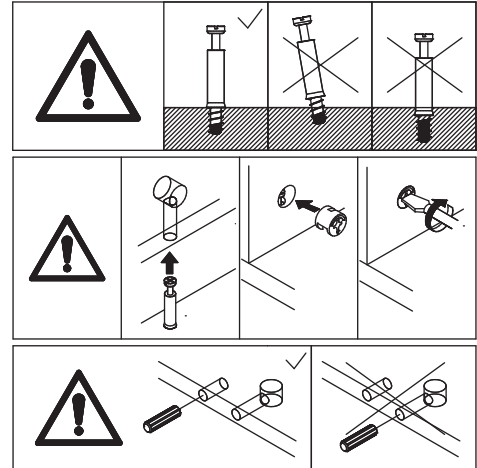
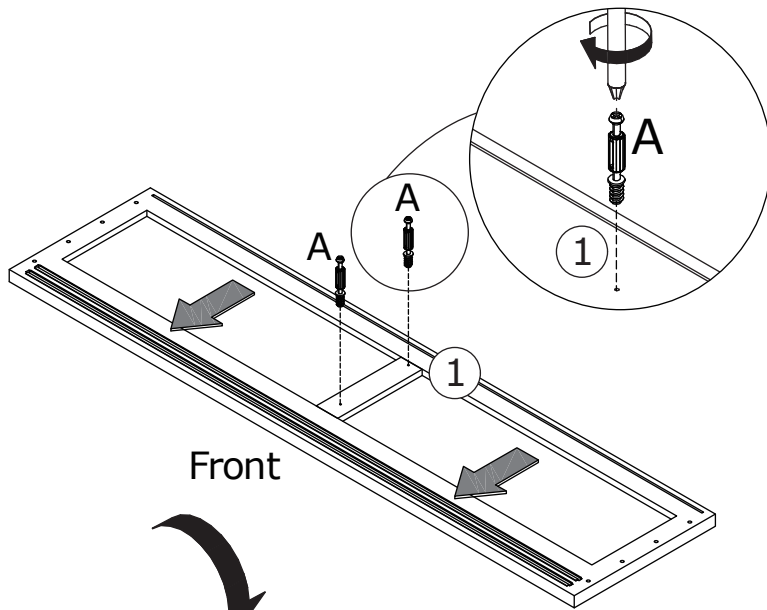
7

Insert plate 10 into the available slot.

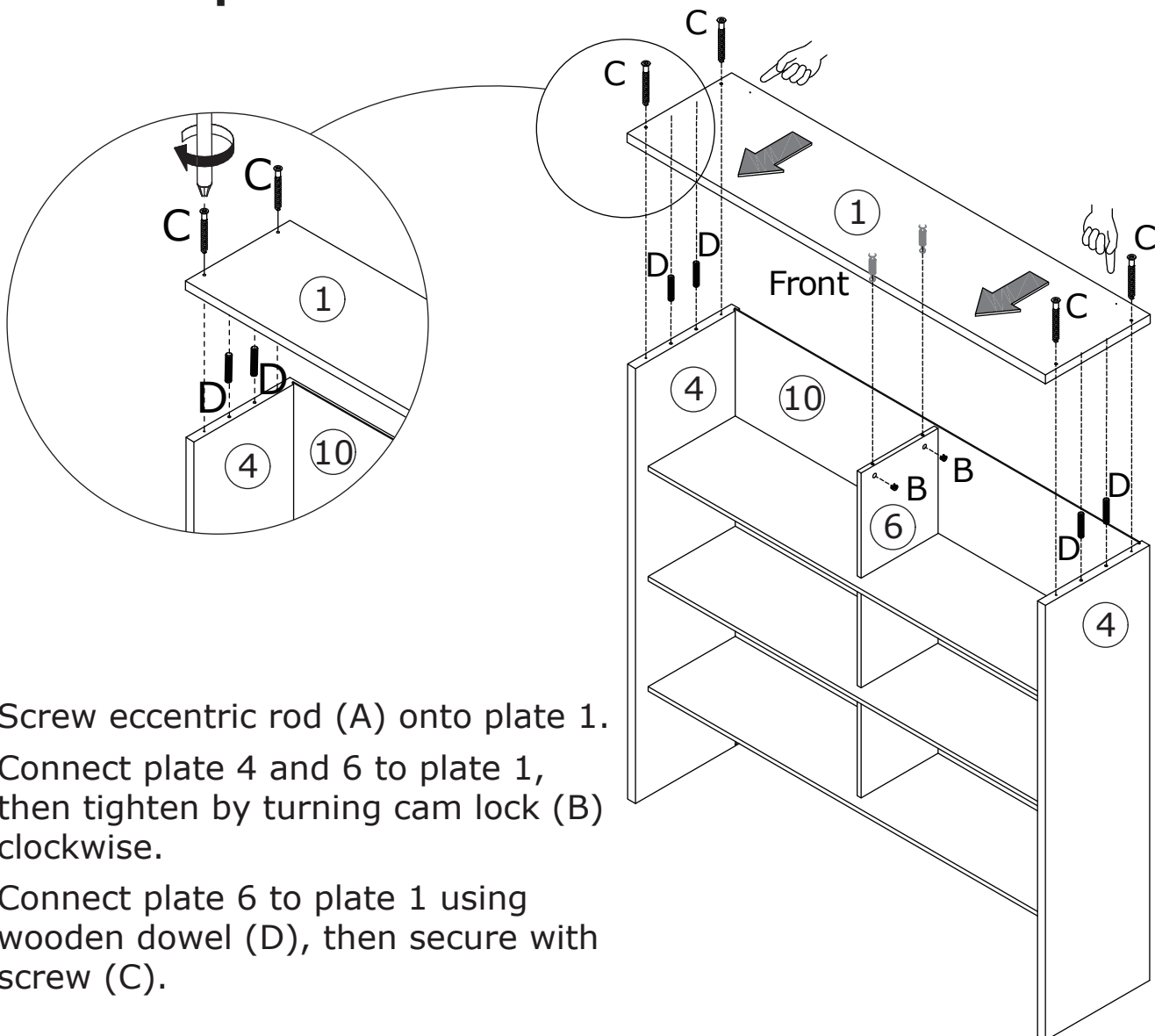


8

A x 2  M5 x 42 mm	B x 2  Ø15 x 10 mm	C x 4  M7 x 50 mm	D x 4  Ø8 x 40 mm	x 1  #4	
--	---	--	---	--	---



**Flip to back**

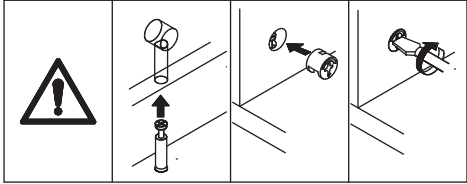
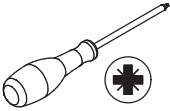


Screw eccentric rod (A) onto plate 1.  
Connect plate 4 and 6 to plate 1,  
then tighten by turning cam lock (B)  
clockwise.

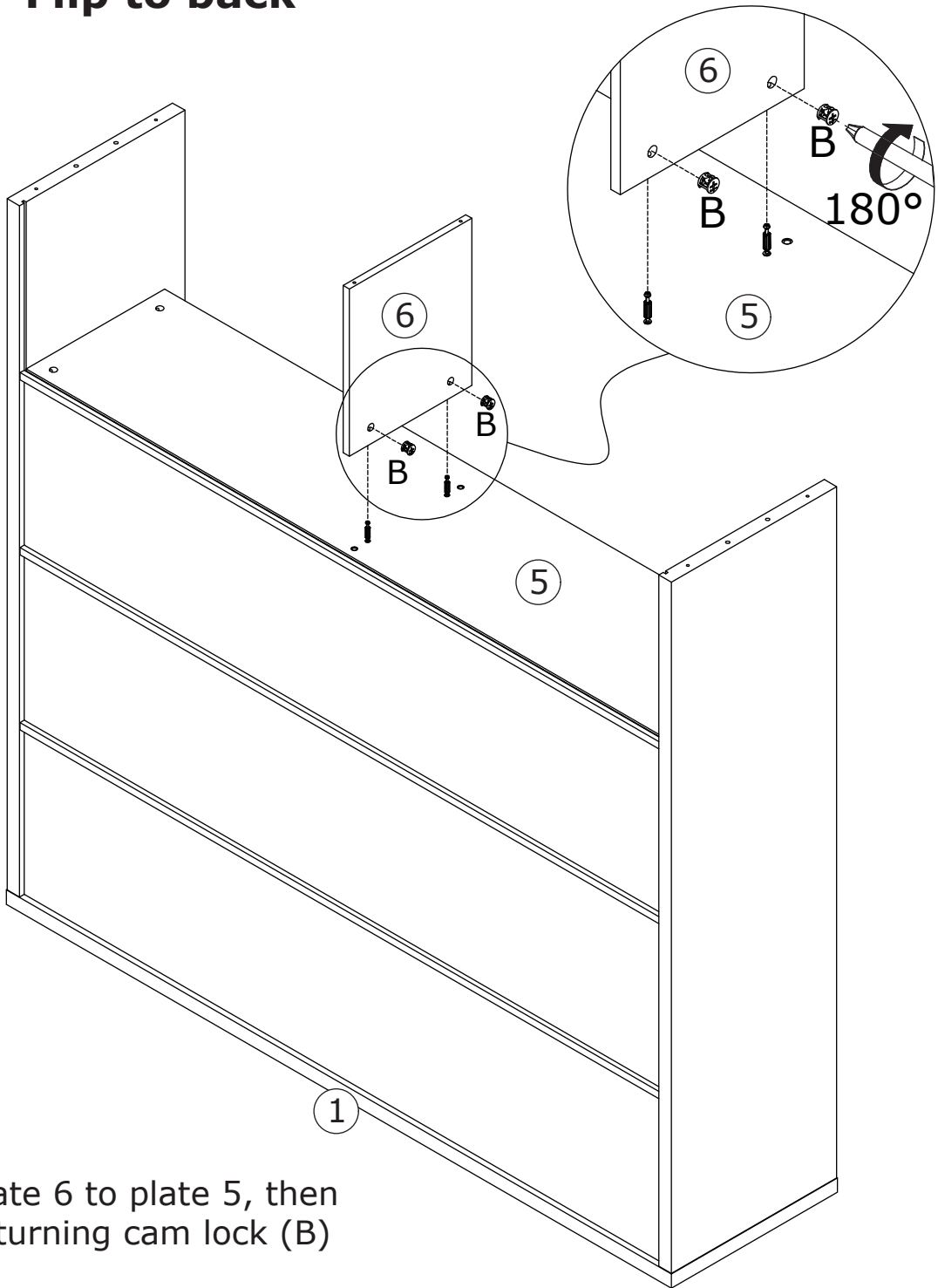
Connect plate 6 to plate 1 using  
wooden dowel (D), then secure with  
screw (C).

9

B x 2  
Ø 15 x 10 mm

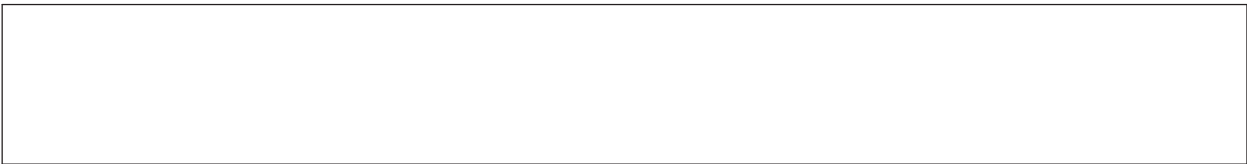


  
**Flip to back**

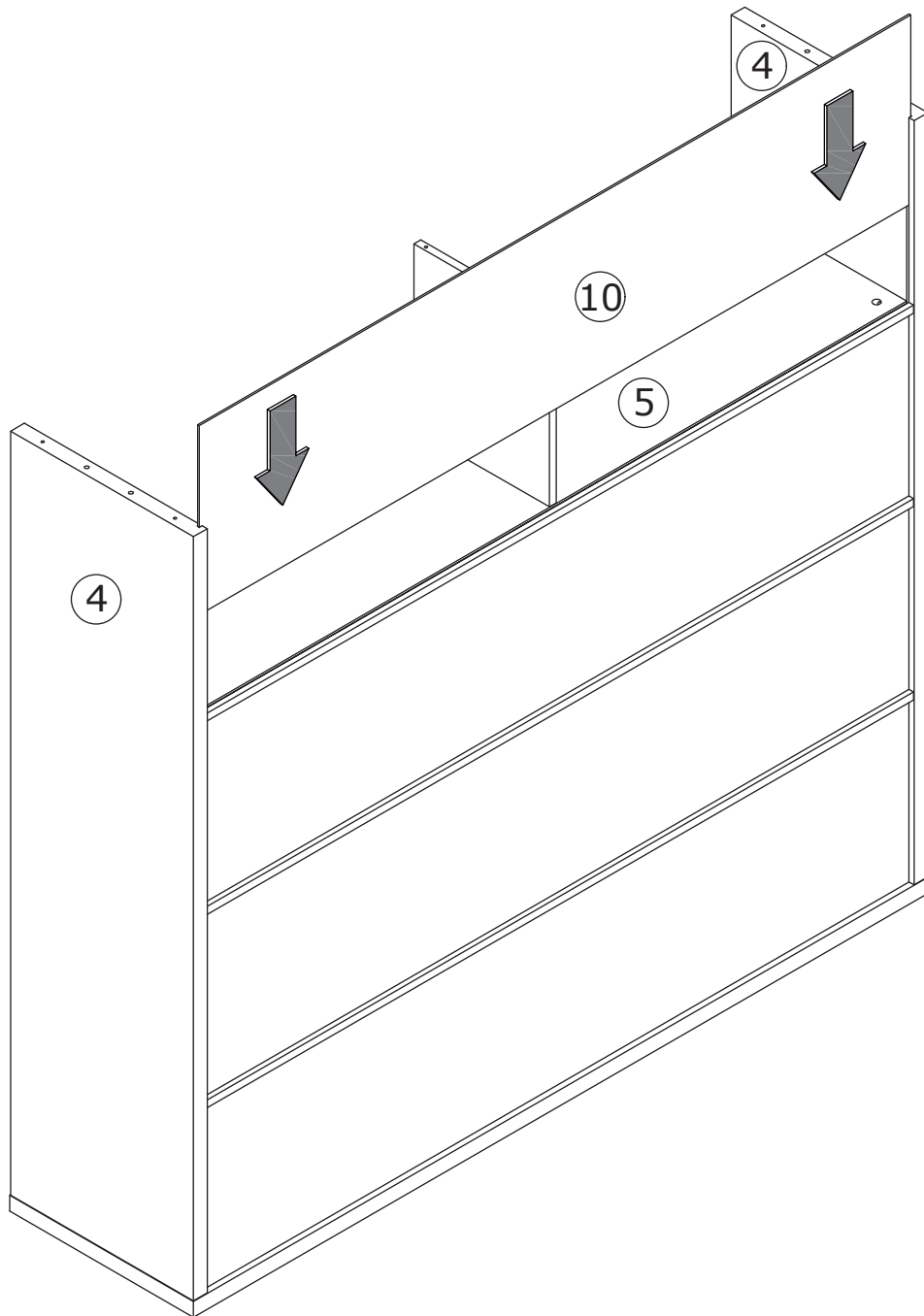


Connect plate 6 to plate 5, then tighten by turning cam lock (B) clockwise.

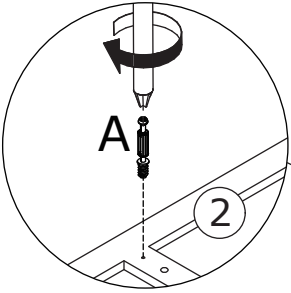
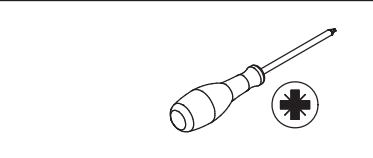
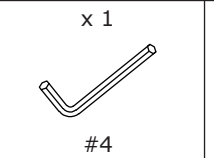
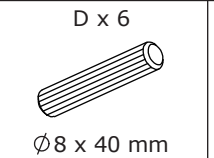
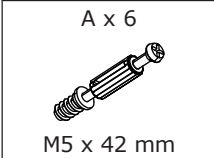
10



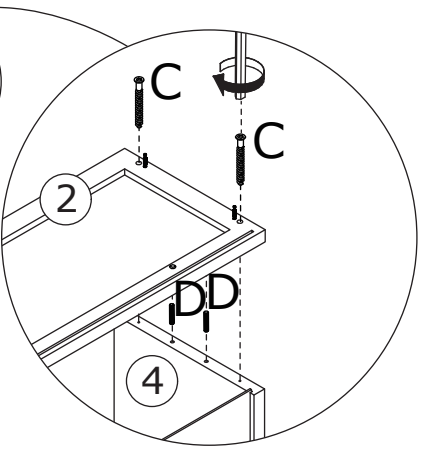
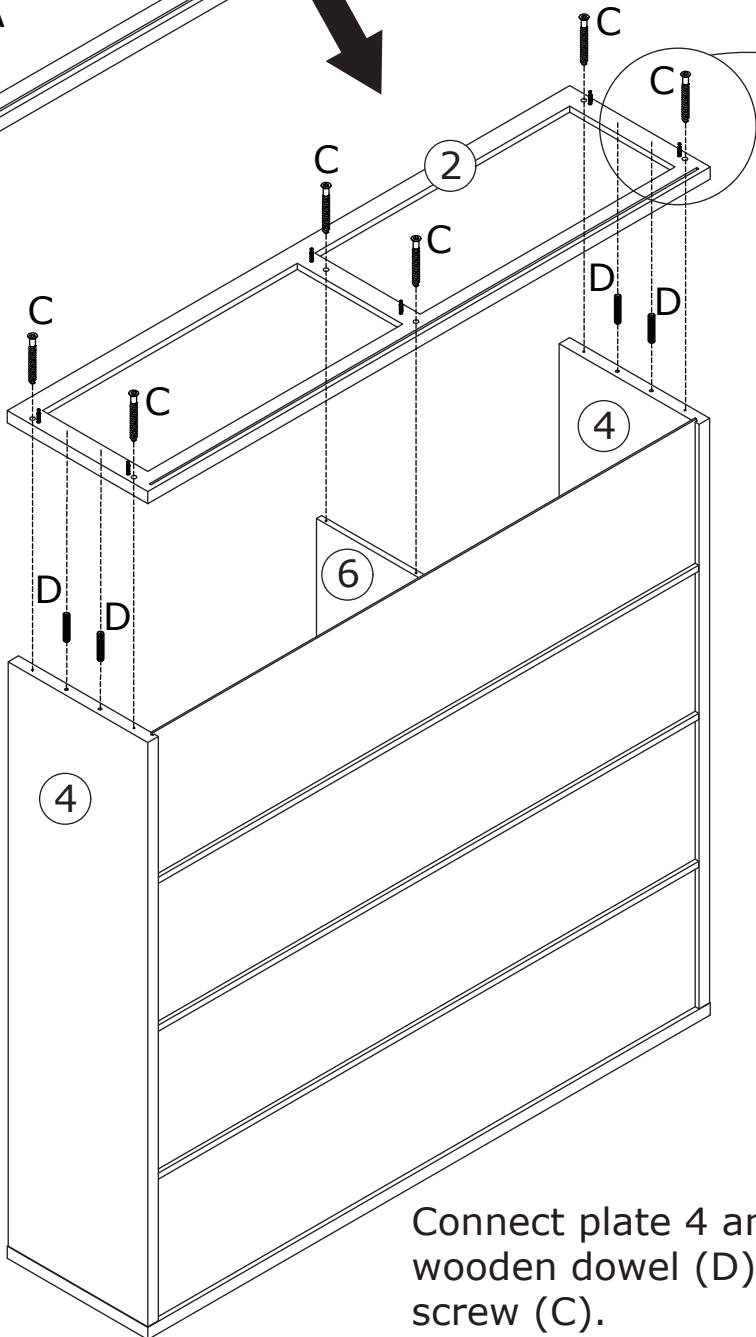
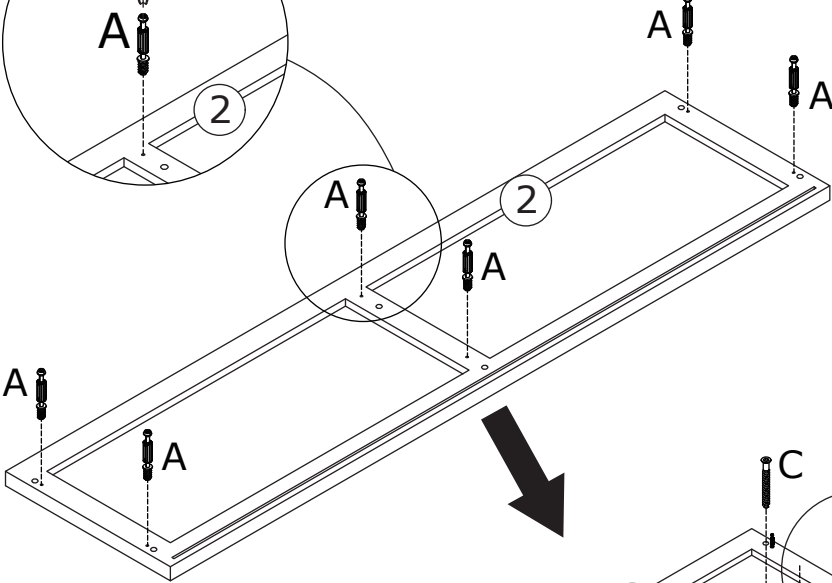
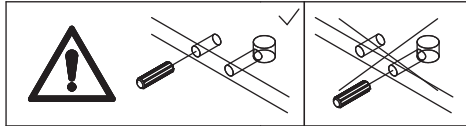
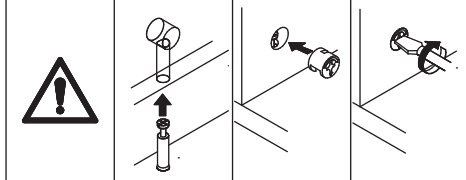
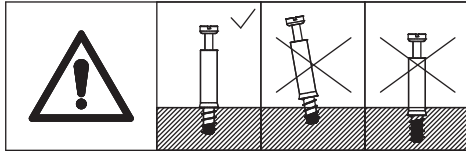
Insert plate 10 into the available slots.



11



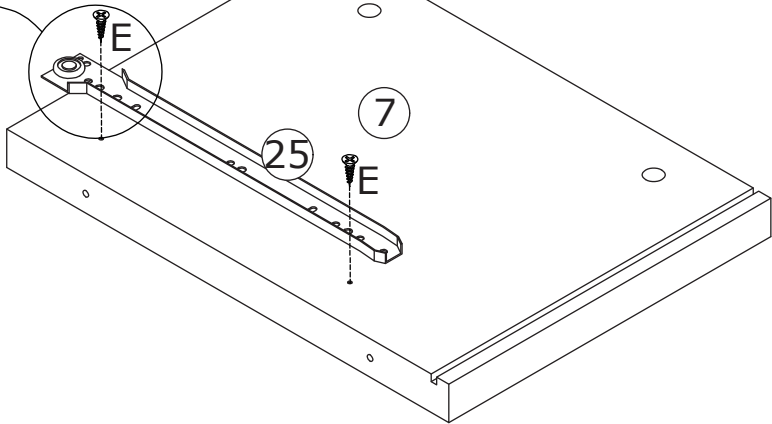
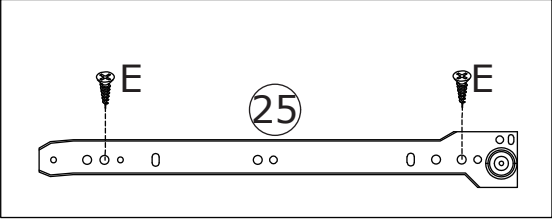
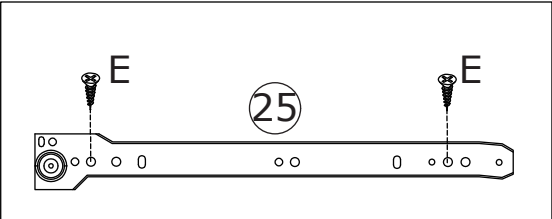
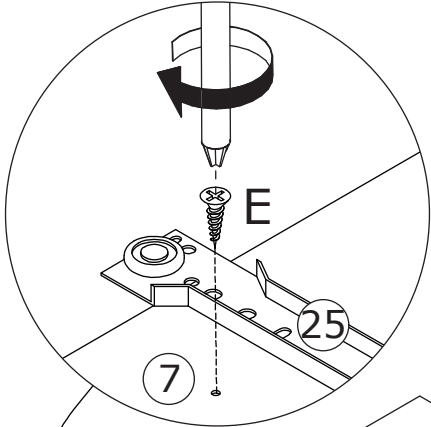
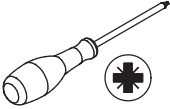
Screw eccentric rod (A) onto plate 2.



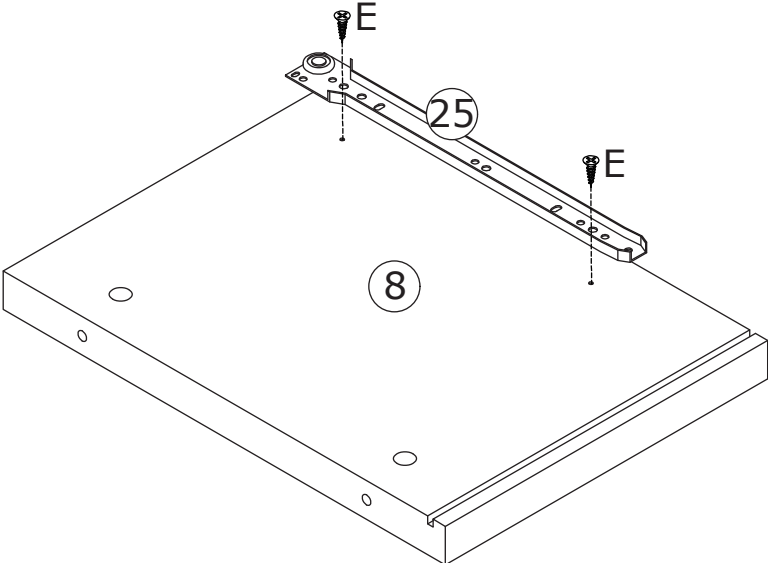
Connect plate 4 and 6 to plate 2 using wooden dowel (D), then secure with screw (C).

12

E x 4  
M3.5 x 14 mm



Secure slide rail 25 to plate 7 and 8 using screw (E).

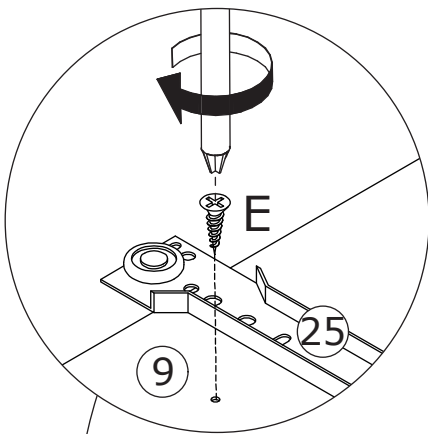
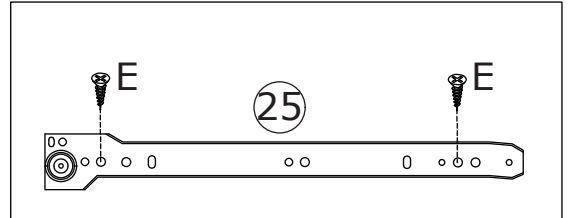
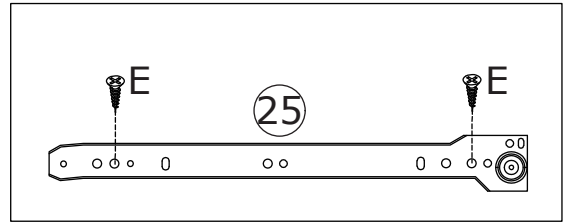
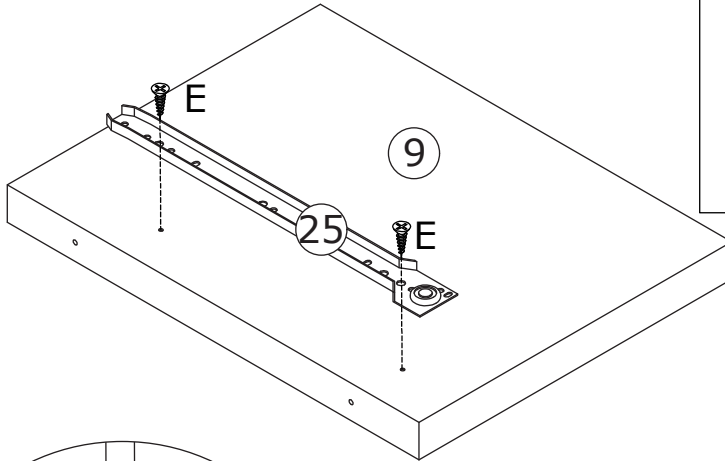
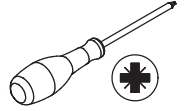


13

E x 4

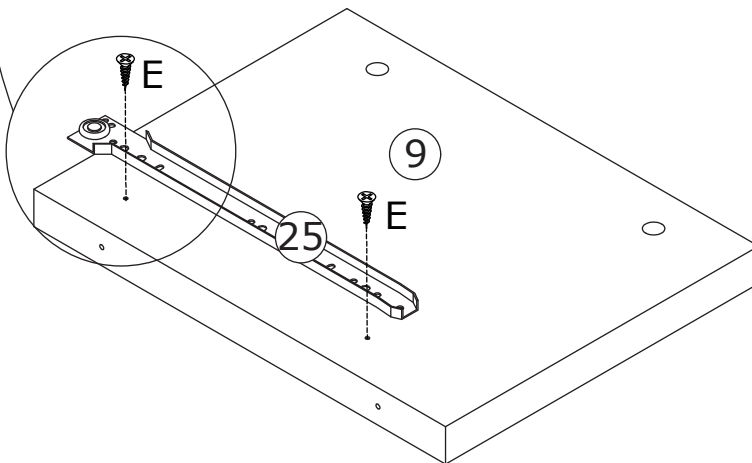


M3.5 x 14 mm



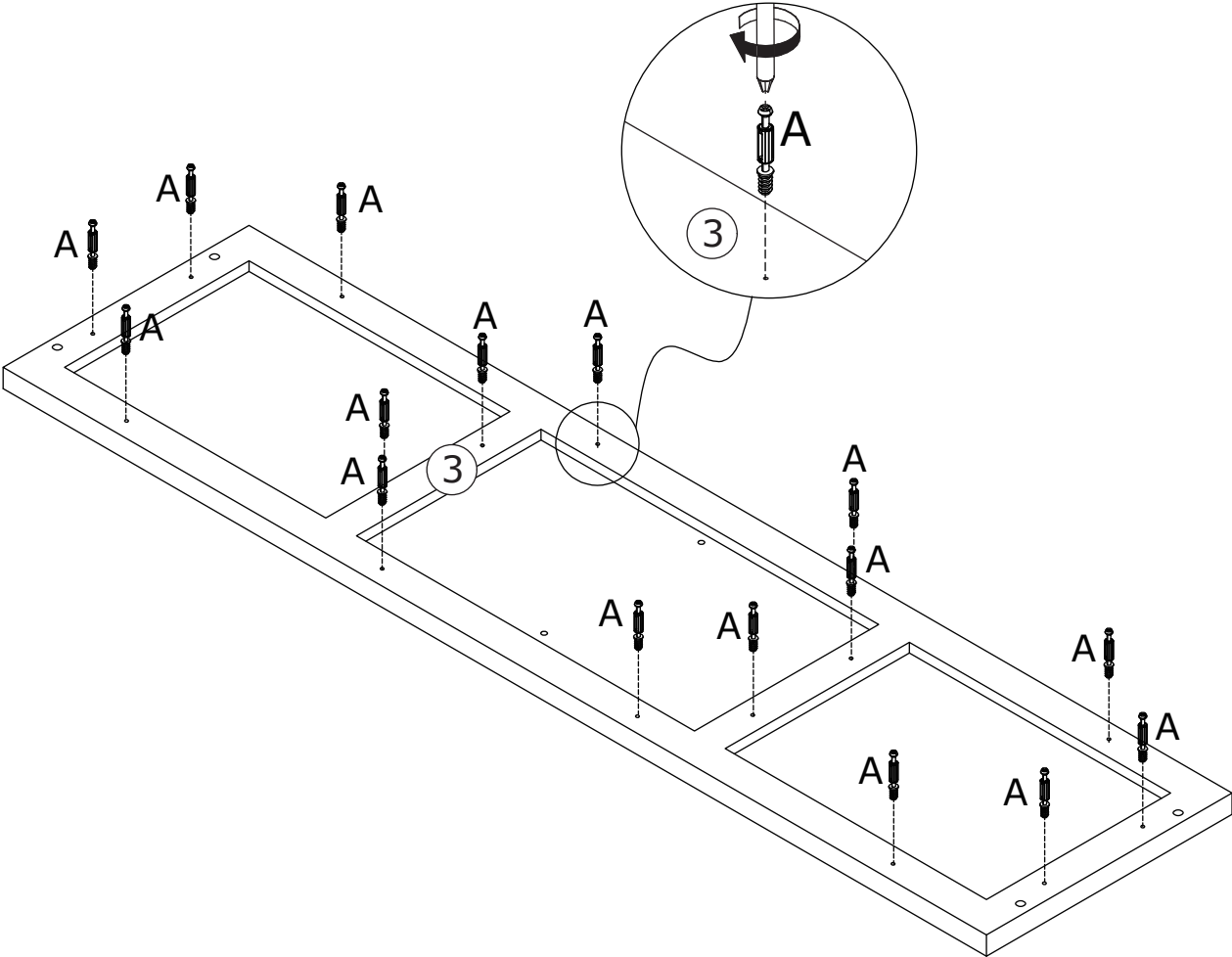
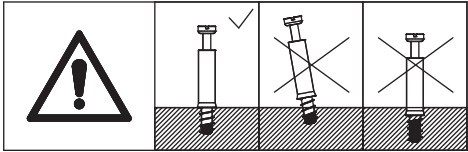
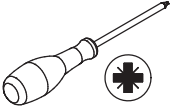
**Flip to back**

Secure the slide rail 25 to **both sides** of the plate 9 using screw (E).



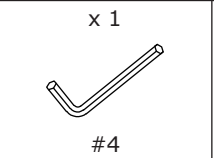
14

A x 16  
M5 x 42 mm

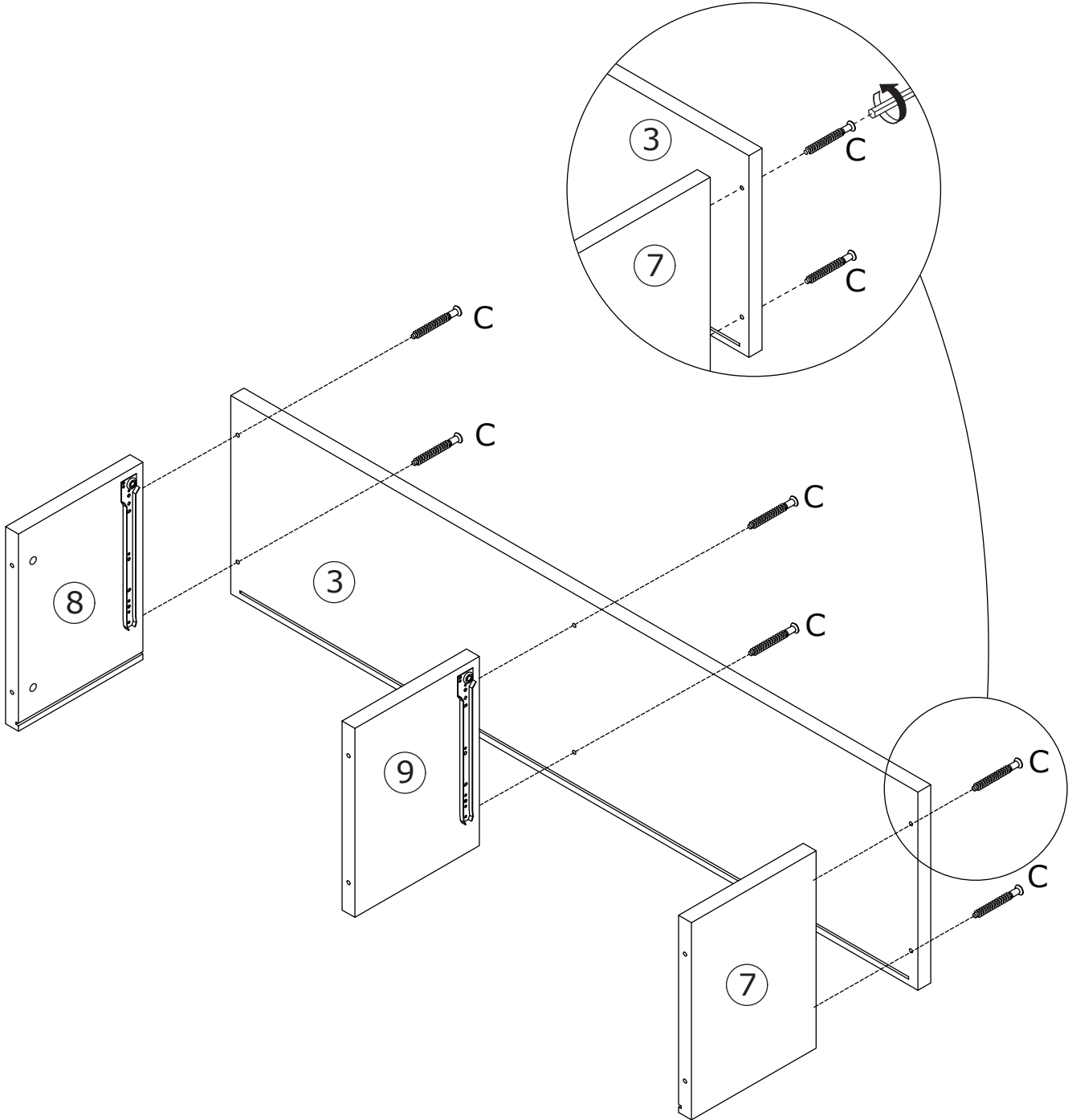


Screw eccentric rod (A) onto plate 3.

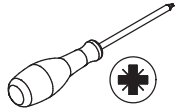
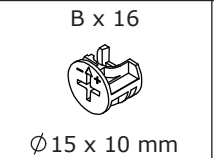
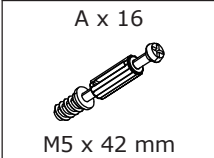
15



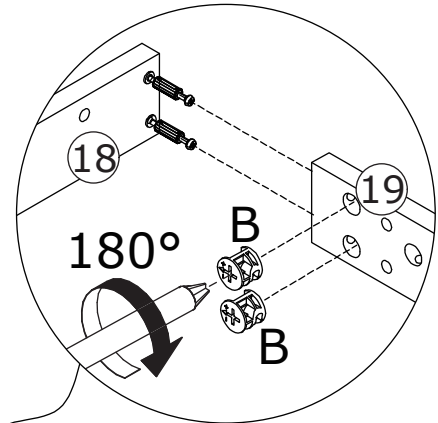
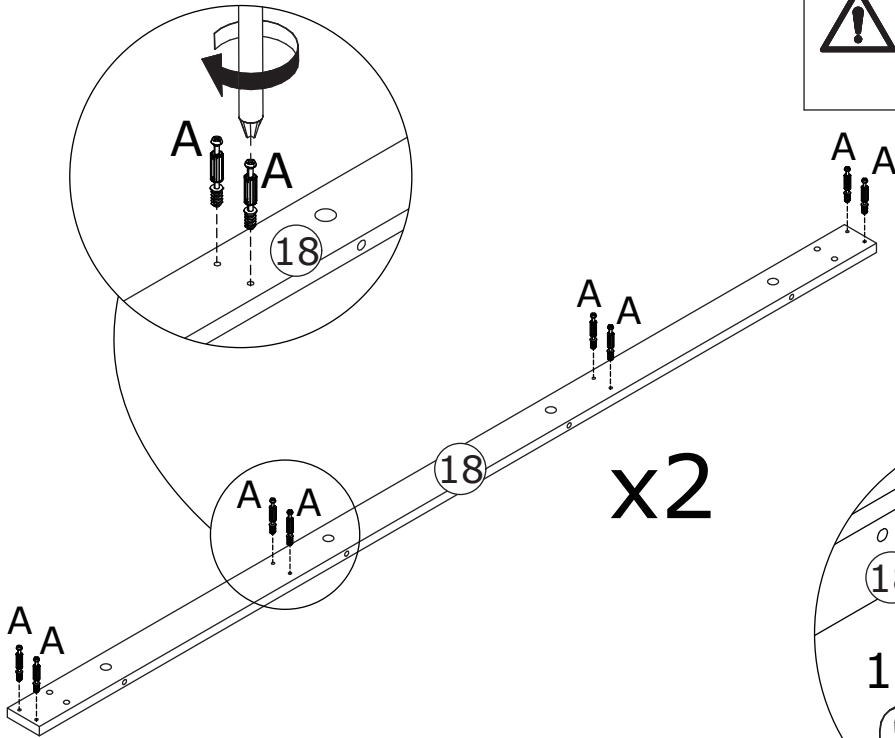
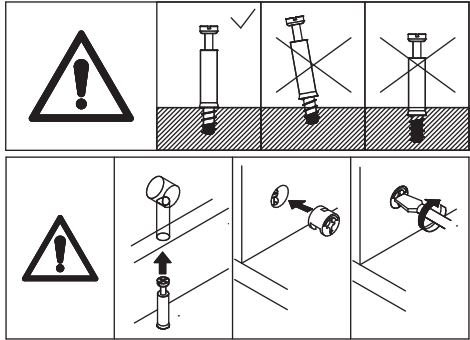
Secure plates 7, 8 and 9 to plate 3 using screw (C).



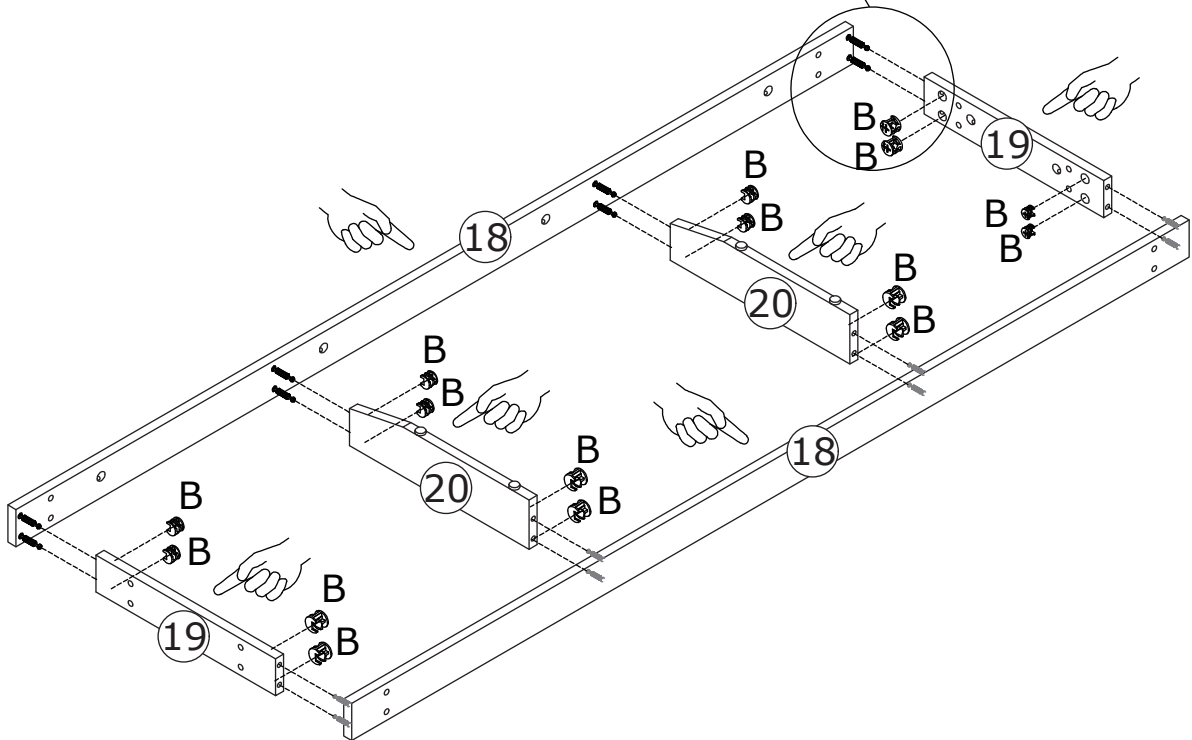
16



Screw eccentric rod (A) onto plate 18.



Connect plate 19 and 20 to plate 18, then tighten by turning cam lock (B) clockwise.

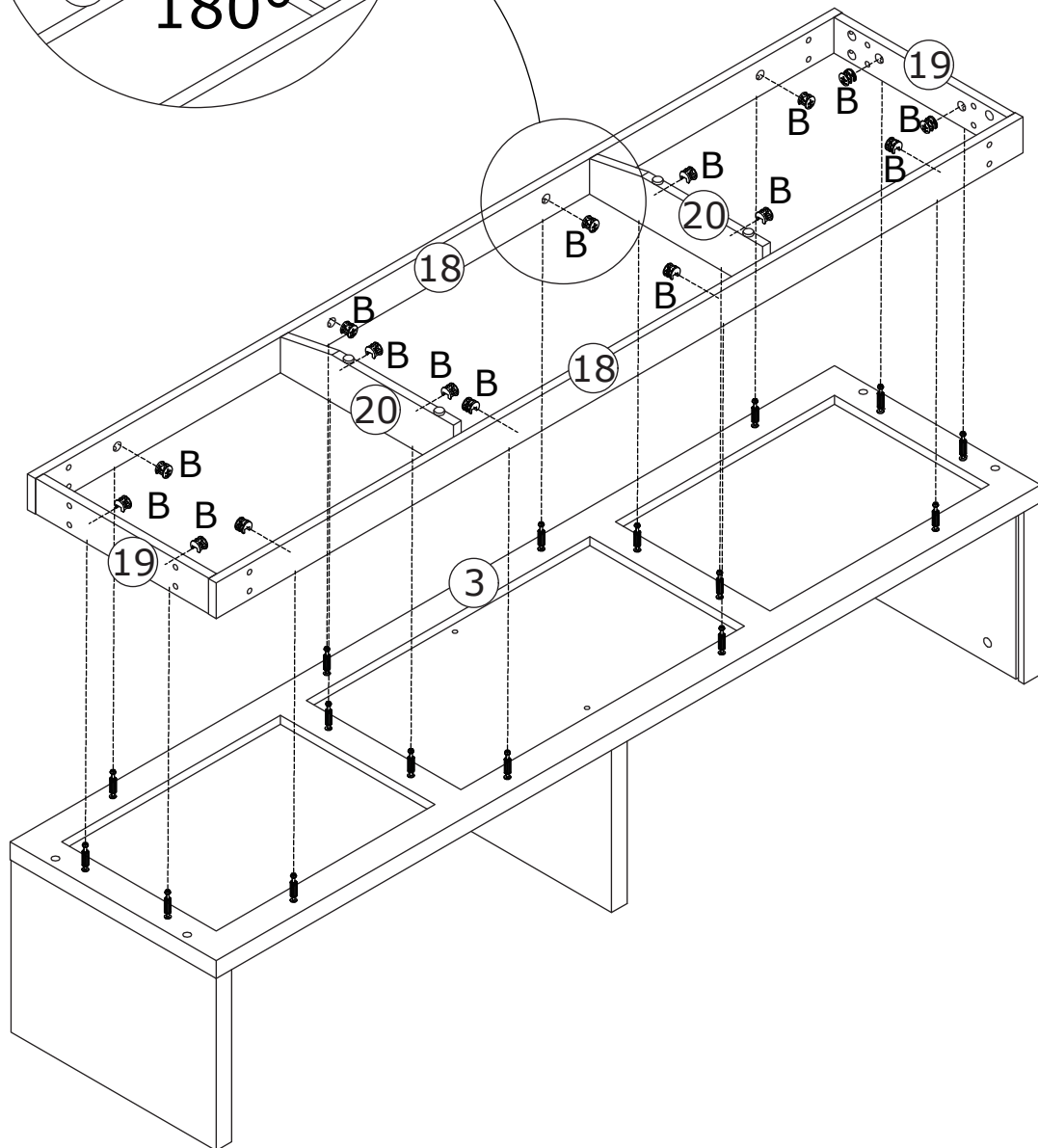
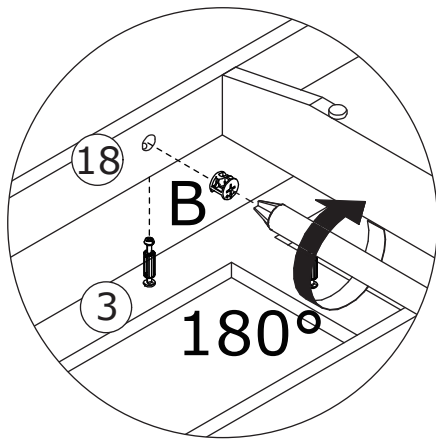
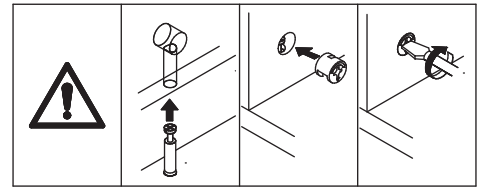
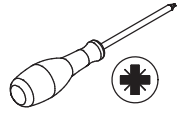


17

B x 16

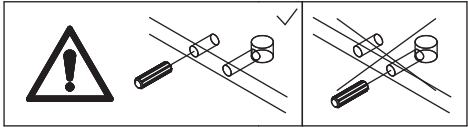
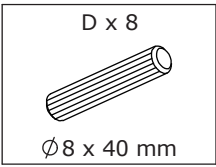


Ø 15 x 10 mm

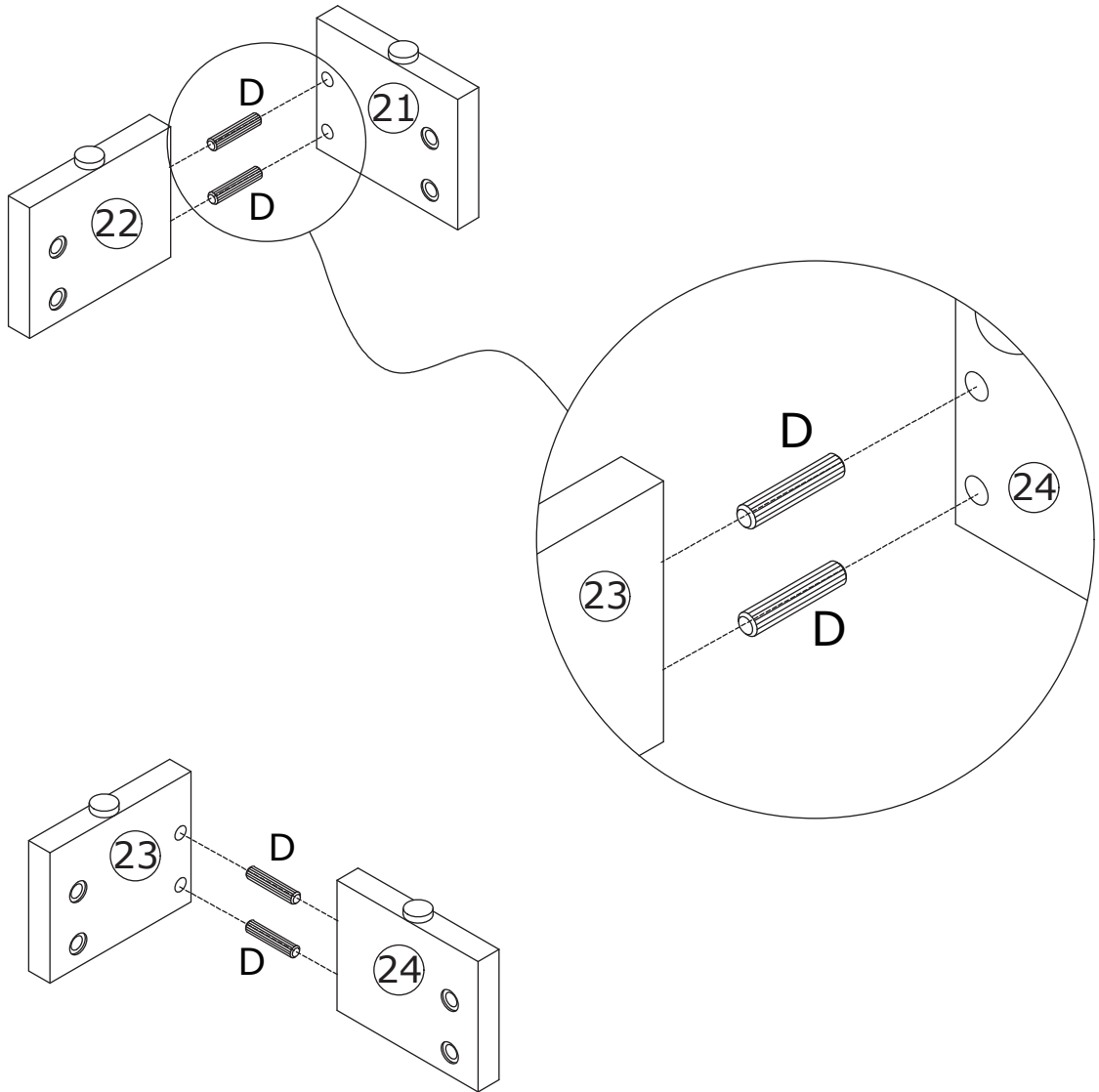


Connect the component to plate 3, then tighten by turning cam lock (B) clockwise.

18

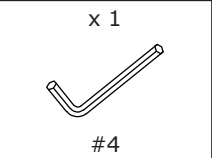


Connect plate 21 and 22 using wooden dowel (D).  
Connect plate 23 and 24 using wooden dowel (D).

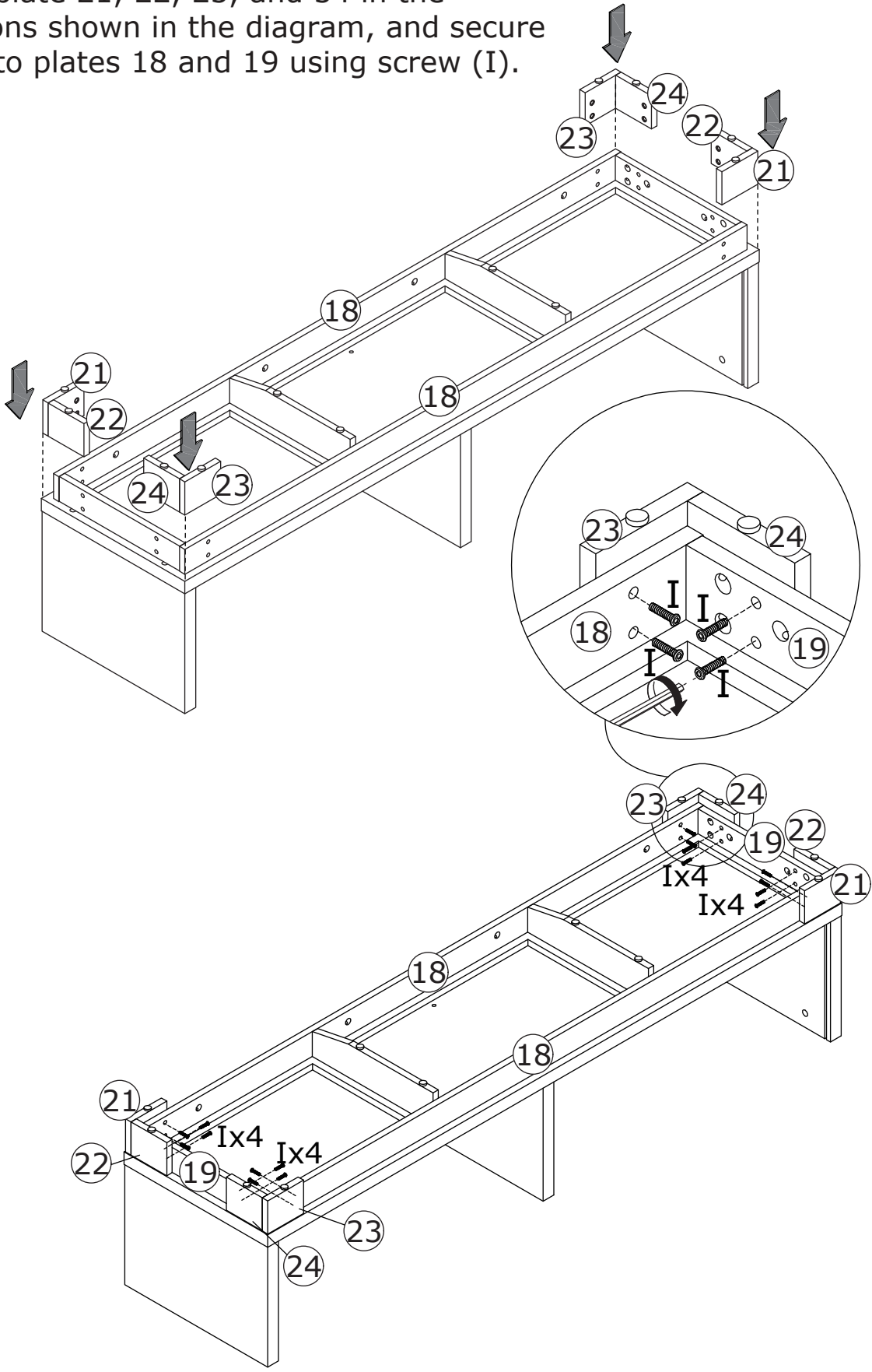


x2

19



Place plate 21, 22, 23, and 34 in the positions shown in the diagram, and secure them to plates 18 and 19 using screw (I).

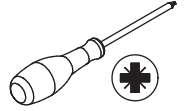


20

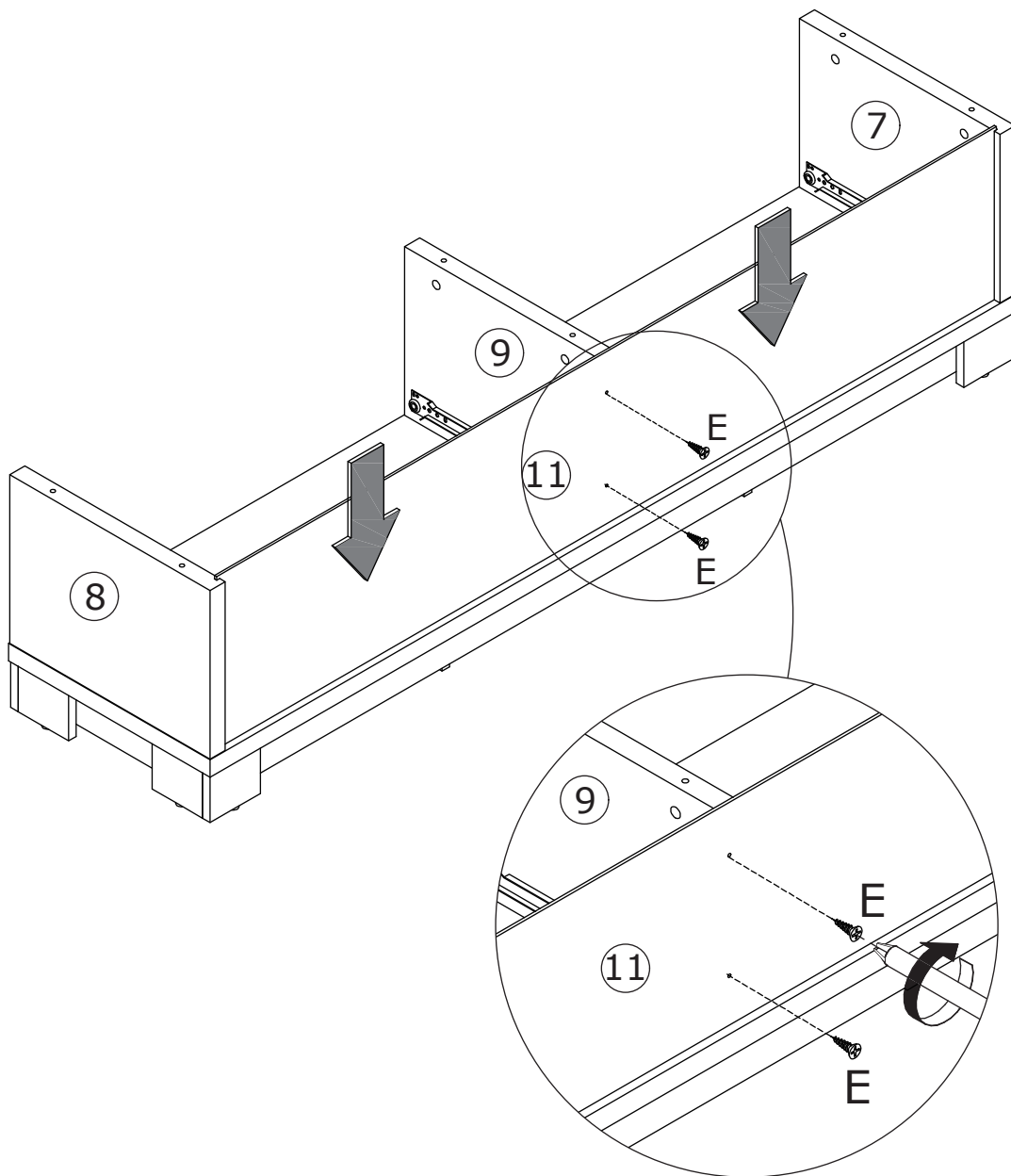
E x 2



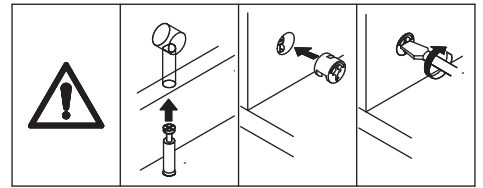
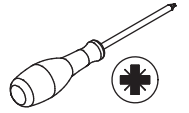
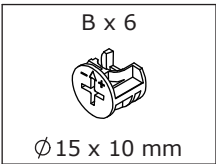
M3.5 x 14 mm



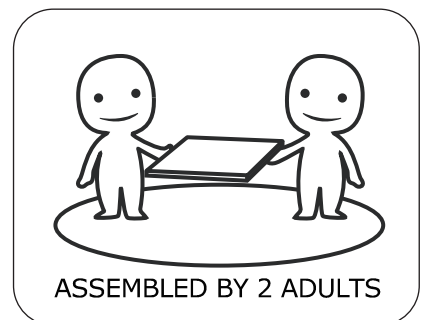
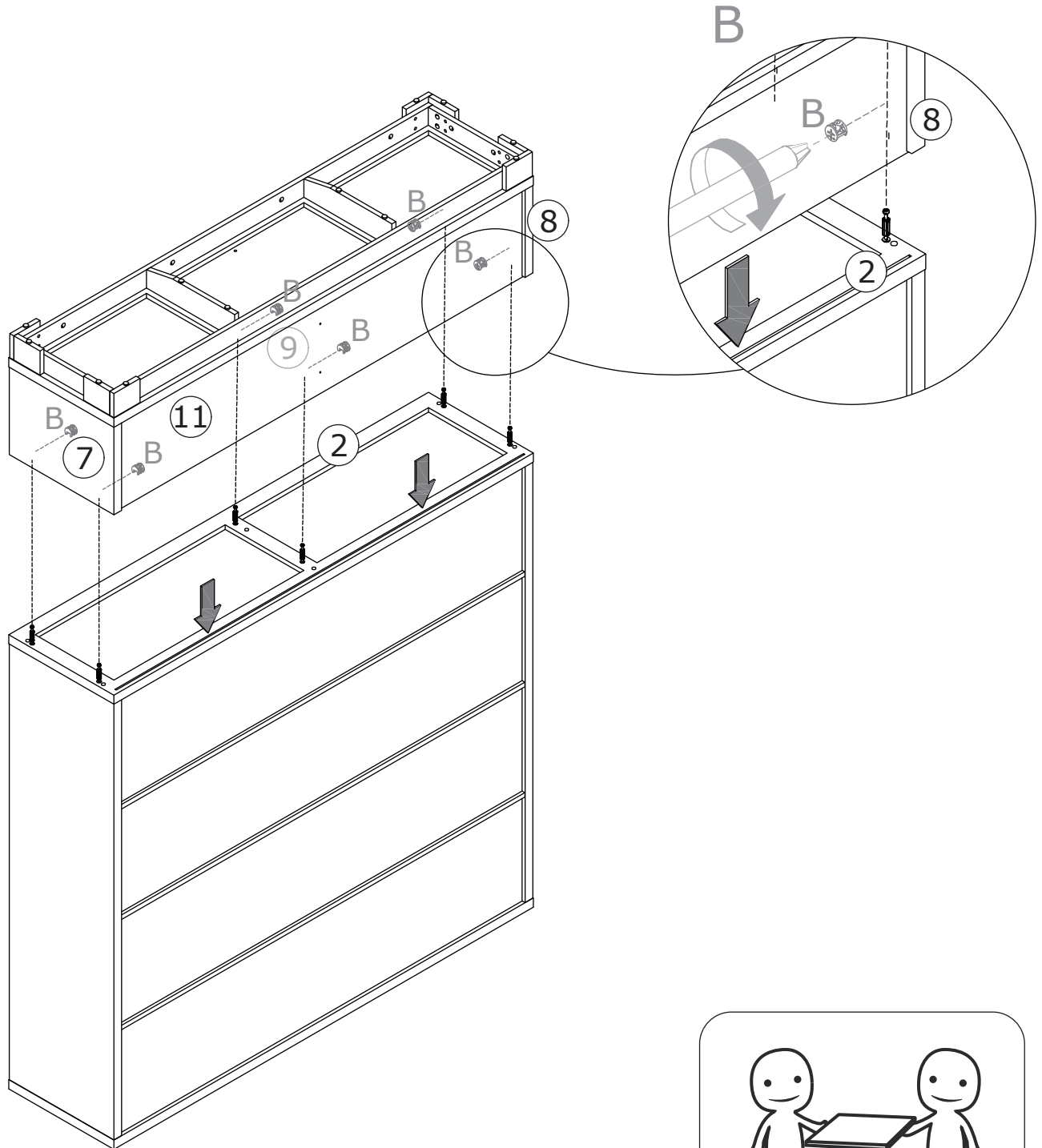
Insert plate 11 into the available slots and secure it to plate 9 using screw (E).



21

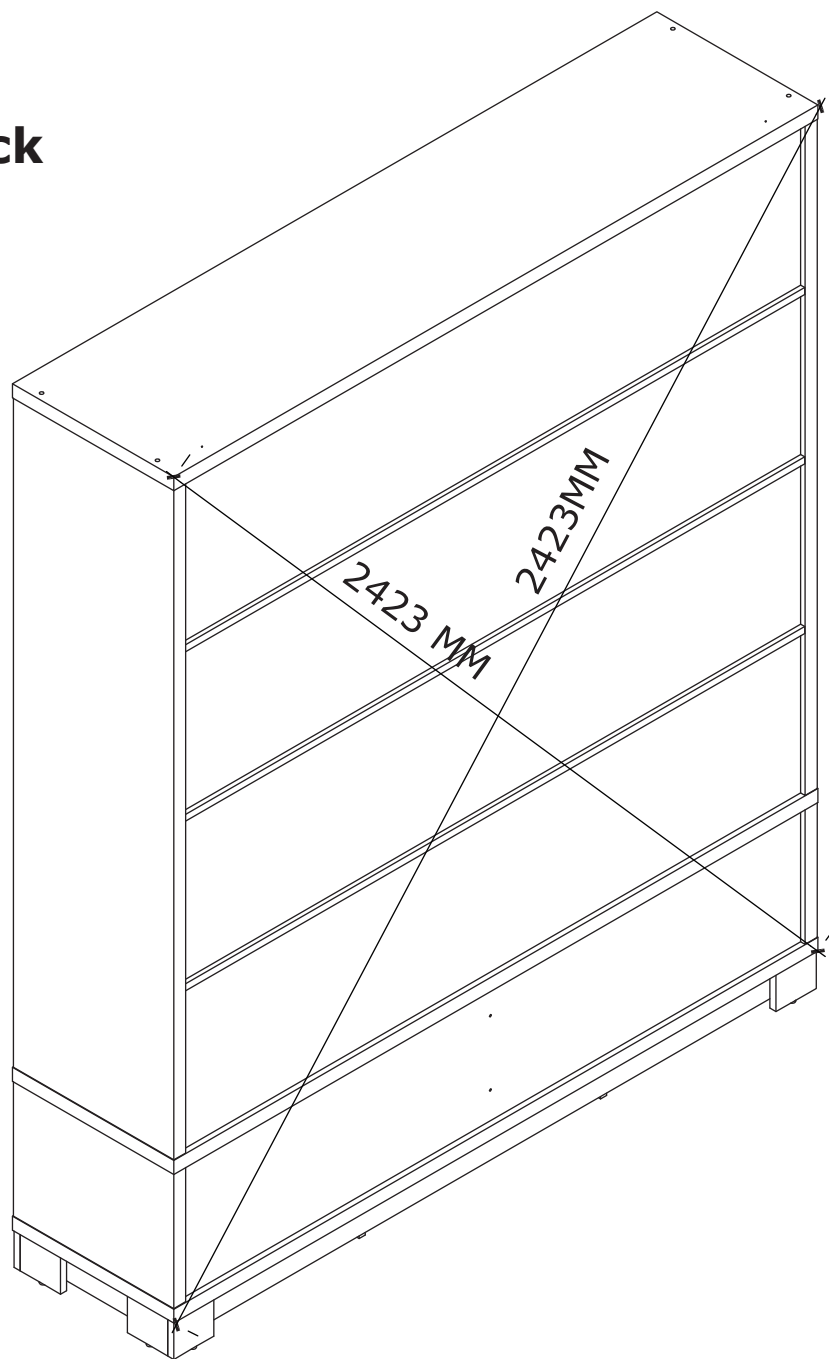


Connect plate 7, 8, and 9 to plate 2, then tighten by turning cam lock (B) clockwise.



22

**Flip to back**

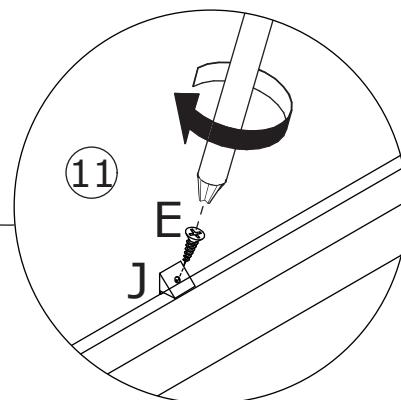
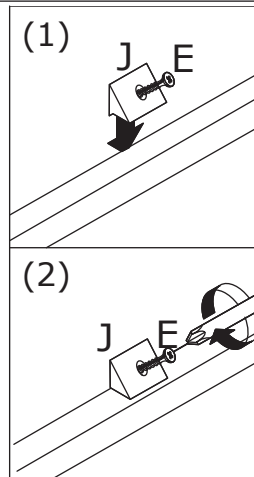
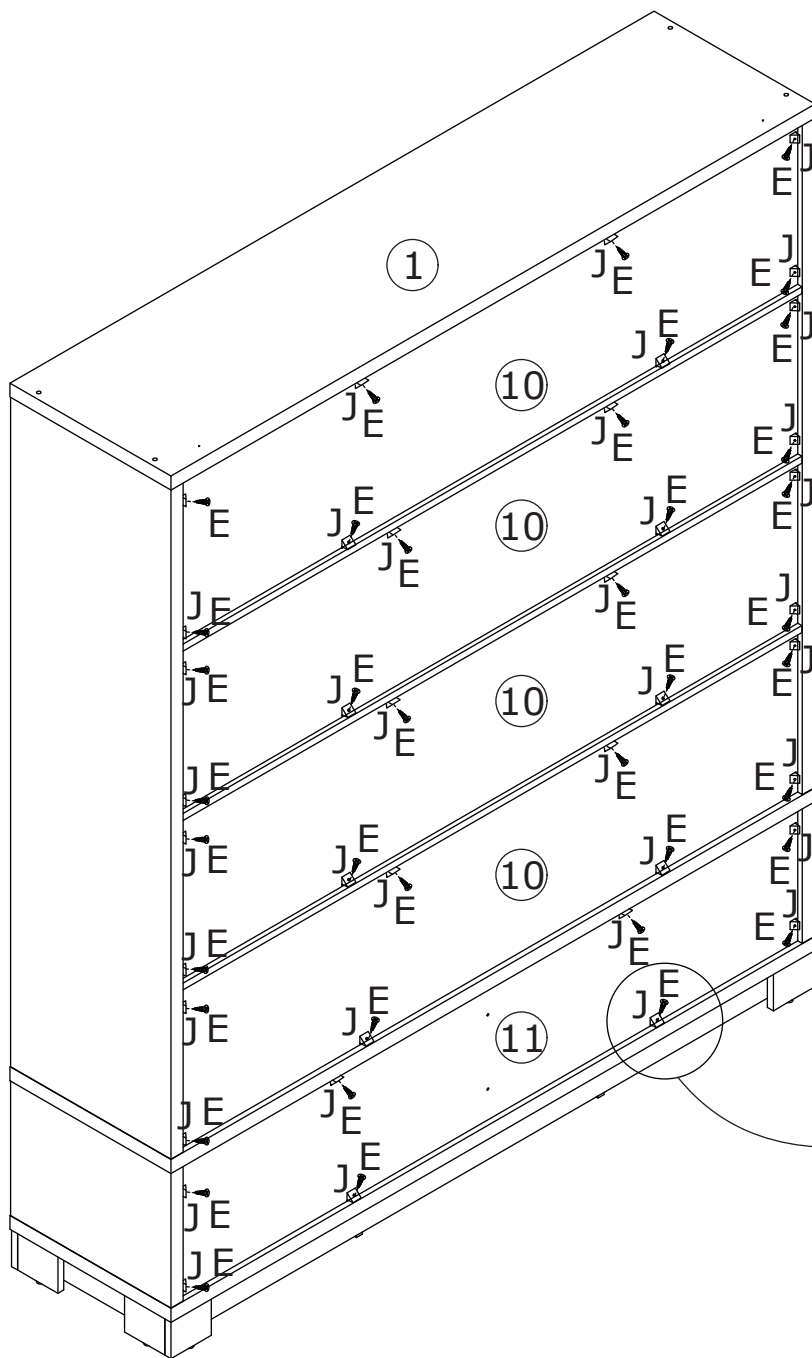
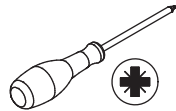


Measure this diagonal with a tape measure to ensure it is the same length before proceeding to the next step of installation.

23

E x 40  
M3.5 x 14 mm

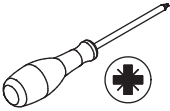
J x 40  
BBK



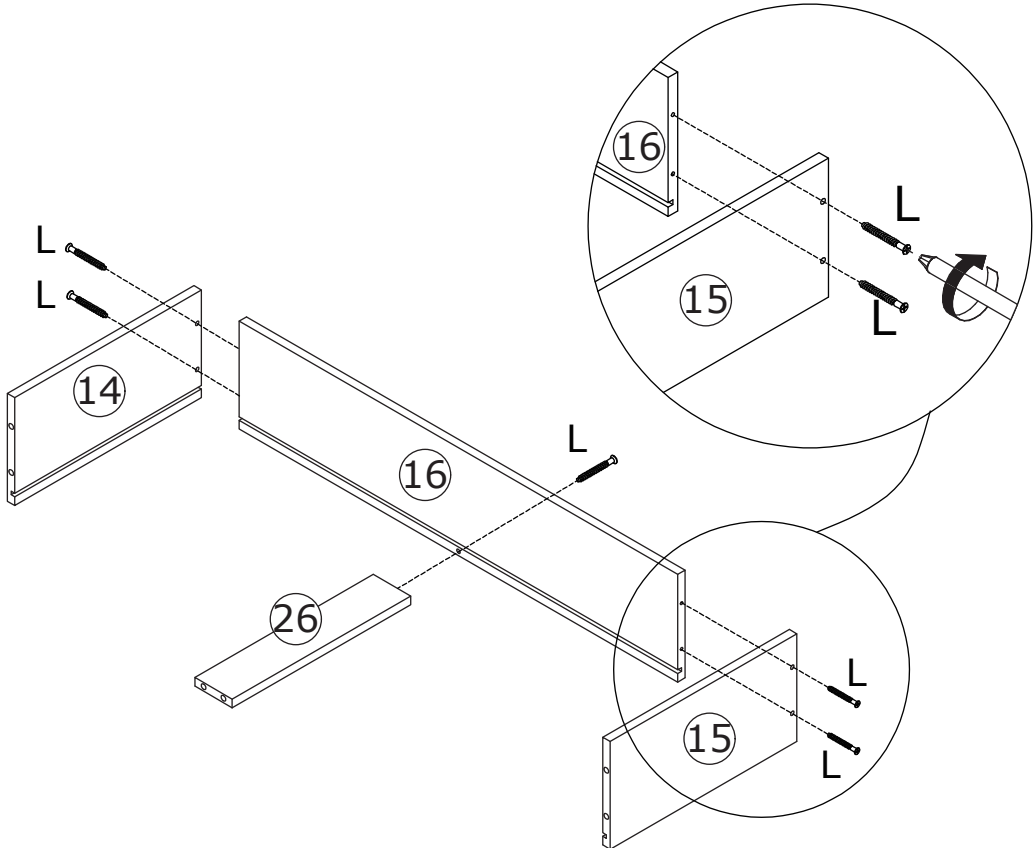
Insert clip (J) into the backplate slots and secure using screw (E).

24

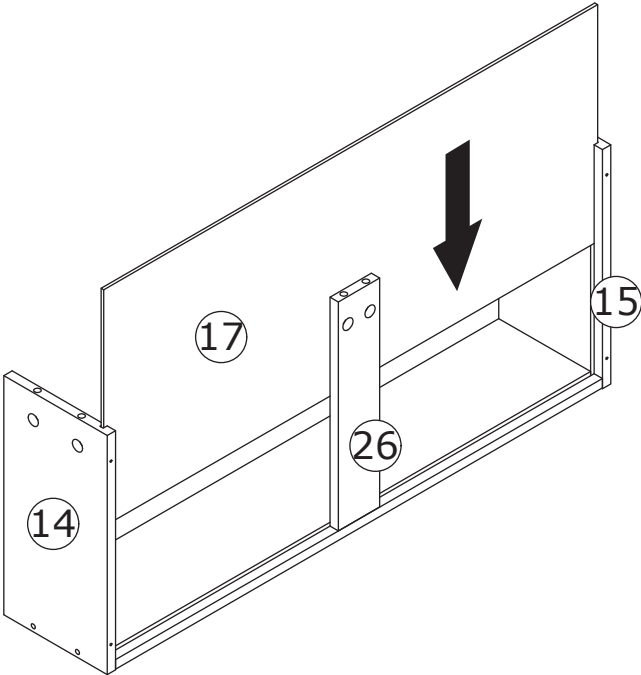
L x 10  
M5 x 40 mm



Secure plate 14, 15 and 26 to plate 16 using screw (L).

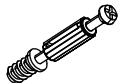
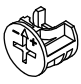


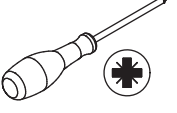


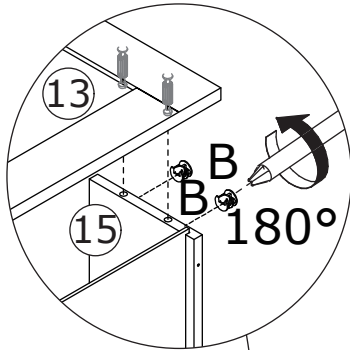
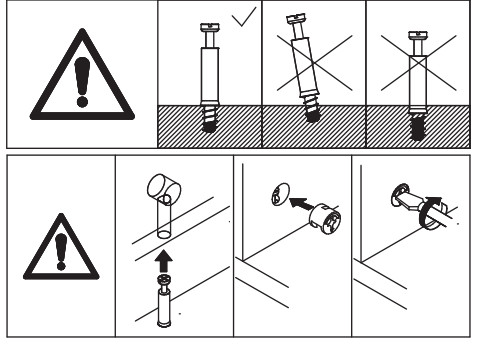
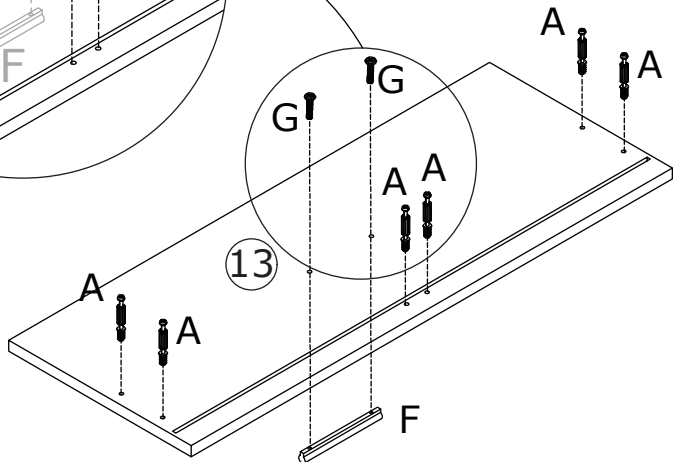
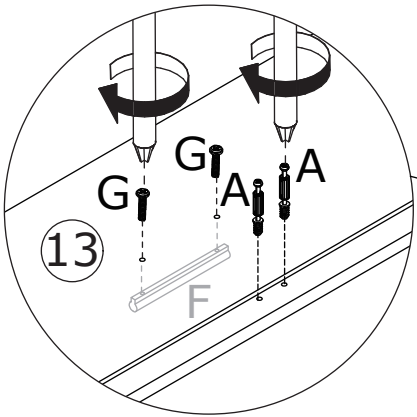
Insert plate 17 into the available slots.



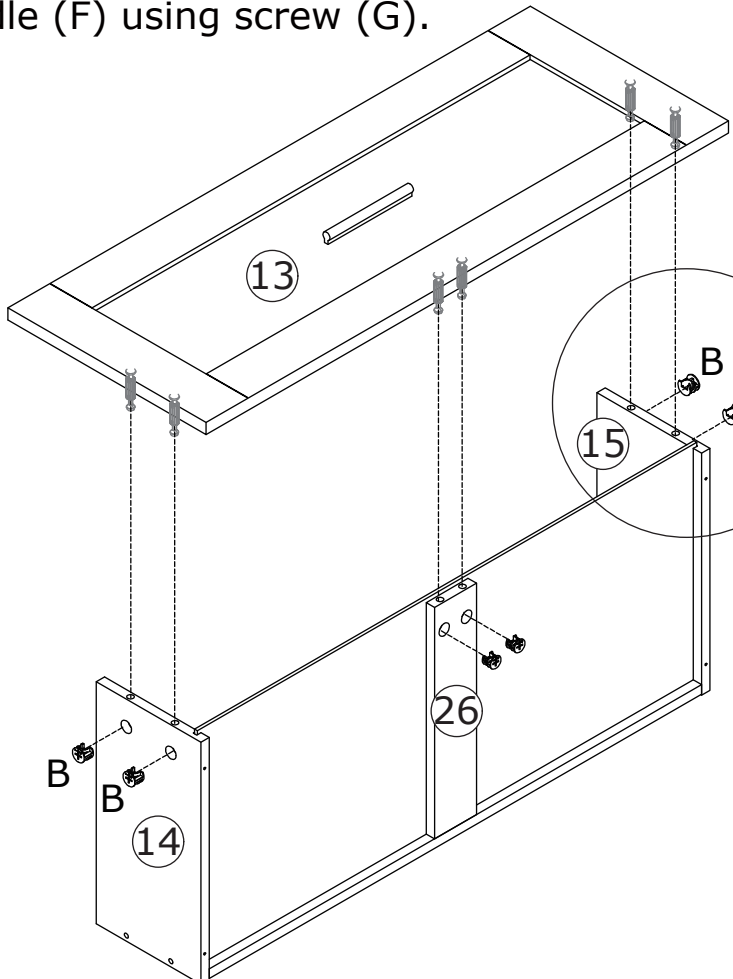
x2

25

A x 12  M5 x 42 mm	B x 12  Ø15 x 10 mm	F x 2  220-96	G x 4  M4 x 12 mm	
---	--	--	---	---



Screw eccentric rod (A) onto plate 13 and secure handle (F) using screw (G).

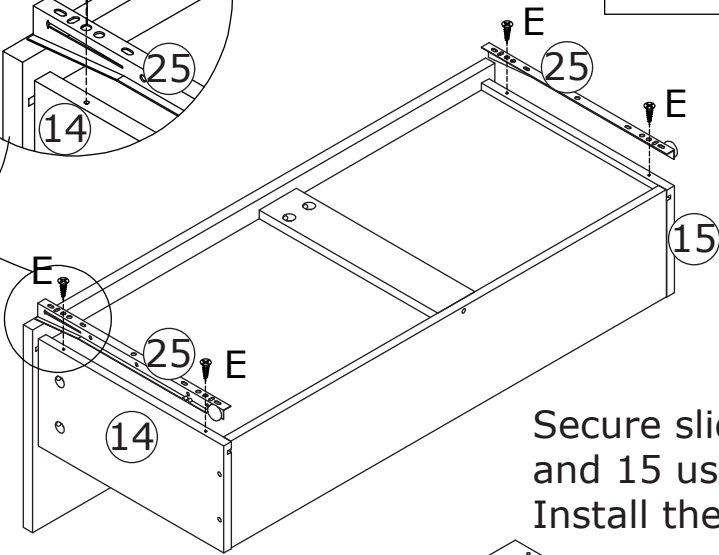
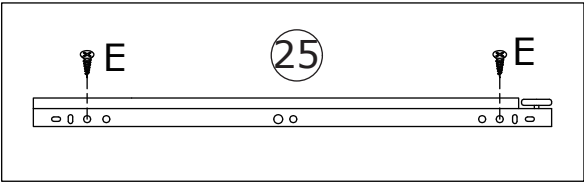
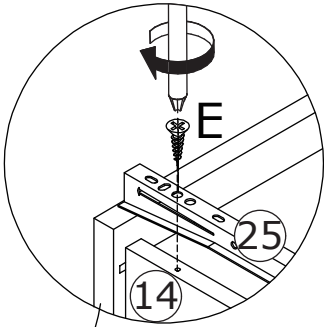
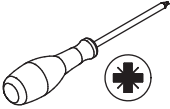


x2

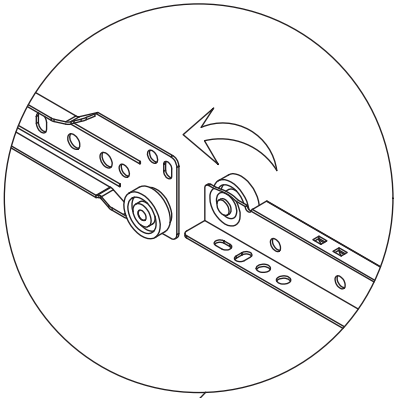
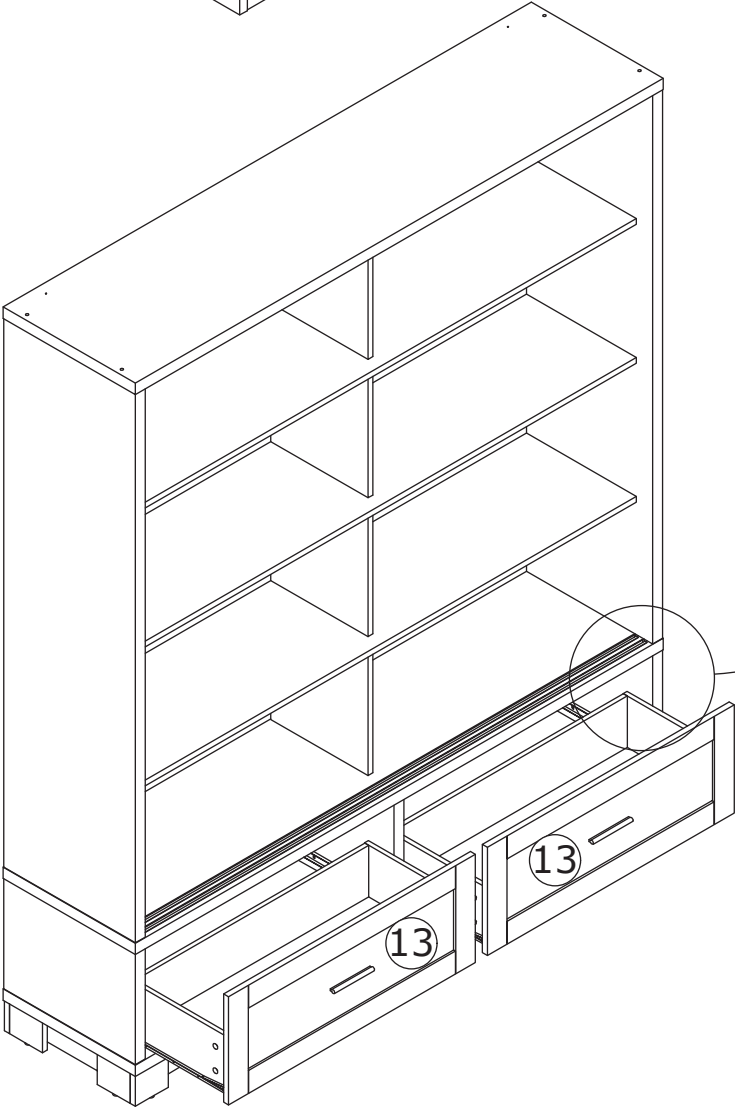
Connect plates 14, 15 and 26 to plate 13, then tighten by turning cam lock (B) clockwise.

26

E x 8  
M3.5 x 14 mm



x2  
Secure slide rail 25 to plate 14 and 15 using screw (E) .  
Install the drawers as shown.



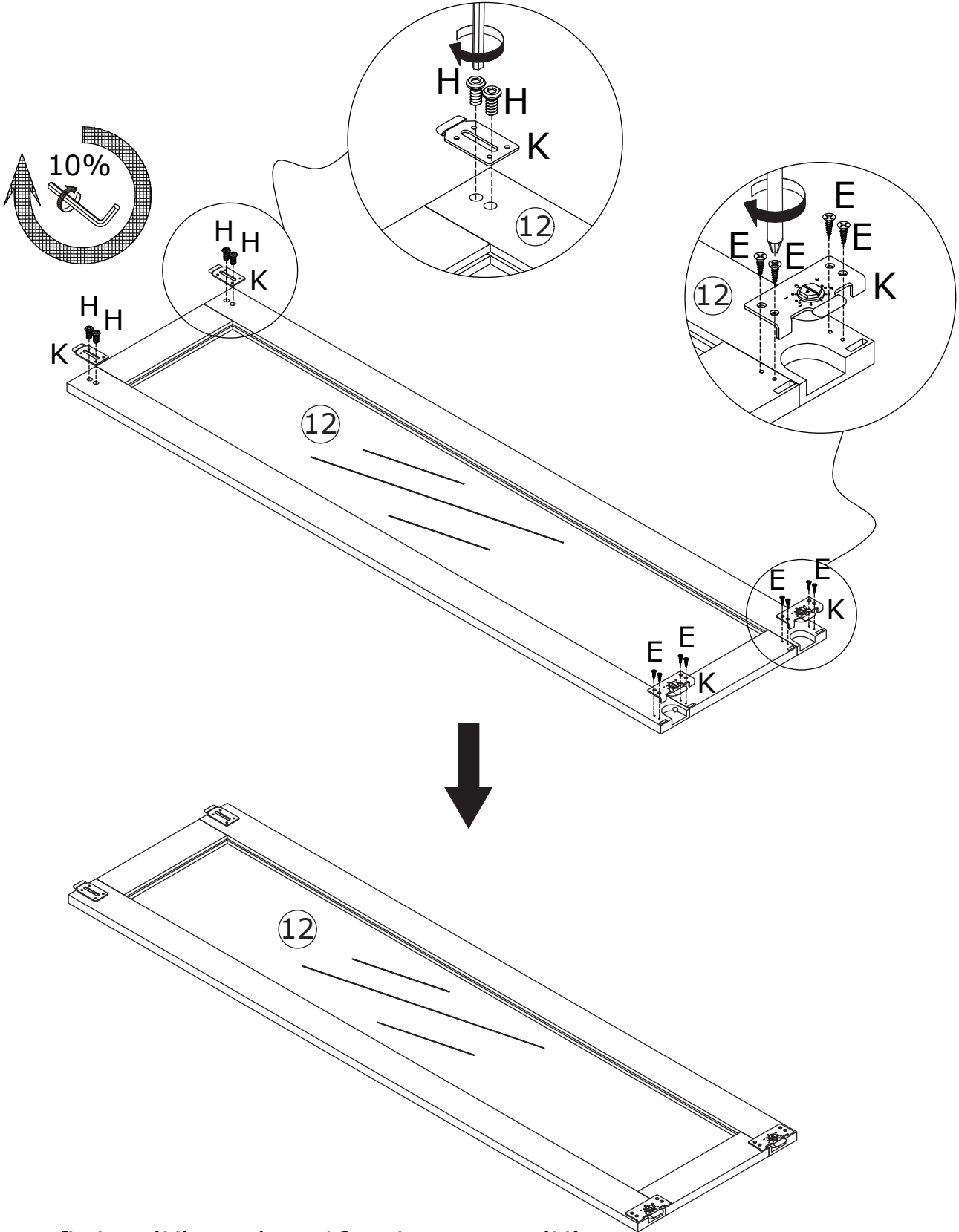
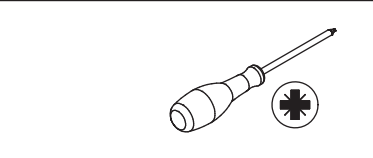
27

H x 16  
M6 x 12 mm

E x 4  
M3.5 x 14 mm

K x 8

x 1  
#4

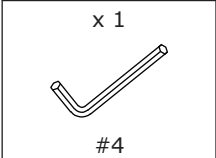


Secure fitting (K) to plate 12 using screw (H).

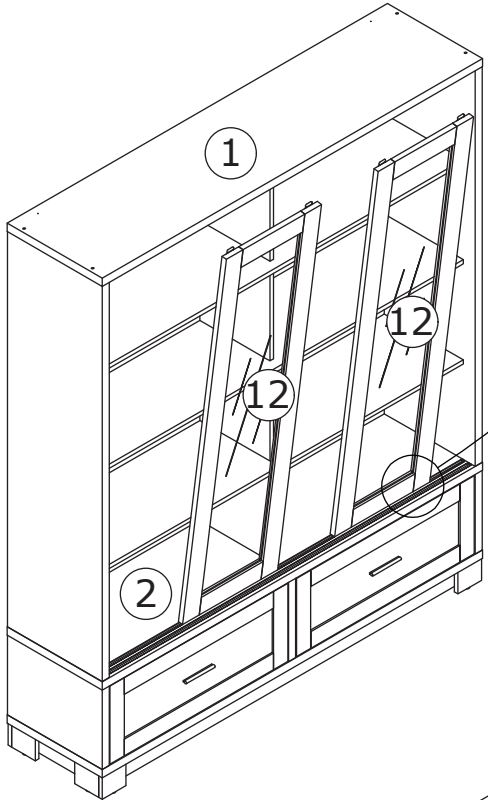
Secure fitting (K) to plate 12 using screw (E).

x4

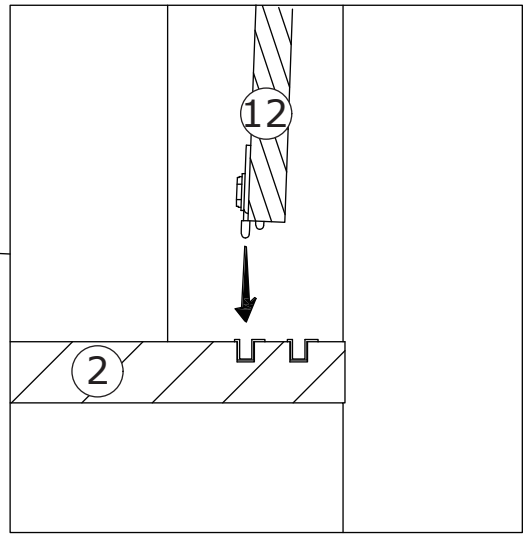
28



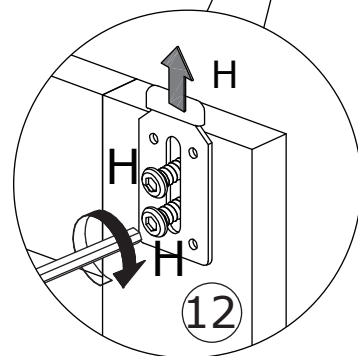
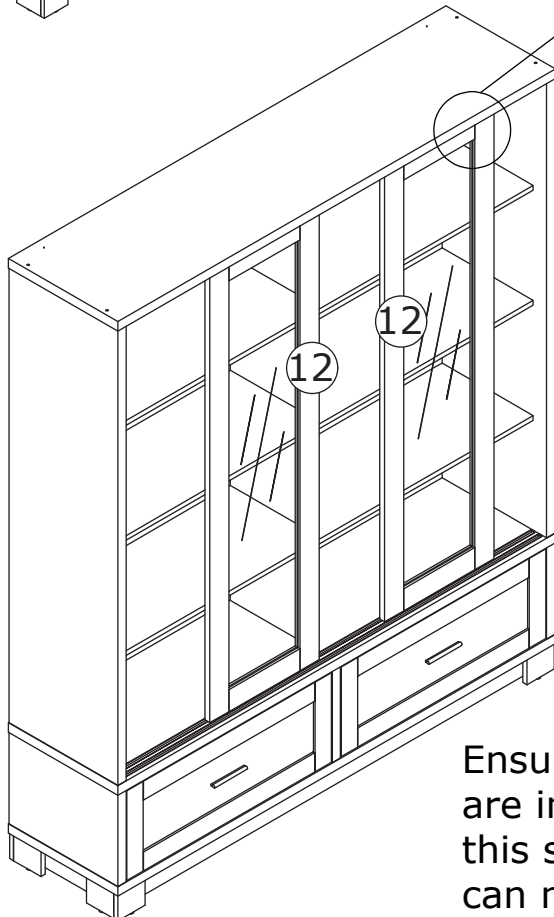
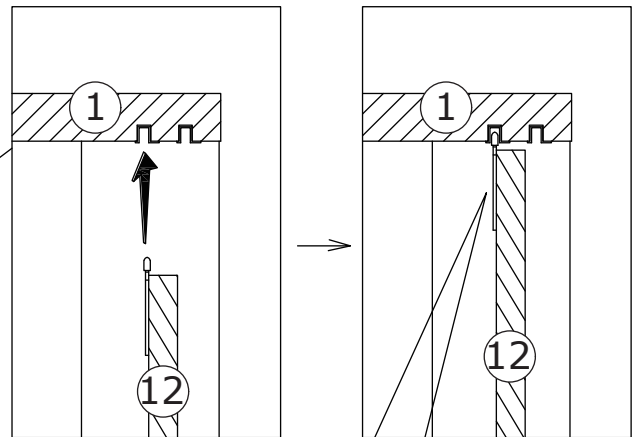
These two door plates are installed on the inner upper and lower tracks.



First, place the lower part in.

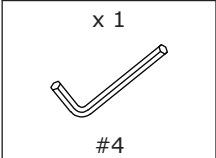


Then, embed the upper part.



Ensure that both the upper and lower parts are inserted into the card slots, and adjust this slider accessory so that the door plates can move left and right normally.

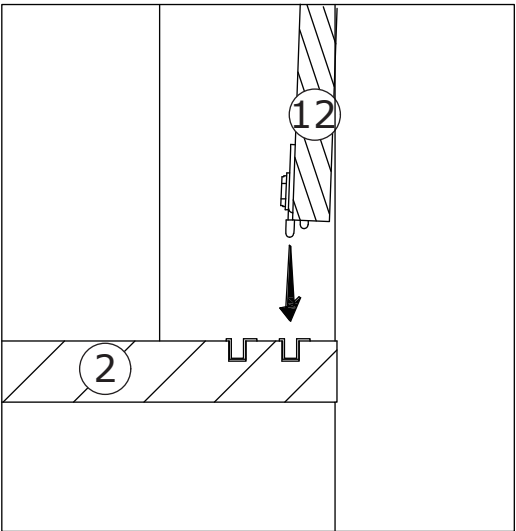
29



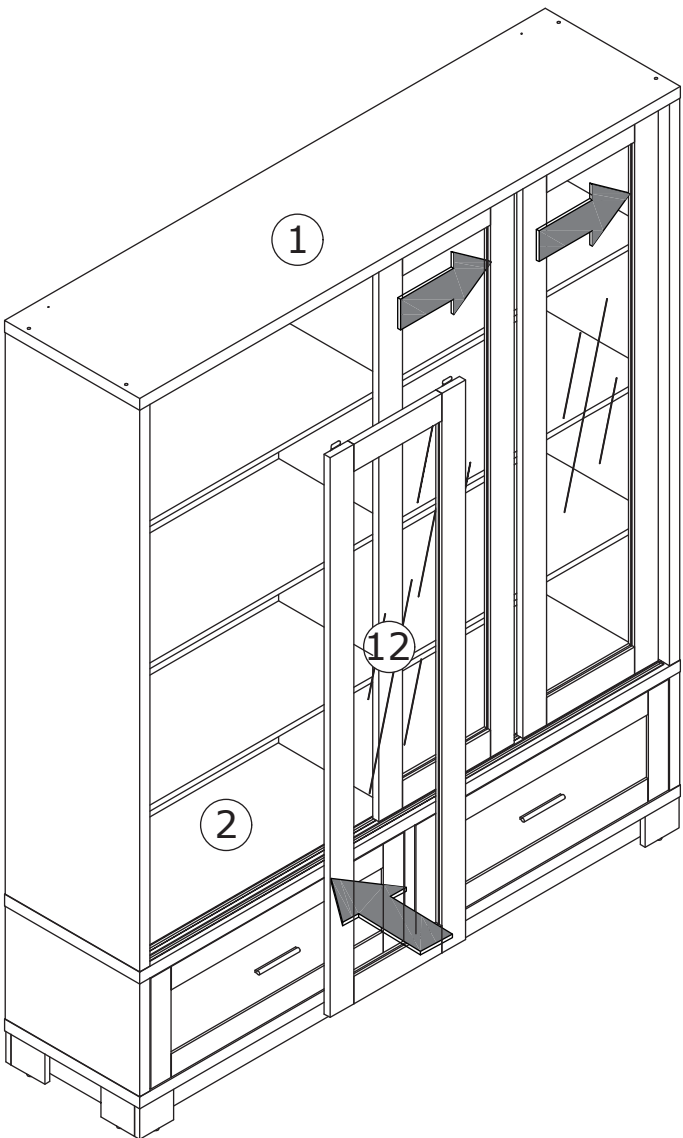
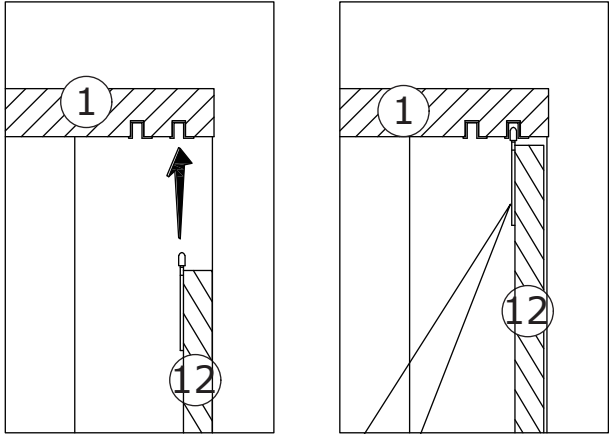
This door plate is installed on the outer upper and lower tracks.

**The same method:**

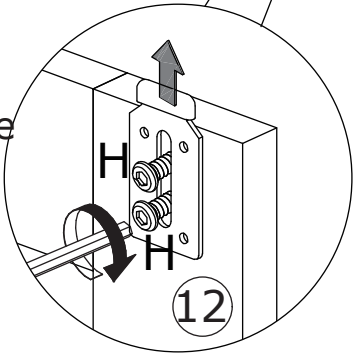
First, place the lower part in.



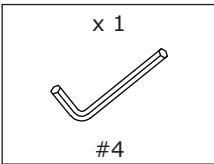
Then, embed the upper part.



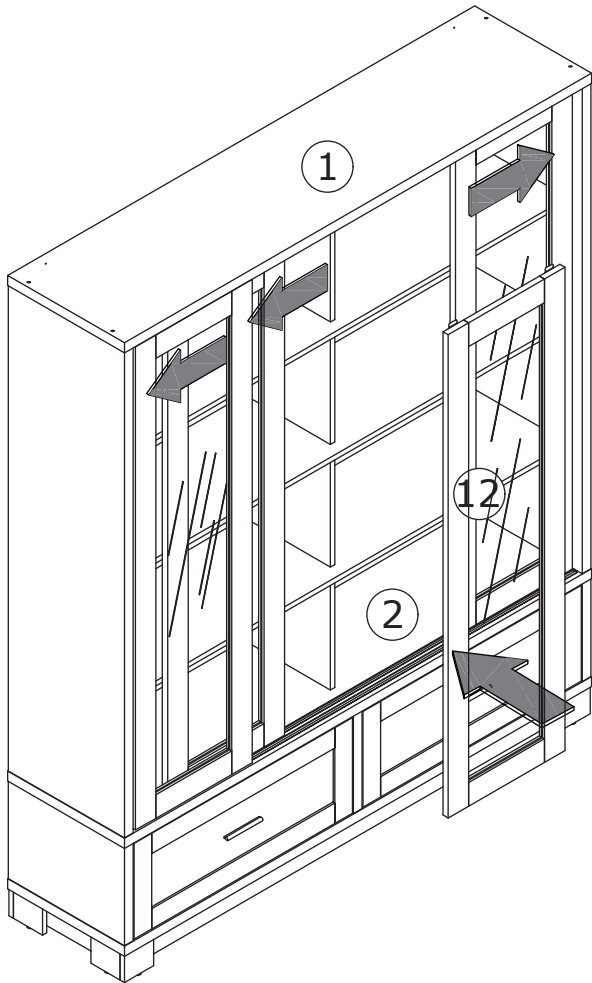
Ensure that both the upper and lower parts are inserted into the card slots, and adjust this slider accessory so that the door plates can move left and right normally.



30

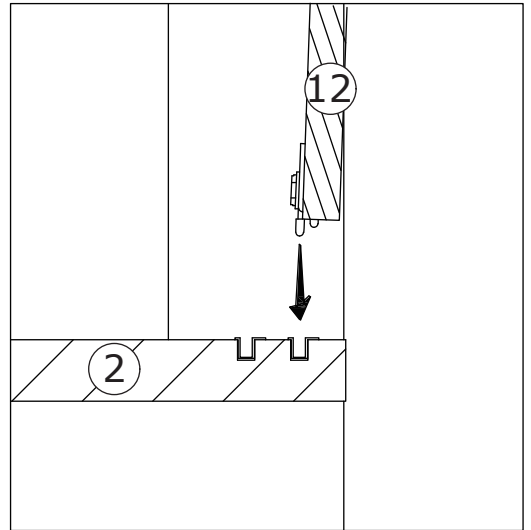


This door plate is installed on the outer upper and lower tracks.

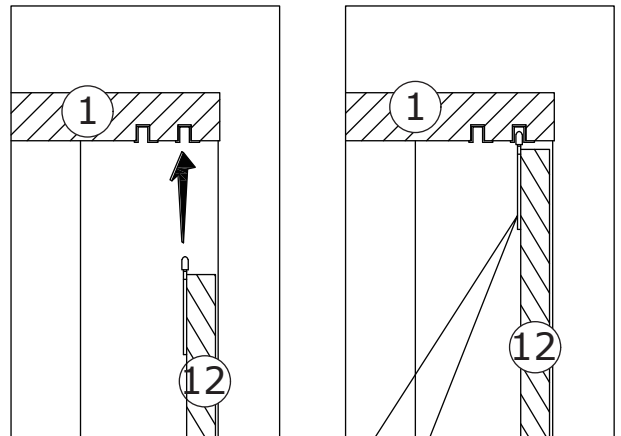


**The same method:**

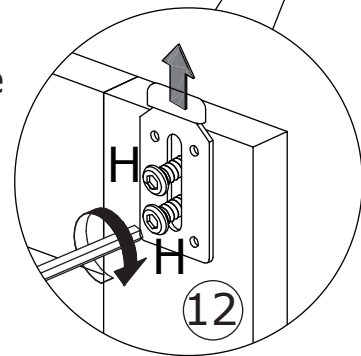
First, place the lower part in.



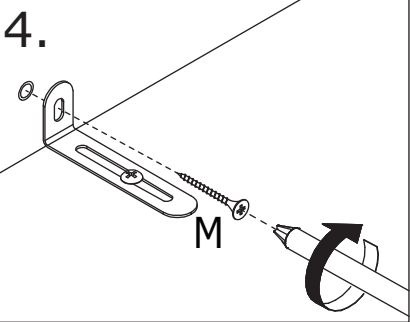
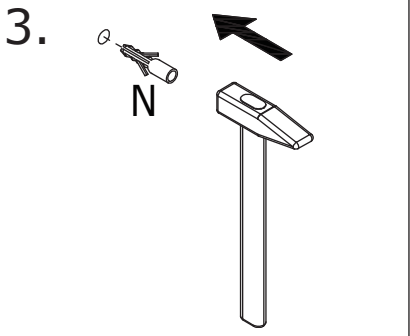
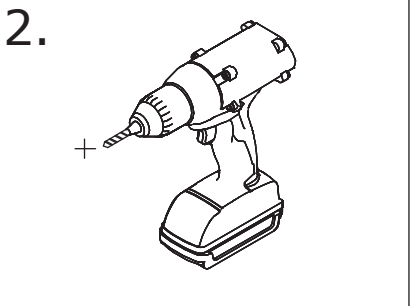
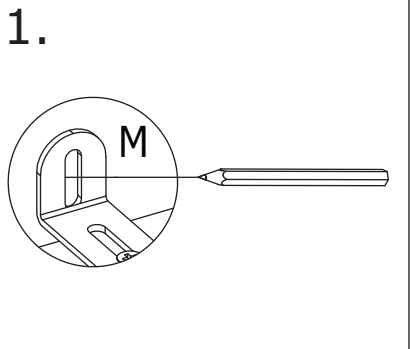
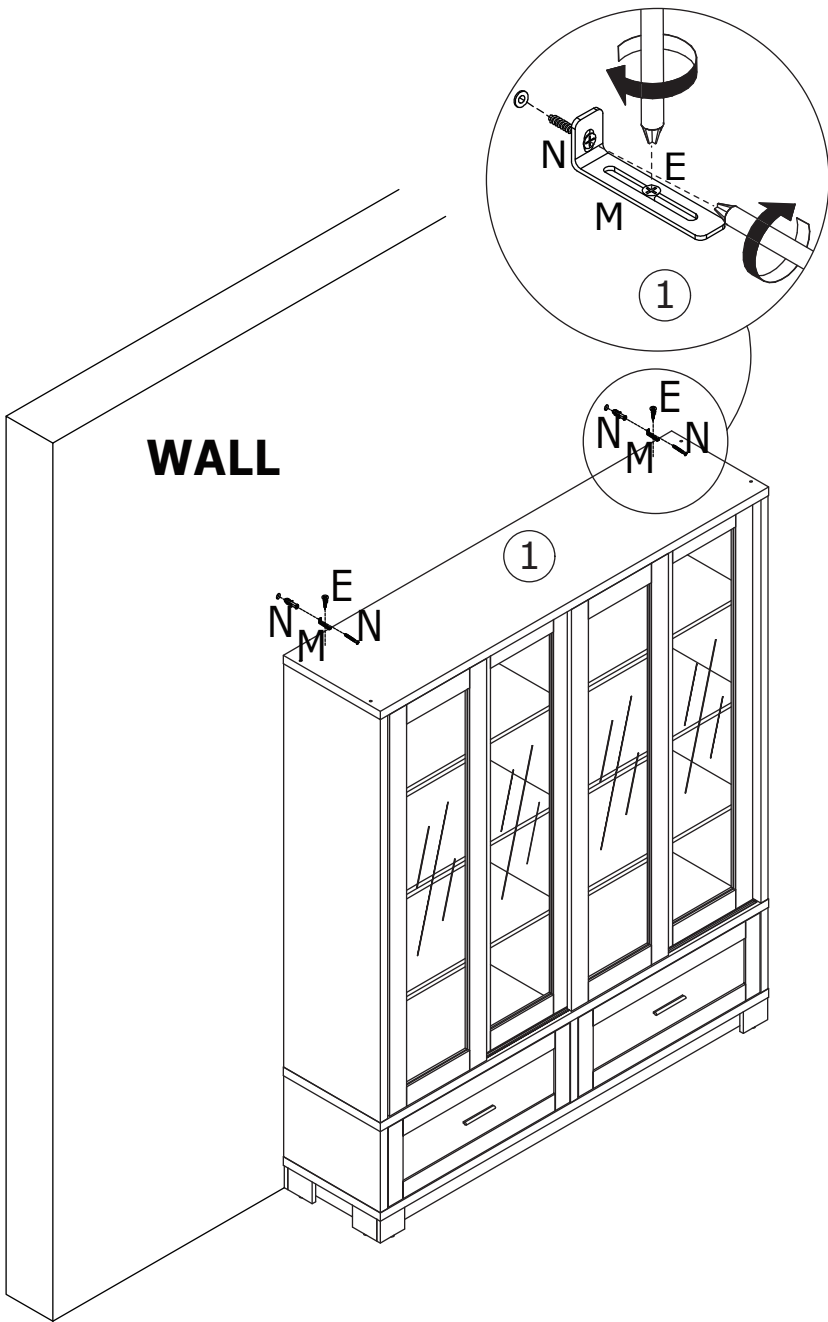
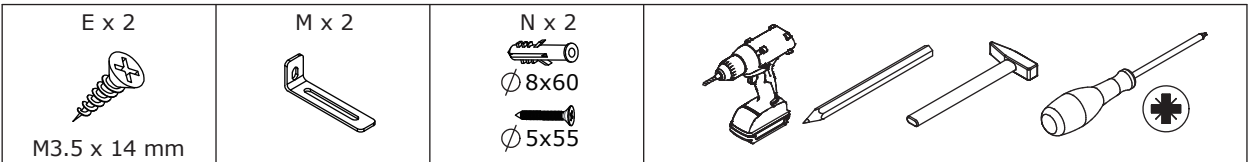
Then, embed the upper part.



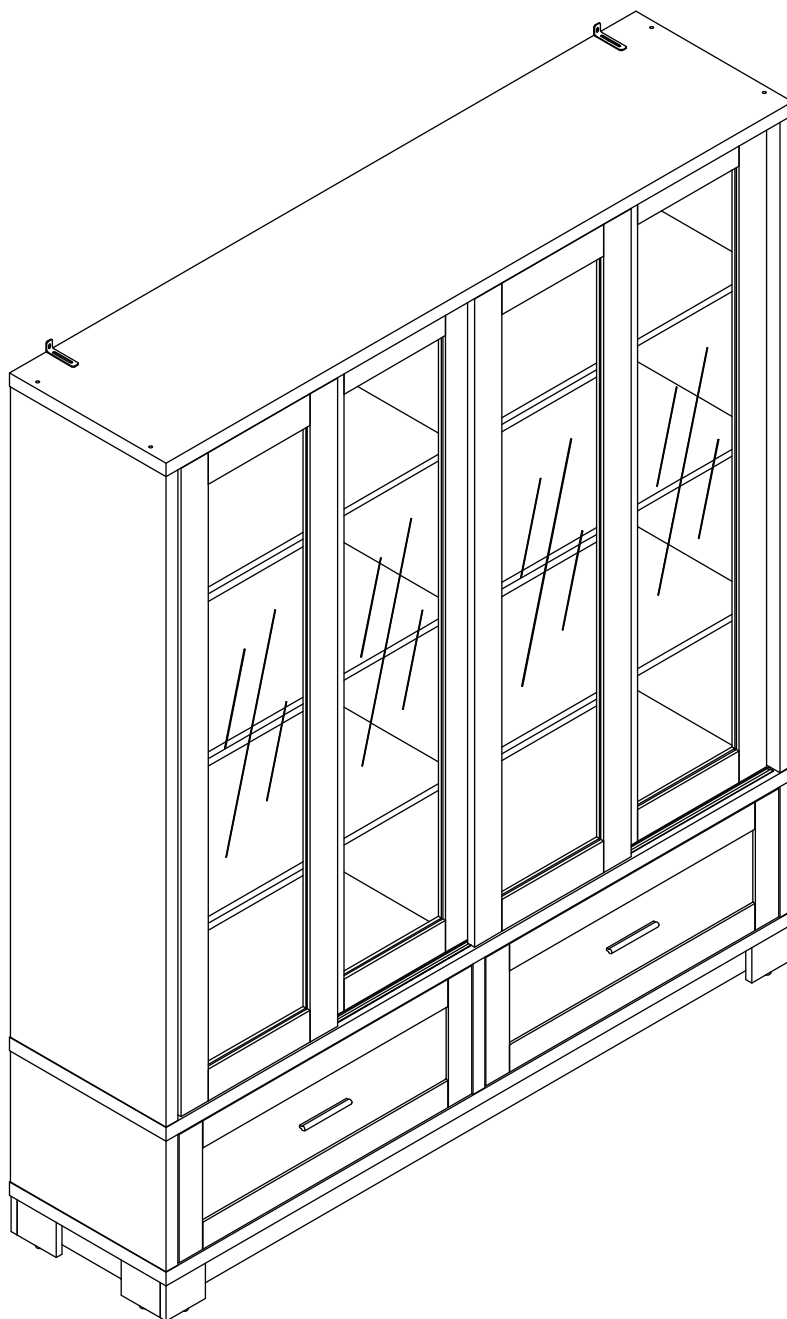
Ensure that both the upper and lower parts are inserted into the card slots, and adjust this slider accessory so that the door plate can move left and right normally.



31

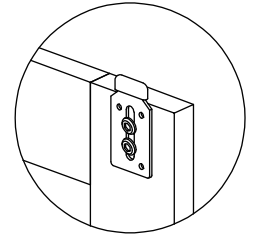
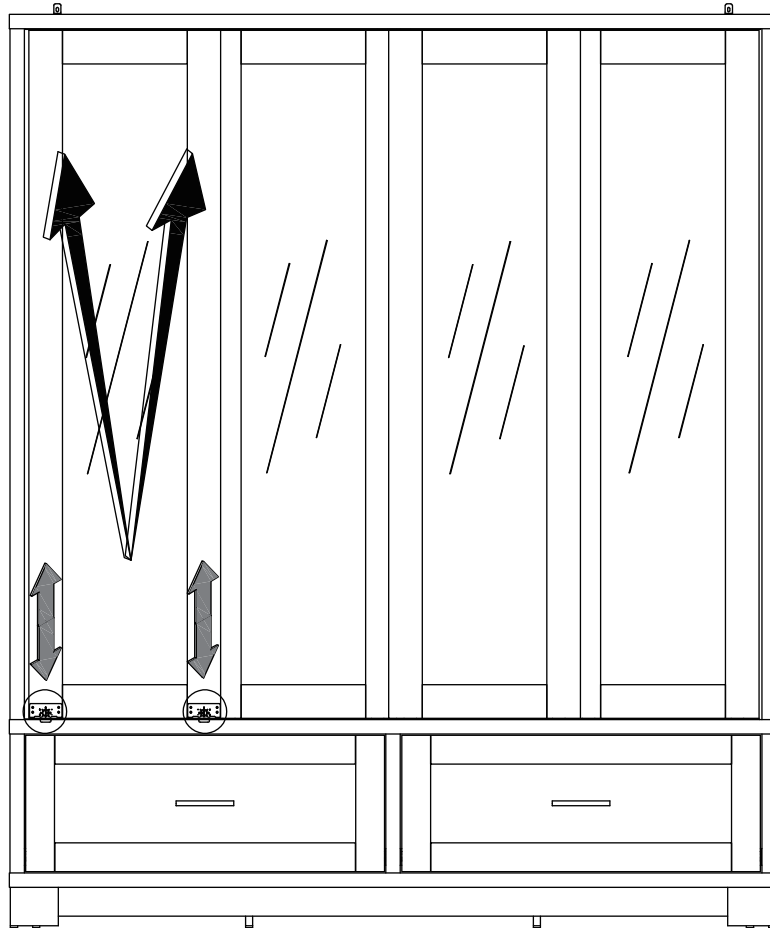
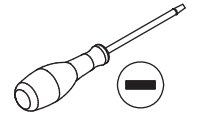


Install the anti-tip device as shown.

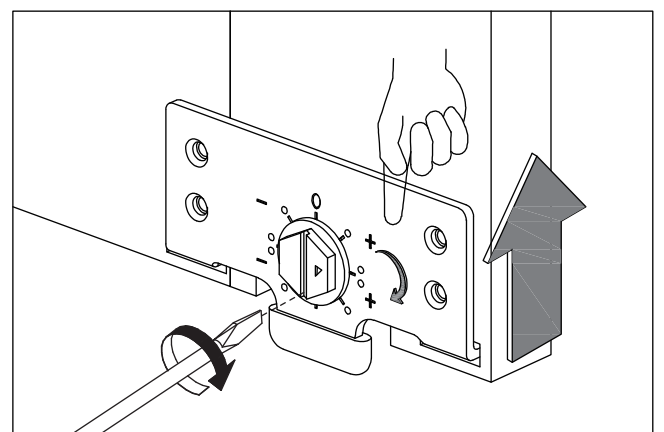
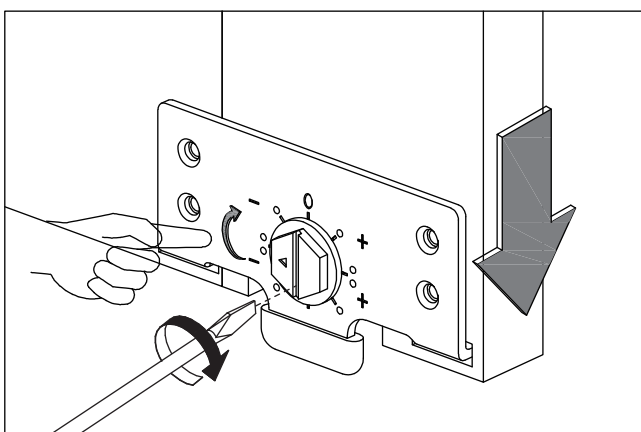


According to this arranged door plates combination.

Please ensure that the floor on which the cabinet is placed is flat.



After the adjustment is completed, tighten these screws inside 100%



Twisting the button inside the door plates can fine tune the height difference between the left and right sides of the door panel to match the gap between them. Using the same method, adjust other door panels.

# WARRANTY

## WARRANTY CLAIMS

- There is a 30-day warranty for broken furniture or any other problems that do not work properly. The warranty will start from the date of purchase which must be verified by proof of purchase.
- Before making a claim, we may be able to answer your query, simply call us. Please leave your purchase order number, along with some details of the problem, if you want a replacement part. We will arrange within 48 hours. If there is out of stock, we will reply with a shipping date.
- The product must be used in accordance with the instructions provided. For health reasons.
- For other reasons, if the furniture needs to be returned, it must be cleaned and dried and operated within 30 days of receipt.

## Type of Warranty Claim

- Failure to follow the furniture instructions will invalidate the warranty. Attention please.
- Does not include damage during installation, but includes damage during transportation.

## Scope of responsibility

- Shall not bear any responsibility for misuse or user damage and / or loss of parts during the installation of furniture.
- After using, the damage and scratches of the furniture are not covered by the warranty.

## The Warranty Relates to All Bought in The Us and Covers The Following Areas

- Sheet parts: 1 month from the date of purchase.
- Electrical parts: 1 month from the date of purchase.

# RETURNS

## CHANGED YOUR MIND AND NEED TO RETURN YOU ITEM?

### PLEASE FOLLOW THE BELOW INSTRUCTIONS:

- If you have purchased and have simply changed your mind, follow the retailer's instructions for returns.

### DEFECTIVE ITEMS

- If your item is defective in any way, i.e. it doesn't work but you can't identify why, in the first instance, please call us.

### DAMAGED ITEMS

- If you receive an order with obvious shipping damage from the retailer, then we suggest the delivery is refused. If the delivery has been accepted and then shipping damage is found, please follow the specific instructions advised by the retailer.  
In all circumstances please save all packaging material and paperwork for the order. Please be aware that if you dispose of packaging material or attempt to return the merchandise without contacting the fulfiller, you jeopardise your chances of making a claim, and you may not receive a credit for the return.

### AFTER-SALES CONTACT



adelahu@fufugaga.com



208-820-0068