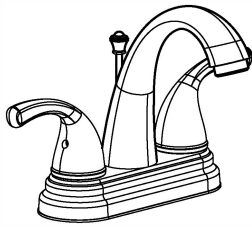


INSTRUCTION



4" Two Handles Lavatory Faucet
Model NO.:UF46210
UF46213
UF46215

Tools:

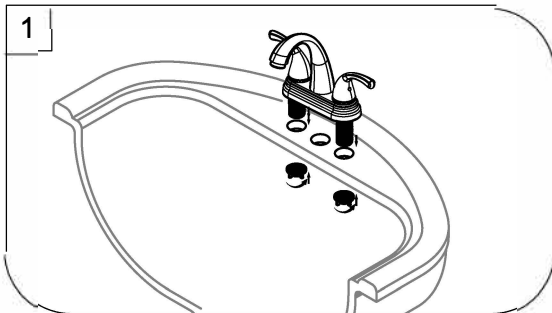
- Adjustable Wrench
- Pliers
- Pipe Wrench
- Screwdriver
- Teflon Tape



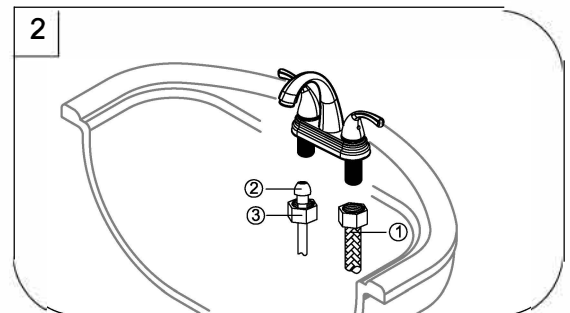
Maintenance:

Your new lavatory faucet is designed for years of trouble-free performance. Keep it looking new by cleaning it periodically with a soft cloth. Avoid abrasive cleaners, steel wool and harsh chemicals as these will dull the finish and void your warranty.

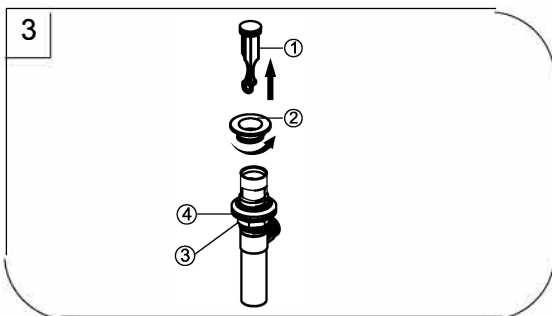
Preparation / Assembly



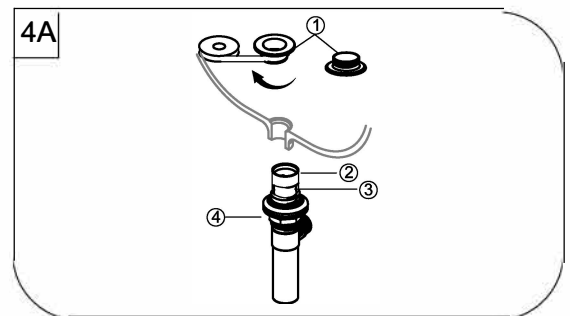
1
 Shut off water supplies. Remove old faucet. Place new faucet in position of sink. Secure new faucet using mounting nuts provided.



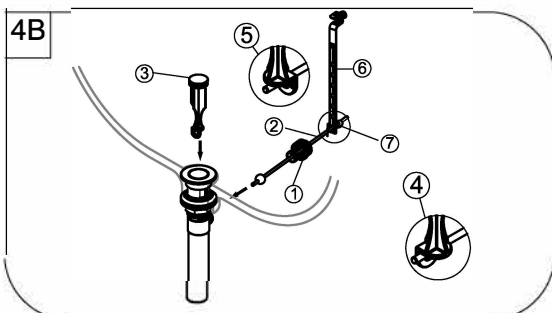
2
 Make connections to water lines. Use 1/2" I.P.S. faucet connections (1) or use supplied coupling nuts (3) with 3/8" O.D. ball-nose riser(2) . Use wrenches to tighten connections. Do not overtighten.



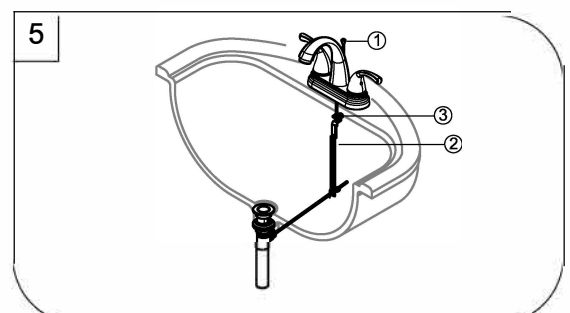
3
 Remove stopper (1) and flange (2). Screw nut (3) all the way down. Push gasket(4) down.



4A
 Apply plumber's putty to the underside of flange(1). Apply teflon tape to threads at the bottom of flange(1). Insert body (2) into sink. Screw flange onto body. Pivot hole (3) must face the back of the sink. Tighten nut/gasket (4), do not overtighten. Clean excess putty.



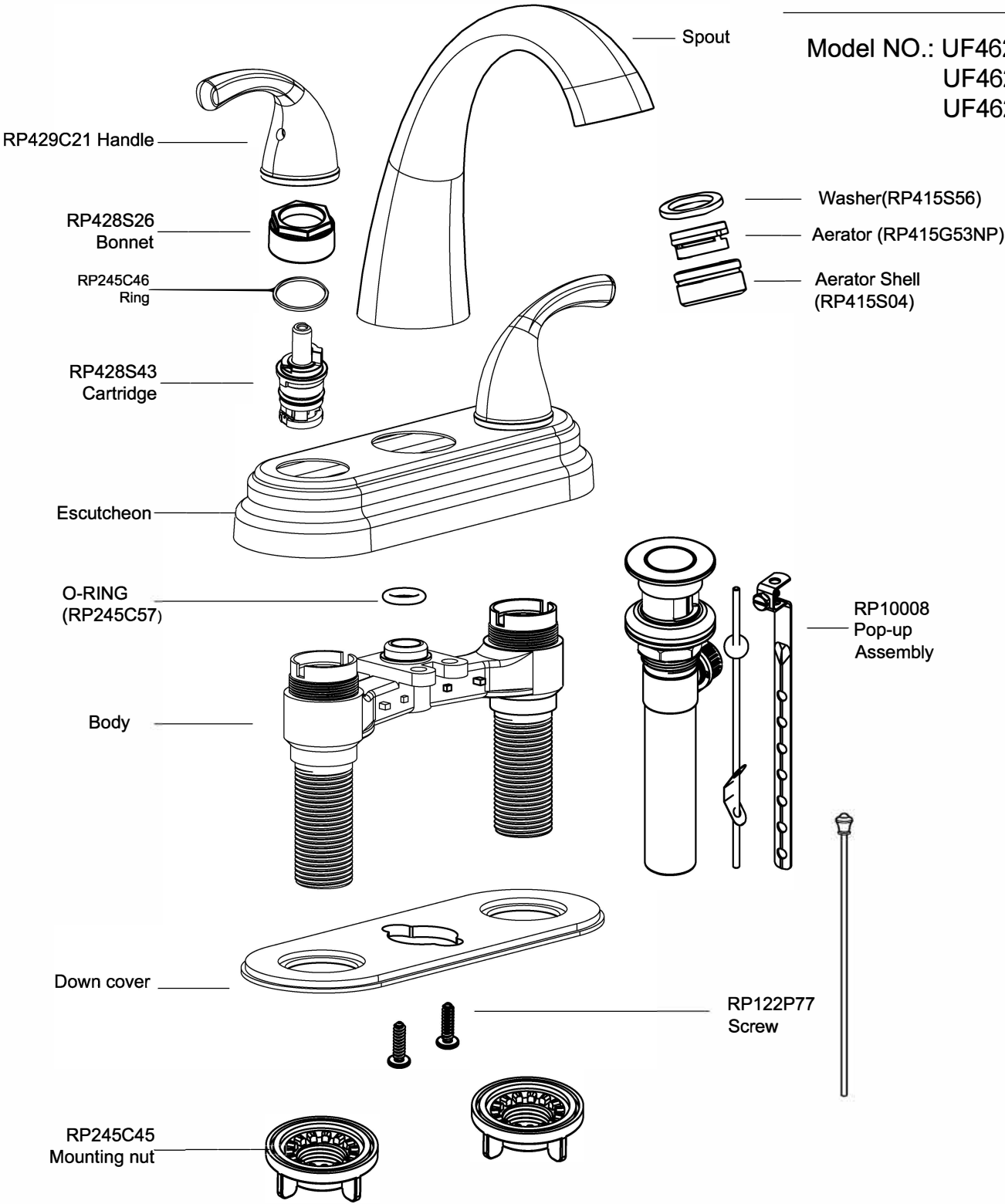
4B
 Remove pivot nut(1). Insert the stopper(3) into the drain hoel and Insert horizontal rod(2) through the hole of the stopper(3) according to graphic(5). Hand tighten pivot nut(1). Attach horizontal rod to strap(6) using clip(7).
NOTE: For easier removal and cleaning,rotate the stopper(3) 90 degrees so that the horizontal rod(2) does not go through the hole in the stopper(3),see graphic(4).



5
 Insert lift rod(1) through faucet and into strap(2). Tighten screw(3).

Exploded Drawing
 RP(Replacement Parts)

Model NO.: UF46210
 UF46213
 UF46215



Limited Lifetime Warranty

Ultra Faucets warrants to the original purchaser that its products will be free from defects in workmanship and materials. All Ultra Faucets are provided with a life time limited warranty. This warranty does not cover any other labor or service charges associated with the removal, repair, or reinstallation of Ultra Faucets products. This express warranty does not apply to products that have been damaged as a result of misuse, abuse, negligence, accident, faulty installation or maintenance practices and/or used in any manner contrary to those recommended by the manufacturer.