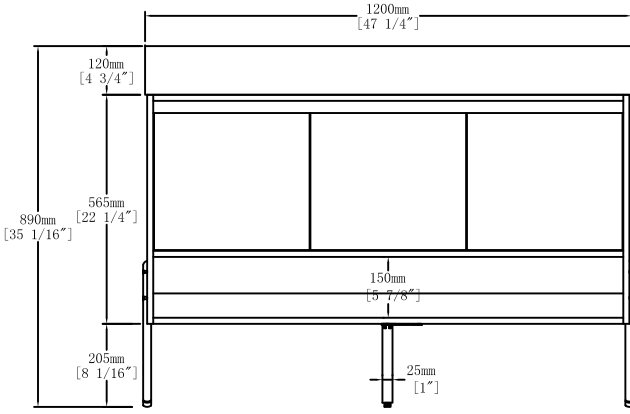
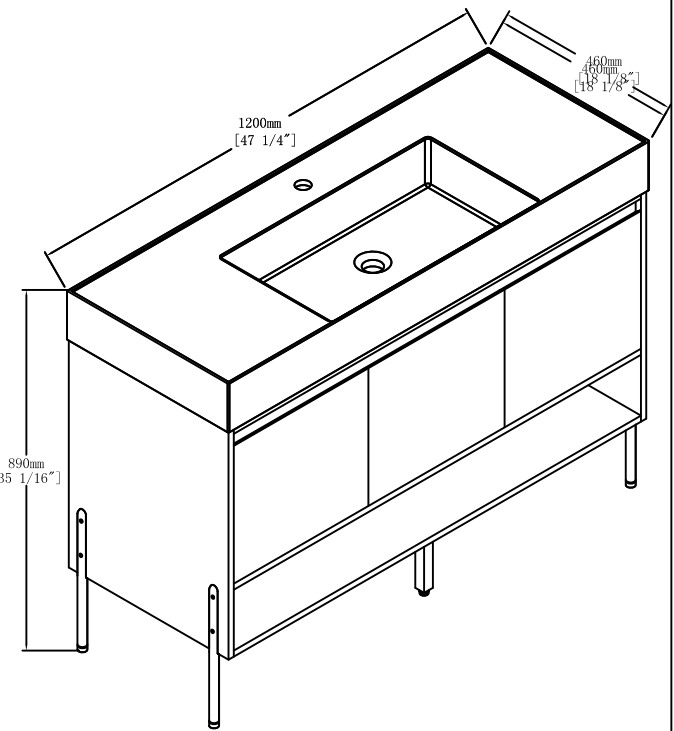
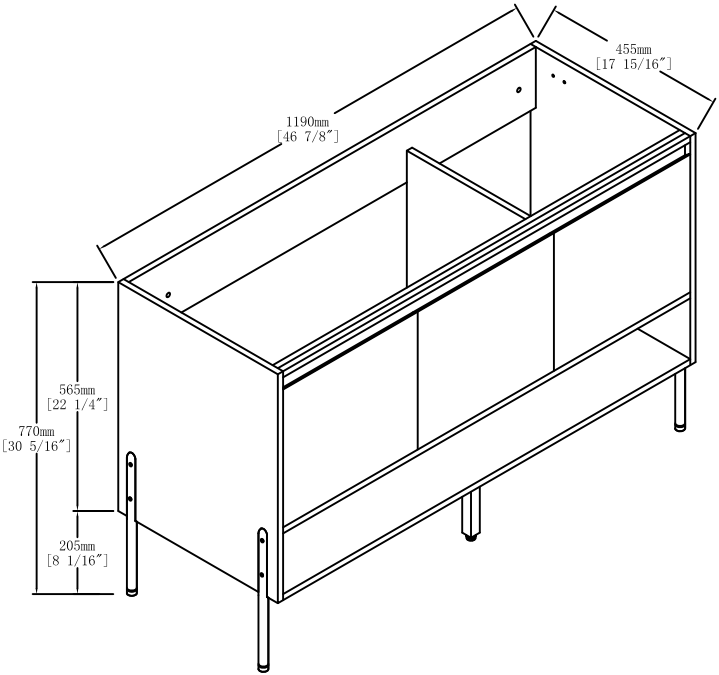
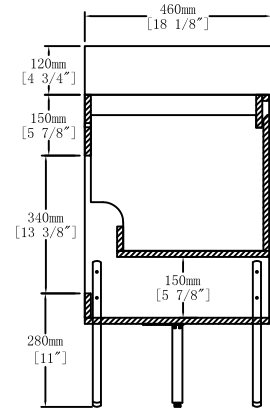


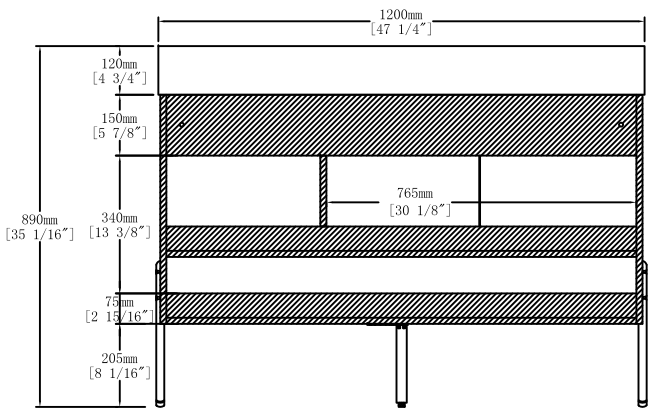
Top View



Front View



Side View



Back View



Item NO.	LV C1048	Version	V1
Project		Date	2024-4-23