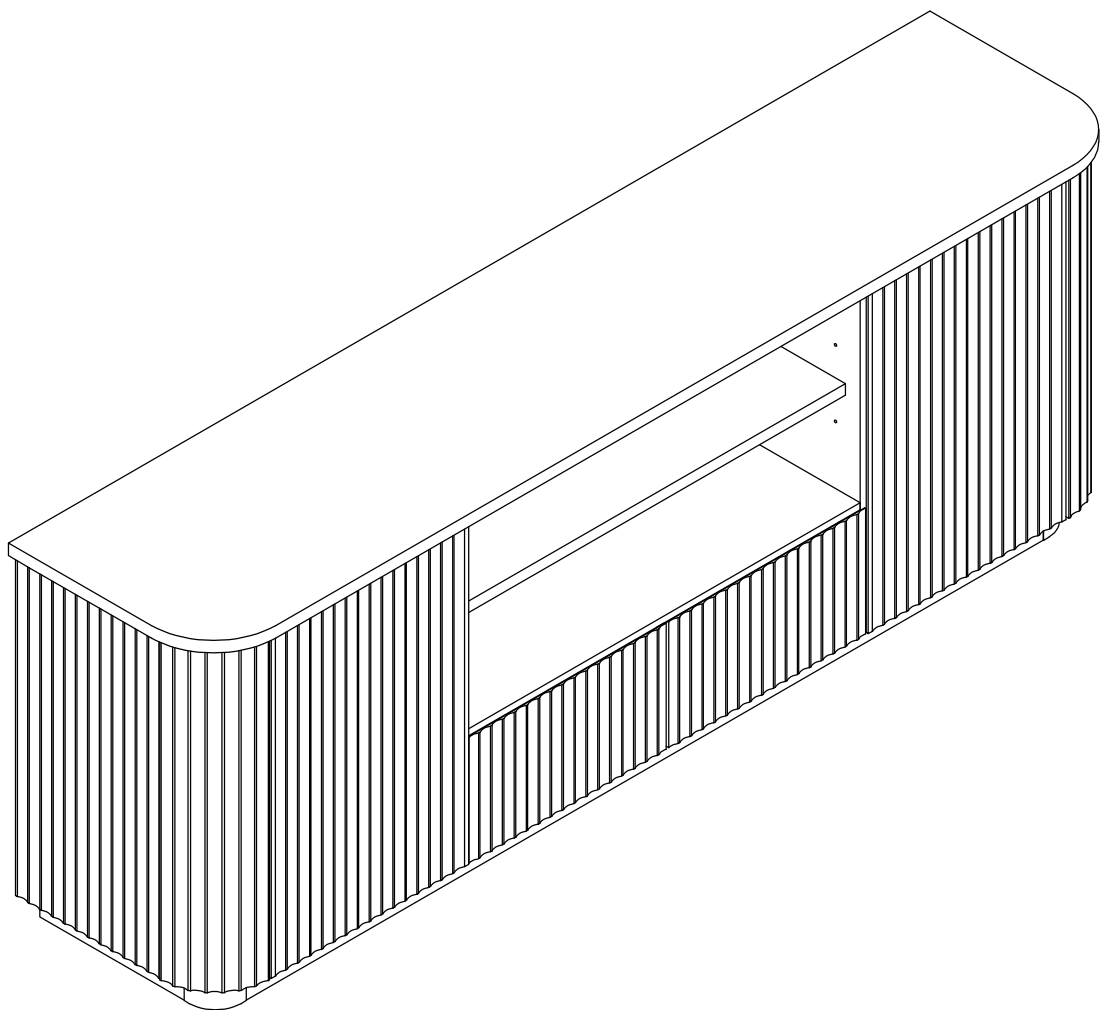


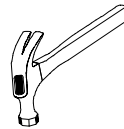
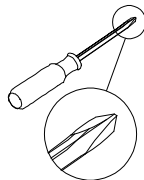
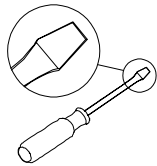
ASSEMBLY INSTRUCTIONS



SAFETY TIPS: Static charge may cause dust on foam – clean with a dry or damp cloth. Small foam strands may be present – handle gently and dispose of properly. Do not burn or incinerate. Check local recycling guidelines.

Before You Start

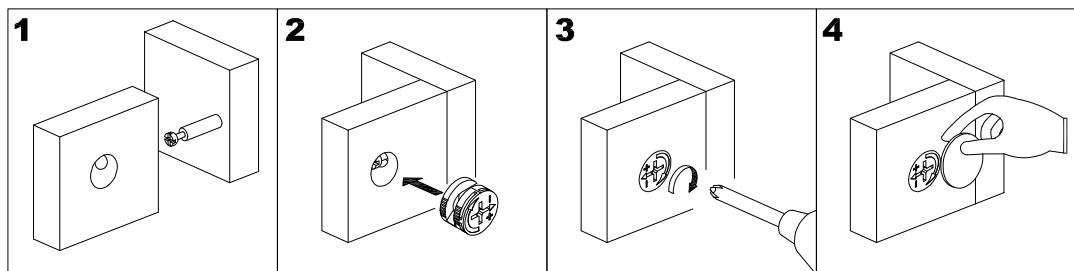
1. Read through each step carefully and follow the proper order.
2. Separate and count all your parts and hardware.
3. Give yourself enough room for the assembly process.
4. Assemble this product on the empty carton or carpet to avoid scratching.
5. Two people are recommended for ease in the assembly of this product.
6. Keep all small parts of this product away from children. They may cause serious injury.
7. Have the following tools: Flat Head Screwdriver, #2 Phillips Head Screwdriver and Hammer.



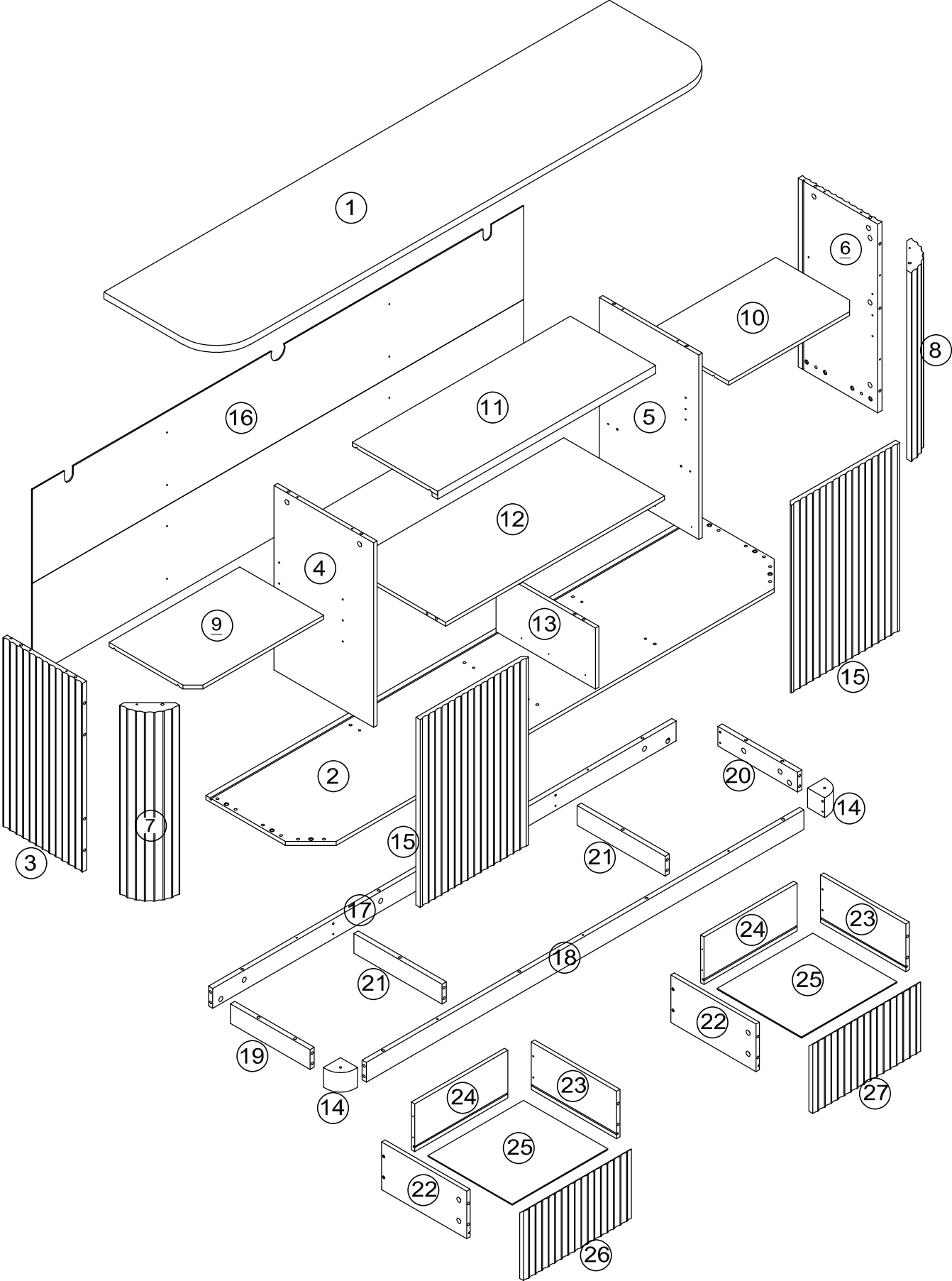
8. Note: Power tools should not be recommended to assemble this product. If using a power drill or power screwdriver for screwing, please be aware to slow down and stop when screw is tight. Failure to do so may result in stripping the screw.

HOW THE KNOCK DOWN (KD) ASSEMBLY SYSTEM WORKS

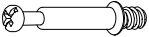




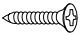
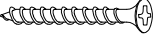
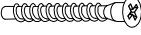


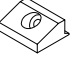
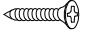



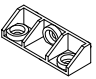



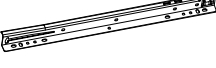
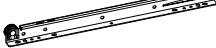
1. Screw the Cam Bolt into the pre-drilled hole on the panel. Make sure Cam Bolt goes into the pre-drilled hole on the end of panel for Cam Lock.
2. Insert the Cam Lock into the pre-drilled large hole on the panel. Make sure the arrow on the face of Cam Lock points towards Cam Bolt.
3. Take a Phillips screwdriver and rotate the Cam Lock clockwise to lock the Cam Bolt.
4. Use the sticker to conceal the Cam.



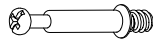
PARTS LIST



HARDWARE LIST

A		Ø6x35mm	Cam bolt	54 pcs
B		Ø15x9.5mm	Cam lock	54 pcs
C		Ø30mm	Cam cover	54 pcs
D		Ø6x30mm	Wooden dowel	44 pcs
E		Ø35mm	Europe hinge	4 pcs
F		Ø3.5x12mm	Screw	24 pcs
G		Ø4x38mm	Screw	8 pcs
H		Ø5x40mm	Screw	6 pcs
I			Glue tube	1 pc
J		Ø5x16mm	Shelf support	12 pcs
K			Plastic wedge	8 pcs
L		Ø3x16mm	Flat-head screw	8 pcs
M			Tipping restraint	2 set
N		Ø6x12mm	Bolt	18 pcs
O		Ø3.5x12mm	Screw	8 pcs
P			Plastic connector	6 pcs
Q		Ø3.5x14mm	Hinge screw	24 pcs
S		12"	Left cabinet member	2 pcs
T		12"	Right cabinet member	2 pcs
U		12"	Left drawer runner	2 pcs
V		12"	Right drawer runner	2 pcs

STEP 1



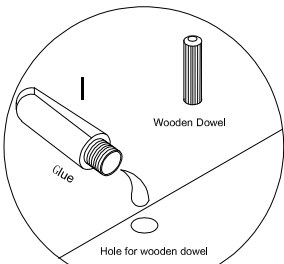
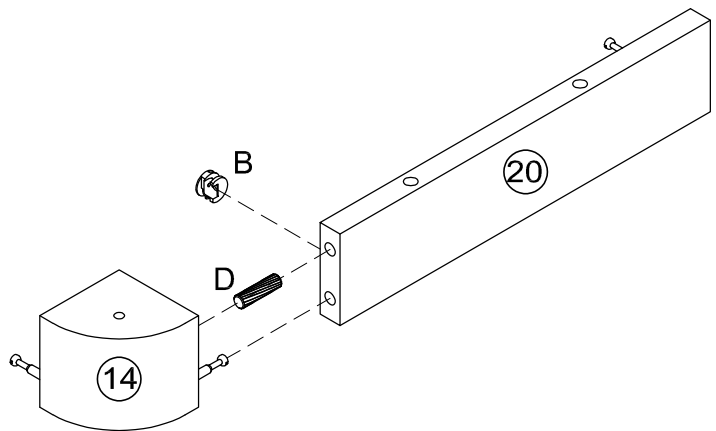
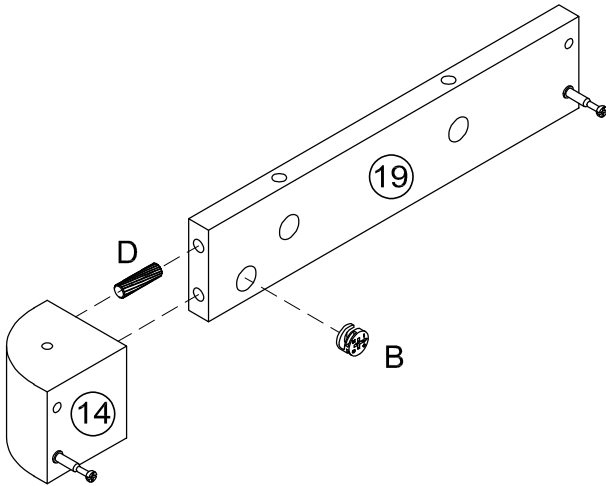
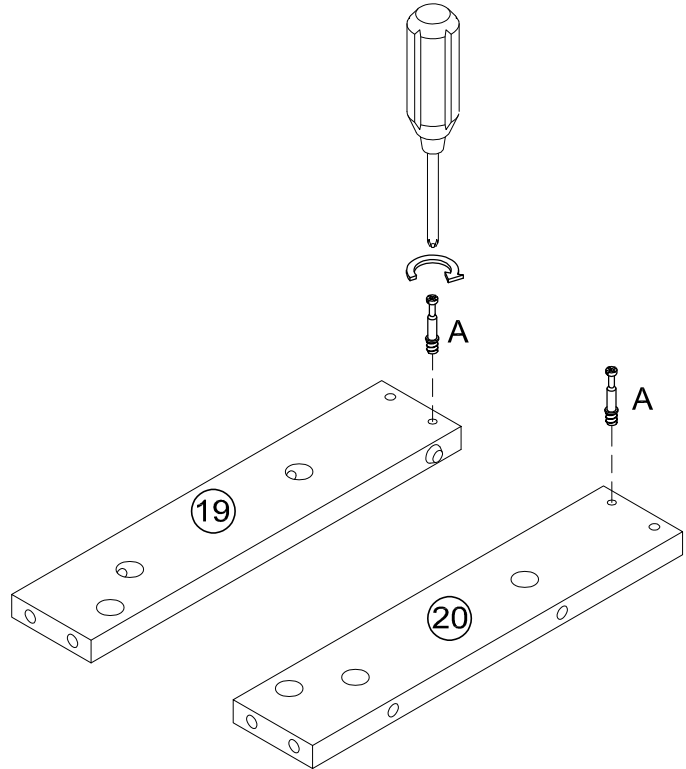
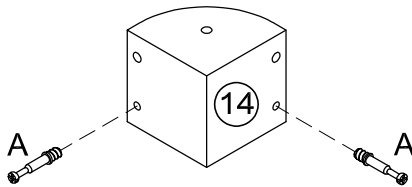
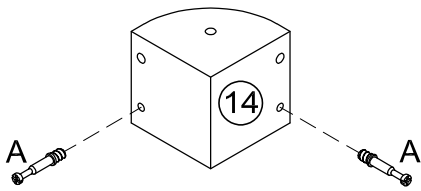
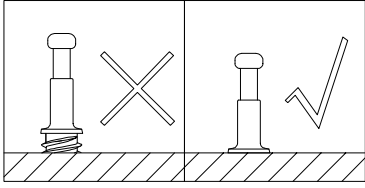
Ax6



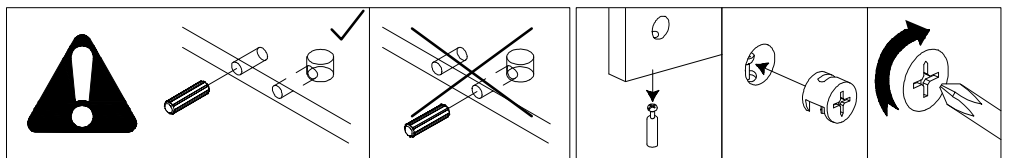
Bx2



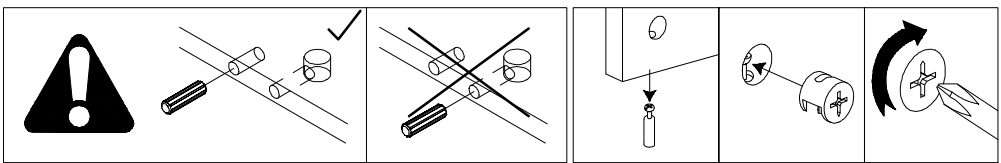
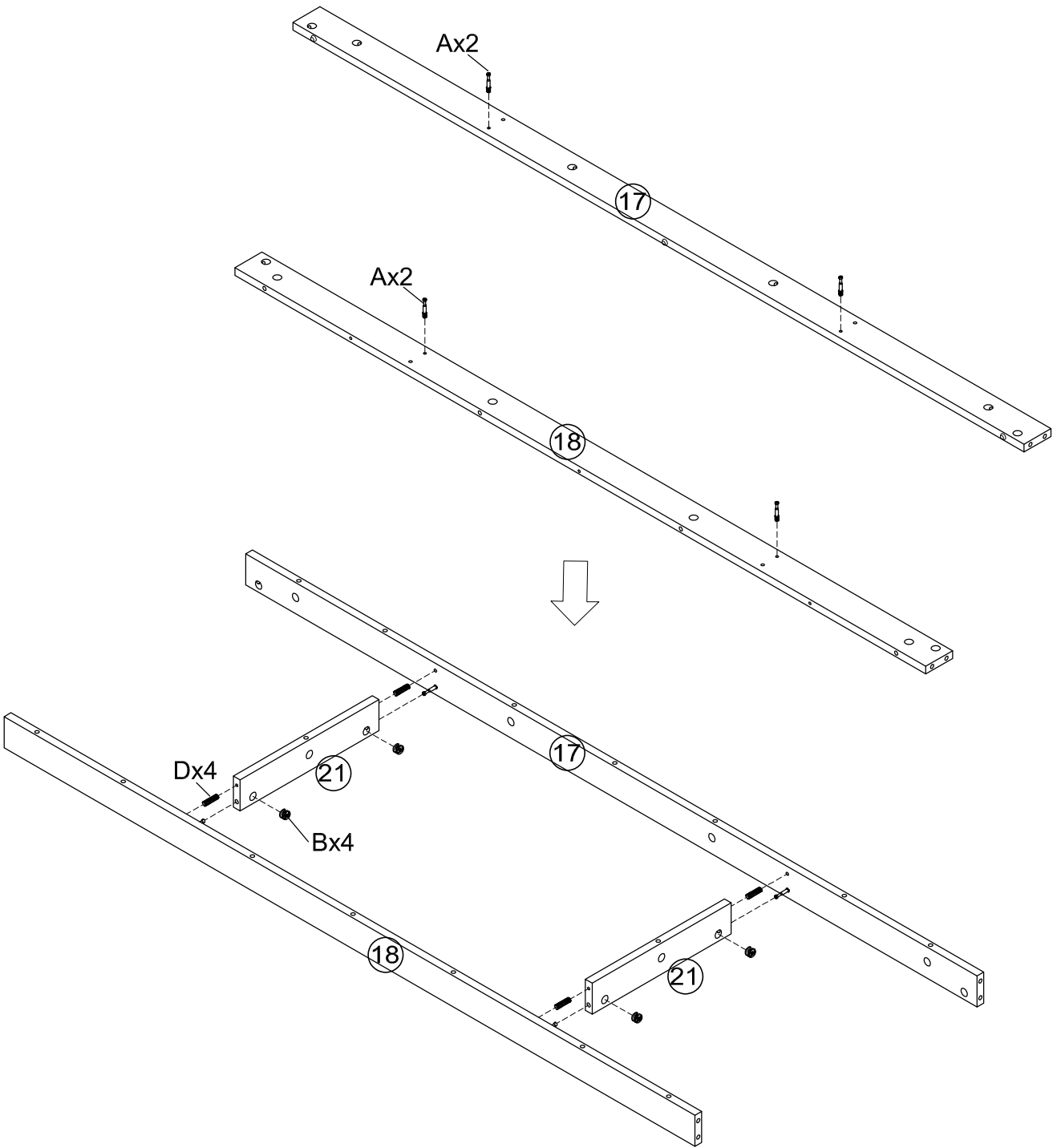
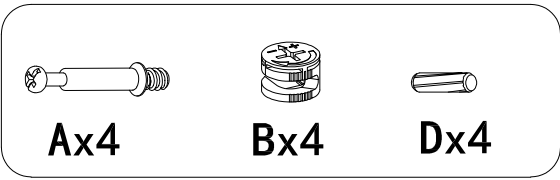
Dx2



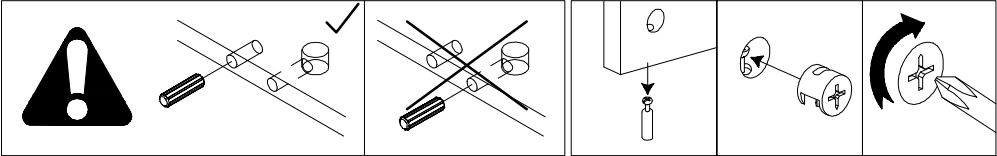
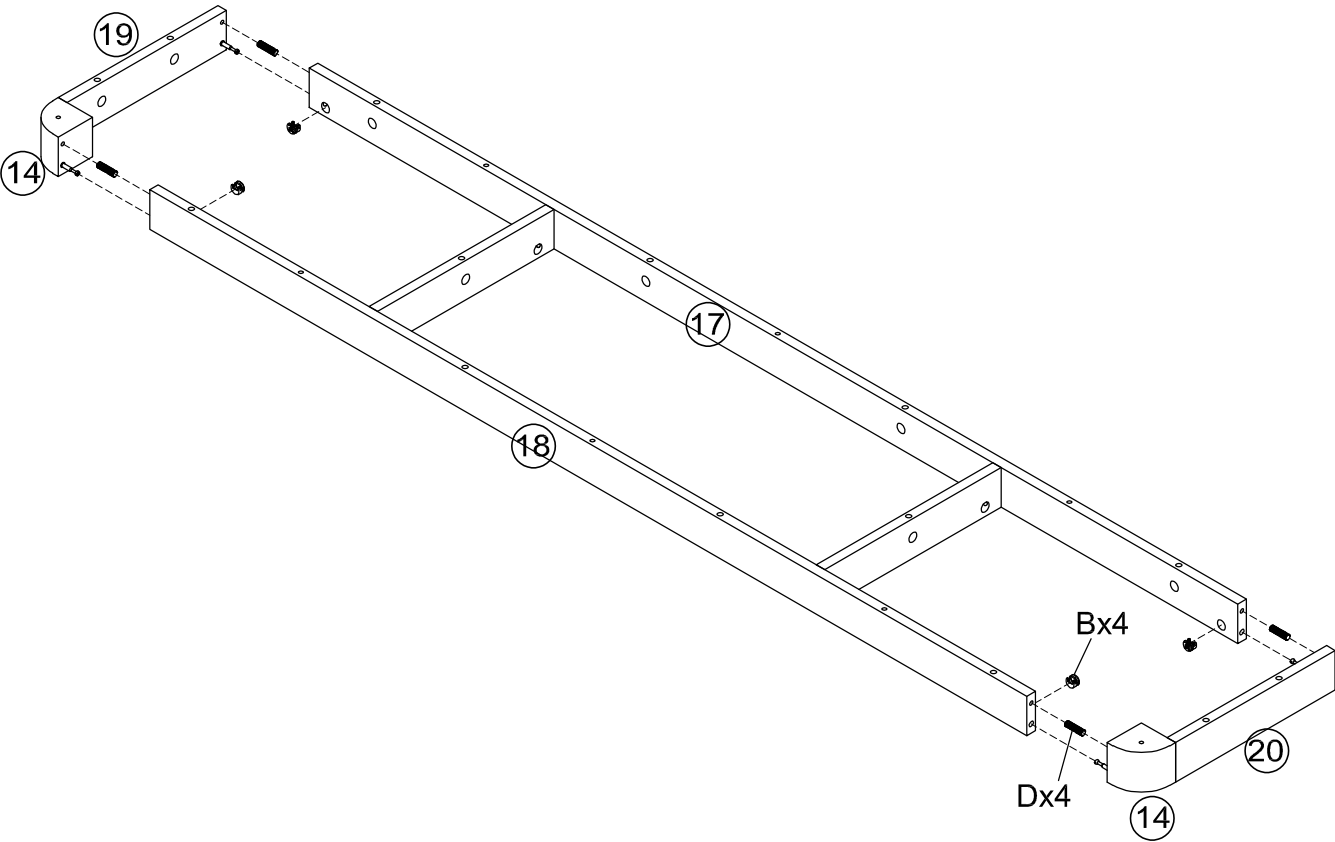
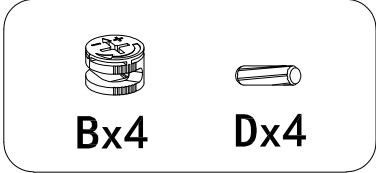
Use one drop of glue in dowel hole.



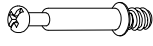
STEP 2



STEP 3



STEP 4



Ax3



Bx3



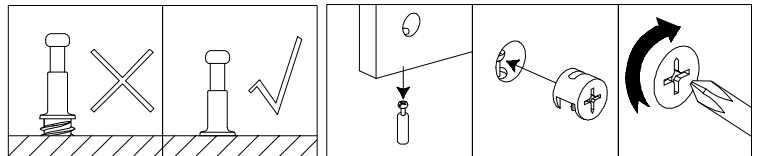
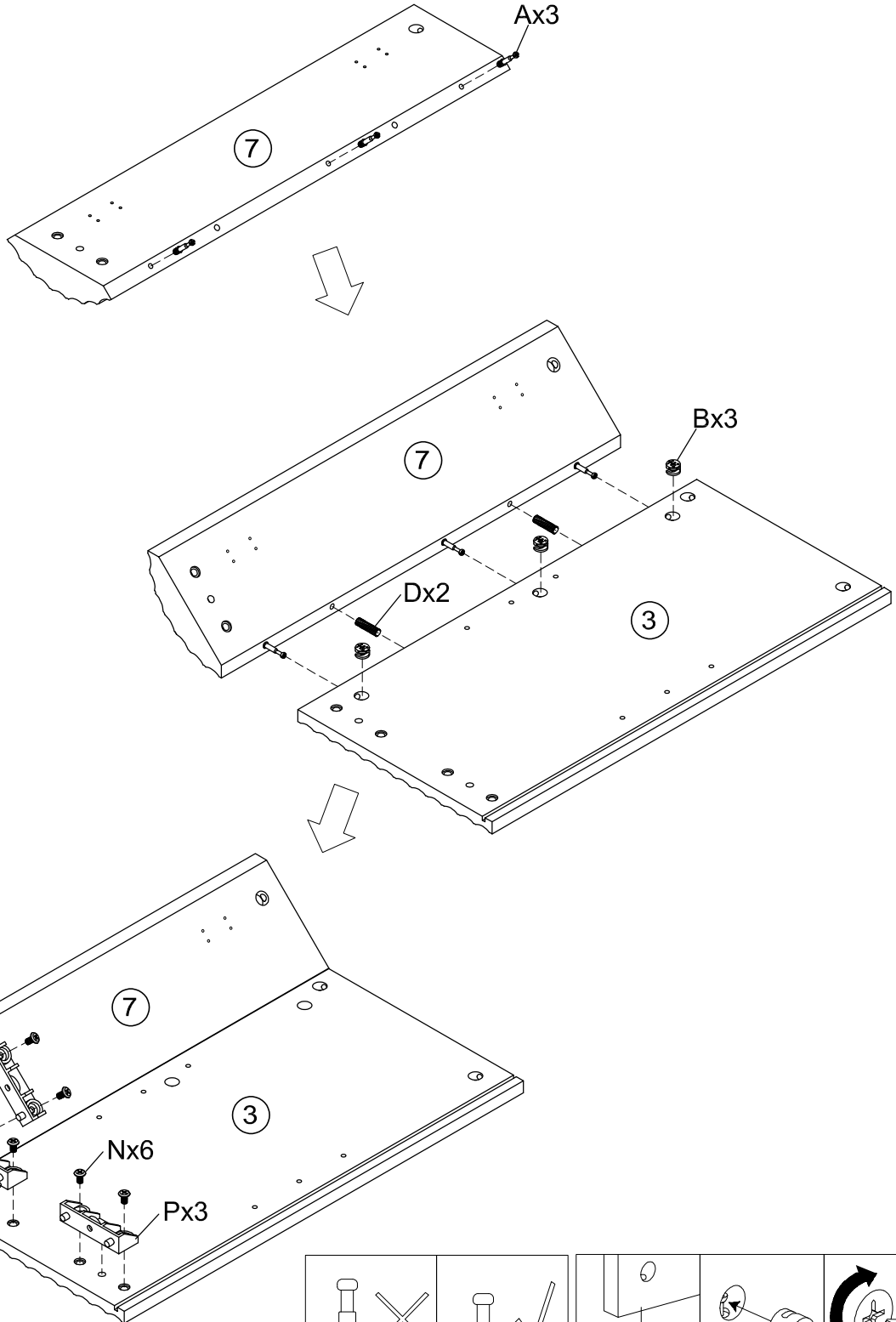
Dx2



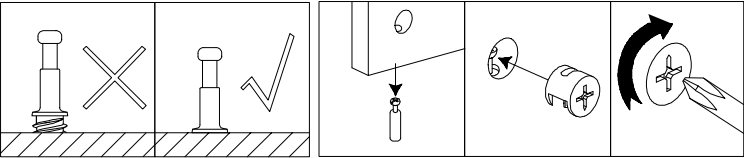
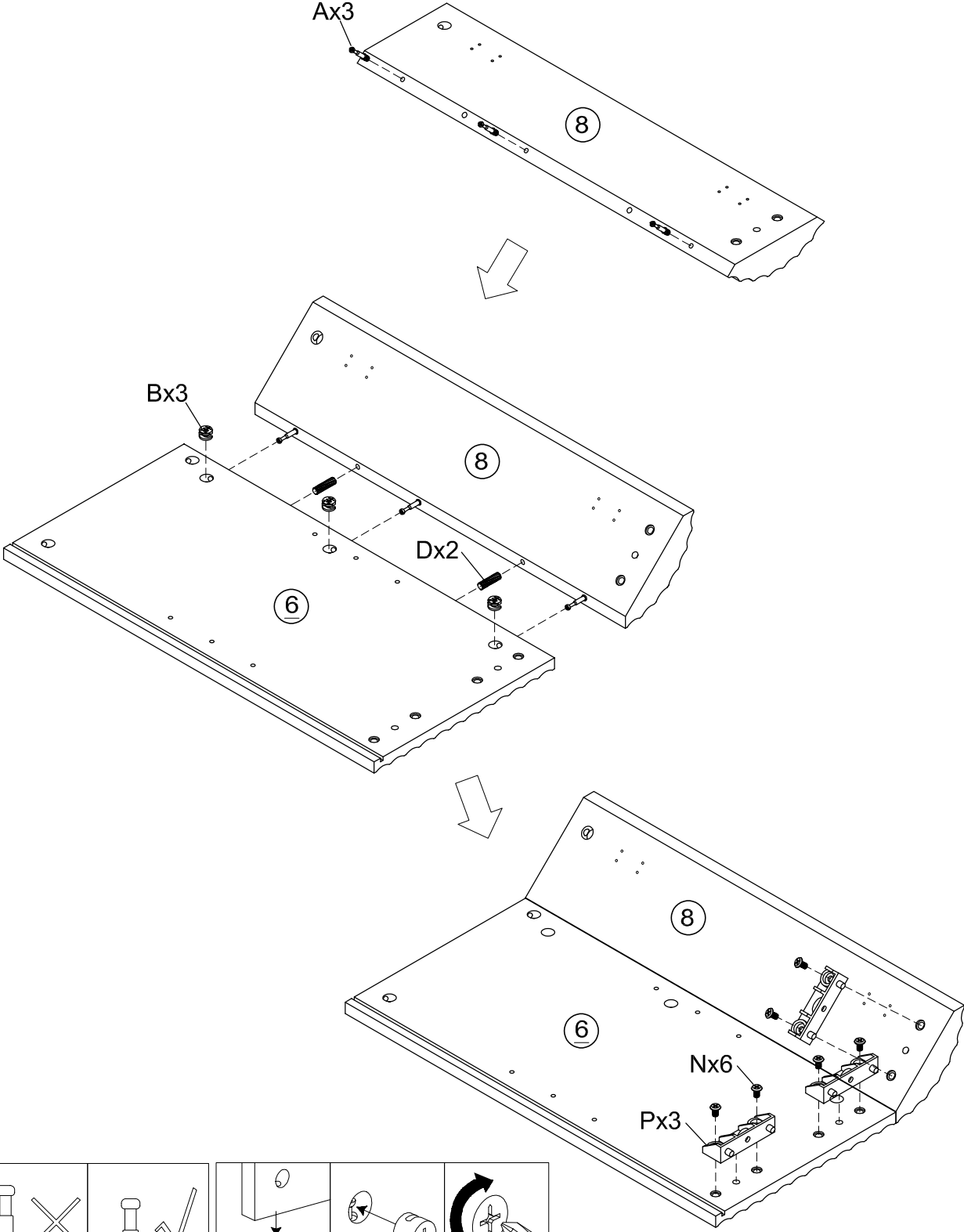
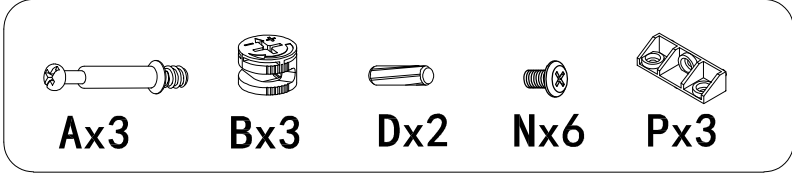
Nx6



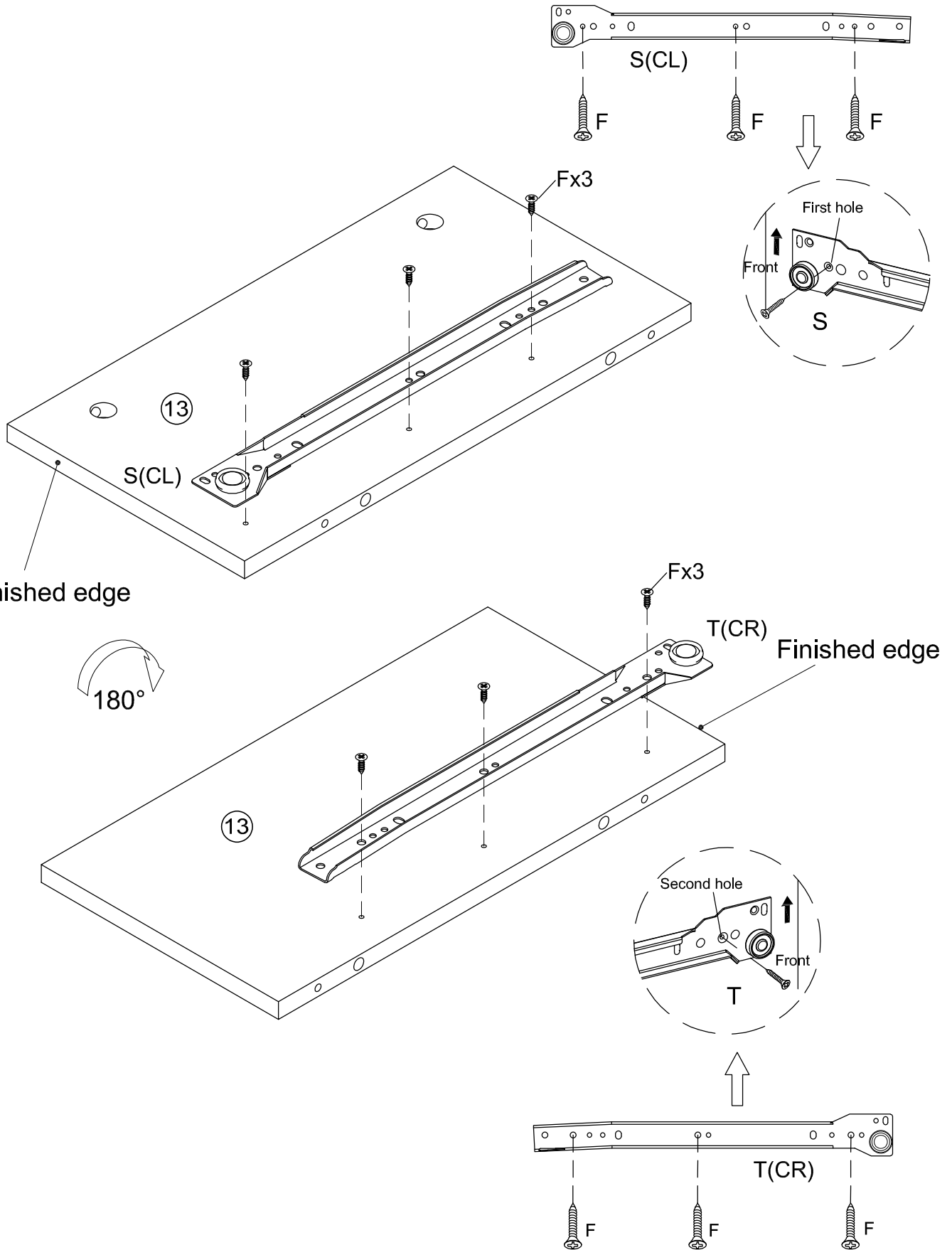
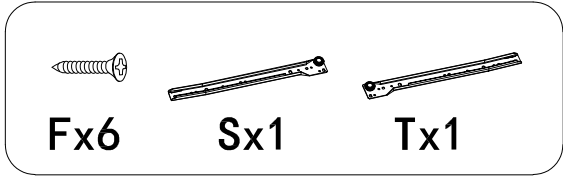
Px3



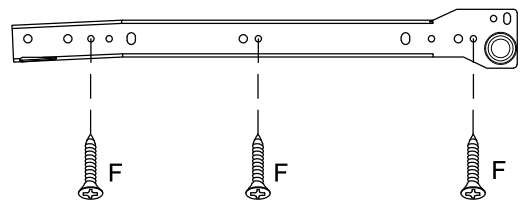
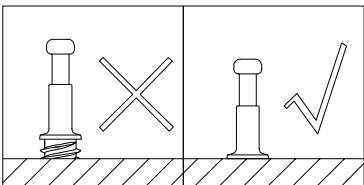
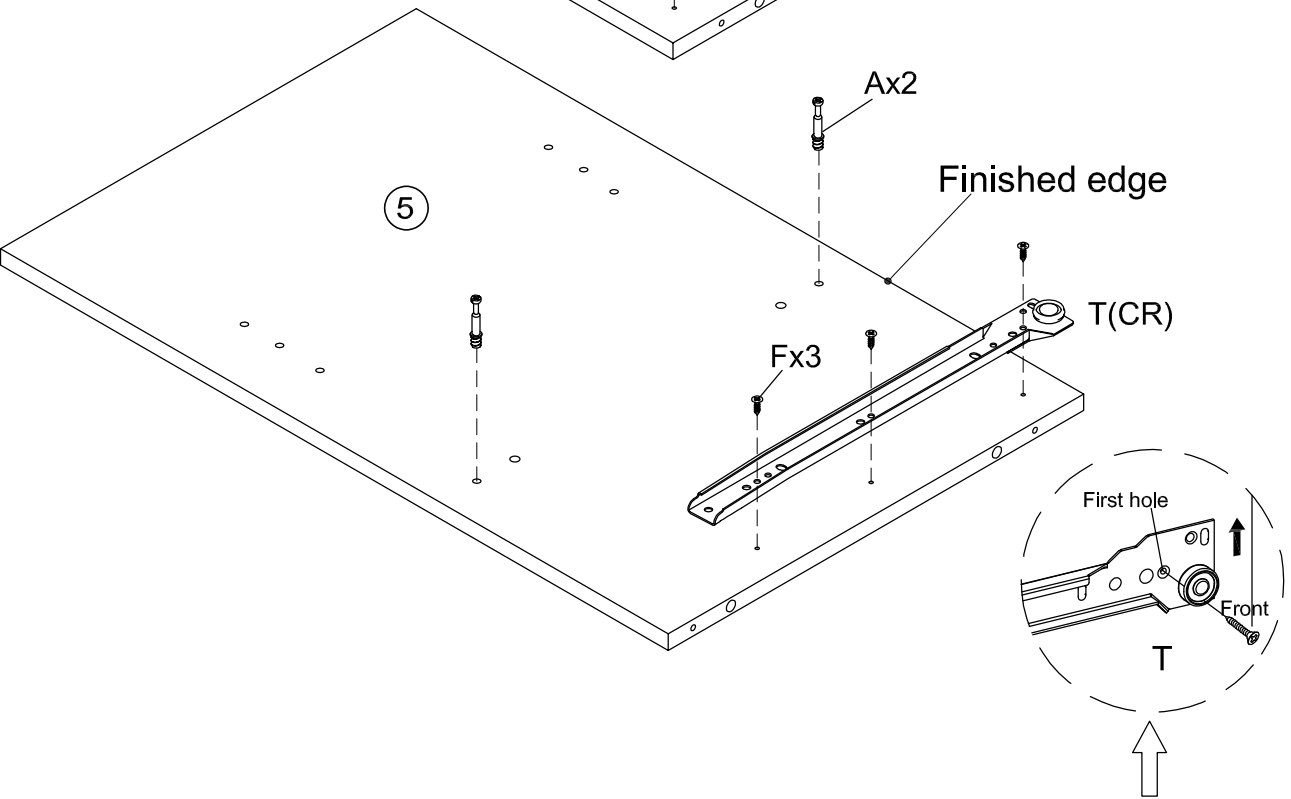
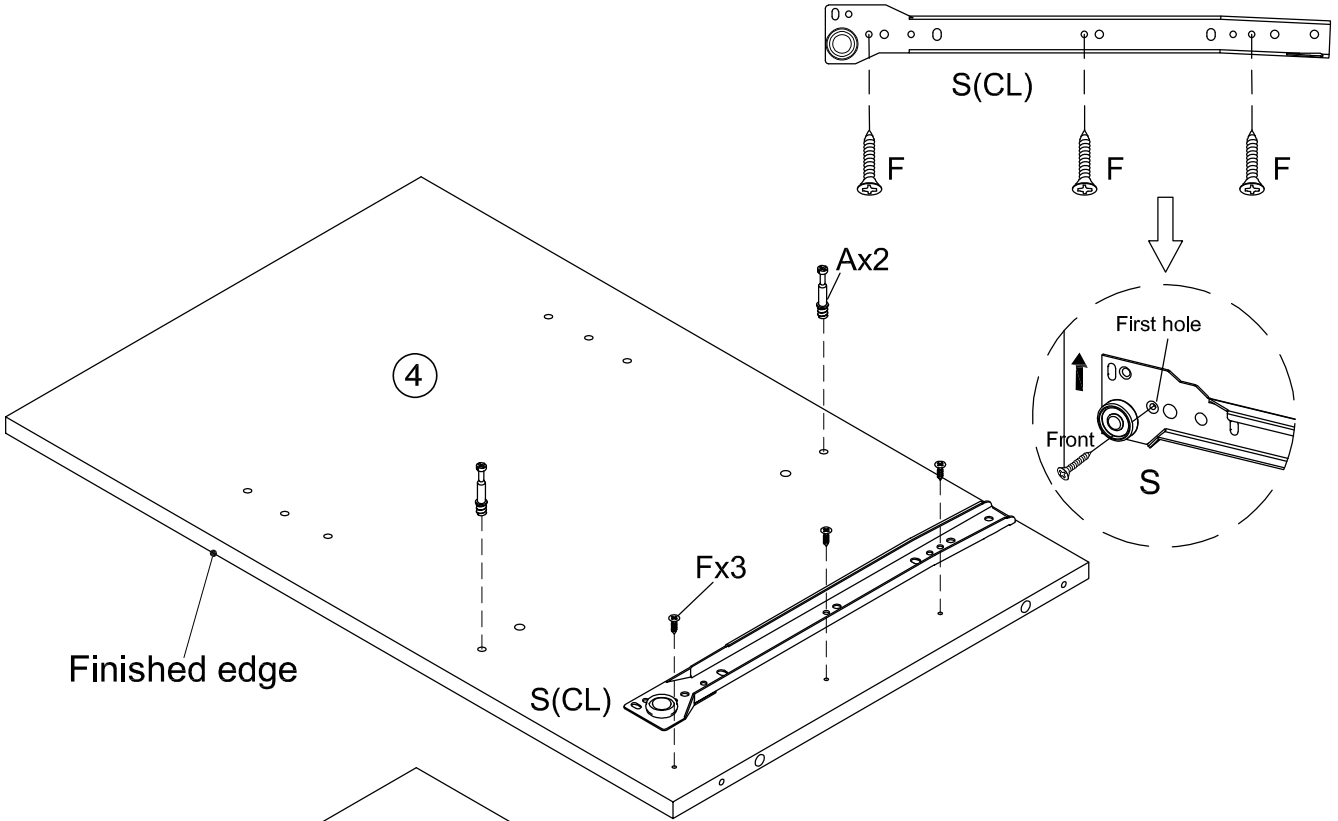
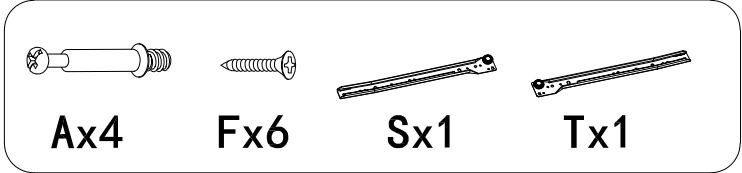
STEP 5



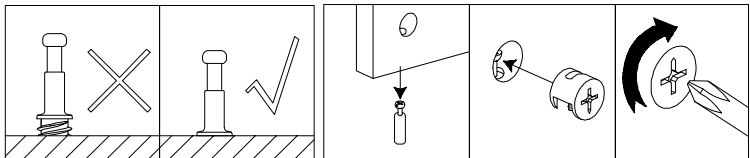
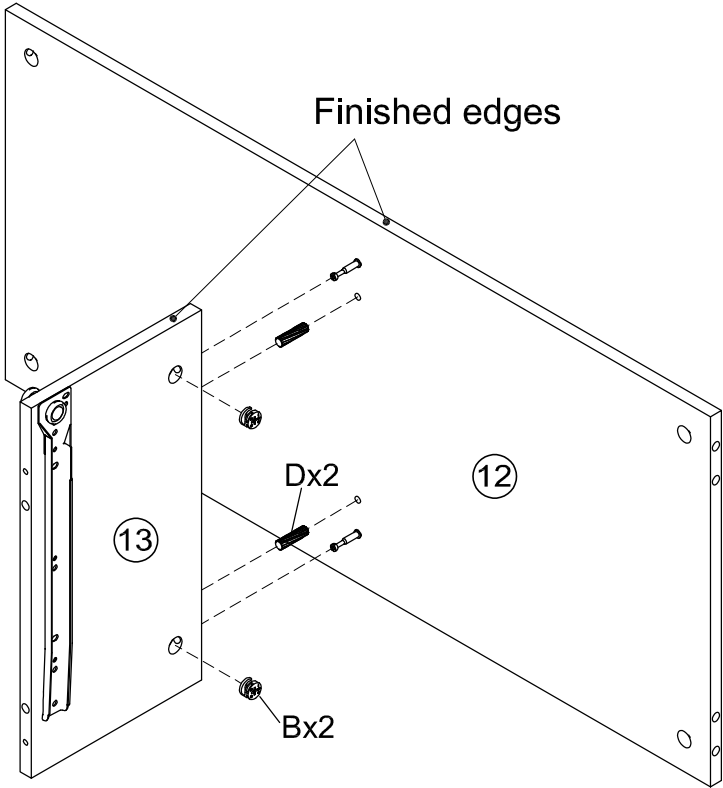
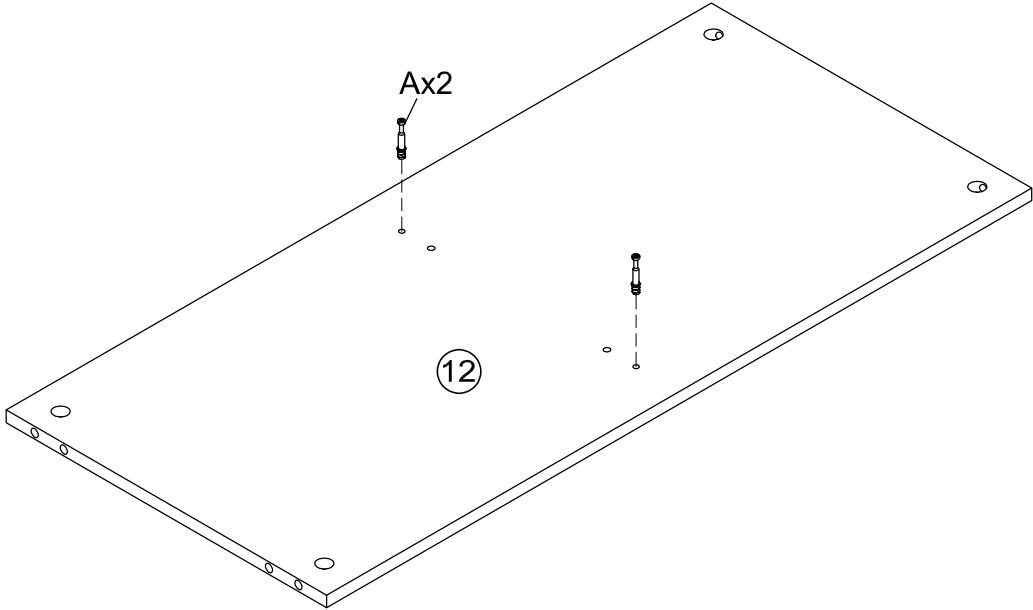
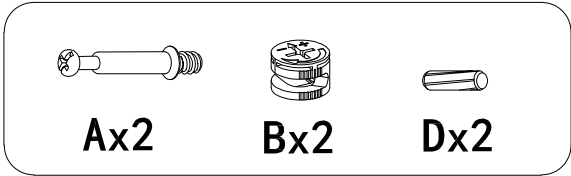
STEP 6



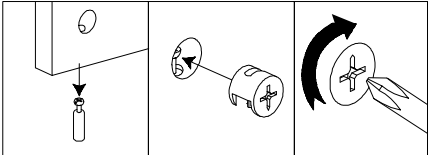
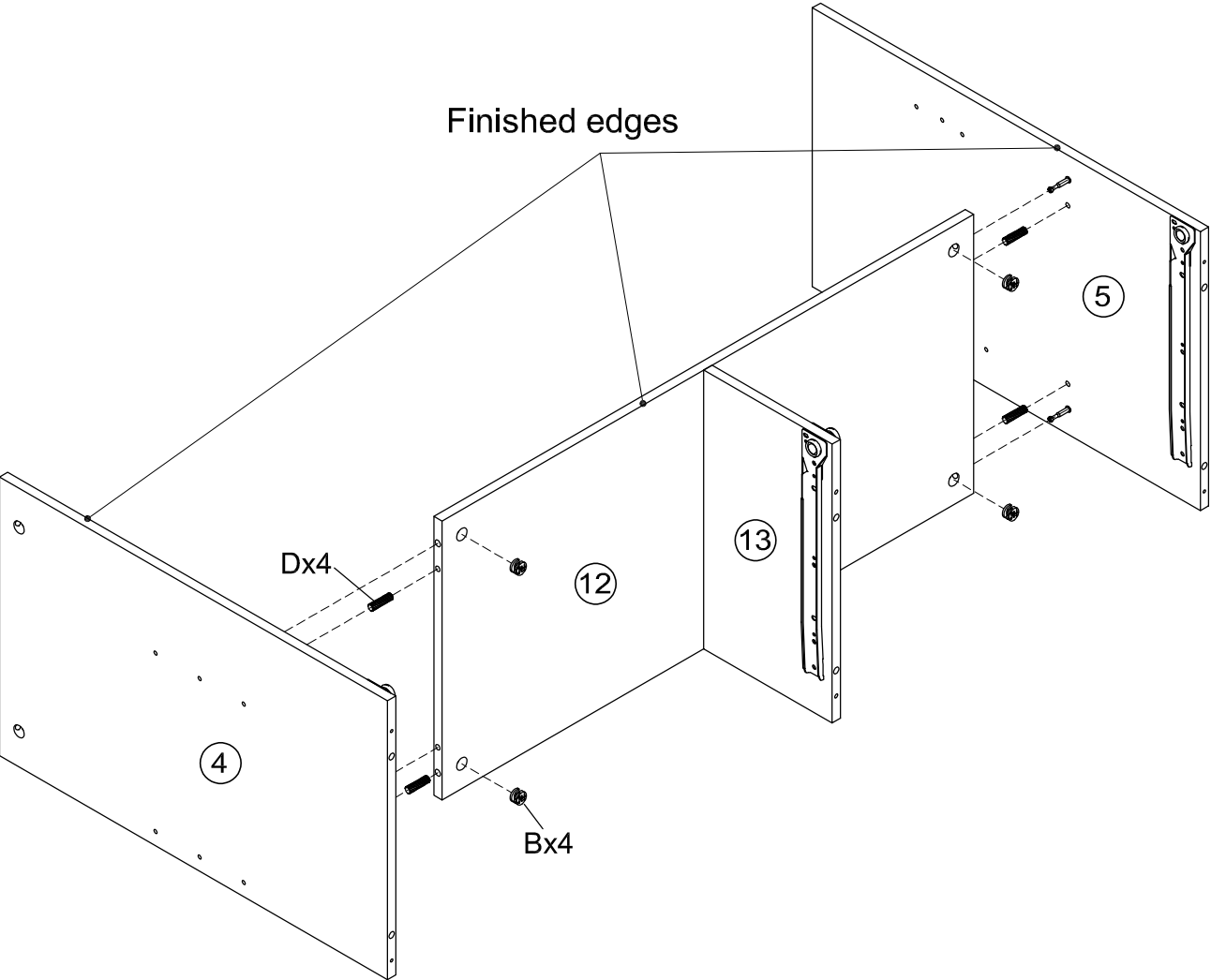
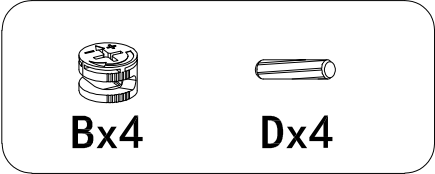
STEP 7



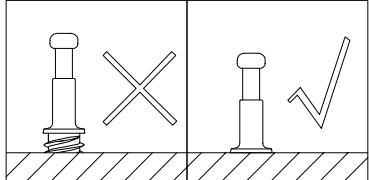
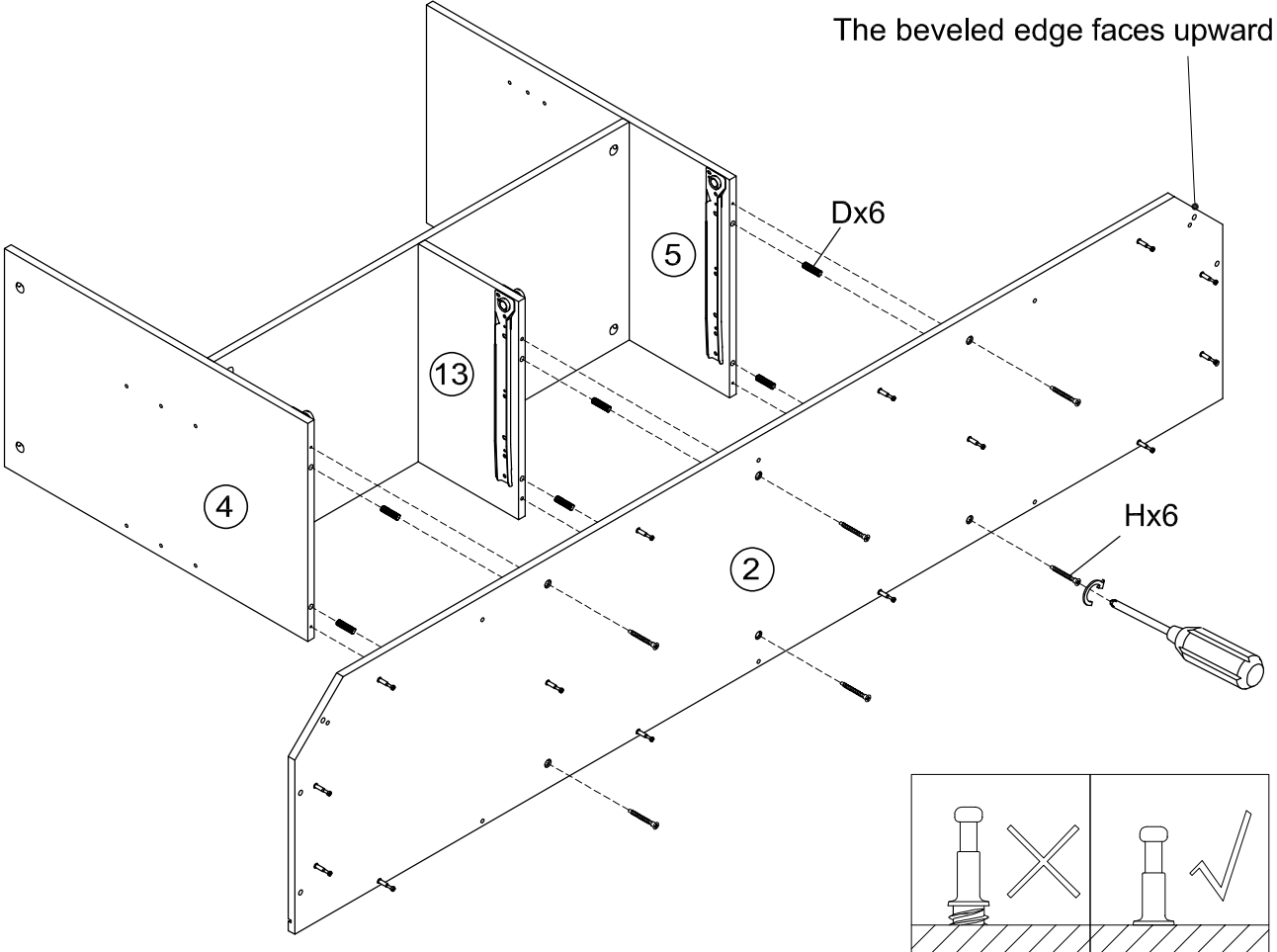
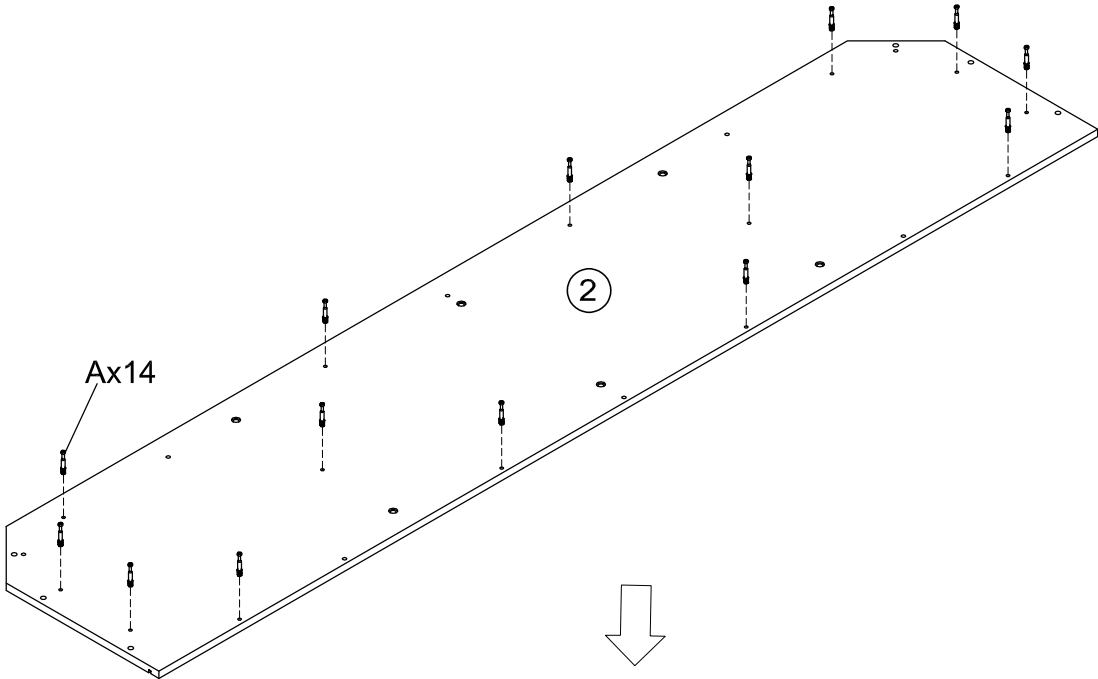
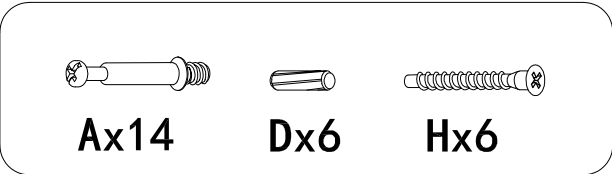
STEP 8



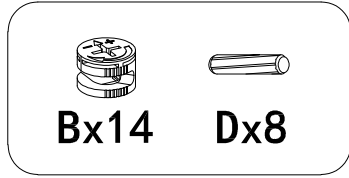
STEP 9



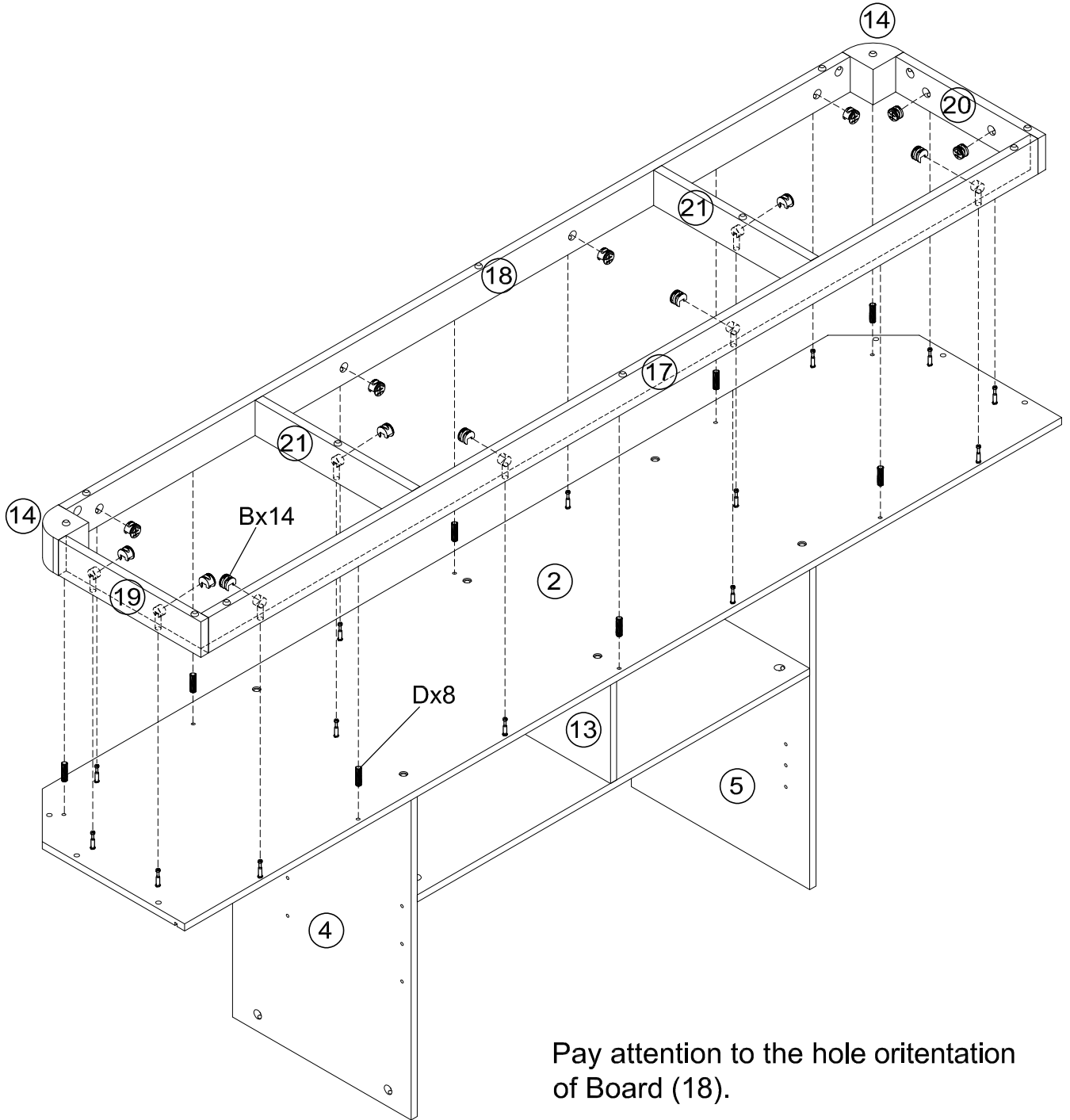
STEP 10



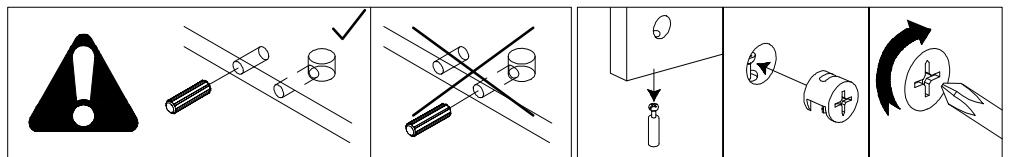
STEP 11



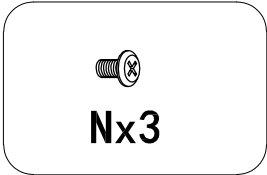
An assistance is required with this step.



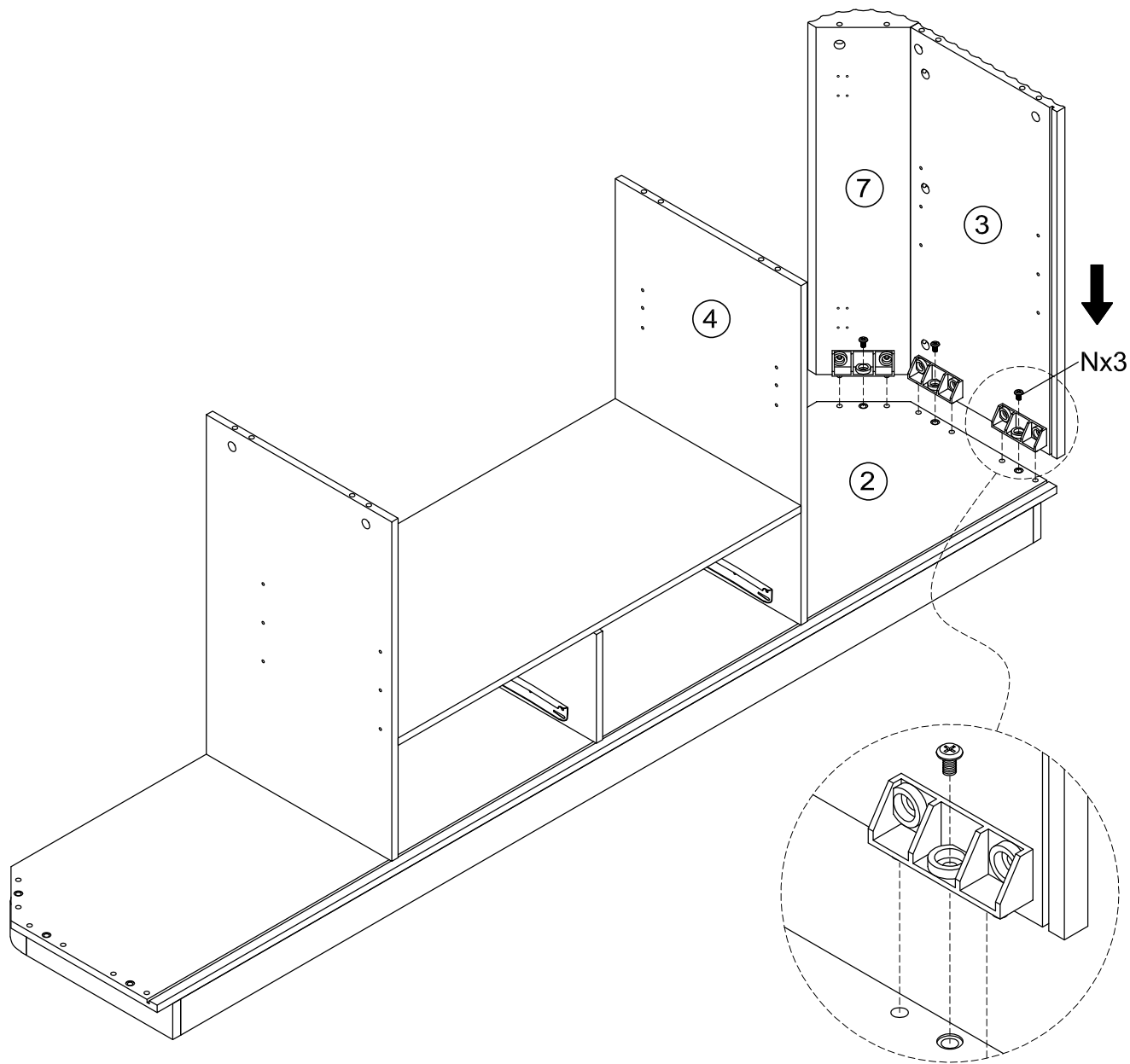
Pay attention to the hole orientation of Board (18).



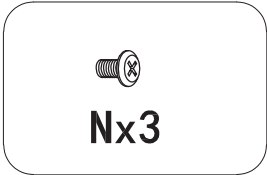
STEP 12



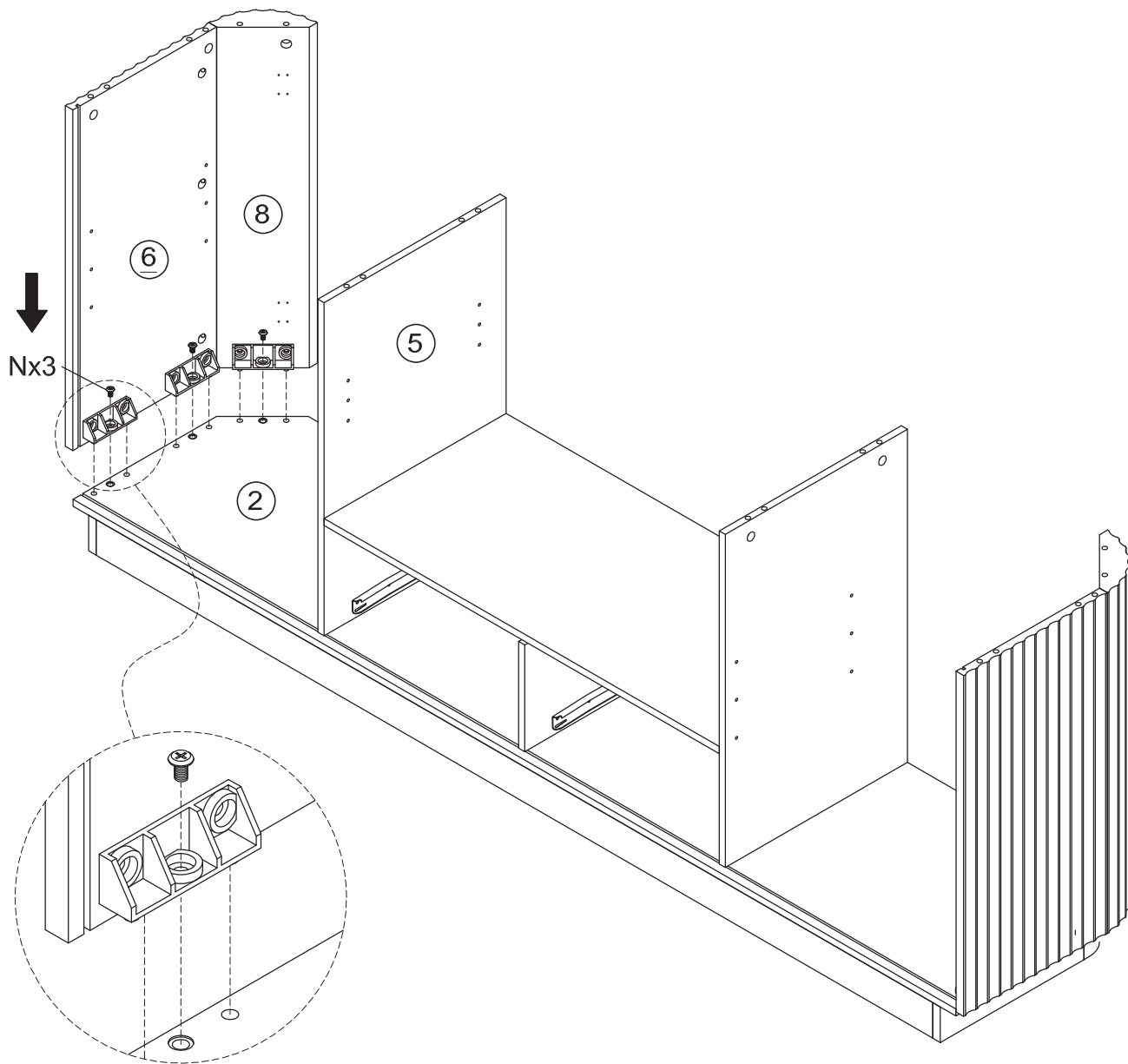
An assistance is required with this step.



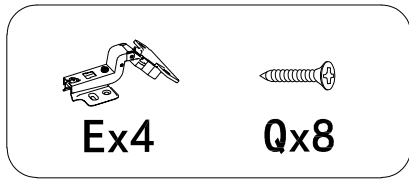
STEP 13



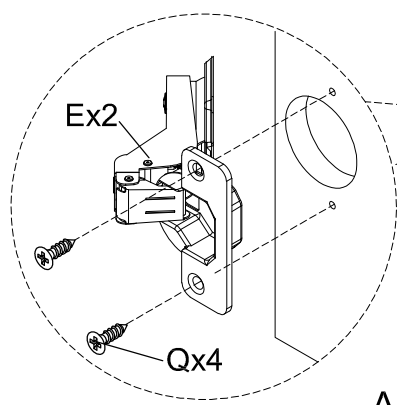
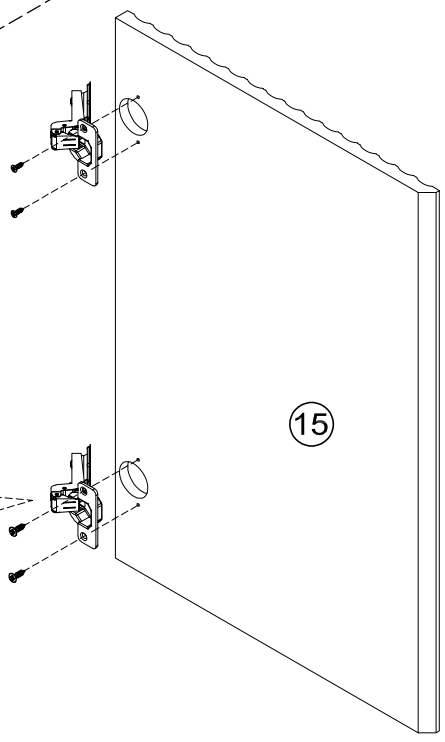
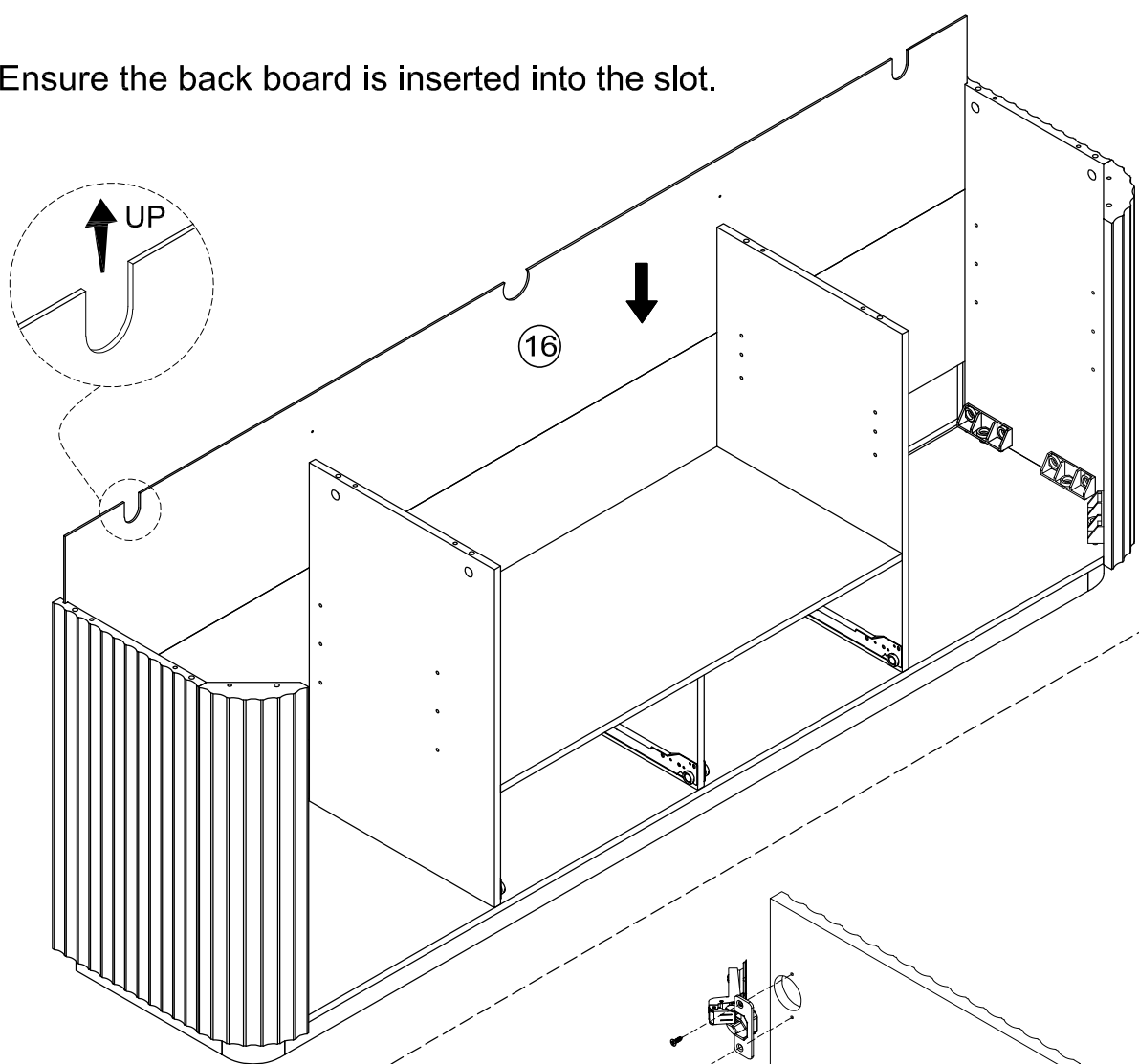
An assistance is required with this step.



STEP 14



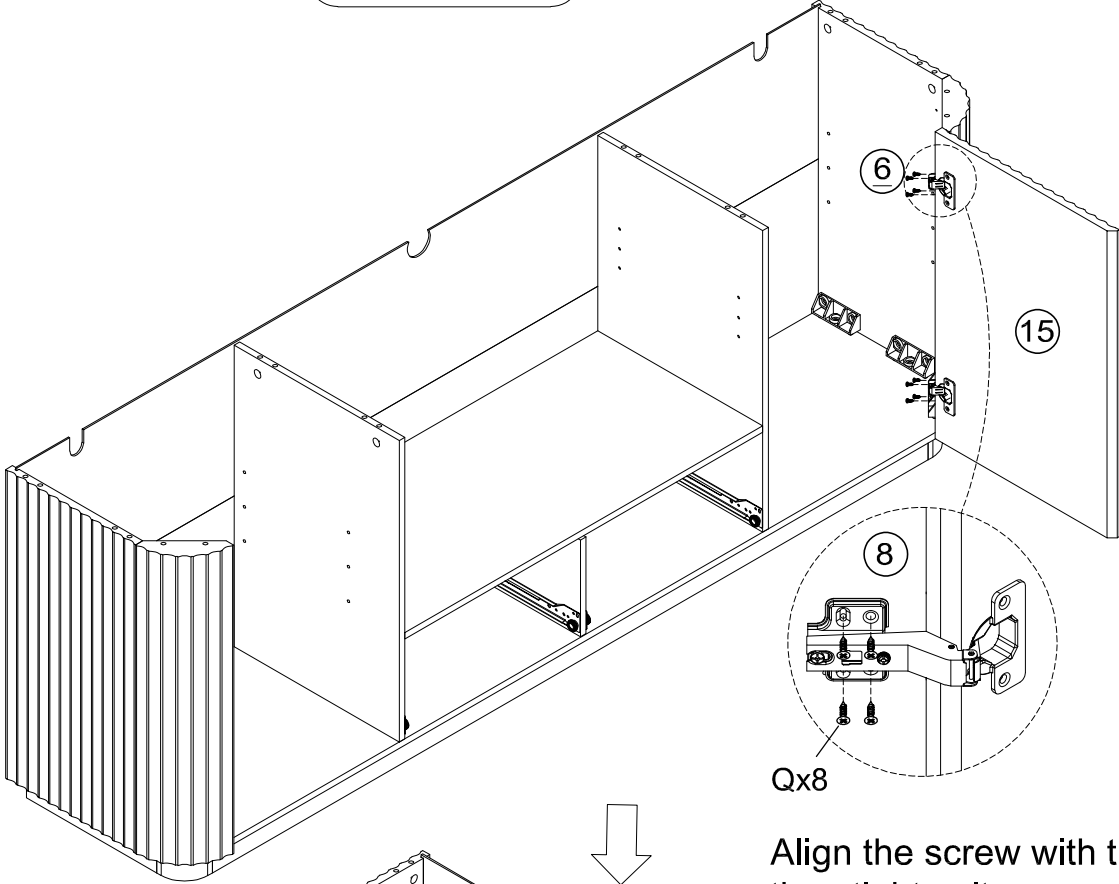
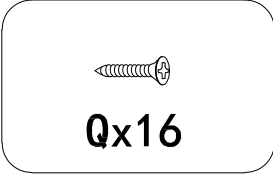
Ensure the back board is inserted into the slot.



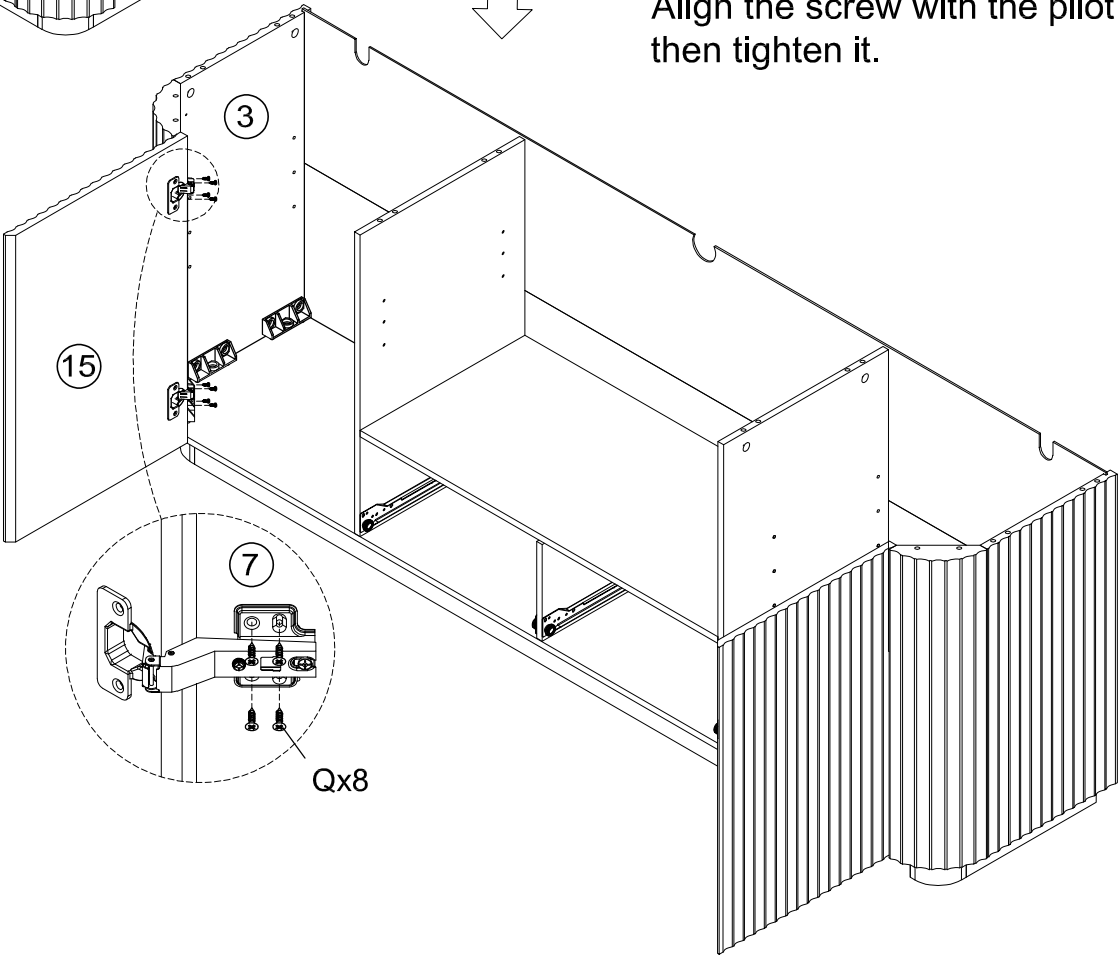
x2

Align the screw with the pilot hole, then tighten it.

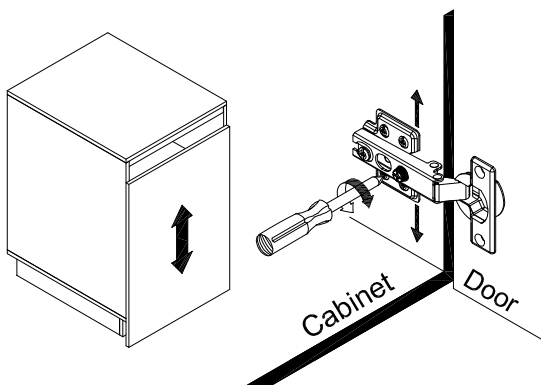
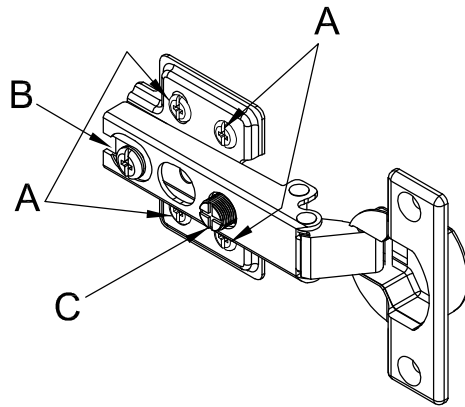
STEP 15



Align the screw with the pilot hole, then tighten it.

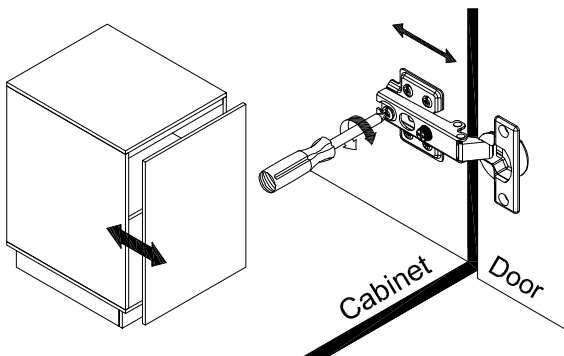


STEP 16



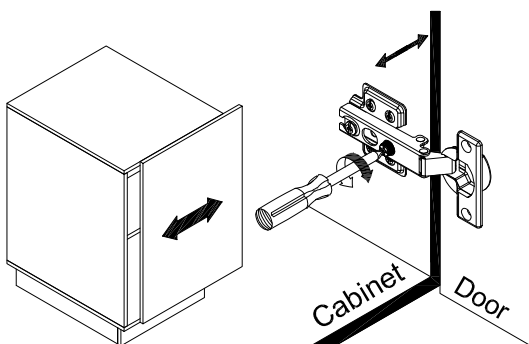
To adjust the vertical height.

Loosen the four screws "A" on both hinges. Two of them are usually in slotted holes which allows you to adjust up or down by a few mm. Then tighten back up.



To adjust depth.

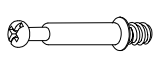
Loosen screw "B" and adjust door, if the door can not be adjusted, please loosen screw "C", then try again. Tighten screw "B" and "C".



To adjust side ways.

Turning the screw "C" on BOTH hinges on each door.

STEP 17



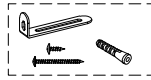
Ax10



Bx10

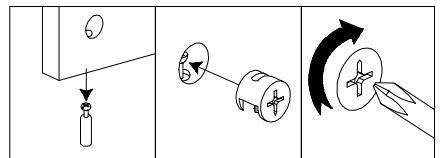
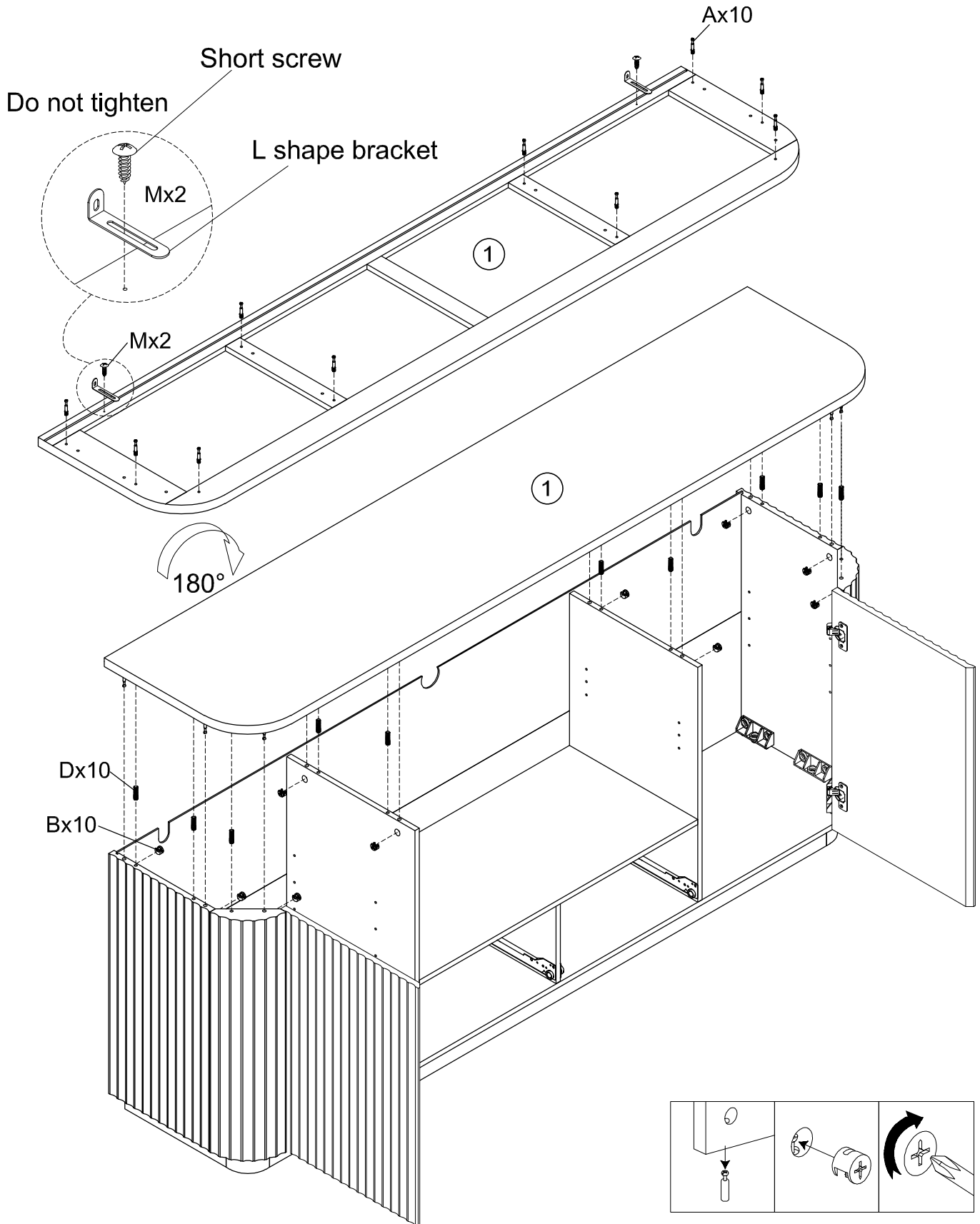


Dx10



Mx2

An assistance is required with this step.



STEP 18



Kx8

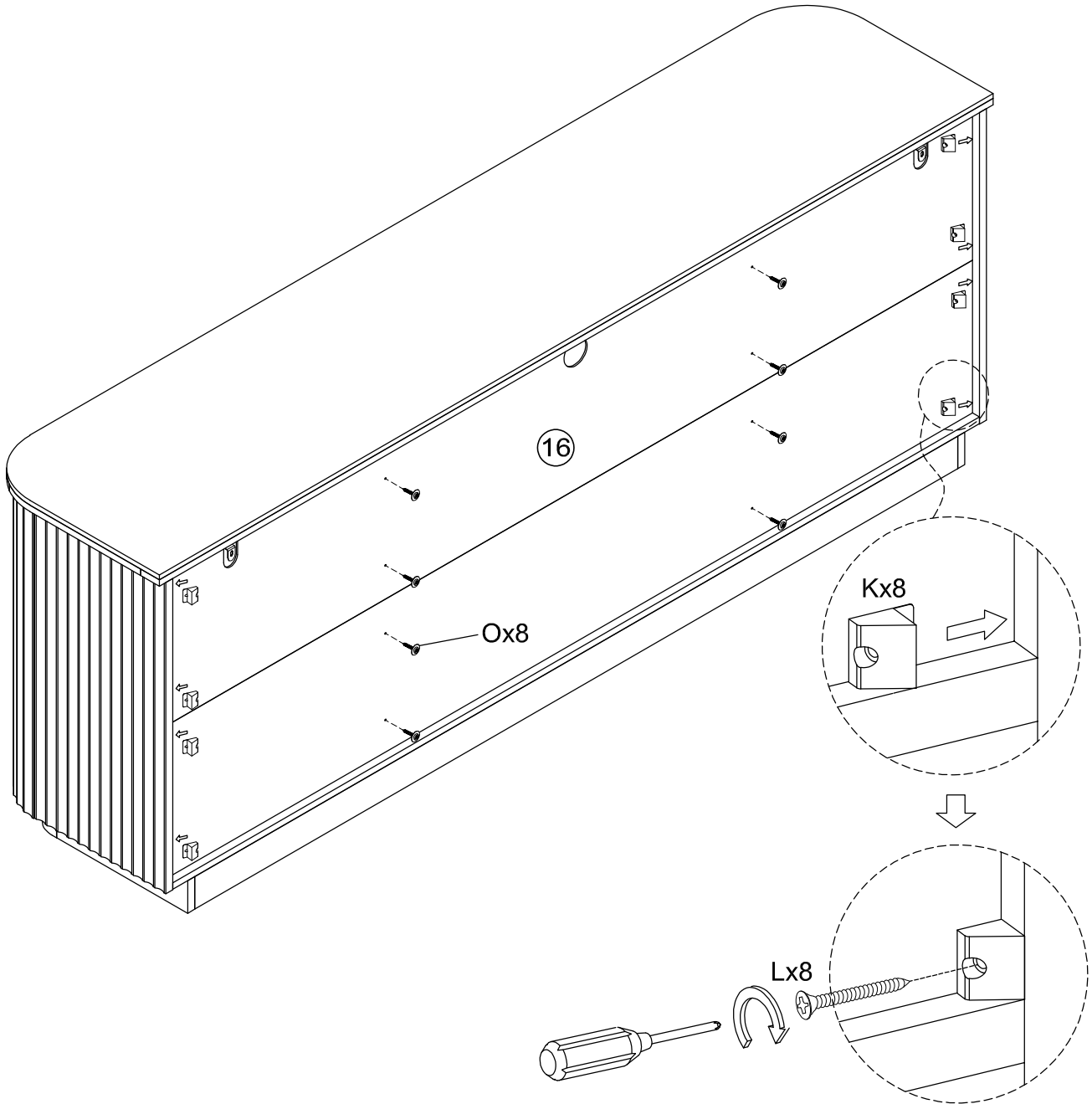


Lx8

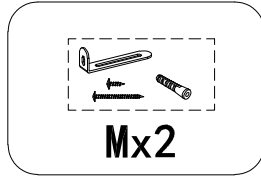


Ox8

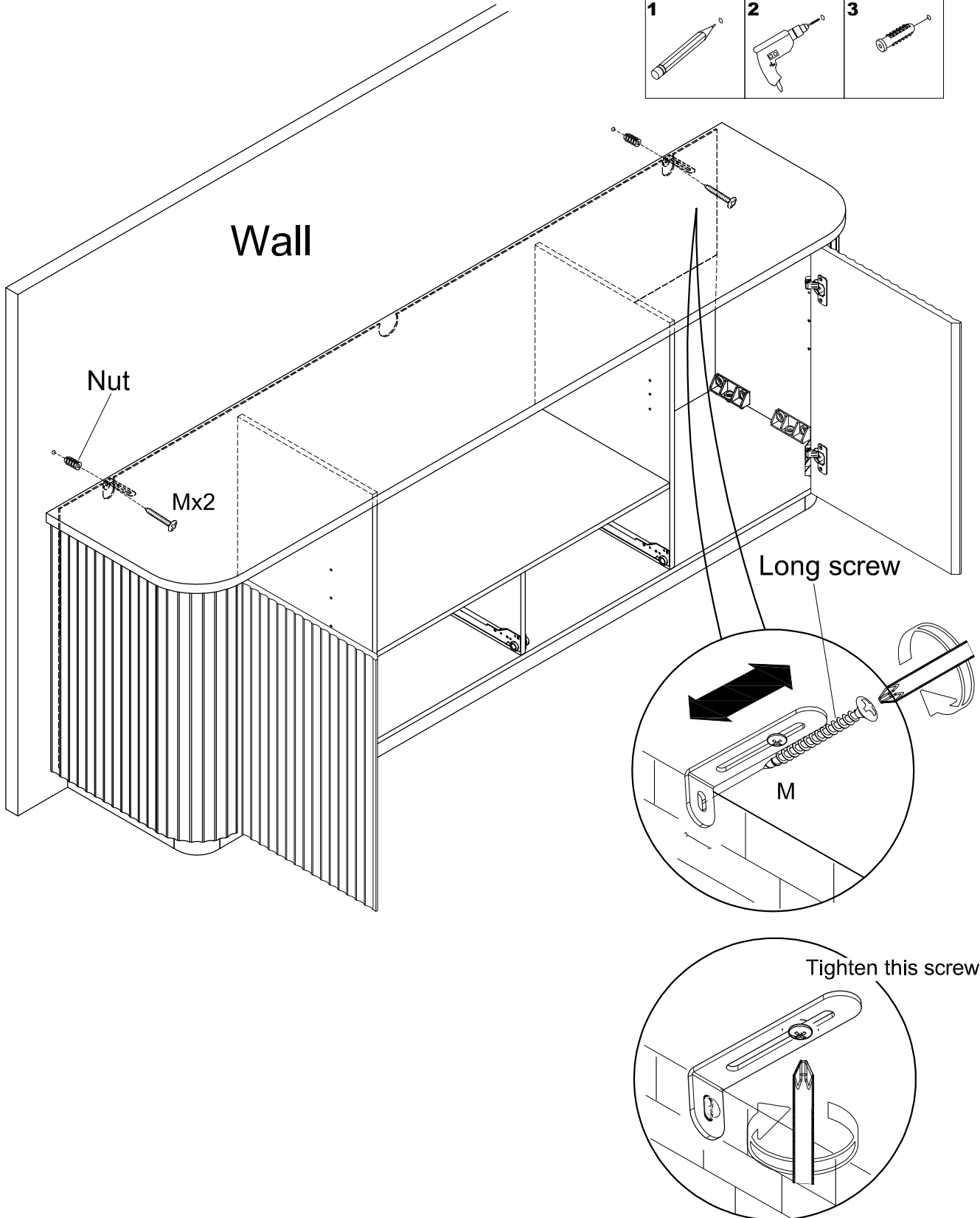
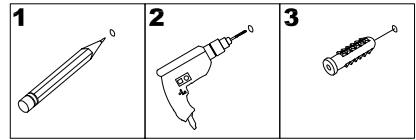
Installing back board fasteners can improve the overall stability of the furniture. It ensures the verticality of the furniture and that the door boards are level, so that the gaps are uniform.



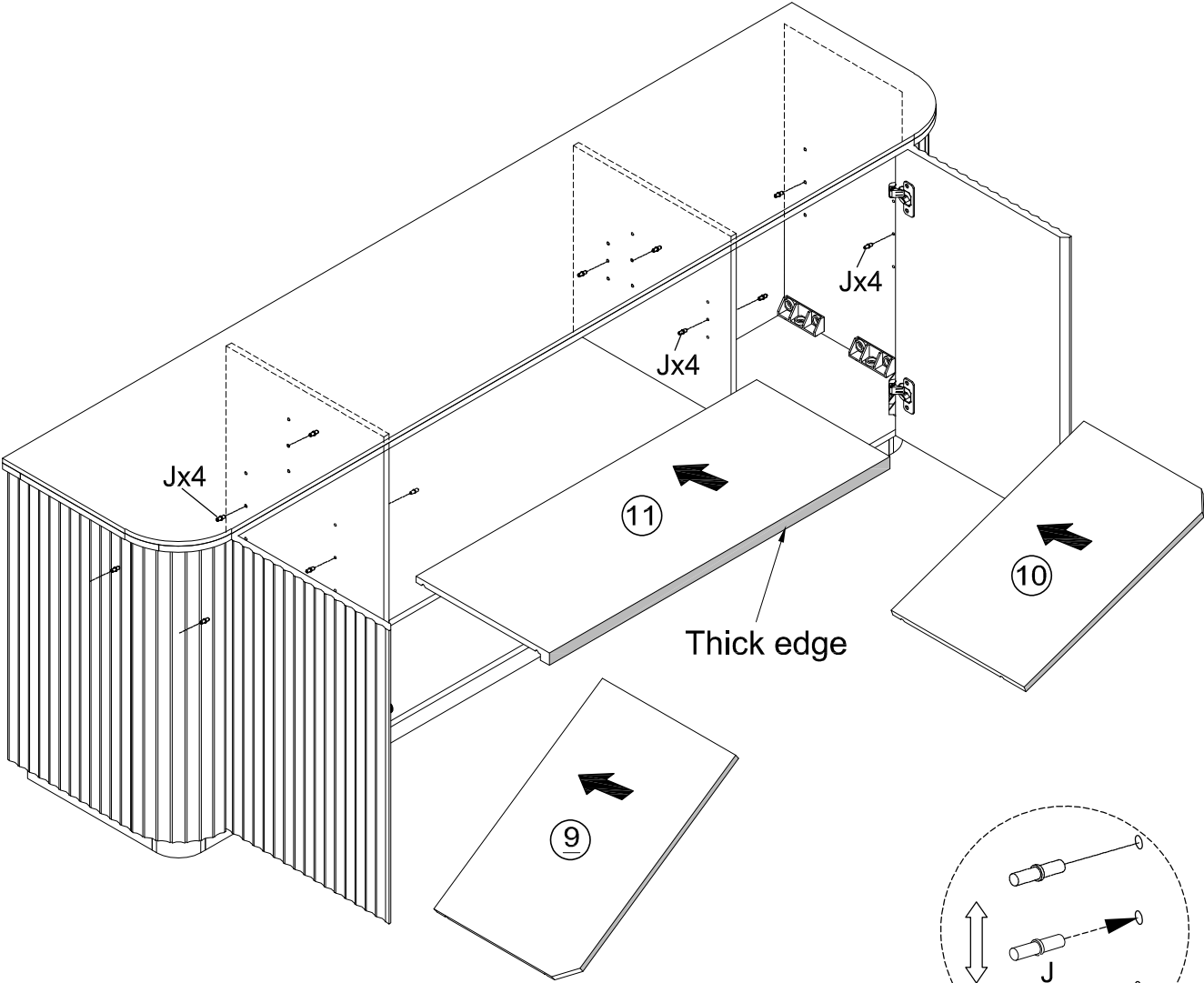
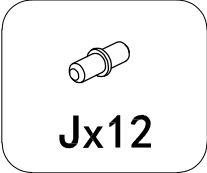
STEP 19



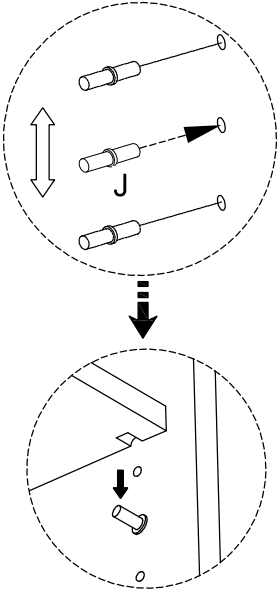
Serious or fatal injuries can occur from furniture tipping over. To prevent the furniture from tipping over, we recommend that it is permanently fixed to the wall. Wall anchor and hardware are included with this product. Please make sure hardware is suitable for your walls before installing, as different wall materials may require different types of anchors.



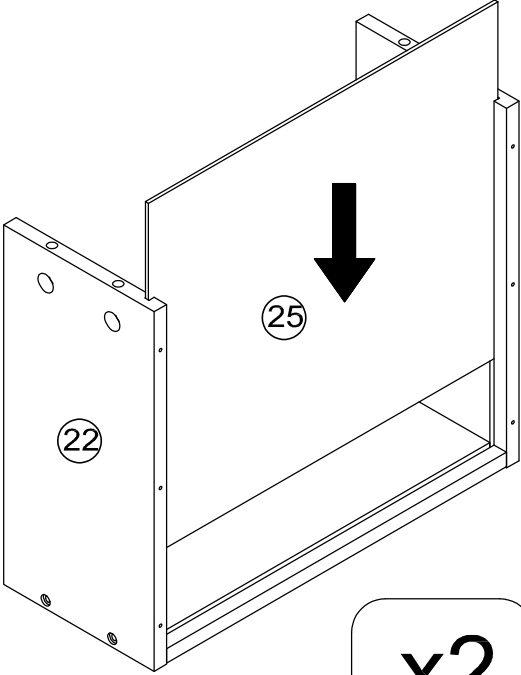
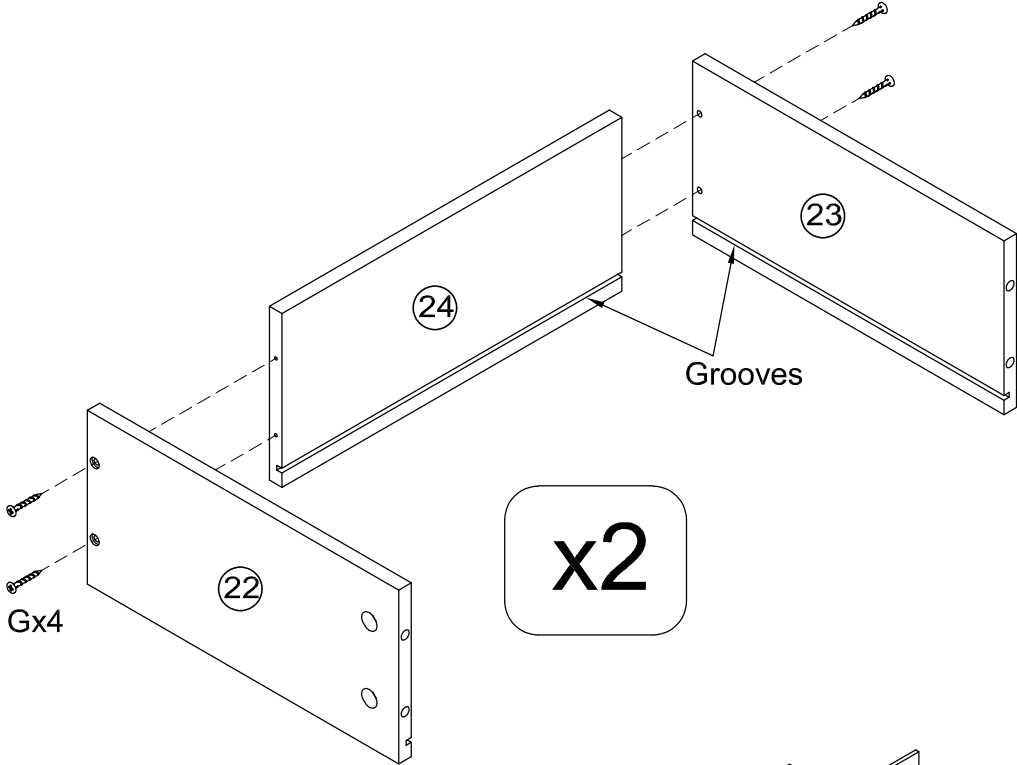
STEP 20



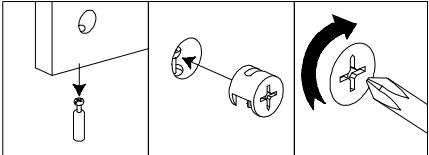
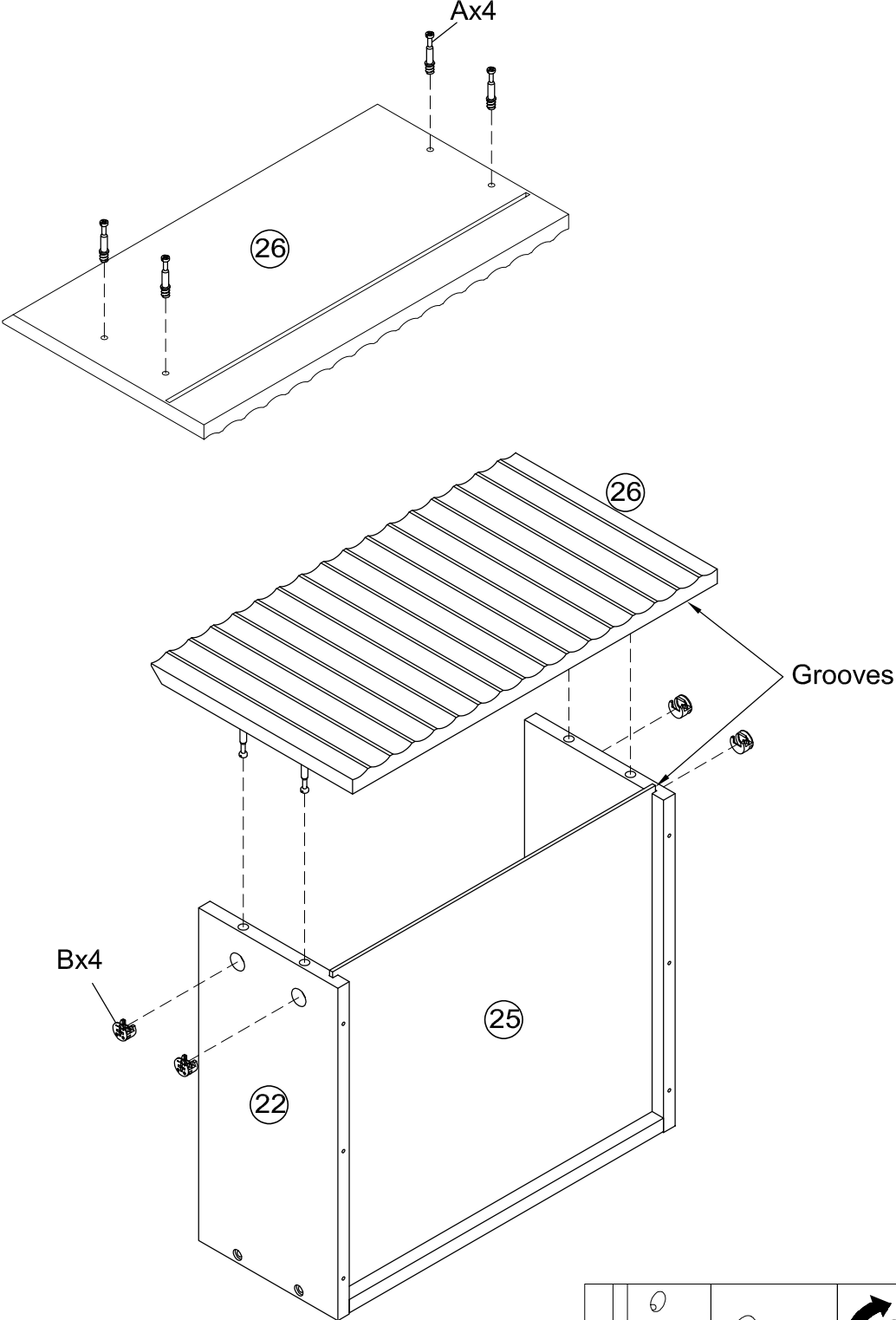
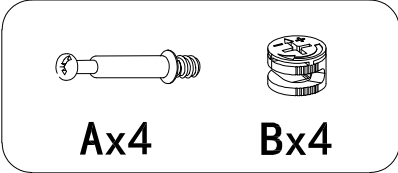
Note the beveled edge direction



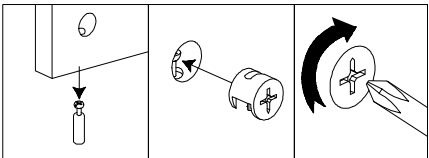
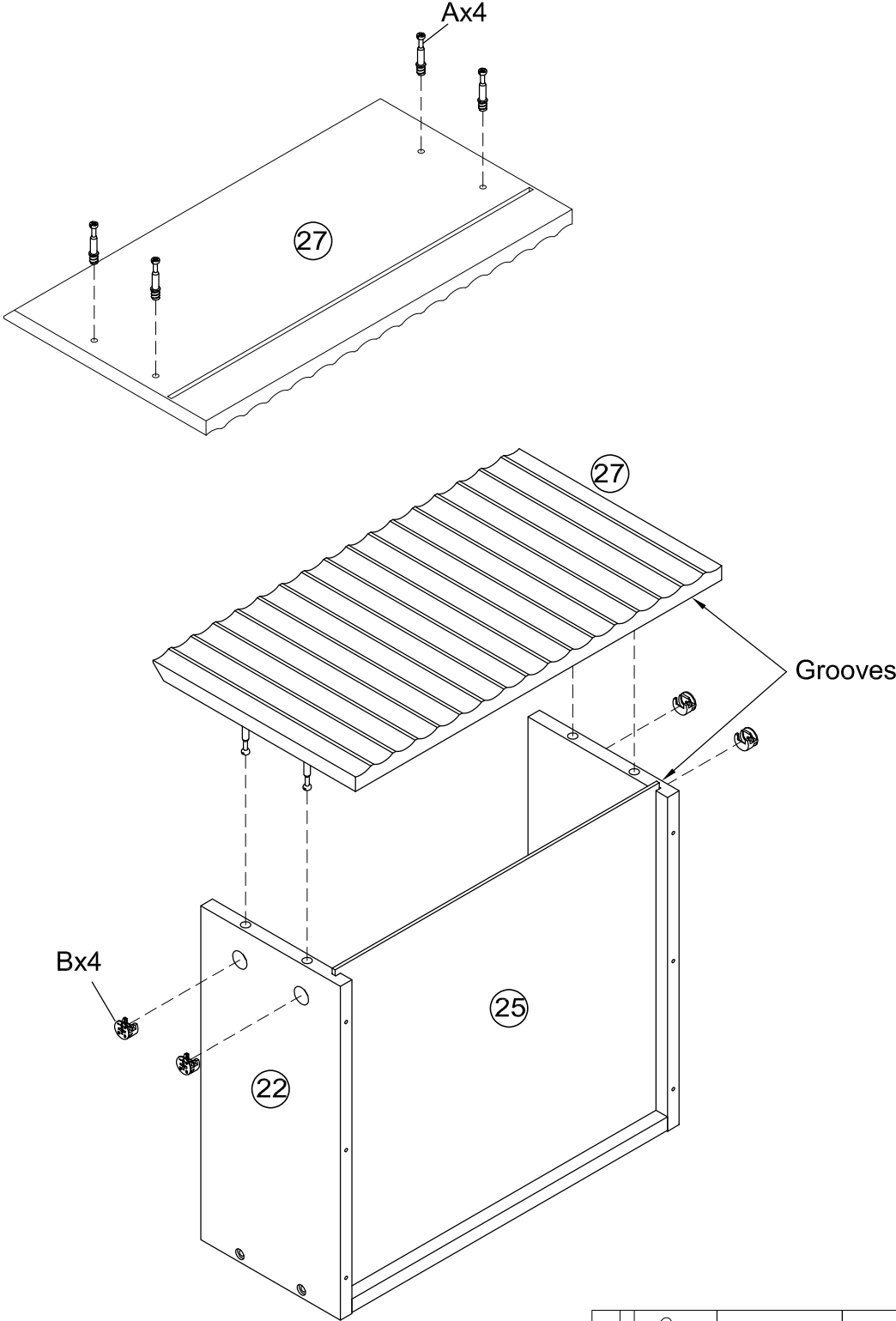
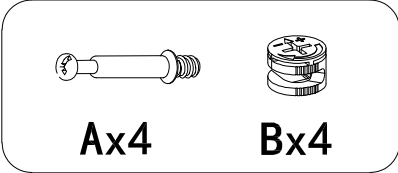
STEP 21



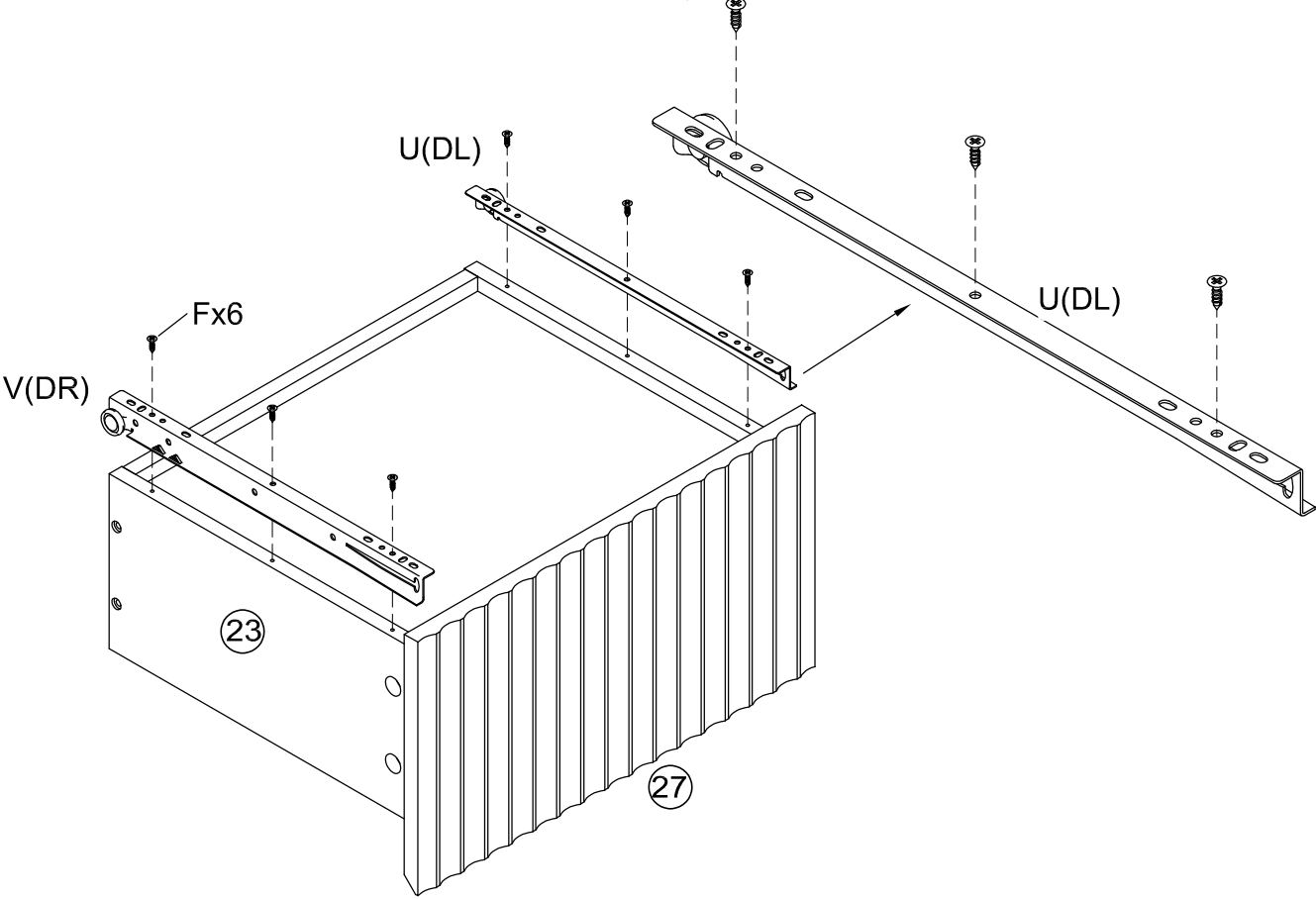
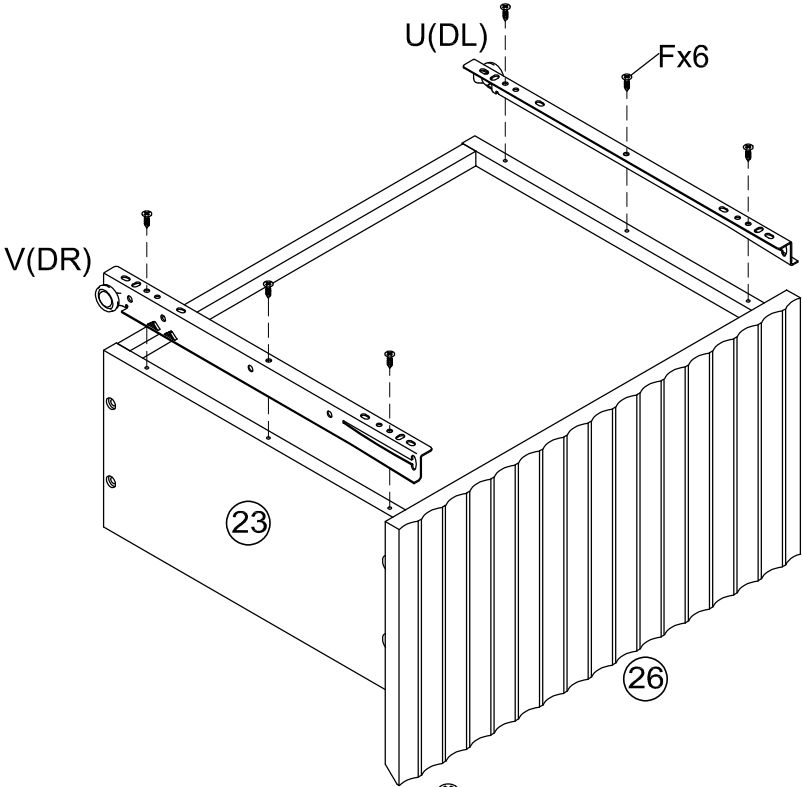
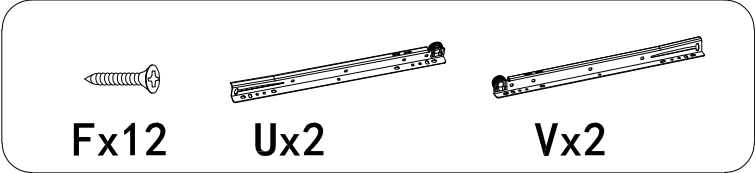
STEP 22



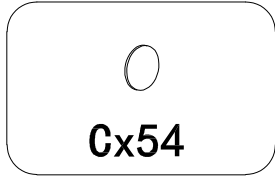
STEP 23



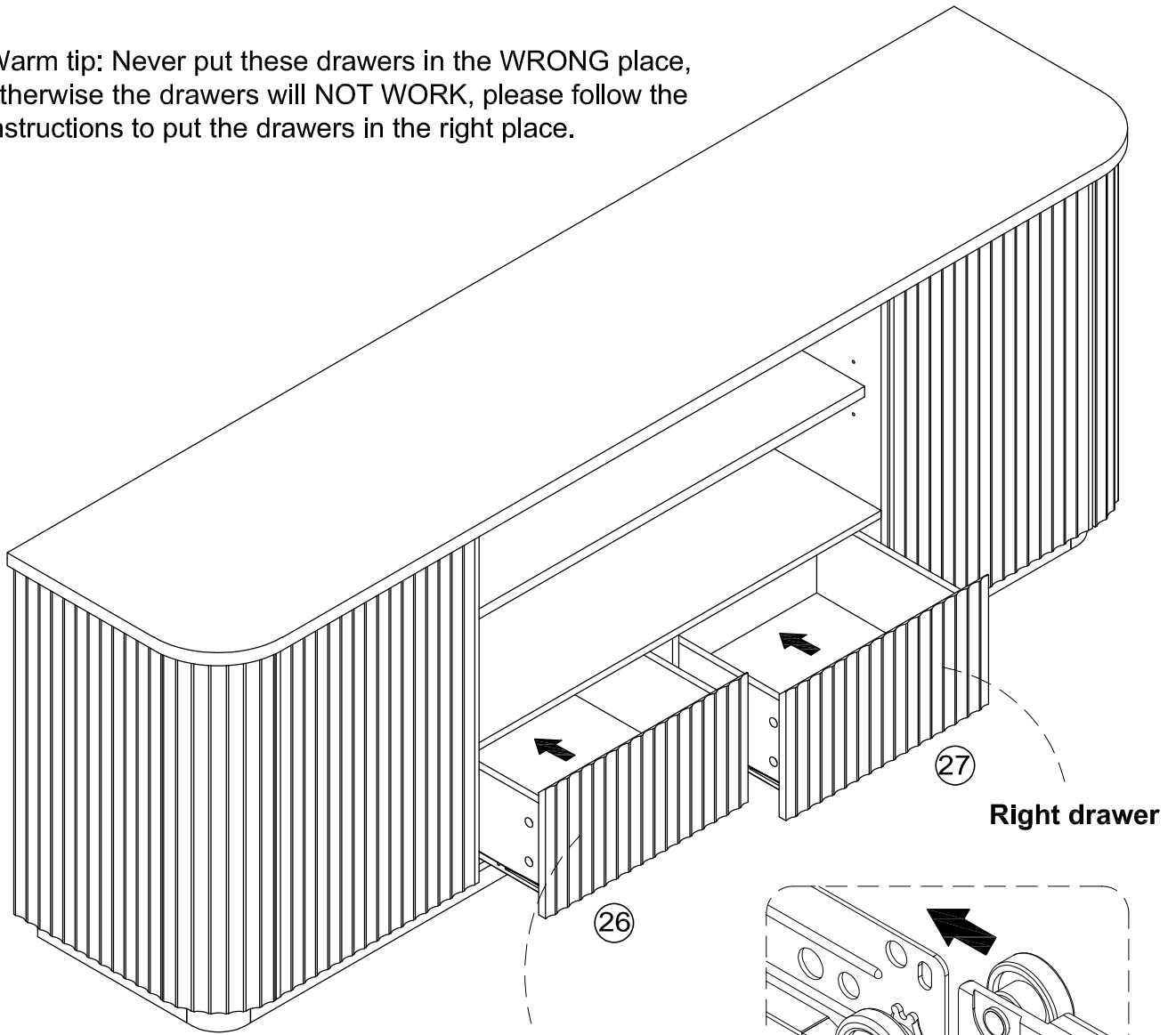
STEP 24



STEP 25

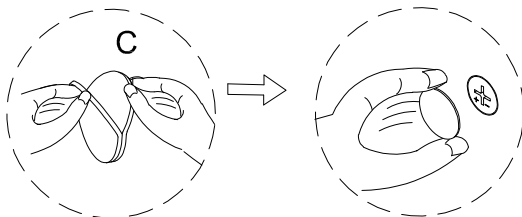
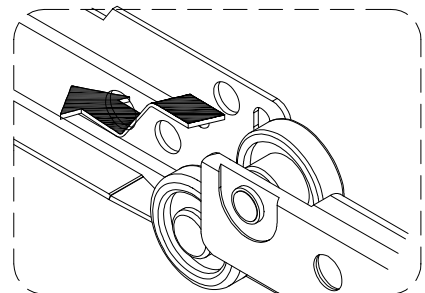
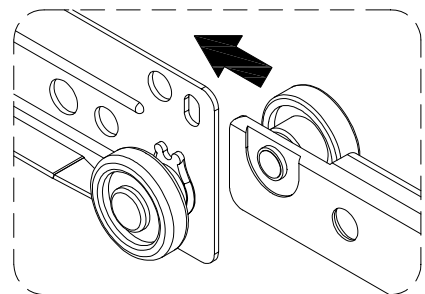


Warm tip: Never put these drawers in the WRONG place, otherwise the drawers will NOT WORK, please follow the instructions to put the drawers in the right place.



Left drawer

Right drawer



· Stick stickers (C) on cam locks (B).

Final Assembly