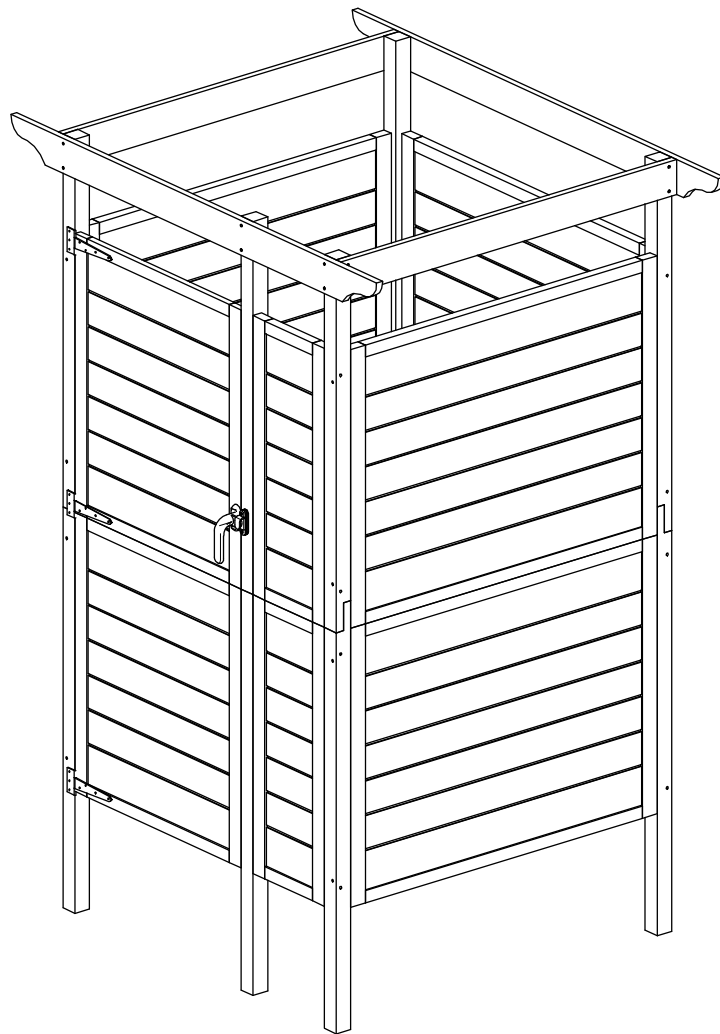


OUTDOOR SHOWER ENCLOSURE

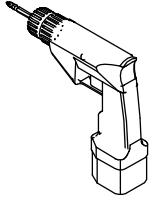


**This product contains multiple parts.
Read the manual thoroughly before assembly. Follow
instructions carefully and use tools safely.
For assistance, contact our support team. Responses within
24 hours.**

Before You Start

Outdoor Shower Enclosure Installation Guide Before You Begin

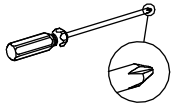
Recommended Crew: 1-2 people



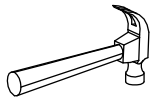
Preparation:

Read all instructions in sequence before starting.

Inventory Check: Separate and count all parts to ensure nothing is missing.



Workspace: Clear a spacious, level area for assembly.



Required Tools:

Power Drill

Phillips Head Screwdriver

Hammer

Power Tool Tip:

When using a power drill/screwdriver, reduce speed near the end and stop immediately once the screw is tight.

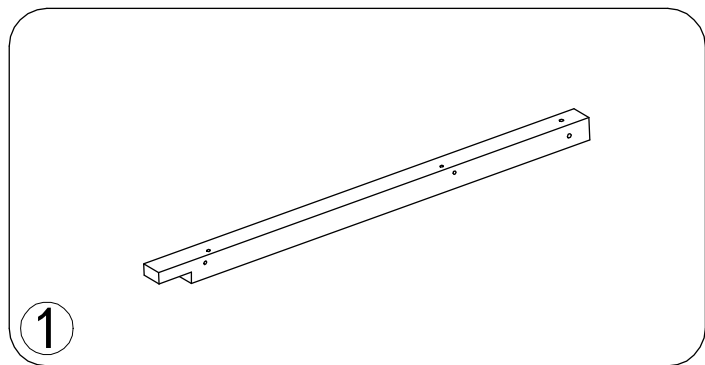
Over-tightening may strip the screw.

Tip: An electric screwdriver speeds up assembly but requires extra caution.

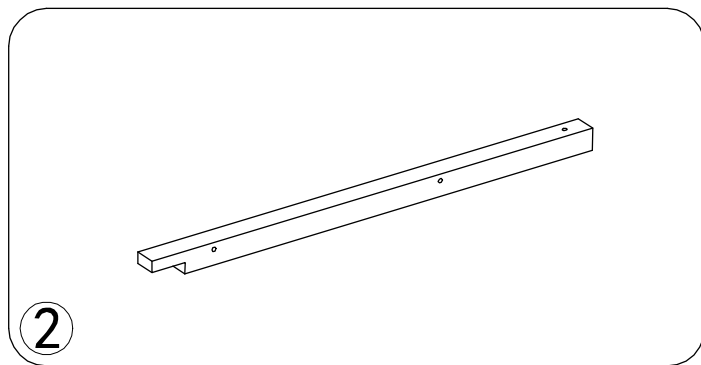
Critical Safety Notes:

When tilting or repositioning the shower enclosure, always lift with two people to prevent damage to the frame or legs.

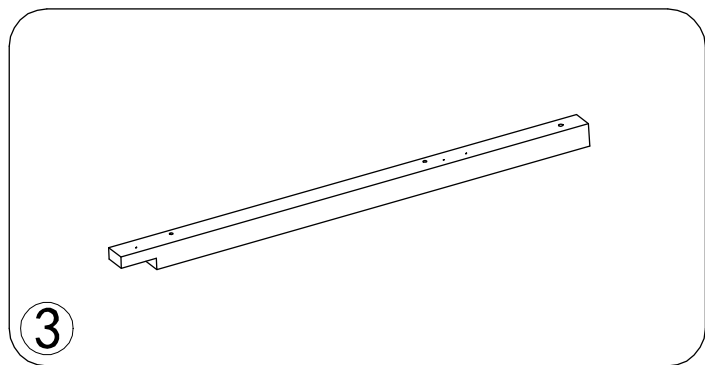
PART LIST



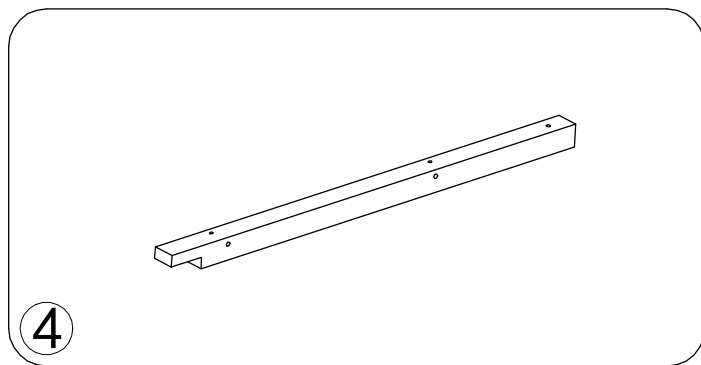
2 PCS



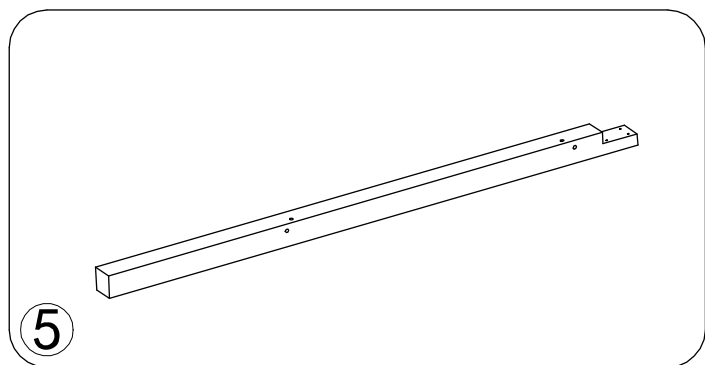
1 PCS



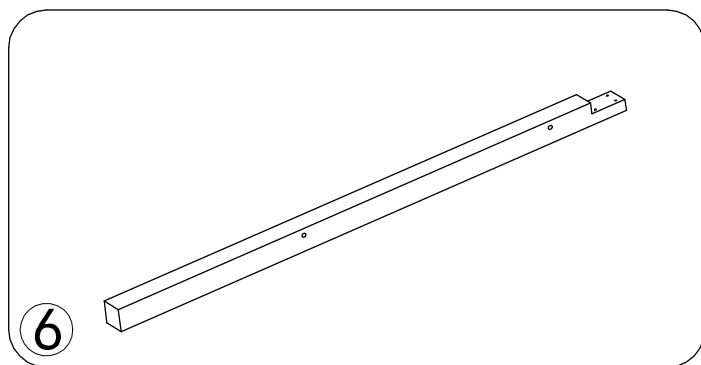
1 PCS



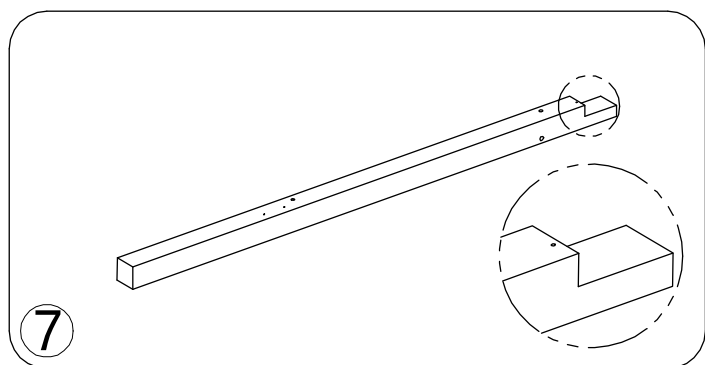
1 PCS



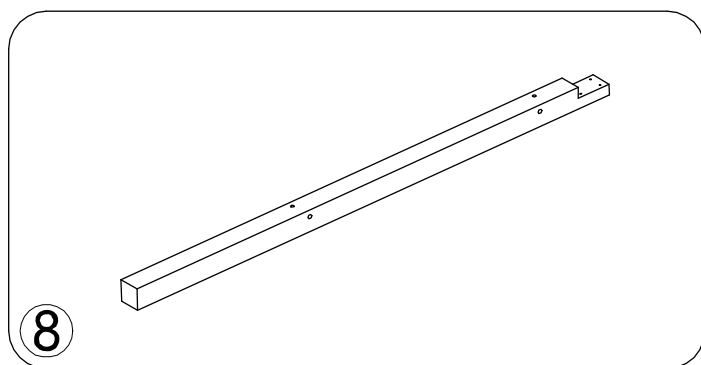
2 PCS



1 PCS

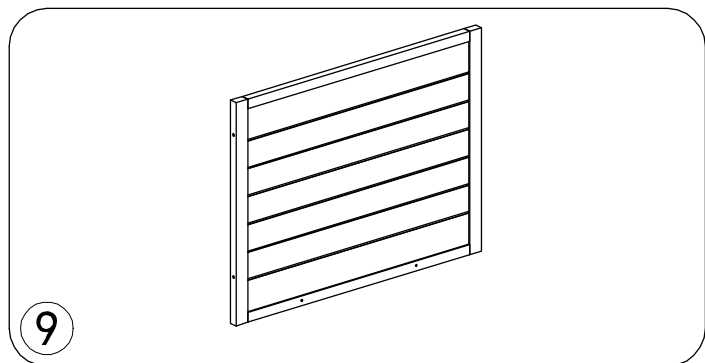


1 PCS



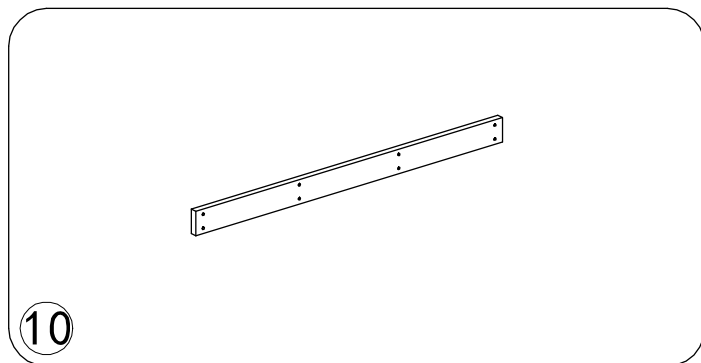
1 PCS

PART LIST



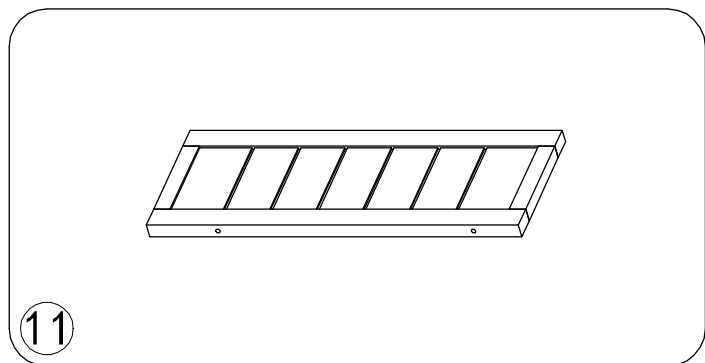
9

6 PCS



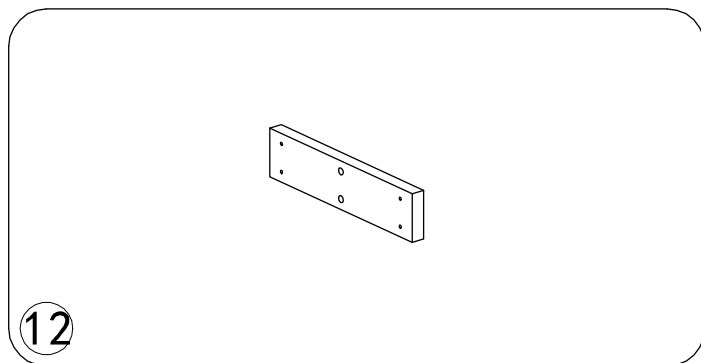
10

3 PCS



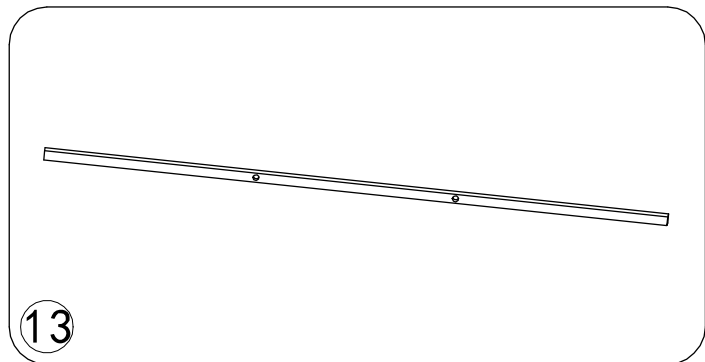
11

2 PCS



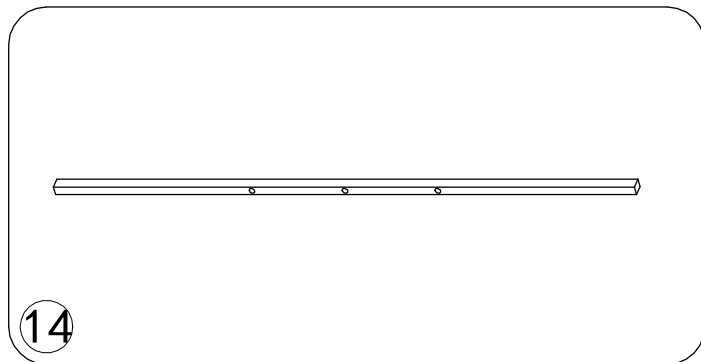
12

1 PCS



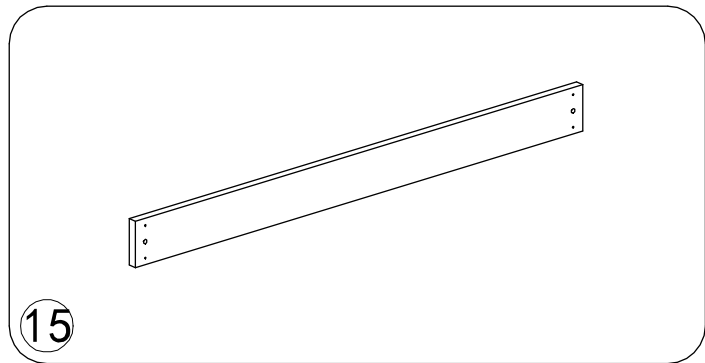
13

1 PCS



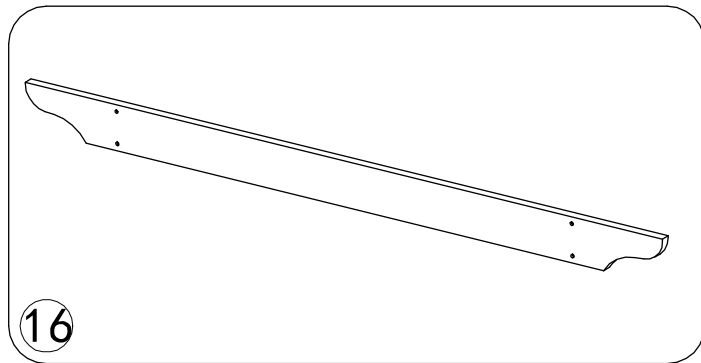
14

1 PCS



15

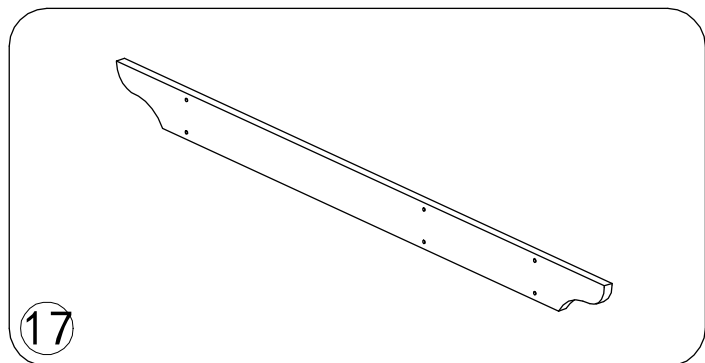
2 PCS



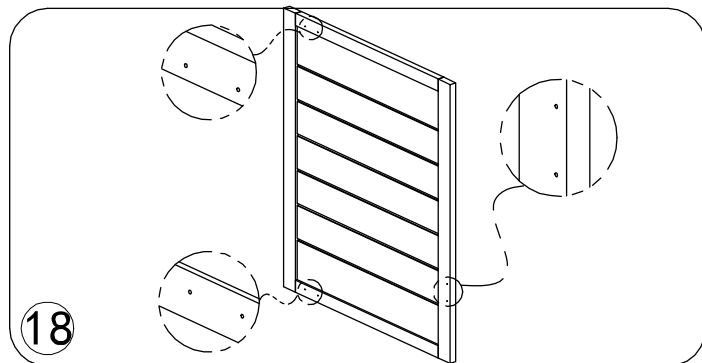
16

1 PCS

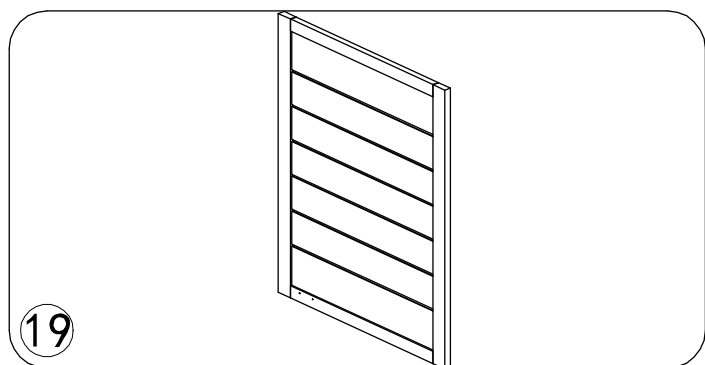
PART LIST



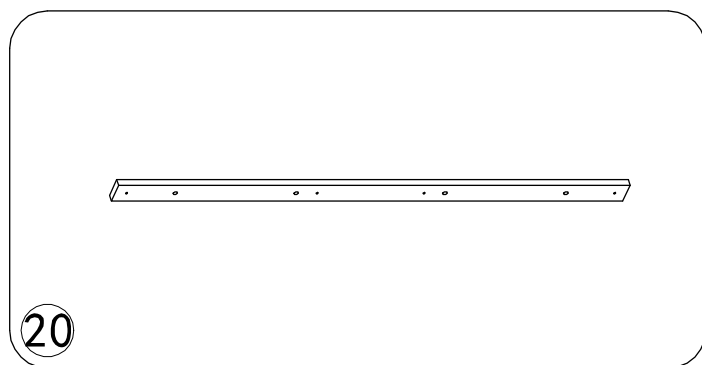
1 PCS



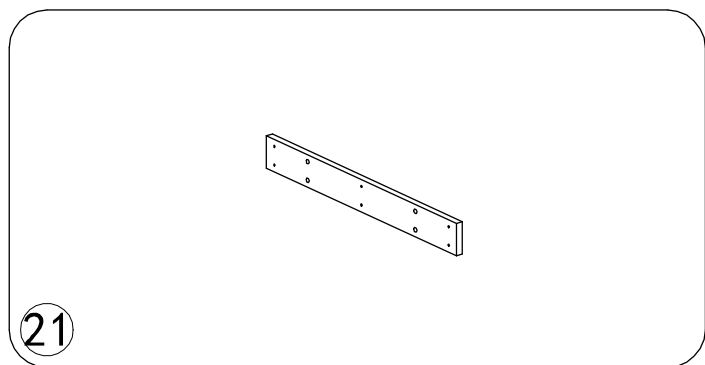
1 PCS



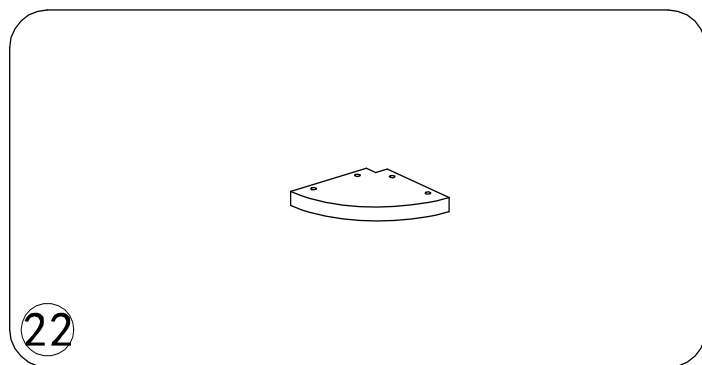
1 PCS



2 PCS



1 PCS



2 PCS

HARDWARE LIST



4x40

A

32+5 PCS



4x35

B

20+3 PCS



4x30

C

18+3 PCS



4x25

D

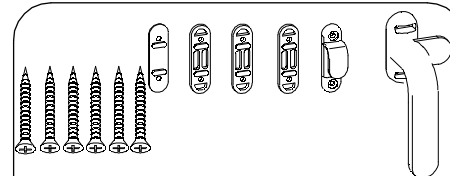
58+5 PCS



4x16

E

25+5 PCS



F

1 PCS



8x30

G

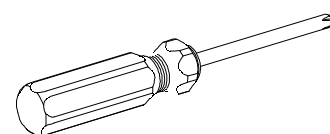
45+5 PCS



8x20

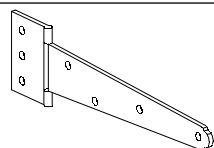
H

33+5 PCS



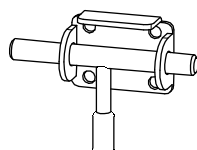
I

1 PCS



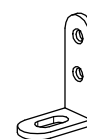
3 PCS

J



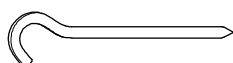
1 PCS

K



5 PCS

L



5 PCS

M

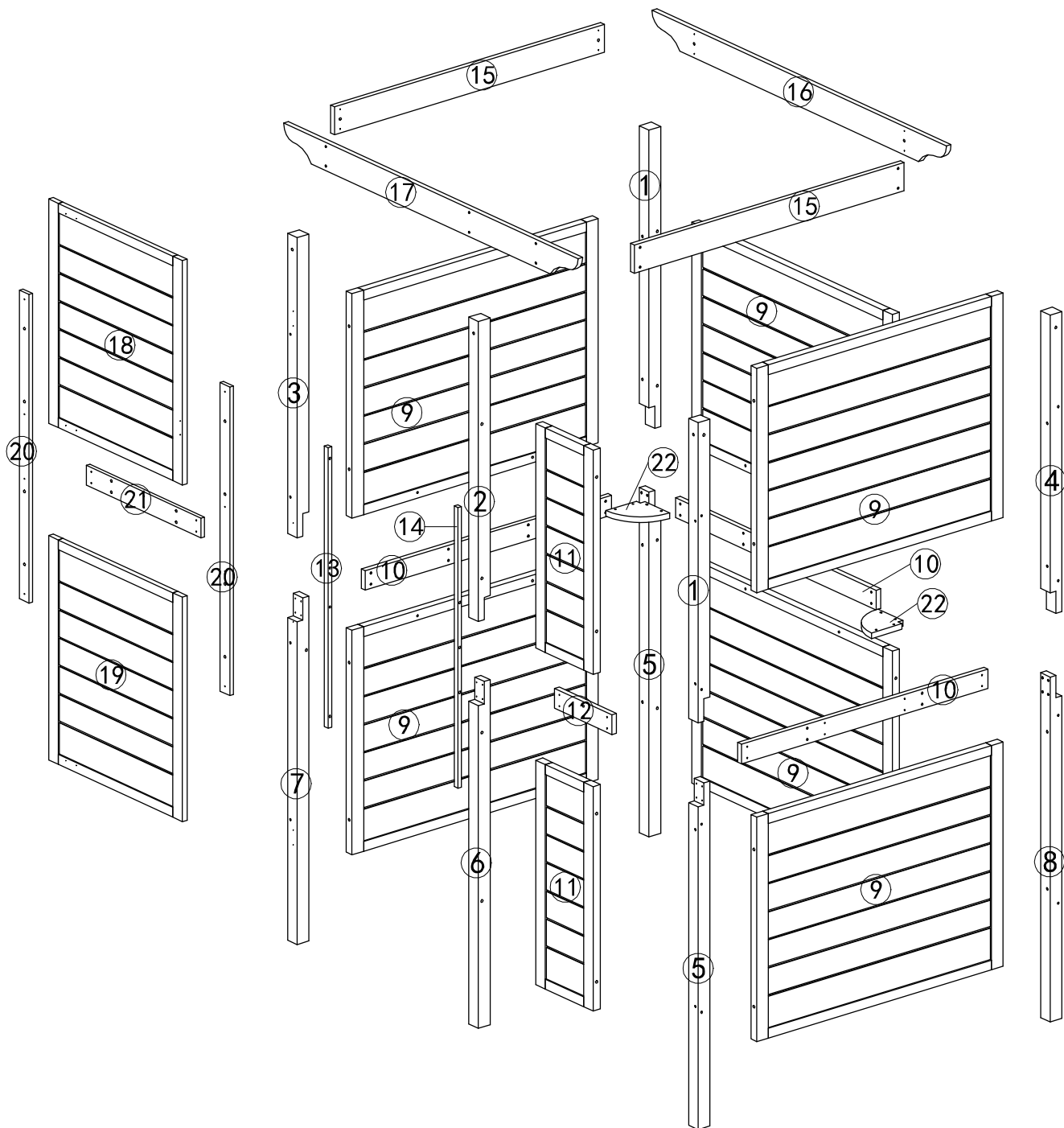


4x20

N

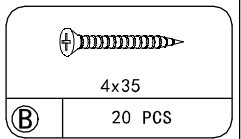
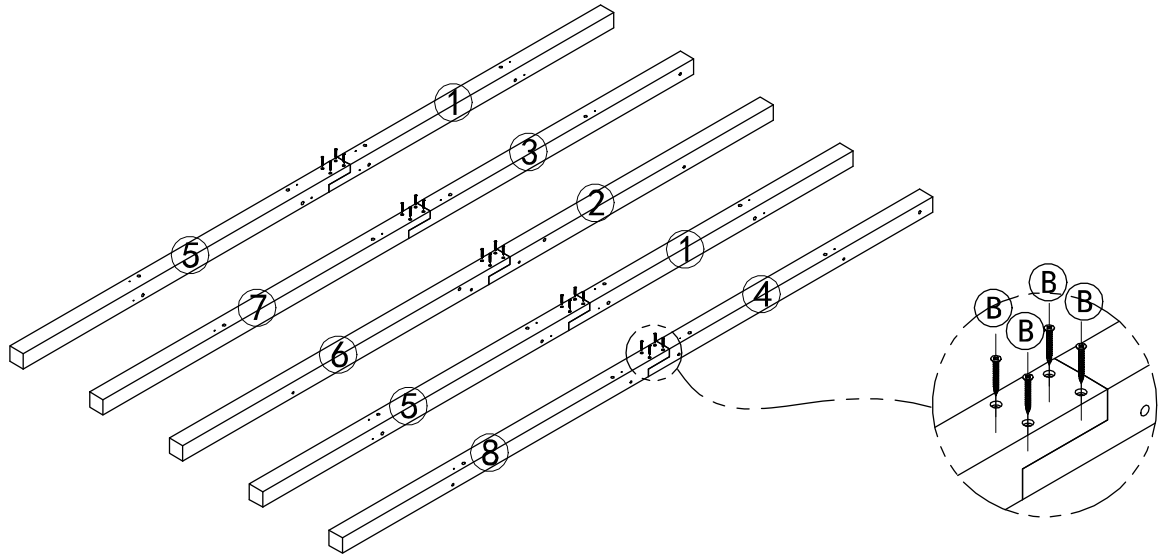
10+2 PCS

EXPLODED VIEW

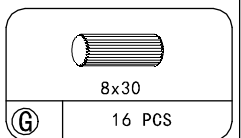
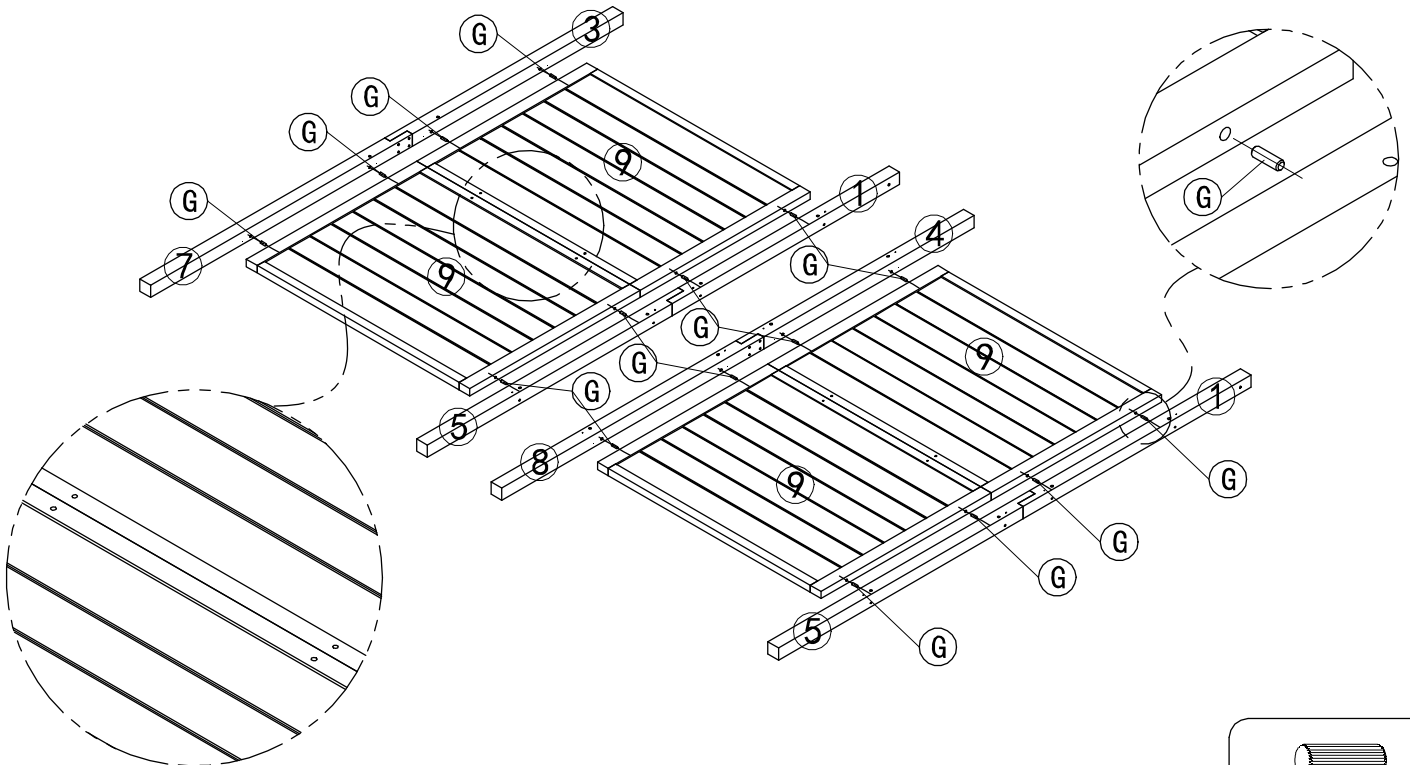


INSTALLATION STEPS

STEP 1

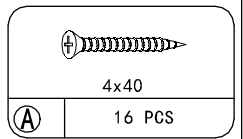
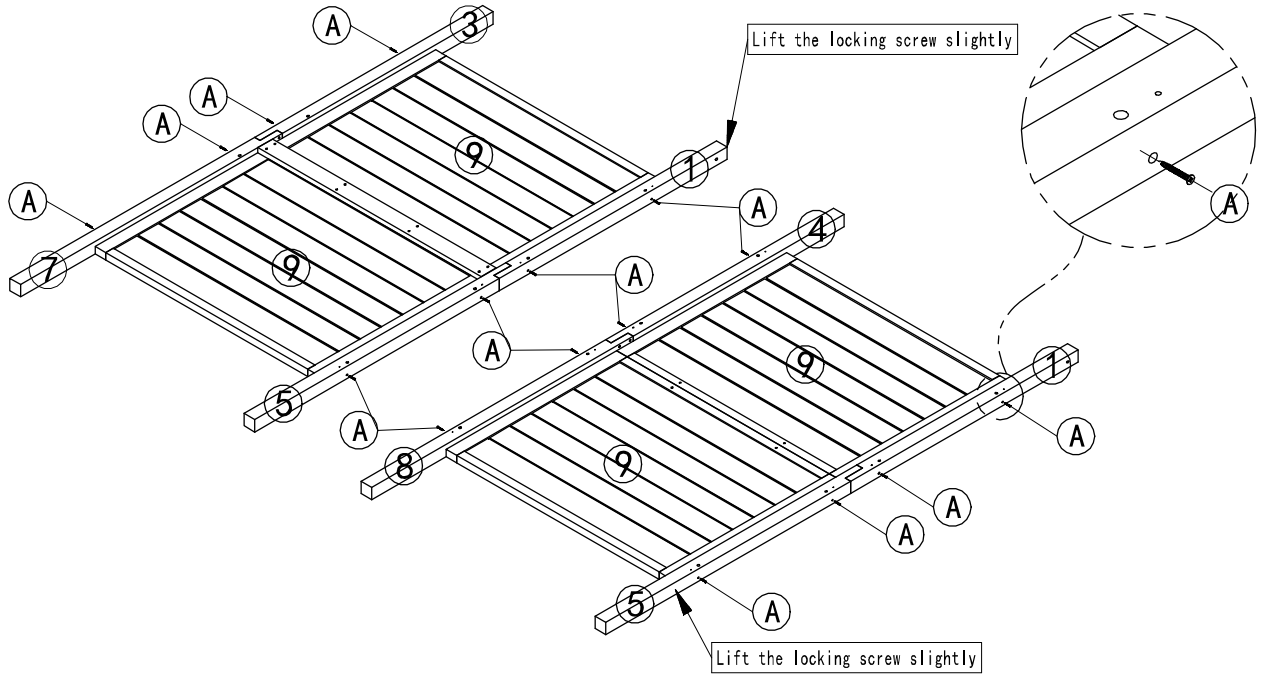


STEP 2

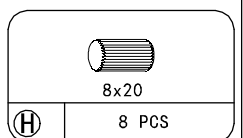
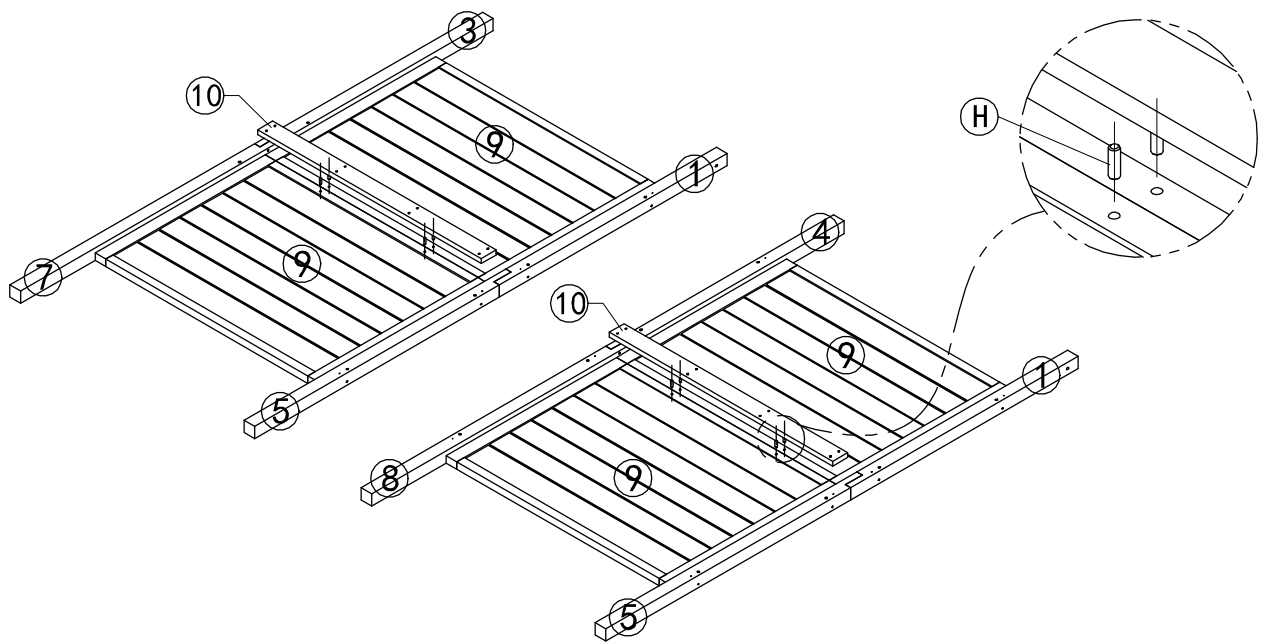


INSTALLATION STEPS

STEP 3

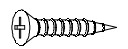
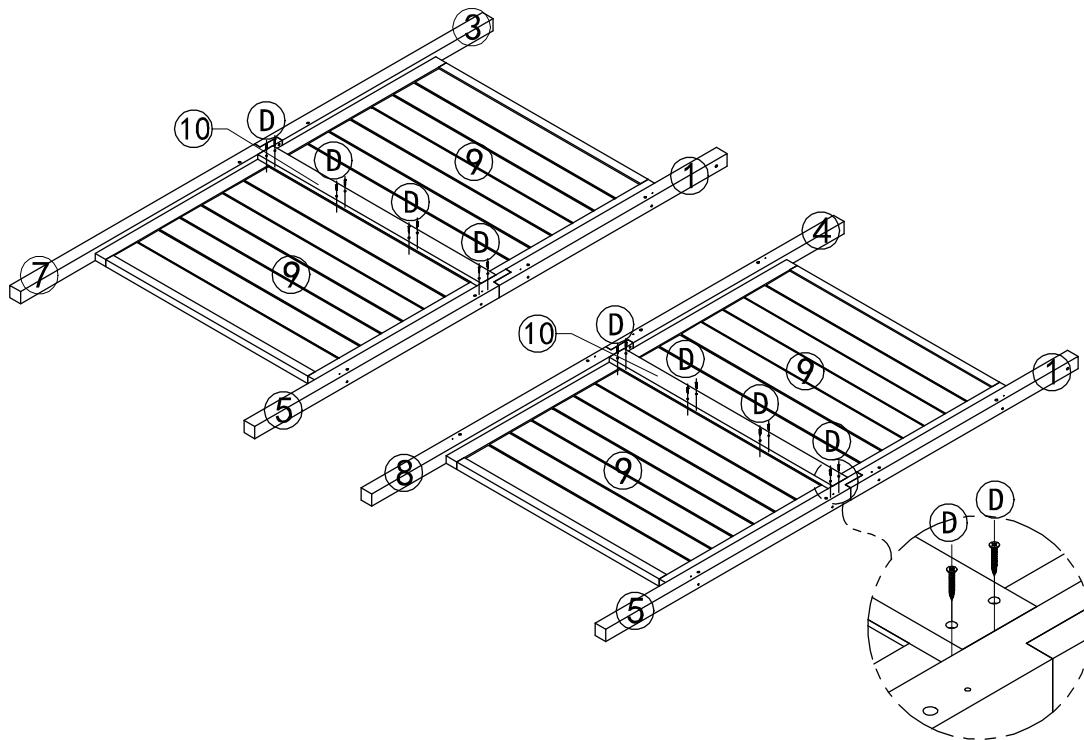


STEP 4



INSTALLATION STEPS

STEP5

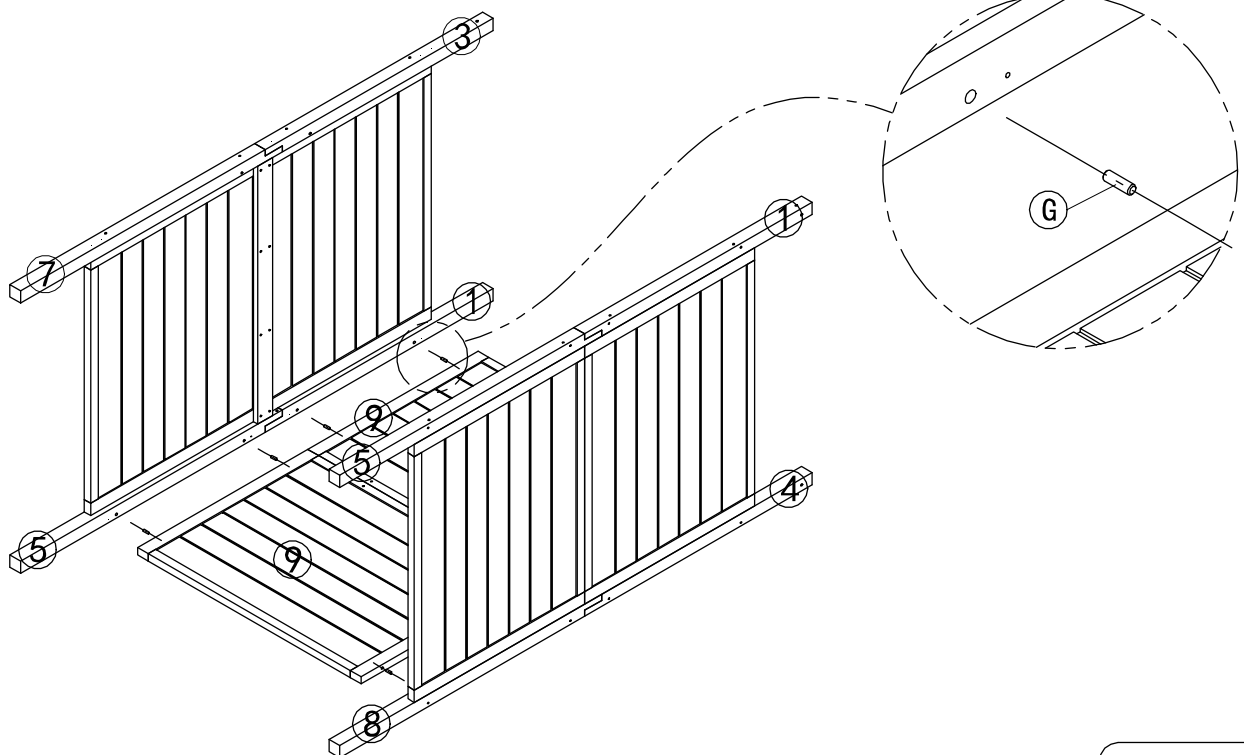


4x25

(D)

16 PCS

STEP6



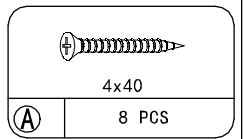
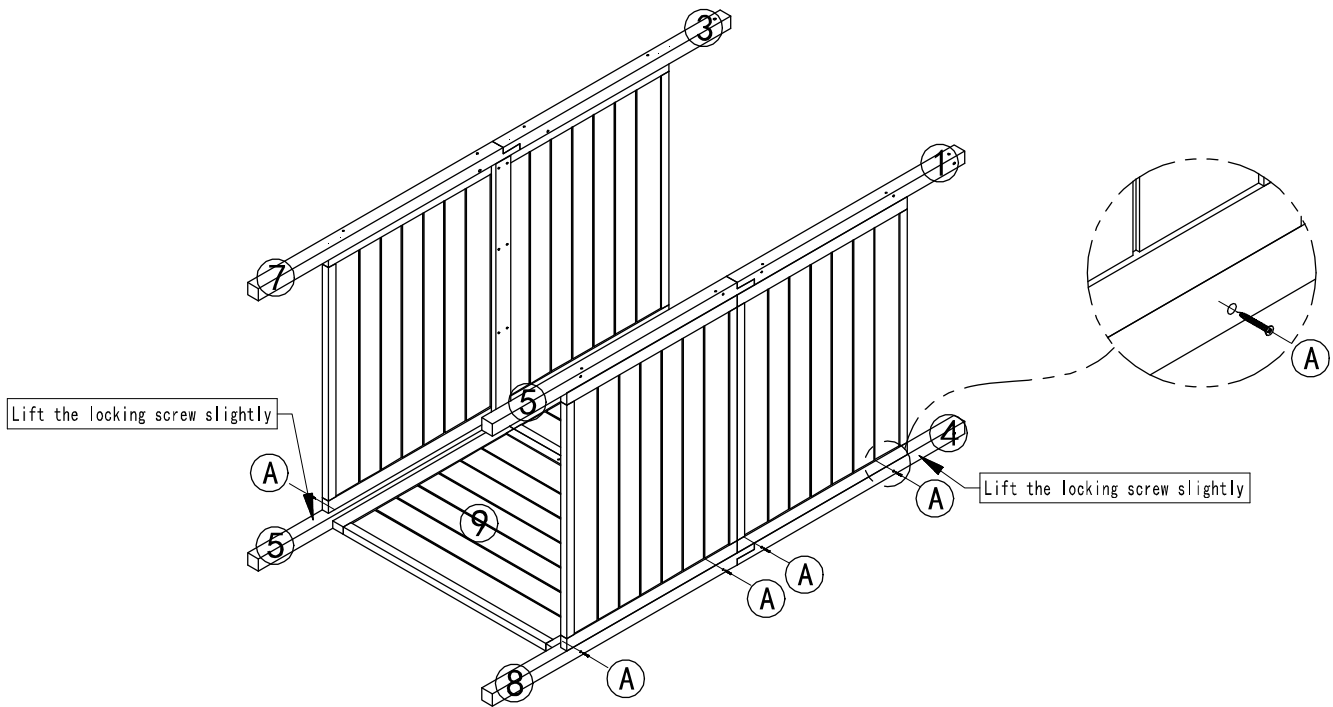
8x30

(G)

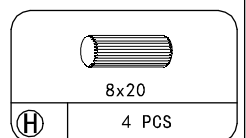
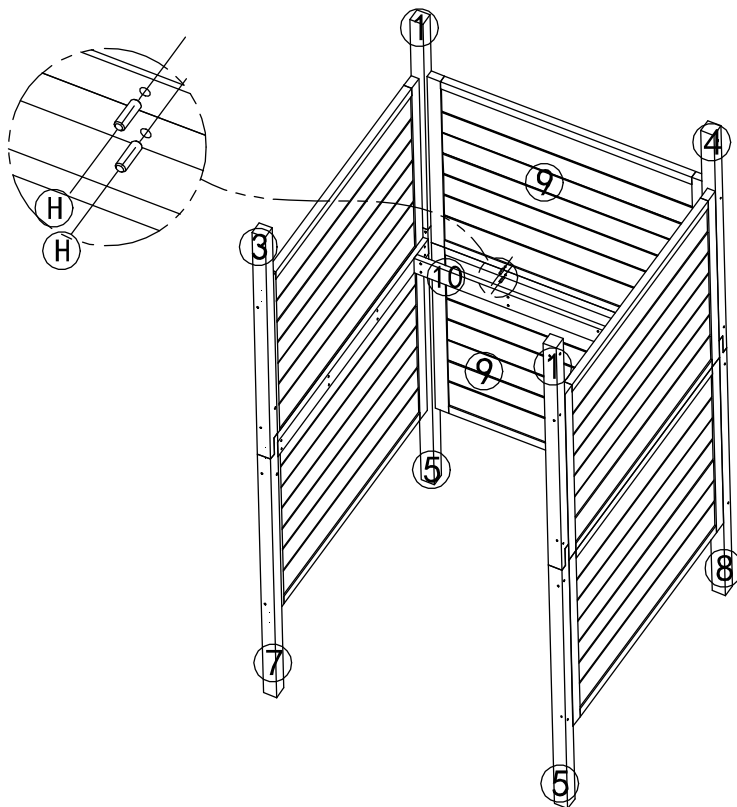
8 PCS

INSTALLATION STEPS

STEP 7

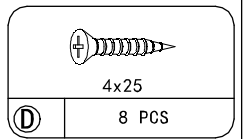
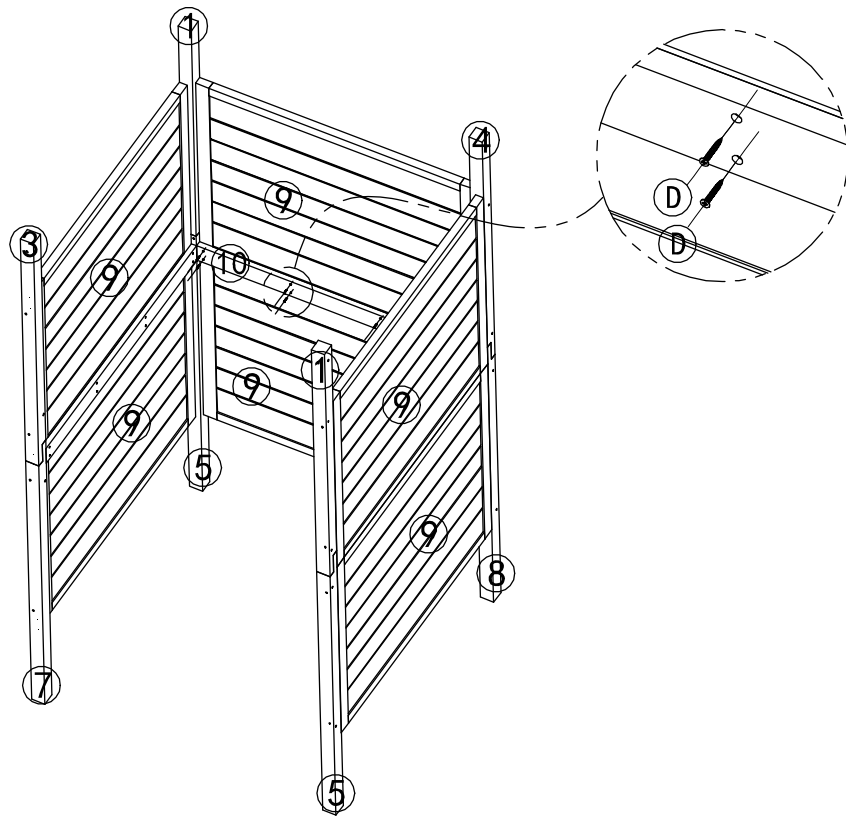


STEP 8

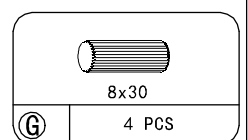
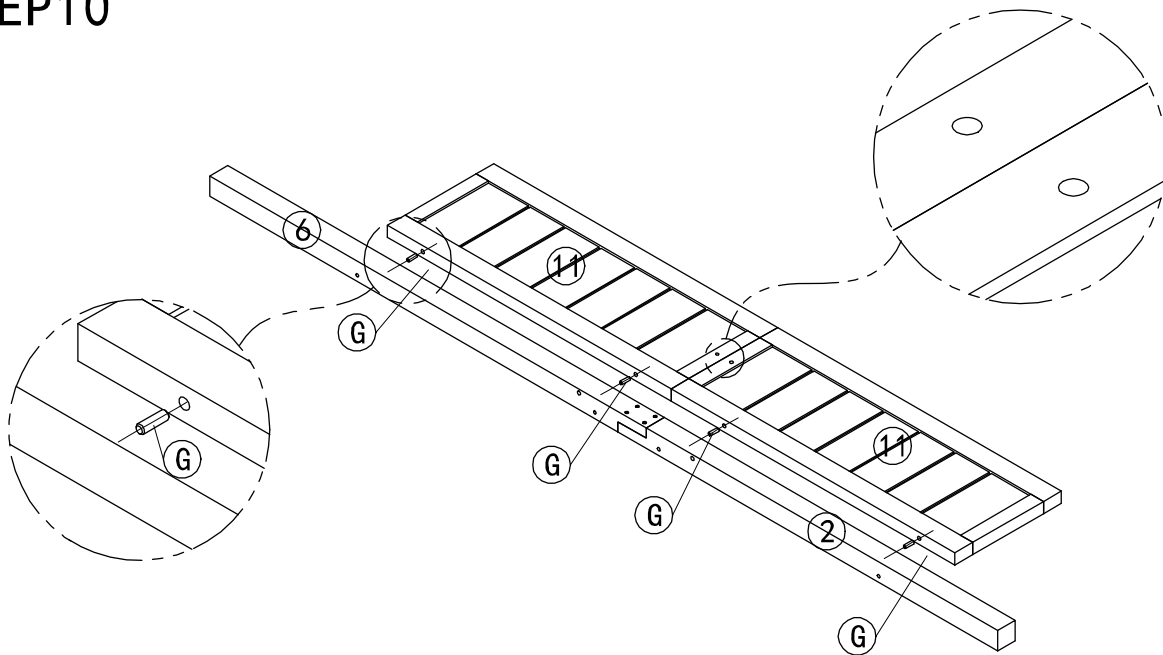


INSTALLATION STEPS

STEP 9

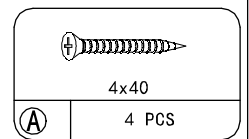
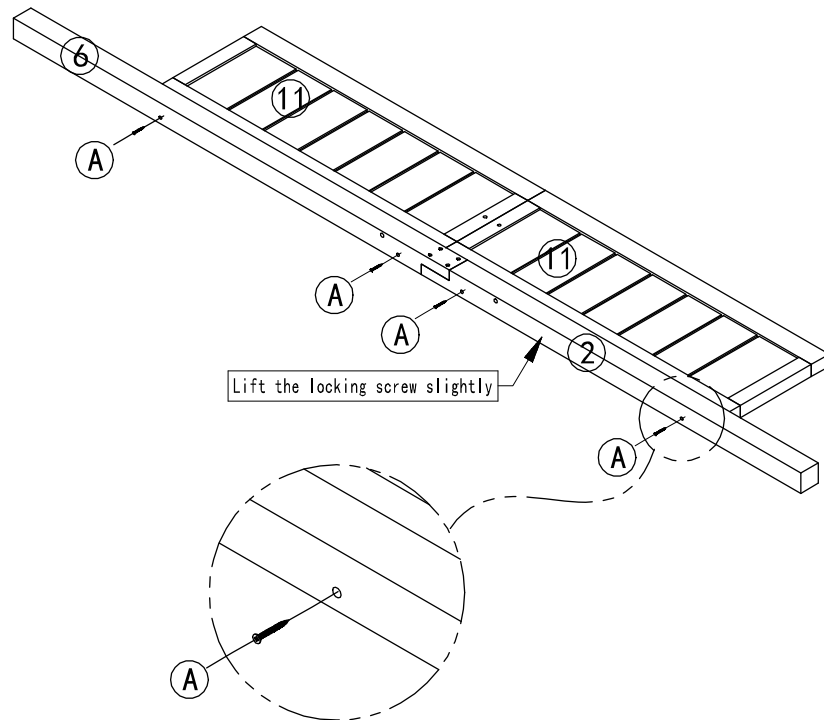


STEP 10

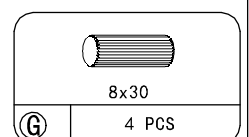
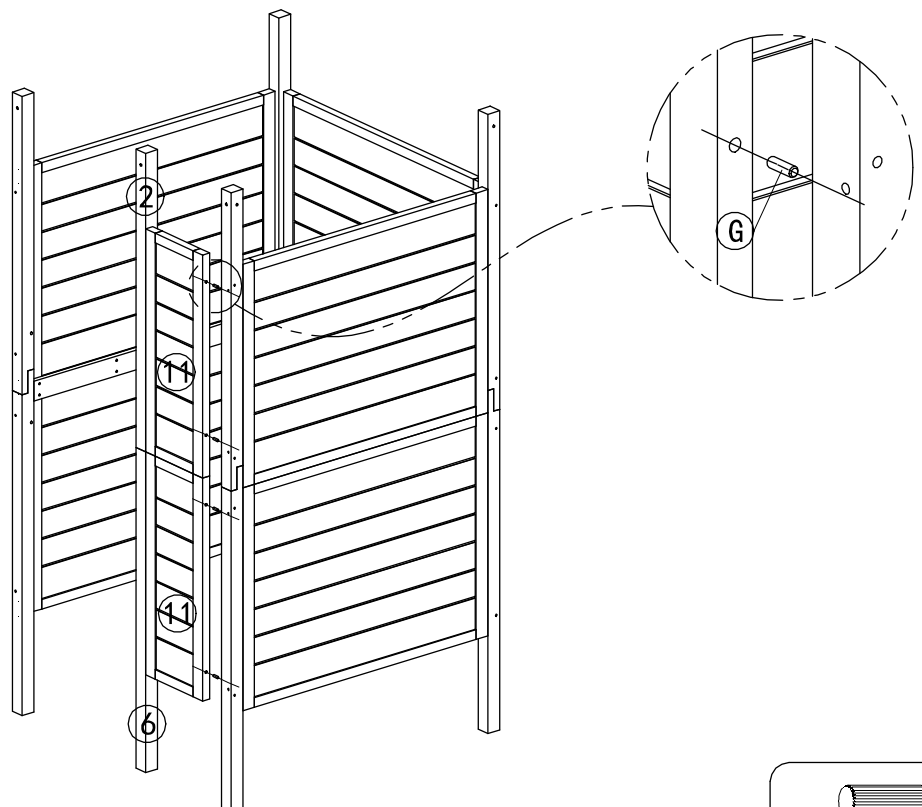


INSTALLATION STEPS

STEP 11

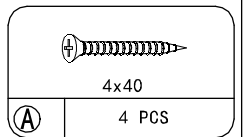
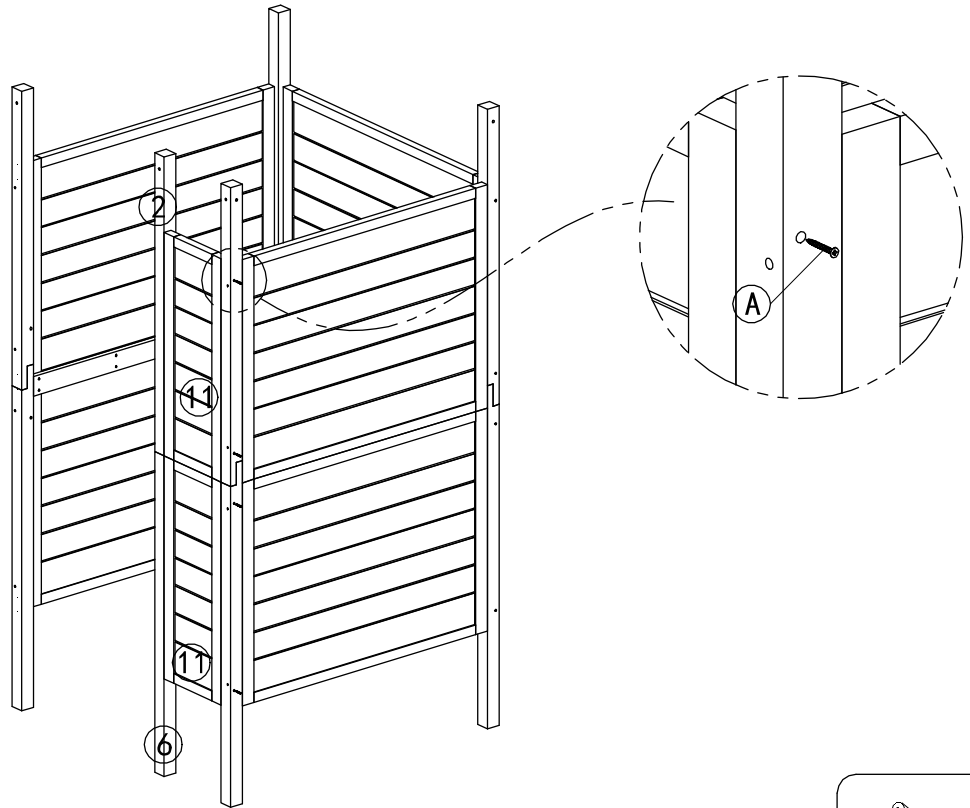


STEP 12

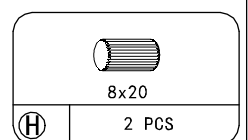
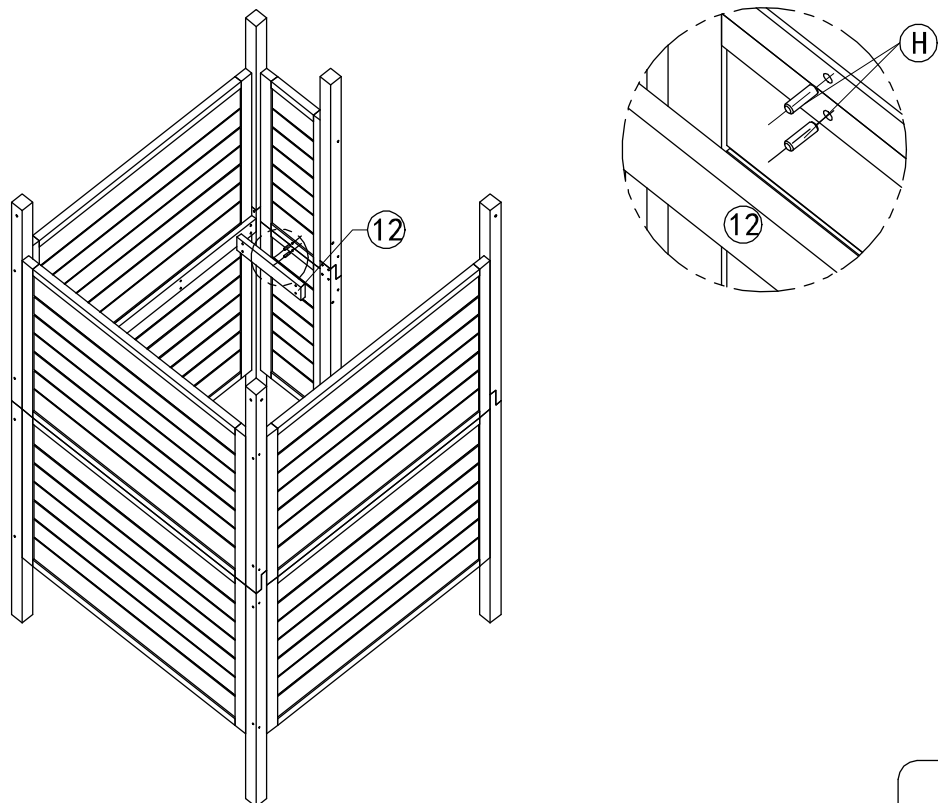


INSTALLATION STEPS

STEP 13

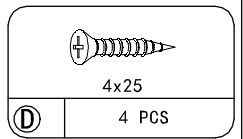
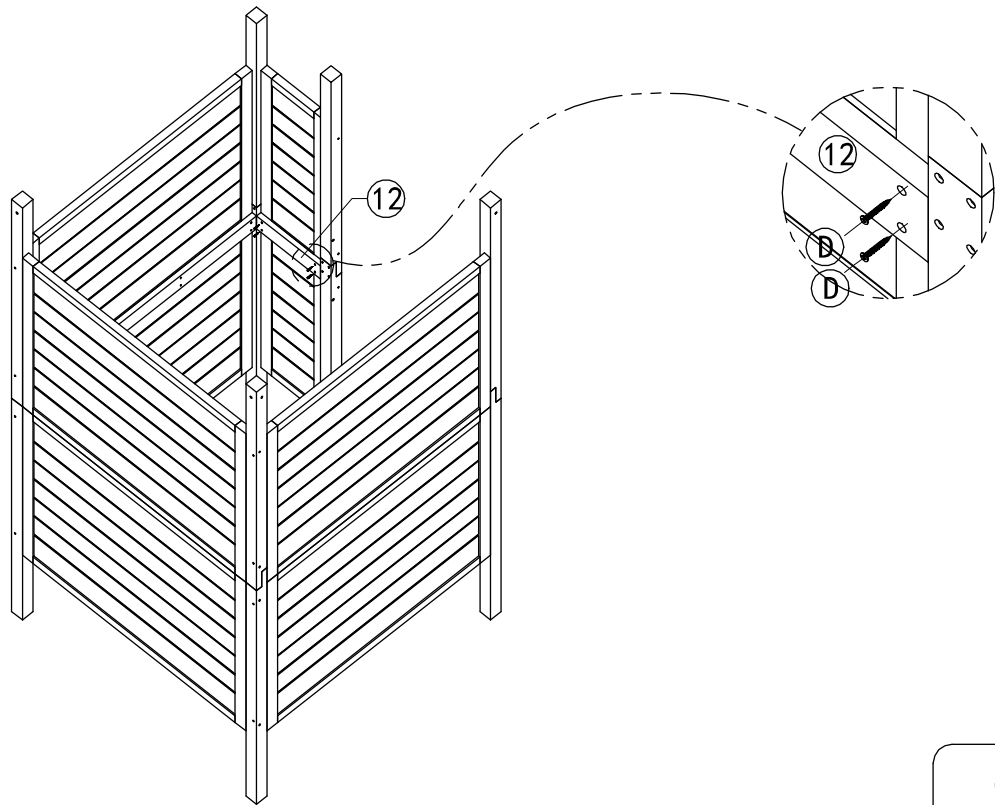


STEP 14

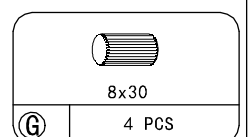
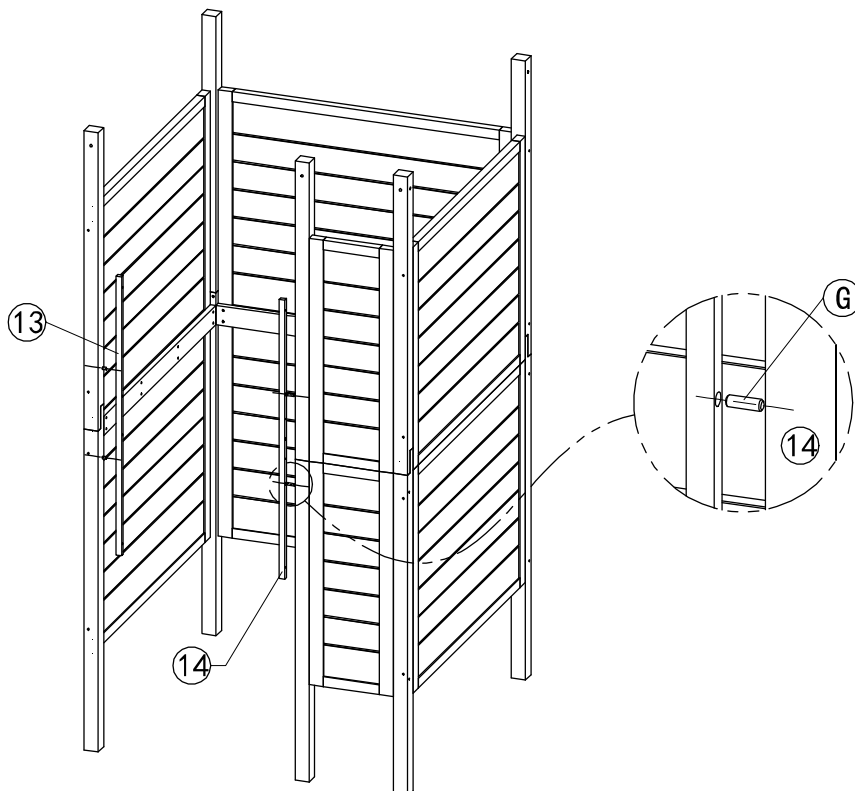


INSTALLATION STEPS

STEP 15

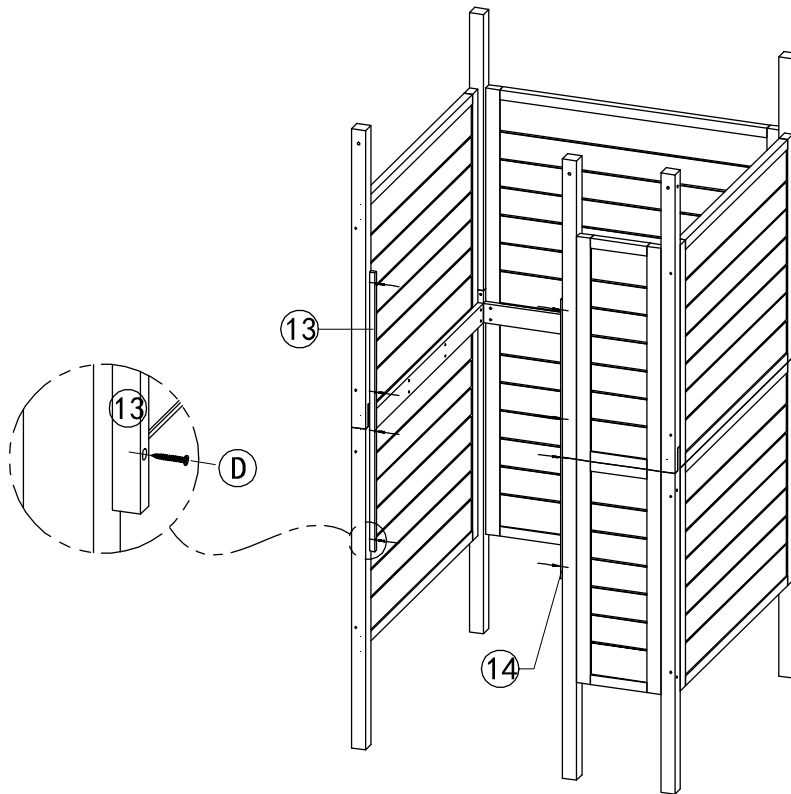


STEP 16



INSTALLATION STEPS

STEP 17

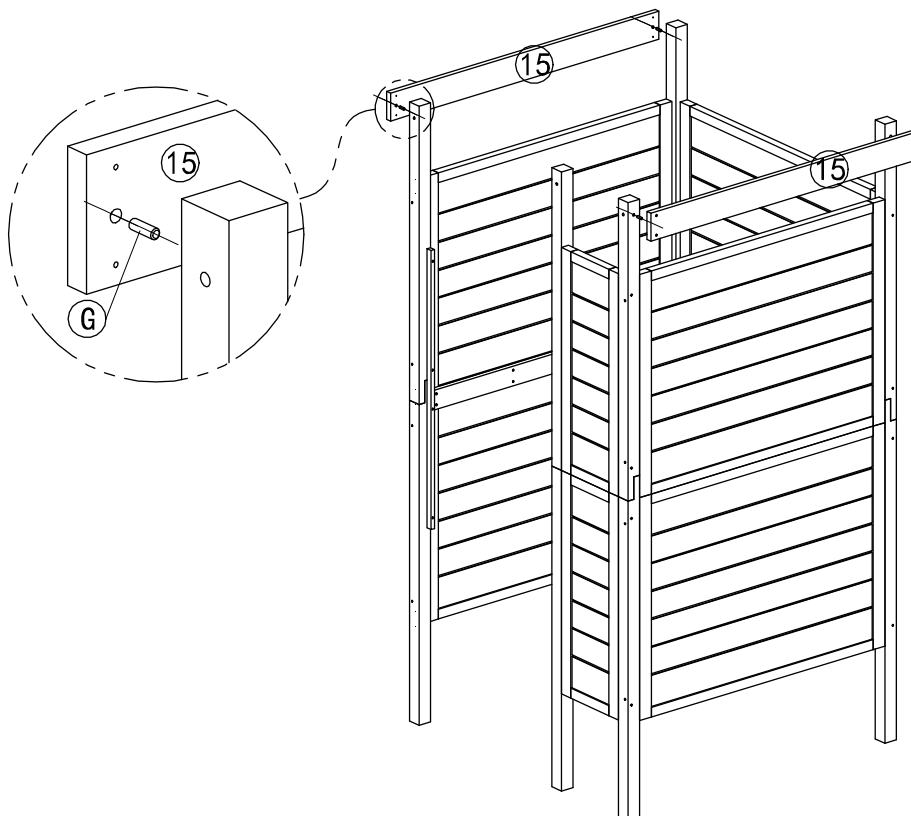


4x25

(H)

8 PCS

STEP 18



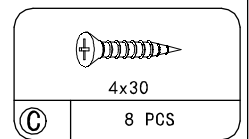
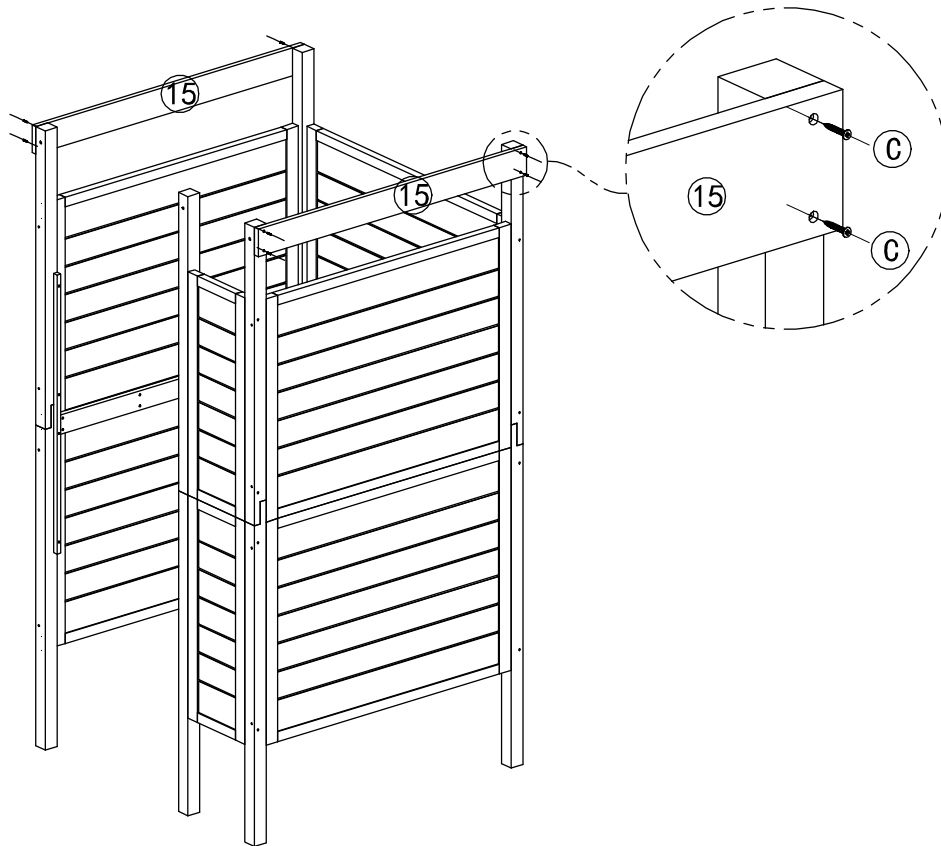
8x30

(G)

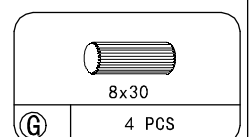
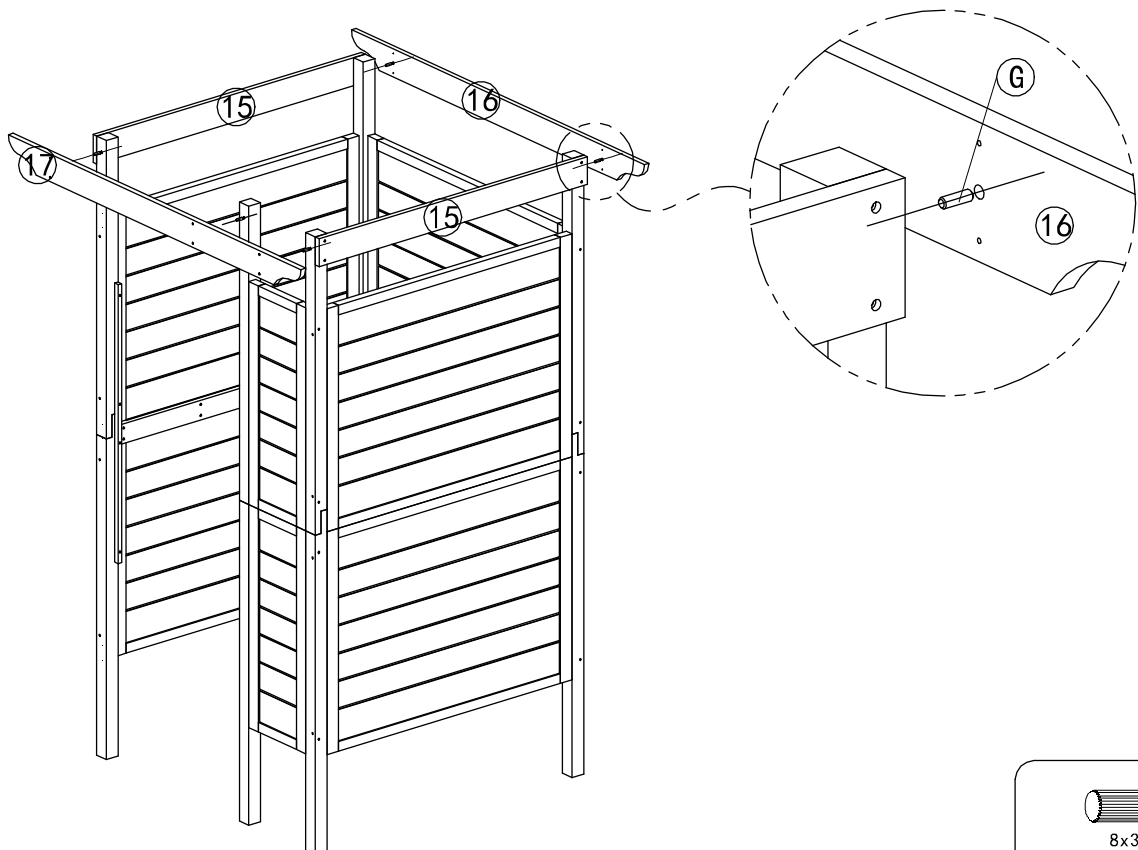
4 PCS

INSTALLATION STEPS

STEP 19

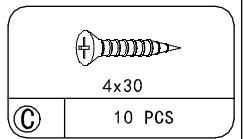
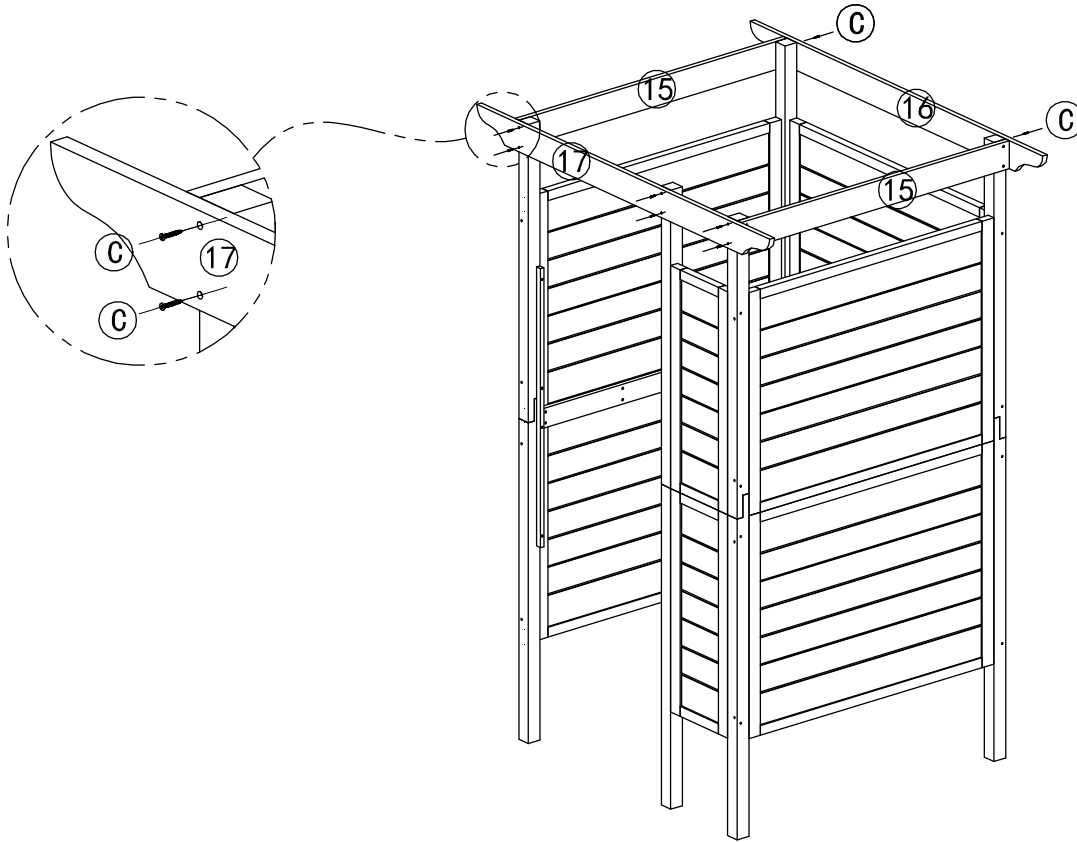


STEP 20

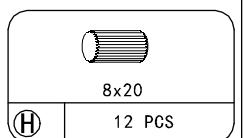
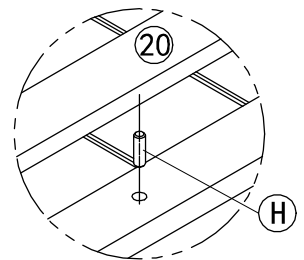
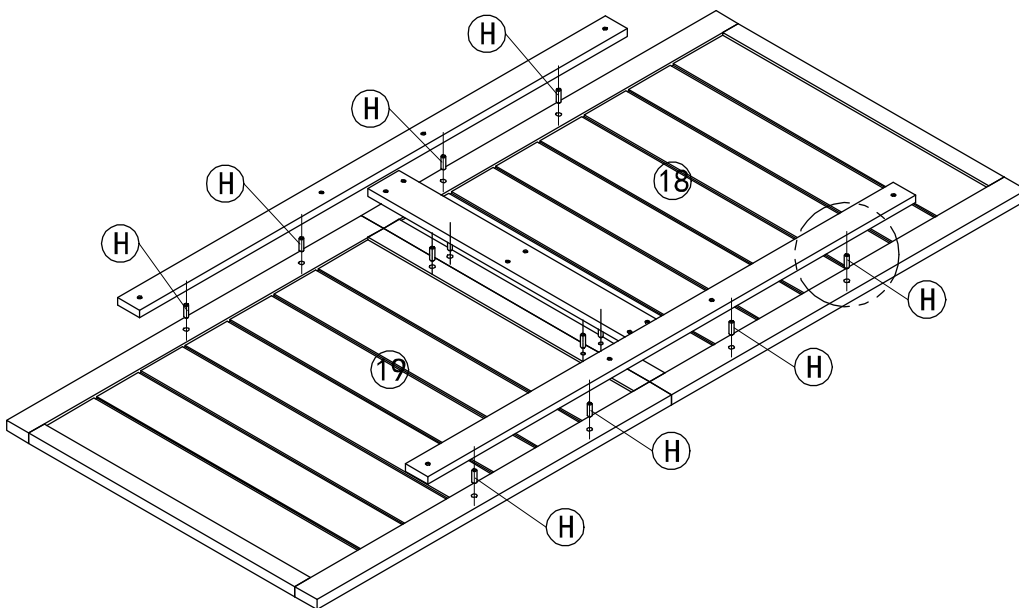


INSTALLATION STEPS

STEP21

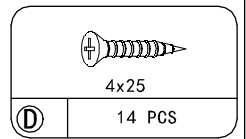
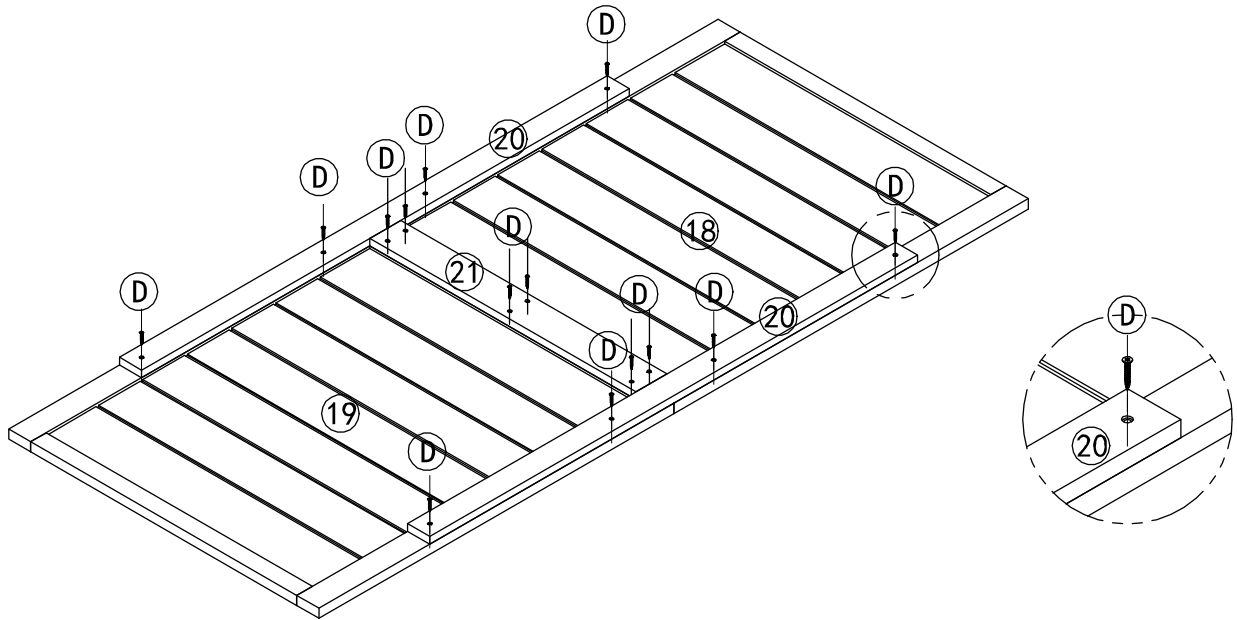


STEP22

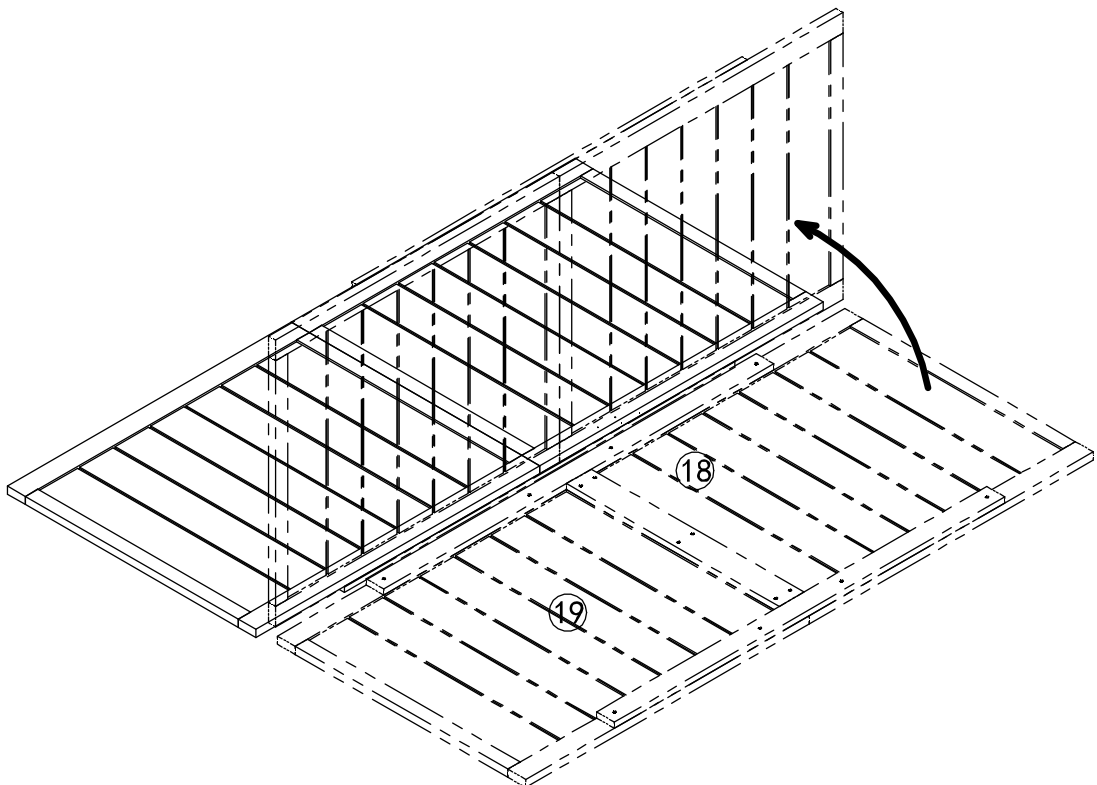


INSTALLATION STEPS

STEP23

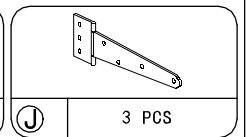
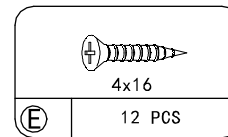
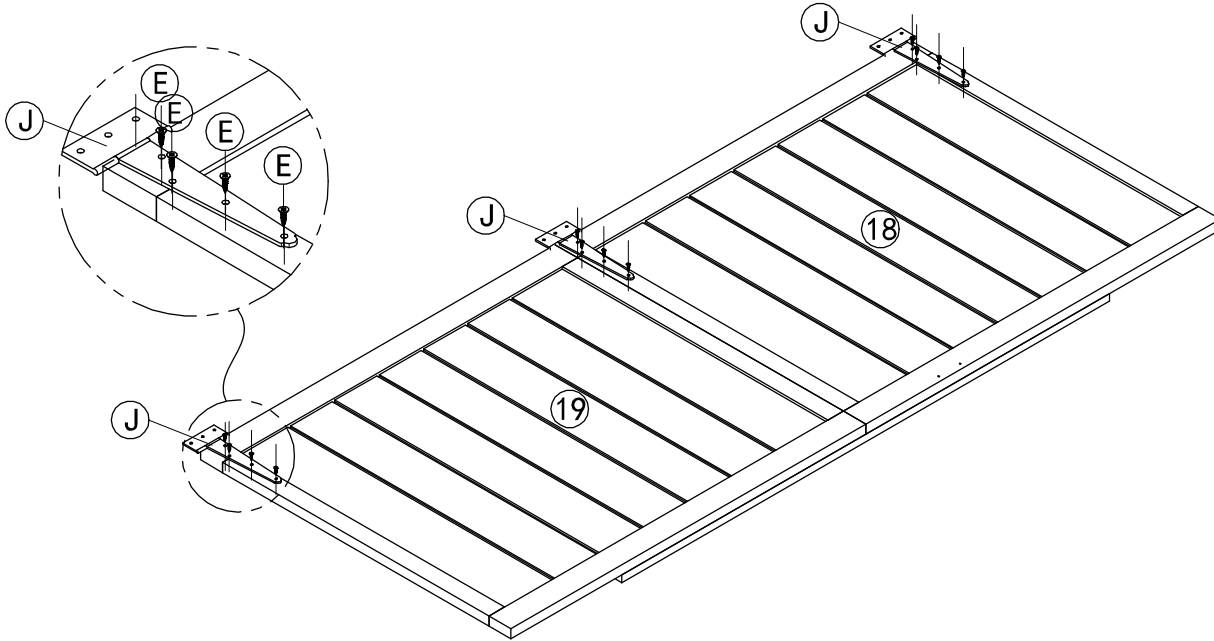


STEP24

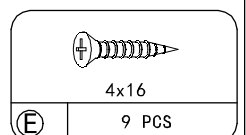
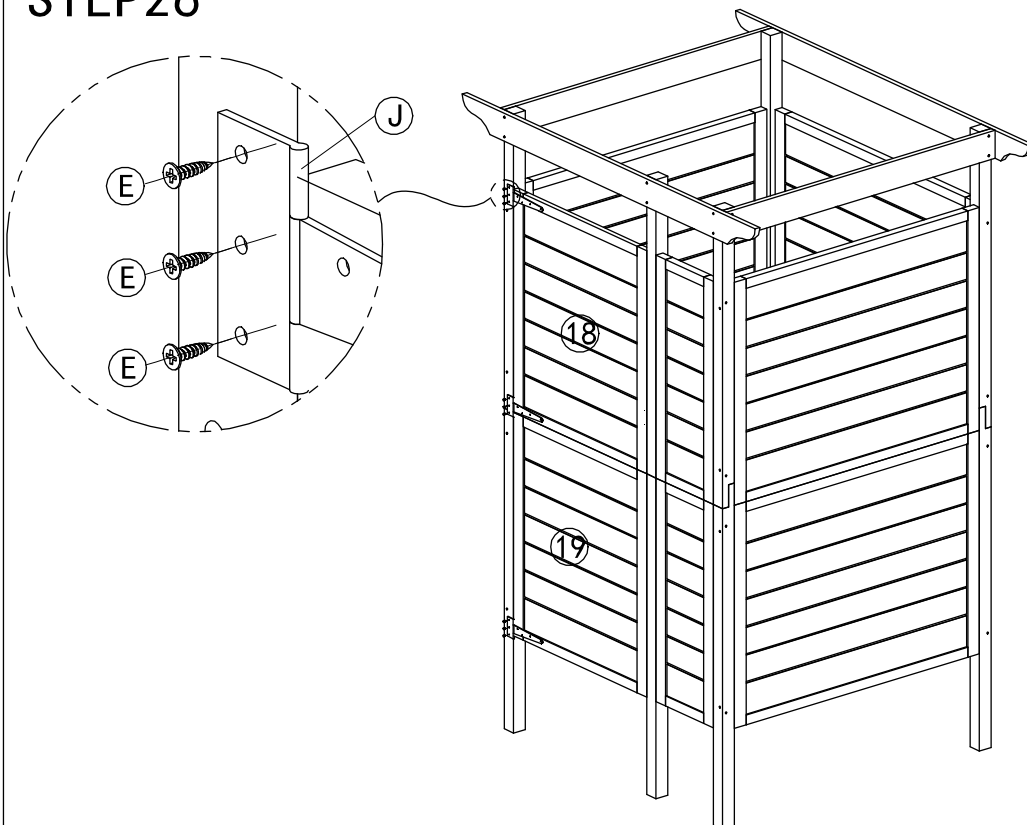


INSTALLATION STEPS

STEP25

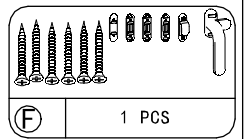
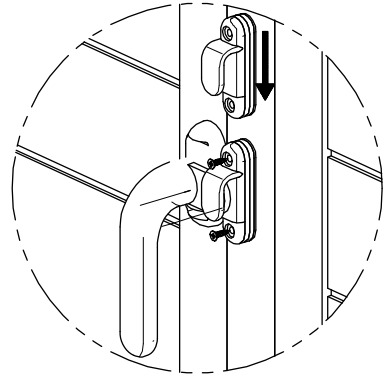
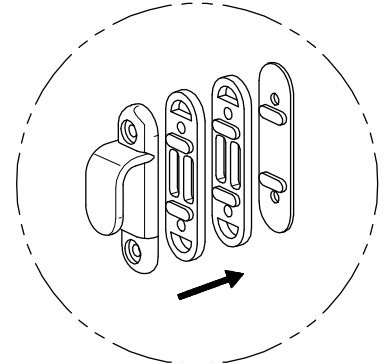
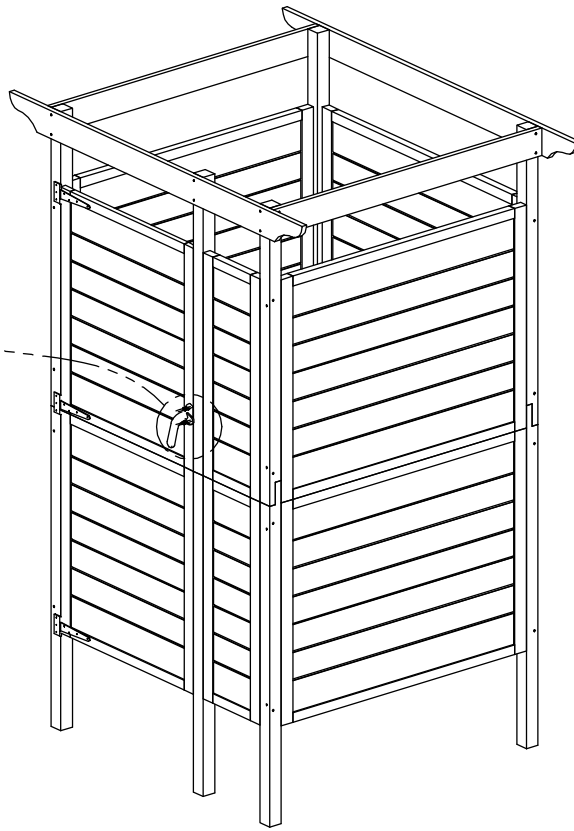
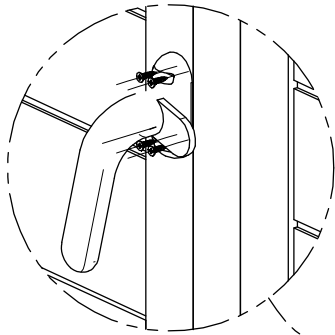


STEP26

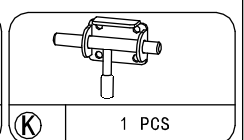
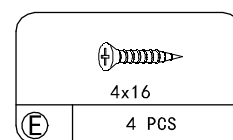
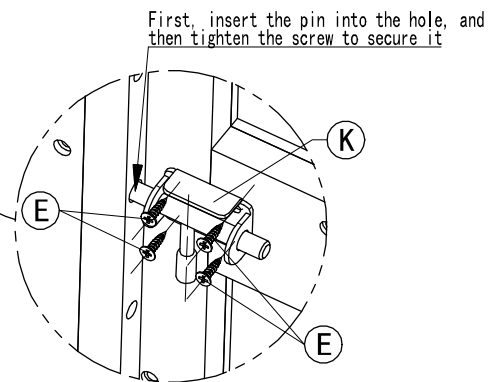
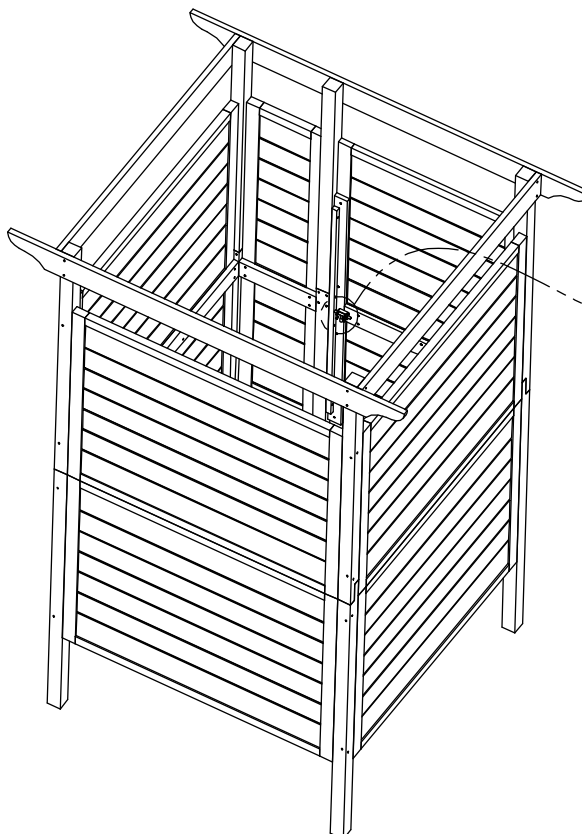


INSTALLATION STEPS

STEP27

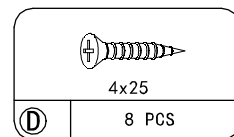
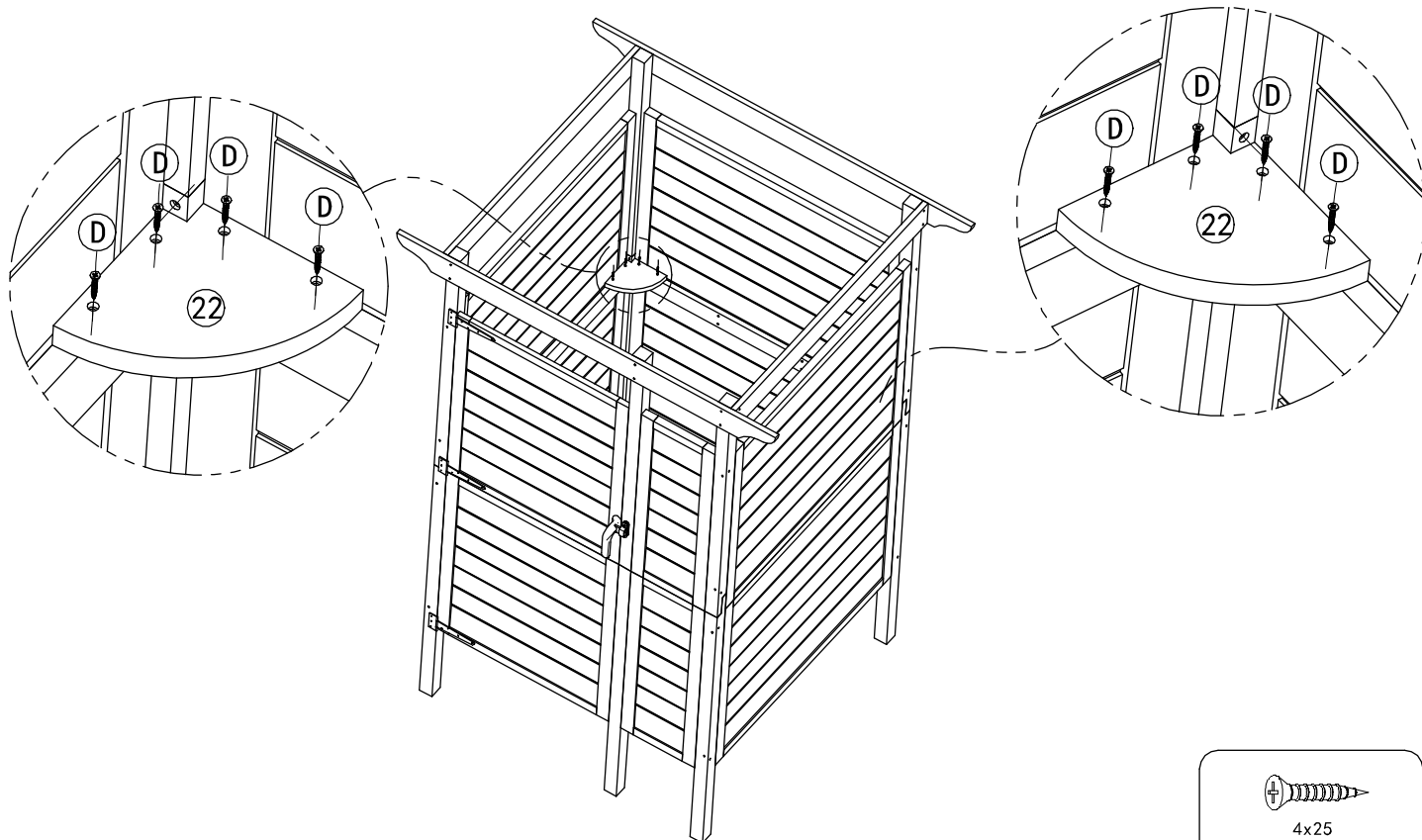


STEP28

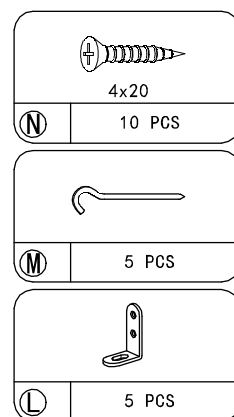
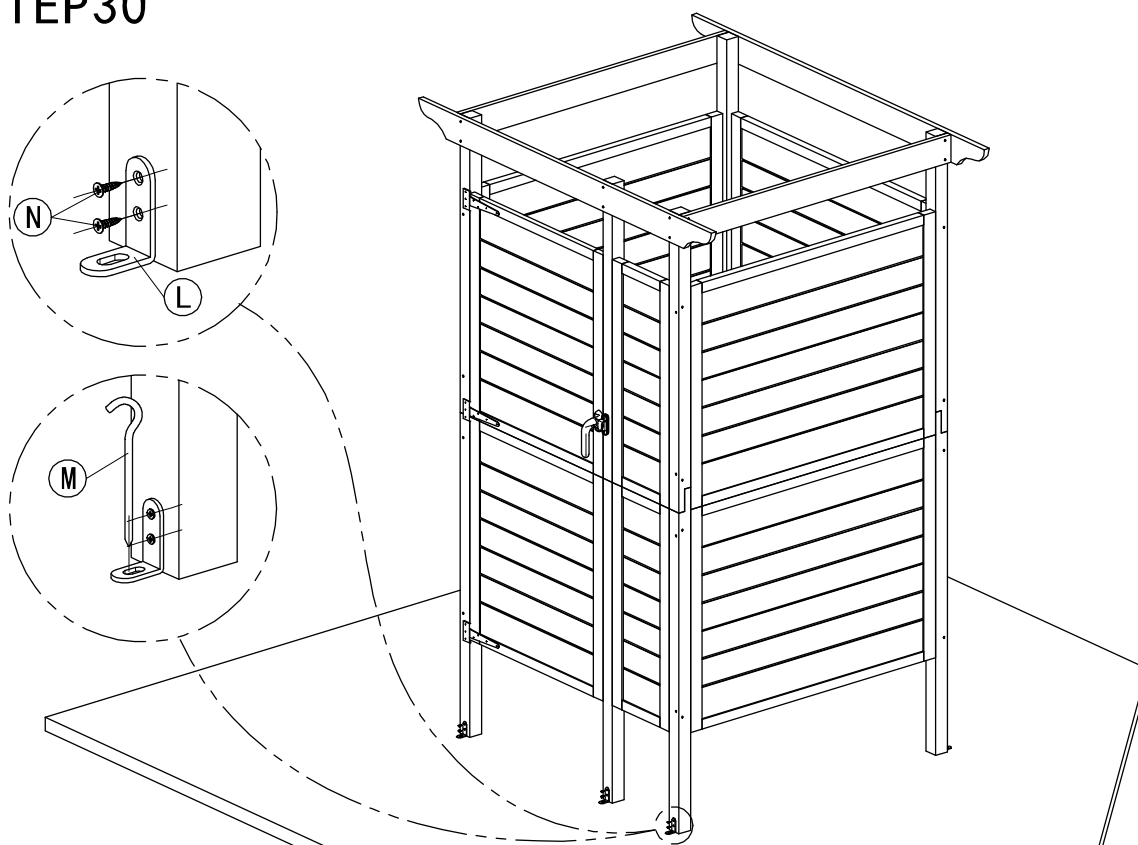


INSTALLATION STEPS

STEP29



STEP30



22-22