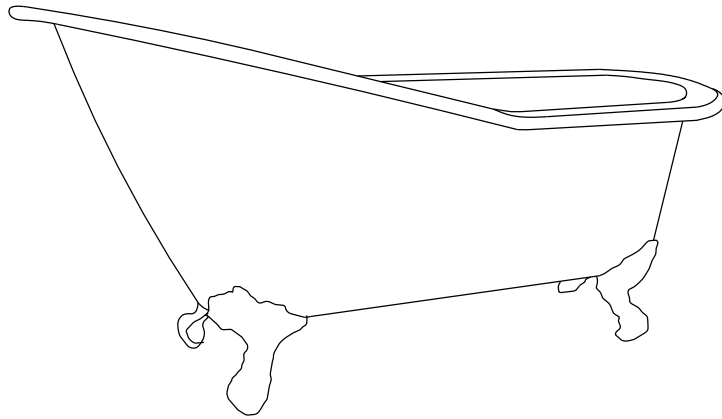


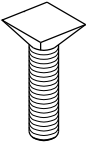
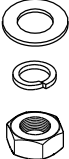
KINGSTON BRASS

THE TRADITION OF FINE BRASS

Safe & Anti-Slide Cast Iron Bath Tub Installation



Parts:

Bolts	Washer & Locknut
	
4 Pcs	4 Pcs

www.kingstonbrass.com

TOLL-FREE CUSTOMER SERVICE: 1-877-2-KBRASS

TECHNICAL SUPPORT E-mail: service@kingstonbrass.com

12775 Reservoir Street, Chino, CA91710

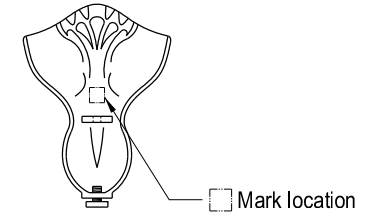
TOOLS REQUIRED



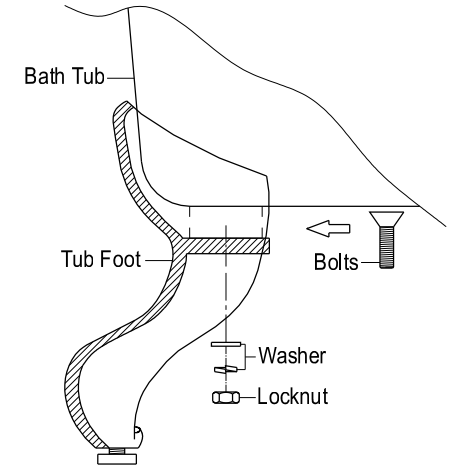
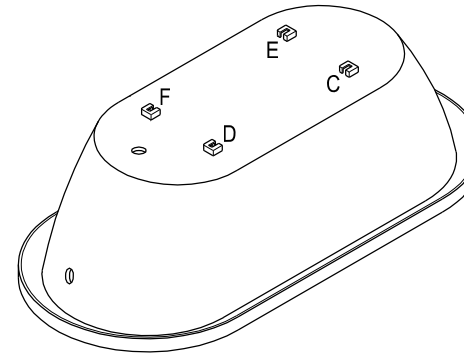
Adjustable Wrench



Rubber Mallet



Mark location



Installation Steps:

- Step 1. Turn tub over and set on non-abrasive mat, insert pyramid bolts into the mounting slot at the bottom of the tub.
- Step 2. Align the feet with the bolt, insert leg, washers and nut and tighten loosely, the legs marked "CE" are to be installed in the tub mark "C" & "E", and the legs marked "DF" are to be installed in the tub mark "D" & "F". When all 4 feet have been installed, tighten the bolts and check the fit.
- Step 3. Adjust leg for proper fit, it might be necessary to tap with rubber mallet to insure a good position.
- Step 4. Retighten bolts
- Step 5. When all four legs have been installed, turn tub over carefully as not to damage the finish.
- Step 6. If tub wobbles, adjust leg by raising or lowering leg adjustment bolt at the bottom of each leg.

Cleaning

Clean with a damp cloth only.
Avoid using metal or abrasive polishes.