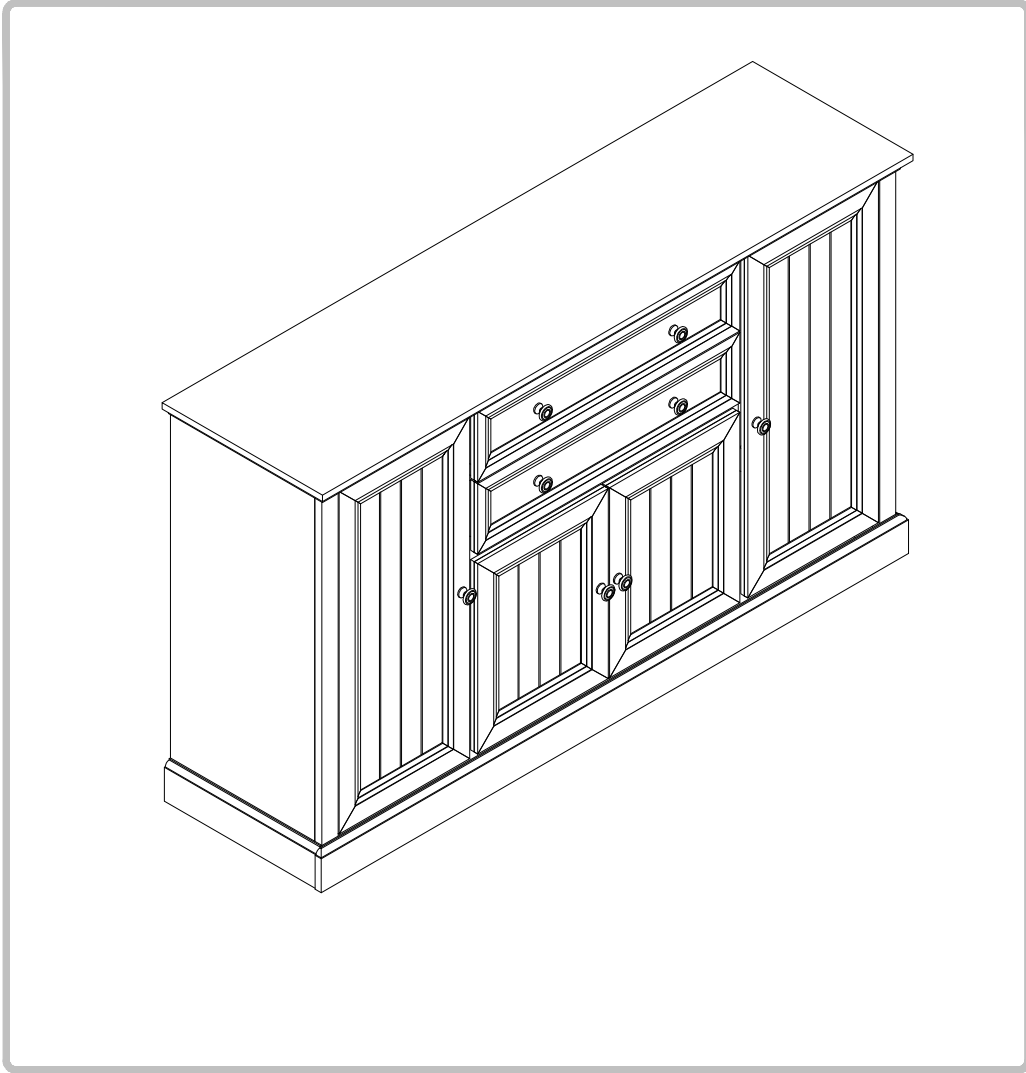


Owner Manual



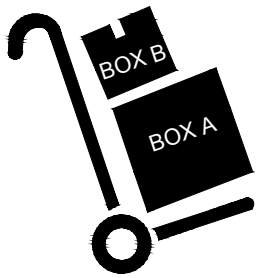
**THIS INSTRUCTION BOOKLET CONTAINS IMPORTANT SAFETY INFORMATION.
PLEASE READ AND KEEP FOR FUTURE REFERENCE.**

BUYING TIPS

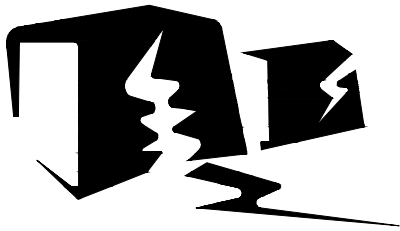
By our Customer Team



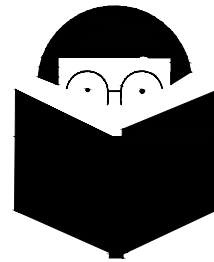
If you have any questions below, please feel free to contact us. We will respond within 24 hours.



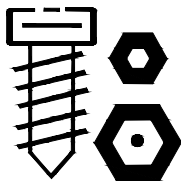
Attention
our product comes with TWO PACKAGES with TWO TRACKINGS
may NOT be delivered at the same time.



ANY DAMAGE



READ INSTRUCTIONS
CAREFULLY



MISS SOME PARTS

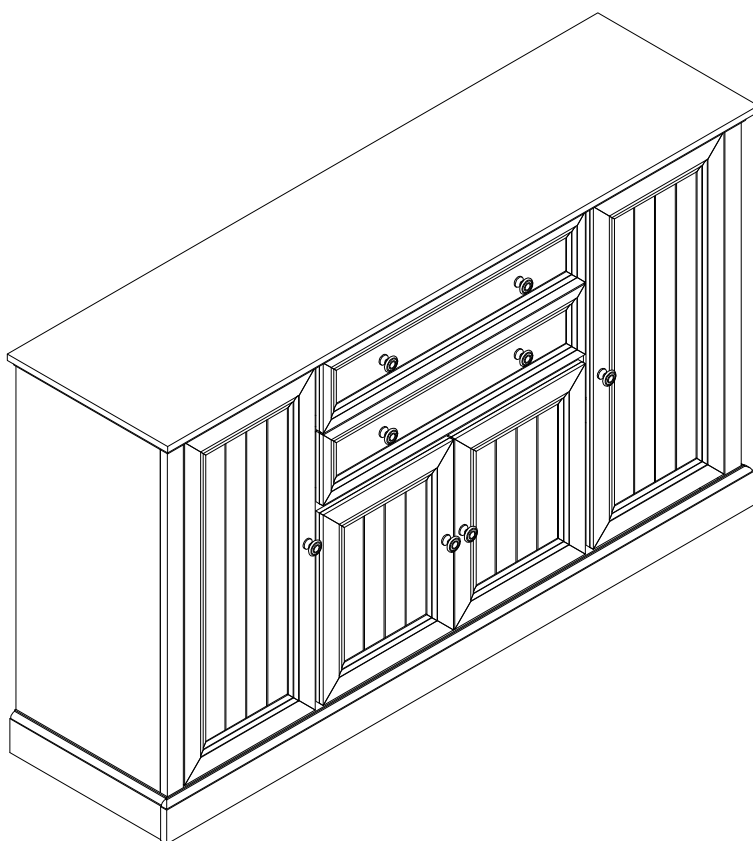


OTHER QUESTIONS

GENERAL INFORMATION, TIPS AND TRICKS

1. Please read the Assembly Instructions prior to assembling this product.
2. Remove all hardware from the box and sort by size.
3. Check to see that all hardware and parts are present BEFORE assembling.
4. Ask a friend to assist you with the assembly of this furniture.
5. To avoid damage, assemble the product on a sturdy, level and protective surface.
6. Please wait until all steps are completed before fully tightening bolts.
7. Make sure all screws and bolts are tightly fastened before the unit is used.

MAXIMUM RECOMMENDED WEIGHT LOADS



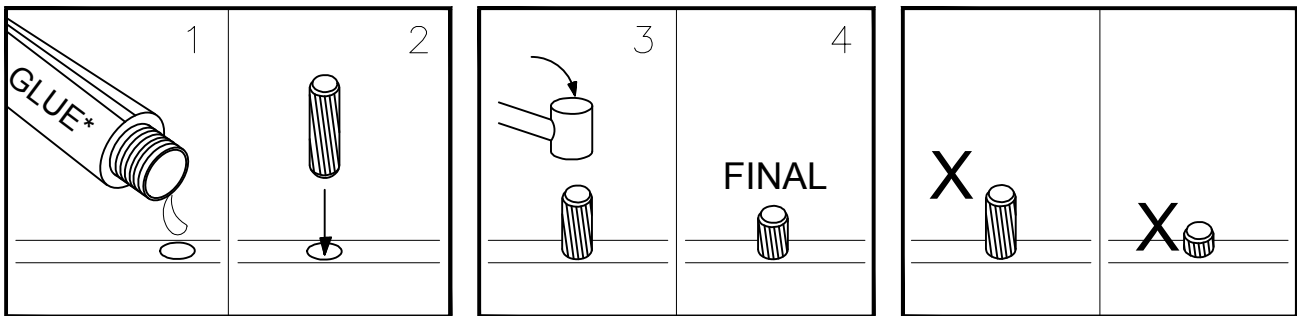
THIS UNIT IS NOT INTENDED FOR USE WITH CRT TVS. USE ONLY WITH FLAT PANEL TVS AND AUDIO/VIDEO EQUIPMENT MEETING RECOMMENDED SIZE AND WEIGHT LIMITS. NEVER USE WITH LARGER/HEAVIER THAN RECOMMENDED FLAT PANEL TVS OR EQUIPMENT. TO AVOID INSTABILITY, PLACE FLAT PANEL TV IN THE CENTER OF THE UNIT; THE BASE OF THE TELEVISION MUST BE ABLE TO REST ON THE SUPPORTING SURFACE OF THE UNIT WITHOUT OVER-HANGING THE EDGES. IMPROPERLY POSITIONED FLAT PANEL TVS, OR FLAT PANEL TVS INCLUDING OTHER EQUIPMENT THAT EXCEED RECOMMENDED SIZE AND WEIGHT LIMITS COULD FALL OFF OR BREAK THE UNIT, CAUSING POSSIBLE SERIOUS INJURY. FOR USE WITH TELEVISIONS WEIGHING 100 LBS (45.4 KG) OR LESS. USE WITH HEAVIER TELEVISIONS MAY RESULT IN INSTABILITY CAUSING TIP OVER RESULTING IN DEATH OR SERIOUS INJURY.

IMPORTANT

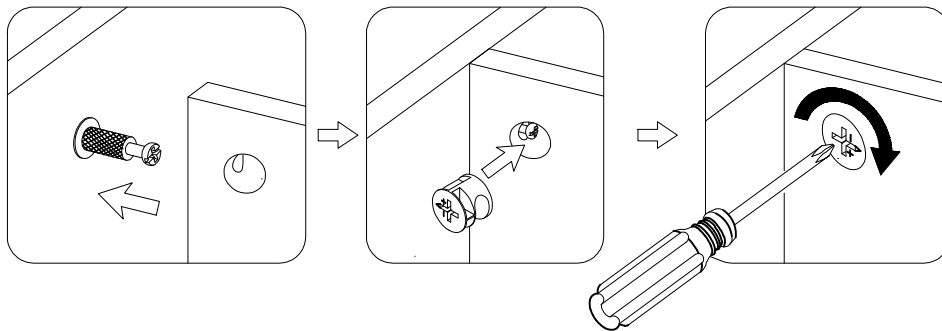
Before you begin: Open, identify and count all parts prior to assembly. Lay out parts on a flat and non-abrasive surface.

NOTE: IT IS VERY IMPORTANT TO USE GLUE WITH THE DOWELS. EXCESS GLUE CAN BE WIPED OFF WITH A DAMP CLOT.

Insert Dowel at least half way by tapping lightly with a rubber mallet (not included), IF NECESSARY.



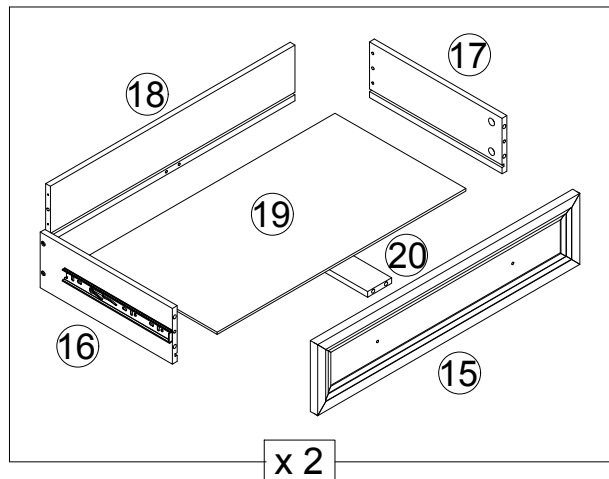
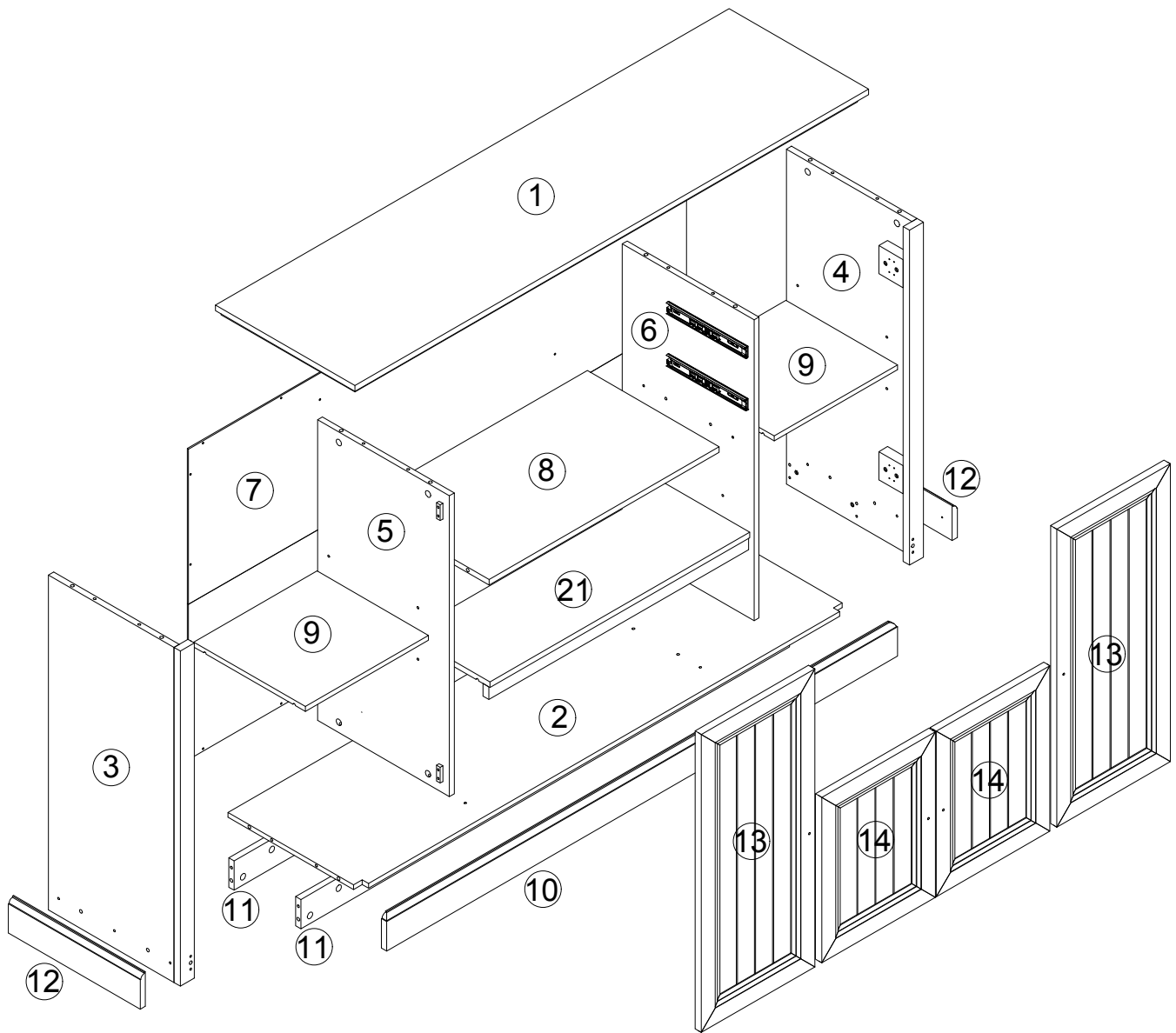
CAM LOCK SYSTEM OPERATION




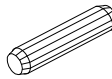
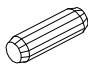
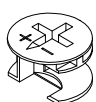


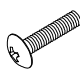

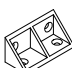


HOW THE KNOCK DOWN (KD) ASSEMBLY SYSTEM WORKS

1. Screw the Cam Bolt into the pre-drilled small holes on the panel. Connect both panels together; making sure the Cam Bolt goes into the pre-drilled hole at the end of the panel with the Cam Lock.
2. Insert the Cam Lock into the pre-drilled large hole in the panel. Make sure the arrow on the Cam Lock is pointed towards the Cam Bolt.
3. Once the Cam Bolt is connected inside the Cam Lock, take a Phillips screwdriver (not included) and tighten the Cam Lock clockwise.



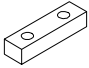
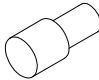
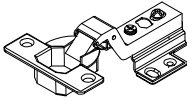
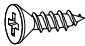
BOARD IDENTIFICATION




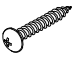
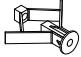


HARDWARE IDENTIFICATION-1

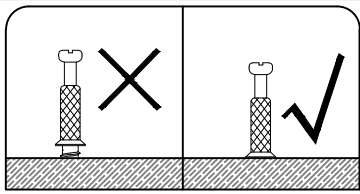
A		GLUE	1 PC
B		WOODEN DOWEL Ø6 x 30mm	40 PCS
C		WOODEN DOWEL Ø6 x 20mm	6 PCS
D		CAM LOCK Ø15 x 9mm	48 PCS
E		CAM SCREW Ø7 x 34mm	48 PCS
F		HANDLE	8 PCS
G		HANDLE BOLT Ø5/32x30mm	4 PCS
H		HANDLE BOLT Ø5/32x20mm	4 PCS
I		PLASTIC CONNECTOR	5 PCS
J		WOOD SCREW 3 x14x 7mm	10 PCS
K		WOOD SCREW Ø4 x 25mm	6 PCS

HARDWARE IDENTIFICATION-2

L		WOOD SCREW Ø4 x 30mm	12 PCS
M		WOOD SCREW Ø3.5 x 16mm	30 PCS
N		DOOR STOPPER	5 PCS
O		SHELF SUPPORT	12 PCS
P		HINGE	8 PCS
Q		WOOD SCREW Ø3.5 x 12mm	68 PCS

WALL MOUNTING KIT		
	Metal	4
	Steel cable	2
	Short screw Ø4*20mm	2
	Long screw Ø4*38mm	2
	Drywall anchor	2

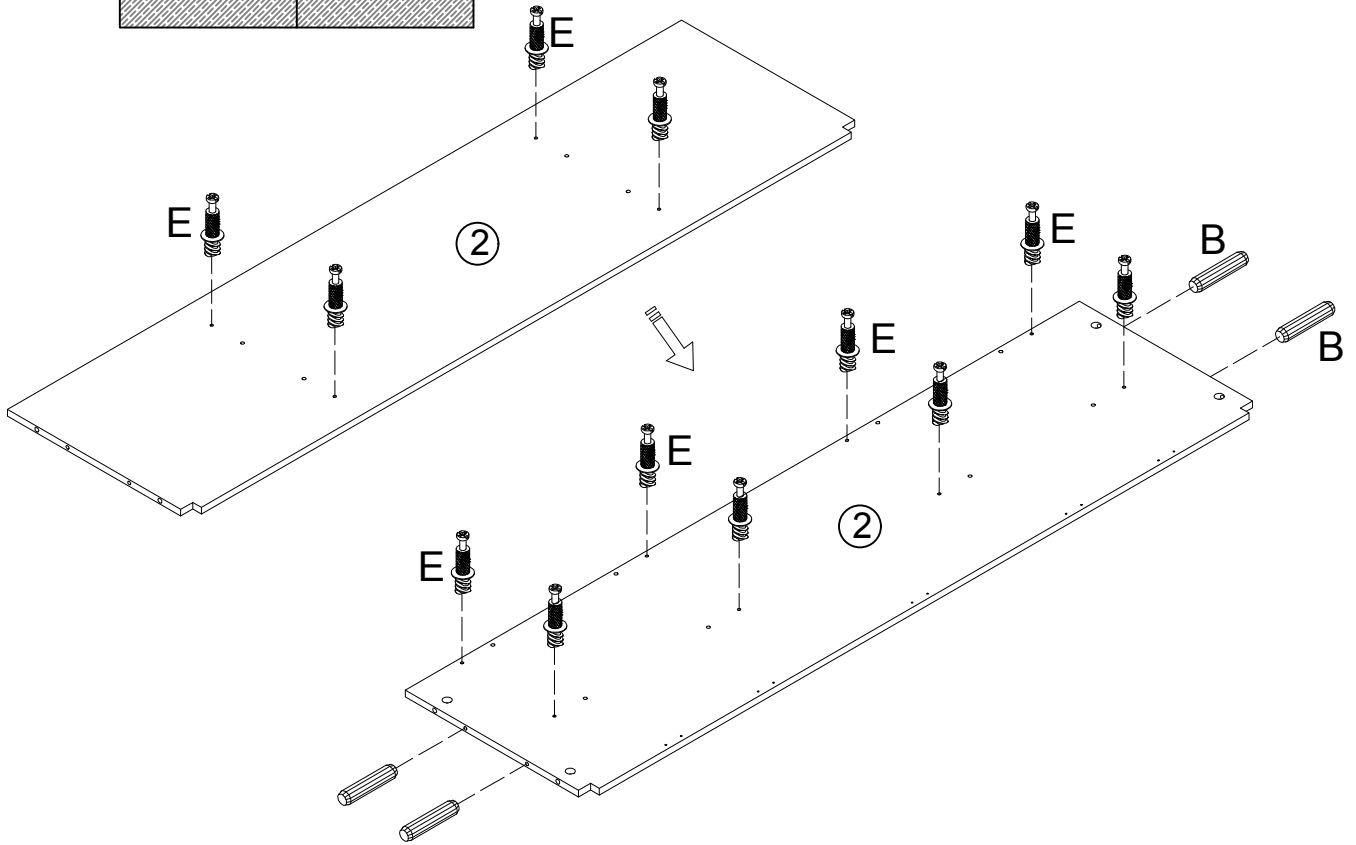
STEP 1



B
4 x



E
12 x



STEP 2

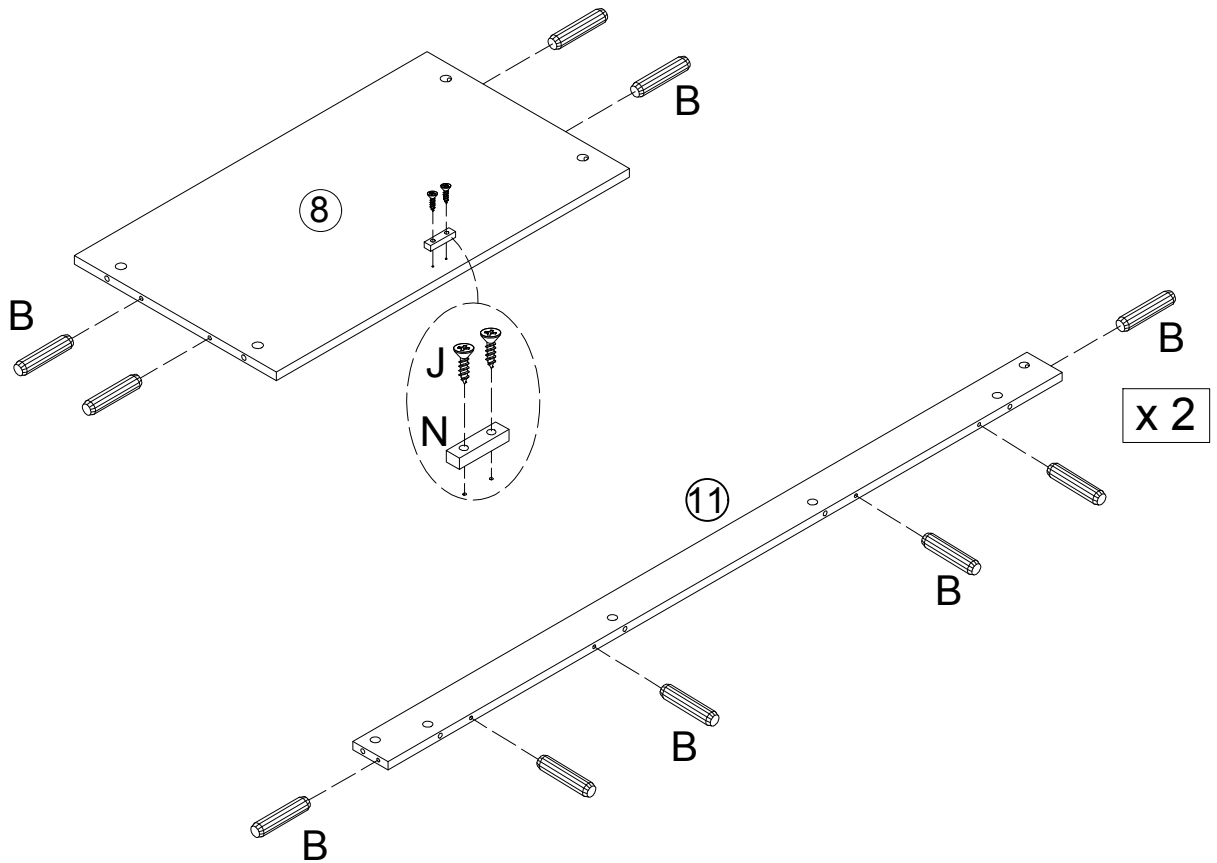
B
16 x



N
1 x

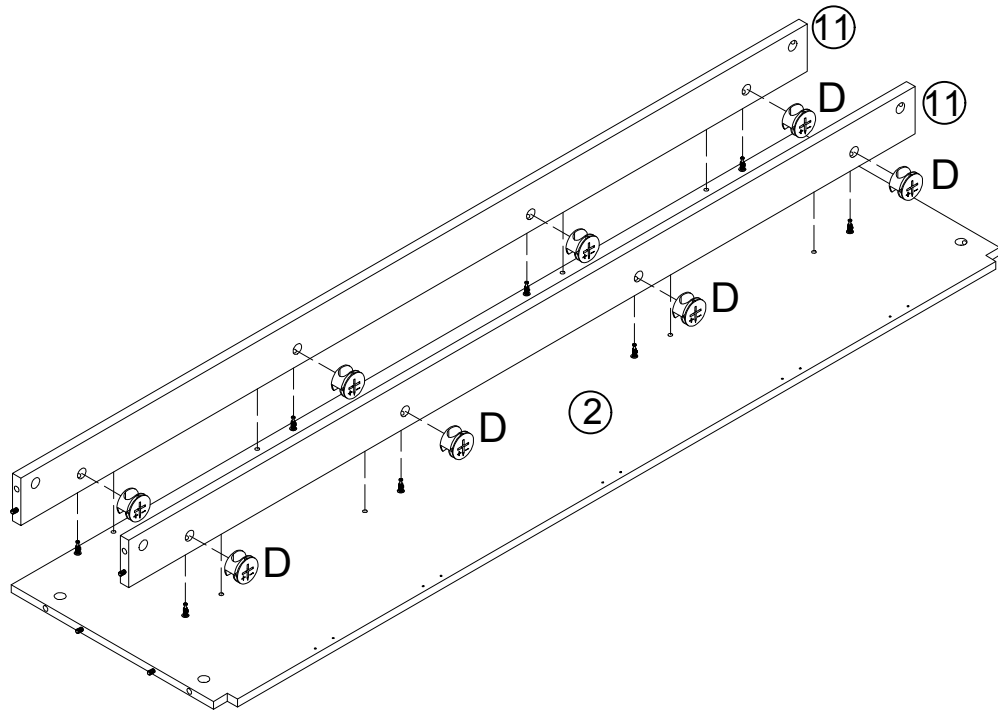
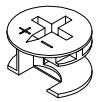


J
2 x

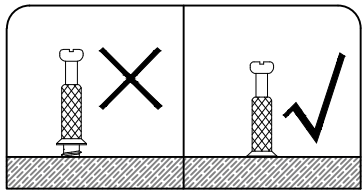


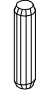

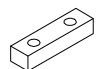

STEP
3

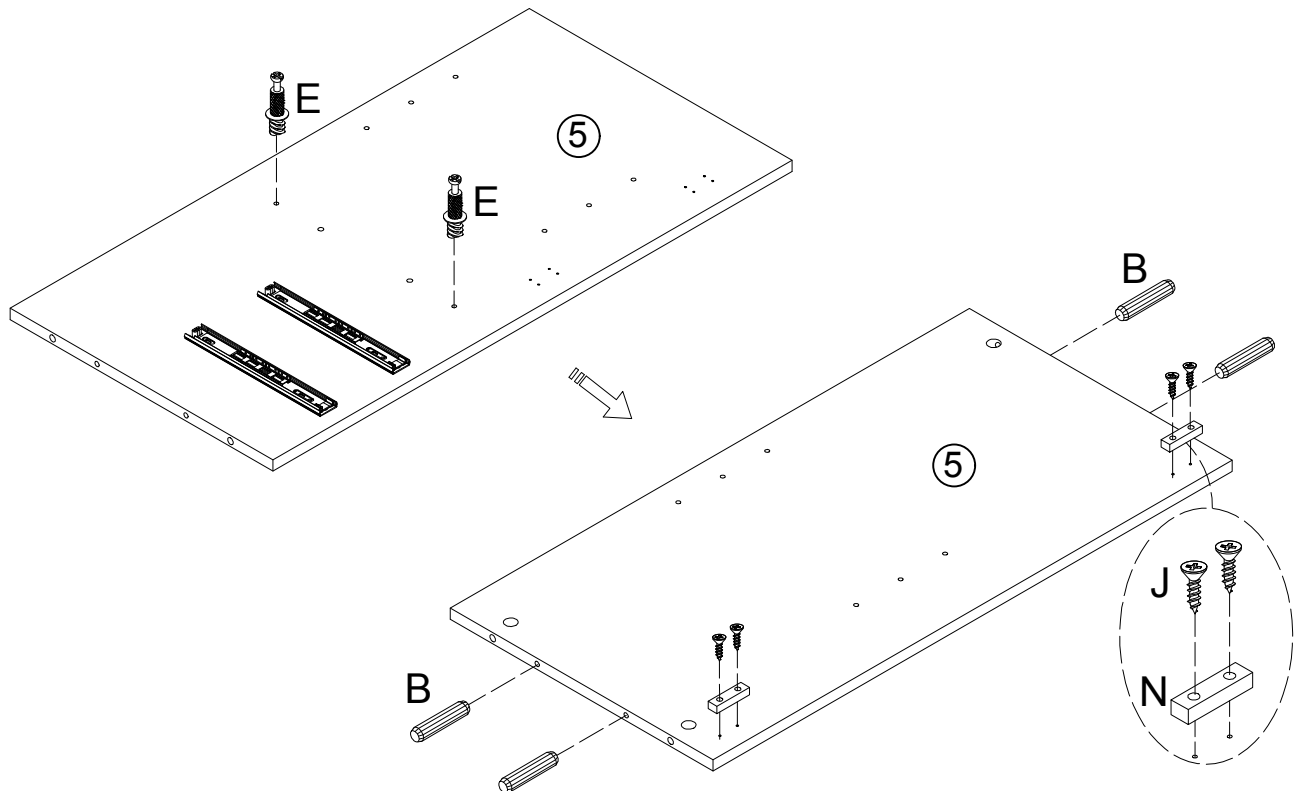
D
8 x



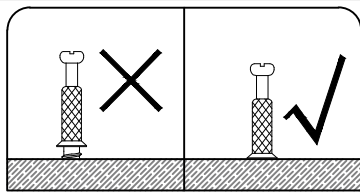
STEP
4

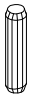

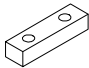



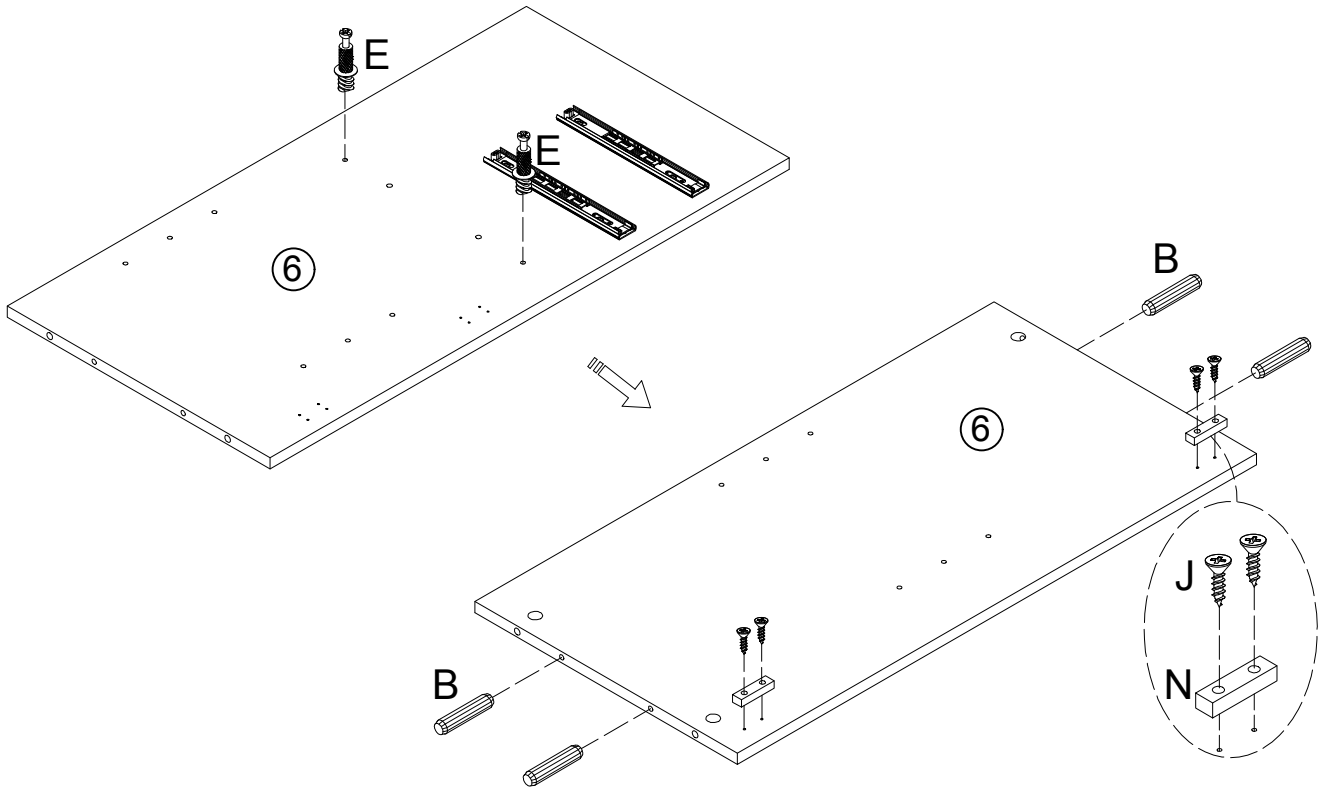
B 4 x  **E** 2 x  **N** 2 x  **J** 4 x 



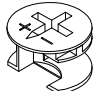
STEP
5

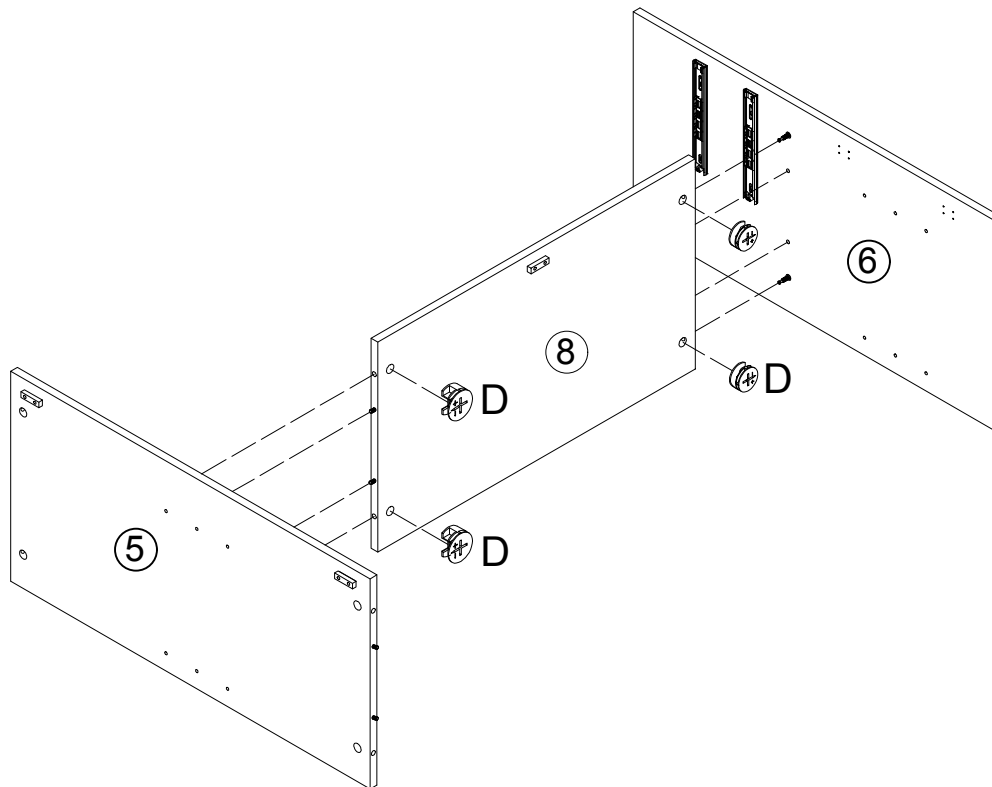


B 4 x		E 2 x		N 2 x		J 4 x	
-----------------	--	-----------------	--	-----------------	--	-----------------	--

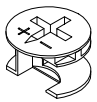


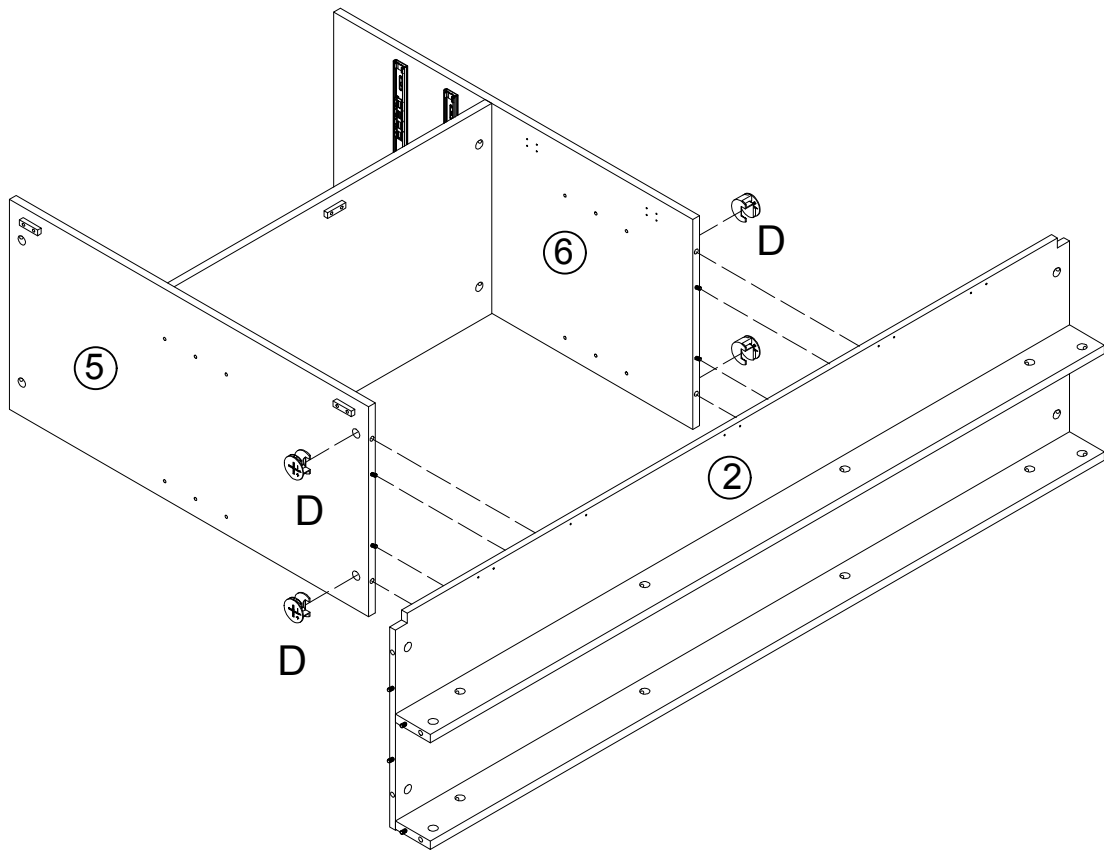
STEP
6

D 4 x	
-----------------	---

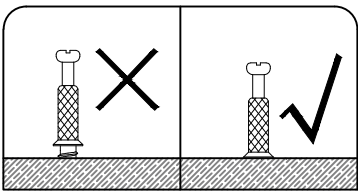



STEP
7


D
4 x 

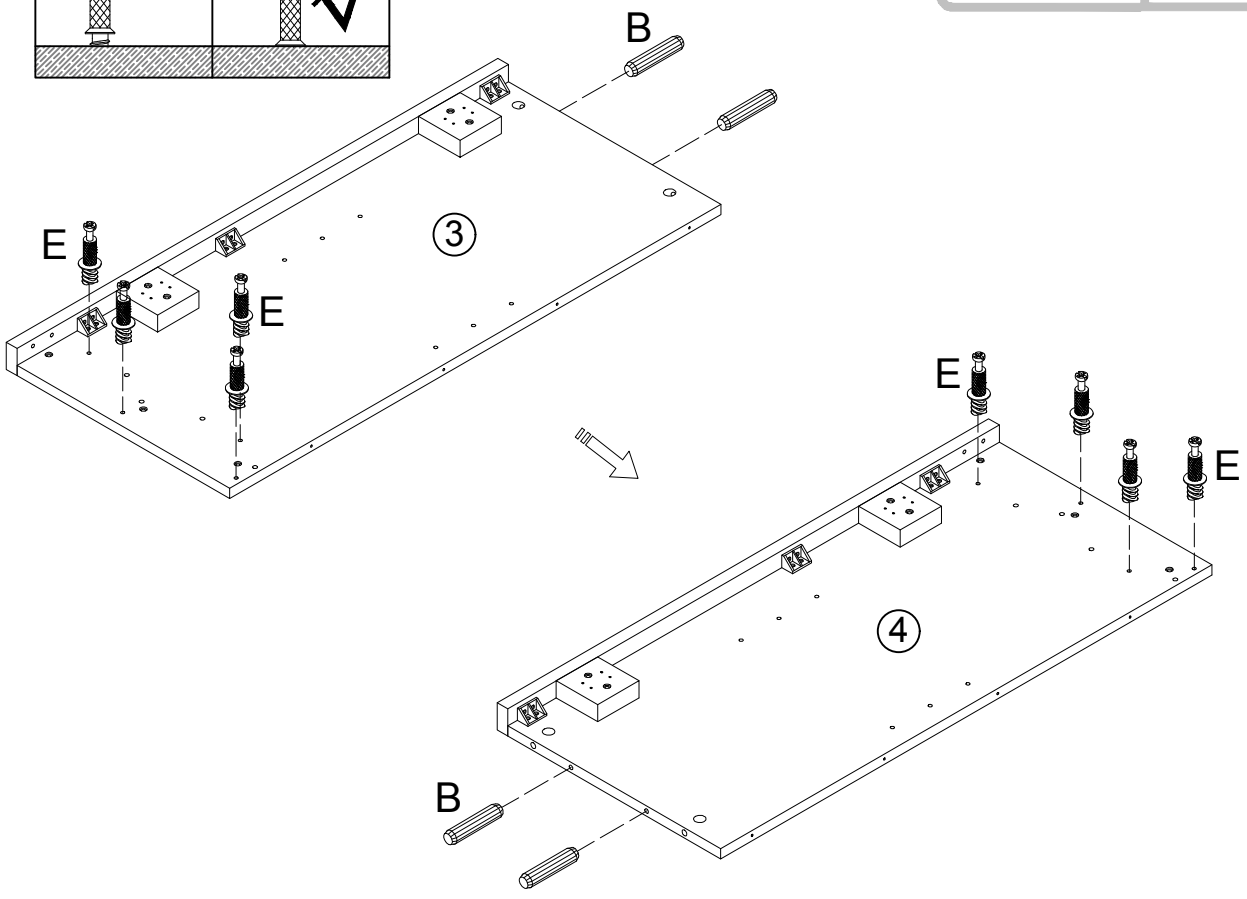


STEP
8



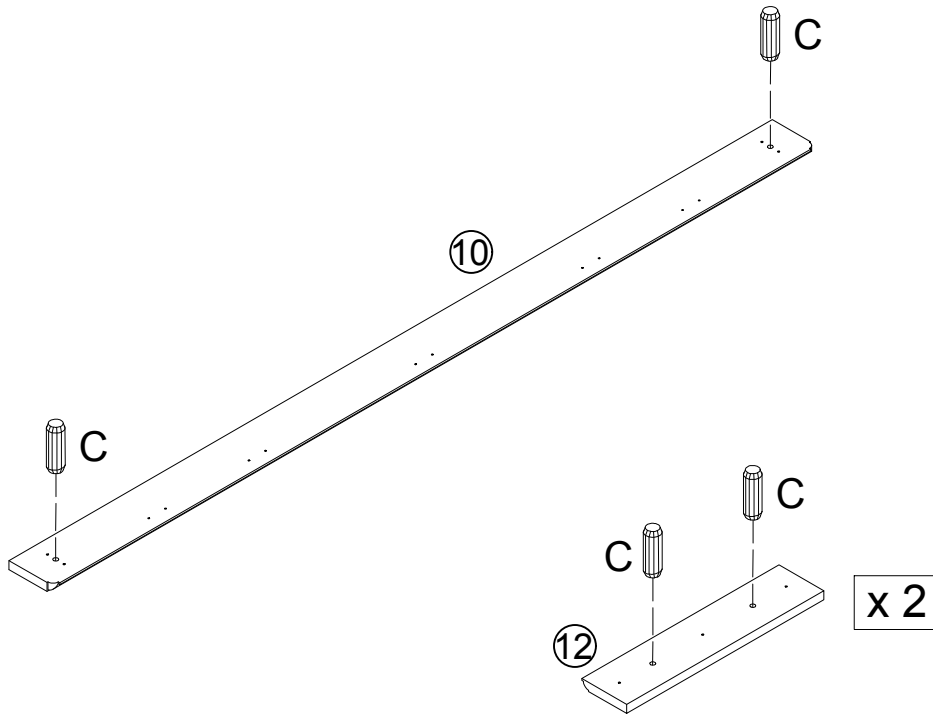
B
4 x 

E
8 x 



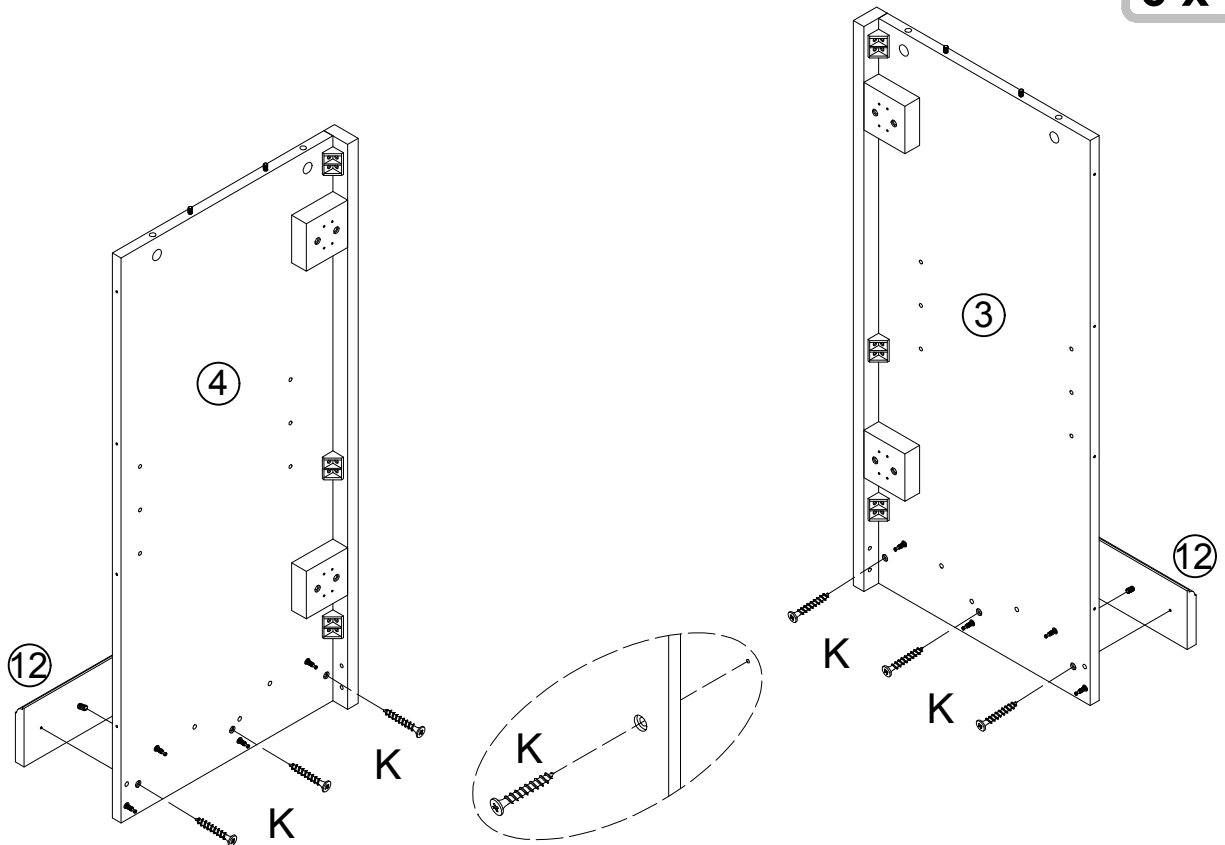
STEP
9

C
6 x



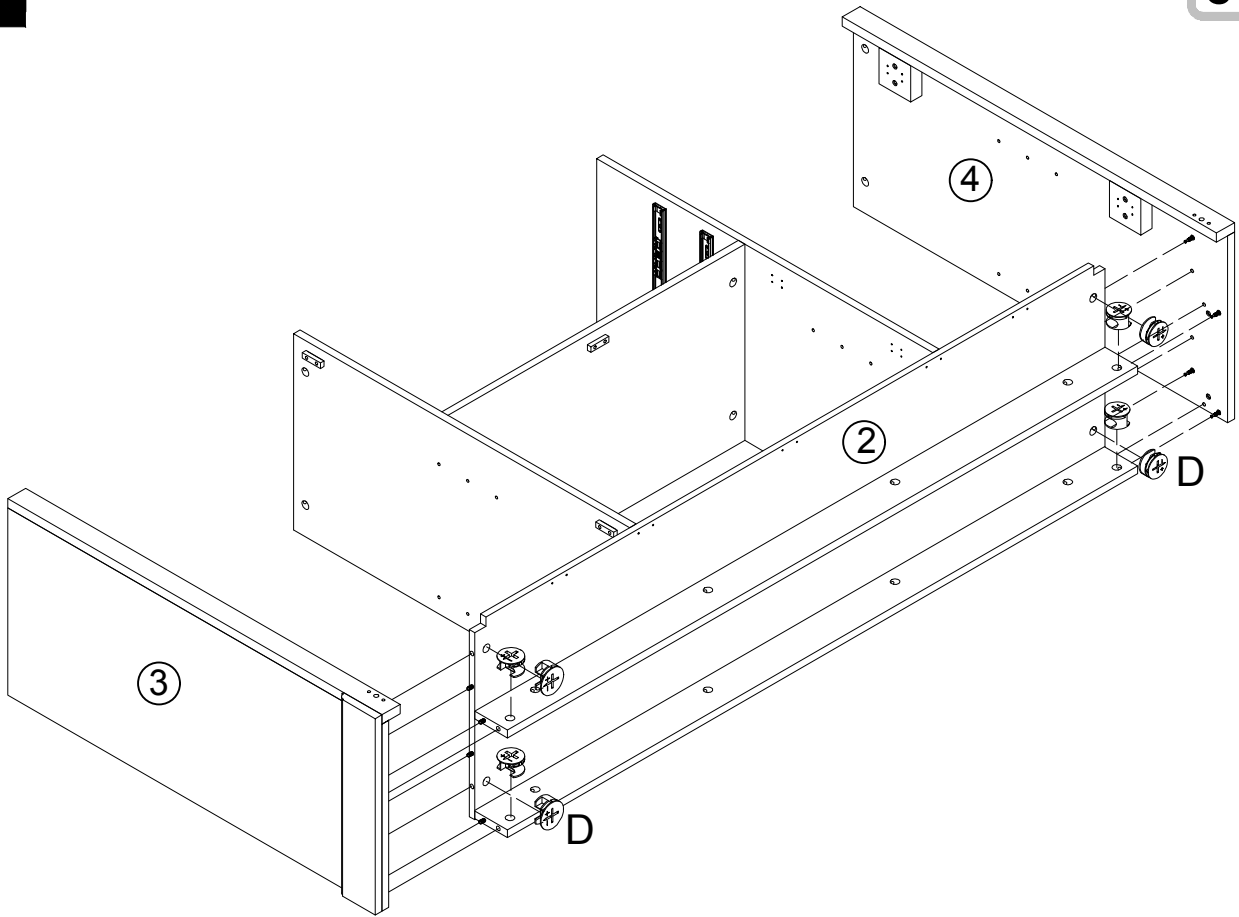
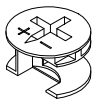
STEP
10

K
6 x



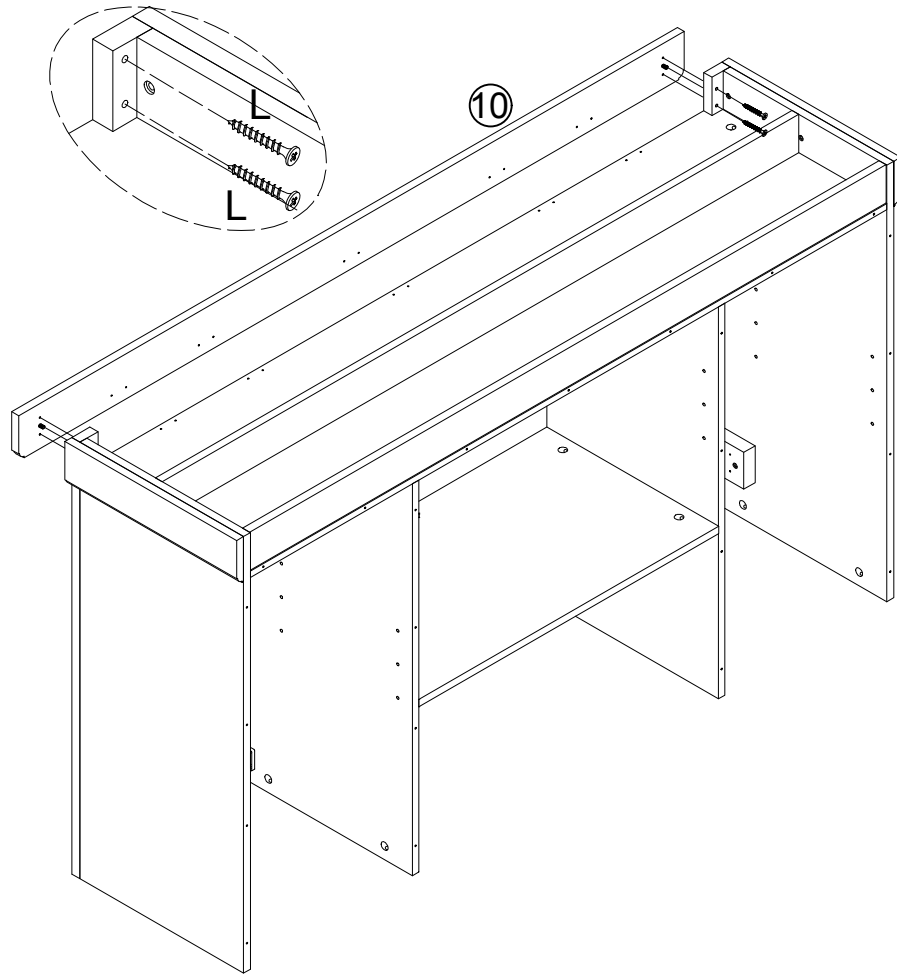
STEP
11

D
8 x



STEP
12

L
4 x

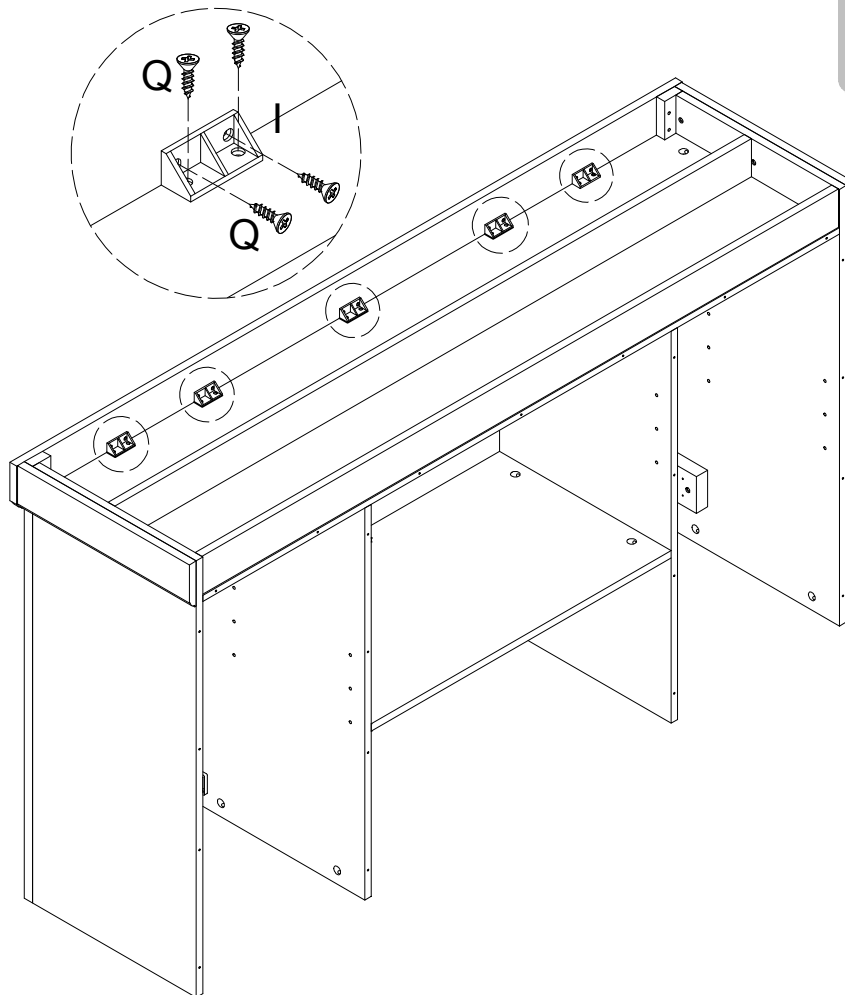


**STEP
13**

I
5 x

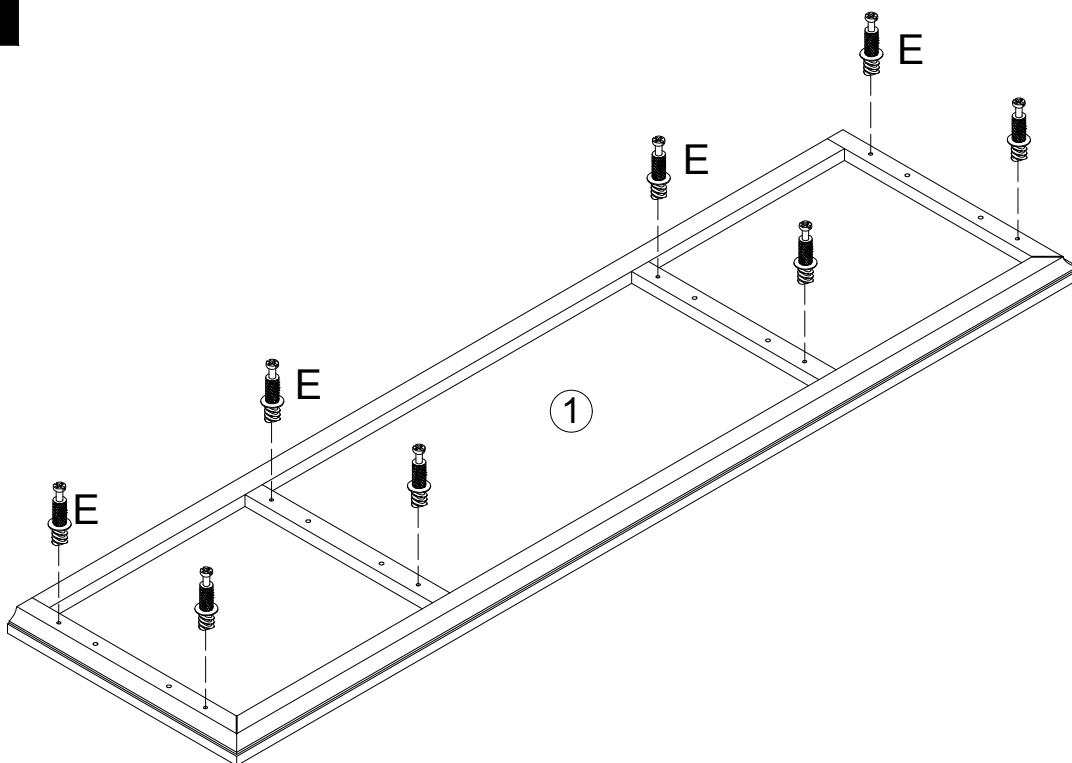


Q
20 x



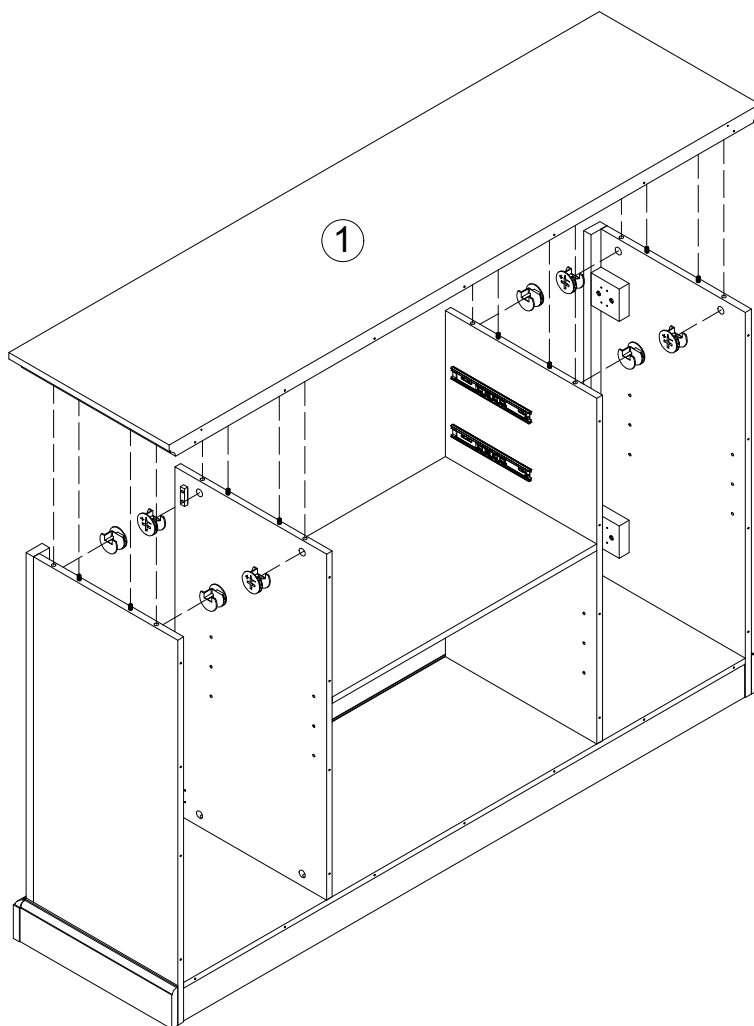
**STEP
14**

E
8 x



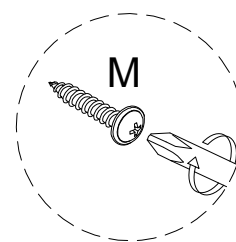
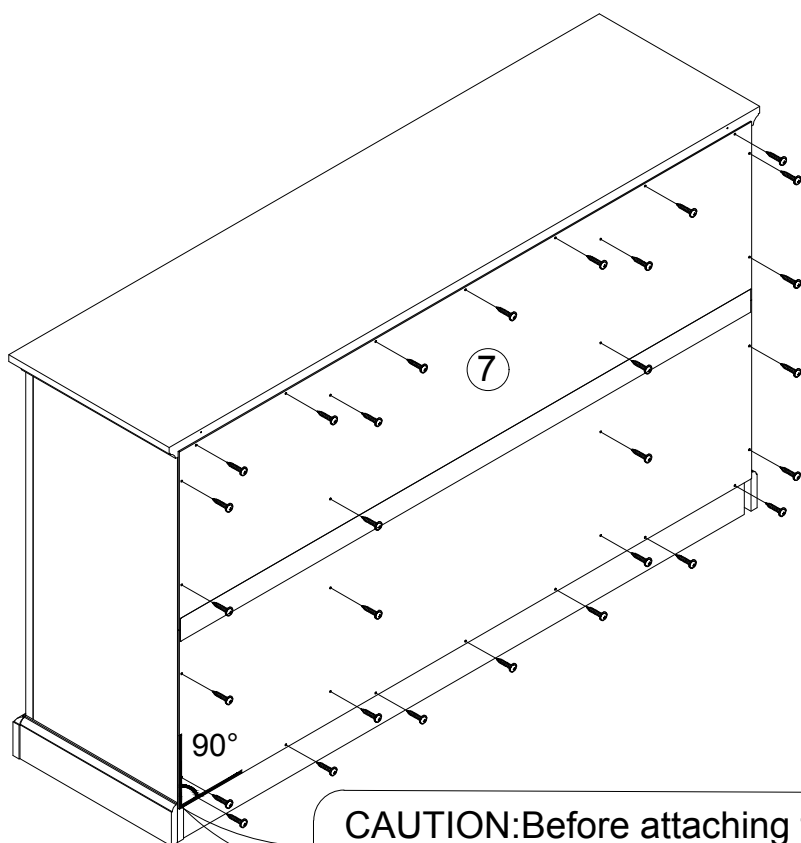
**STEP
15**

D
8 x



**STEP
16**

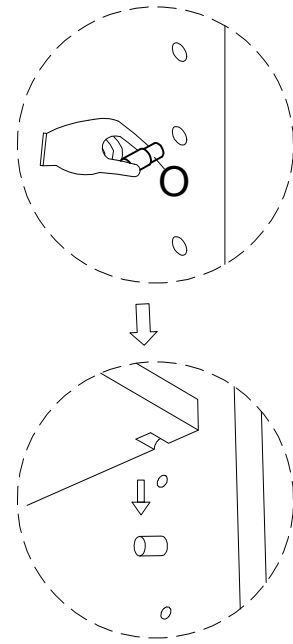
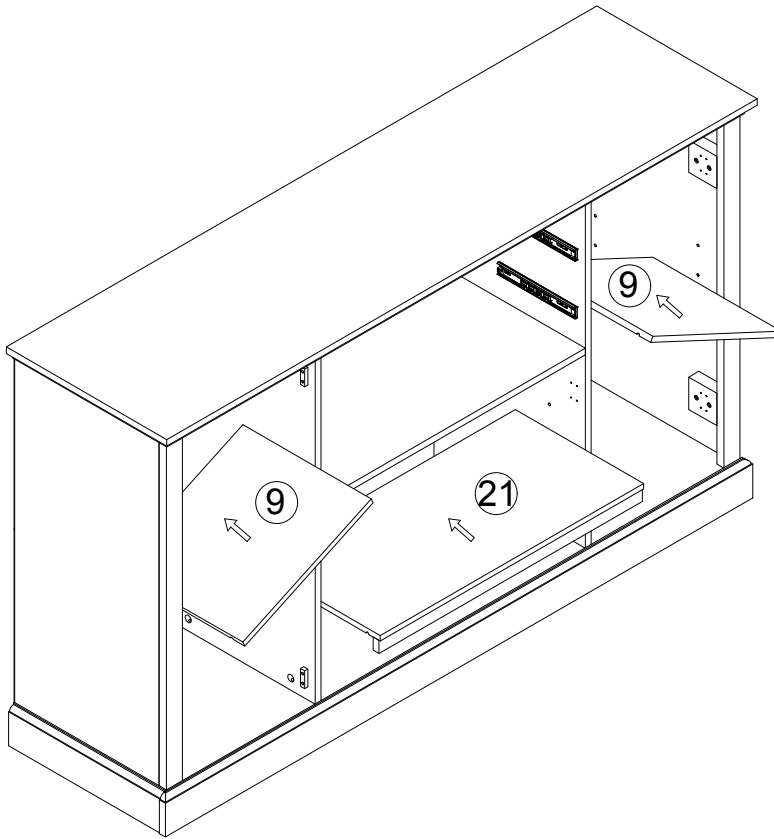
M
30 x



CAUTION: Before attaching the back panel make sure that it is square to the unit .

STEP
17

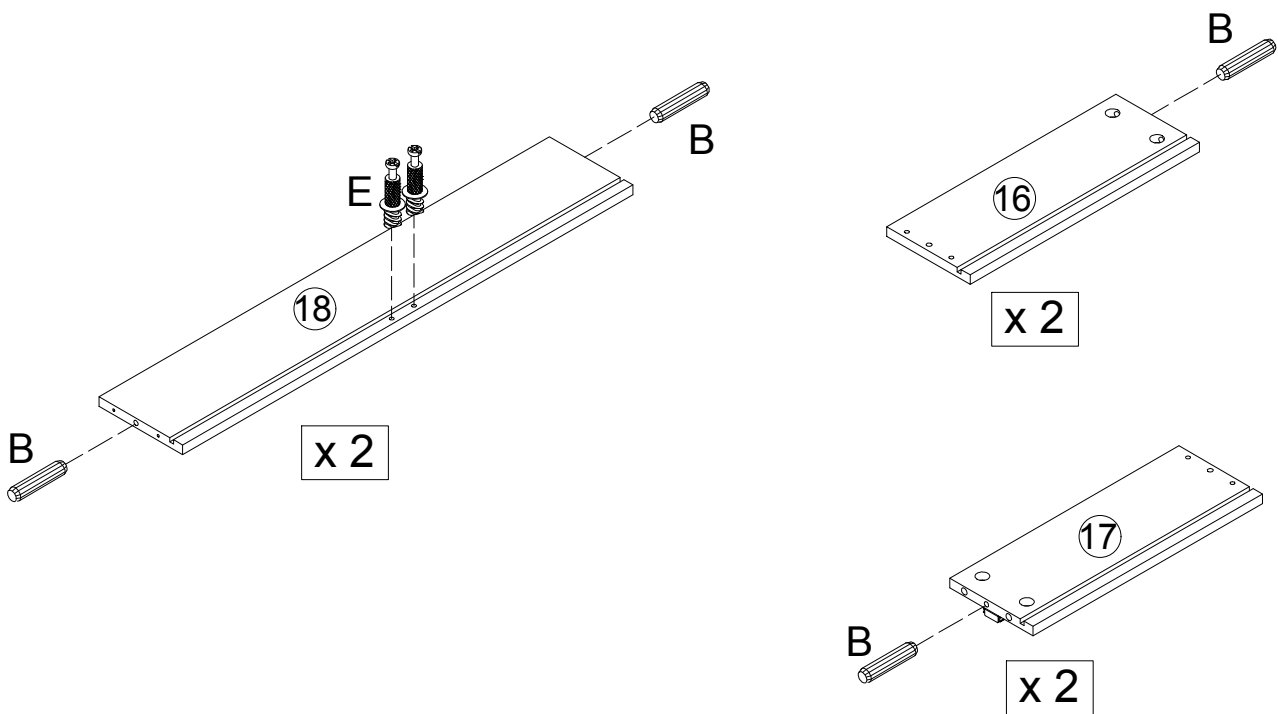
O
12 x



STEP
18

B
8 x

E
4 x

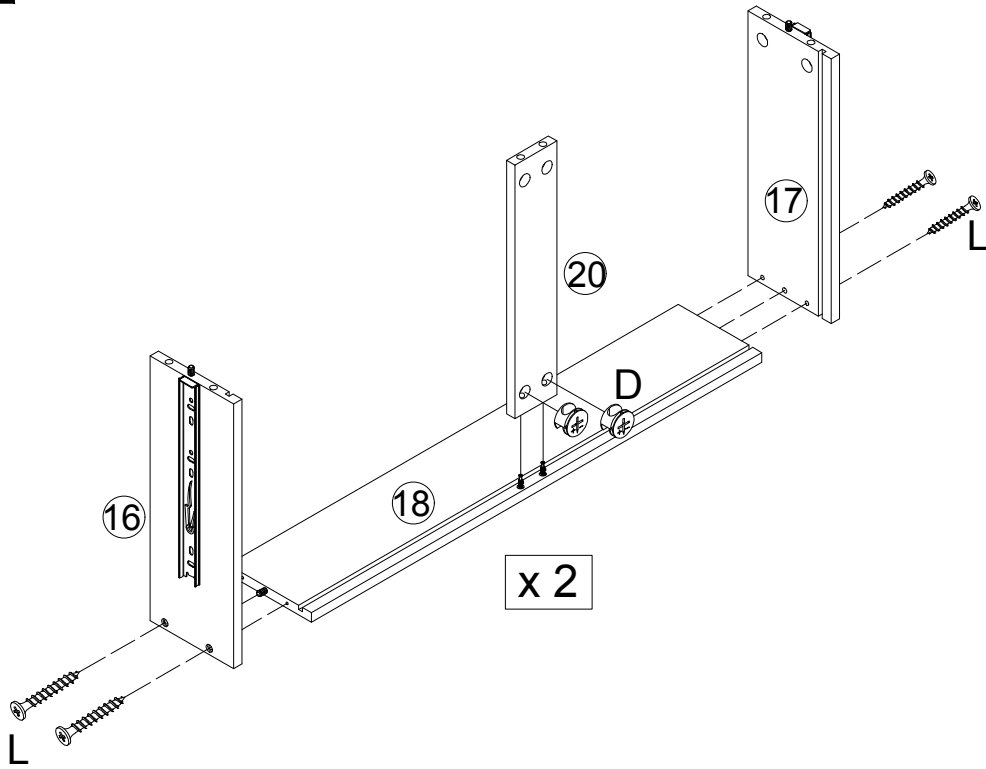
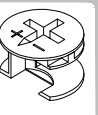


STEP
19

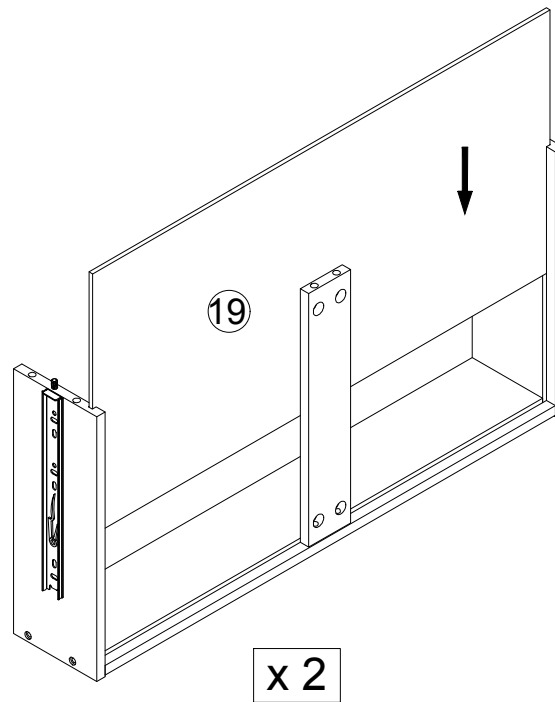
L
8 x



D
4 x



STEP
20

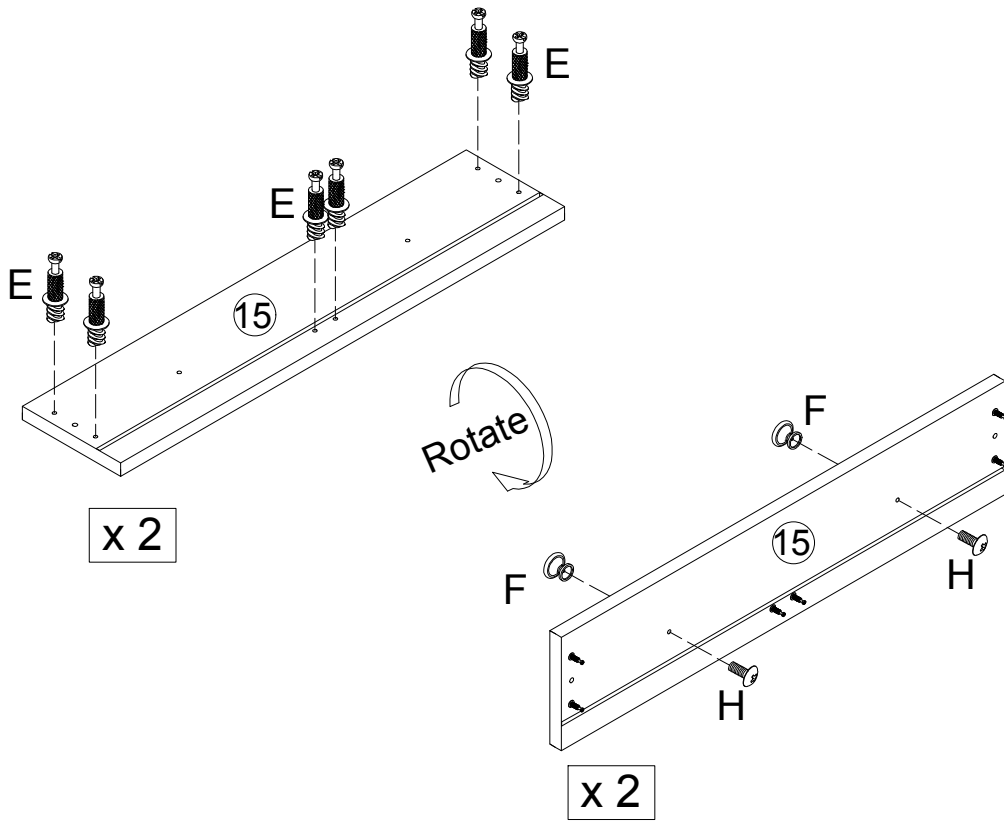


STEP
21


F
4 x 

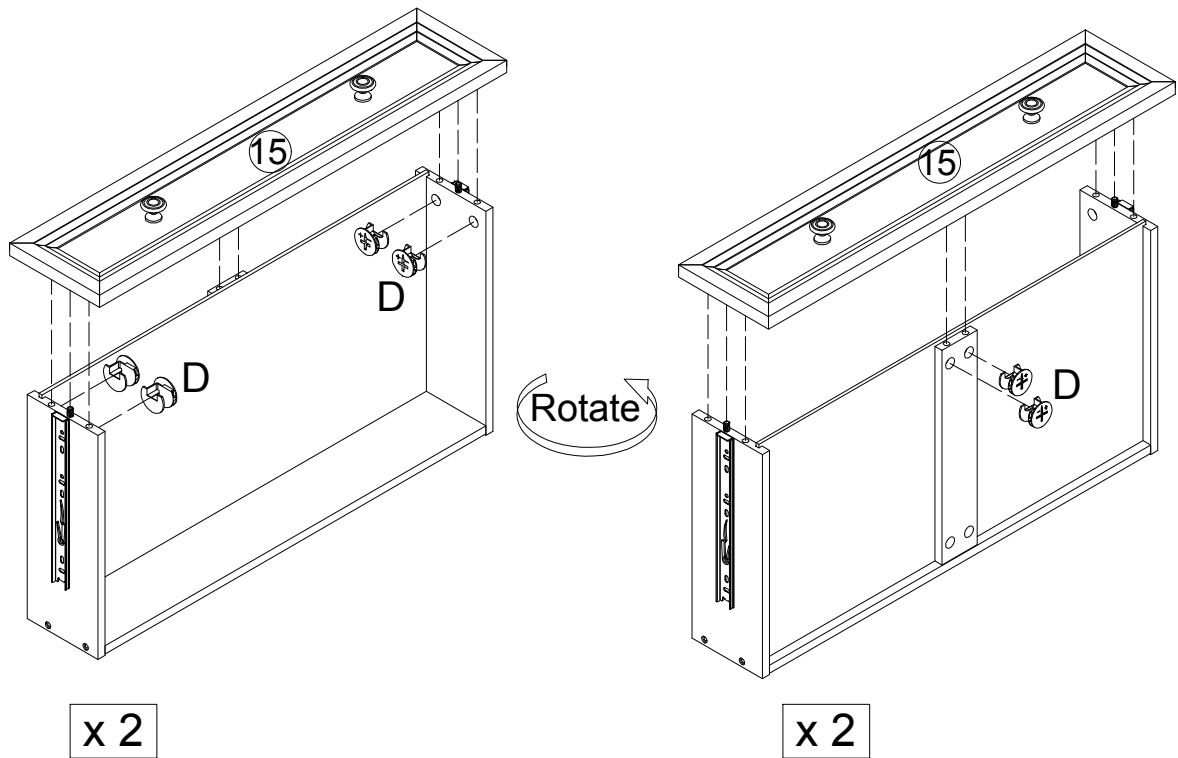
H
4 x 

E
12 x 

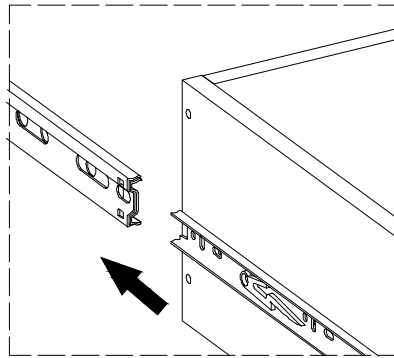
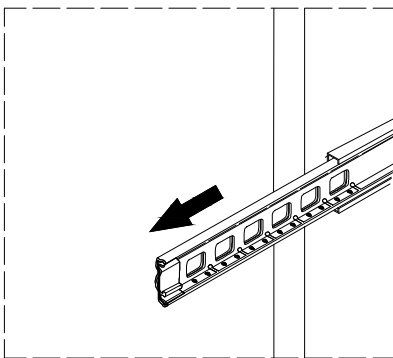
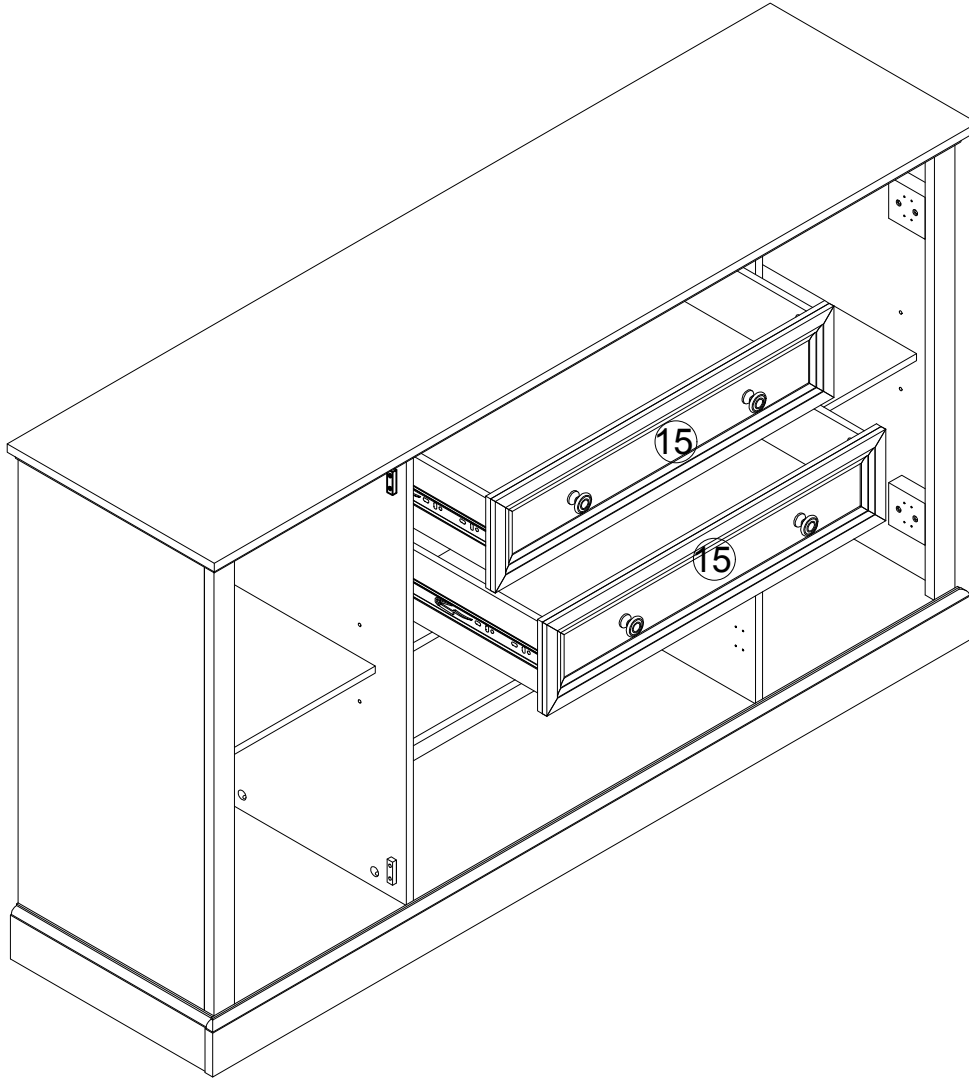


STEP
22

D
12 x 



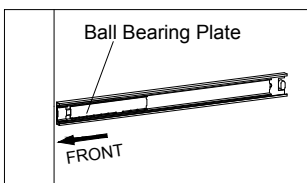
**STEP
23**



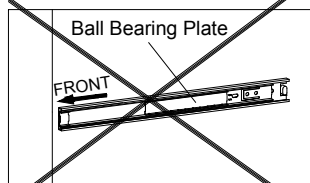
Note: Drawers are not interchangeable, follow the numbered sequences to finish the drawers assembly.

File Drawer Installation

CORRECT 1



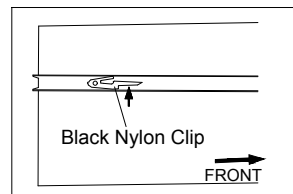
INCORRECT 2



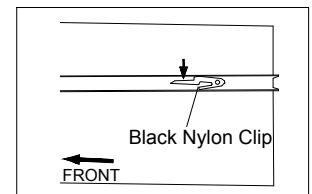
Before inserting the Drawer, make sure to slide the ball bearing plates located on the Side Frames to the FRONT of the unit as illustrated.

File Drawer Removal

3



4



To release the glides, pull the Drawer out until you can see/feel the black nylon clips. Now press the clip on the Left Glide UPWARD while lifting the clip on the Right Glide DOWNWARD. This will release the Drawer to be easily removed.

STEP
24

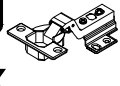
F
4 x



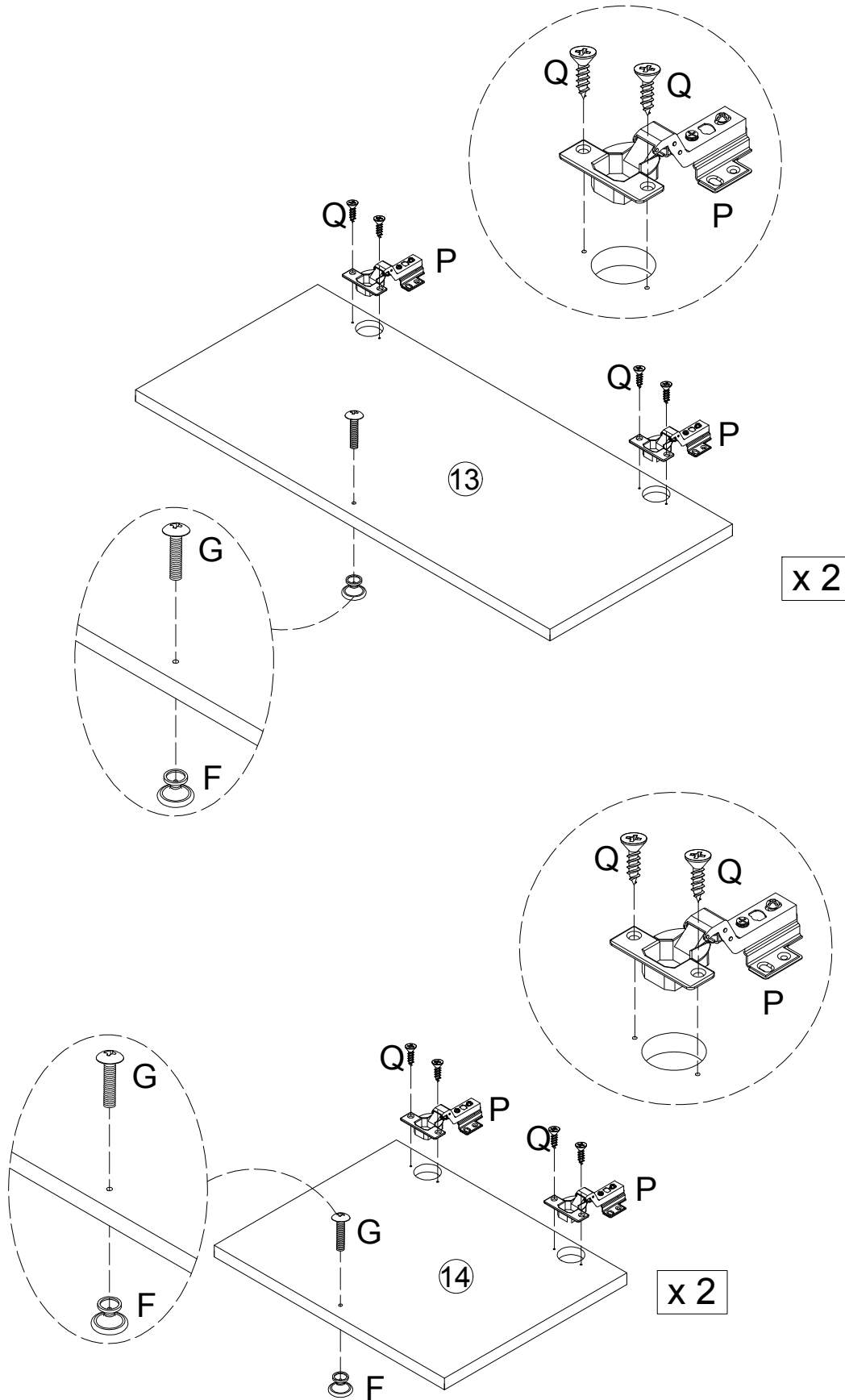
G
4 x

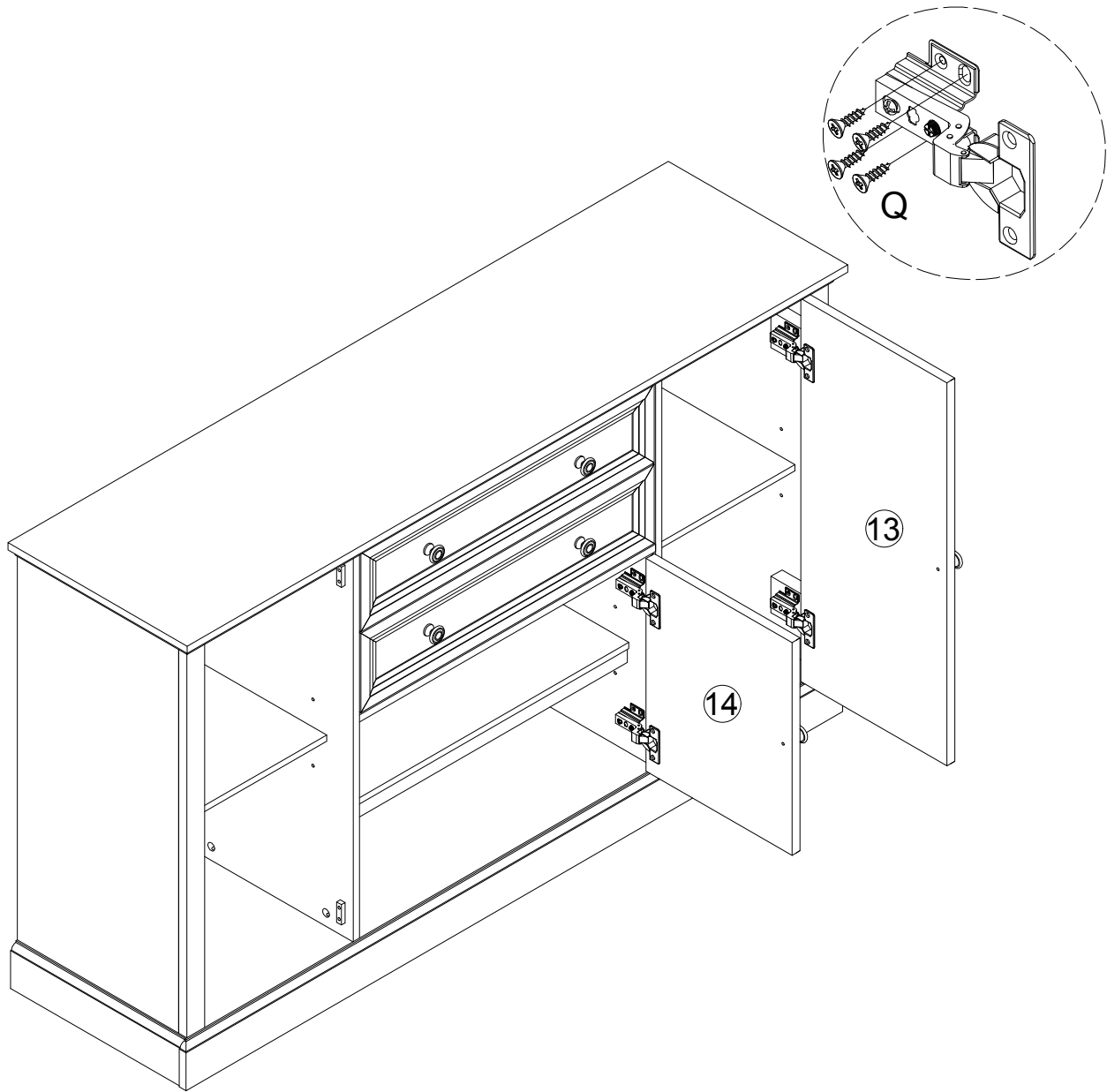


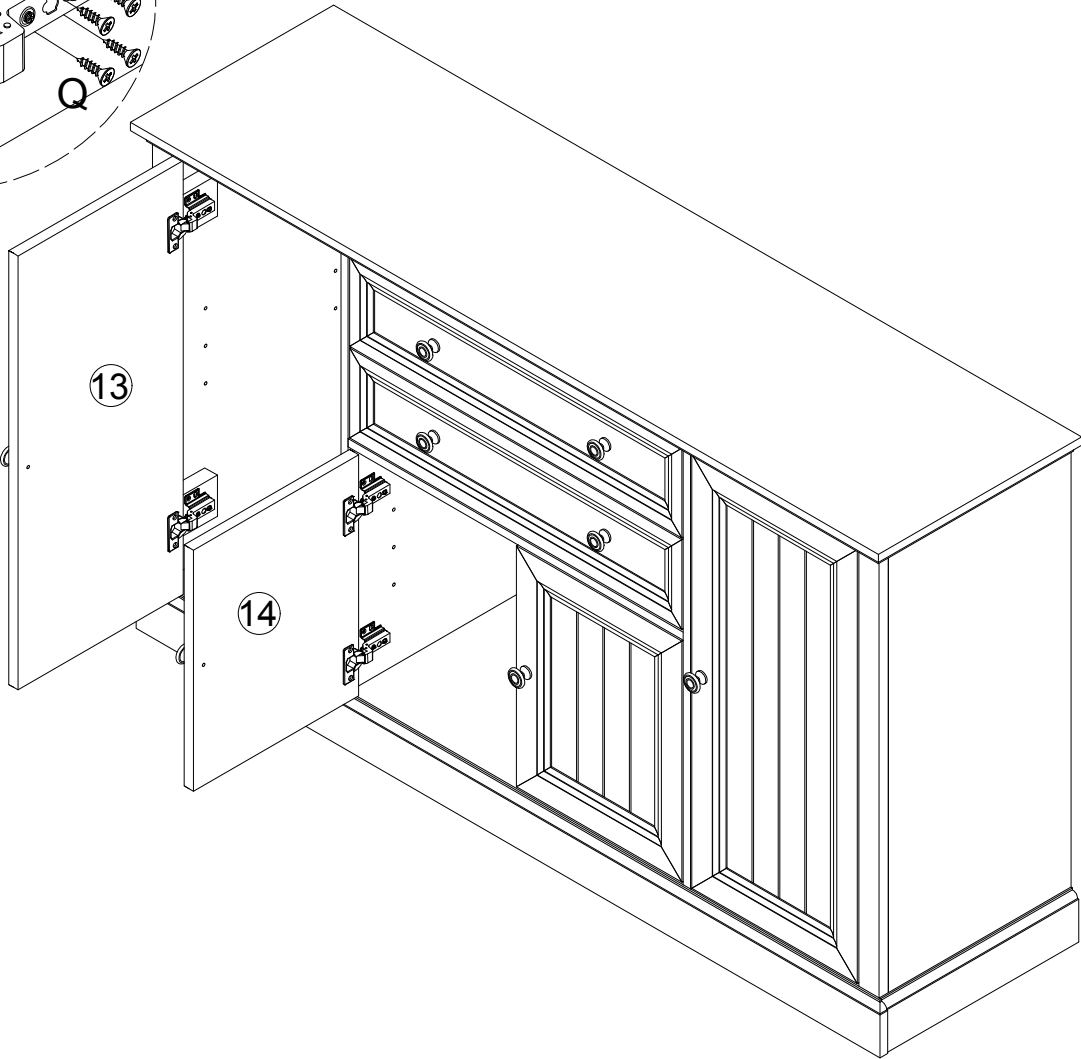
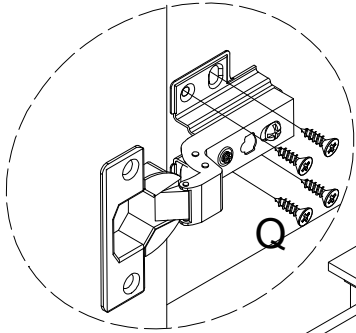
P
8 x

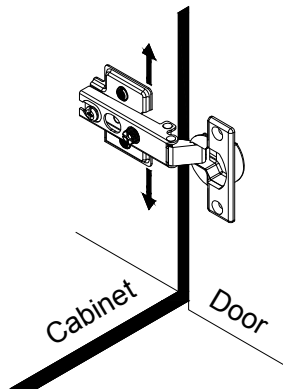
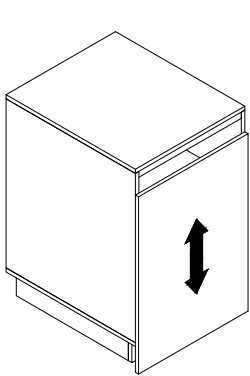
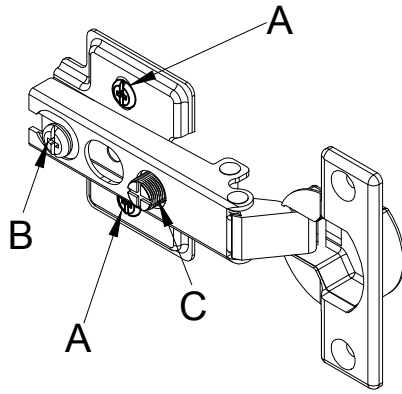


Q
16 x



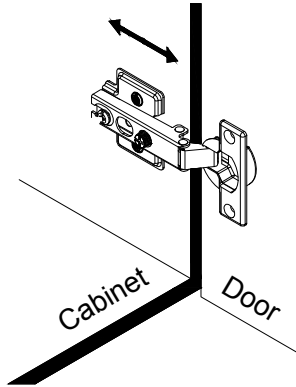
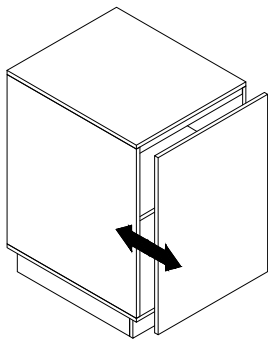






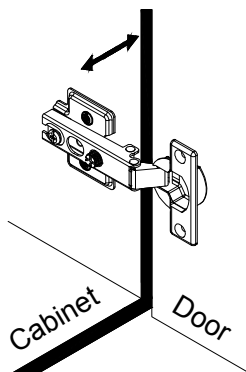
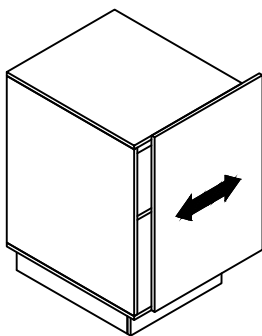
To adjust the vertical height.

Loosen the four screws "A" on both hinges. Two of them are usually in slotted holes which allows you to adjust up or down by a few mm. Then tighten back up.



To adjust depth.

Loosen screw "B" and adjust door, if the door can not be adjusted, please loosen screw "C", then try again. Tighten screw "B" and "C".

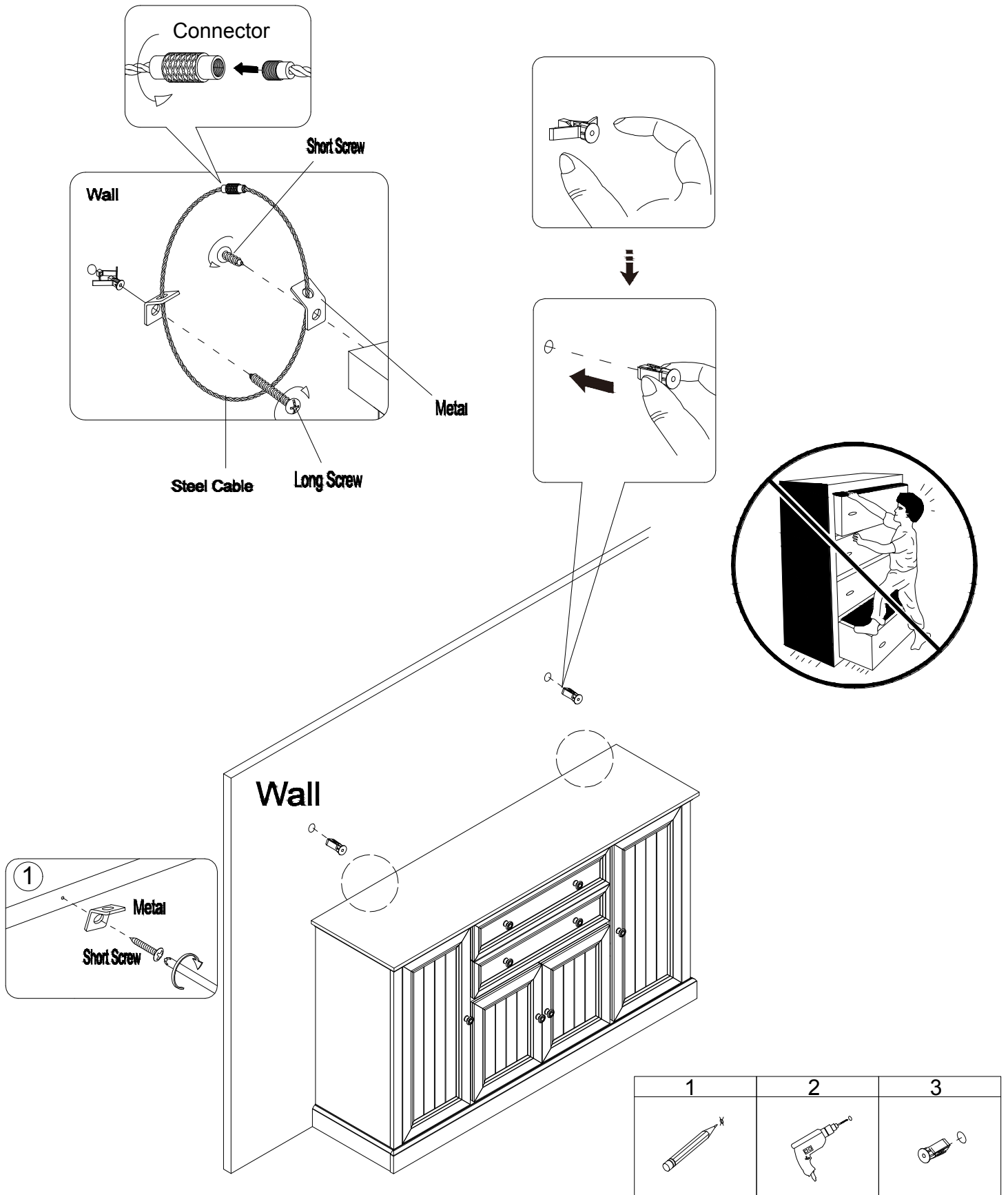


To adjust side ways.

Turning the screw "C" on BOTH hinges on each door.

WARNING

Serious or fatal injuries can occur from furniture tipping over. To prevent the furniture from tipping over we recommend that it is permanently fixed to the wall. Wall anchor and hardware are included with this product. Please make sure hardware is suitable for your walls before installing, as different wall materials may require different types of anchors.



Care and Maintenance

- Use a soft, clean cloth that will not scratch the surface when dusting.
- Use of furniture polish is not necessary. Should you choose to use polish, test first in an inconspicuous area.
- Using solvents of any kind on your furniture may damage the finish.
- Never use water to clean your furniture as it may cause damage to the finish.
- Always use coasters under beverage glasses and flowerpots.
- Liquid spills should be removed immediately. Using a soft, clean cloth, blot the spill gently. Avoid rubbing.
- Always use protective pads under hot dishes and plates. Heat can cause chemical changes that may create spotting within the furniture finish.
- Stains or marks from crayons or ink markers will be difficult to remove.
- In the event that your furniture is stained or otherwise damaged during use, we recommend that you call a professional to repair your furniture.
- Check bolts/screws and nuts periodically and tighten them if necessary.

Caring for Wood Furniture

It is best to keep your furniture in a climate-controlled environment. Extreme temperature and humidity changes can cause fading, warping, shrinking and splitting of wood. It is advised to keep furniture away from direct sunlight as sun may damage the finish.

Proper care and cleaning at home will extend the life of your purchase. Following these important and helpful tips will enhance your furniture as it ages.

Cleaning the Fireplace Trim

Clean the metal trim using a soft cloth, slightly dampened with citrus oil based product and buff with a clean soft cloth. DO NOT use brass polish or household cleaners as these products will damage the metal trim. Citrus oil based products can be obtained at supermarkets or hardware stores.