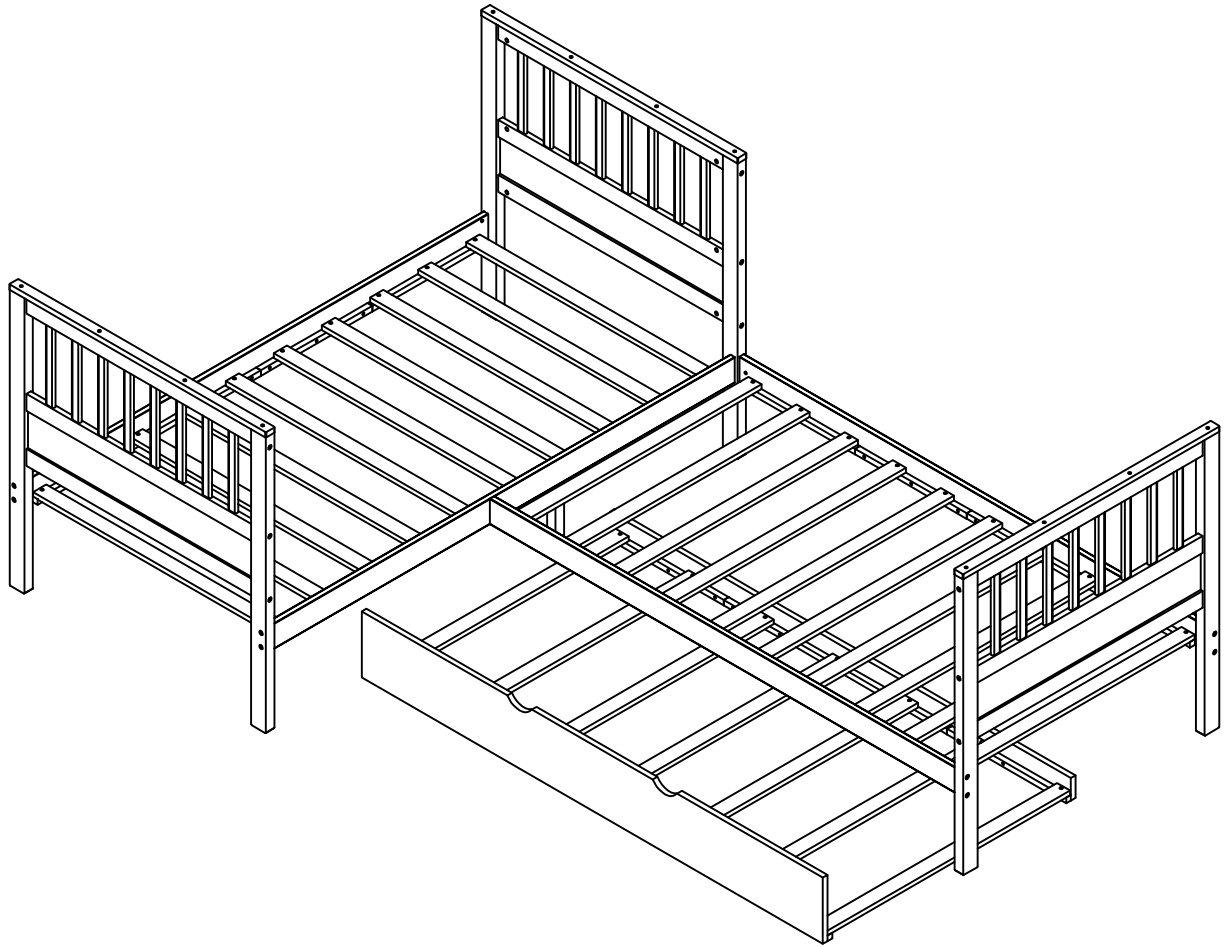


ASSEMBLY INSTRUCTION

SKU CODE: WF291402/WF291403





SAFETY WARNINGS

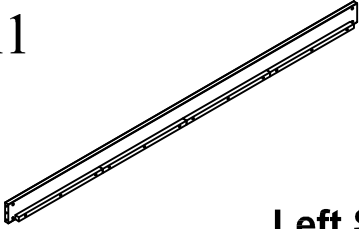
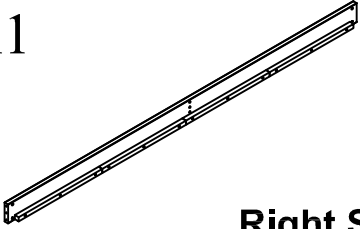
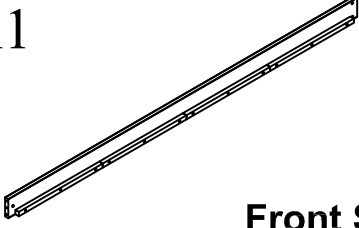
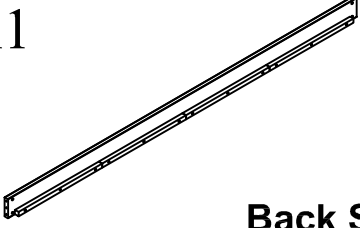
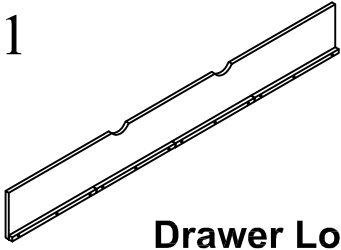
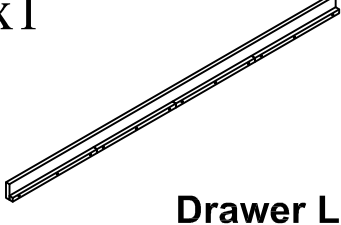
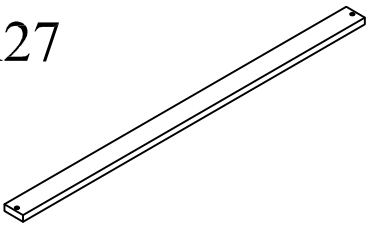


1. This bed is designed for use only mattress (es) meeting the following specifications on the bed:

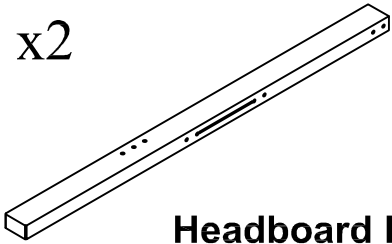
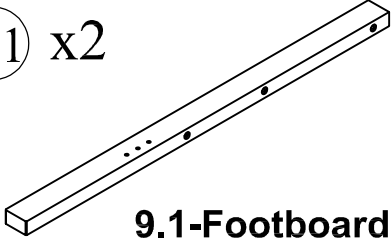
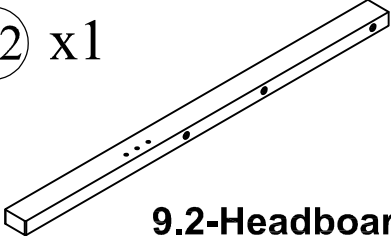
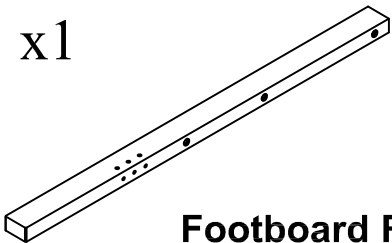
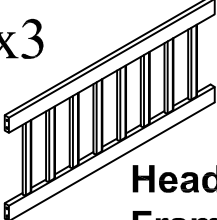
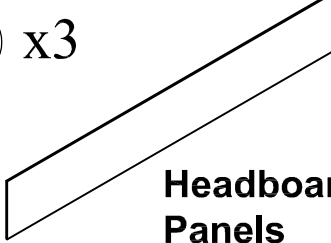

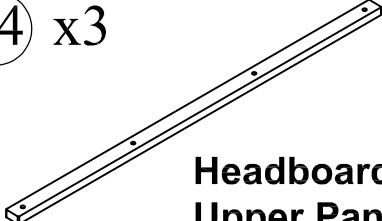
Bed Type	Length	Width	Thickness
<i>Twin Standard</i>	<i>74"-75"</i>	<i>37 ½"-38 ½"</i>	<i>6 " max</i>

2. Replacement parts, including additional guardrails, maybe obtained from any of our (GIGACLOUD TECHNOLOGY (USA) INC. 18961 ARENTH AVENUE CITY OF INDUSTRY, CA, 91748) dealers.
3. Follow the information on the warnings appearing on the upper bunk bed end structure and on the carton. Do not remove warning label from bed.
4. Always use the recommended size mattresses or mattress supports, or both, to help prevent the likelihood of entrapment or falls.
5. Surface of the mattress must be at least 5" . (127 mm) below the upper edge of guardrails.
6. Do not allow children under 6 years of age to use the upper bunk.
7. Periodically check and ensure that the guardrail, ladder, and other components are in their proper position, free from damage, and that all connectors are tight.
8. Do not allow horseplay on or under the bed and prohibit jumping on the bed
9. Always use the ladder for entering and leaving the upper bunk.
10. Do not use substitute parts. Contact the manufacturer or dealer for replacement parts.
11. Use of a night light may provided added safety precaution for a child using the upper bunk.
12. Always use guardrails on both long sides of the upper bunk. If the bunk bed will be placed next to the wall, the guardrail that runs the full length of the bed should be placed against the wall to prevent entrapment between the bed and wall.
13. The use of water or sleep flotation mattresses is prohibited.
14. STRANGULATION HAZARD – Never attach or hang items to any part of the bunk bed that are not designed for use with the bed; for example, but not limited to, hook, belts and jump ropes.
15. Keep these instructions for future reference
16. Prohibit more than one person on upper bunk.
17. We recommend assembling your bunk bed on the shipping carton to protect your floor or carpet.
18. Be certain all staples are out of the box before beginning assembly on the shipping carton.


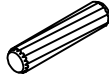





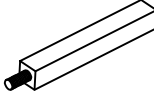

Part List (BOX WF291402)

<p>① x1</p>  <p>Left Side Rail</p>	<p>② x1</p>  <p>Right Side Rail</p>
<p>③ x1</p>  <p>Front Side Rail</p>	<p>④ x1</p>  <p>Back Side Rail</p>
<p>⑤ x1</p>  <p>Drawer Long Front</p>	<p>⑥ x1</p>  <p>Drawer Long Back</p>
<p>⑦ x27</p>  <p>Slats</p>	

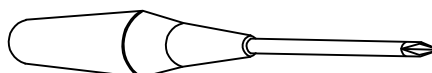
Part List (BOX WF291403)

<p>⑧ x2</p>  <p>Headboard Left Legs</p>	<p>⑨.1 x2</p>  <p>9.1-Footboard Right Legs</p>
<p>⑨.2 x1</p>  <p>9.2-Headboard Left Leg</p>	<p>⑩ x1</p>  <p>Footboard Right Leg</p>
<p>⑪ x3</p>  <p>Headboard-Footboard Frames</p>	<p>⑫ x3</p>  <p>Headboard-Footboard Panels</p>
<p>⑬ x3</p>  <p>Headboard-Footboard Guards</p>	<p>⑭ x3</p>  <p>Headboard-Footboard Upper Panels</p>




Hardware List (BOX WF291403)

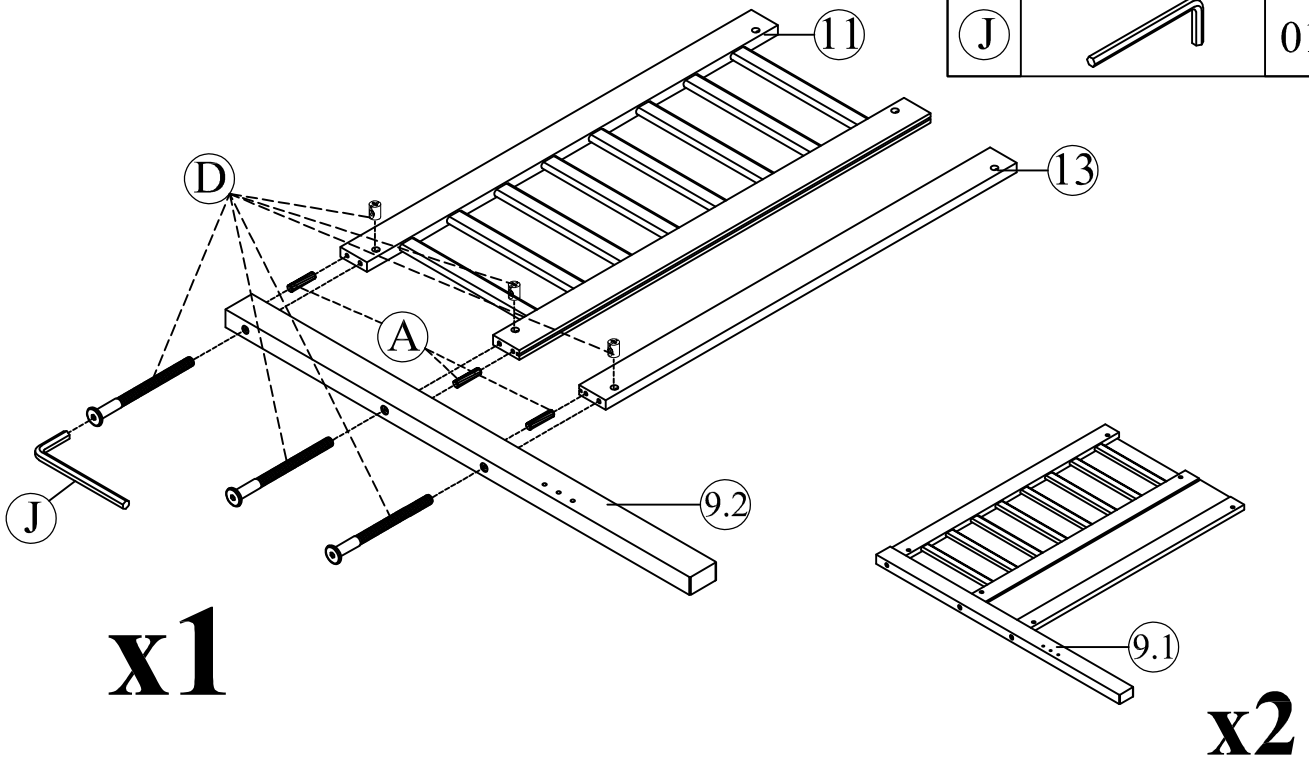
No.	OUTLOOK	DESC	QTY
A		Dowel Ø8*30mm	18
B		Dowel Ø10*40mm	09
C		Bolts 1/4"*70mm	14
D		Bolts 1/4"*120mm	19
E		Screws #8*30mm	66
F		Screws #6*15mm	08
H		Wheels 40mm	04
I		Support Leg	01
J		Allen key 60*22*4mm	01

ASSEMBLY TOOLS REQUIRED (NOT INCLUDED)

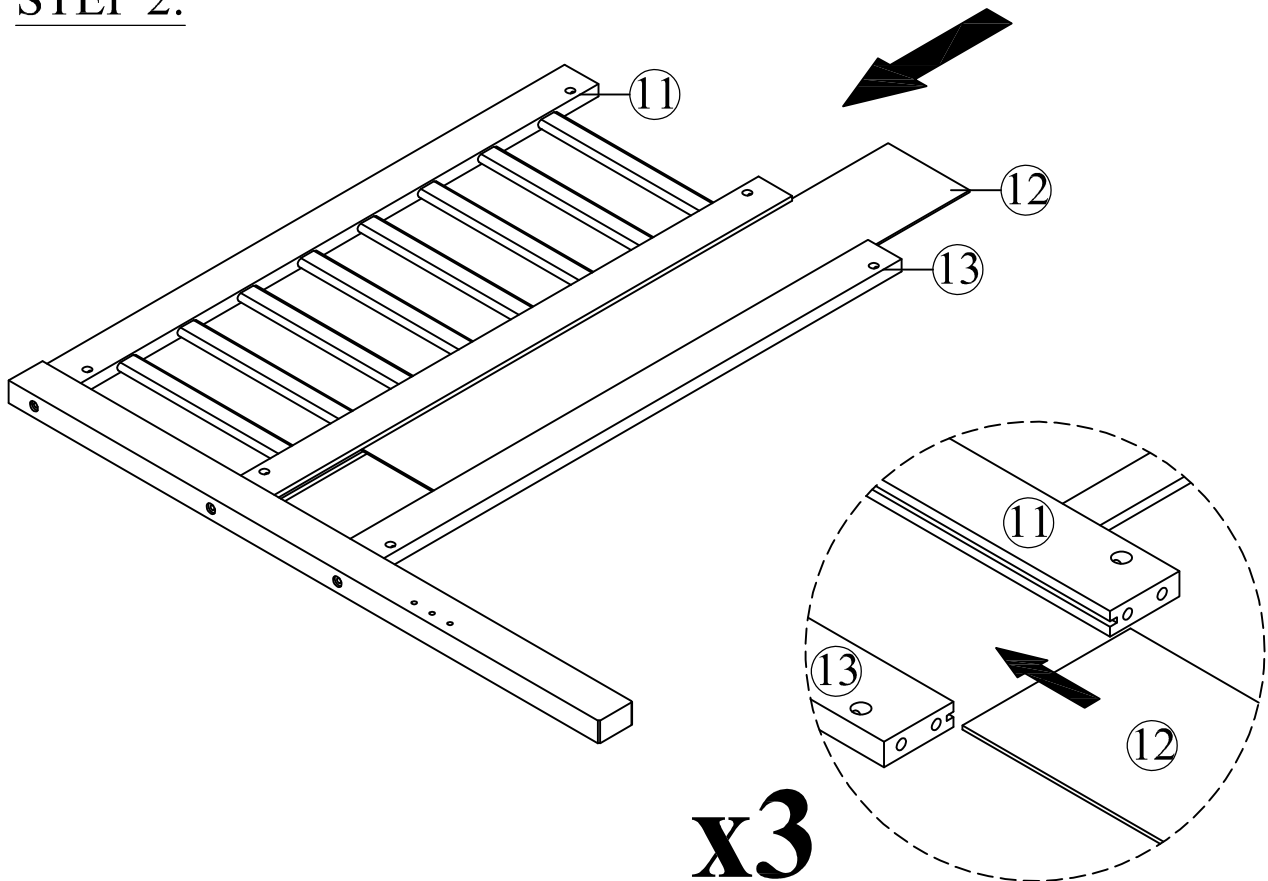


STEP 1:




(A)		09
(D)		09
(J)		01

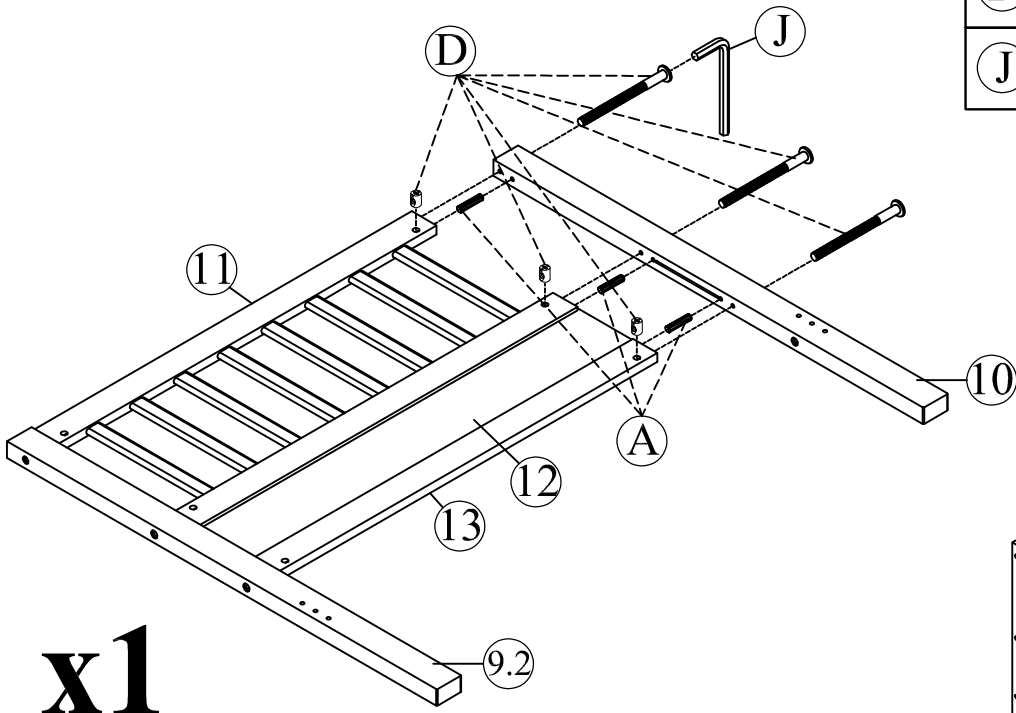


STEP 2:

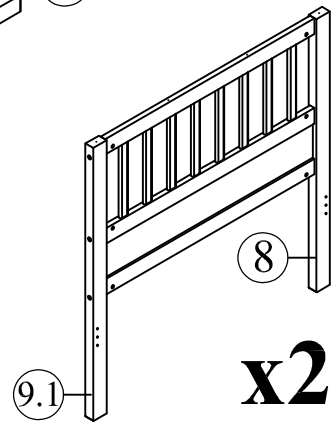


STEP 3:

(A)		09
(D)		09
(J)		01




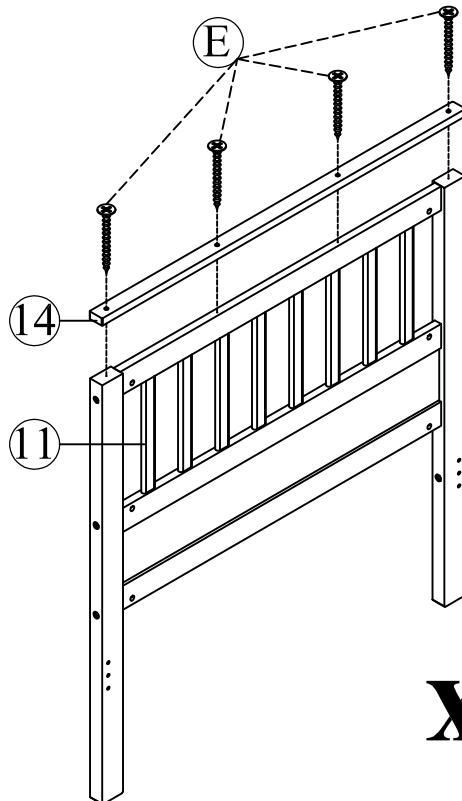
x1



x2




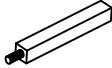
STEP 4:

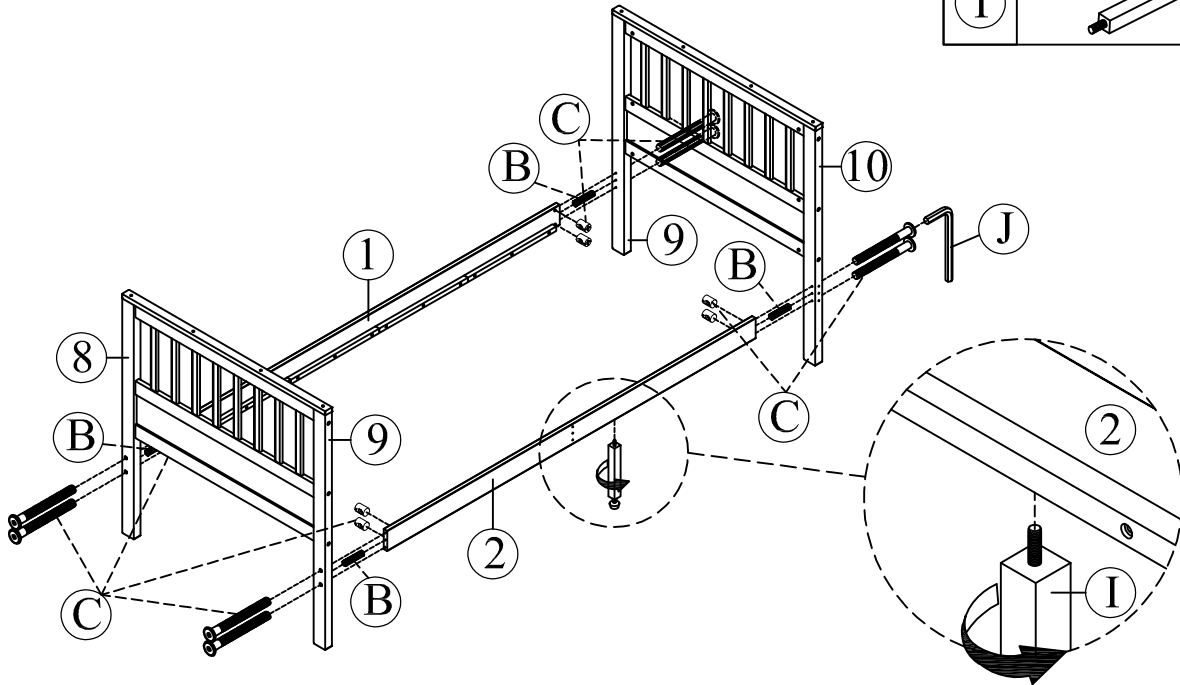
(E)		12
-----	---	----



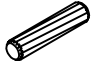


x3

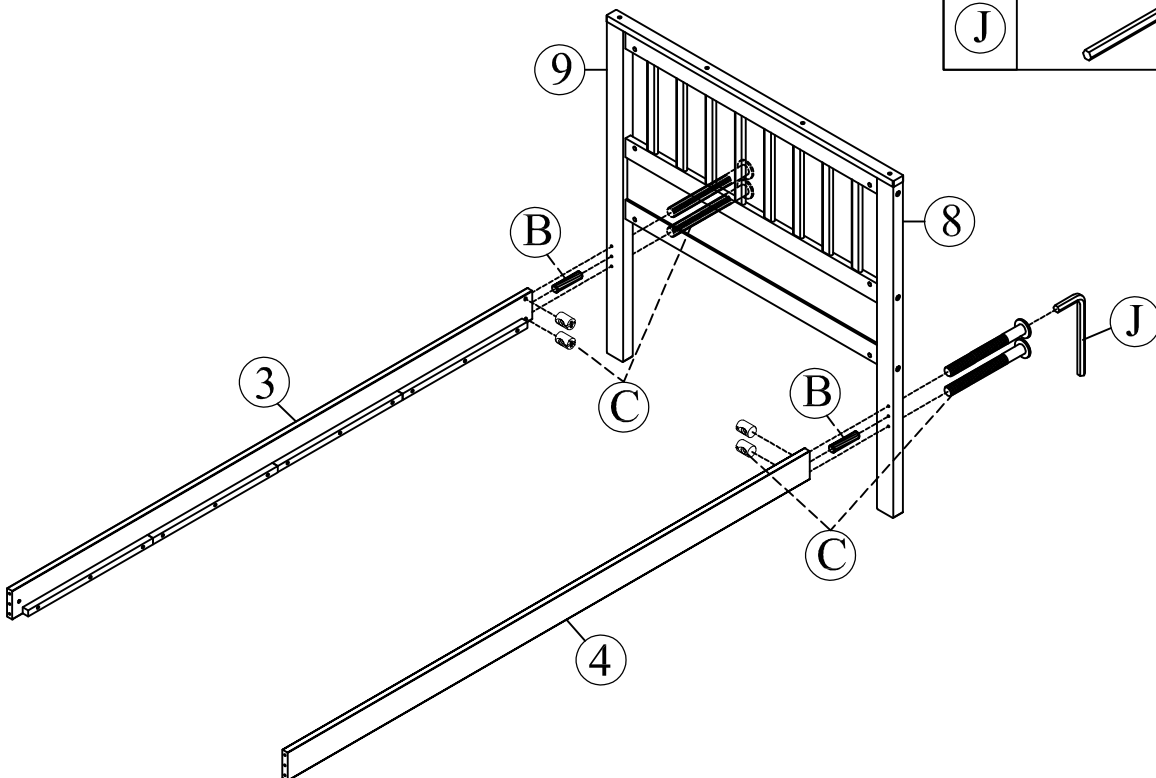
STEP 5:

(B)		04
(C)		08
(J)		01
(I)		01







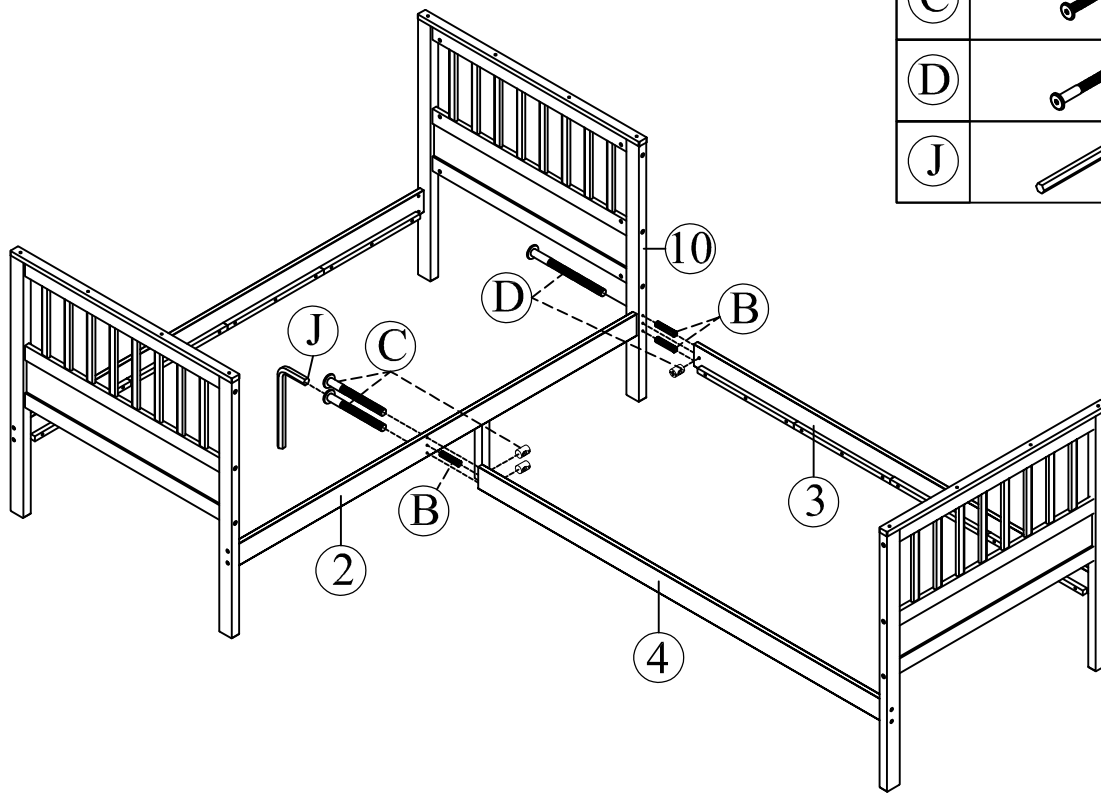
STEP 6:

(B)		02
(C)		04
(J)		01




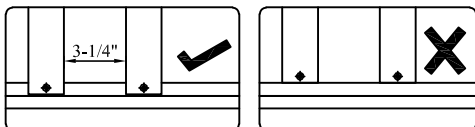
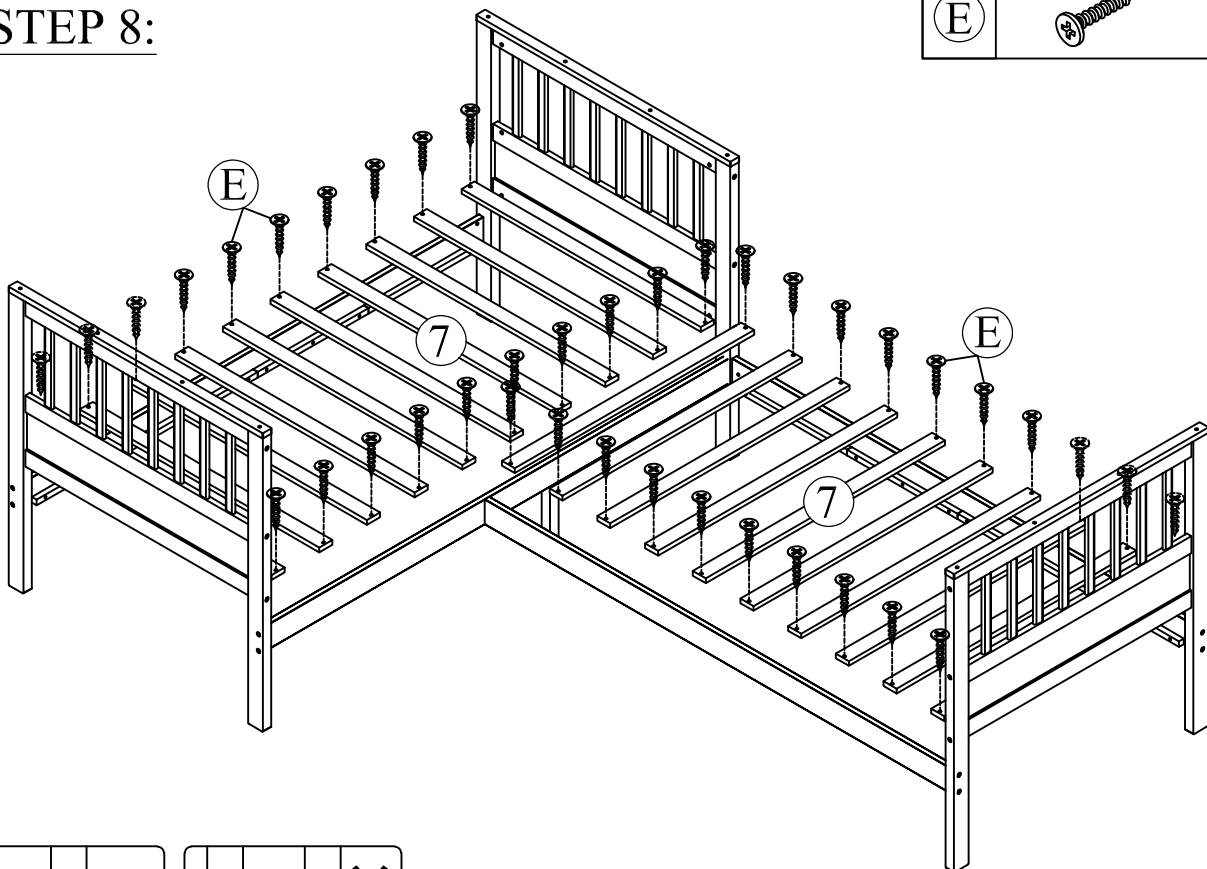
STEP 7:

(B)		03
(C)		02
(D)		01
(J)		01



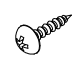


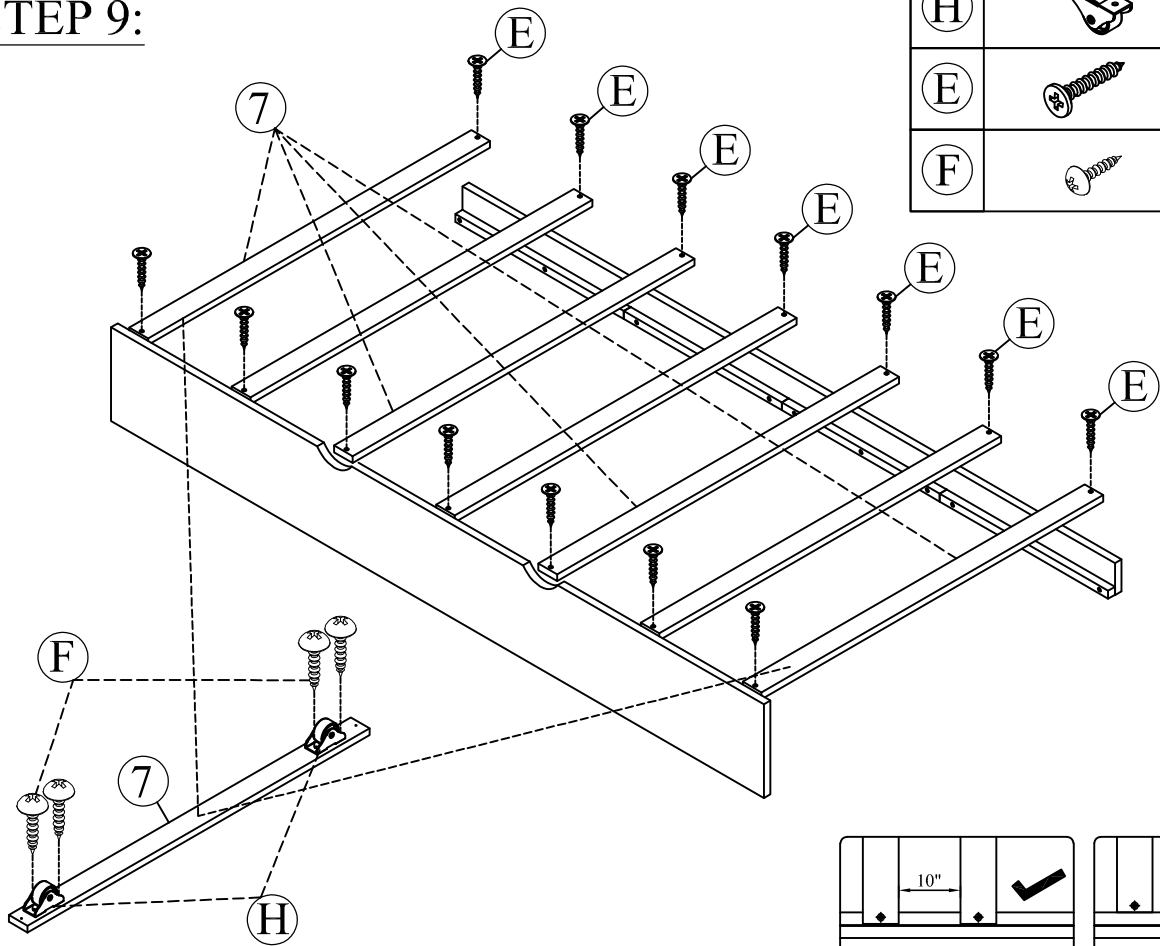
STEP 8:

(E)		40
-----	---	----



STEP 9:

(H)		04
(E)		14
(F)		08



FINAL

