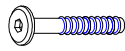


# QUEEN/FULL BED

## Assembly Instruction

### A . Components :

- |                    |      |
|--------------------|------|
| 1. Headboard       | 1 x  |
| 2. HB Leg          | 4 x  |
| 3. HB Frame Bottom | 1 x  |
| 4. Footboard       | 1 x  |
| 5. Bed Rail        | 2 x  |
| 6. Roll Slat       | 12 x |
| 7. Center Slat     | 1 x  |
| 8. Slat Support    | 4 x  |



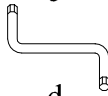
a



b



c



d



e



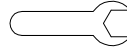
f



g



h



i

### B . Hardware :

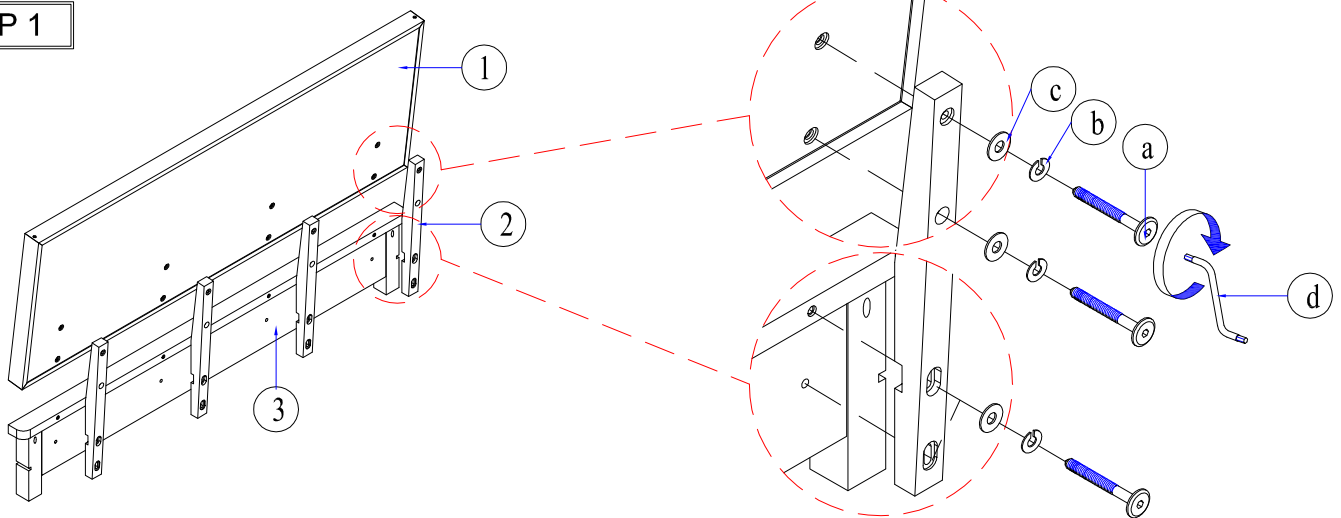
- |                  |      |
|------------------|------|
| a. Allen Bolt    | 16 x |
| b. Lock Washer   | 16 x |
| c. Flat Washer   | 16 x |
| d. Allen Key     | 1 x  |
| e. Screw         | 8 x  |
| f. Stud Bolt     | 8 x  |
| g. Square Washer | 8 x  |
| h. Hex Nut       | 8 x  |
| i. Wrench        | 1 x  |

### C . Tool Required :

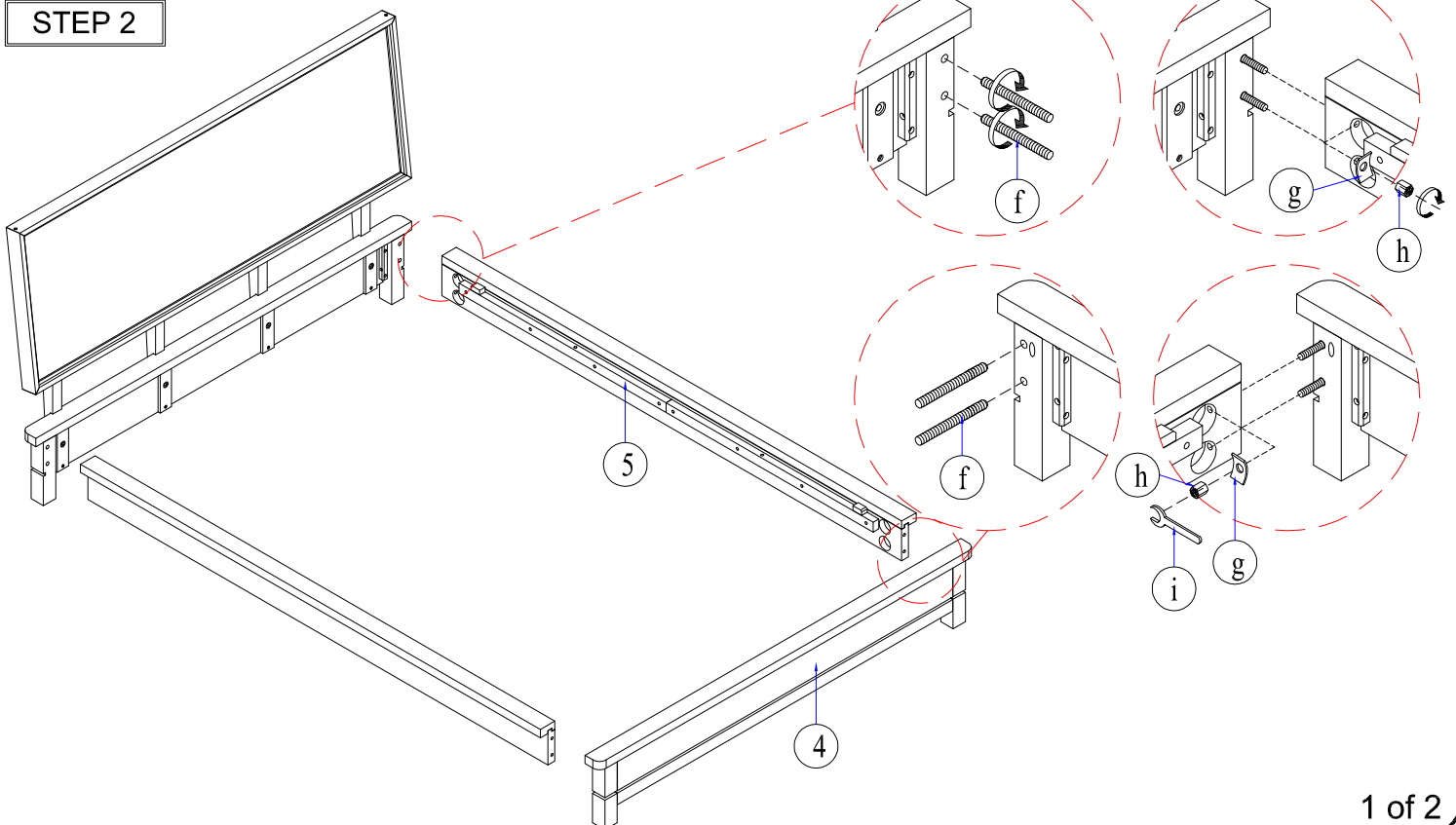
- Screw Driver = (not included)



### STEP 1

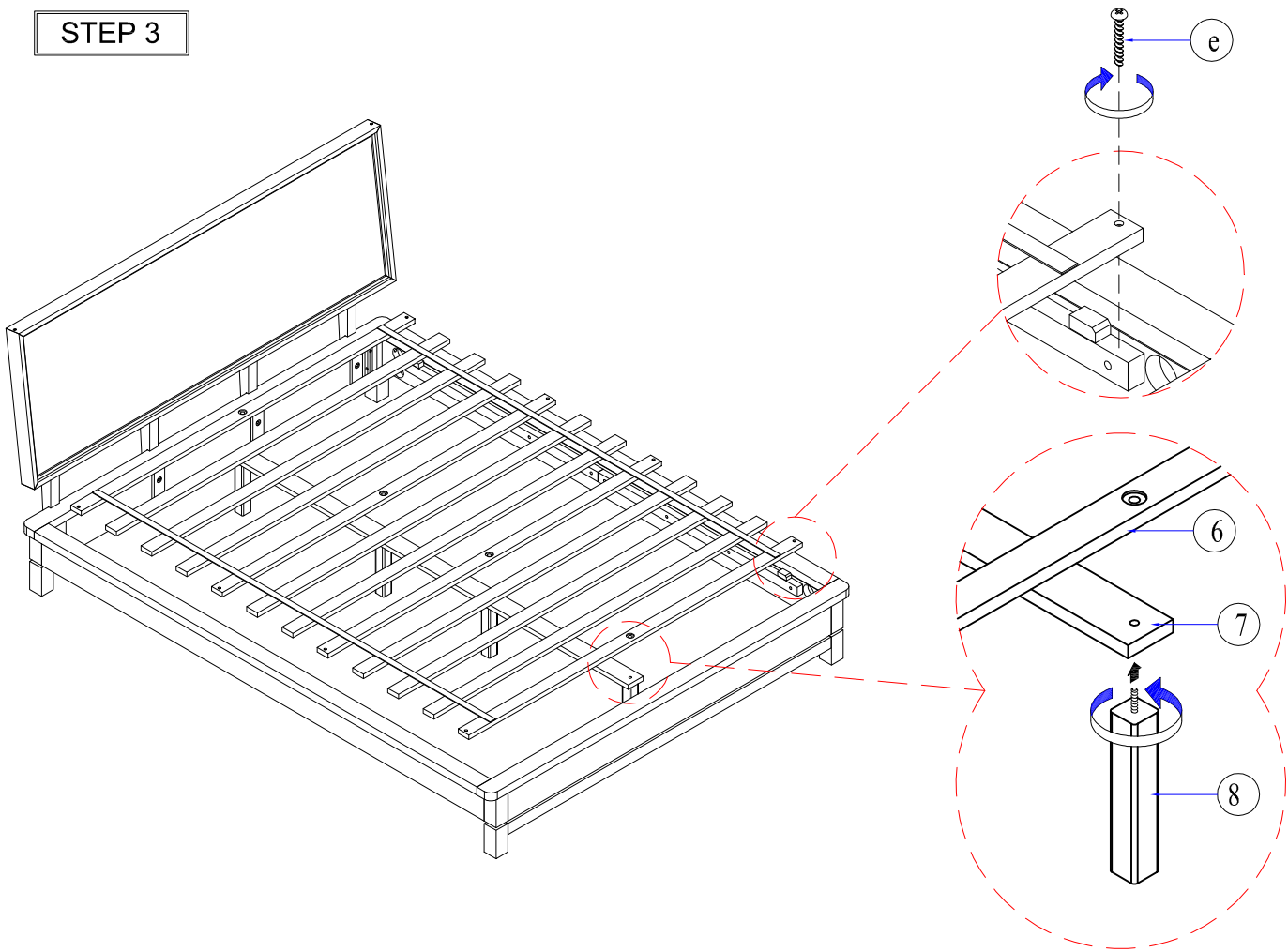


### STEP 2



# QUEEN/FULL BED

STEP 3



FINISH

