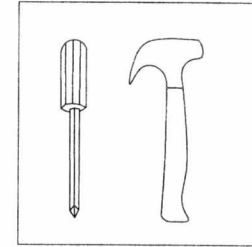
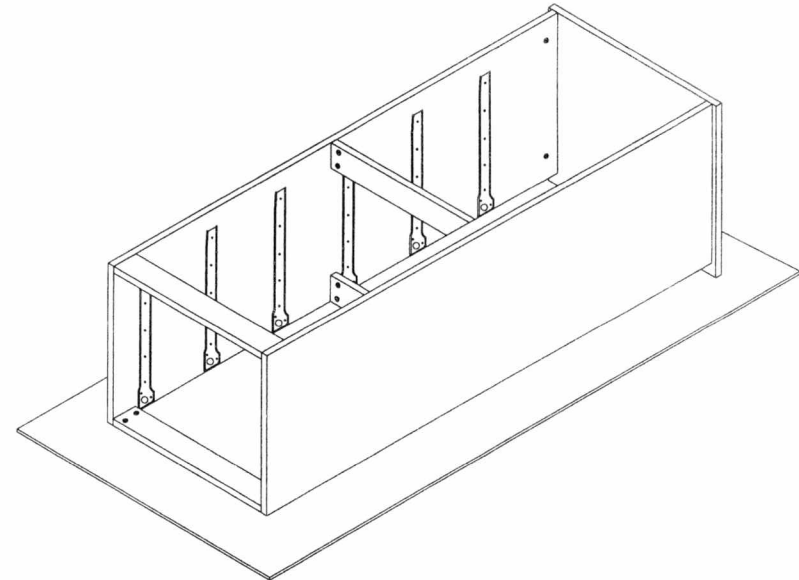
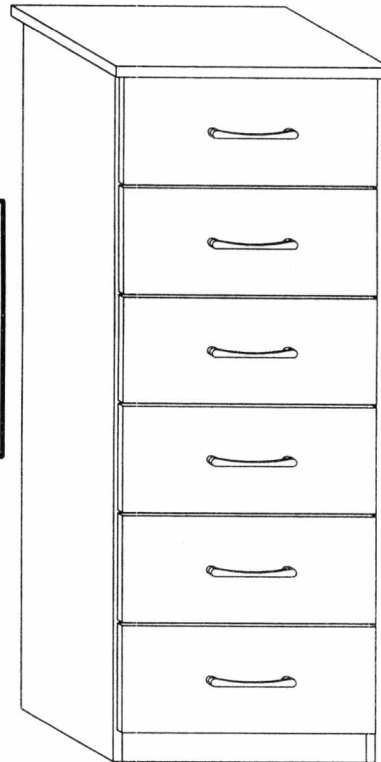


Required Tools : Screwdriver & Hammer

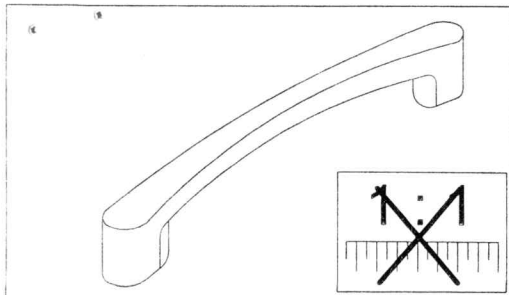


⚠ WARNING
Unit can tip over causing severe injury or death.
Anchor unit to stud or wall.
DO NOT allow children to climb on unit.
Put heavy items on lower shelves or drawers.
Read and follow all assembly instruction.



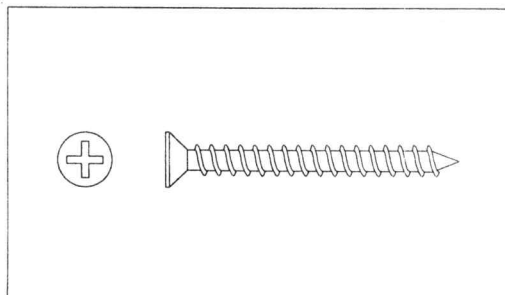
Please place on the carton while installing to prevent damage or scratches.





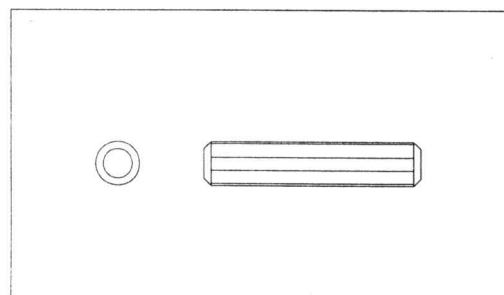
A | **6PCS**

Plastic Handle



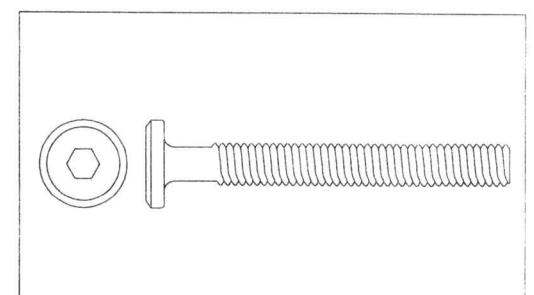
B | **12PCS**

Handle Screw
M4 X 40mm



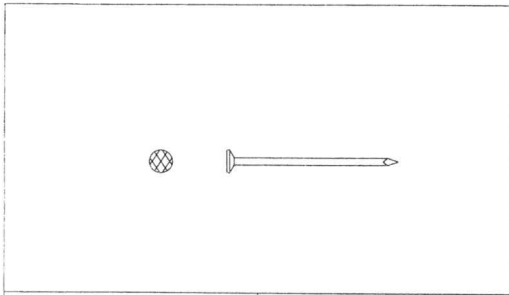
C | **36PCS**

Wood Dowel
M6 X 30mm



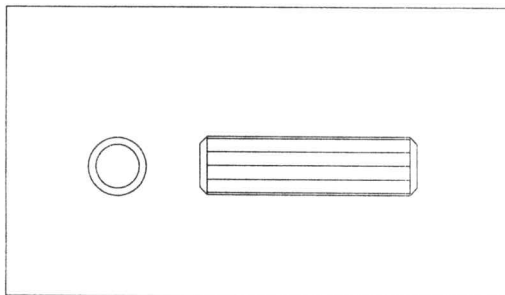
D | **12PCS**

JCBC Bolt
M6 X 50mm



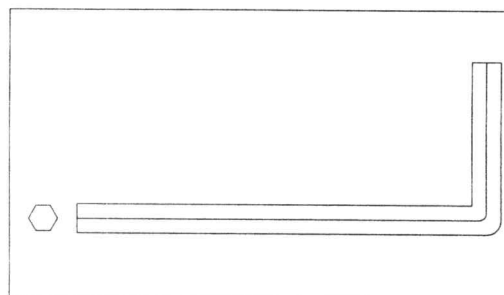
E | **42PCS**

Nail



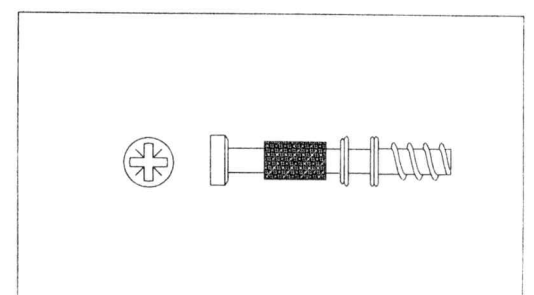
F | **2PCS**

Wood Dowel
M8 X 30mm



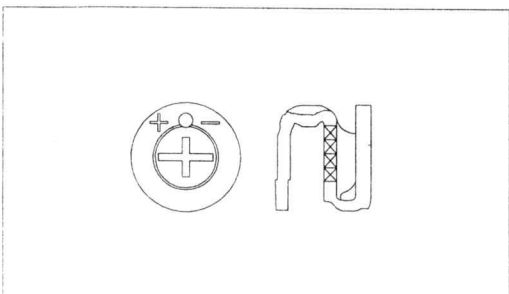
G | **1PC**

Allen Key



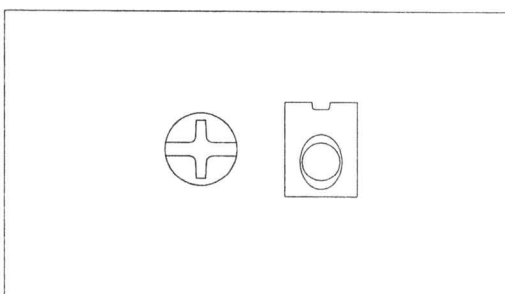
H | **44PCS**

Cam Screw



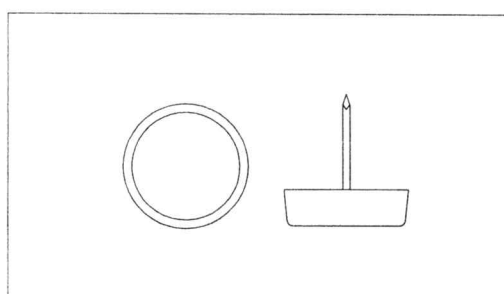
I | **44PCS**

Cam Lock



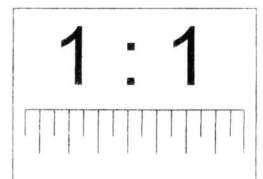
J | **12PCS**

Barrel Nut

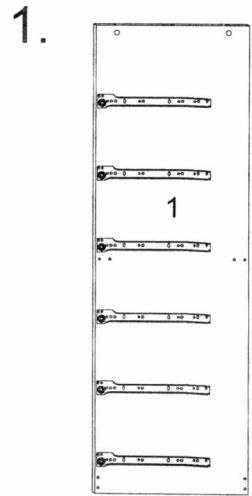


K | **4PCS**

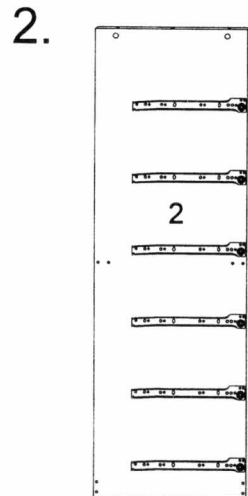
Nail Leg With Pin



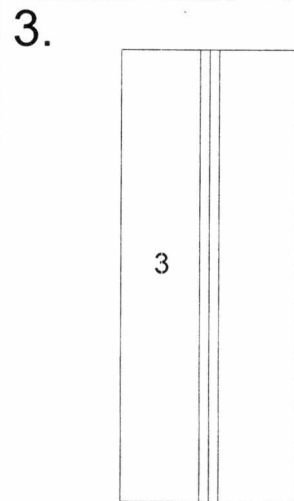
ASSEMBLY INSTRUCTION (PART LIST)



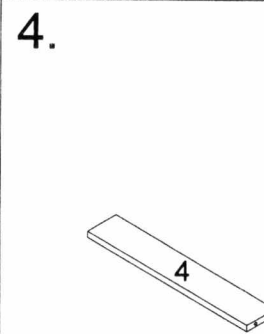
SIDE PANEL (L) (1PC)



SIDE PANEL (R) (1PC)



BACK PANEL (1PC)



FRONT & BACK
APRON (4PCS)

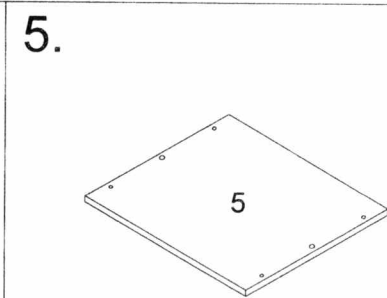
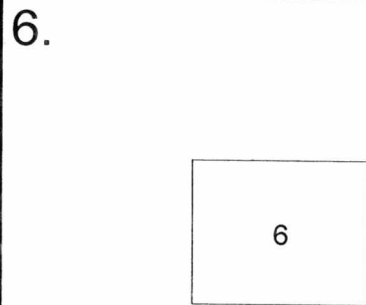
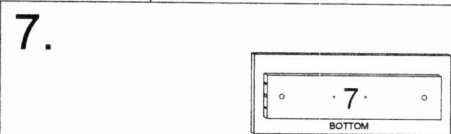


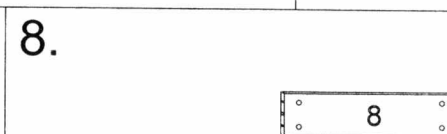
TABLE TOP (1PC)



DRAWER PANEL
(6PCS)



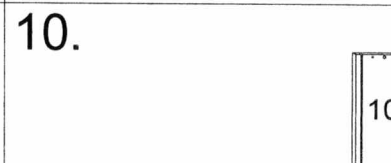
DRAWER TOP (6PCS)



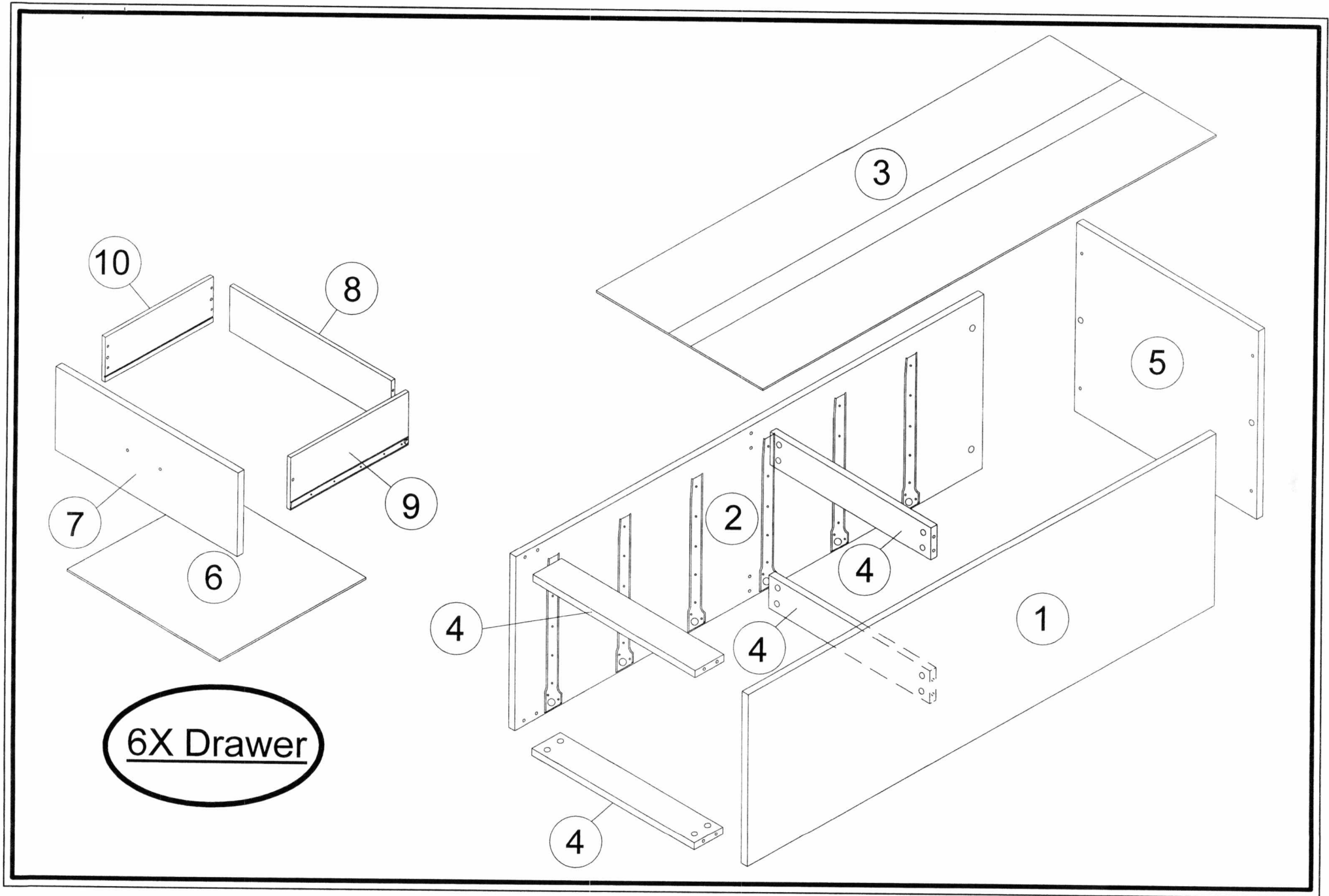
DRAWER BACK PANEL
(6PCS)



DRAWER SIDE PANEL
R (6PCS)



DRAWER SIDE PANEL
L (6PCS)




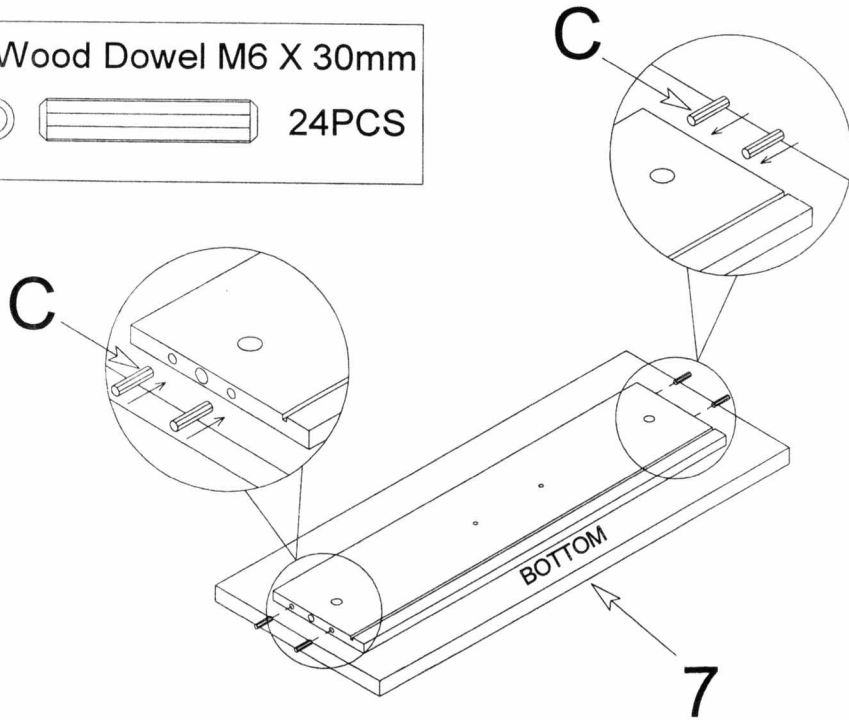
ASSEMBLY INSTRUCTION

STEP 1.

6X Drawer

C-Wood Dowel M6 X 30mm

 24PCS



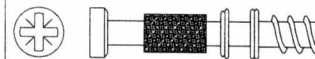
Pre-Assembly

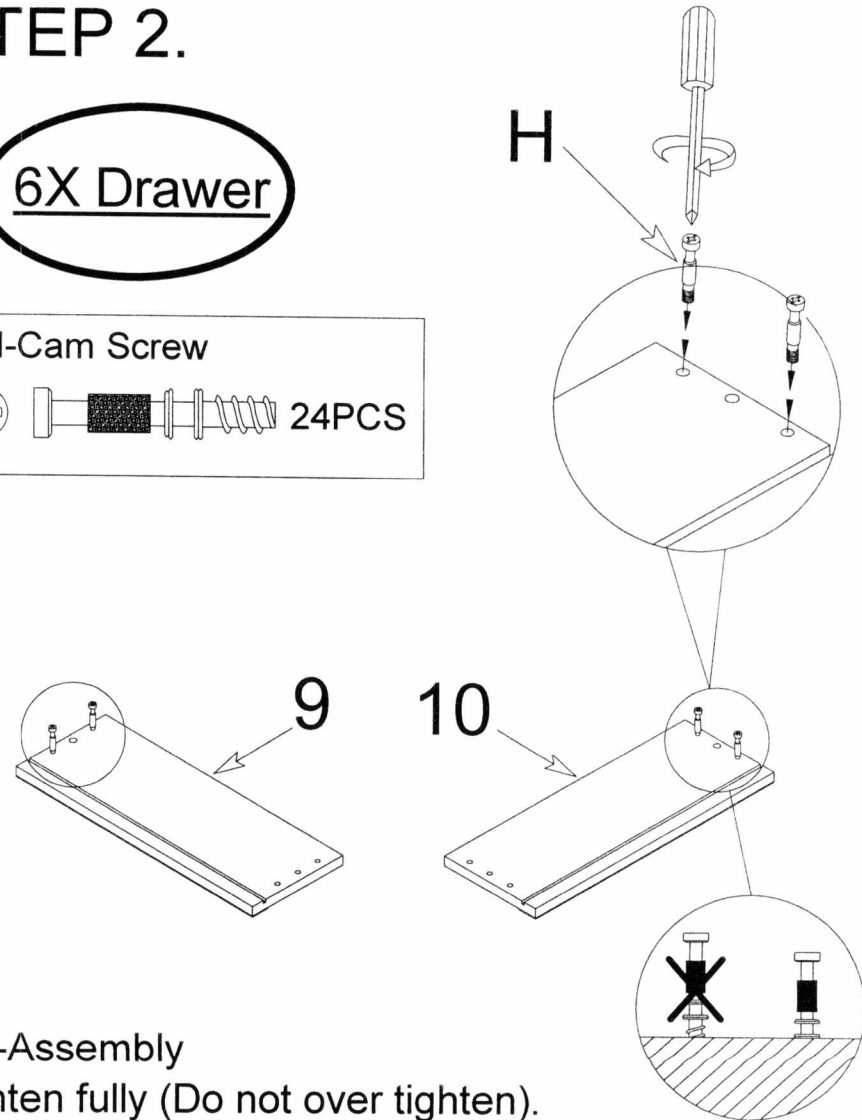
Insert wood dowel in predrilled hole.

STEP 2.

6X Drawer

H-Cam Screw

 24PCS



Pre-Assembly

Tighten fully (Do not over tighten).

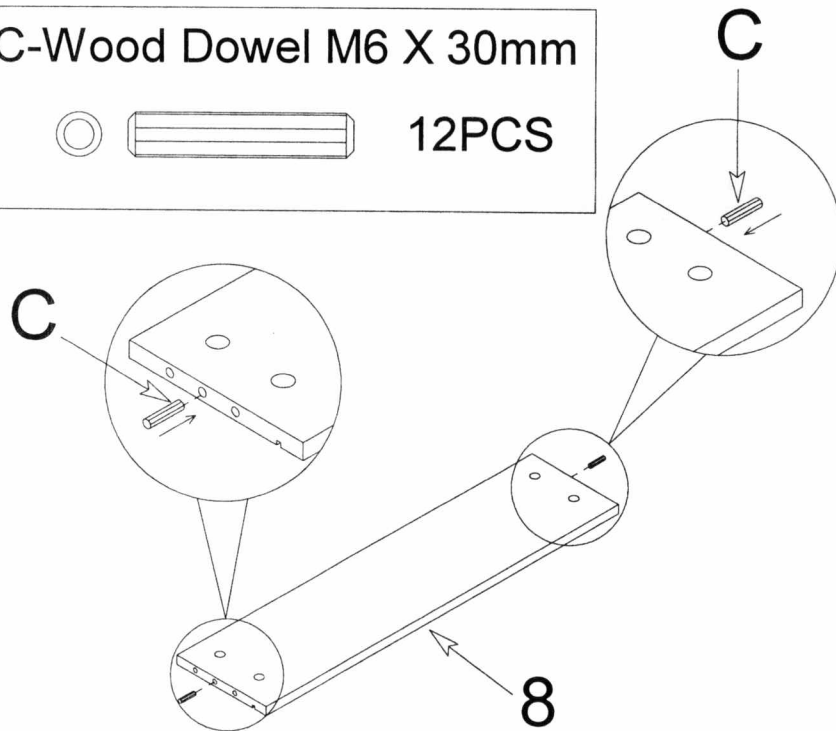
ASSEMBLY INSTRUCTION

STEP 3.

6X Drawer

C-Wood Dowel M6 X 30mm

 12PCS

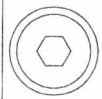


Pre-Assembly
Insert wood dowel in predrilled hole.

STEP 4.

6X Drawer

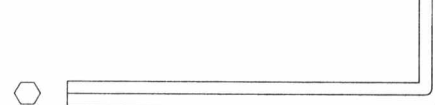
D-JCBC Bolt M6 X 50mm

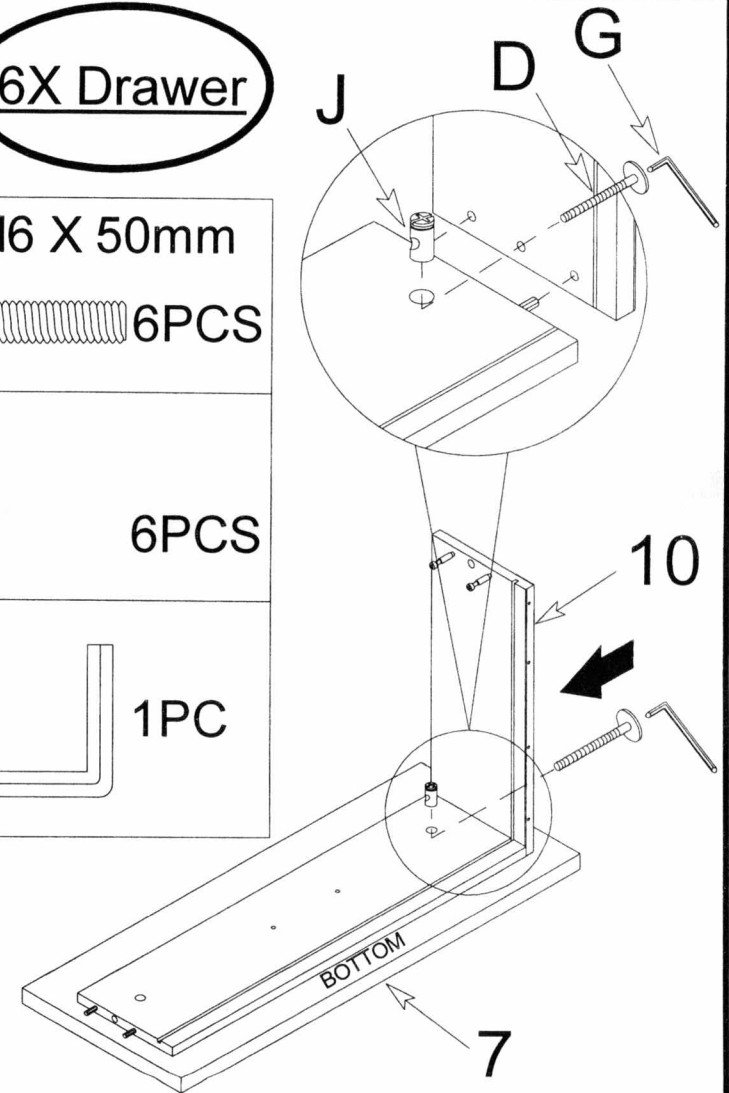
 6PCS

J-Barrel Nut

 6PCS

G-Allen Key

 1PC



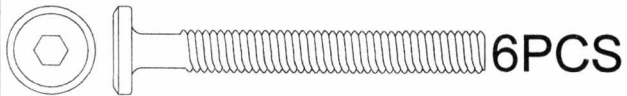
Tighten fully. (Do not over tighten).

ASSEMBLY INSTRUCTION

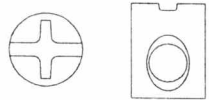
STEP 5.

6X Drawer

D-JCBC Bolt M6 X 50mm

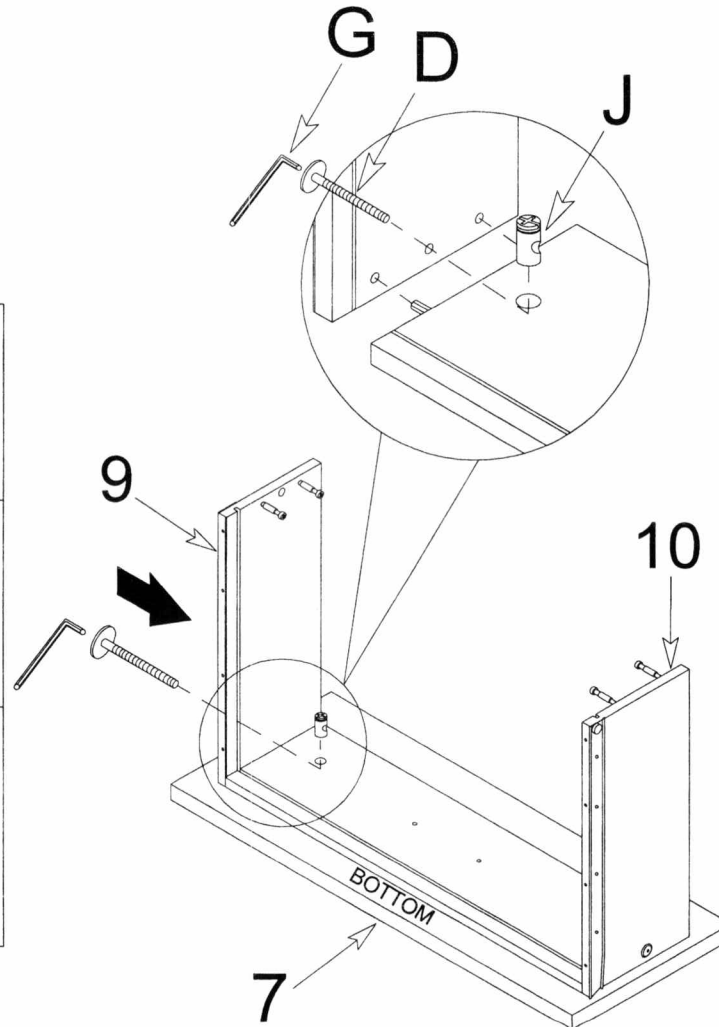
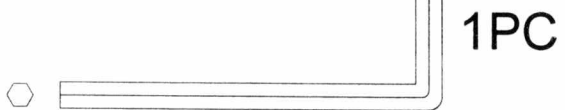


J-Barrel Nut



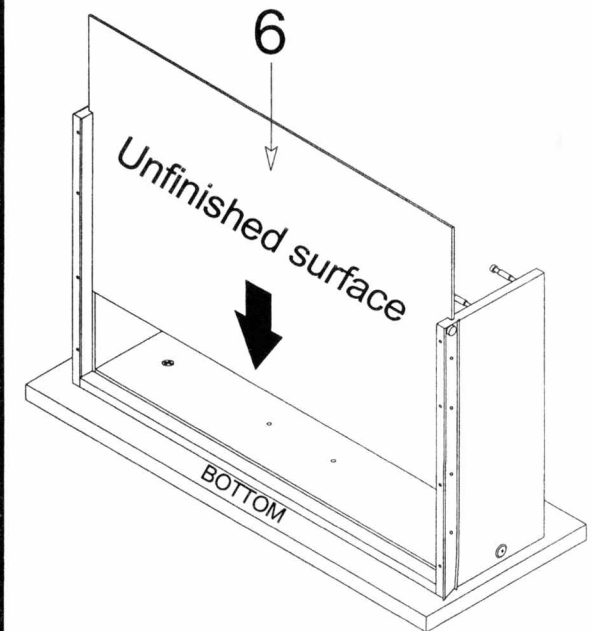
6PCS

G-Allen Key



STEP 6.

6X Drawer

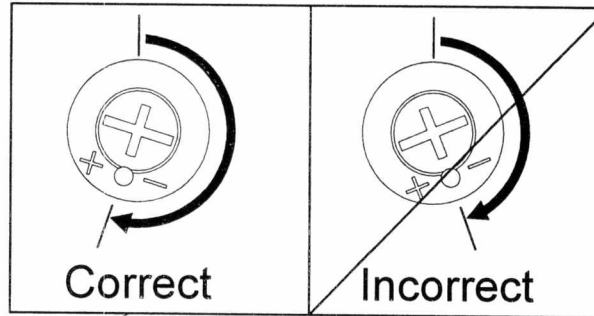


Tighten fully. (Do not over tighten).

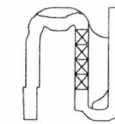
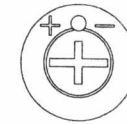
ASSEMBLY INSTRUCTION

STEP 7.

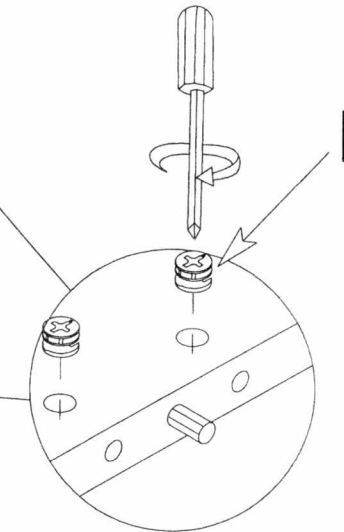
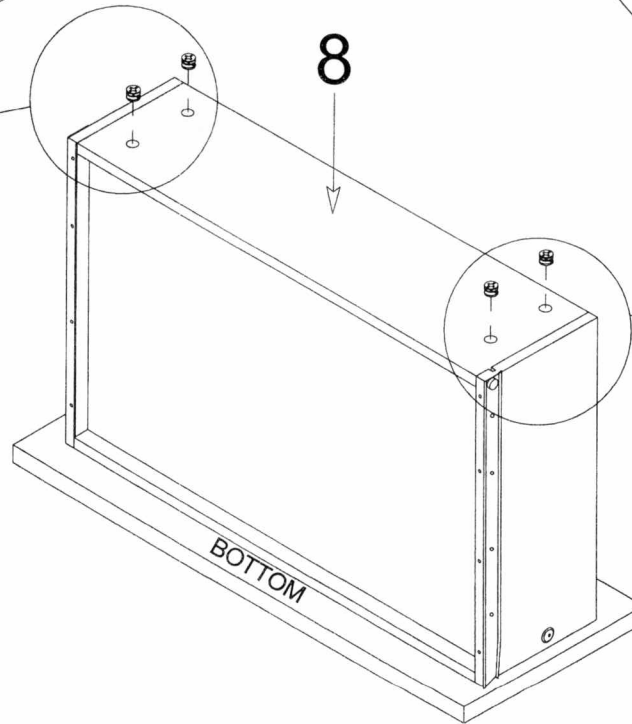
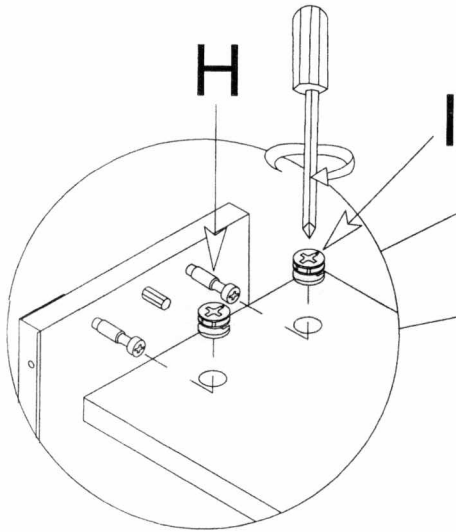
Tighten fully. (Do not over tighten).



I-Cam Lock



24PCS

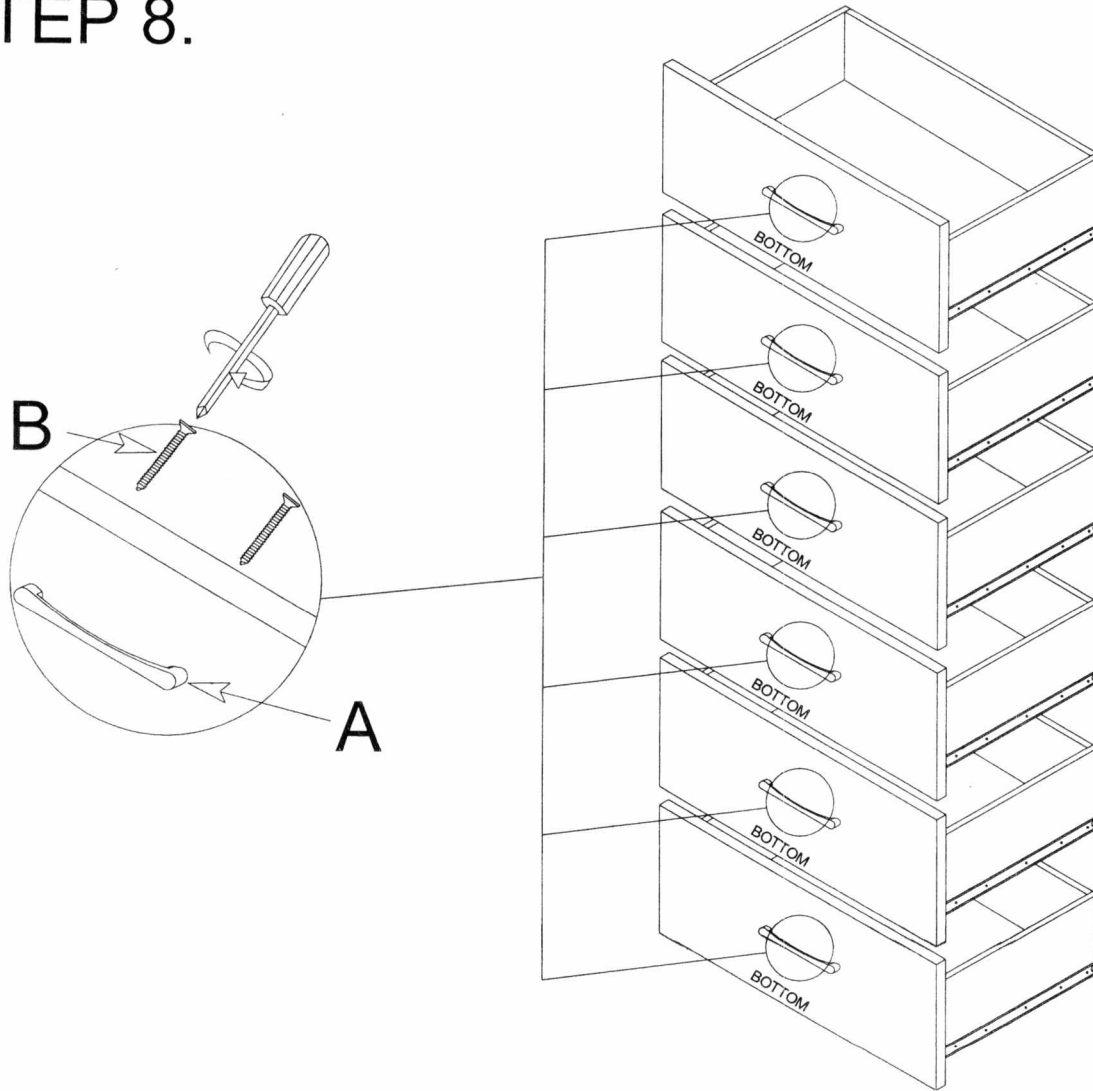


Proper orientation
of Cam Lock (I).
1/2 turn to fully lock.

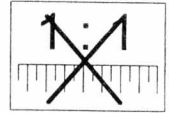
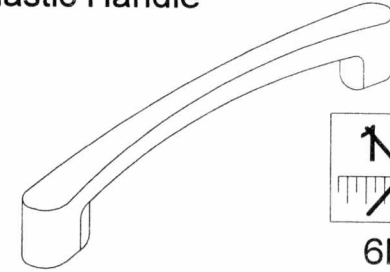
6X Drawer

ASSEMBLY INSTRUCTION

STEP 8.



A-Plastic Handle



6PCS

B-Handle Screw M4 X 40mm



12PCS

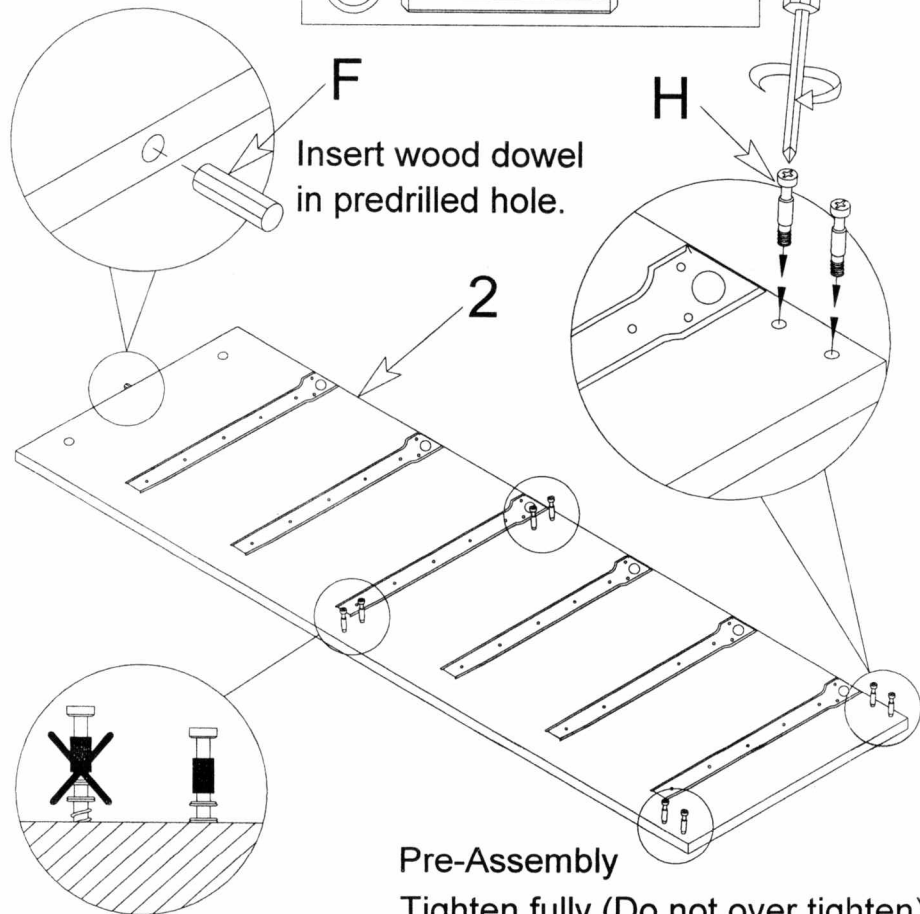
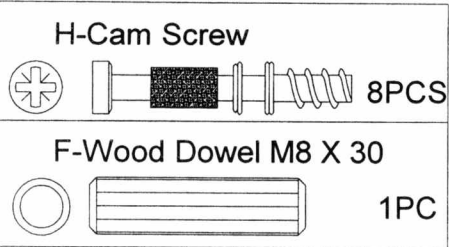
6X Drawer

Attach handle using handle screw (B).

ASSEMBLY INSTRUCTION

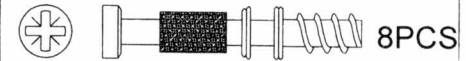
STEP 9.

Insert wood dowel in predrilled hole.

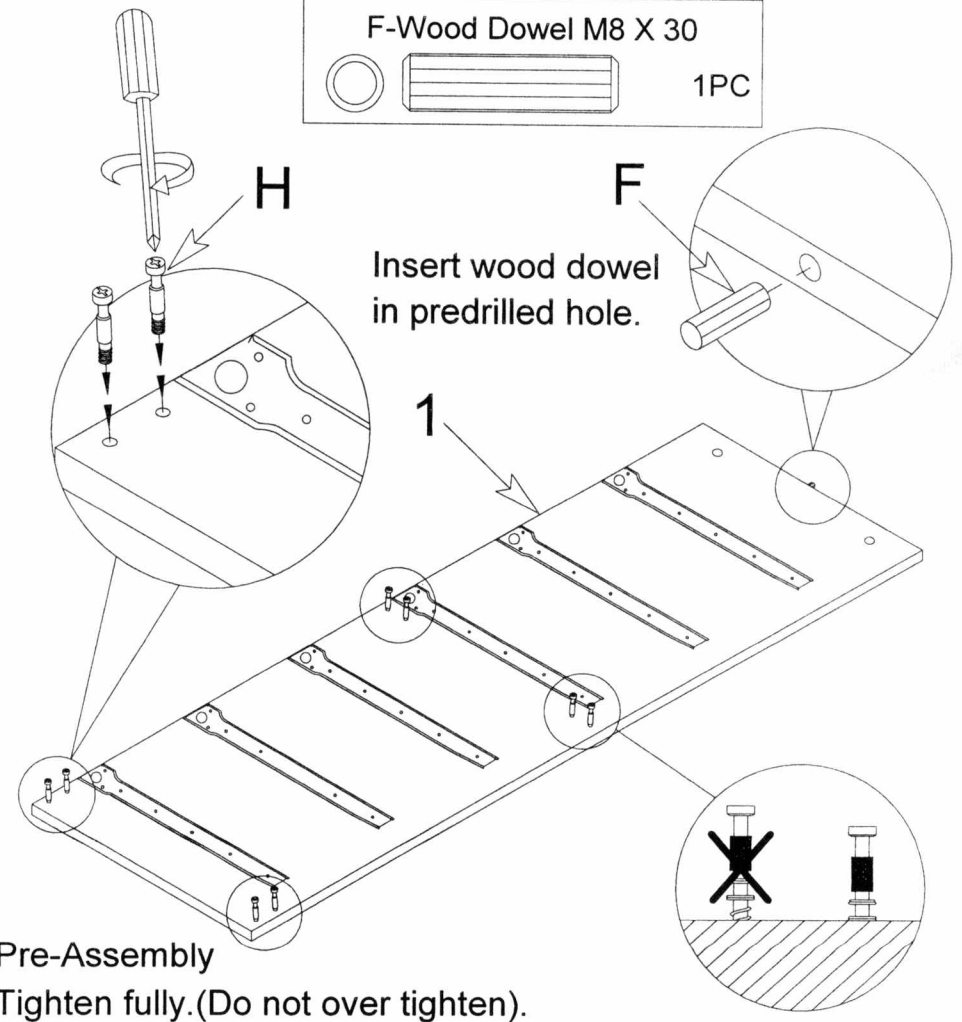
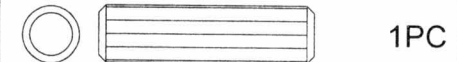


STEP 10.

H-Cam Screw

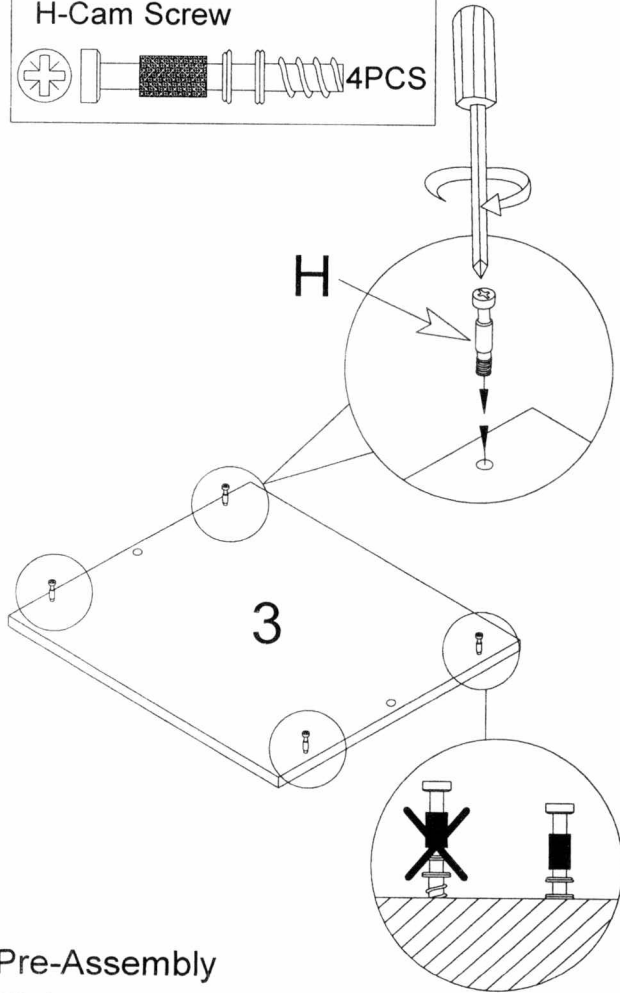
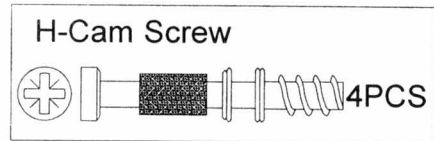


F-Wood Dowel M8 X 30



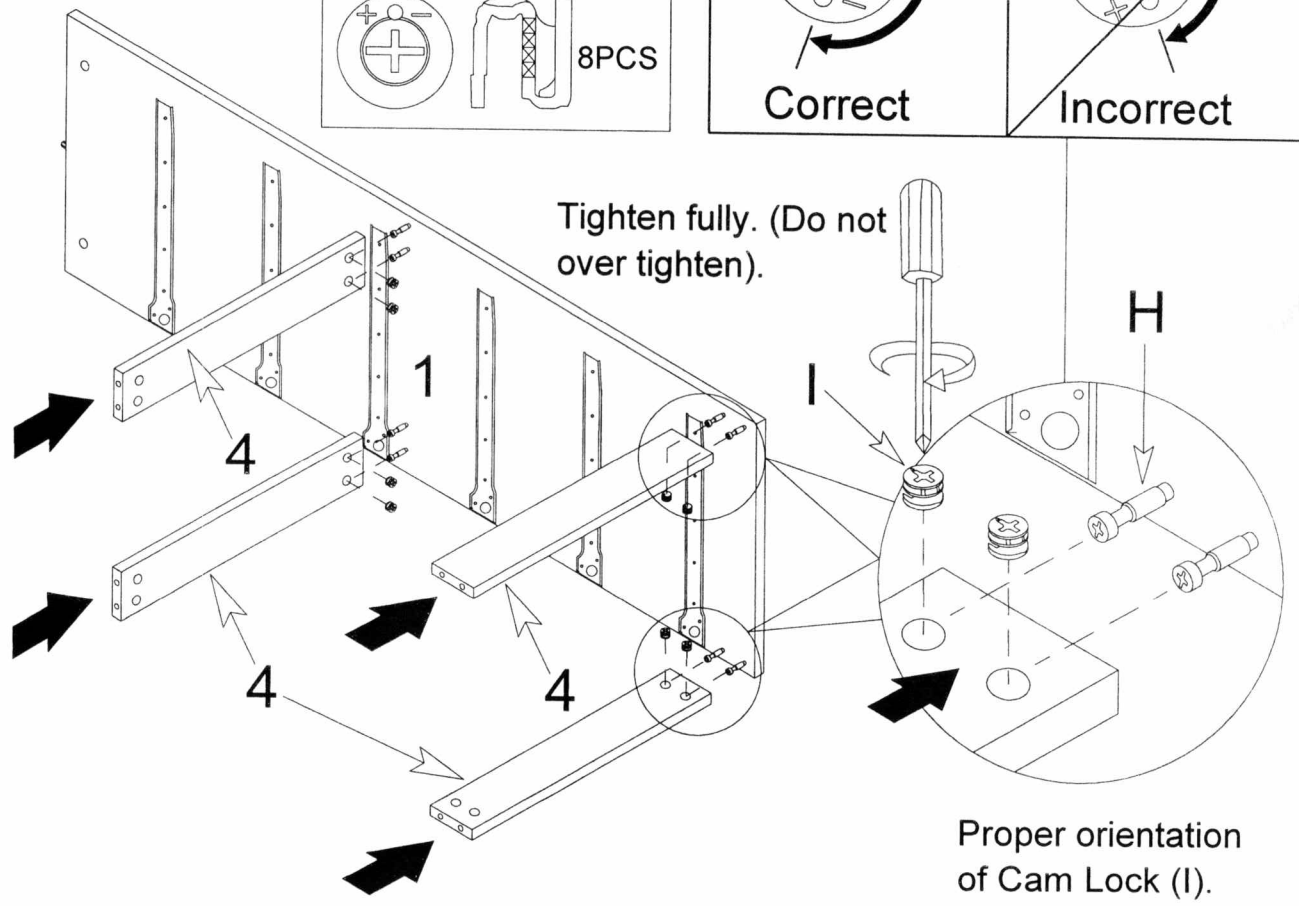
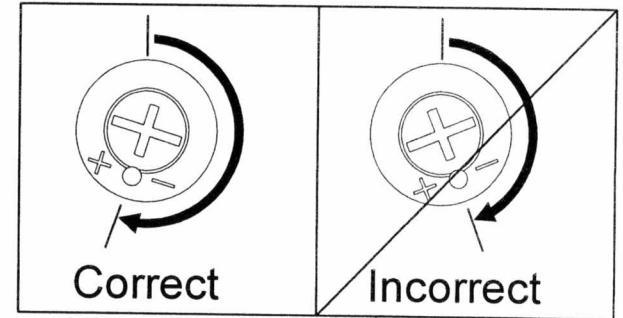
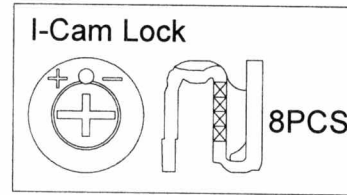
ASSEMBLY INSTRUCTION

STEP 11.



Pre-Assembly
Tighten fully. (Do not over tighten).

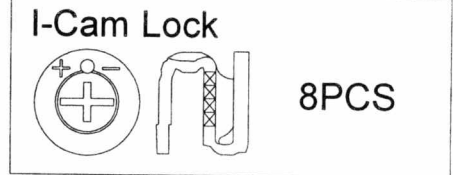
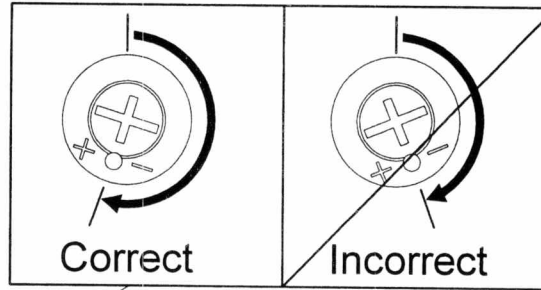
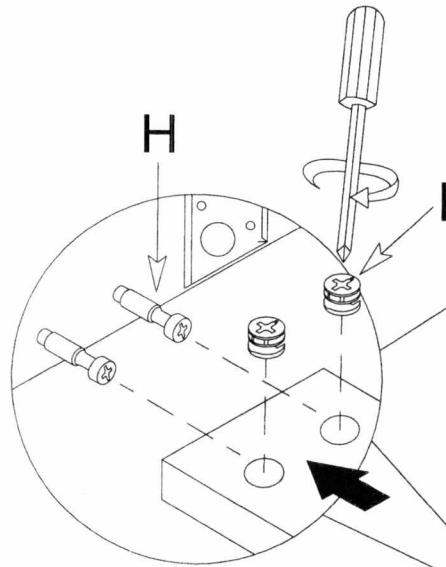
STEP 12.



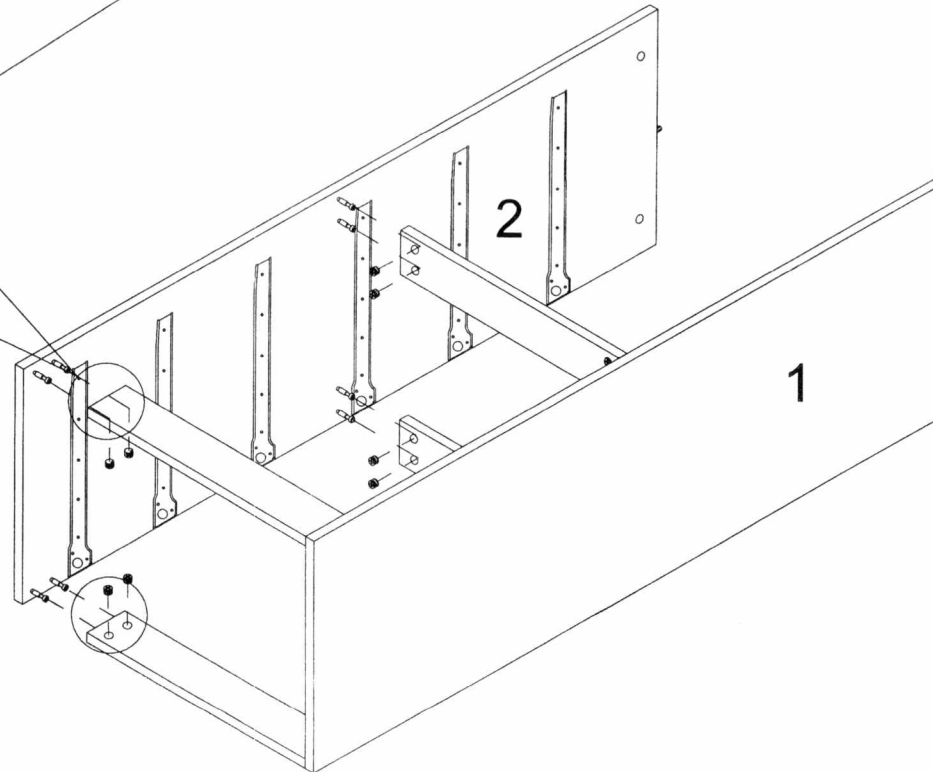
Proper orientation
of Cam Lock (I).
1/2 turn to fully lock.

ASSEMBLY INSTRUCTION

STEP 13.

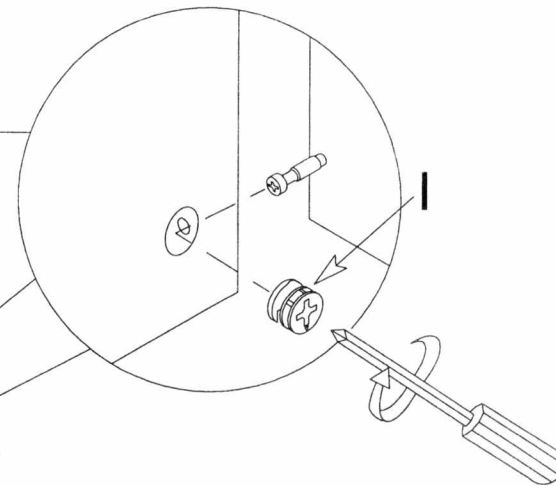
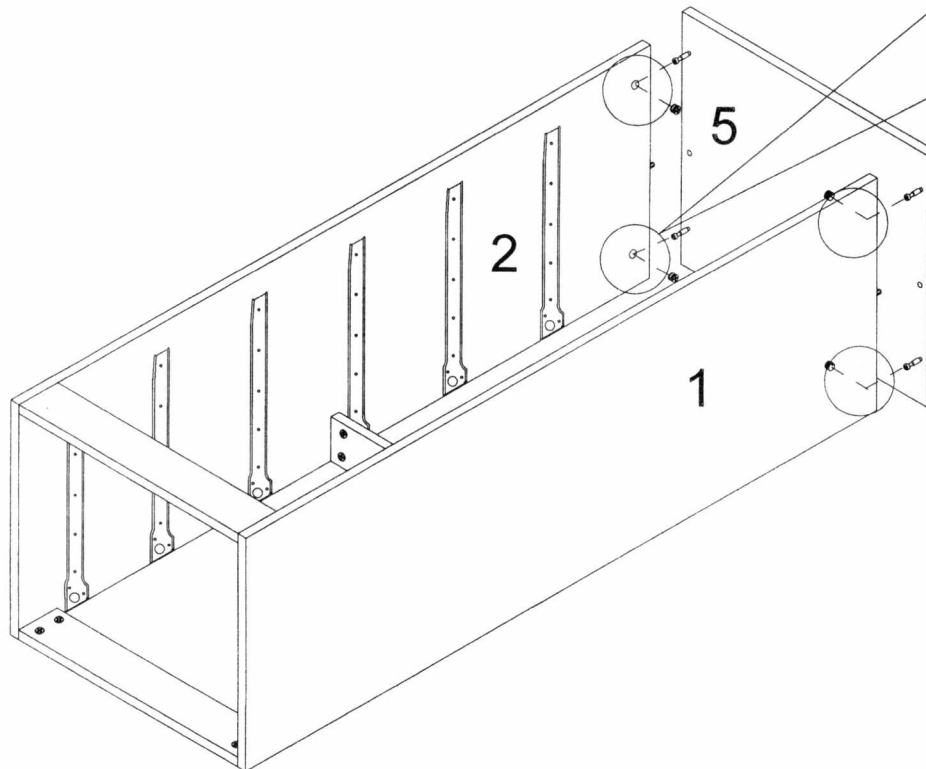
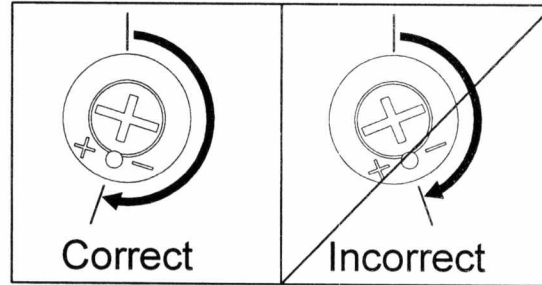
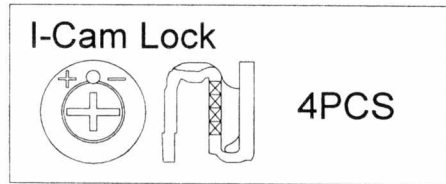


Tighten fully. (Do not over tighten).
Proper orientation of Cam Lock (I).
1/2 turn to fully lock.



ASSEMBLY INSTRUCTION


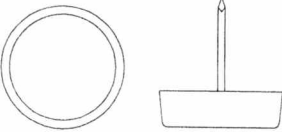
STEP 14.

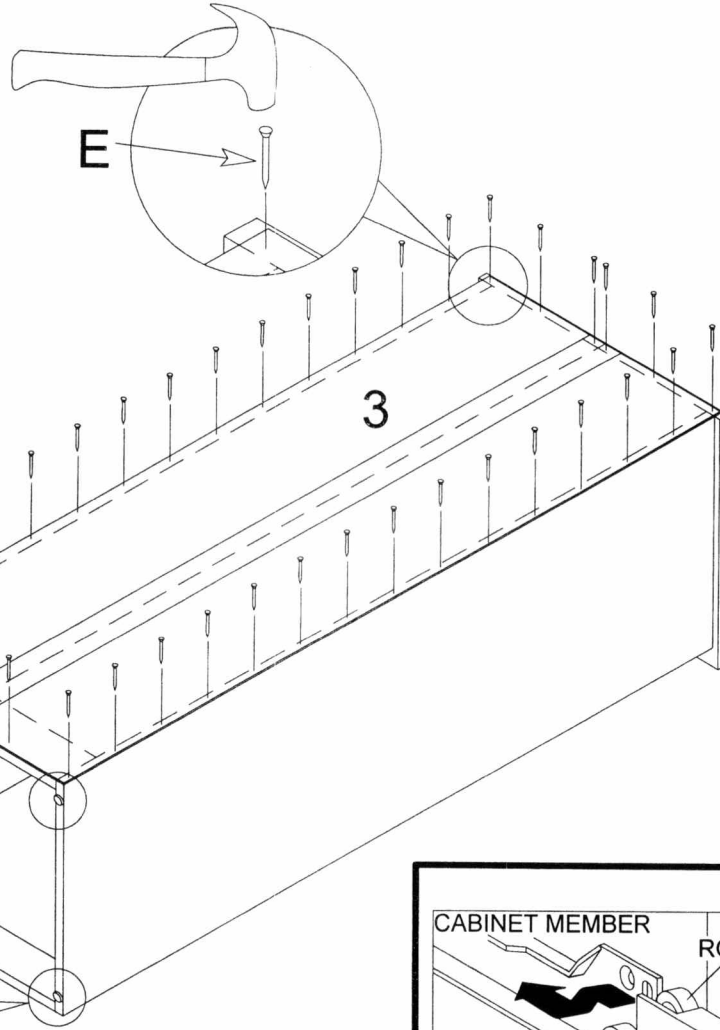


Tighten fully. (Do not over tighten).
Proper orientation of Cam Lock (I).
1/2 turn to fully lock.

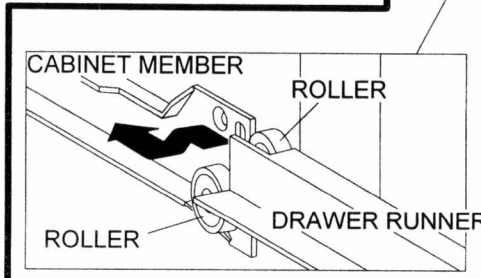
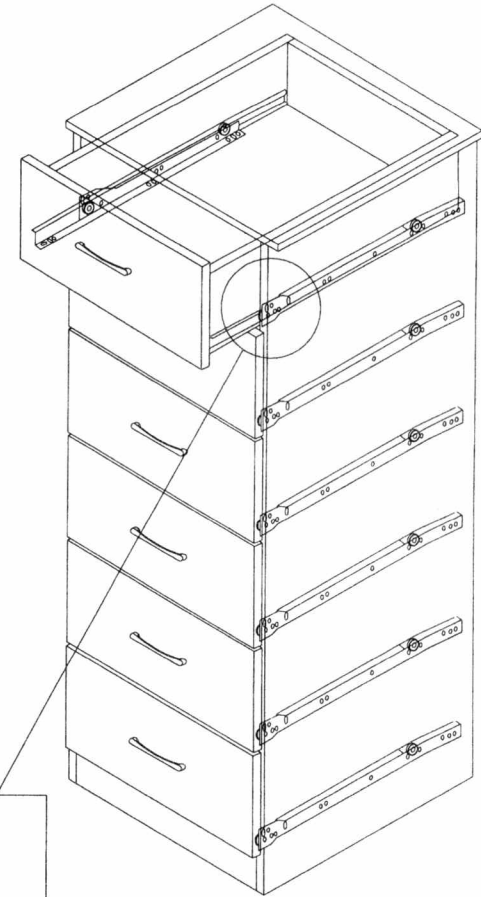
ASSEMBLY INSTRUCTION

STEP 15.

E-Nail		40PCS
		
K-Nail Leg With Pin		4PCS
		



STEP 16.



Put in drawer on the track.

ASSEMBLY INSTRUCTION

STEP 17.

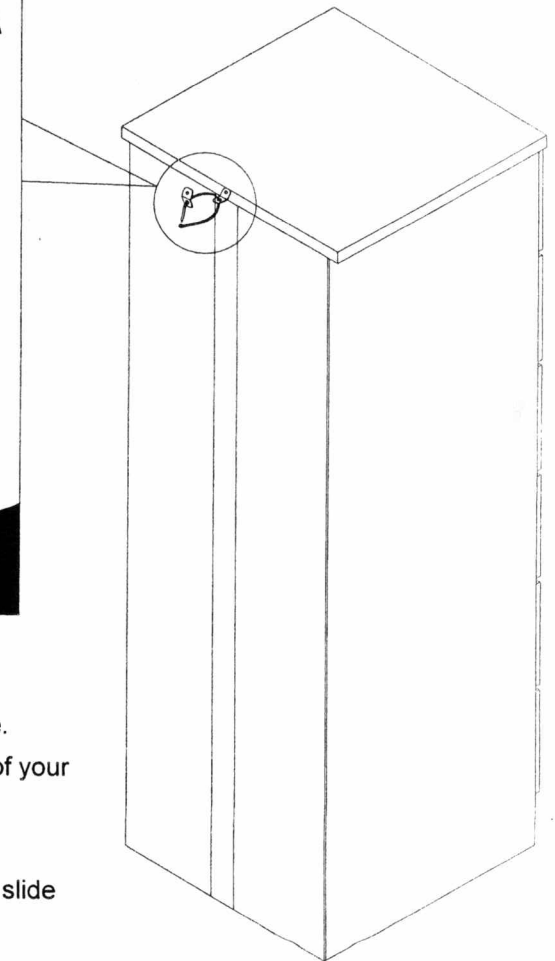
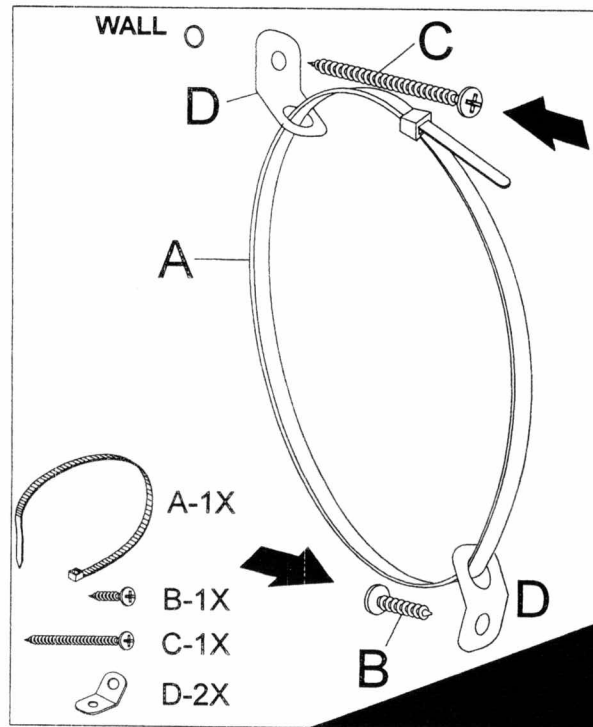
WARNING

Serious or fatal crushing injuries can occur from furniture tipover.

To prevent tipover

- Install tipover restraint provided
- Place heaviest items in the lowest drawer
- Unless specifically designed to accommodate, do not set TVs or other heavy object on the top of product
- Never allow children to climb or hang on drawer
- Never open more than over one drawer at a time

Use of tipover restraints may only reduce, but not eliminate the risk of tipover



INSTALLATION INSTRUCTION

This tip restraint must be attached to wall stud using the 50mm screw enclosed.

1. Attach a bracket securely to the back top rail of furniture using the 18mm screw provided, through the smaller hole.
2. Locate the other bracket on the wall over a wall stud and 50mm below the mounting bracket secured to the back of your unit. Attach to the wall stud using 50mm screw provided, through the smaller hole.
3. Place the furniture into position so both mounting brackets are vertically in line.
4. Lace the end of the restraint strap through the larger hole in each mounting bracket. Bring both ends together and slide the flat end through the locking end and draw it through until all slack is removed.
5. Confirm that the strap is securely laced and locked.