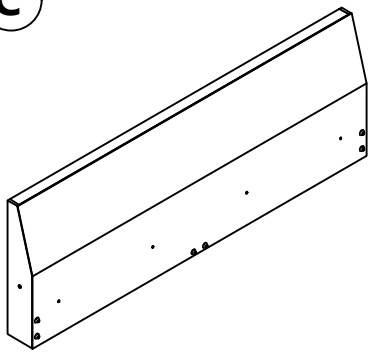


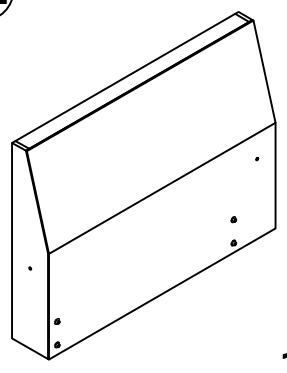
Main Structure Accessories

C



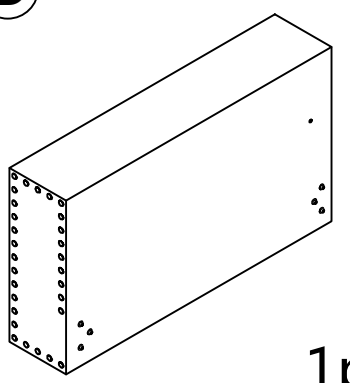
1pc

C1



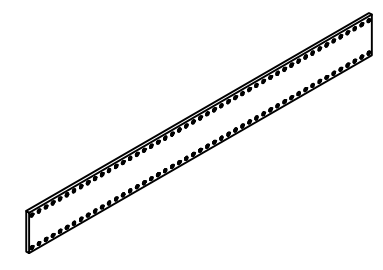
1pc

D



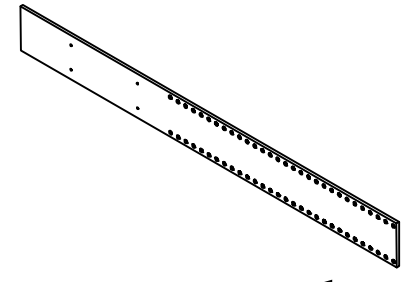
1pc

E



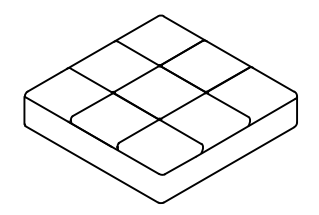
1pc

E1



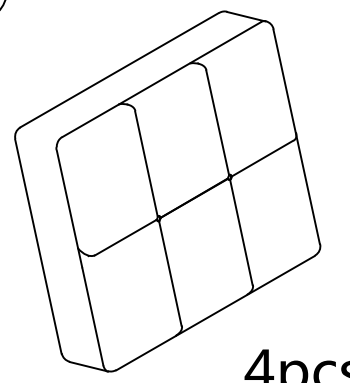
1pc

F1



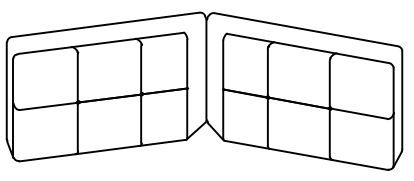
1pc

F3



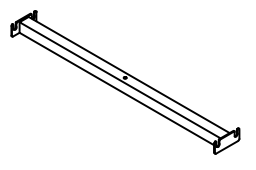
4pcs

F4



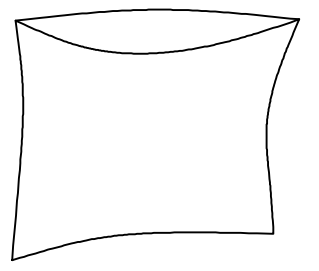
1pc

G



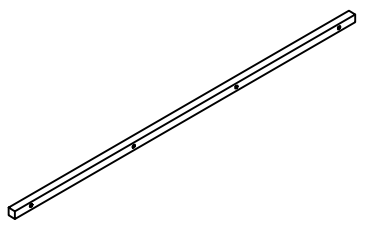
2pcs

Q



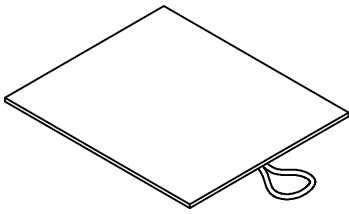
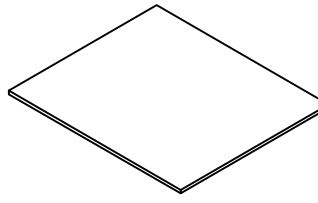
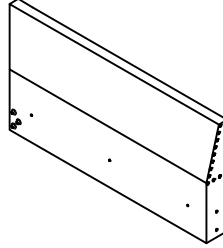
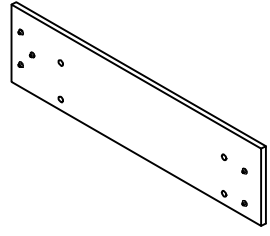
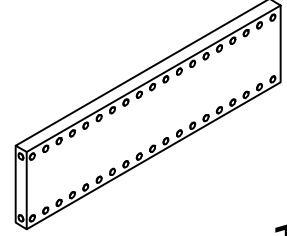
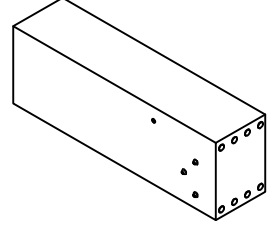
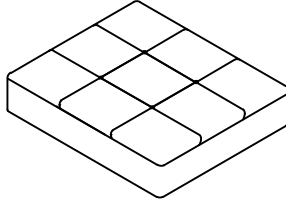
2pcs

Z

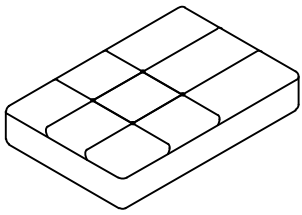


4pcs

Main Structure Accessories

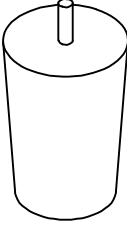
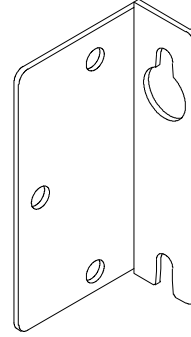
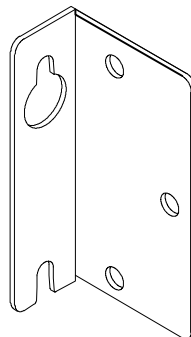
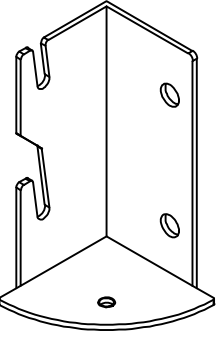
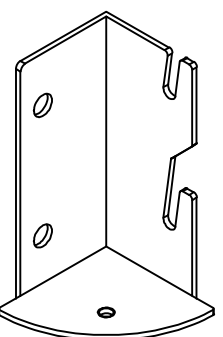
<p>(A)</p>  <p>2pcs</p>	<p>(B)</p>  <p>4pcs</p>	<p>(C2)</p>  <p>1pc</p>	<p>(E3)</p>  <p>1pc</p>	<p>(E4)</p>  <p>1pc</p>	<p>(E5)</p>  <p>1pc</p>	<p>(F)</p>  <p>4pcs</p>
--	---	--	---	---	---	---

(F2)

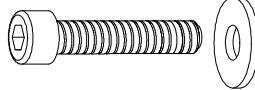
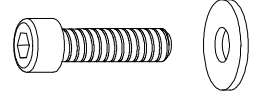
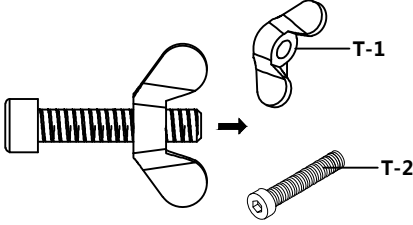
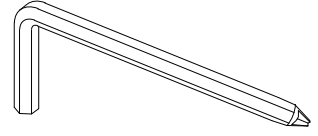


1pc

Structural Accessories

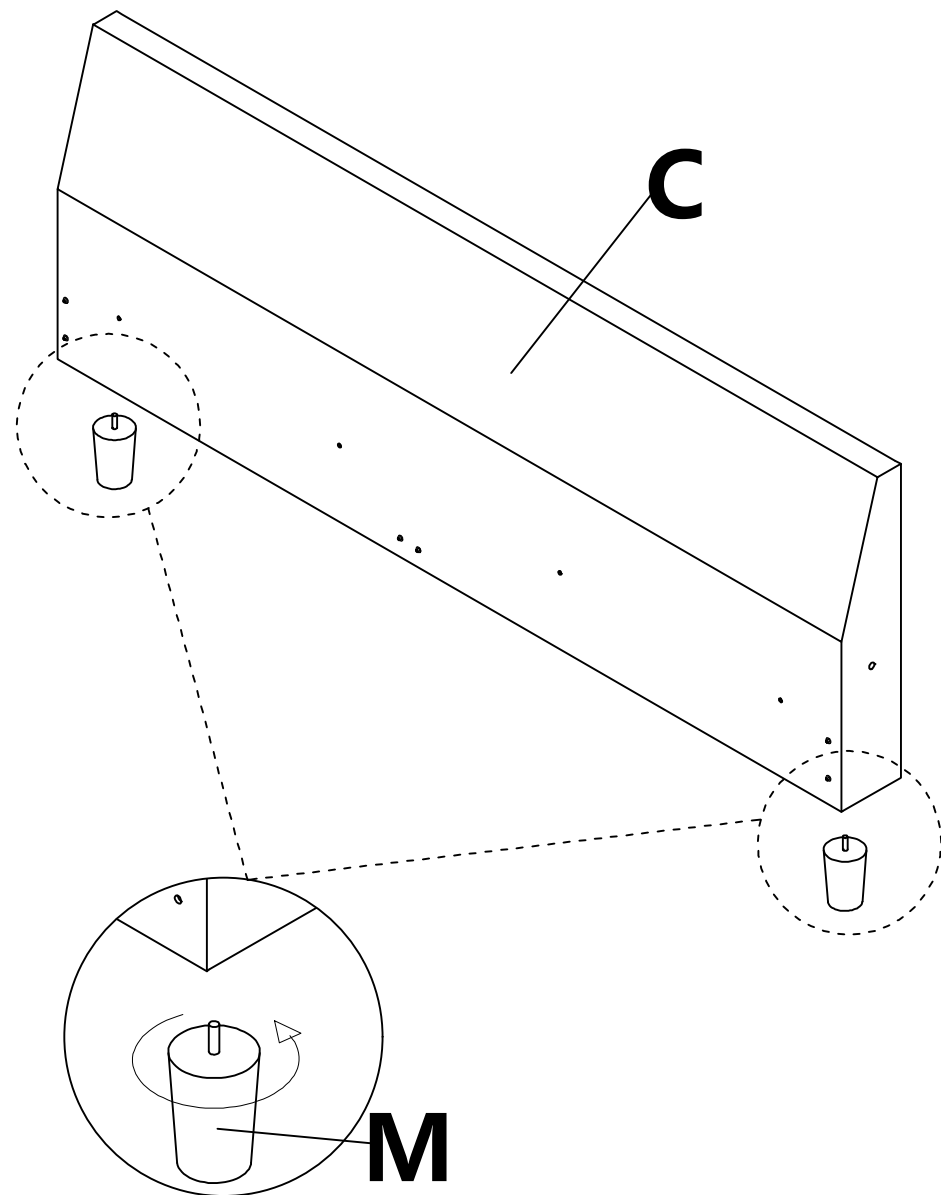
<p>(M)</p>  <p>13pcs</p>	<p>(W)</p>  <p>3pcs</p>	<p>(X)</p>  <p>3pcs</p>	<p>(W2)</p>  <p>1pc</p>	<p>(X2)</p>  <p>1pc</p>
--	---	--	---	---


Hardware Parts

<p>(N)</p>  <p>20pcs</p>	<p>(Y)</p>  <p>4pcs</p>	<p>(T)</p>  <p>1pc</p>	<p>(P)</p>  <p>1pc</p>
--	---	---	--

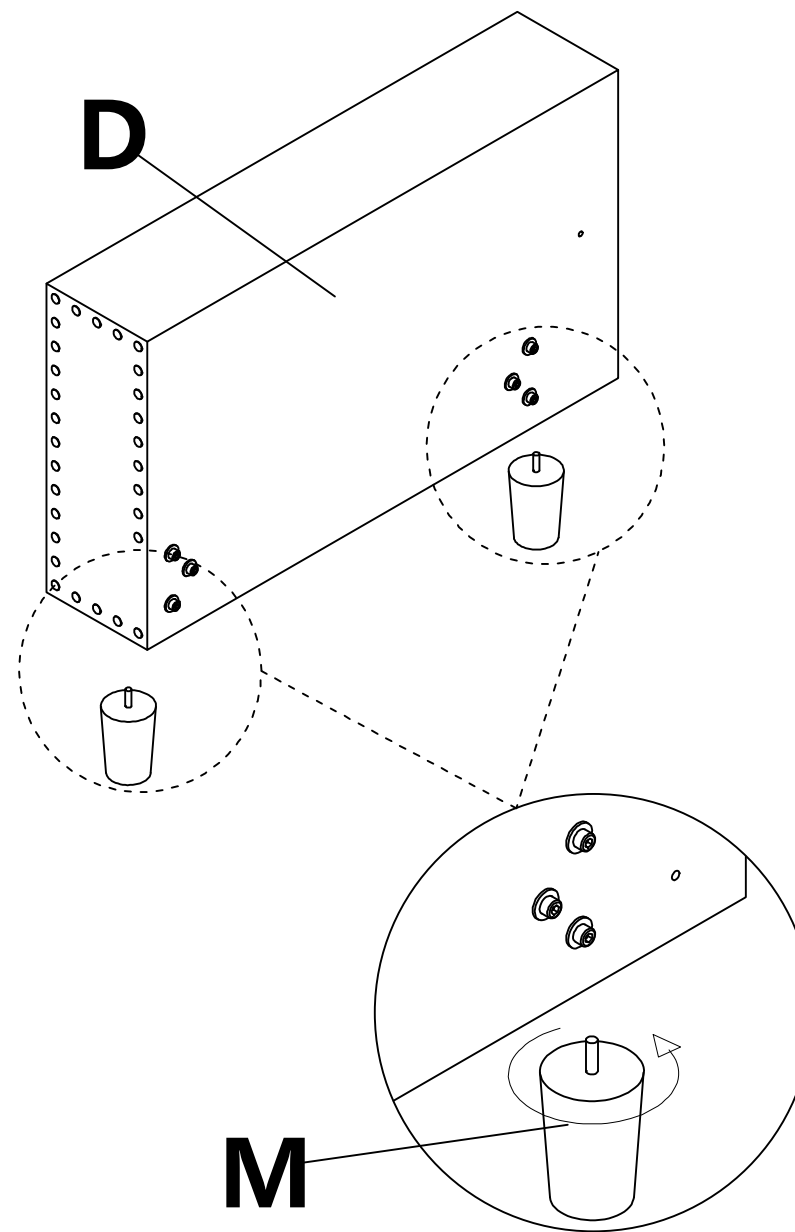
Assembly instruction


STEP 1



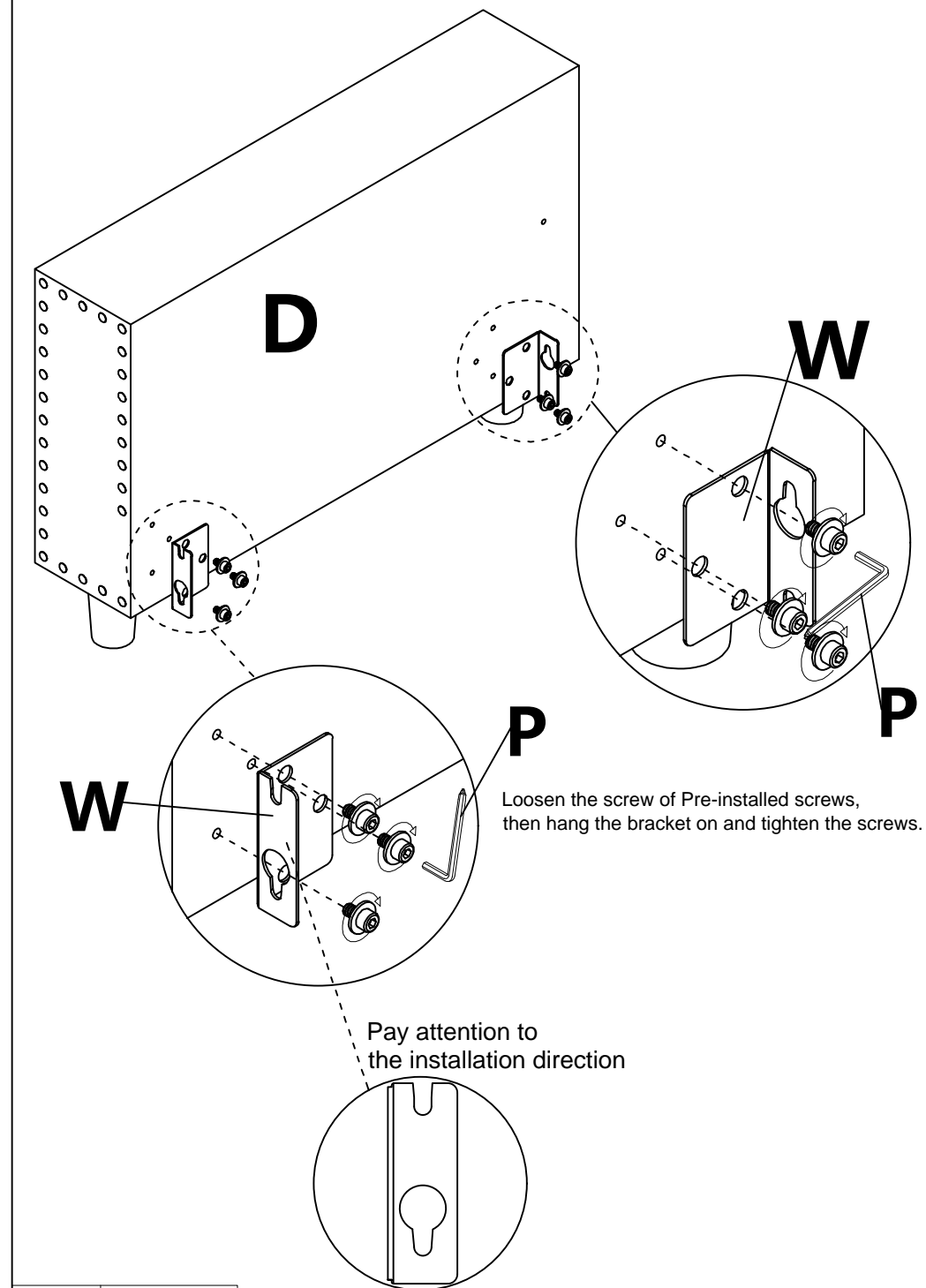
 **M * 2pcs**


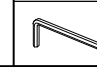
STEP 2



 **M * 2pcs**

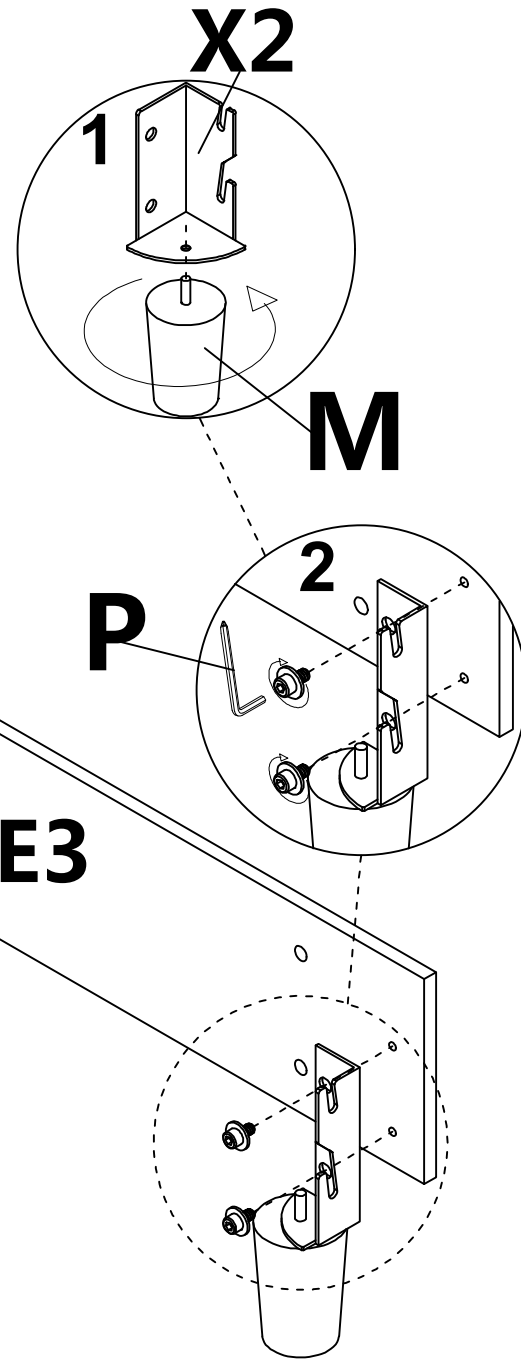
STEP 3







 **W * 2pcs**
 **P * 1pc**

Assembly instruction

STEP 4

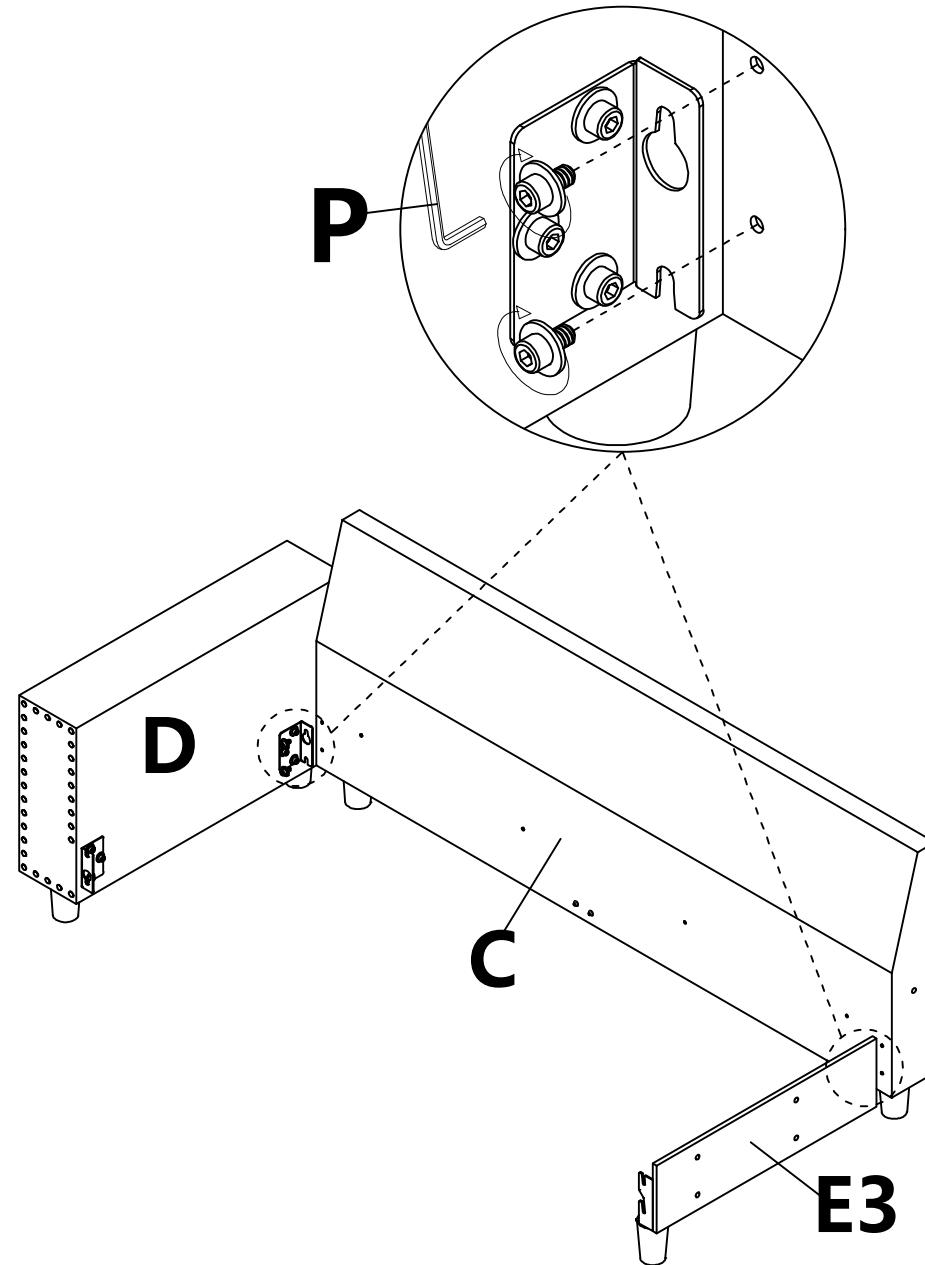



Loosen the screw of Pre-installed screws, then hang the bracket on and tighten the screws.

	M * 1pc
	X2 * 1pc
	X * 1pc
	P * 1pc

STEP 5

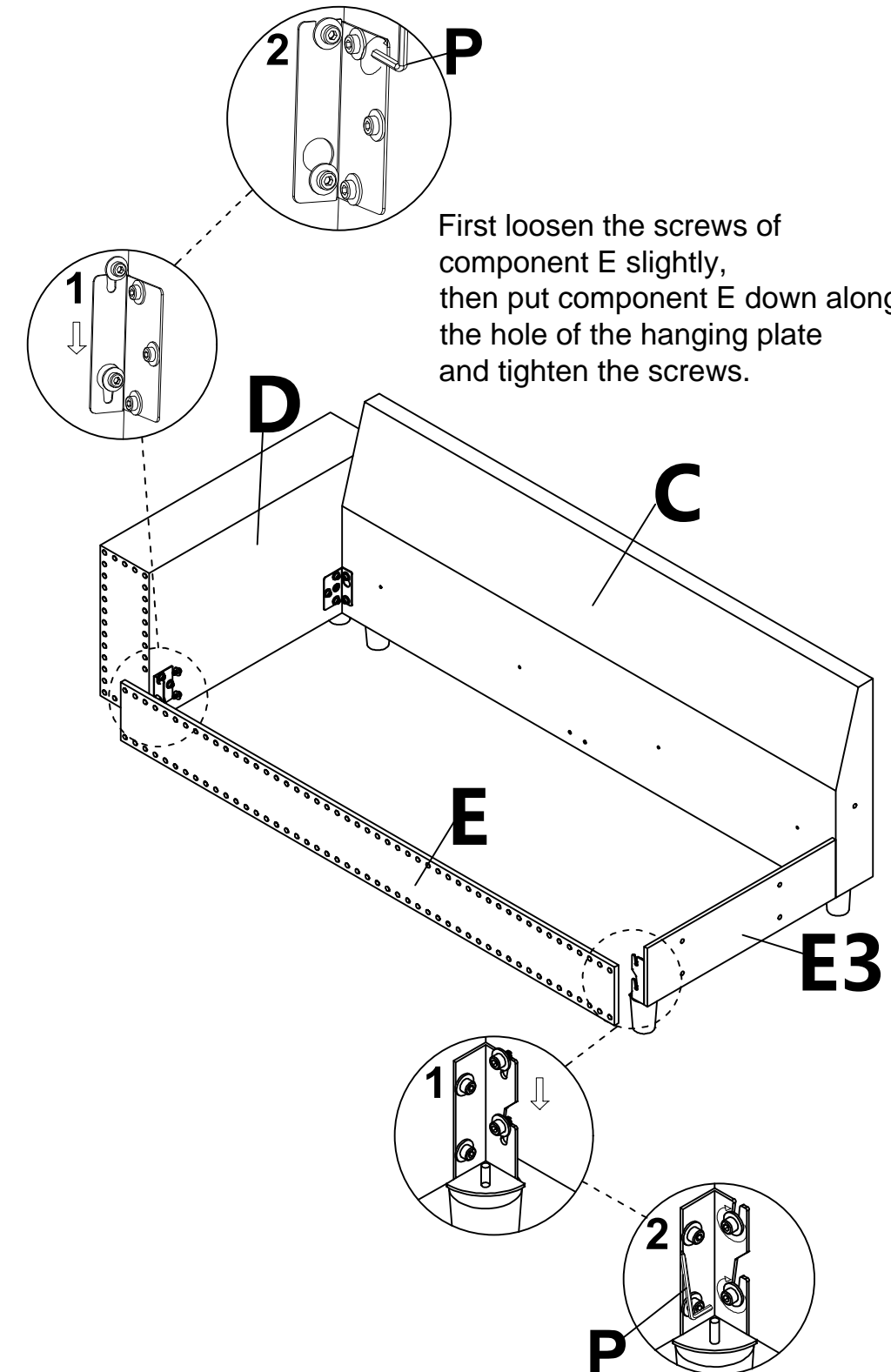
Loosen the screw of Pre-installed screws, then hang the bracket on and tighten the screws.




	P * 1pc
---	---------

STEP 6

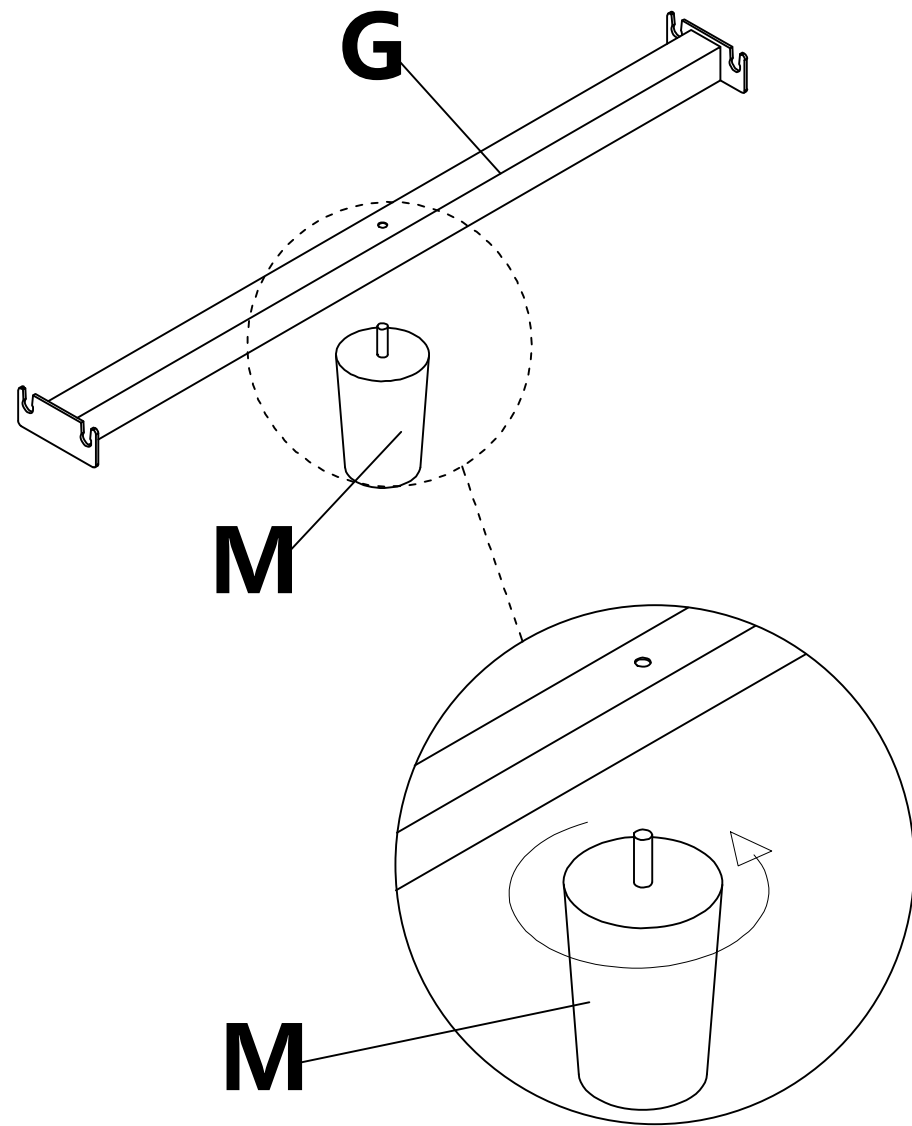
First loosen the screws of component E slightly, then put component E down along the hole of the hanging plate and tighten the screws.



	P * 1pc
---	---------

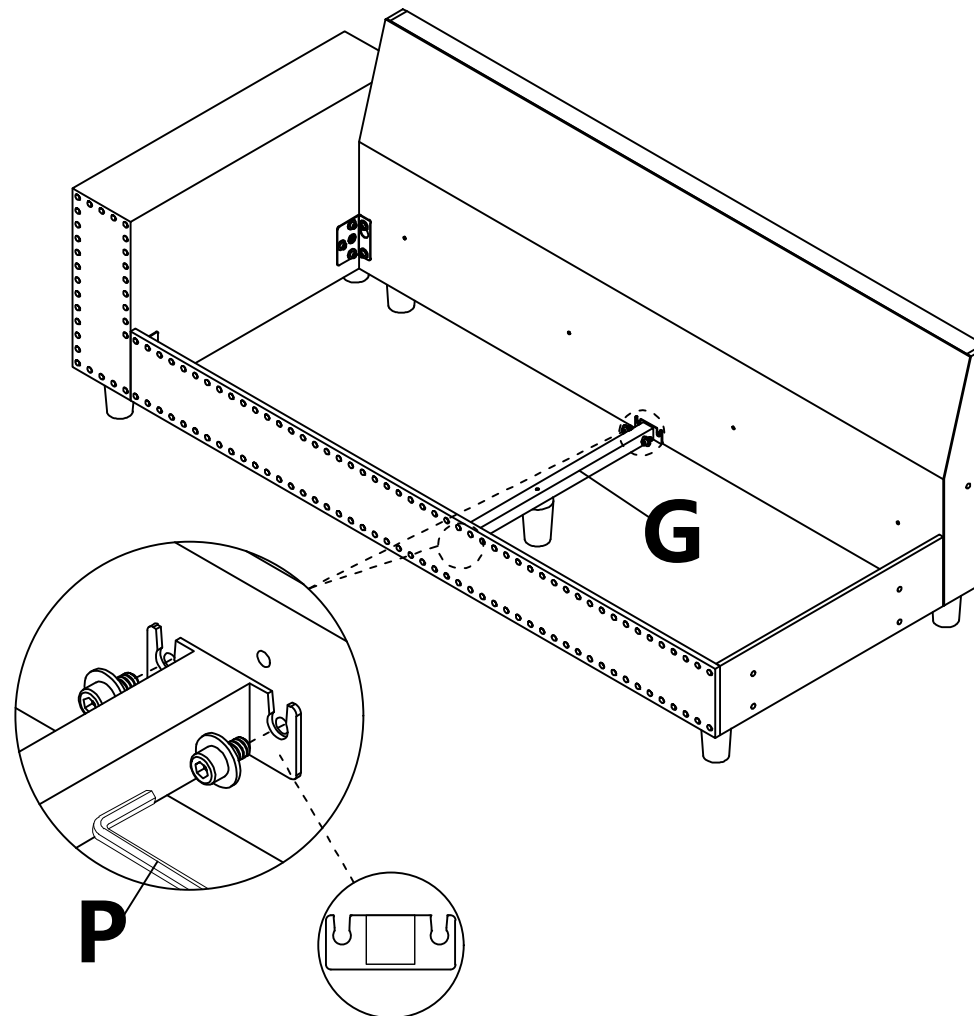
Assembly instruction

STEP 7



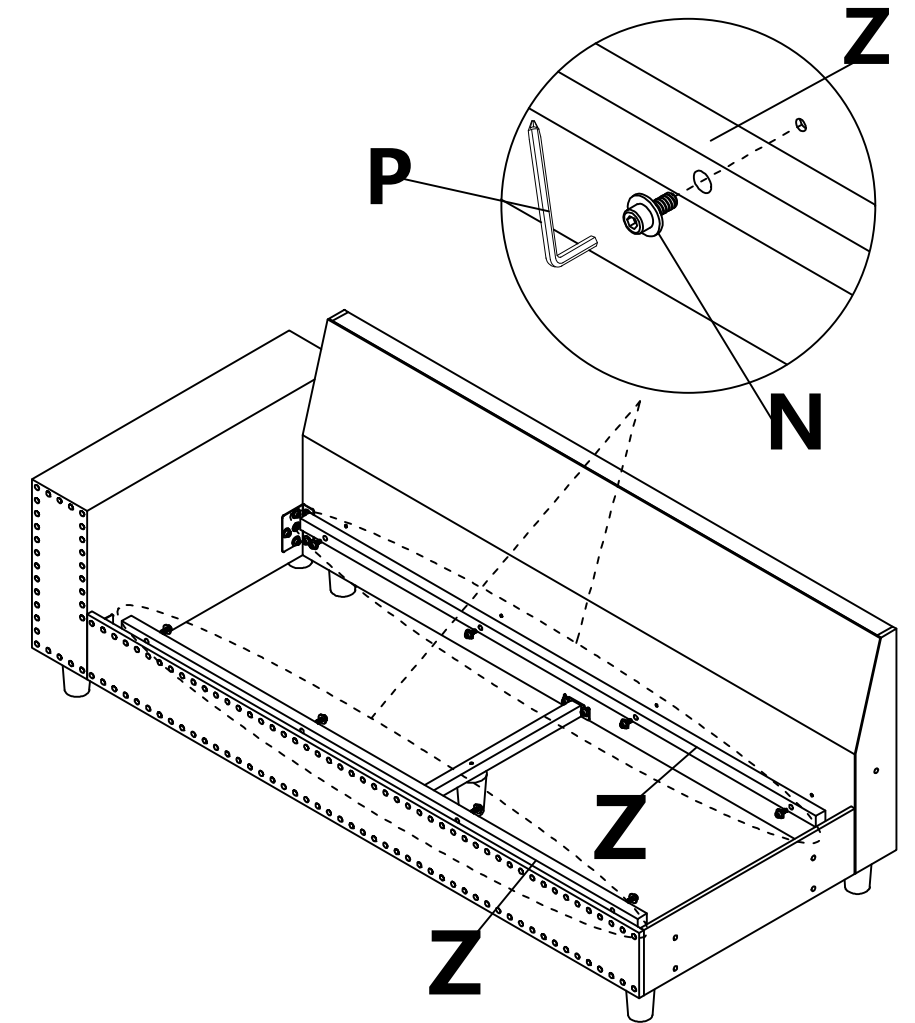
STEP 8




Loosen the screw of Pre-installed screws, then hang the bracket on and tighten the screws.





Pay attention to the installation direction

STEP 9



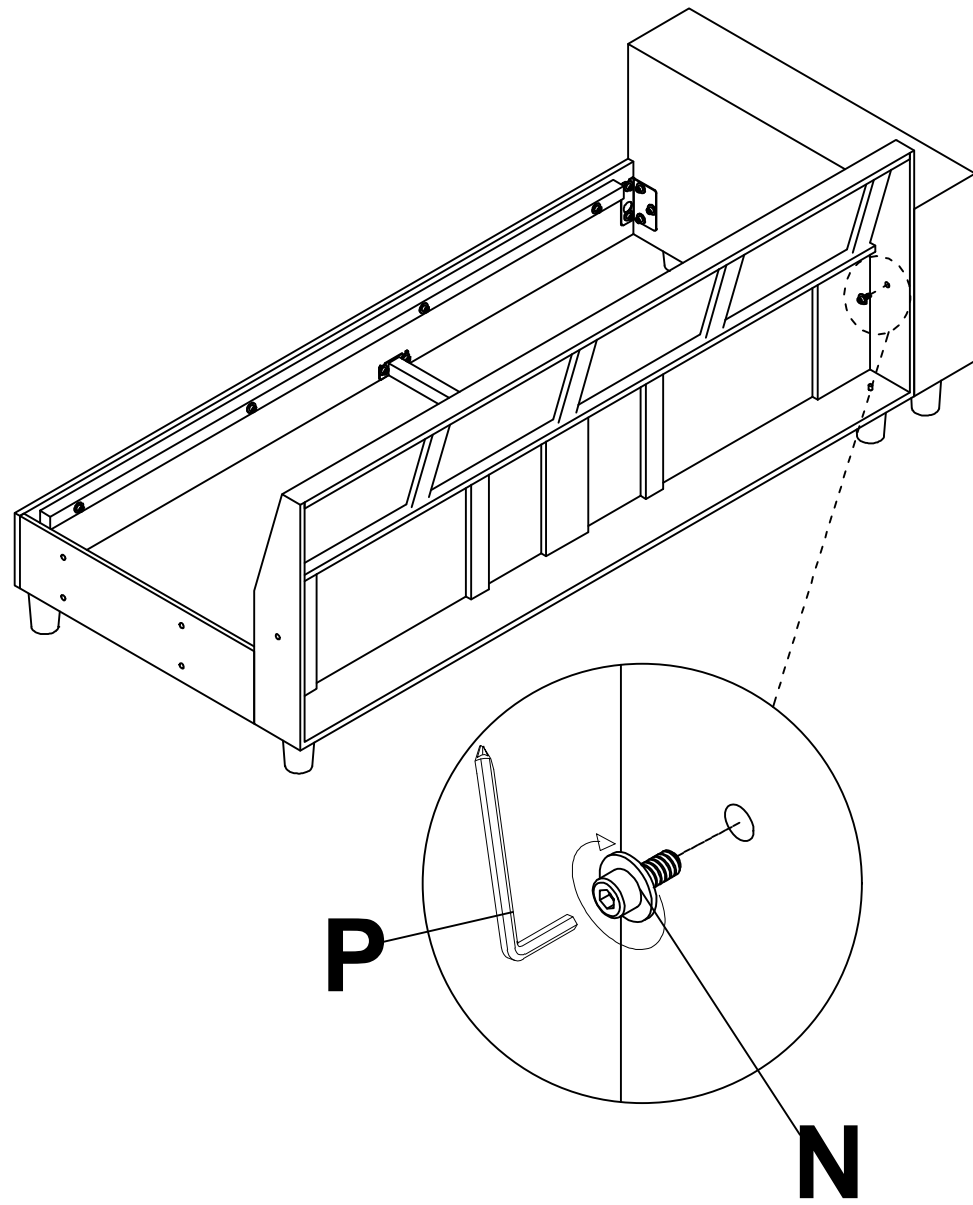
	Z * 2pcs
	N * 8pcs
	P * 1pc



	P * 1pc
---	---------

	G * 1pc
	M * 1pc

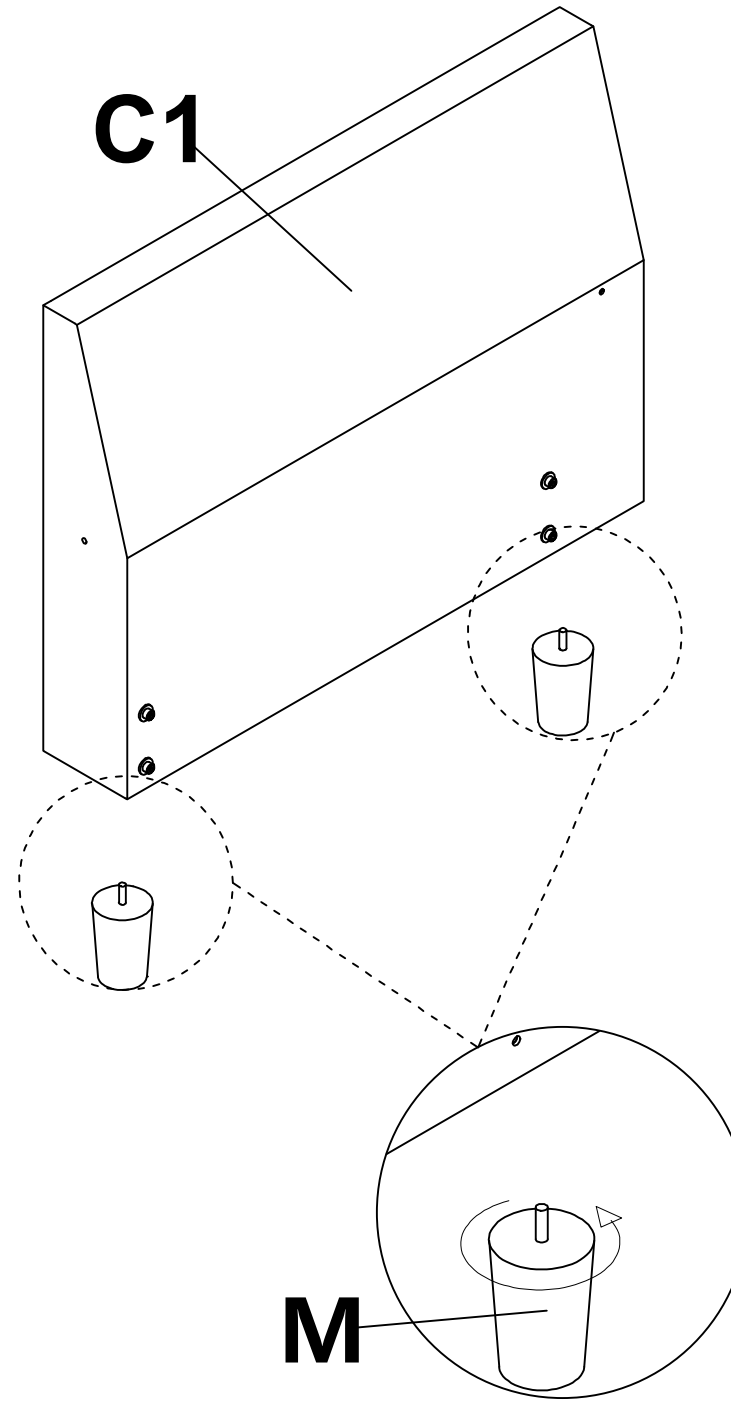
Assembly instruction


STEP 10



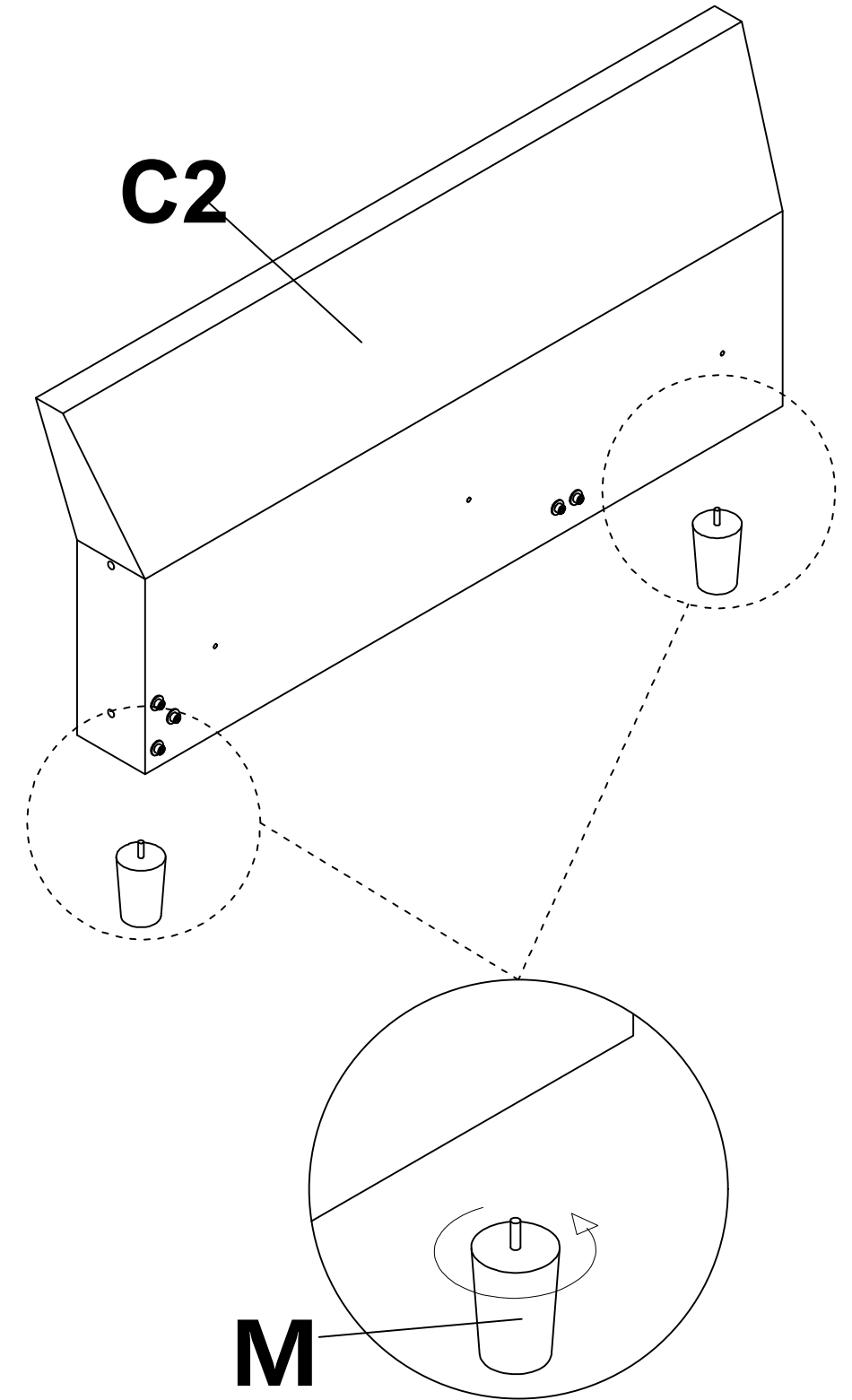
	N * 1pc
	P * 1pc


STEP 11



	M * 2pcs
---	----------

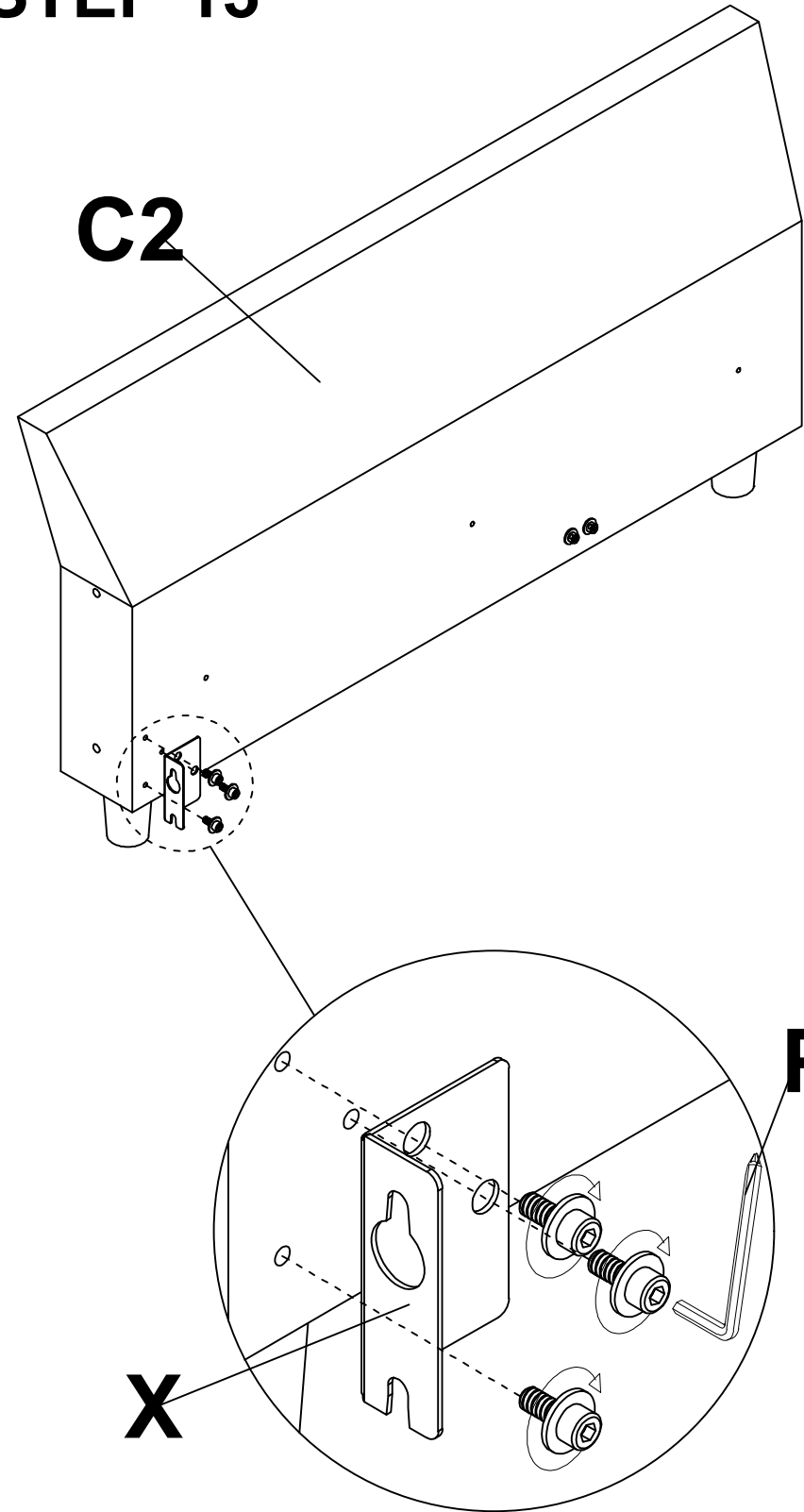
STEP 12



	M * 2pcs
---	----------

Assembly instruction

STEP 13

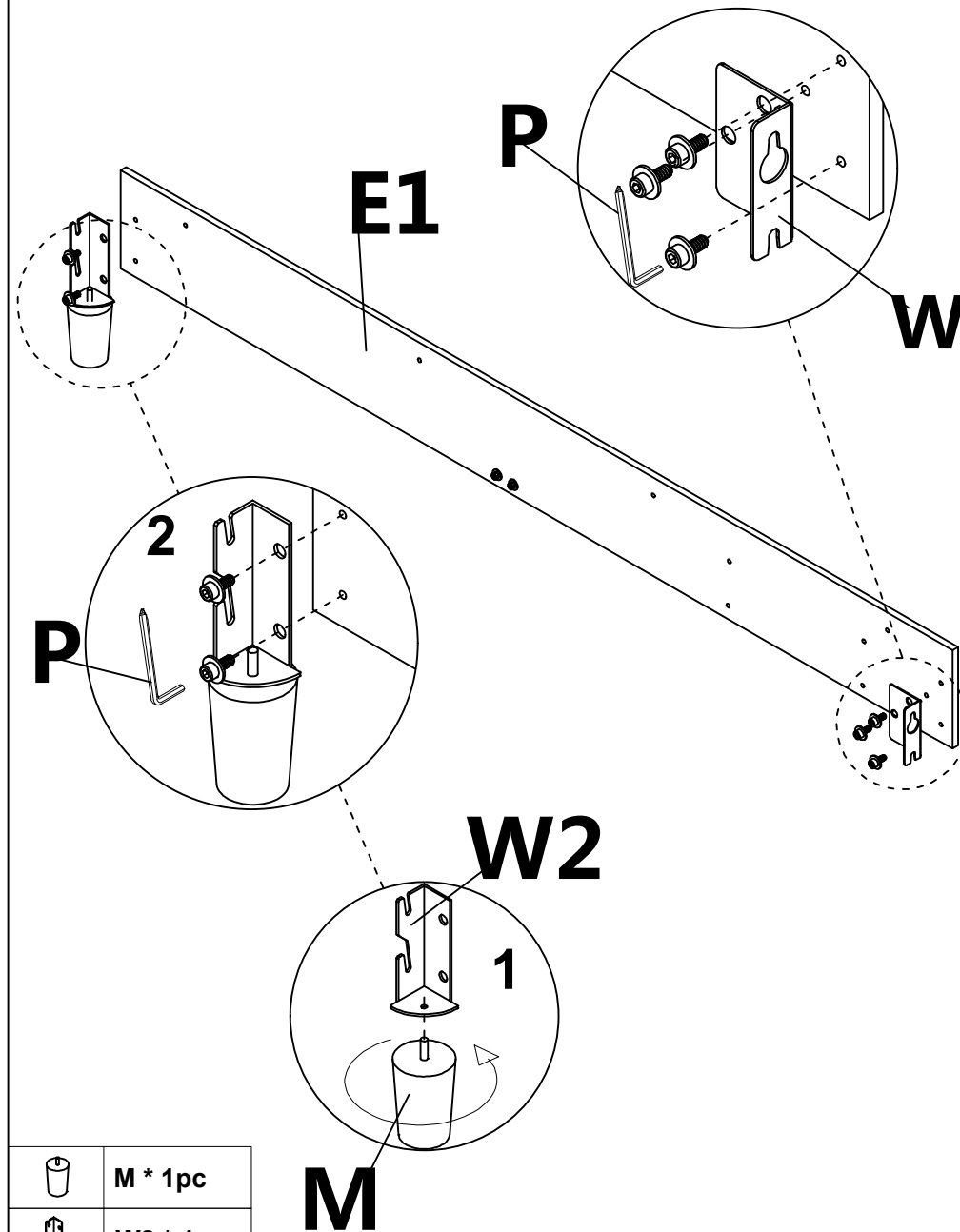


Loosen the screw of Pre-installed screws,
then hang the bracket on and tighten the screws.

	X * 1pc
	P * 1pc

STEP 14

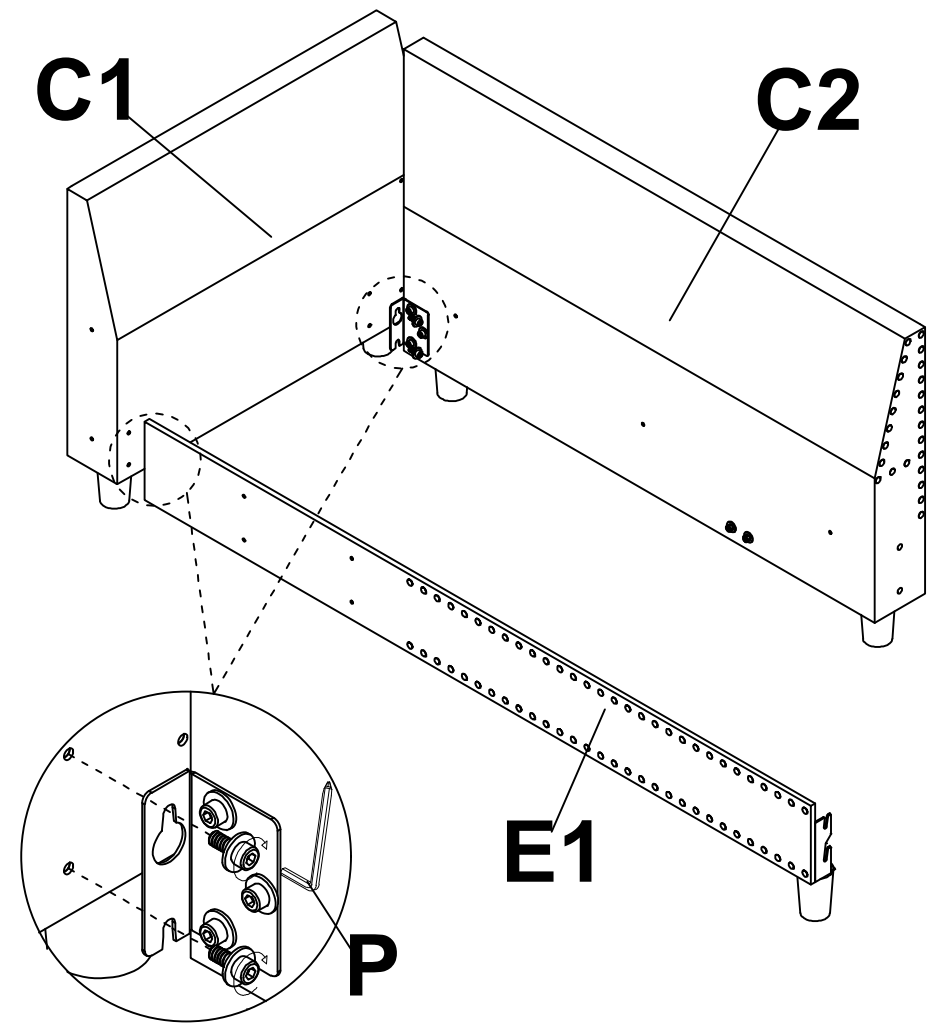
Loosen the screw of Pre-installed screws,
then hang the bracket on and tighten the screws.



	M * 1pc
	W2 * 1pc
	W * 1pc
	P * 1pc

STEP 15

The installation method is the same



Loosen the screw of Pre-installed screws,
then hang the bracket on and tighten the screws.

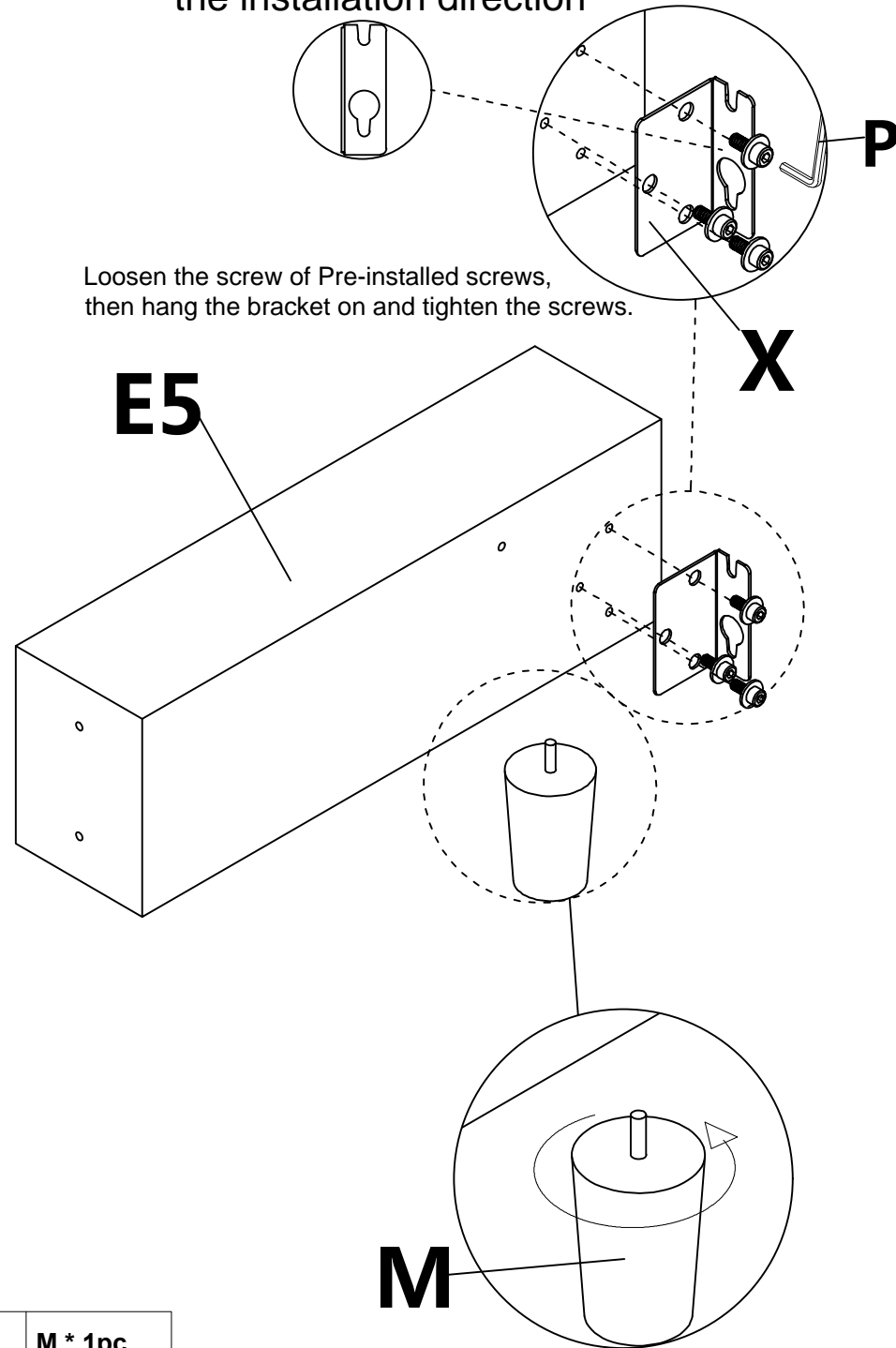
	P * 1pc
--	---------

Assembly instruction

STEP 16

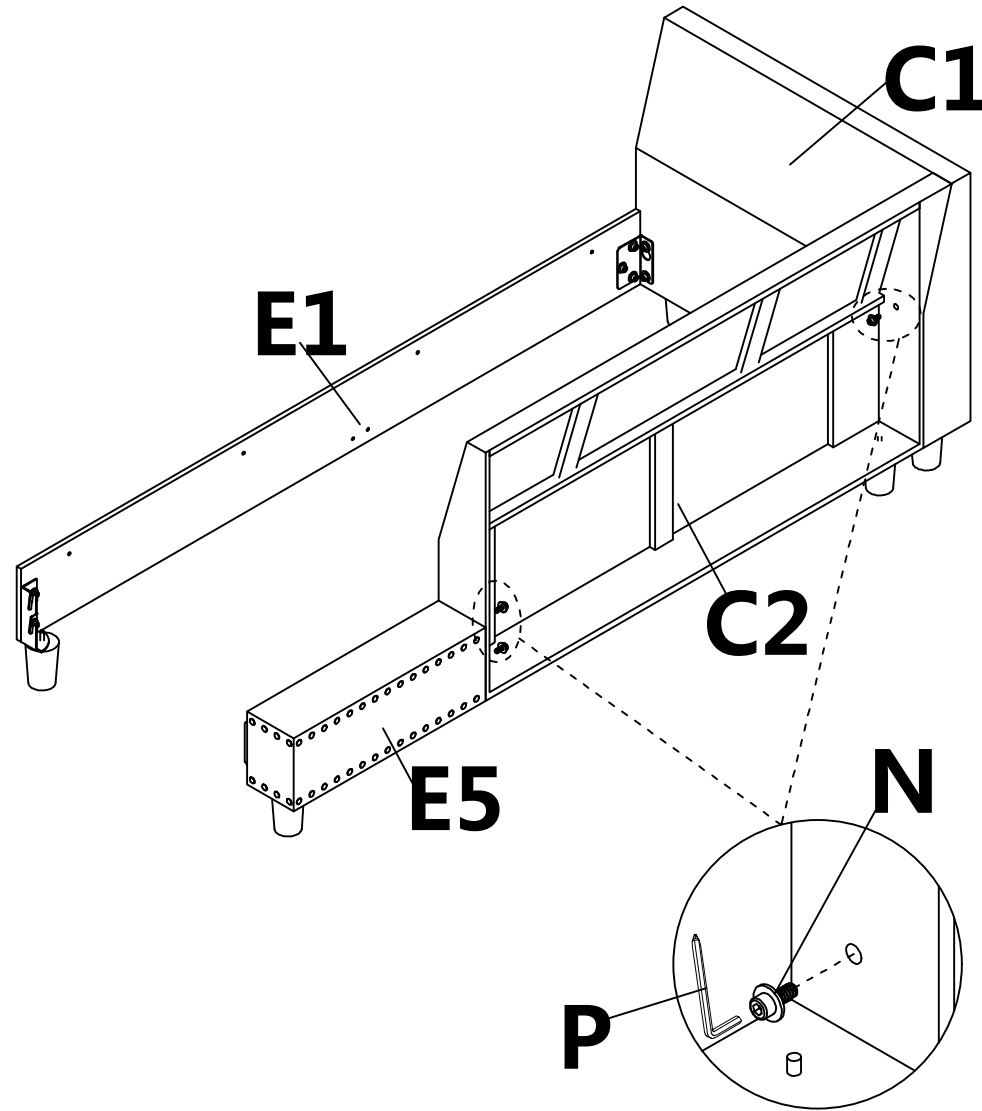
Pay attention to the installation direction

Loosen the screw of Pre-installed screws, then hang the bracket on and tighten the screws.



	M * 1pc
	X * 1pc
	P * 1pc

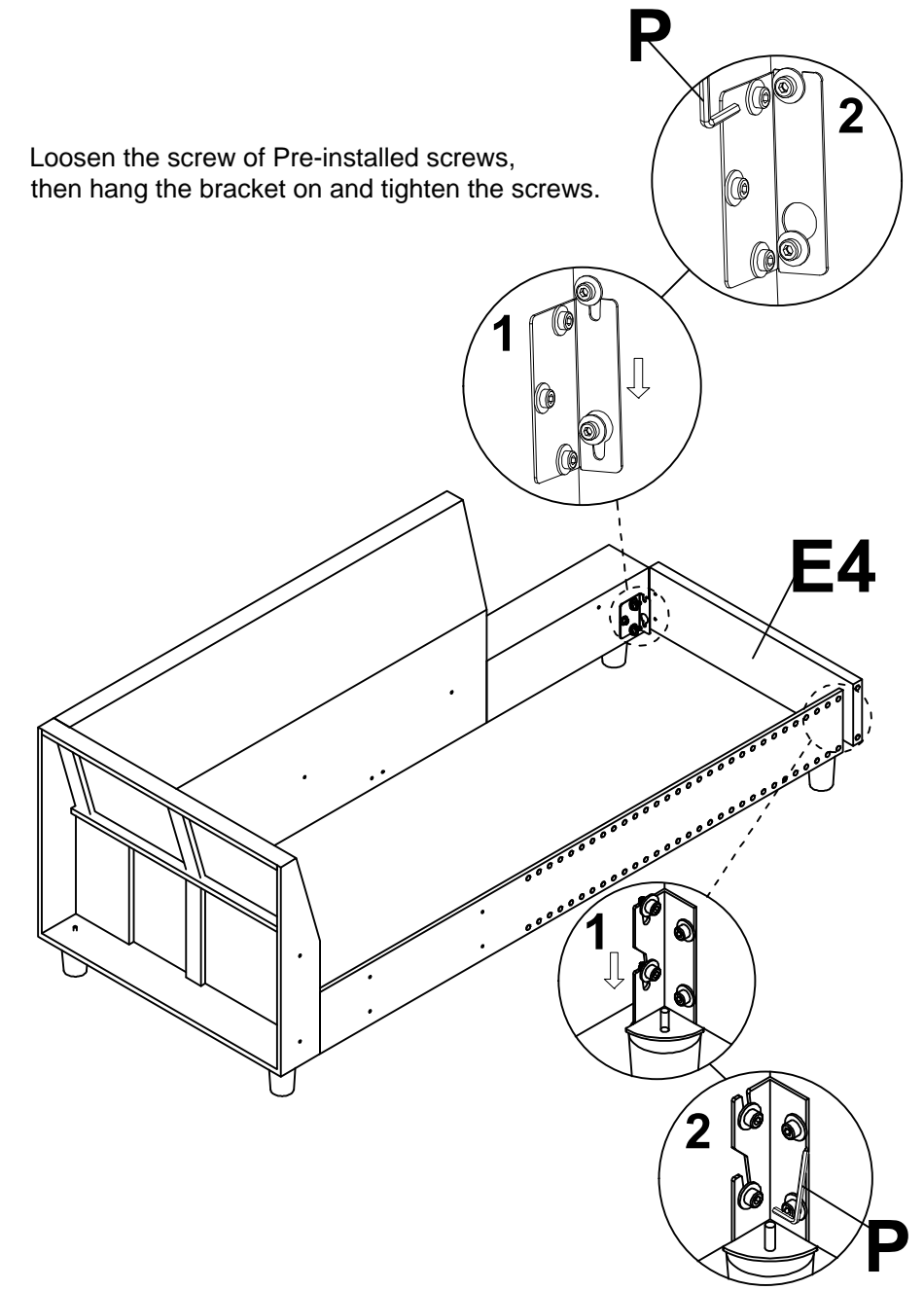
STEP 17



	N * 3pcs
	P * 1pc

STEP 18

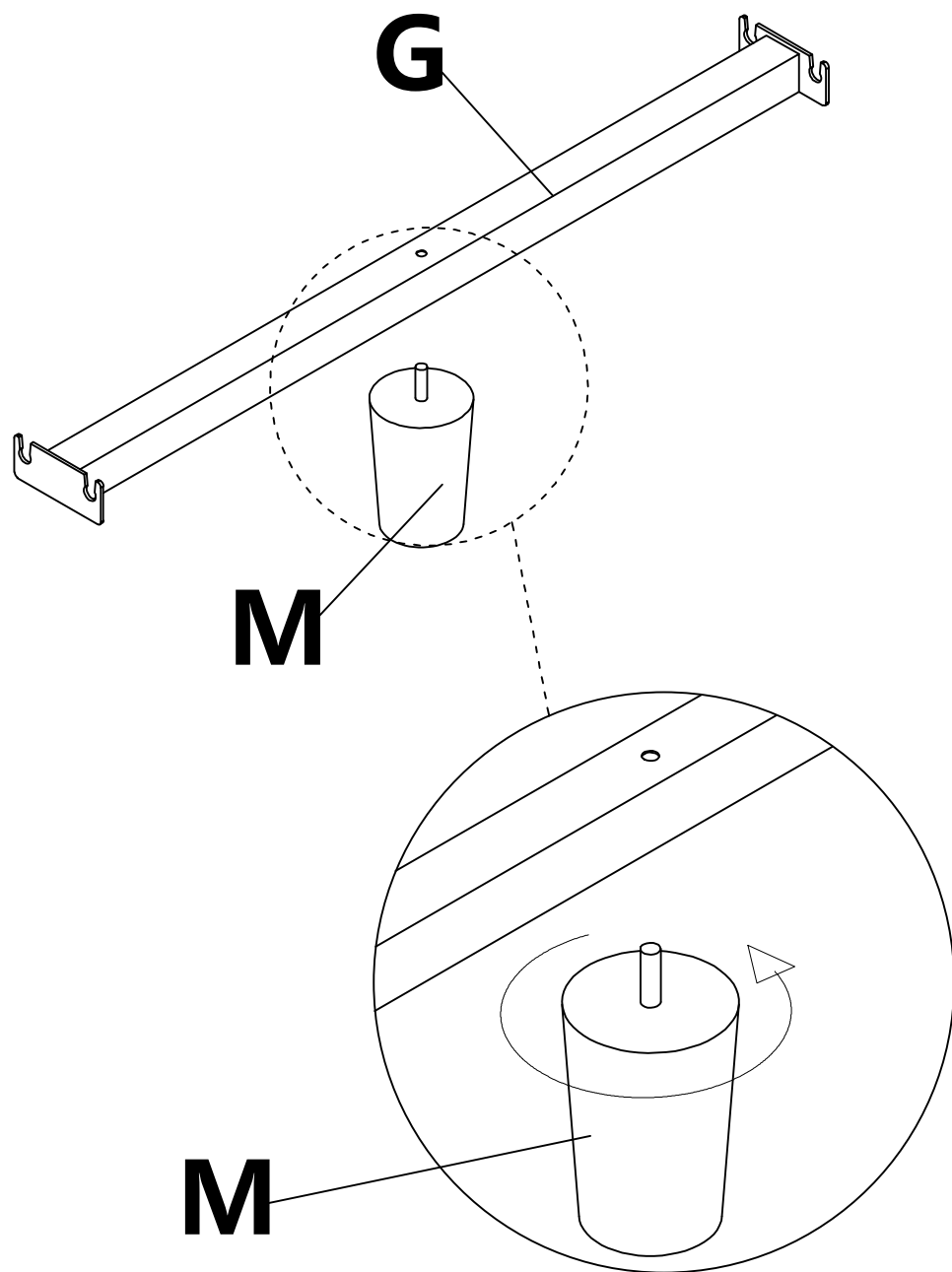
Loosen the screw of Pre-installed screws, then hang the bracket on and tighten the screws.



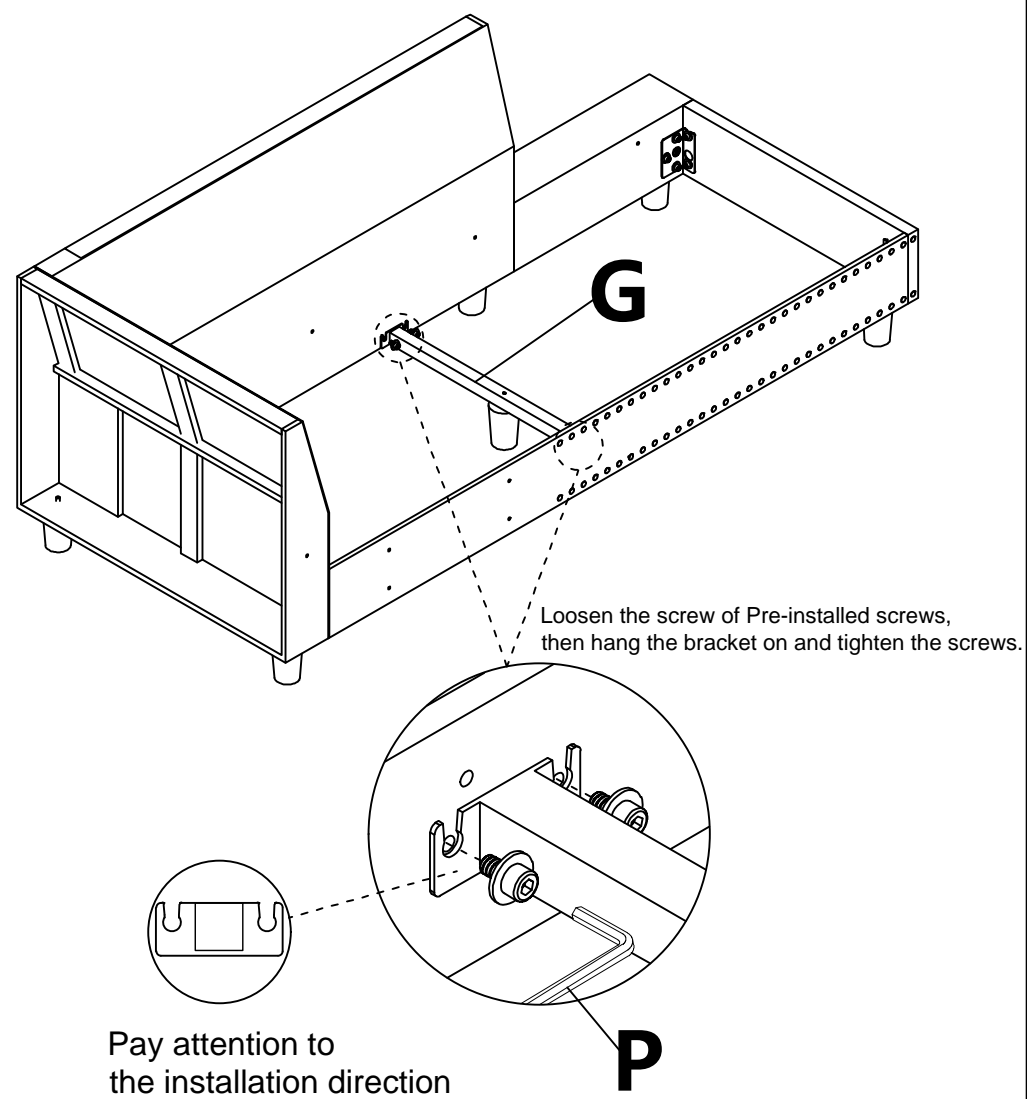
First loosen the screws of component E3 slightly, then put component E3 down along the hole of the hanging plate and tighten the screws.

Assembly instruction

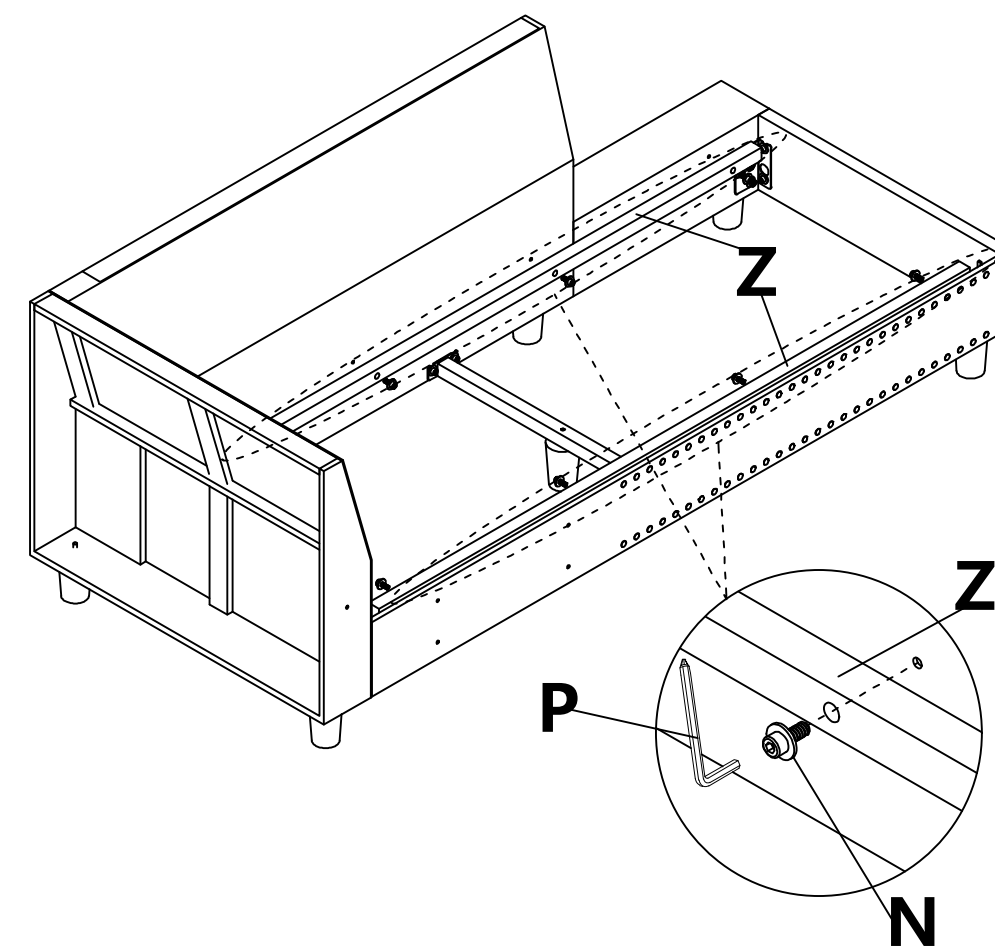
STEP 19






STEP 20






STEP 21



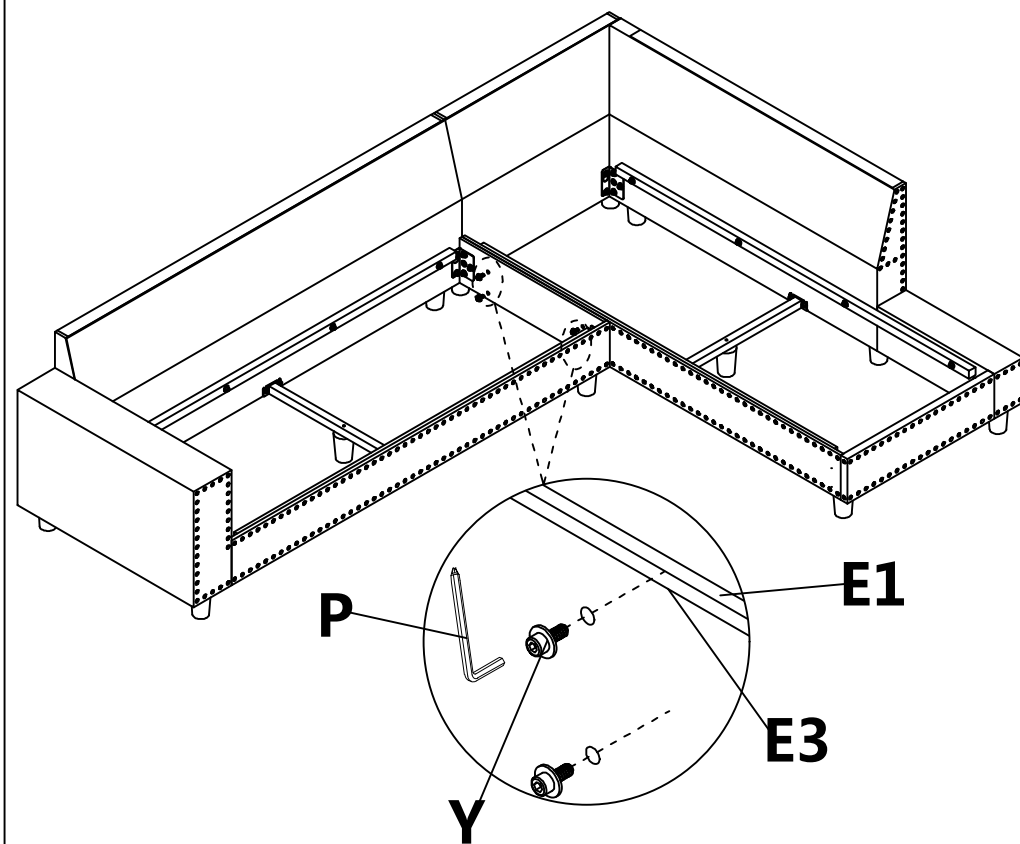
	G * 1pc
	M * 1pc



	P * 1pc
---	---------

	Z * 2pcs
	N * 8pcs
	P * 1pc

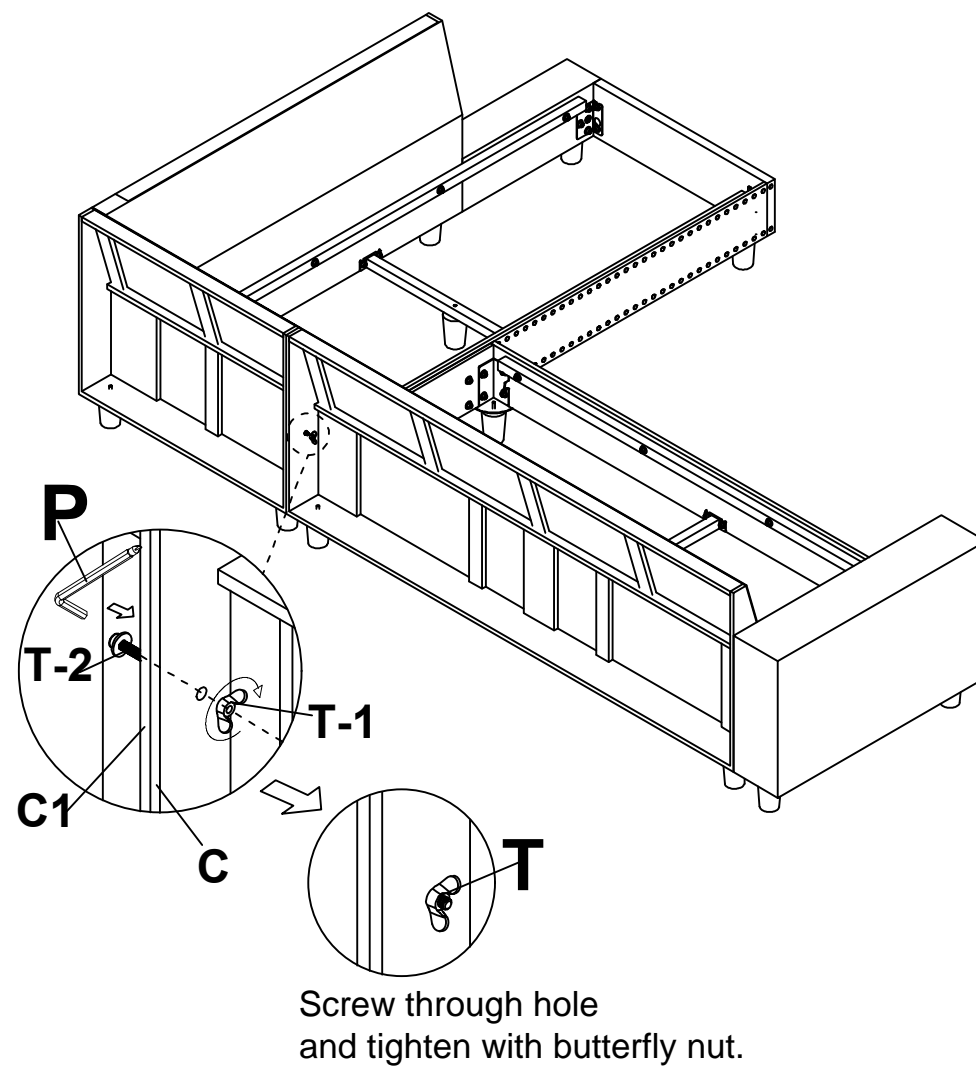
Assembly instruction



STEP 22



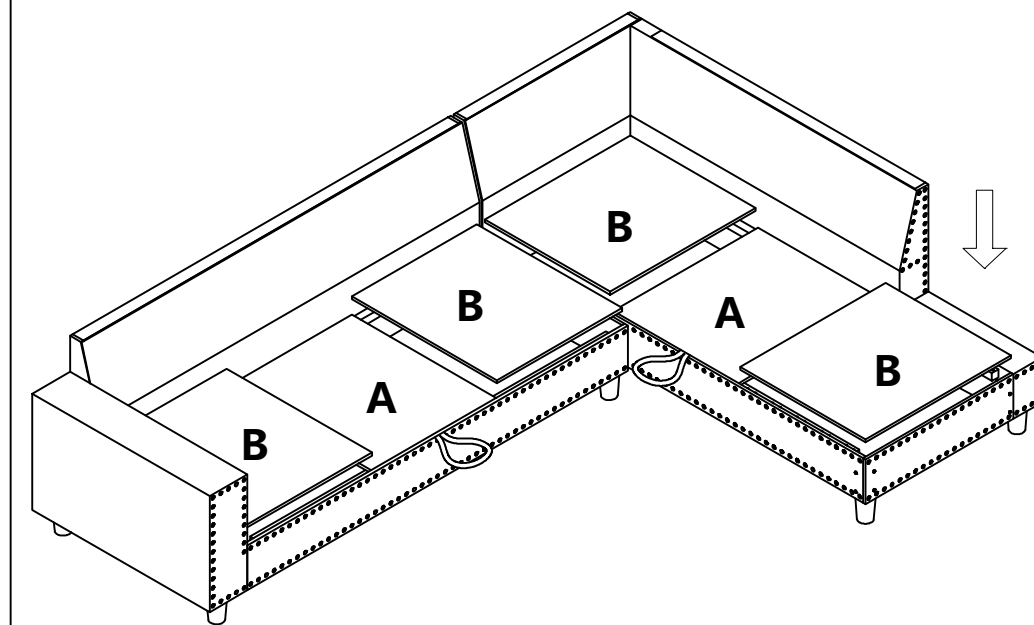
	Y * 4pcs
	P * 1pc

STEP 23



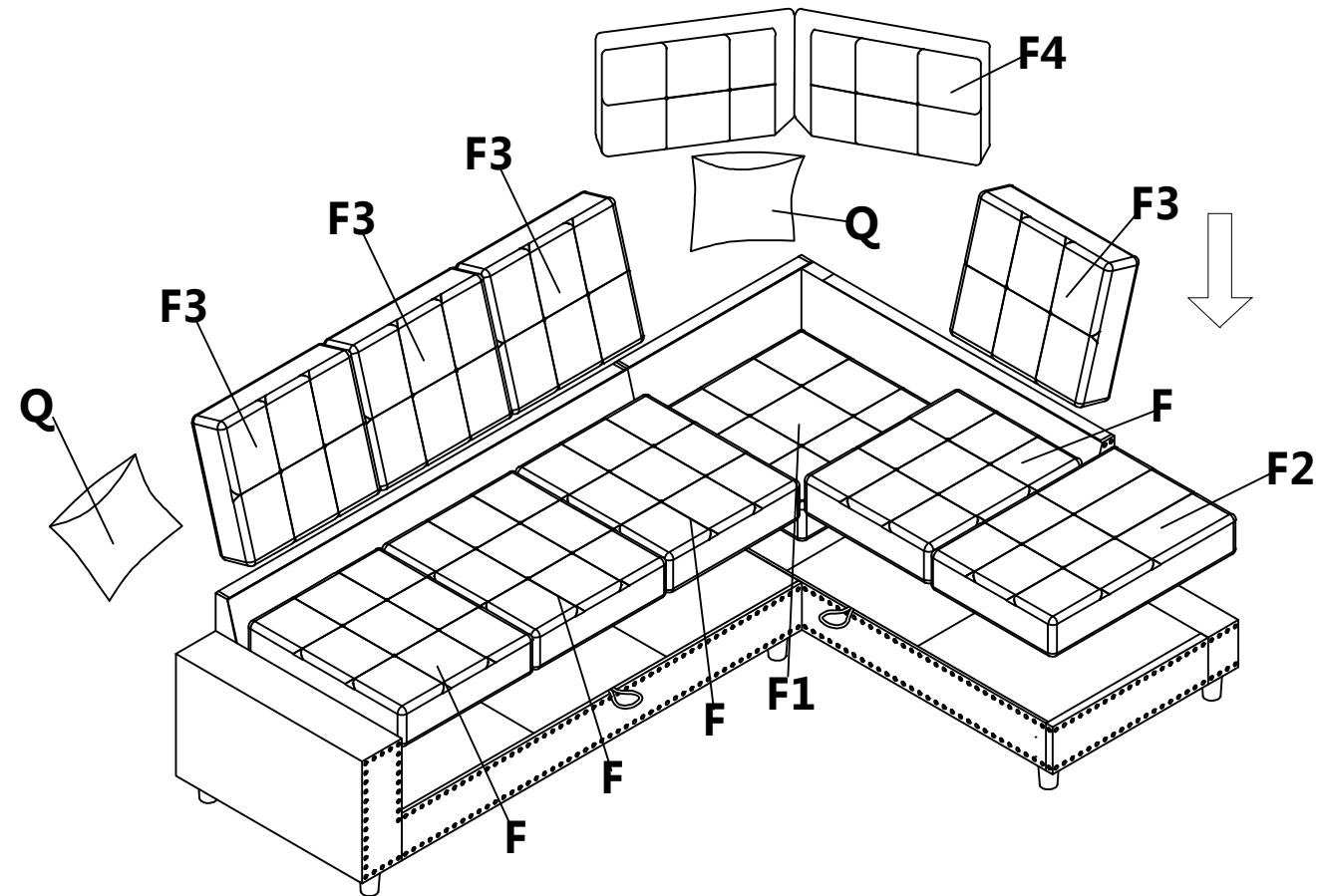
	T * 1pc
	P * 1pc

STEP 24

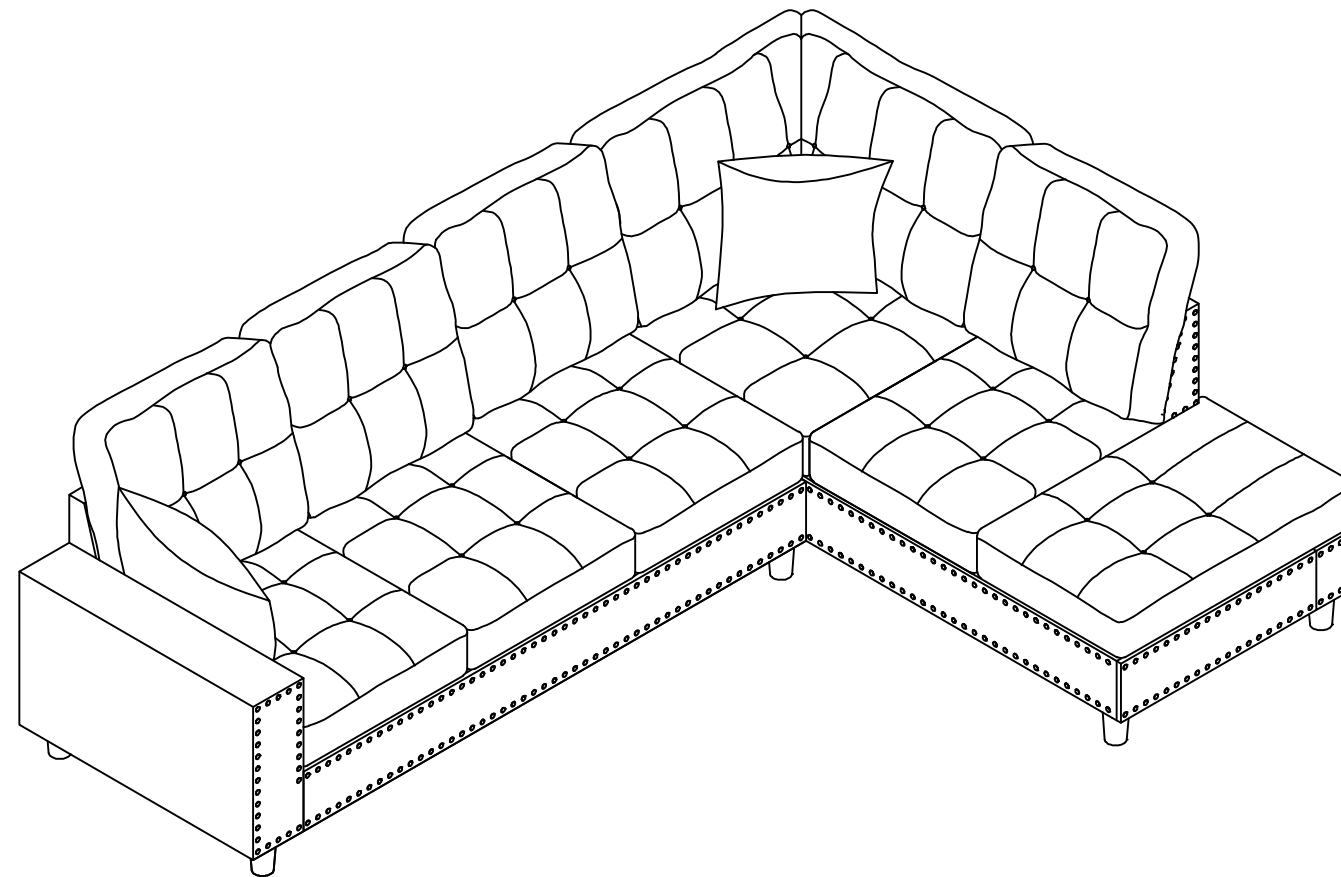


Assembly instruction

STEP 25



STEP 26



Installation Complete