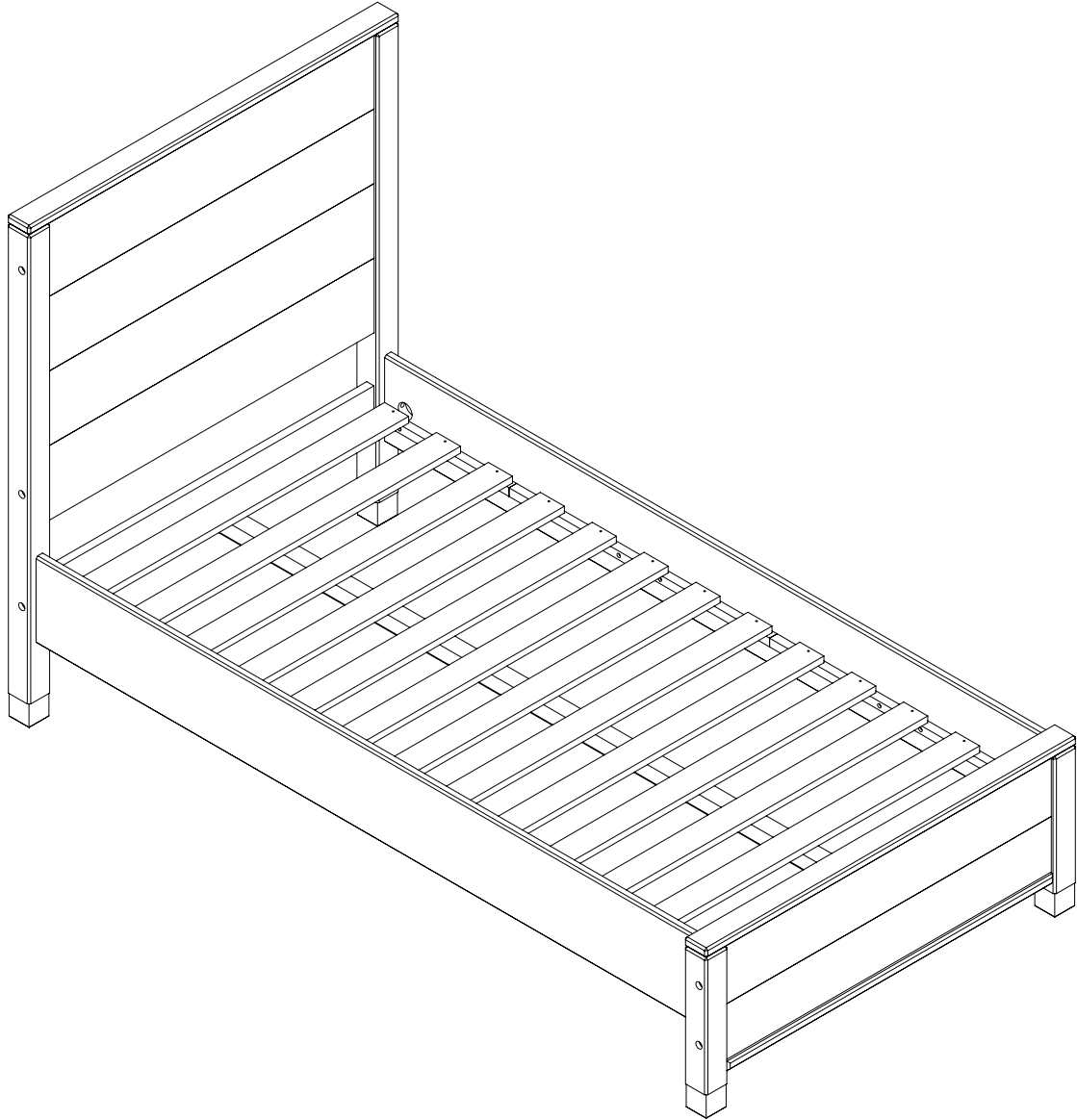


# Platform Bed - Twin Size

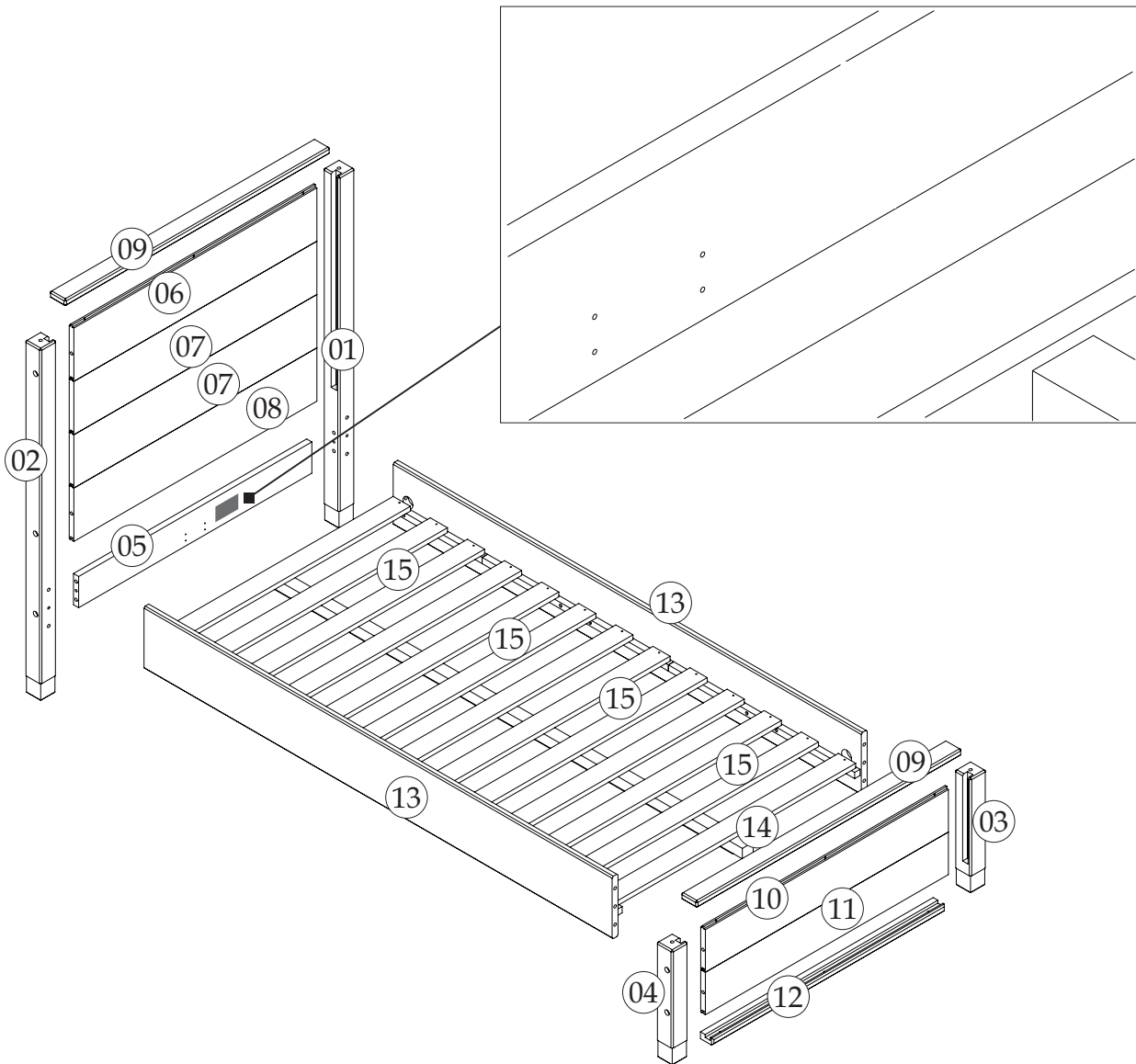


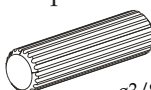



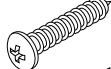
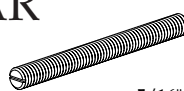
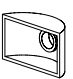
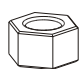


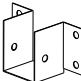
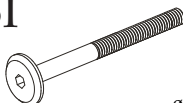
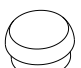
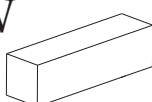
## ATTENTION

- 1 - Read and observe carefully all the assembly instructions before beginning assembly.
- 2 - The assembly of the product must be done on a clean and flat surface. We suggest to use the packaging to cover the floor to avoid damages.
- 3 - The screws must be tightened periodically.
- 4 - Avoid contact with sharp objects.
- 5 - Avoid banging pieces together.

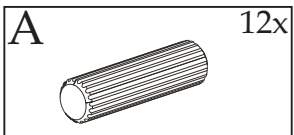
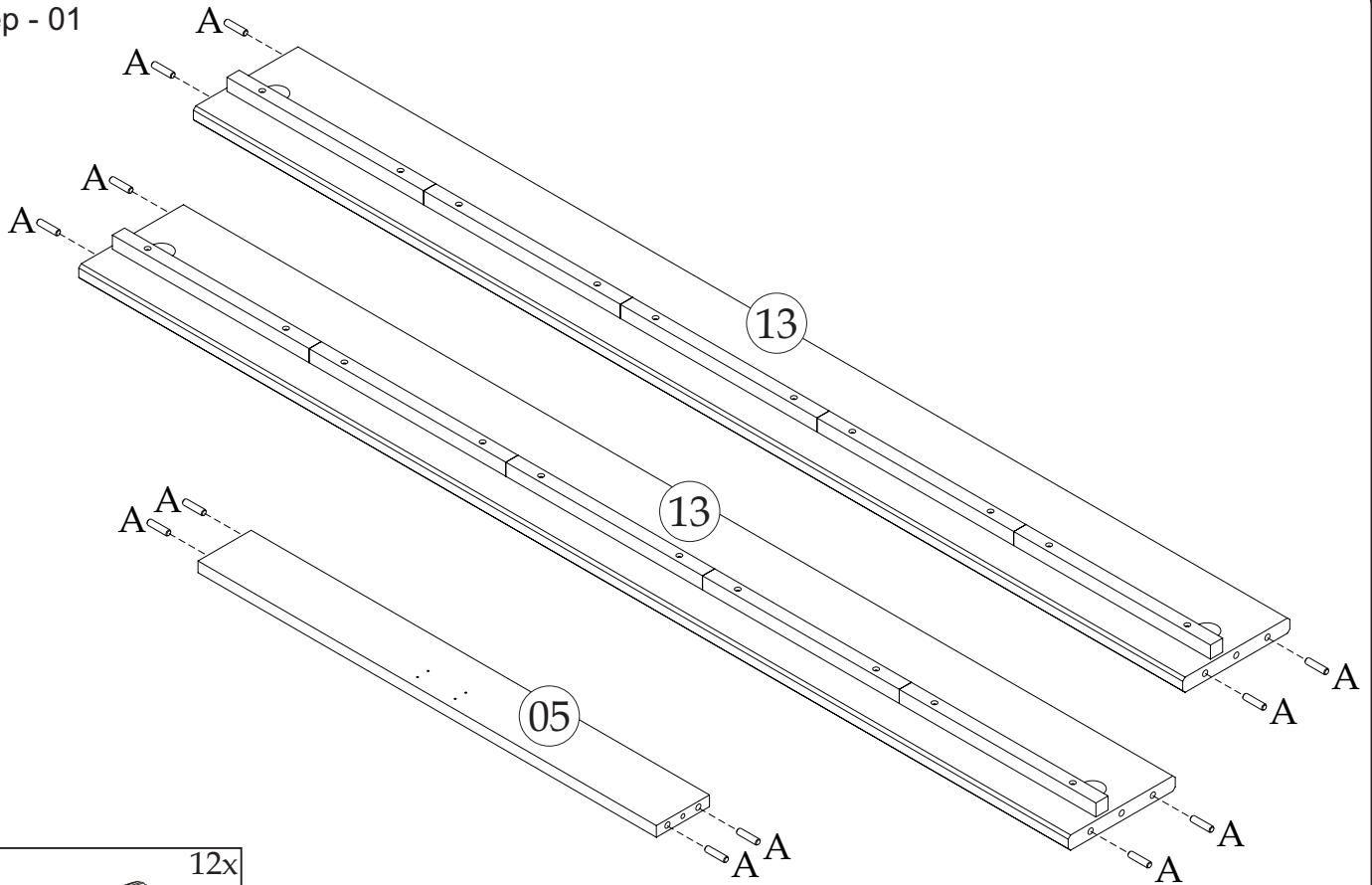


Parts and hardware list for assembly.  
Please confirm all parts available before assembly.

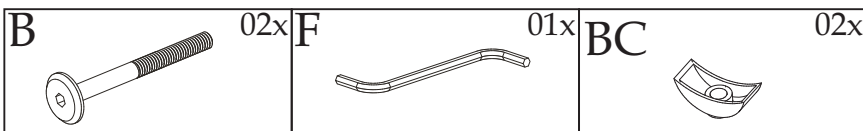
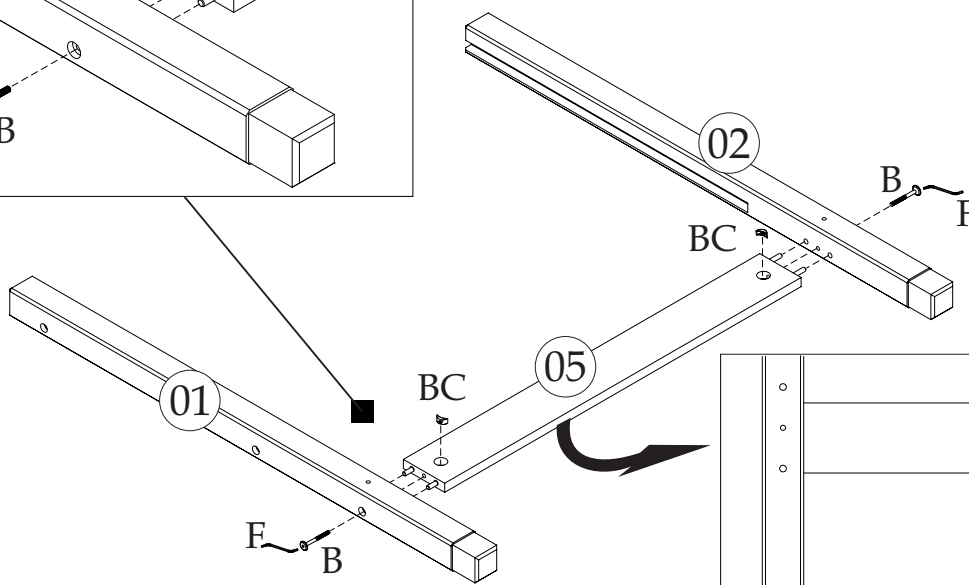
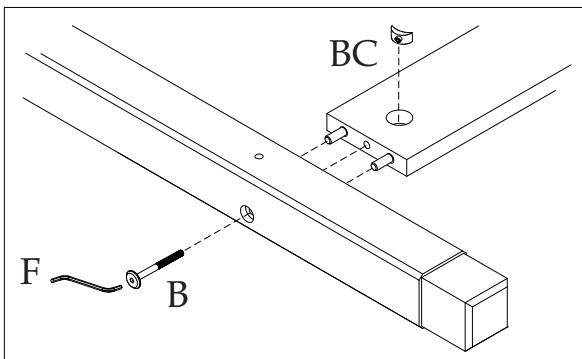


<b>A</b> +2x spare 16x  ø3/8" x 1 9/16"	<b>B</b> +1x spare 10x  ø1/4" x 4 1/4"	<b>F</b> +1x spare 01x  1/4" x 4 1/4"	<b>Z</b> +2x spare 12x  ø1/8" x 5/8"
<b>AP</b> +2x spare 35x  ø1/8" x 1 3/8"	<b>AR</b> 02x  ø5/16" x 3 1/2"	<b>AS</b> 02x  1/2" x 1 1/4"	<b>AT</b> +1x spare 02x  ø5/16"
<b>AU</b> 01x  1/2"	<b>BC</b> +1x spare 12x  1/4"	<b>BF</b> 02x 	<b>BI</b> 02x  ø1/4" x 5"
<b>BJ</b> +2x spare 10x  ø3/4"	<b>BW</b> 02x  3 1/4"		

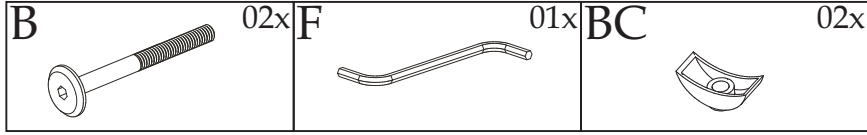
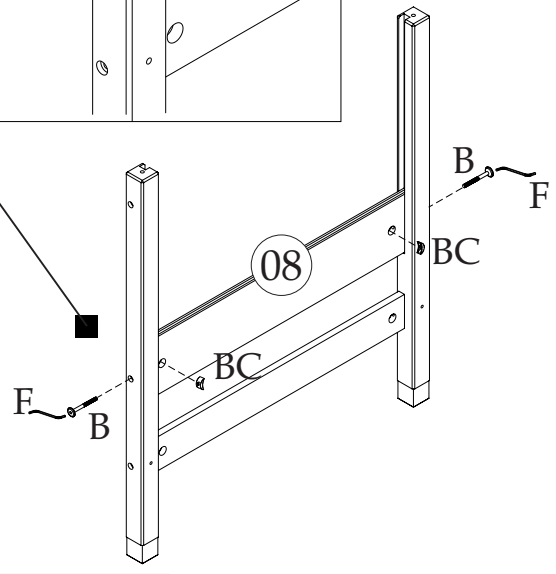
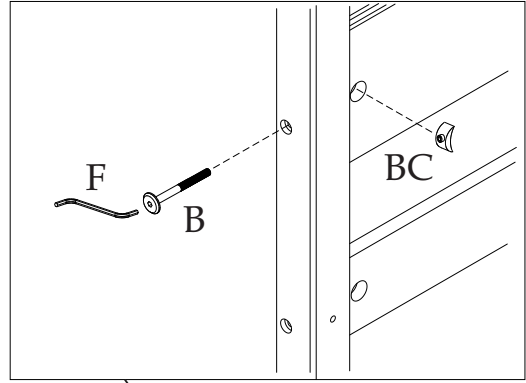
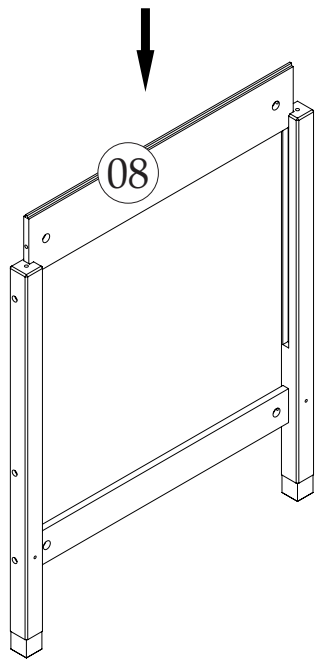
Step - 01



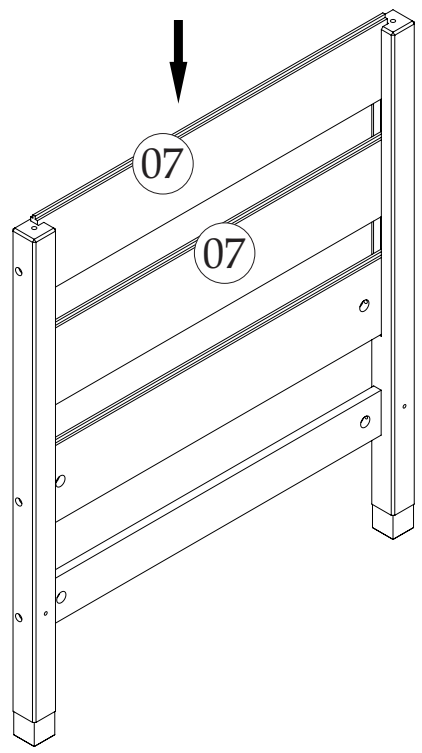
Step - 02



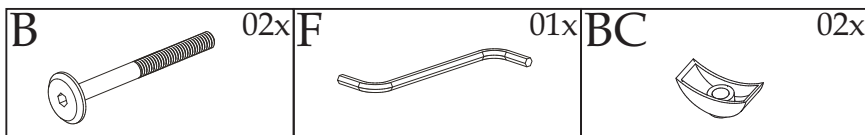
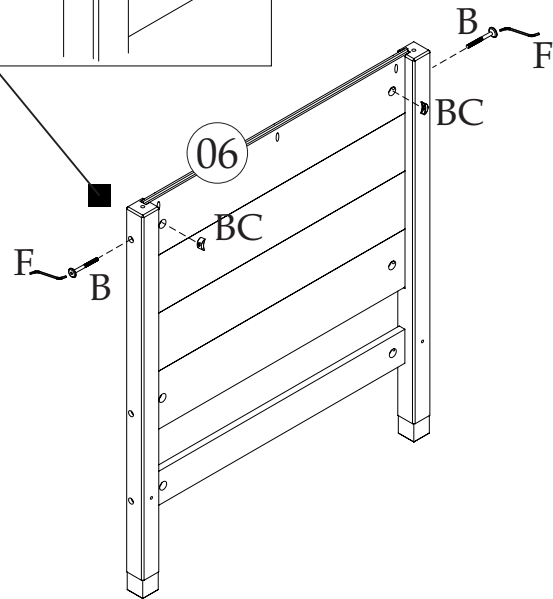
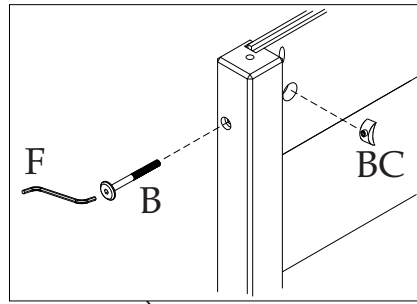
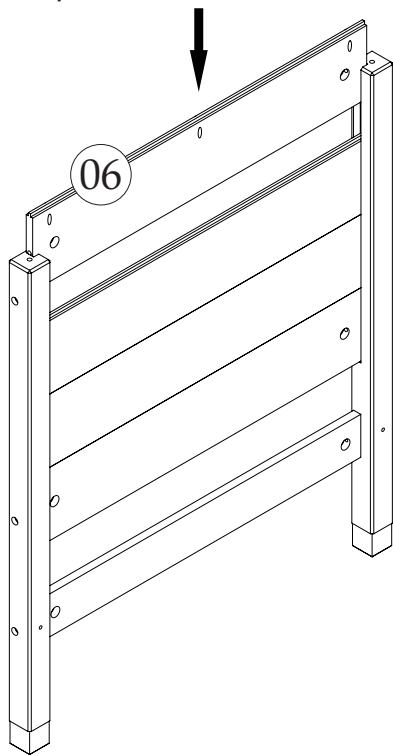
Step - 03



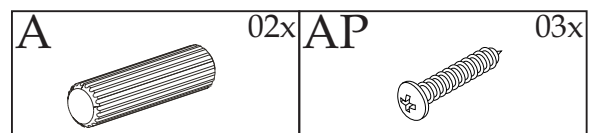
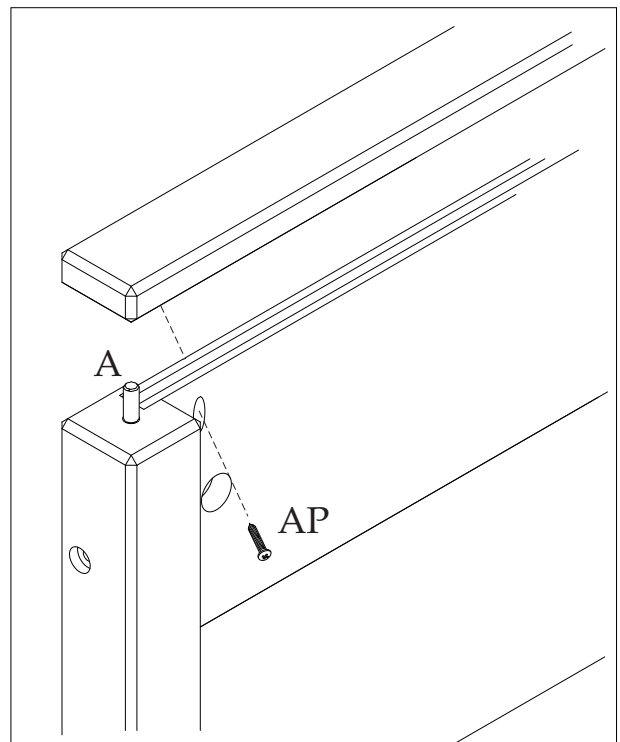
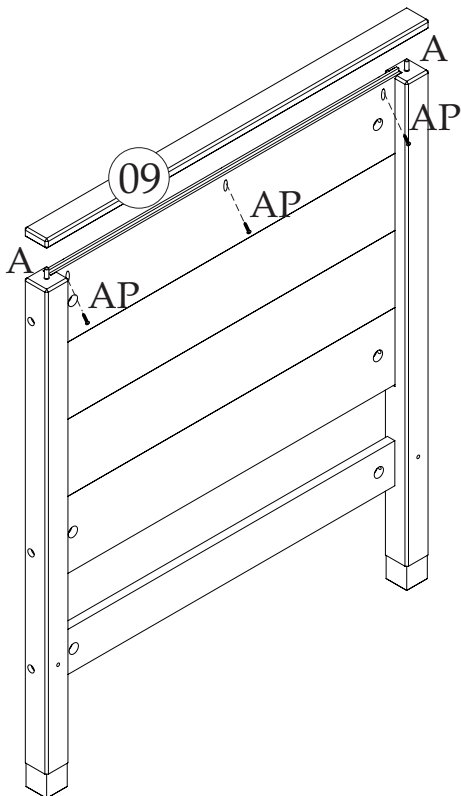
Step - 04



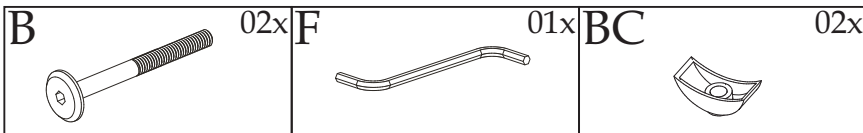
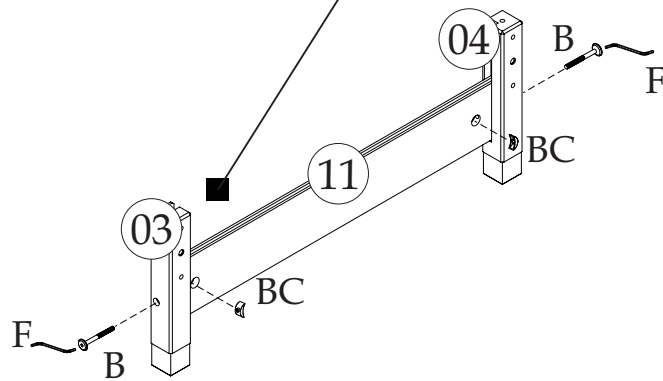
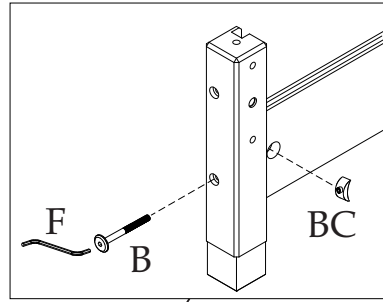
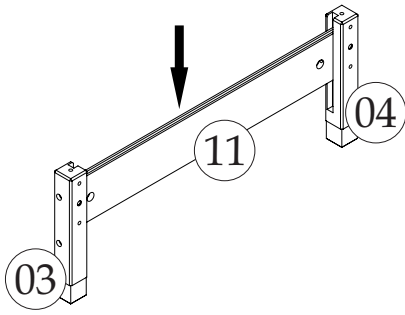
Step - 05



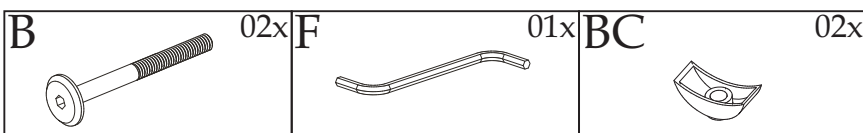
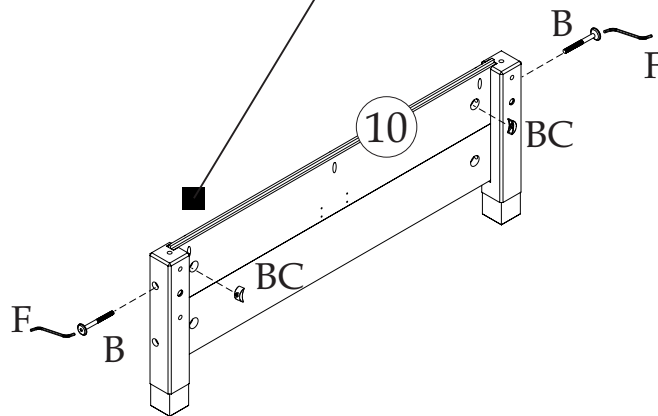
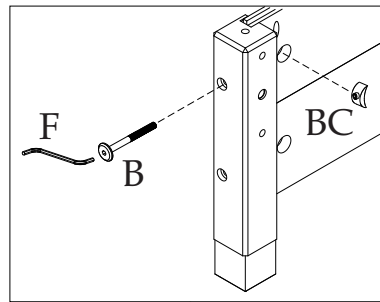
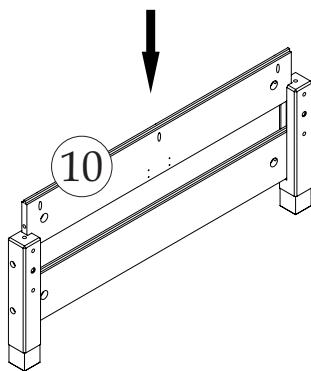
Step - 06



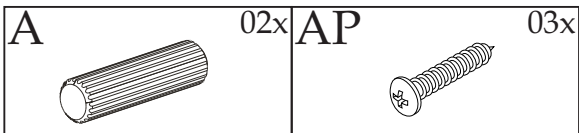
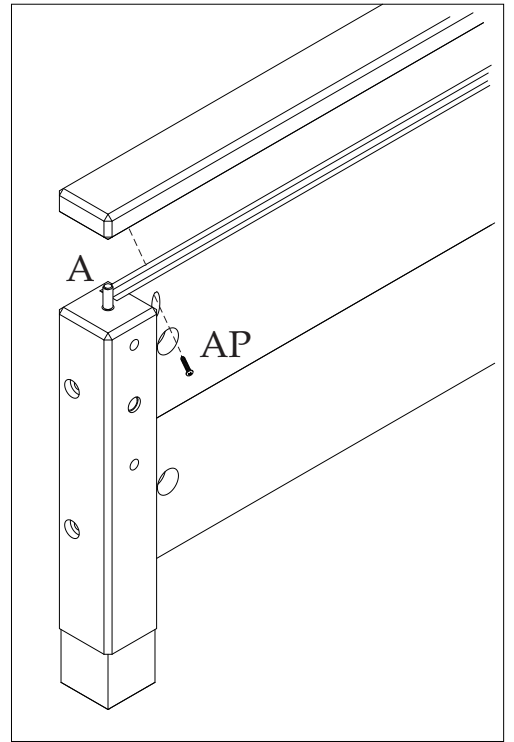
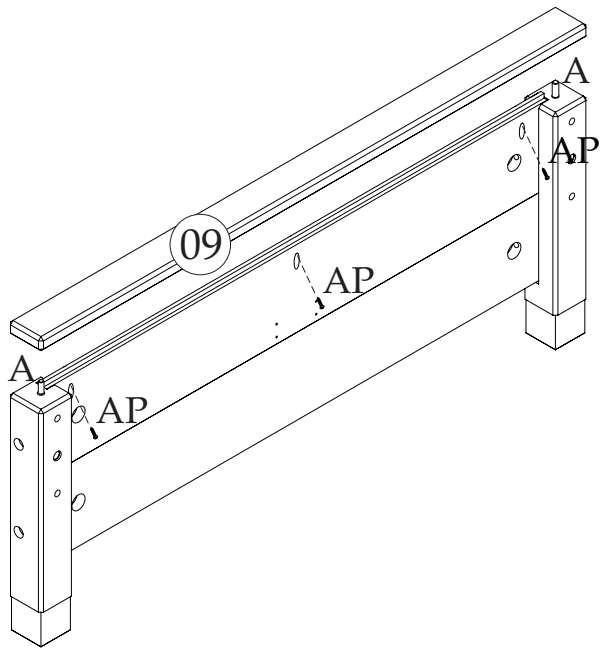
Step - 07



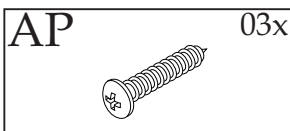
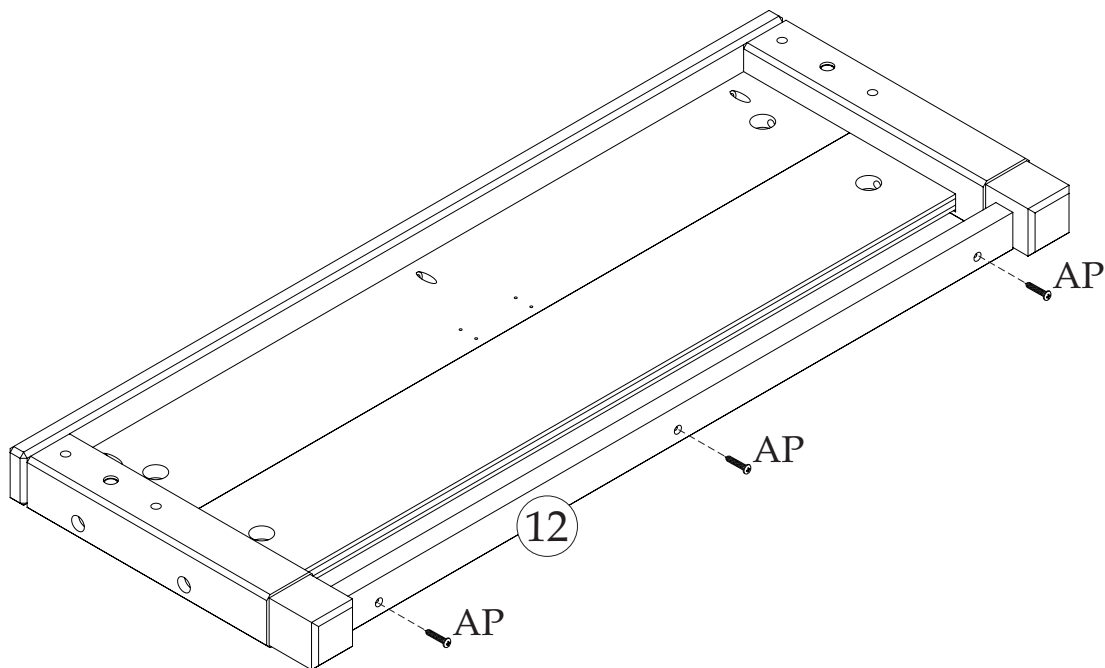
Step - 08



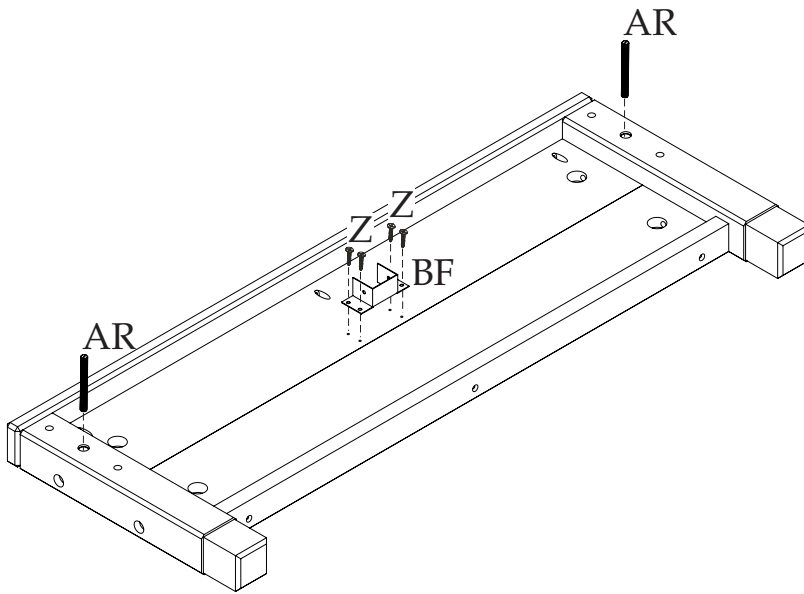
Step - 09

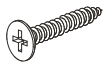
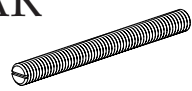
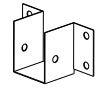


Step - 10

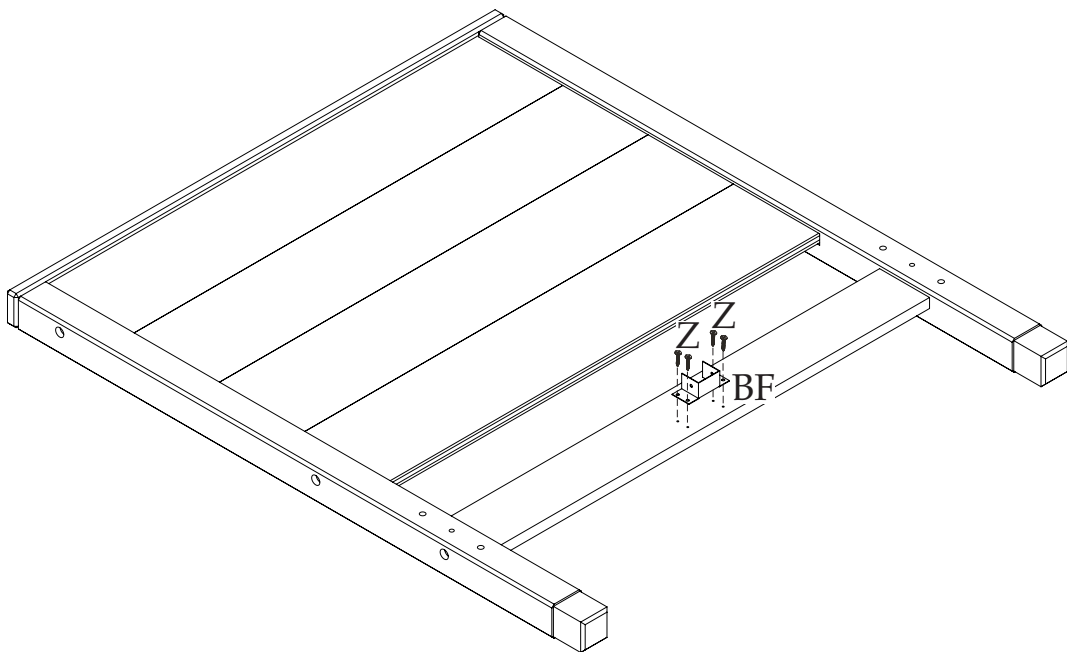


Step - 11



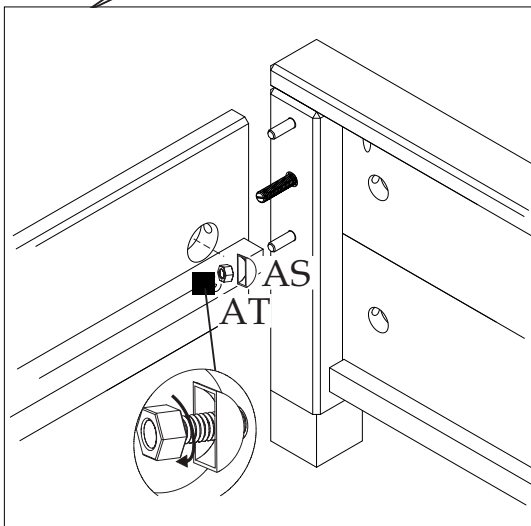
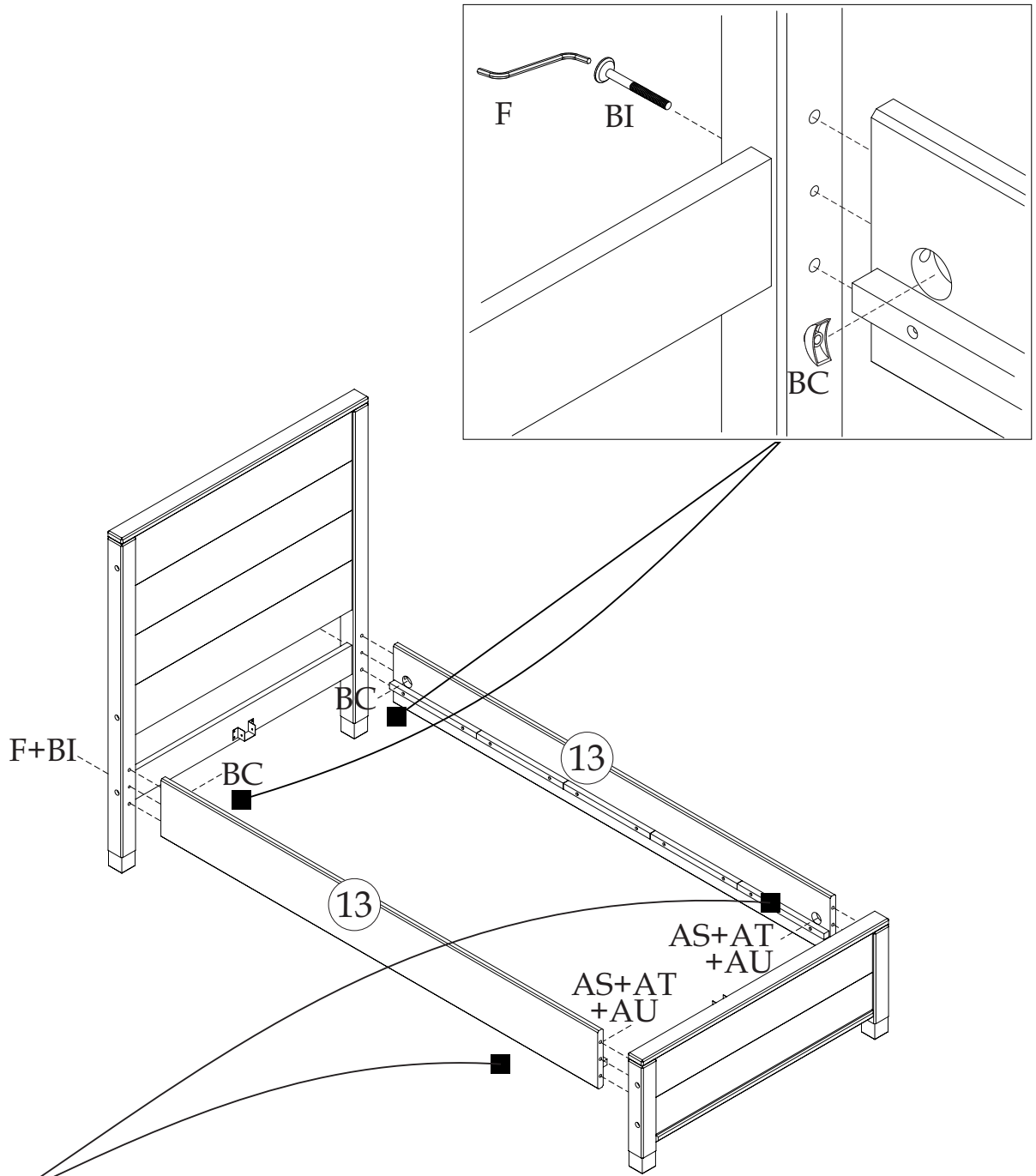
Z	04x	AR	02x	BF	01x
					

Step - 12



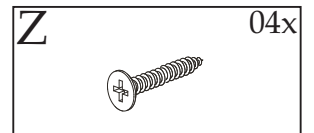
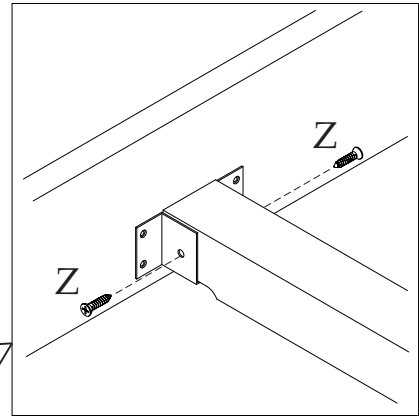
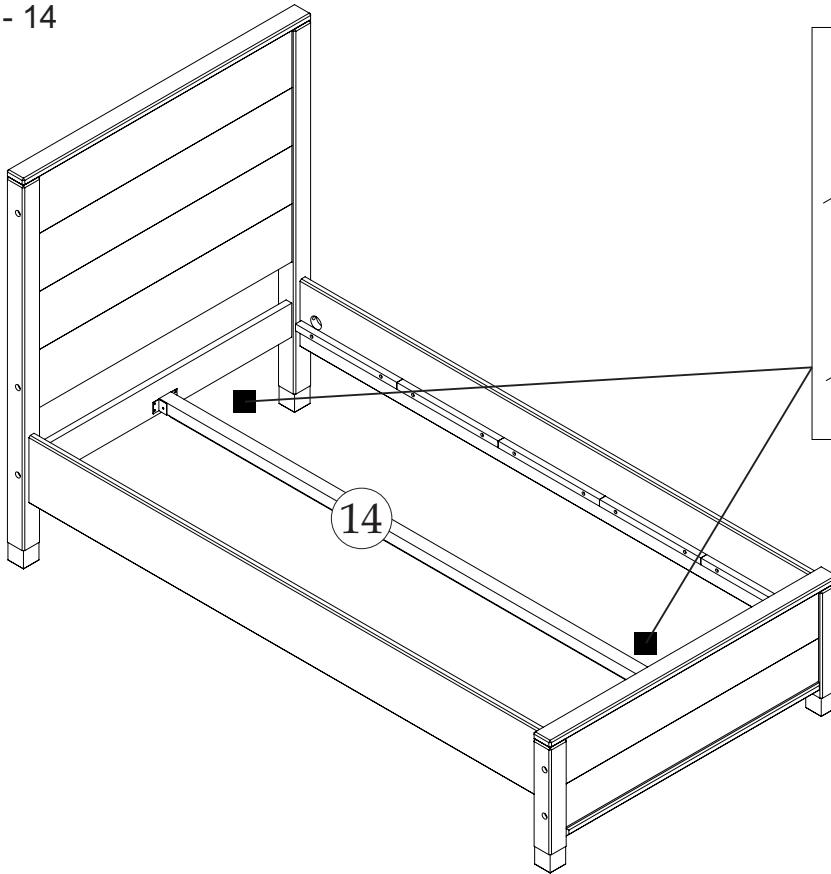
Z	04x	BF	01x
			

Step - 13

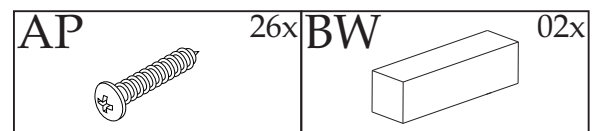
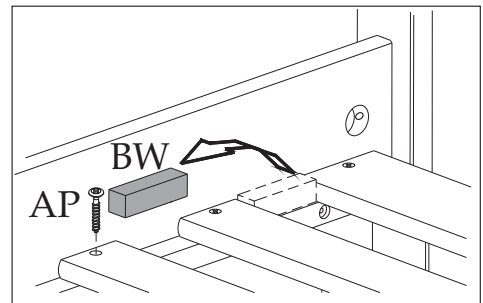
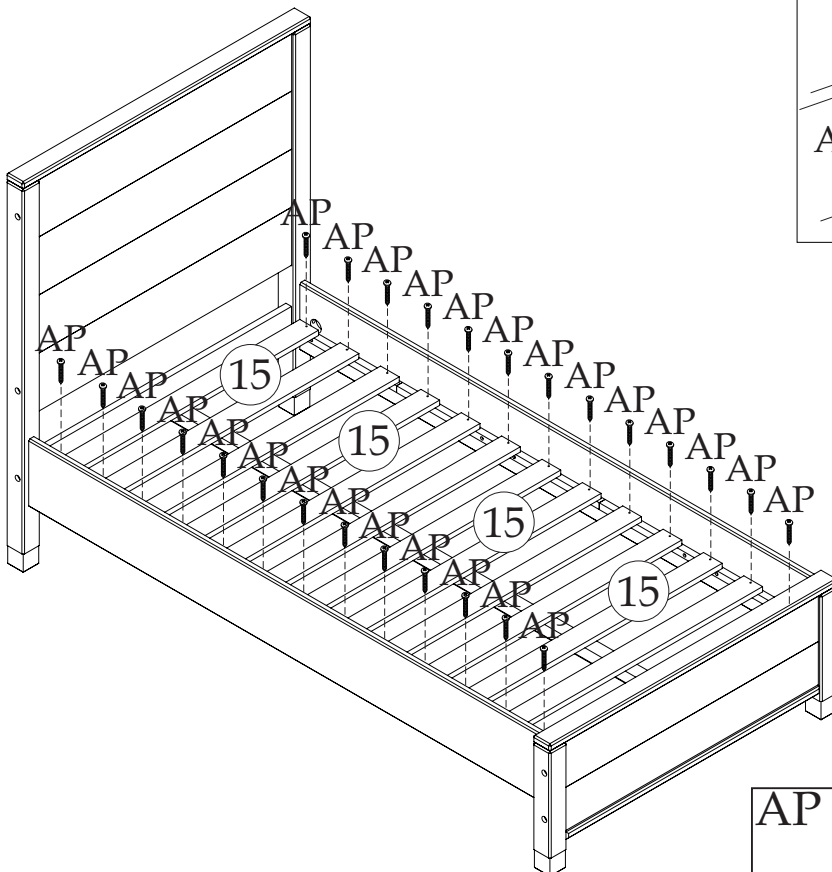


F	01x	AS	02x
AT	02x	AU	01x
BC	02x	BI	02x

Step - 14



Step - 15



Step - 16

