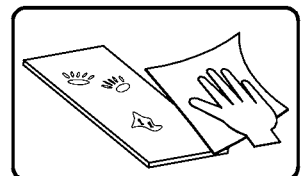
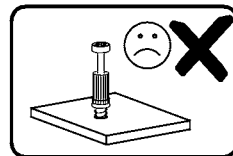
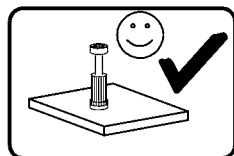
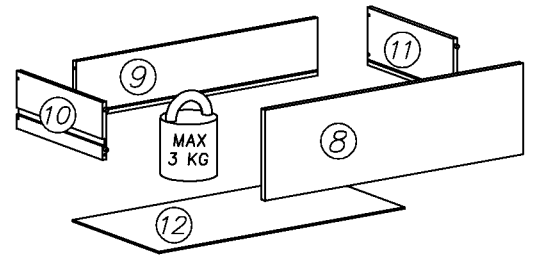
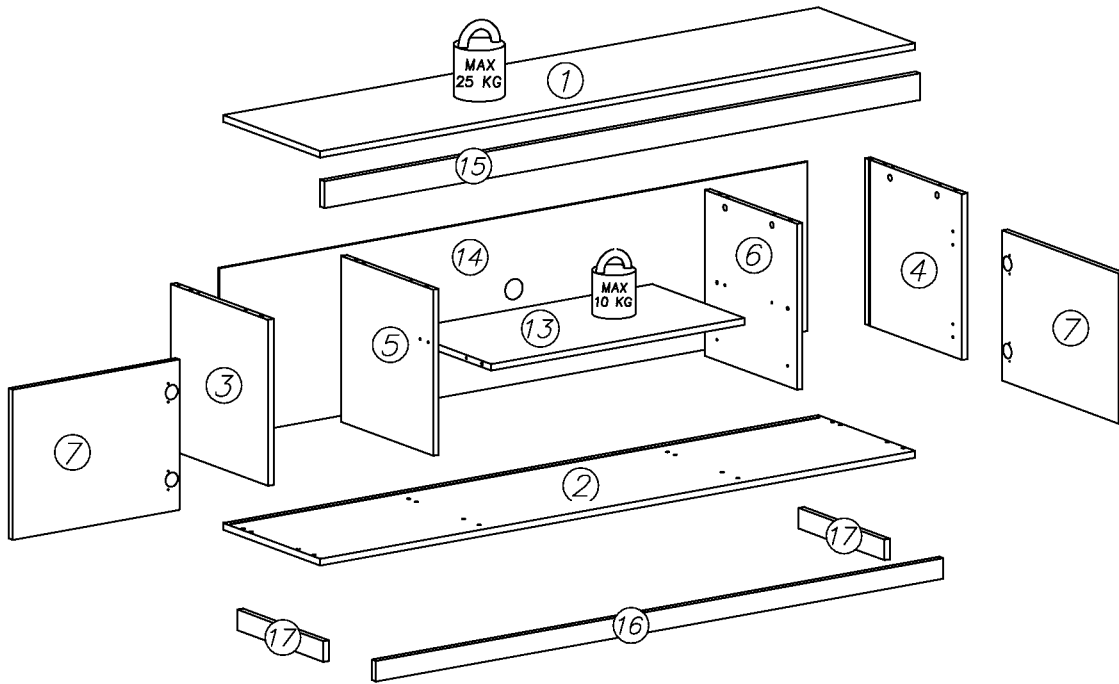
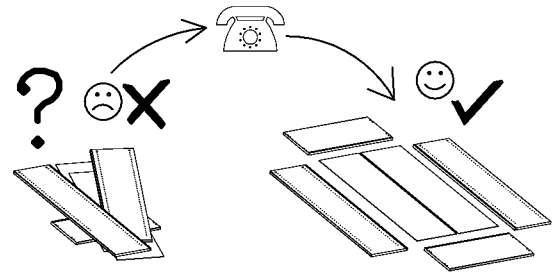
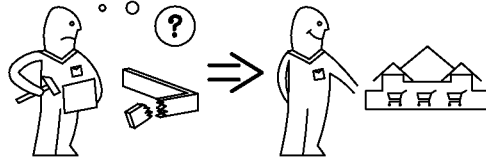
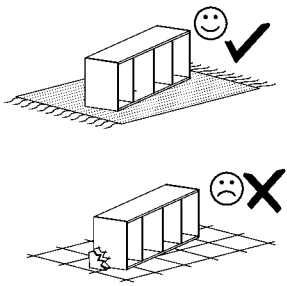
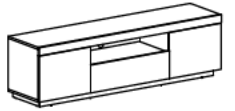


1,5h

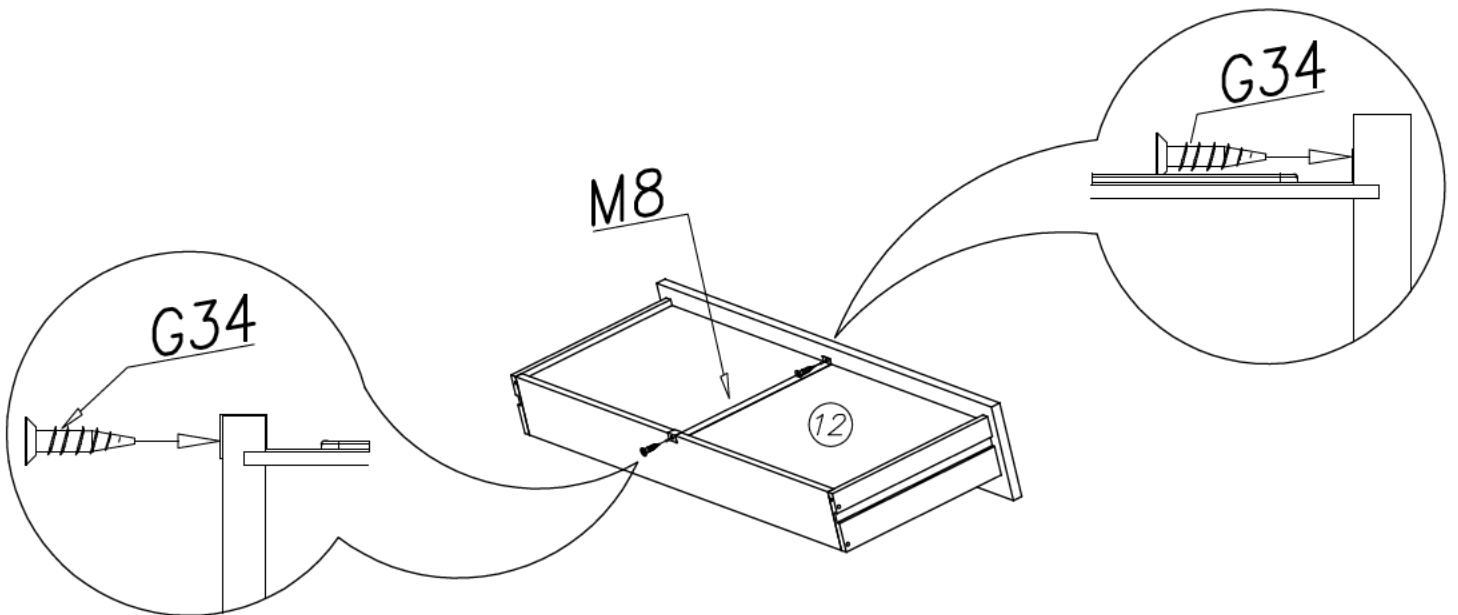
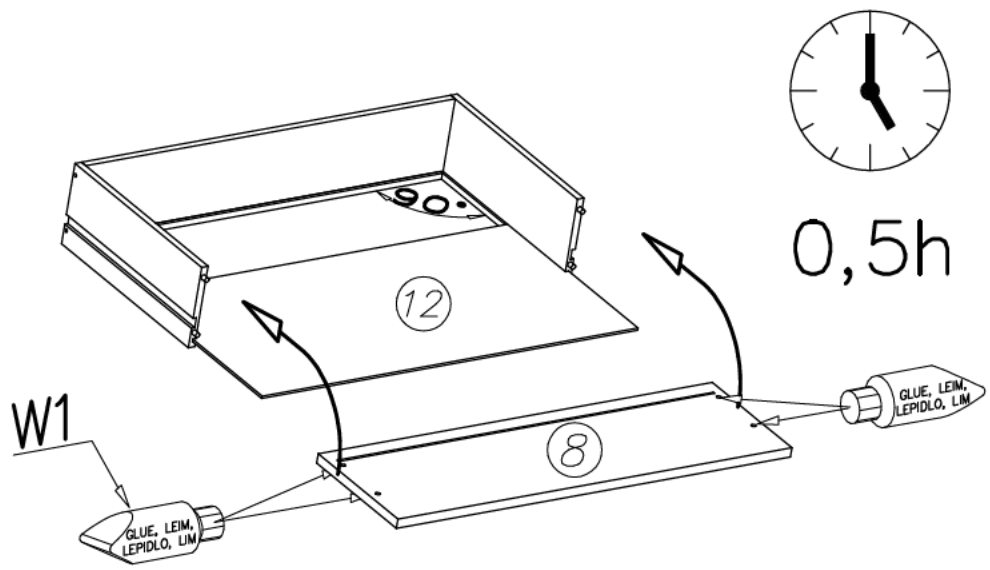
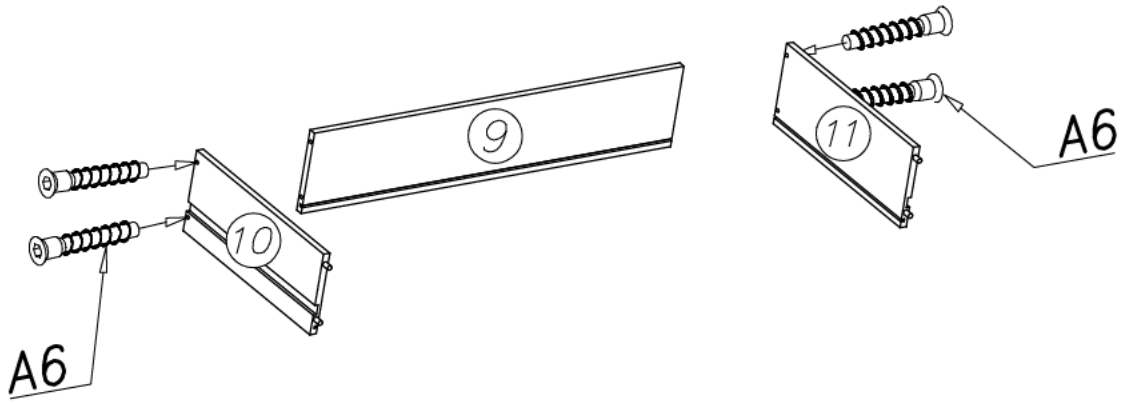


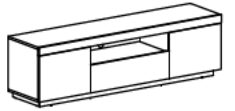


G56 4x16 x...(48)	G57 3,5x16 x...(4)			
F15 x...(8)	P25 x...(2)	A1 ø7x50 x...(8)		
G50 6x13 x...(4)	F12 x...(4)	I1 x...(8)	M8 350mm x...(1)	
W1 x...(1)	A6 ø7x40 x...(4)	H4 350mm x...(2)	W2 x...(1)	
K1 ø15x12 x...(12)	P4 x...(8)	C3 Z35PR x...(4)	D3 PZ35PR x...(4)	G34 3,5x16 x...(22)
K10 x...(12)	B1 ø8x35 x...(20)	I7 x...(12)	L13 x...(2)	N1 M4x9 x...(2)

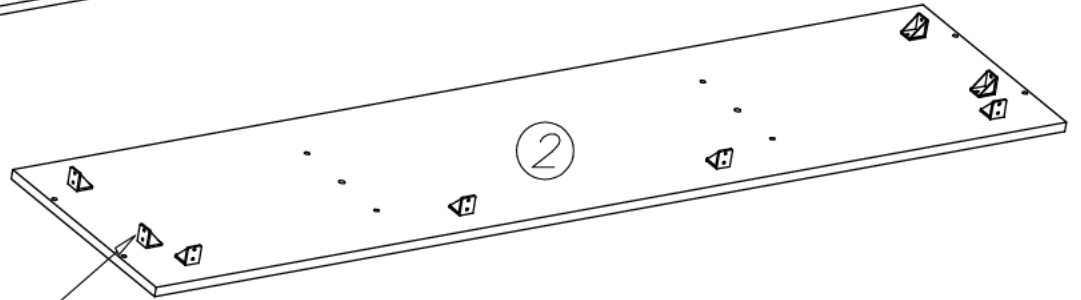
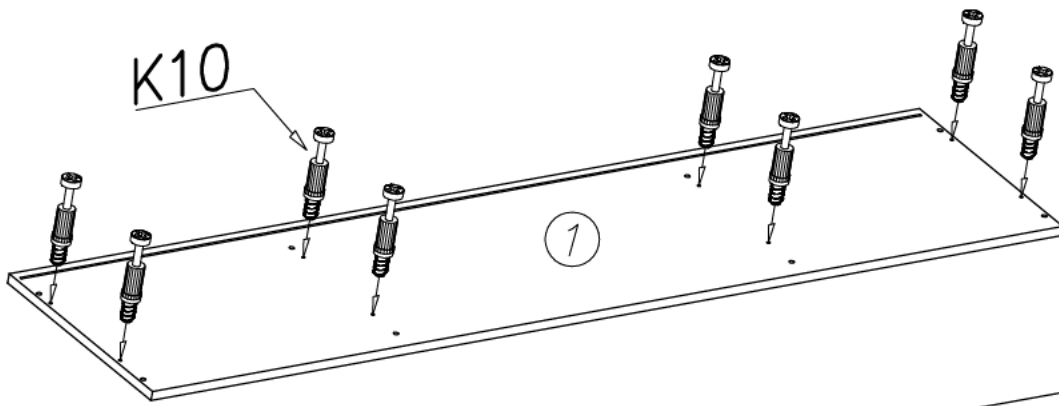


I

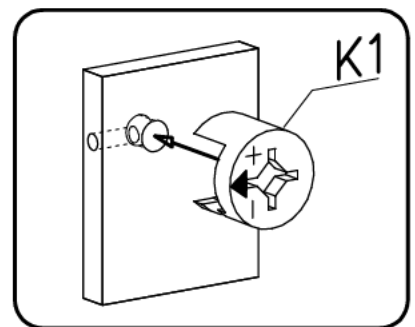
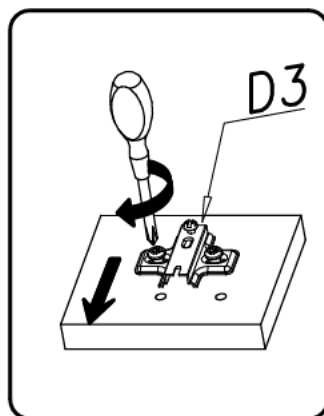
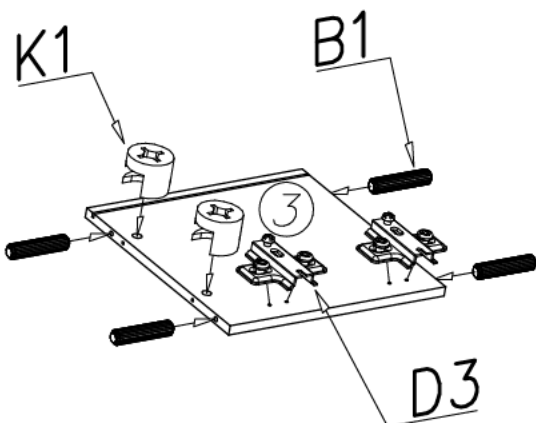
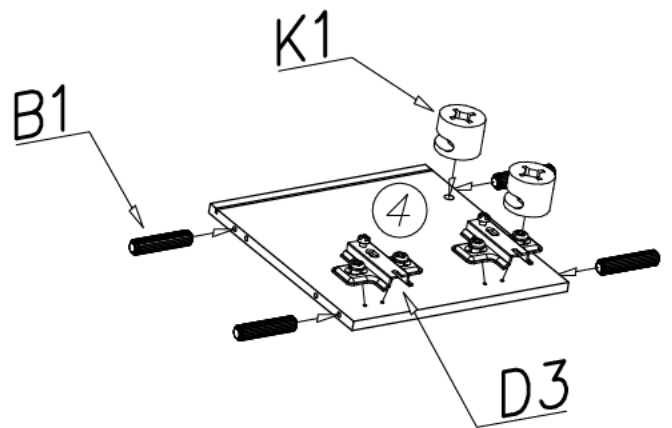
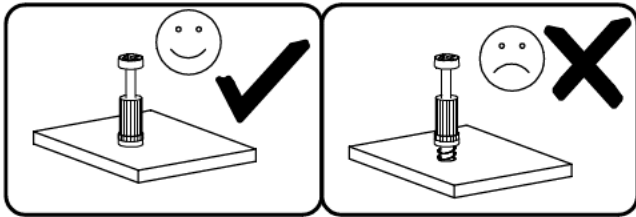
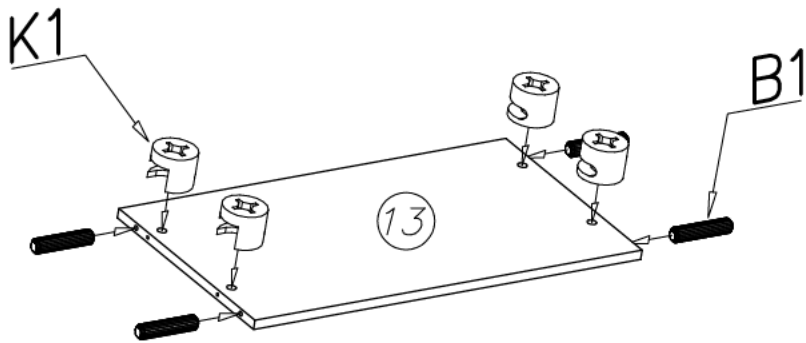
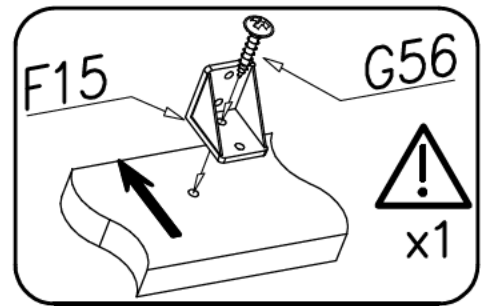


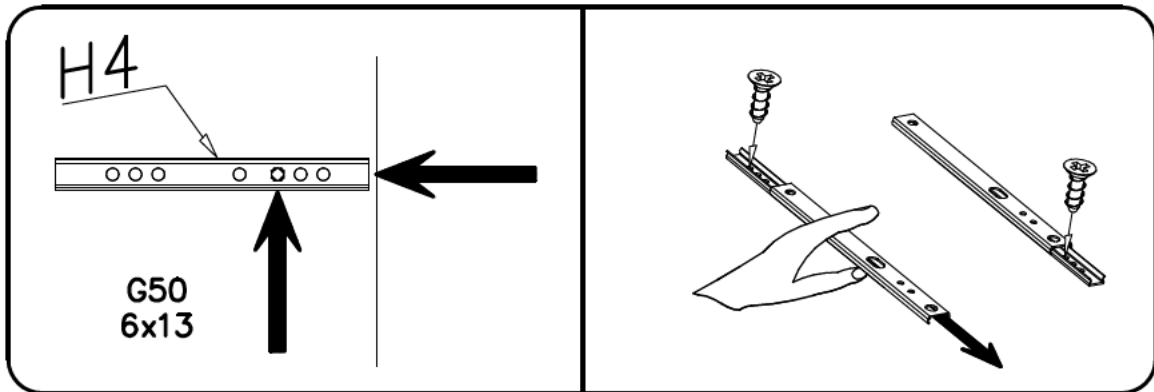
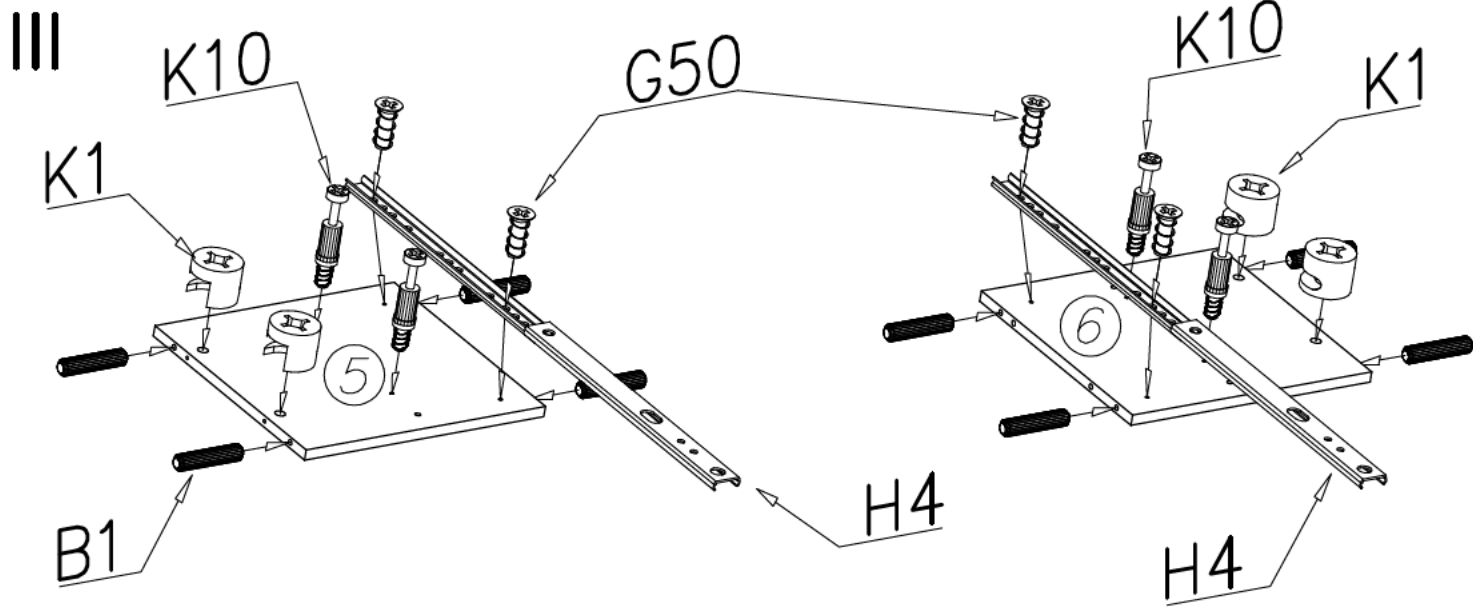
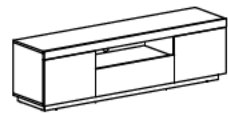


II

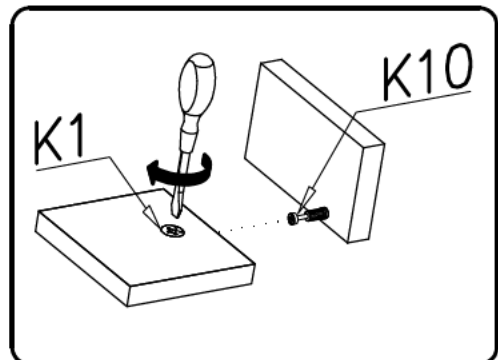
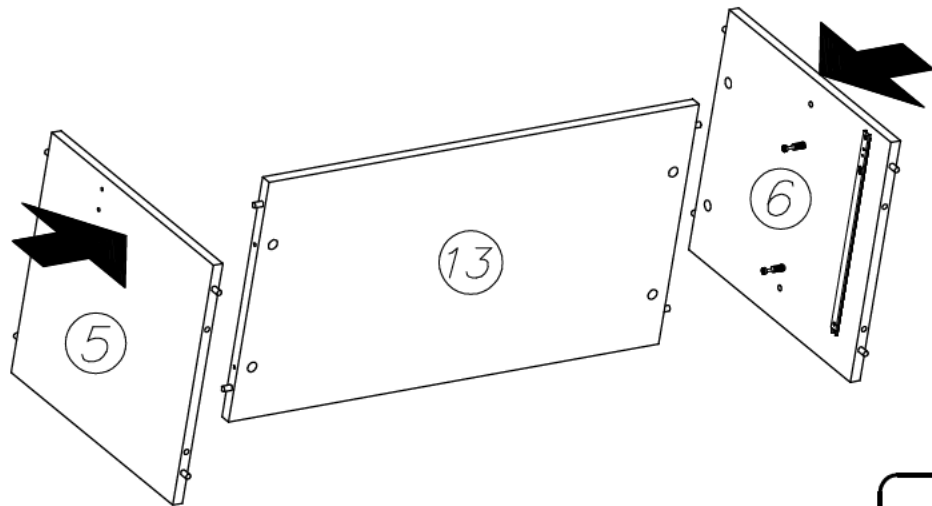


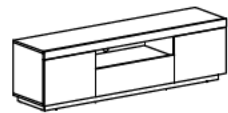
F15



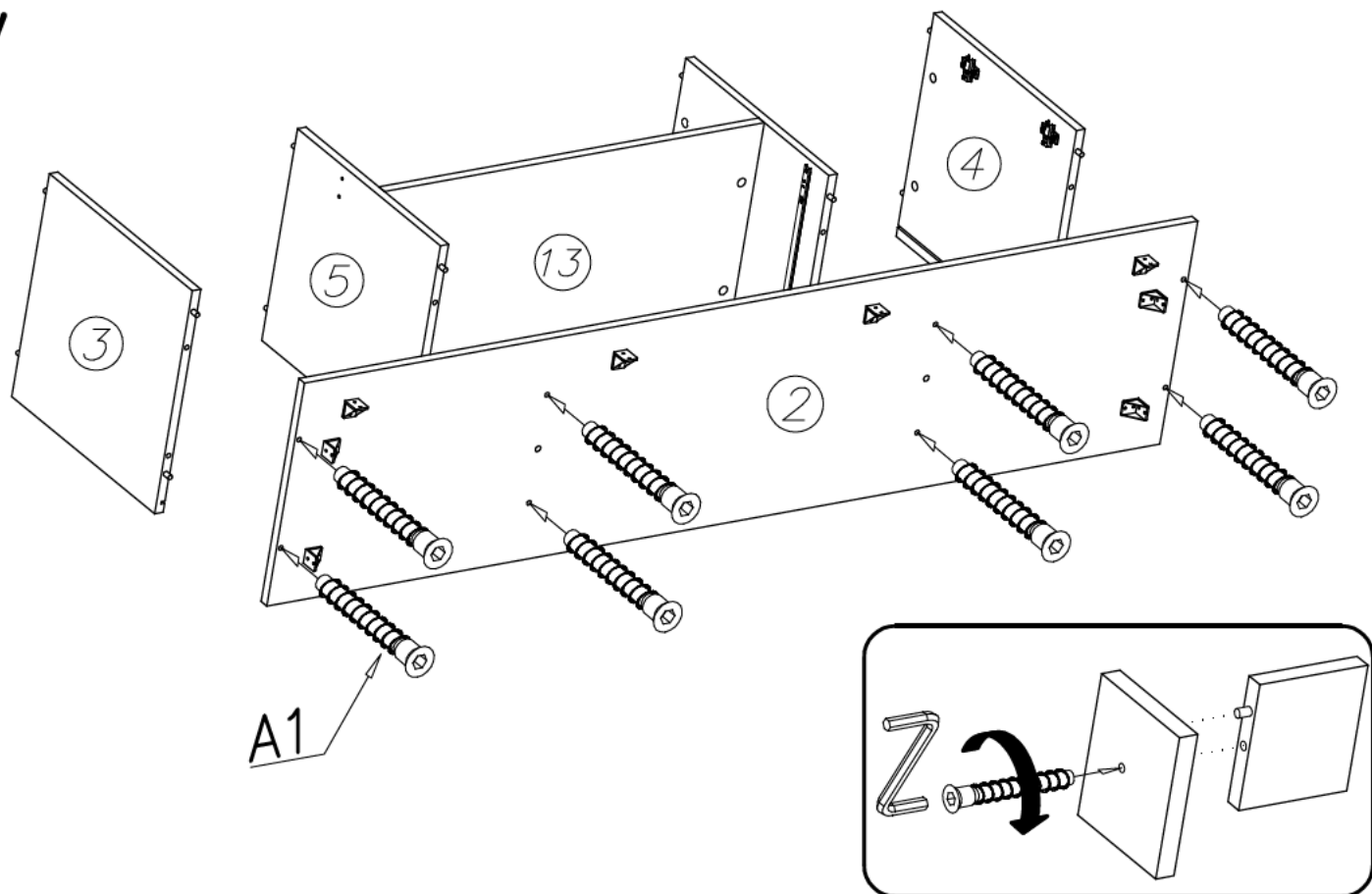


IV

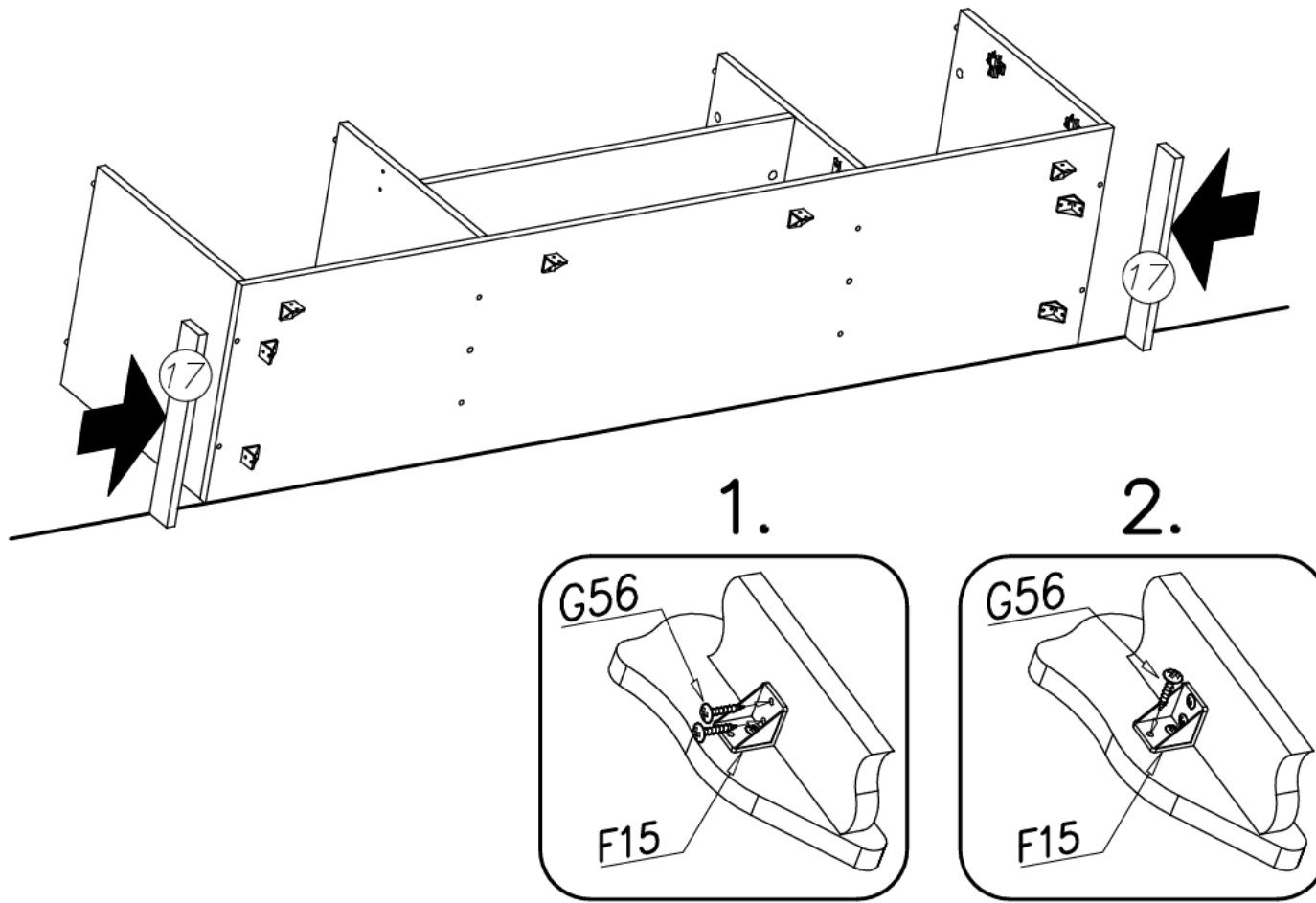


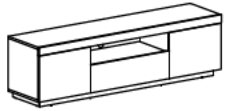


V

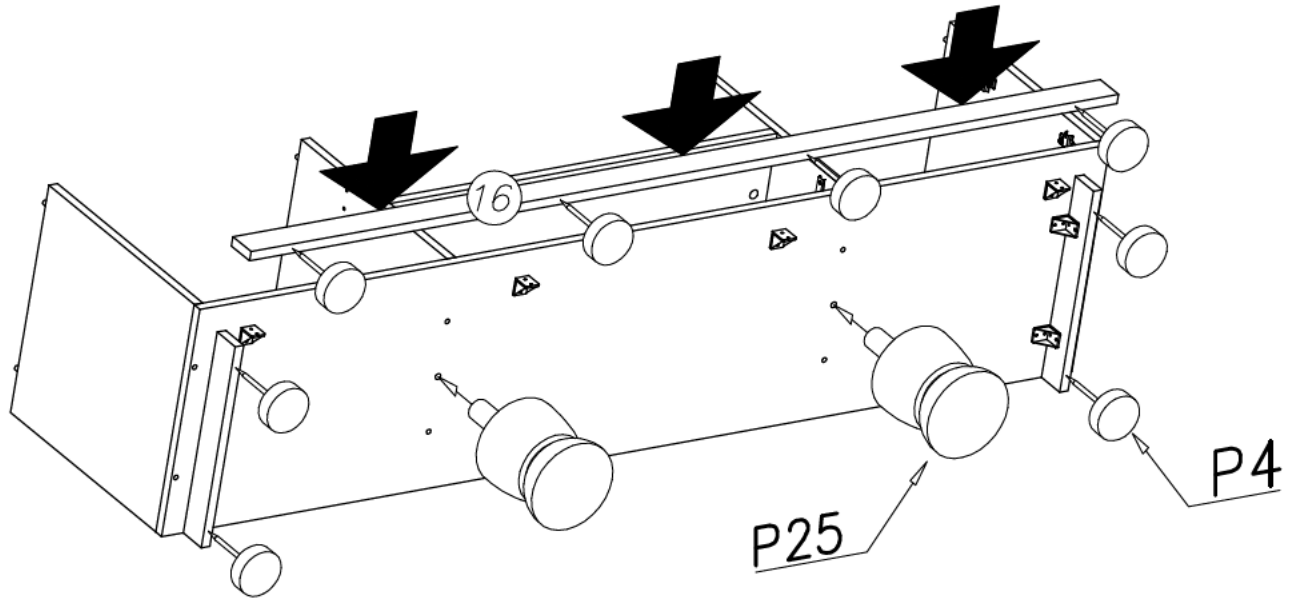


VI





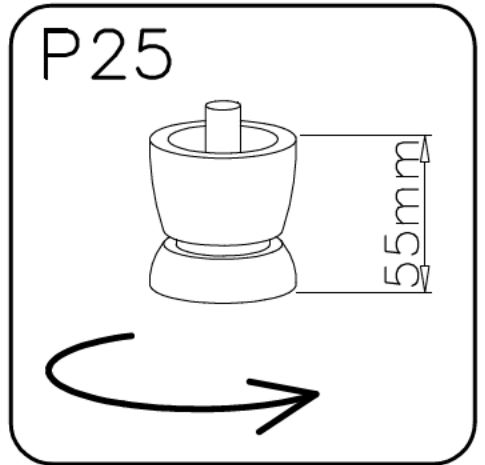
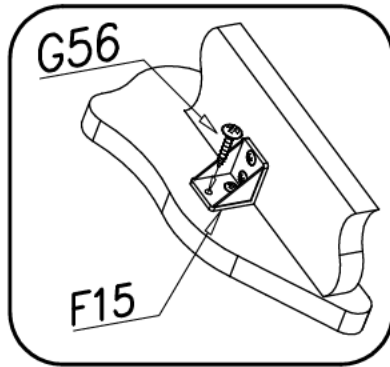
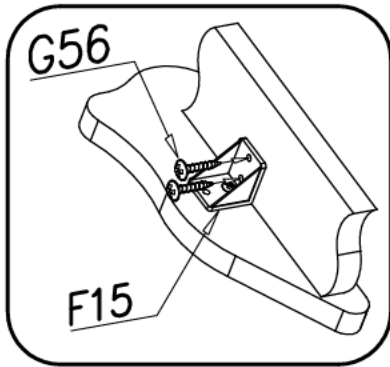
VII



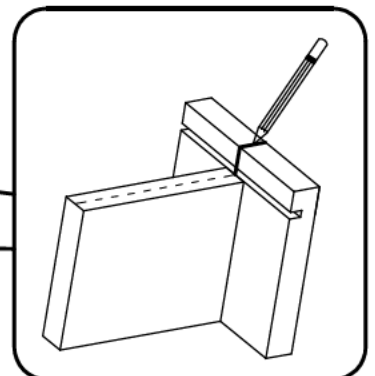
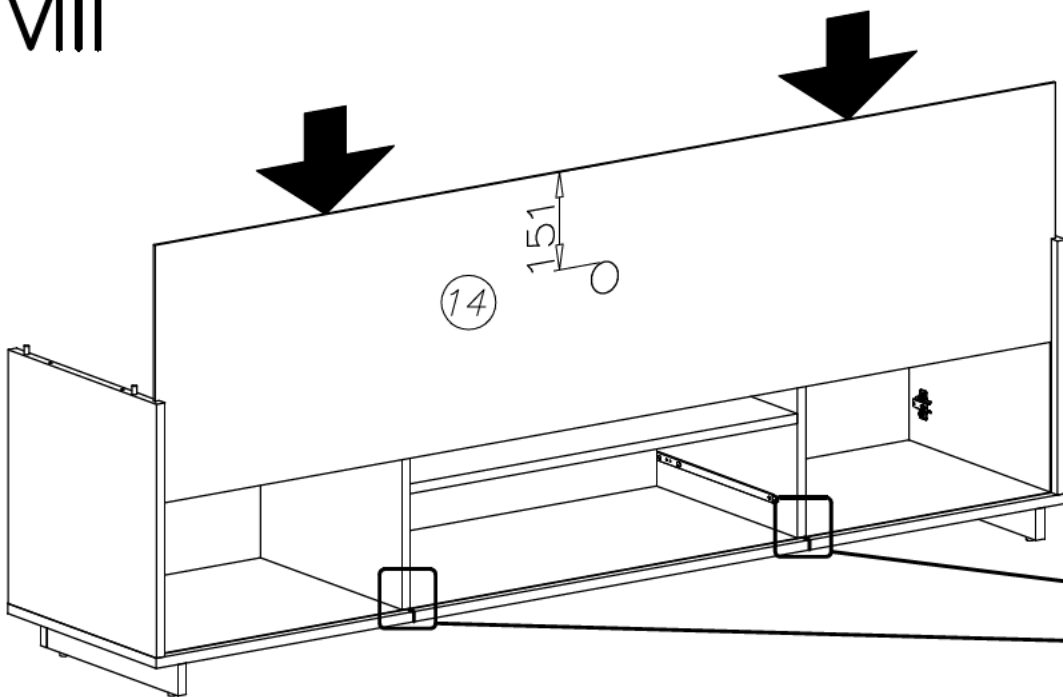
1.

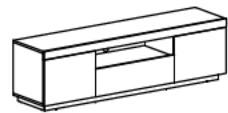
2.

P25

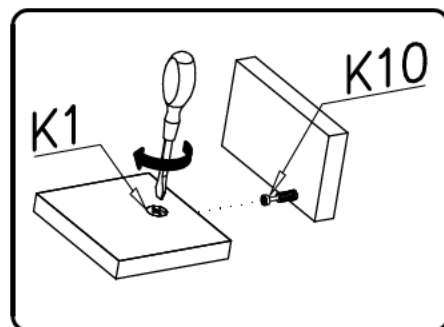
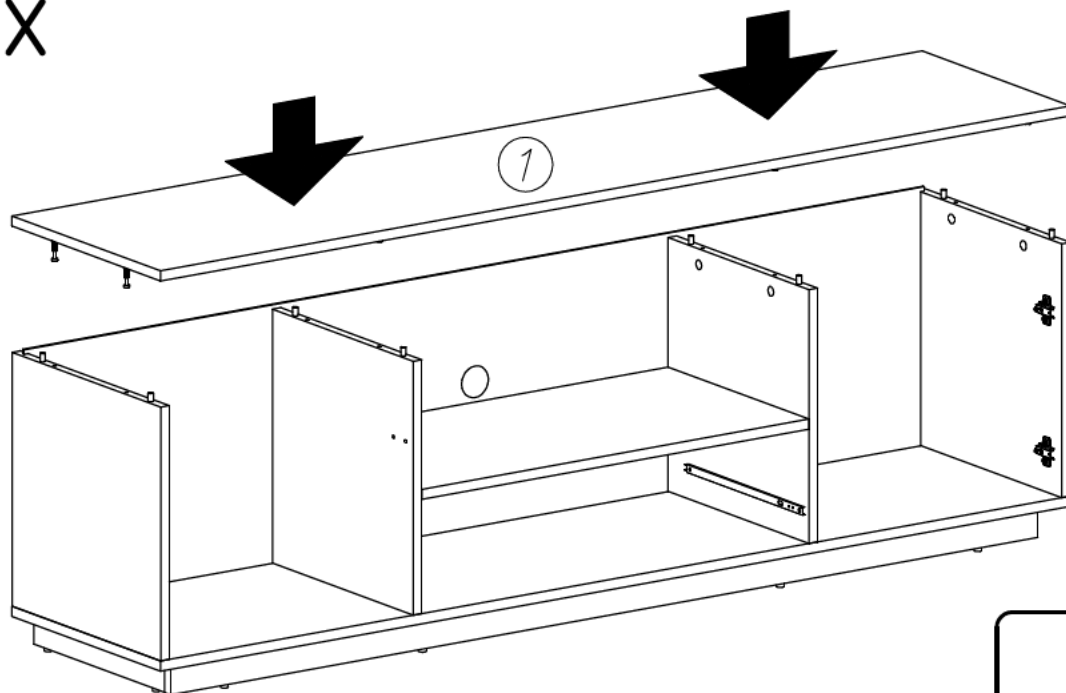


VIII

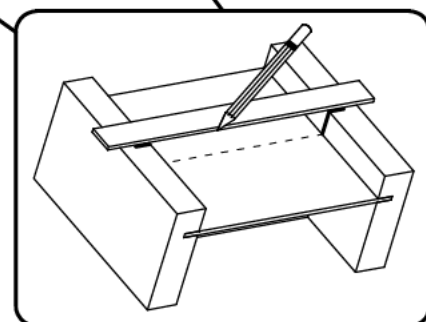
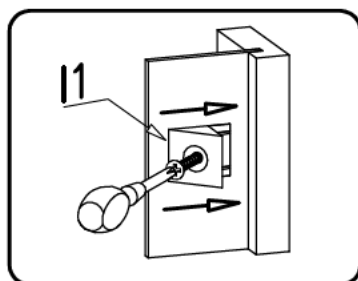
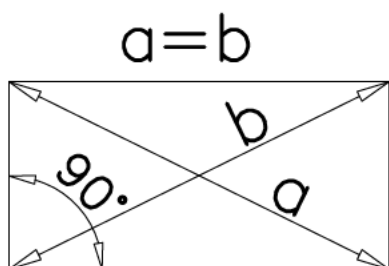
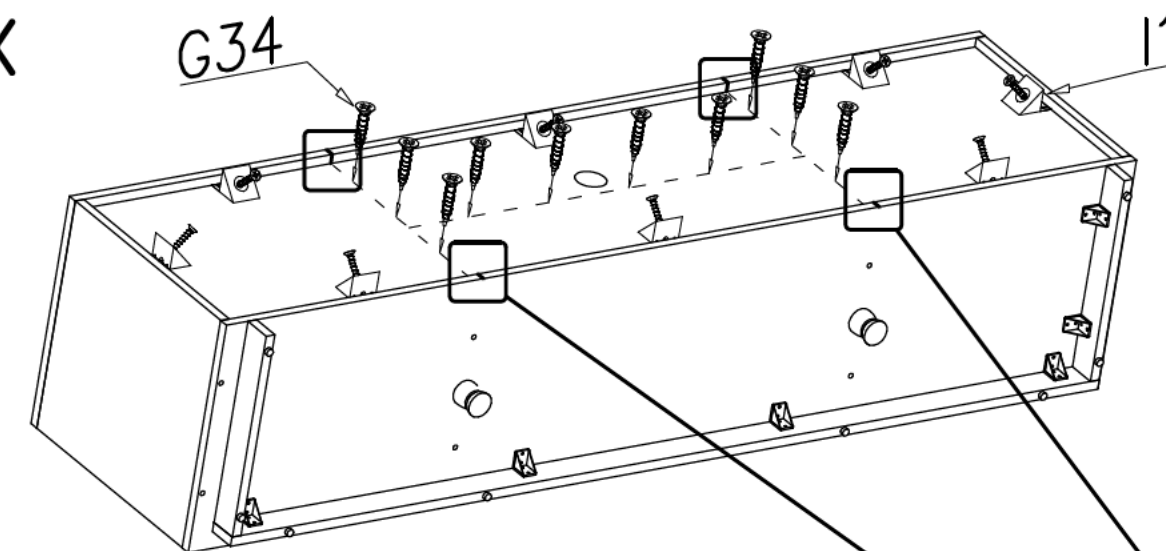


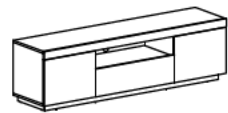


IX

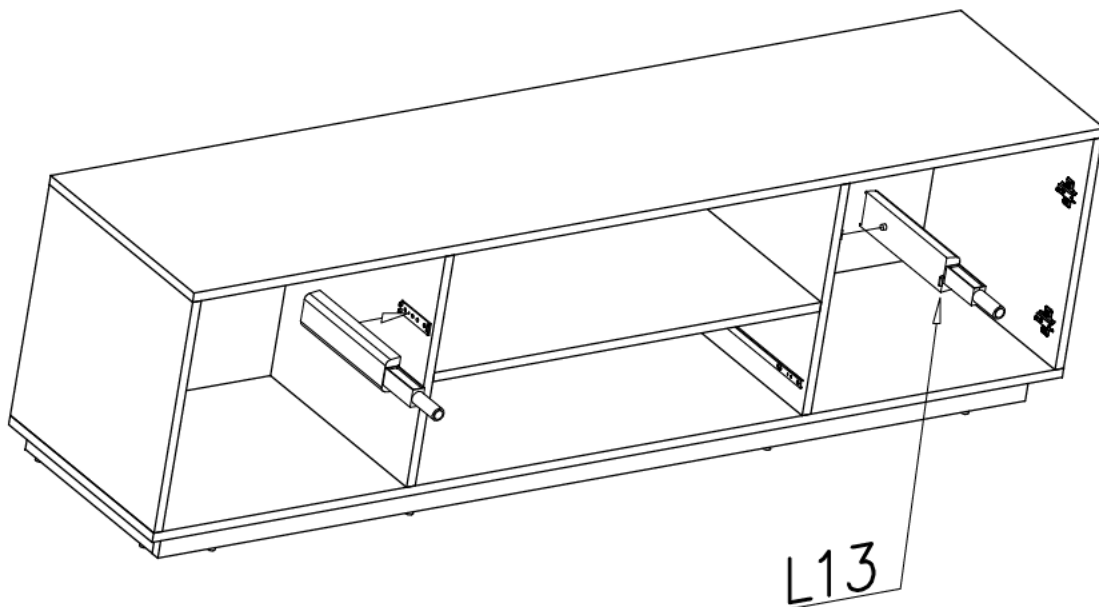
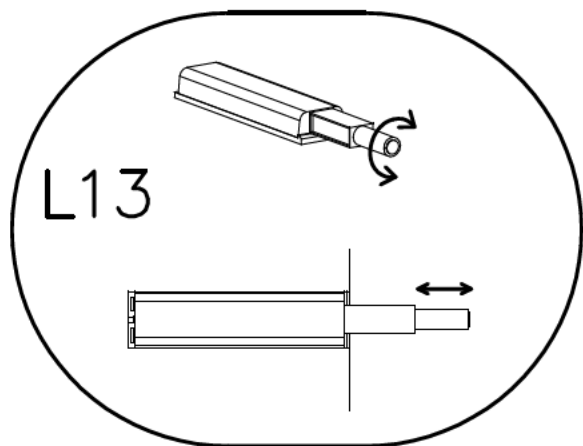
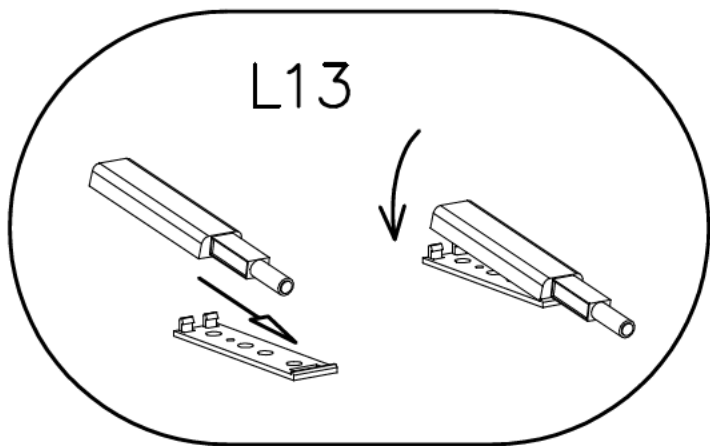
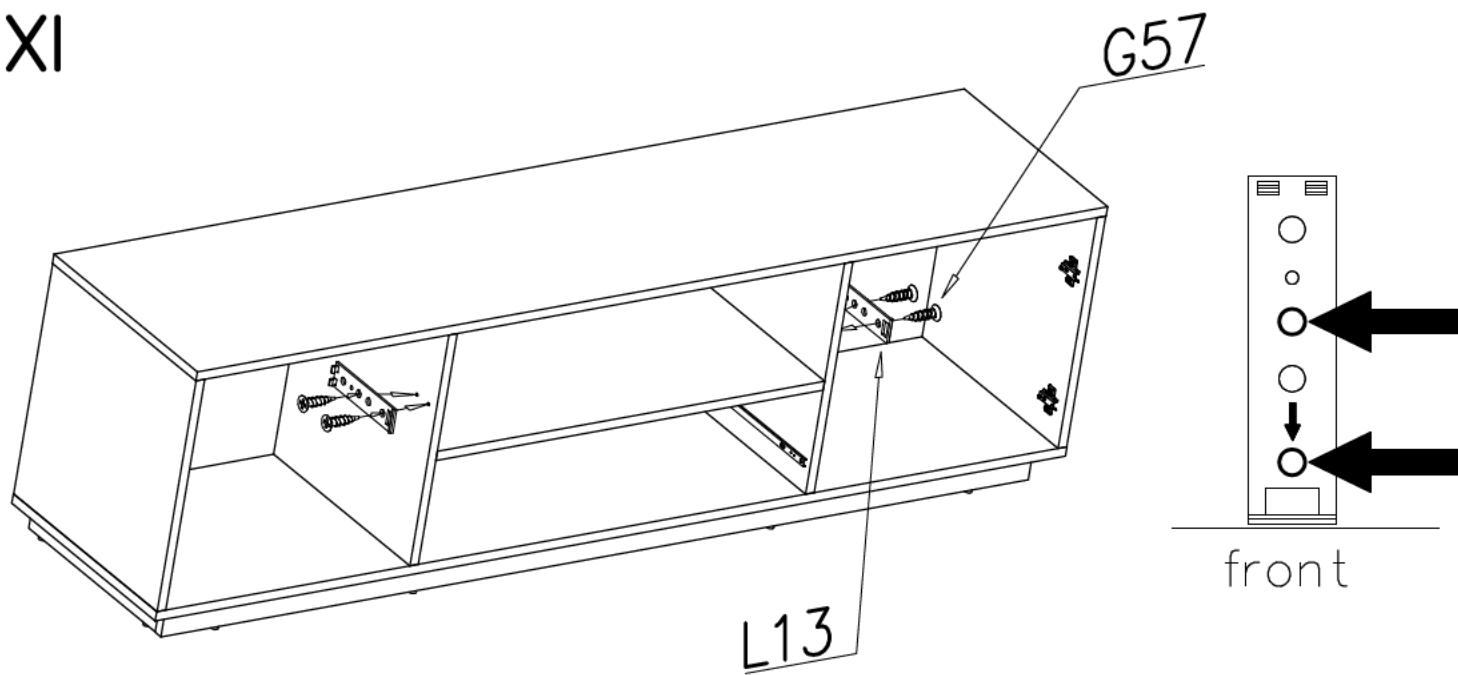


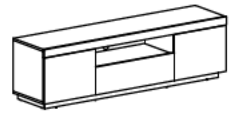
X



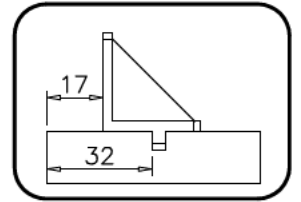
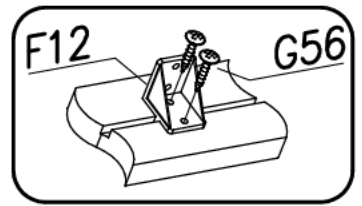
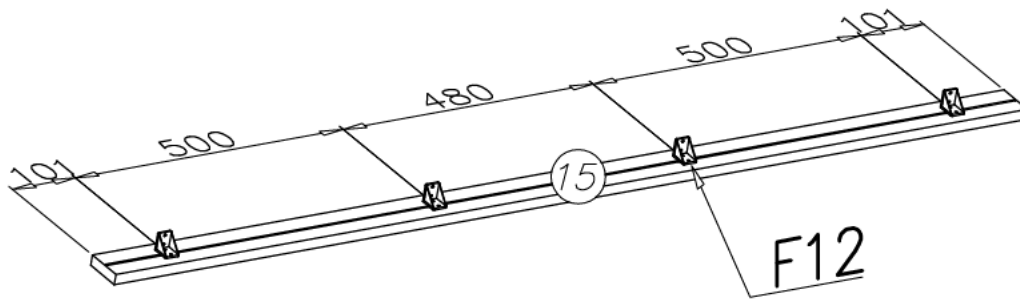


XI

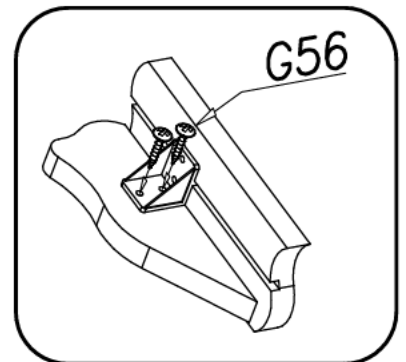
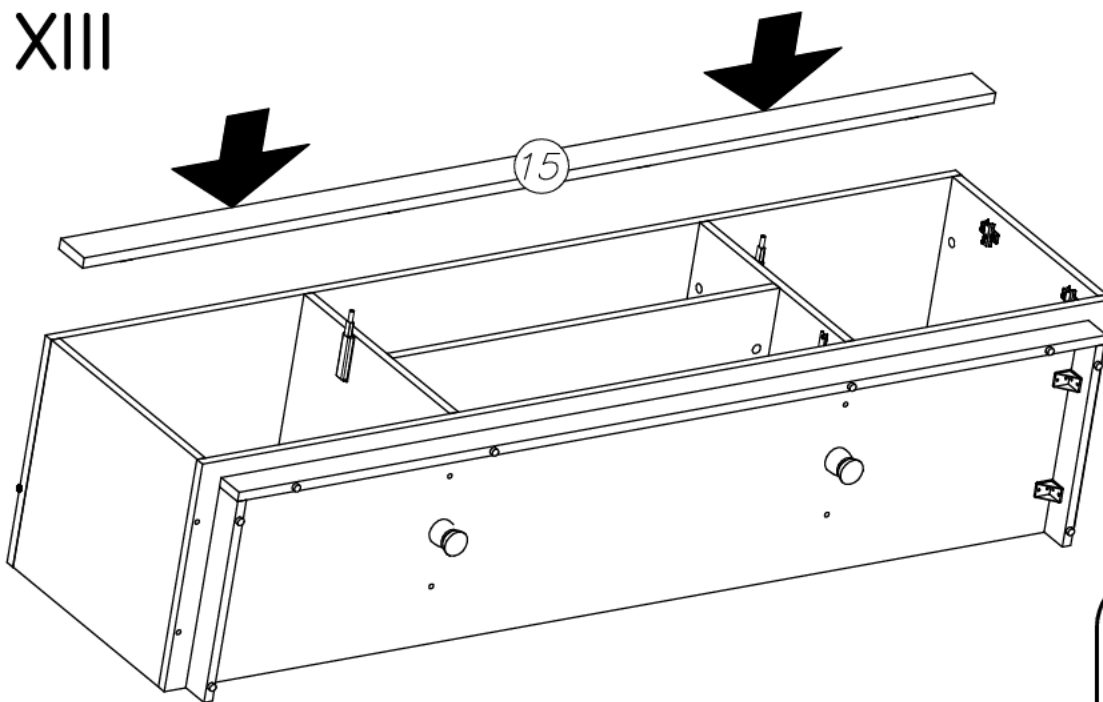




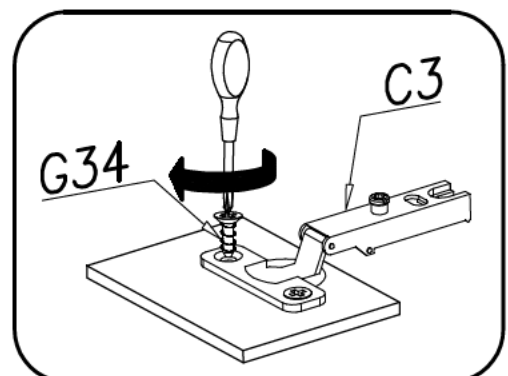
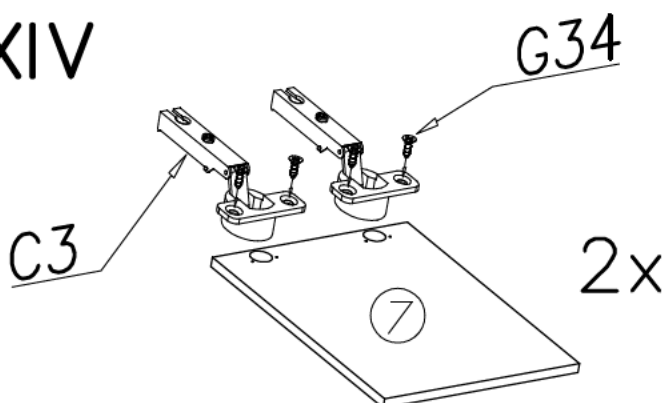
XII

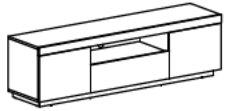


XIII

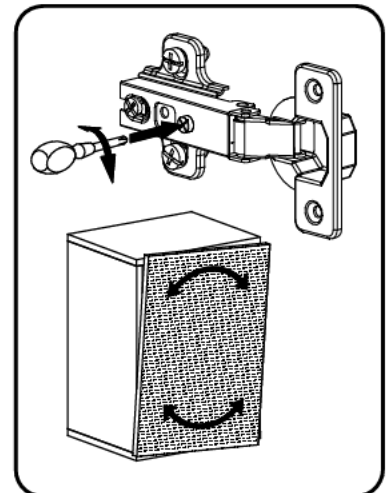
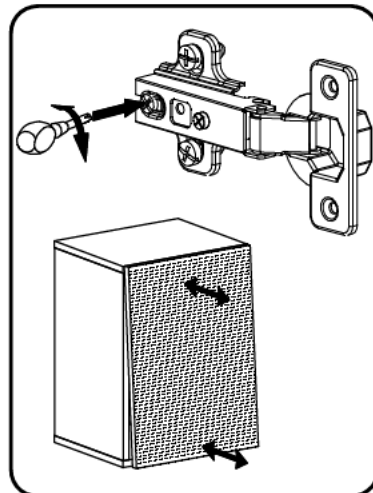
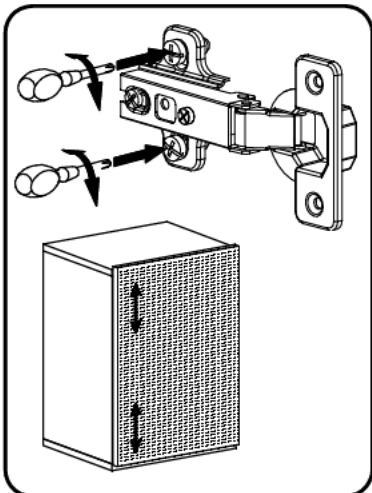
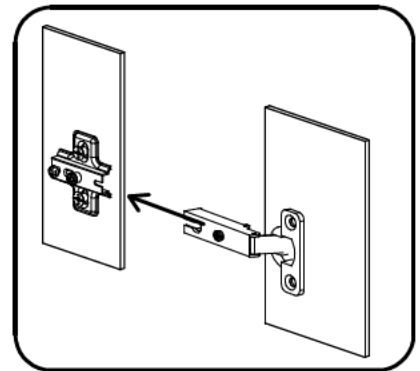
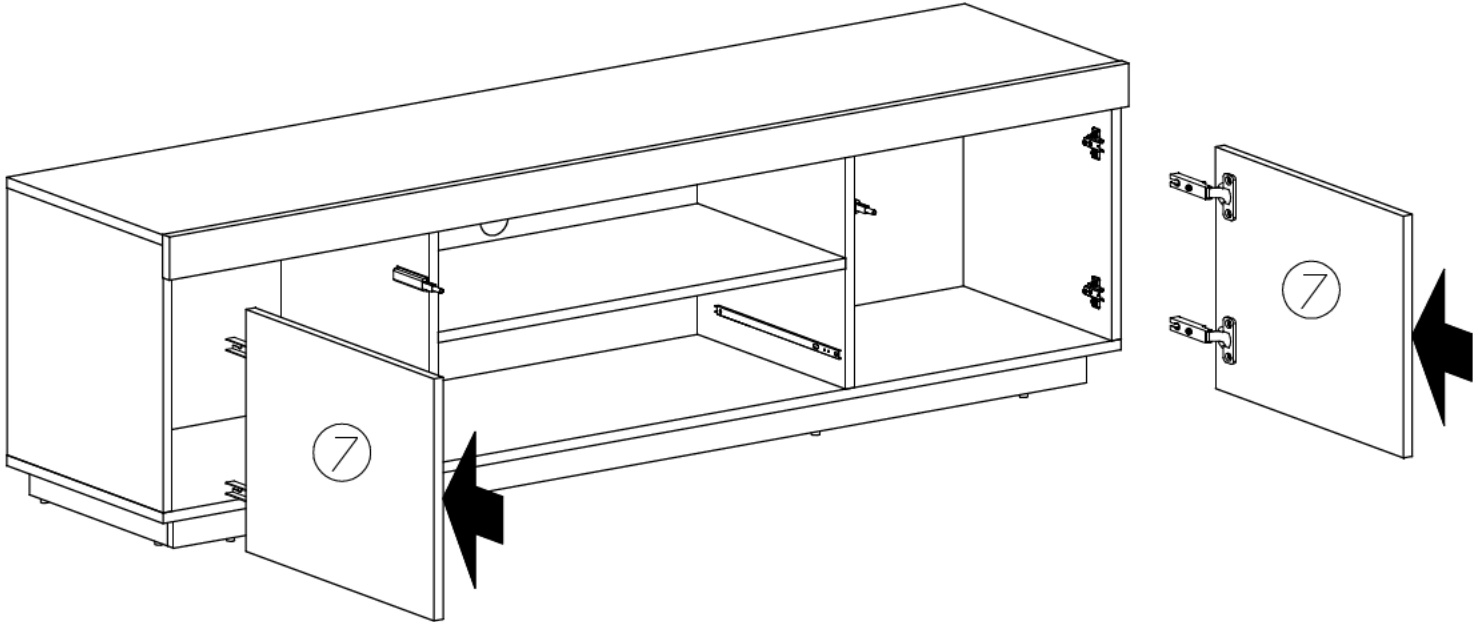


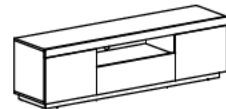
XIV





XV





XVI

