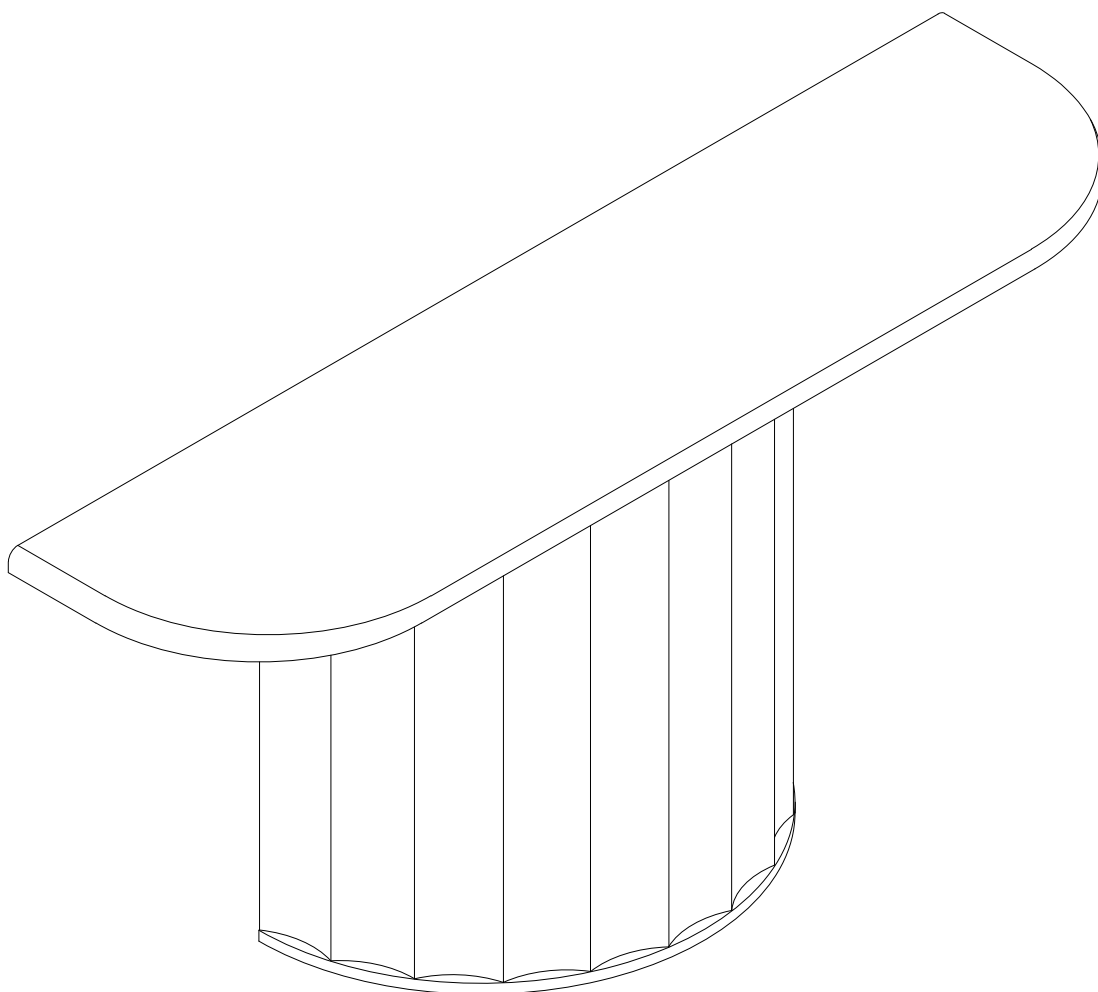


# Assembly Instructions

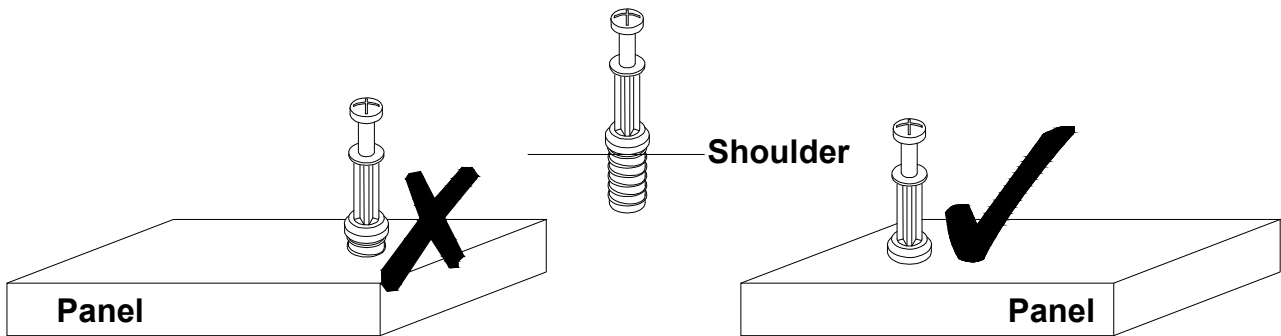


# Before Assembly

## Tips Before Your Start:

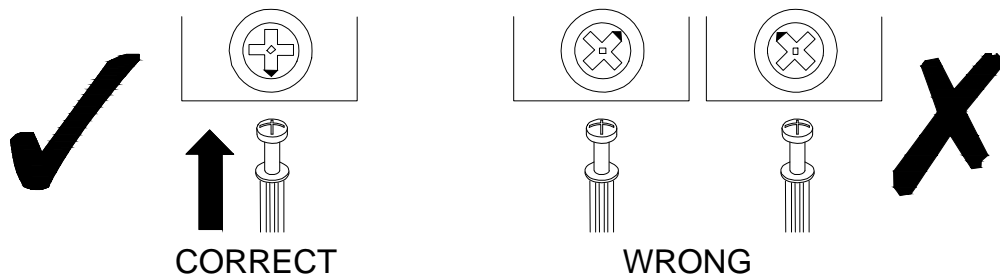
- Remove all wrapping material, including staples & packing straps before you start to assemble.
- DO NOT tighten all screws and bolts until the assembly is completely assembled.
- Keep all hardware parts out of reach of children.

## QUICKFIT



Tighten quickfit until shoulder is flush with panel. Do not overtighten or undertighten.

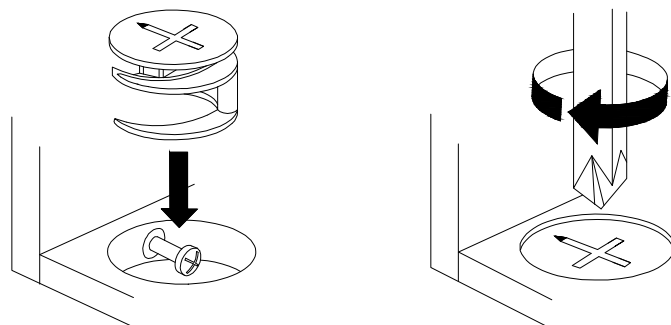
## CAM LOCK



When fitting a cam lock, ensure the starting position is correct before inserting the connecting QUI CKFIT


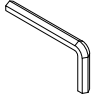
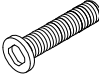
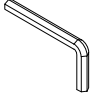

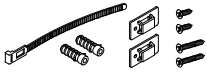
Quickfit head should be in the centre of the cam lock when the two panels are joined.

Cam lock should be inserted before quickfit.

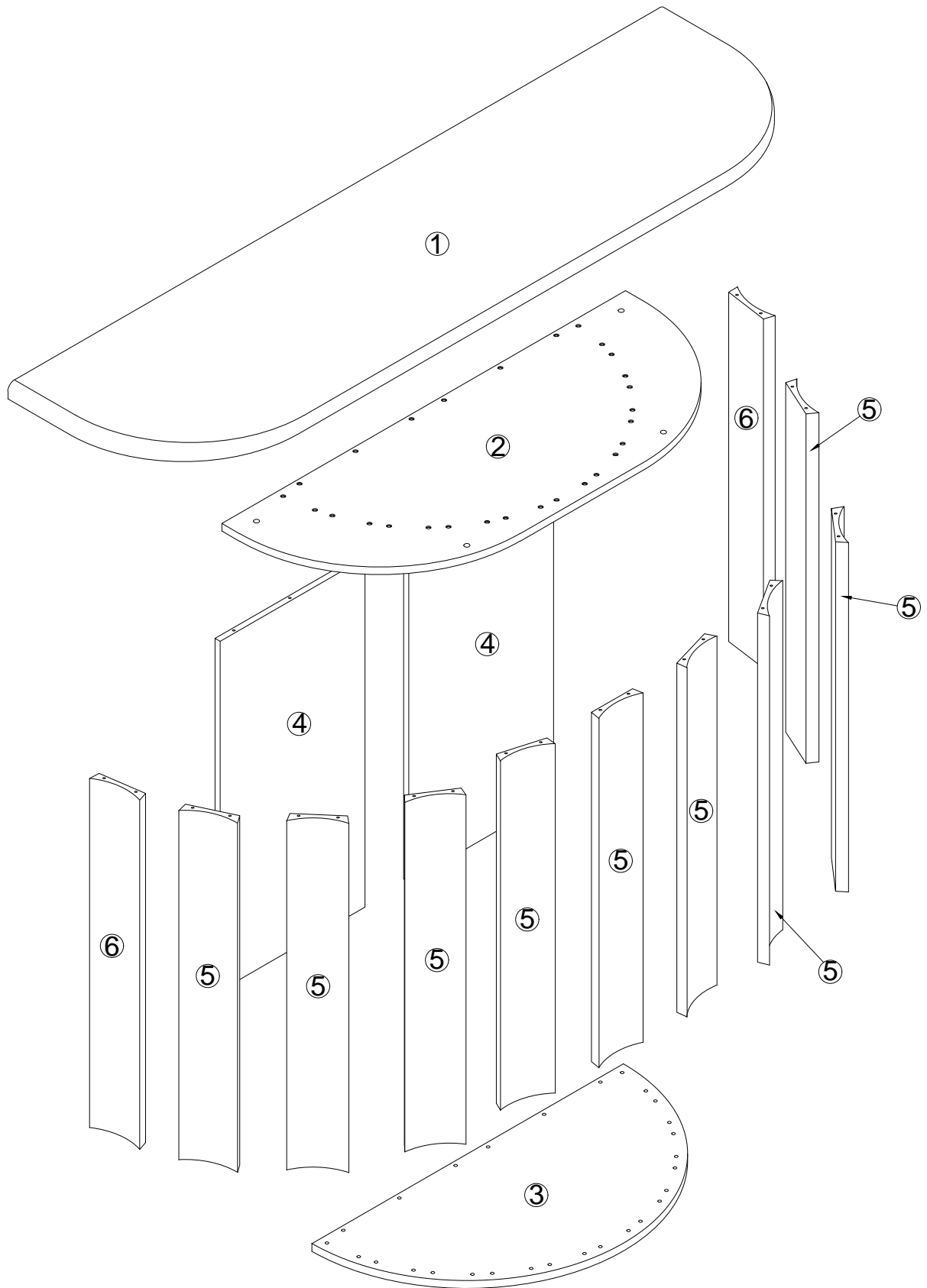


Turn cam lock clockwise to tighten.

# Part List

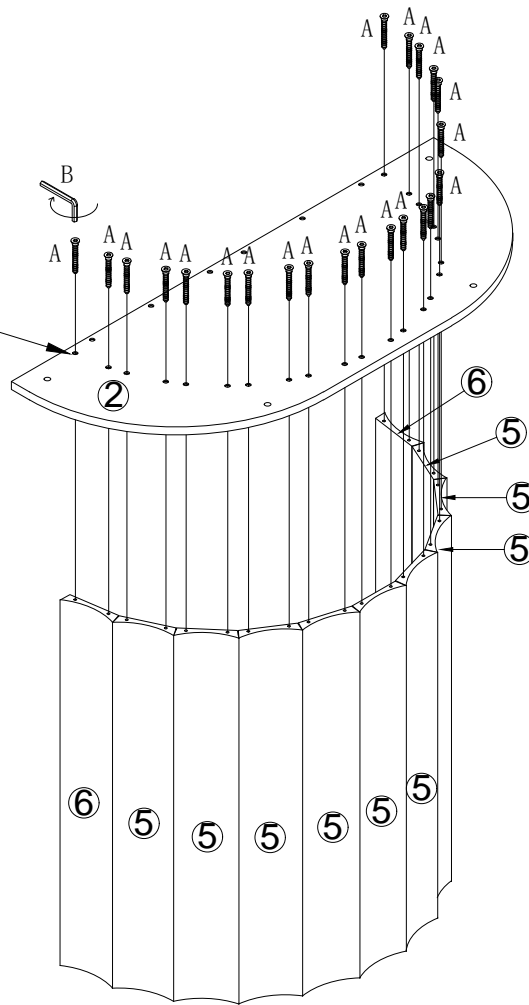
<p><b>No. A</b> Quantity: 56 Pcs Screw M5*40mm</p> 	<p><b>No. B</b> Quantity: 1 Pcs Allen Key 3#</p> 	<p><b>No. C</b> Quantity: 4 Pcs Screw M8*25mm</p> 	<p><b>No. D</b> Quantity: 1 Pcs Allen Key 5#</p> 
<p><b>No. E</b> Quantity: 4 Pcs Foot Pad Ø20</p> 	<p><b>No. F</b> Quantity: 2 Sets Anti-falling Parts</p> 		

# Product structure



# STEP 1

Note: The side with the countersunk holes should be facing up, it is better to assemble it this way.



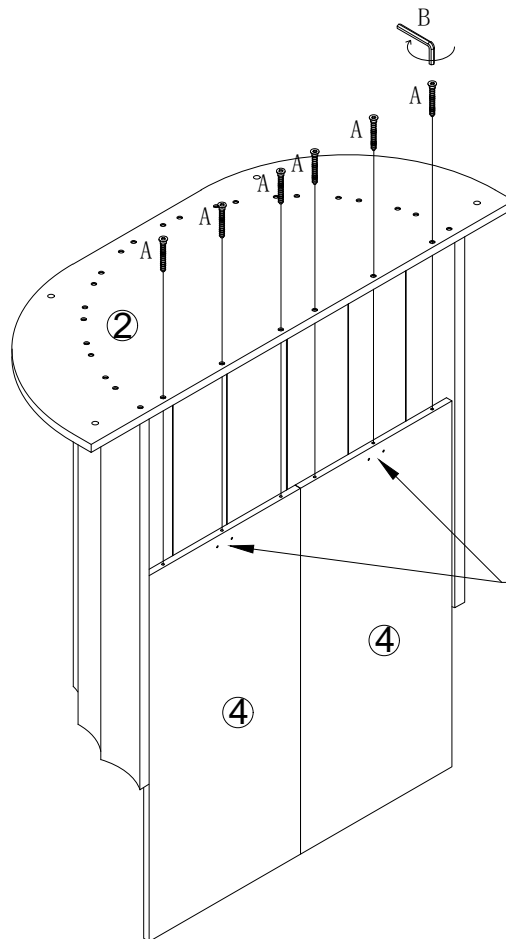
No. A  
Quantity: 22 Pcs  
M5\*40mm



No. B  
Quantity: 1 Pcs  
3#



# STEP 2



No. A  
Quantity: 6 Pcs  
M5\*40mm

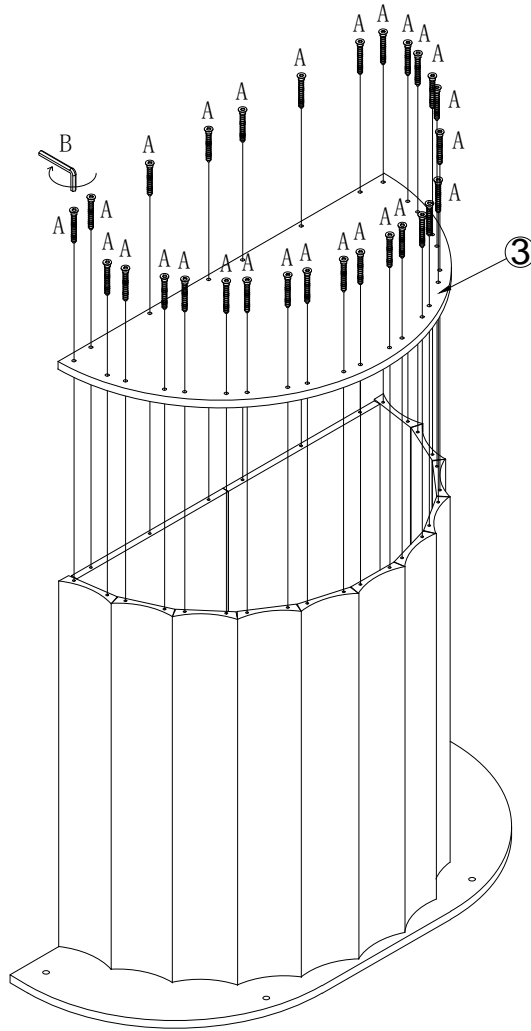


No. B  
Quantity: 1 Pcs  
3#



Please note that the two pilot holes are positioned facing up!

# STEP 3



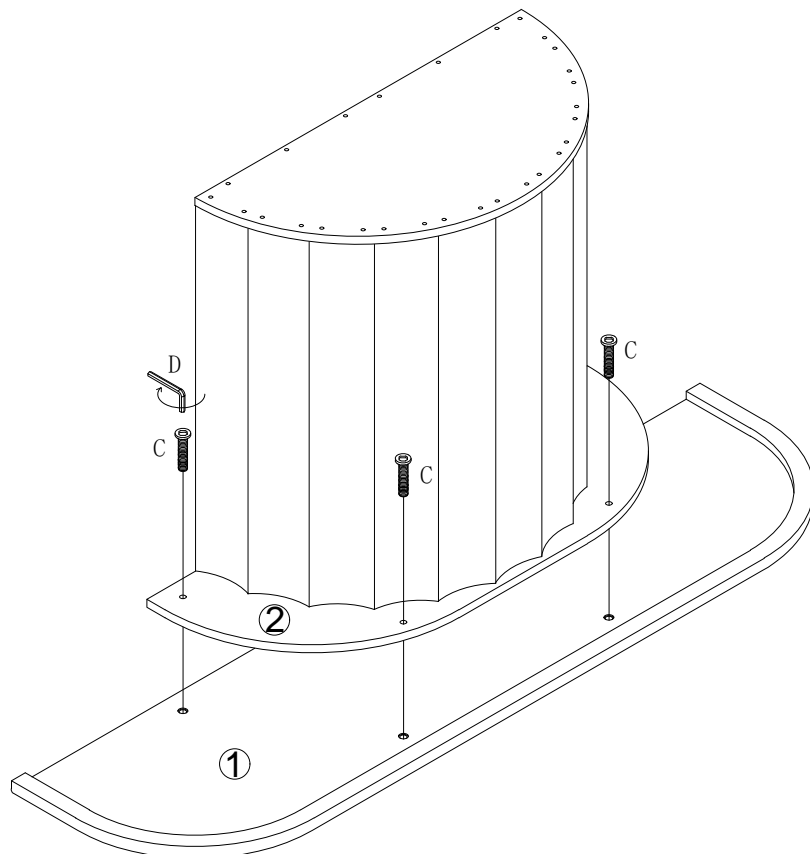
No. A  
Quantity: 28 Pcs  
M5\*40mm



No. B  
Quantity: 1 Pcs  
3#



# STEP 4



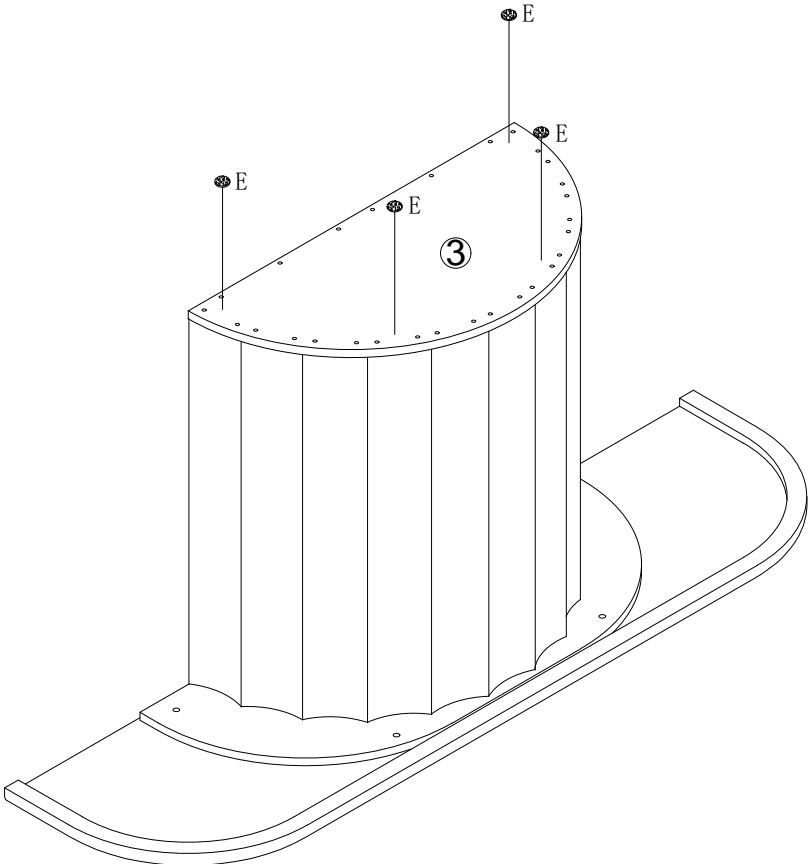
No. C  
Quantity: 4 Pcs  
M8\*25mm



No. D  
Quantity: 1 Pcs  
5#



# STEP 5



No. E  
Quantity: 4 Pcs  
Ø20



# STEP 6

