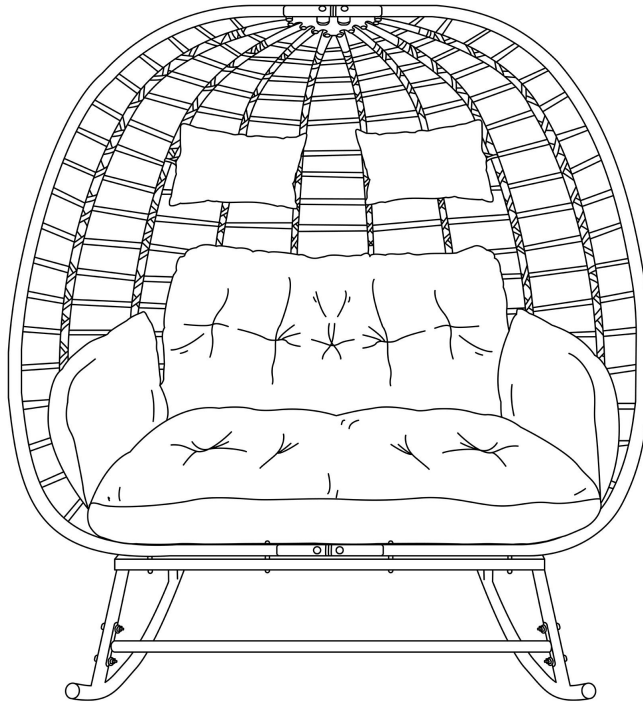


# Double Wicker Rocking Chair Installation Instructions



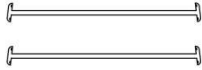
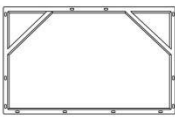







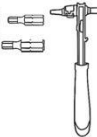
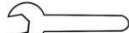

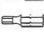


Scan to watch  
install video

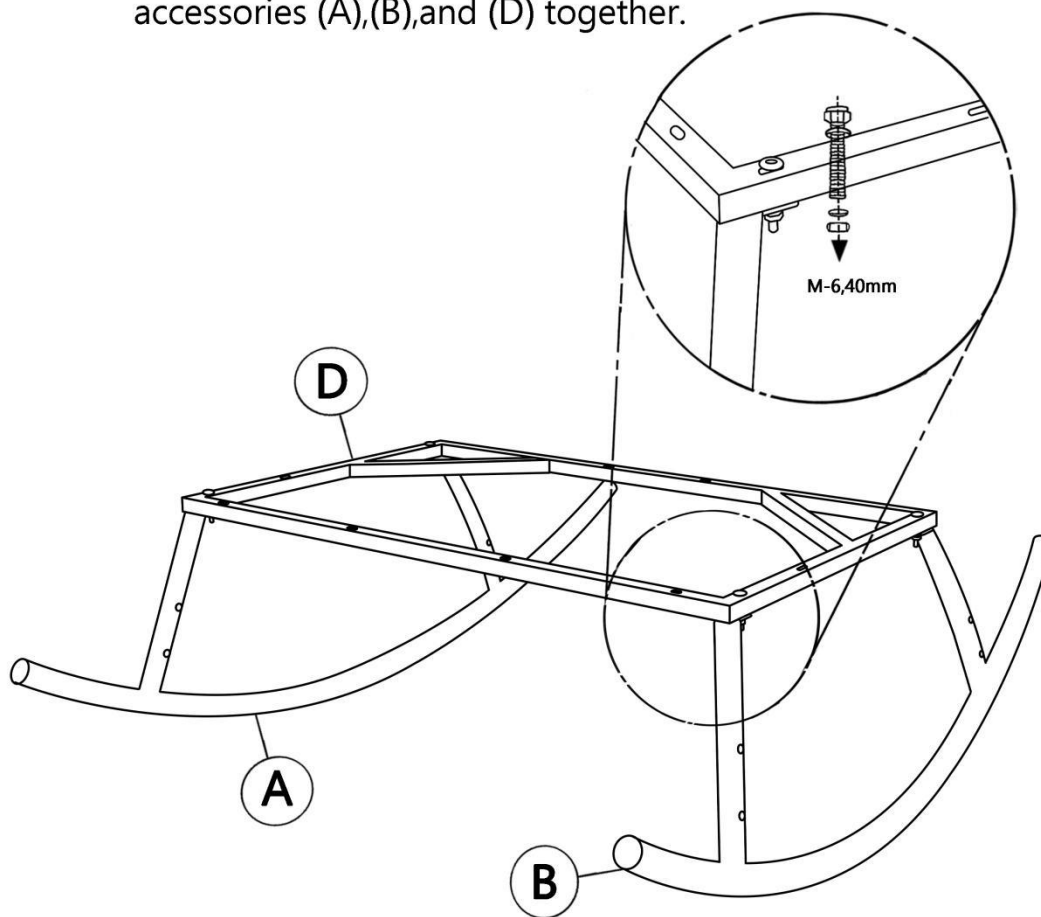
Online Support: [kanel\\_service@outlook.com](mailto:kanel_service@outlook.com)

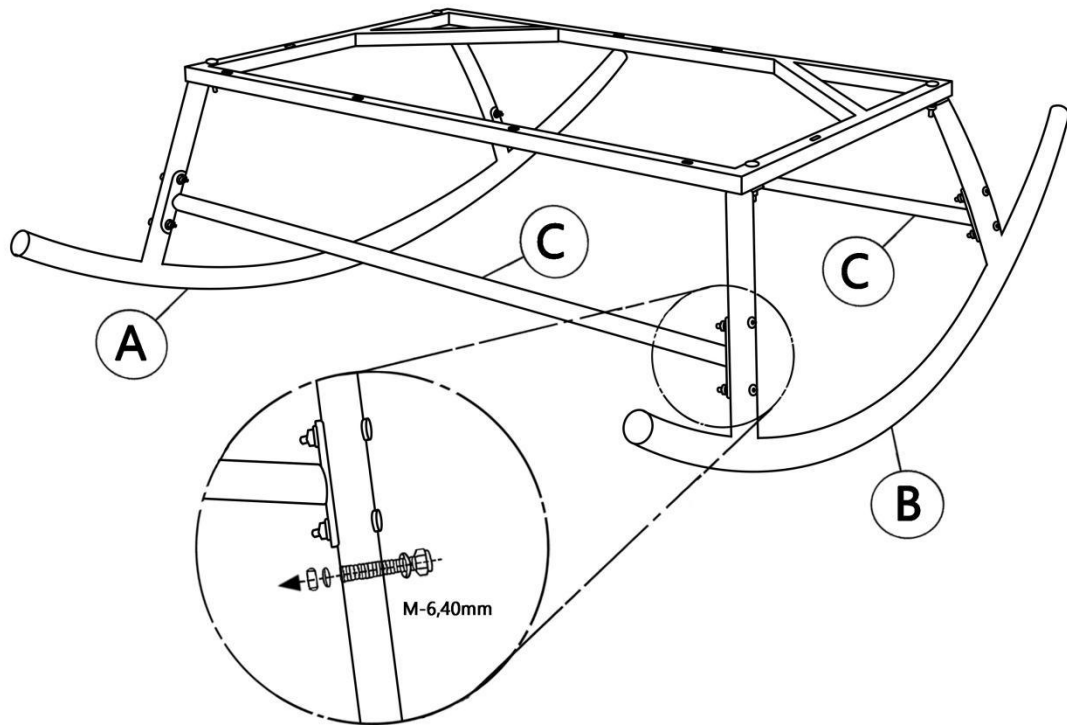
Feel free to contact Installation Instructor Team!

# Parts List

Accessories						
	A	1	B	1	C	2
						
	D	1	E	1	F	1
Tools						
	M-6,40mm	16	M-6,55mm	8	M-8,20mm	4
	M-6 		M-8 		M-6 	
	M-8 		M-6 		M-8 	
	Wrench		Hexwrench		Ratchet Wrench	
<p><b>Tips: Confirm all components are present before installation</b></p>						

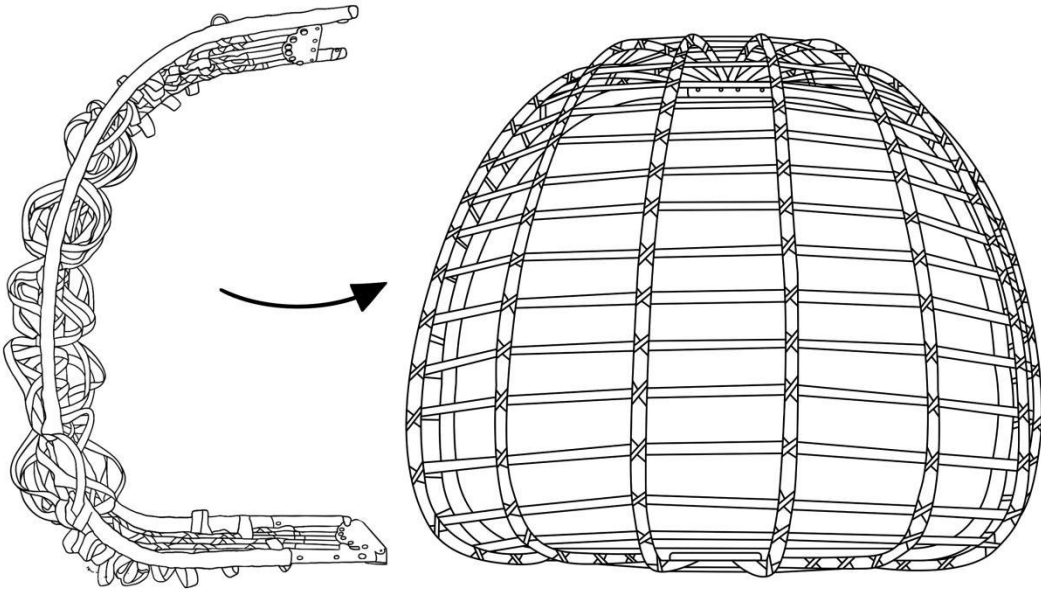
Step 1: Use 4 (M6,40mm) screws to assemble accessories (A),(B),and (D) together.

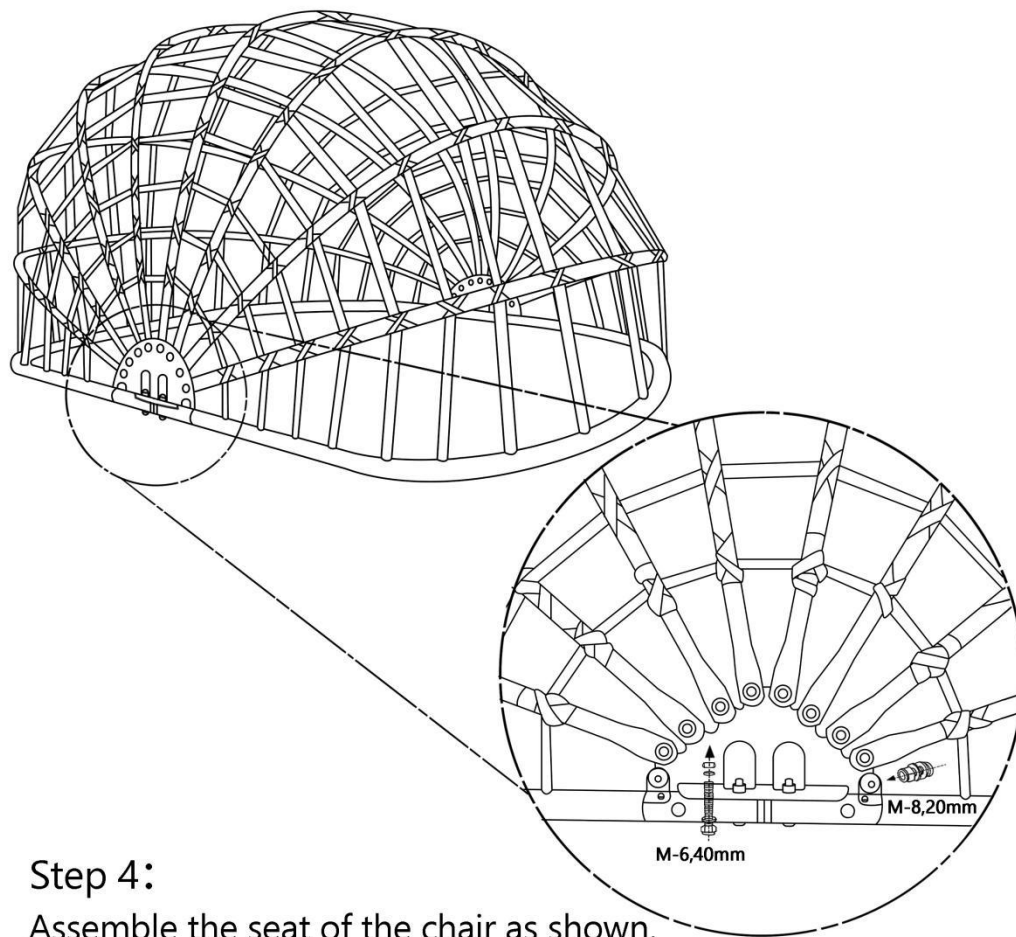




Step 2: Use 8 (M6,40mm) screws to assemble accessories (A),(B),and (C)together.

Step 3: Simply flip the chair base (E) over.





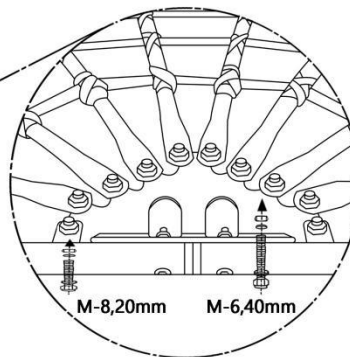
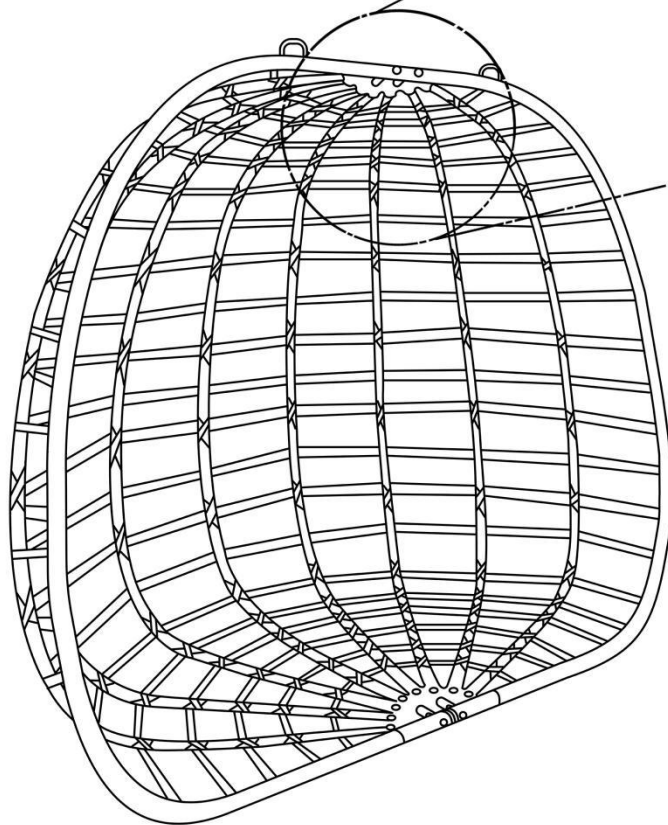
Step 4:  
Assemble the seat of the chair as shown.

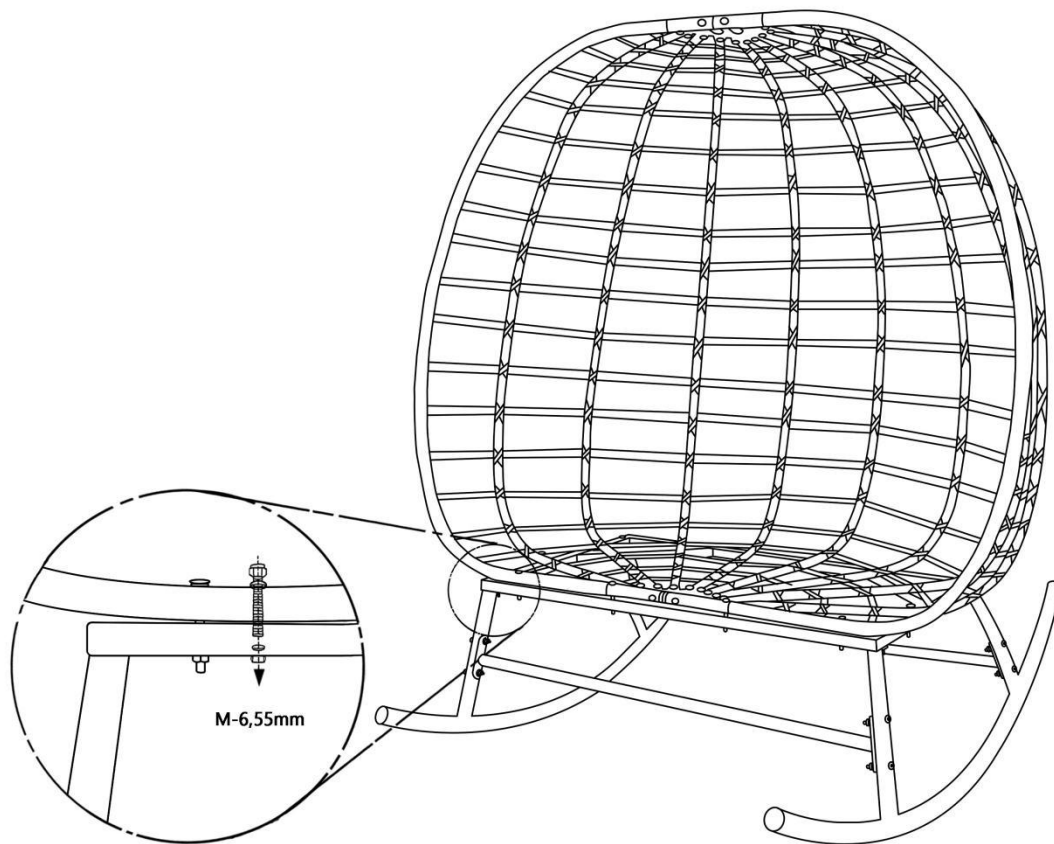
Installation of 2 (M-8,20mm), 2 (M-6,40mm)

Step 5:

Installation of 2 (M-8,20mm)

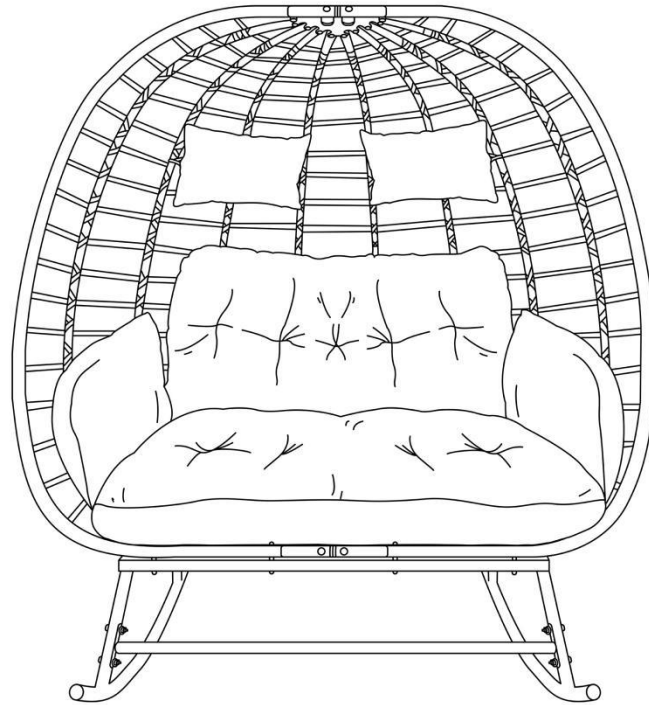
2 (M-6,40mm)



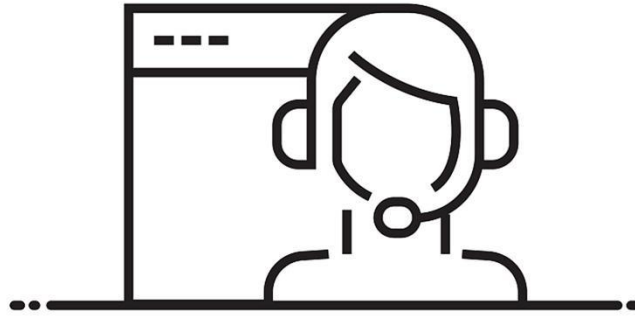


Step 6:

Use 8 (M6,55mm) screws to secure the basket (E) to the base.



# Double Wicker Rocking Chair



## ONLINE SUPPORT

Please read the installation guide carefully before installation  
If you have any questions during the installation process  
you can contact us and we will provide you a detailed guidance

**Online Support:** [kannel\\_service@outlook.com](mailto:kannel_service@outlook.com)