



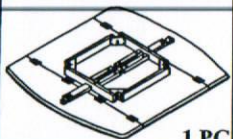



ASSEMBLY INSTRUCTION








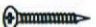


Description: DROPLEAF BISTRO TABLE

Dimension: W.36"x D.20"(38")x H.36"

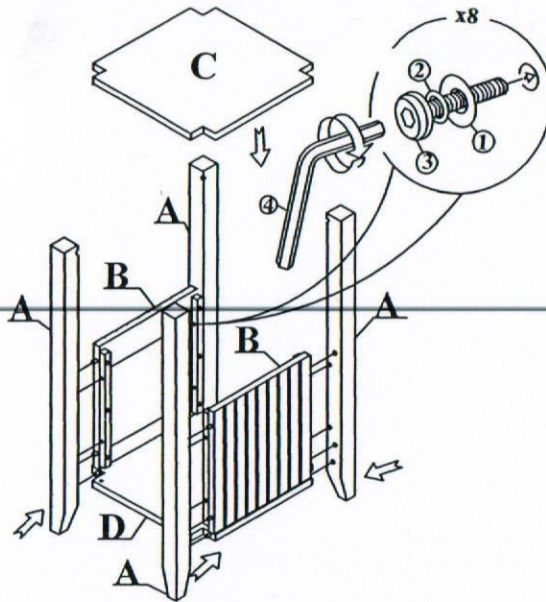
LIST OF PARTS

| | | |
|---|--|---|
| A TABLE LEGS  L:2PCS R:2PCS | B SIDE PANEL  2 PCS | C TOP PANEL OF BOX BASE  1 PC |
| D BOTTOM PANEL OF BOX BASE  1 PC | E TABLE TOP WITH APRON  1 PC | F DOOR PANEL  2 PCS |

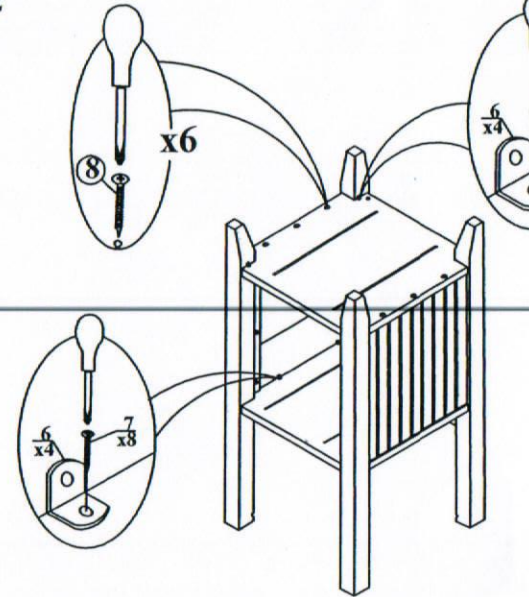
LIST OF HARDWARE

| | |
|--|--|
| 1 FLAT WASHER  Ø6/Ø16 12PCS | 2 LOCK WASHER  Ø6xØ9 12 PCS |
| 3 SHORT BOLT  M6x40MM 8 PCS | 4 ALLEN KEY  4MM 1 PC |
| 5 LONG BOLT  M6X50MM 4PCS | 6 L-BACKET  8 PCS |
| 7 SHORT SCREW  M3.5x15MM 16 PCS | 8 LONG SCREW  M4x30MM 6 PCS |
| 9 WOOD KNOB  Ø35 MM 2 PCS | 10 PAN HEAD SCREW  M4X35 mm 2 PCS |

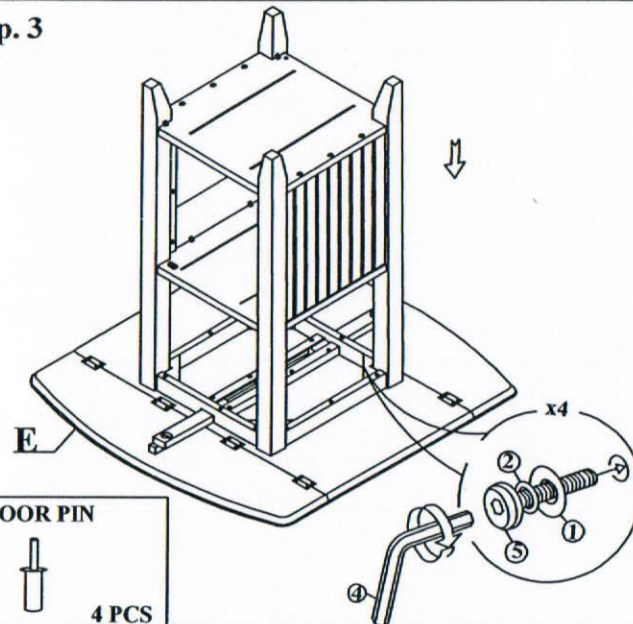
Step. 1



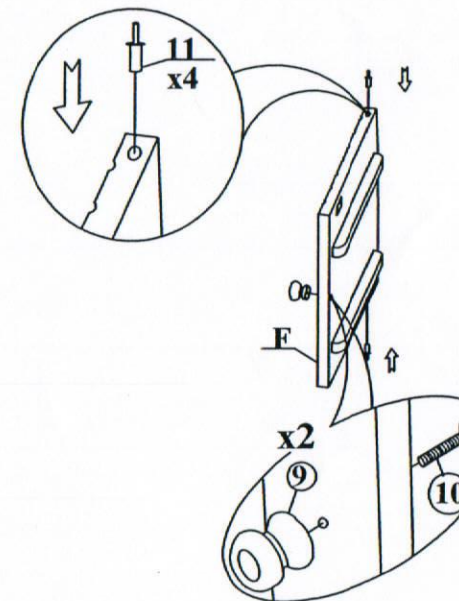
Step. 2



Step. 3



Step. 4

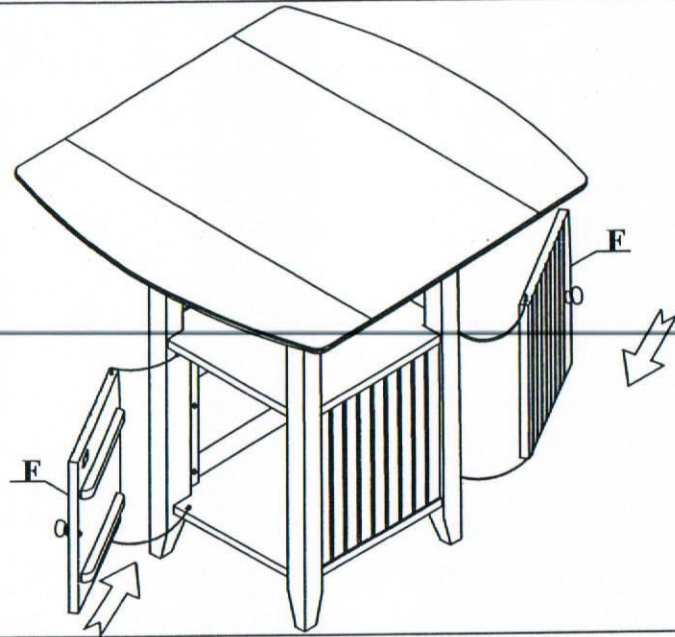


ASSEMBLY INSTRUCTION

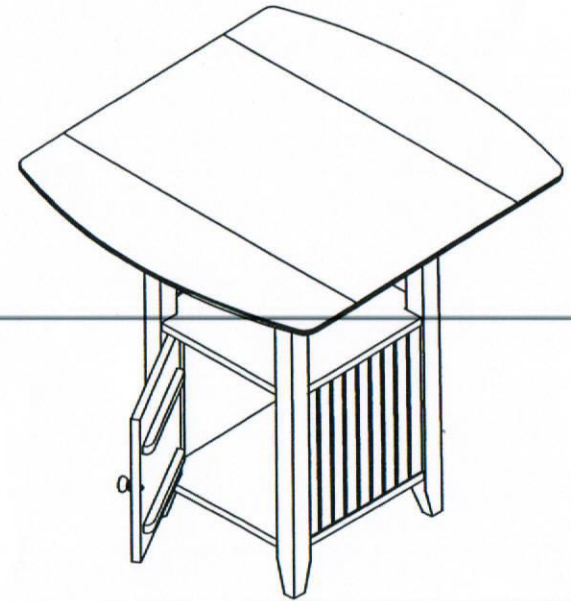
Description: DROPLEAF BISTRO T.

Dimension: W.36"x D.20"(38")x H.36"

Step. 5



Step. 6



Step. 7



Step. 8

