



## PARASOL BASE

# SAFETY & WARNINGS

- Never use water fill if your climate goes below freezing.
- Don't stand or jump on base.
- In high winds we recommend taking umbrella down to protect umbrella and avoid it tipping over.
- When filled with water or sand base is heavy, avoid moving and dropping.

# COMPONENTS



A: Bar (x1)



B: Bar (x1)



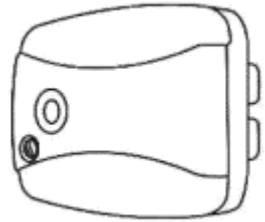
C: Screw (x4)



D: Wrench (x1)



E: Screw (x5)



F: Umbrella Base  
(x1)

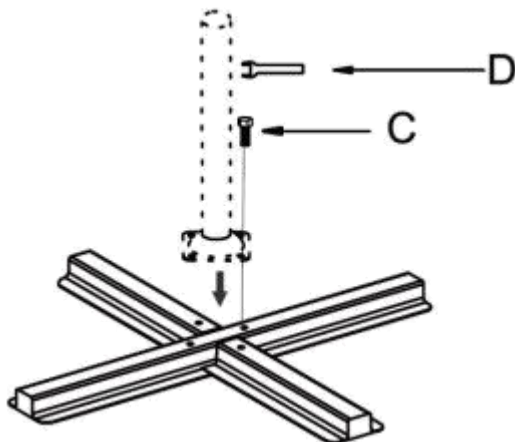
# INSTRUCTIONS

- Unbolt vertical pole from existing metal cross base.
- Slide new water weight over pole with top first.
- Bolt on your new metal cross base to bottom of pole.
- Stand up umbrella and fill with water or sand.
- Sand is heavier than water so if in windy area we recommend using sand. Also if you have a cold climate always use sand as the water will freeze and can damage the housing.

# INSTALLATION

## Step 1

Attach bar (A) to bar (B) with screws (C) using the wrench (D).



## Step 2

Align umbrella base (F) with the assembled part of step 1.



### Step 3

Tighten the assembled part of step 1 to umbrella (F) with screws (E).



# CLEANING & CARE

- Regular application of a water displacing and penetrating oil to the metal parts of the umbrella base will help to protect them against surface corrosion (remember to treat the bolt and washers on the underside of the base).
- Regular application of a plastic protectant to the base will help to protect it against damage from the harsh outdoor elements.
- During any extended periods of non-use, especially through the winter months, your umbrella and the umbrella base should be stored inside in a dry place.