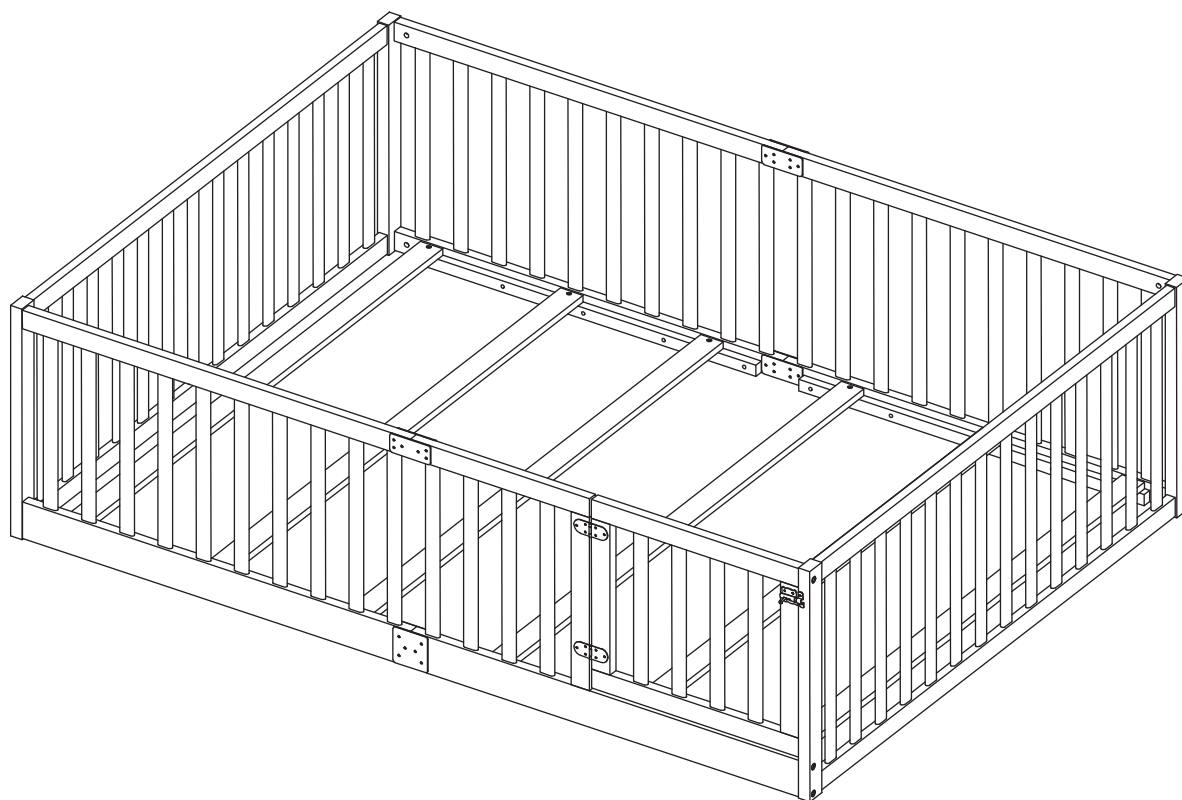
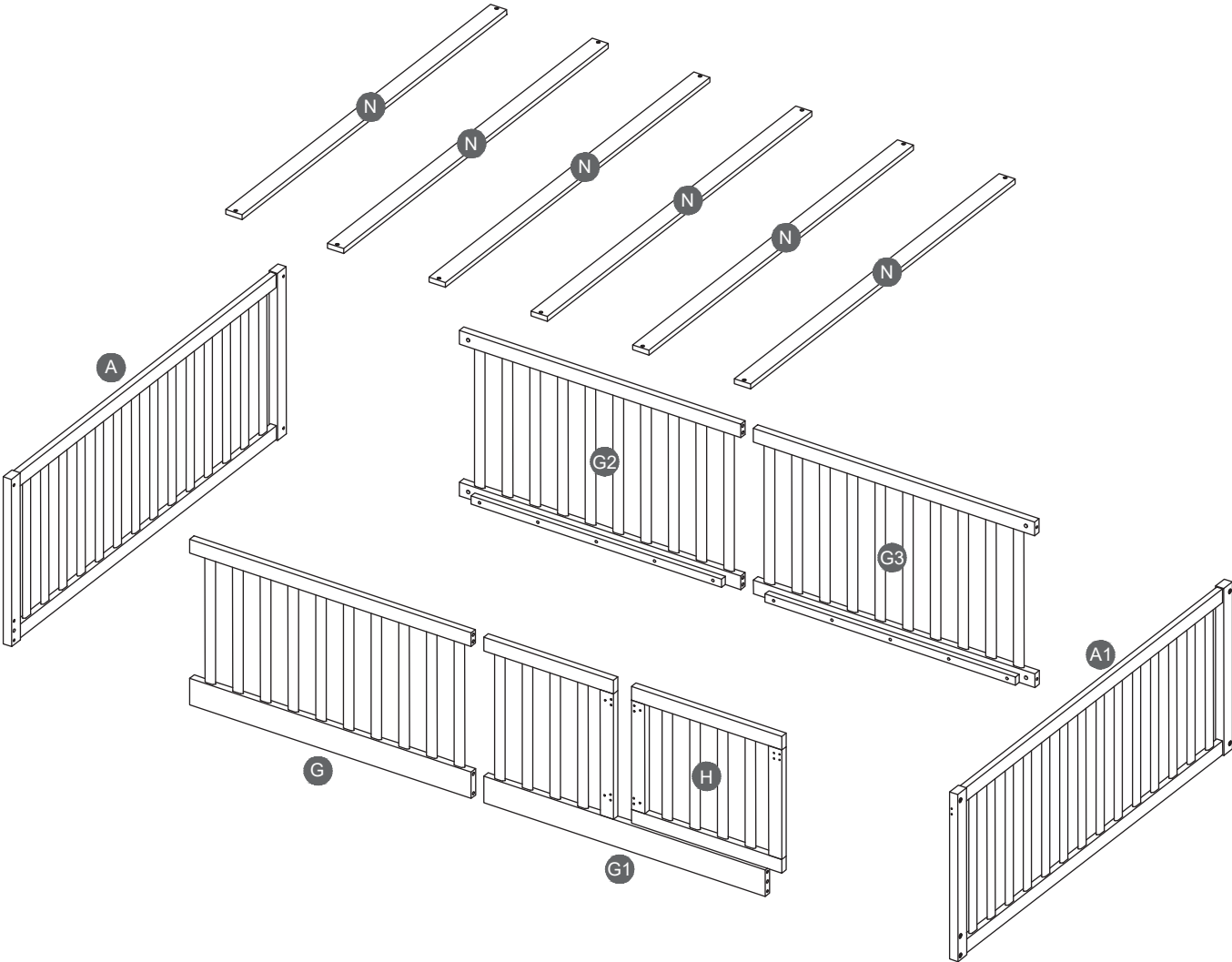


# ASSEMBLY INSTRUCTIONS

## FULL FLOOR BED WITH FENCE

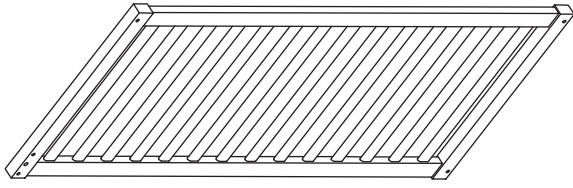


# Detail View



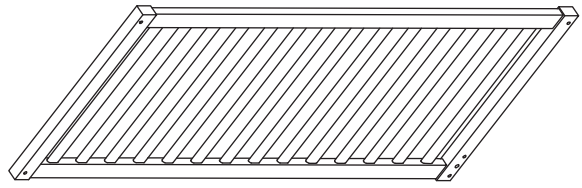
# Part List

**A**



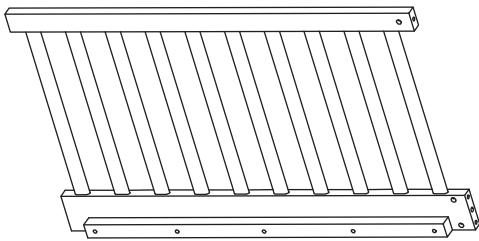
Hb. Fb. Panel (Left) - 1pc

**A1**



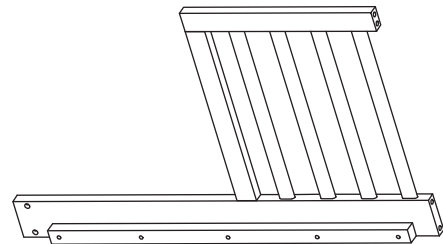
Hb. Fb. Panel (Right) - 1pc

**G**



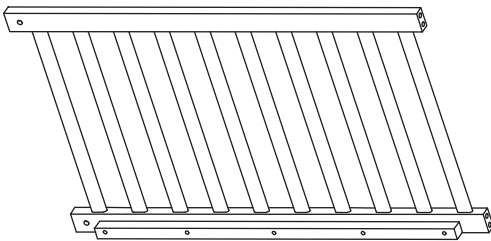
Side Rail Front (Left) - 1pc

**G1**



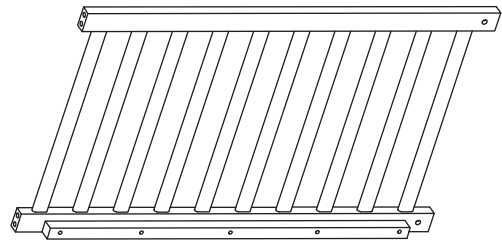
Side Rail Front (Right) - 1pc

**G2**



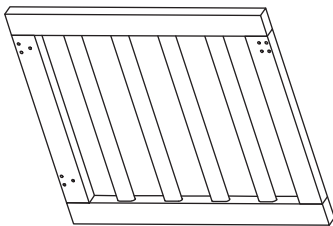
Side Rail Back (Left) - 1pc

**G3**



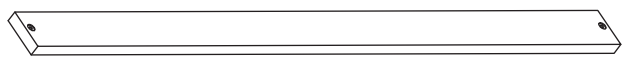
Side Rail Back (Right) - 1pc

**H**





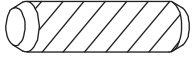

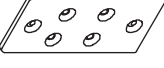
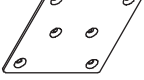
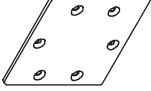






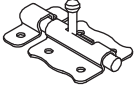


Door - 1pc

**N**

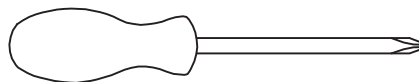


Bed Slats - 6pcs

# Hardware List

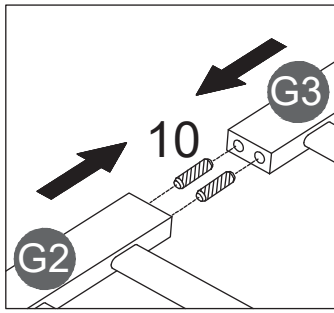
<p><b>1</b></p>  <p>M6 x 70mm JCBC (9pcs)</p>	<p><b>2</b></p>  <p>M6 x 15mm Barrel Nut (9pcs)</p>	<p><b>3</b></p>  <p>M10 x 30mm Wood Dowel (2pcs)</p>
<p><b>4</b></p>  <p>100 x 44 x 1.5mm Metal Bracket (3pcs)</p>	<p><b>5</b></p>  <p>100 x 44 x 1.5mm Metal Bracket (3pcs)</p>	<p><b>6</b></p>  <p>85 x 85 x 1.5mm Metal Bracket (1pc)</p>
<p><b>7</b></p>  <p>85 x 85 x 1.5mm Metal Bracket (1pc)</p>	<p><b>8</b></p>  <p>M4 x 16mm CSK Screw (48pcs)</p>	<p><b>9</b></p>  <p>Sticker Cap (2pcs)</p>
<p><b>10</b></p>  <p>M10 x 40mm Wood Dowel (Long) (8pcs)</p>	<p><b>11</b></p>  <p>20 x 20 x 290mm Wood Block (1pc)</p>	<p><b>12</b></p>  <p>M4 x 25mm CSK Screw (12pcs)</p>
<p><b>13</b></p>  <p>46 x 30 x 1.5mm (180°) Hinges (2pcs)</p>	<p><b>14</b></p>  <p>10 x 40 x 60mm Lock (1pc)</p>	<p><b>15</b></p>  <p>M3.5 x 16mm CSK Screw (18pcs)</p>
<p><b>16</b></p>  <p>M4 Allen Key (1pc)</p>		

## ASSEMBLY TOOLS REQUIRED ( NOT INCLUDED )

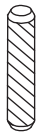


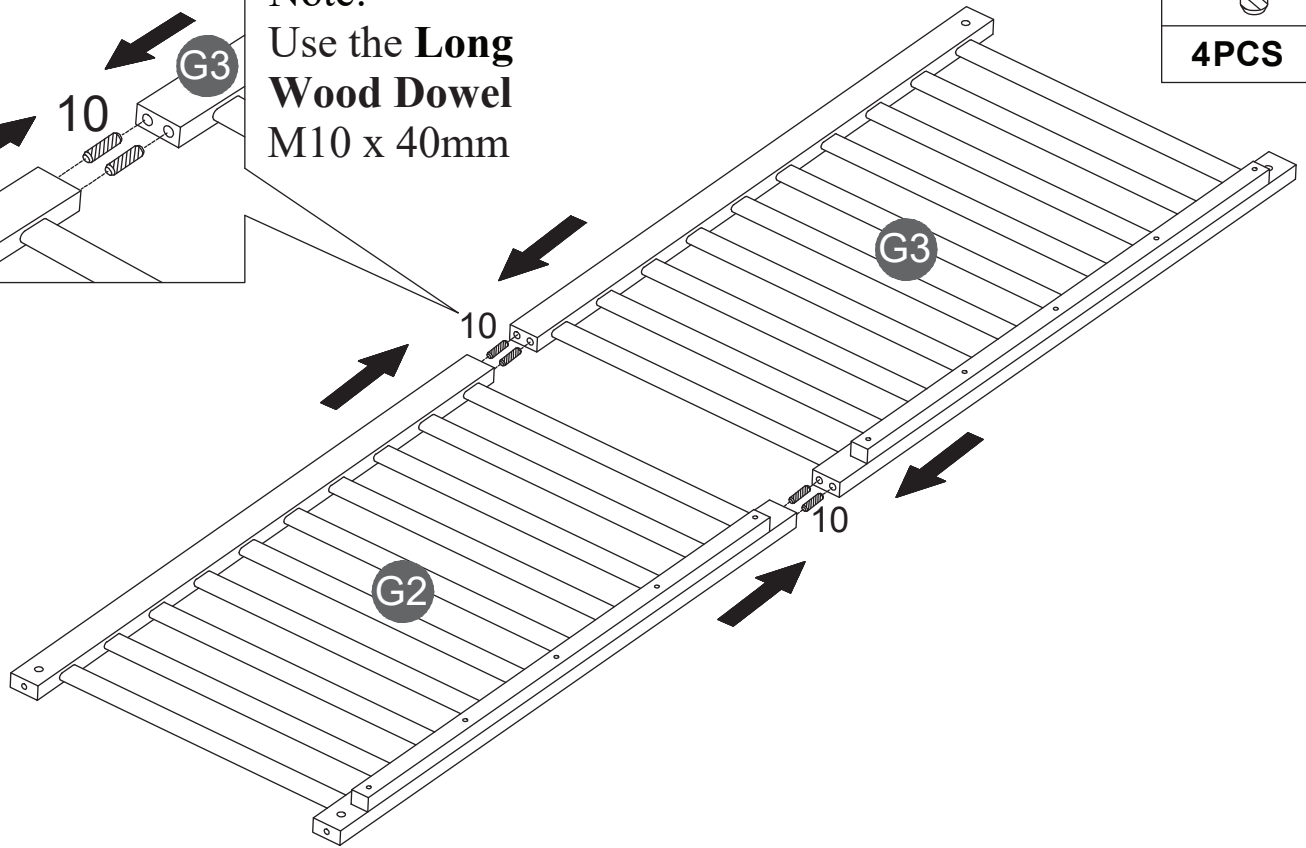
**PLEASE BE CAREFUL DO NOT DAMAGE THE HOLE POSITION WHEN YOU USE POWER TOOLS !**

### STEP 1:

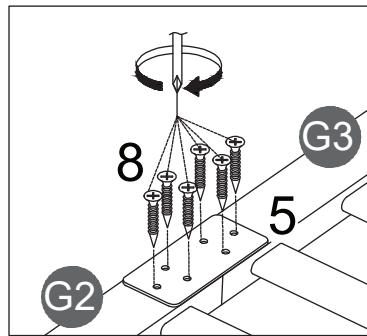


Note:  
Use the **Long Wood Dowel**  
M10 x 40mm



10	
4PCS	

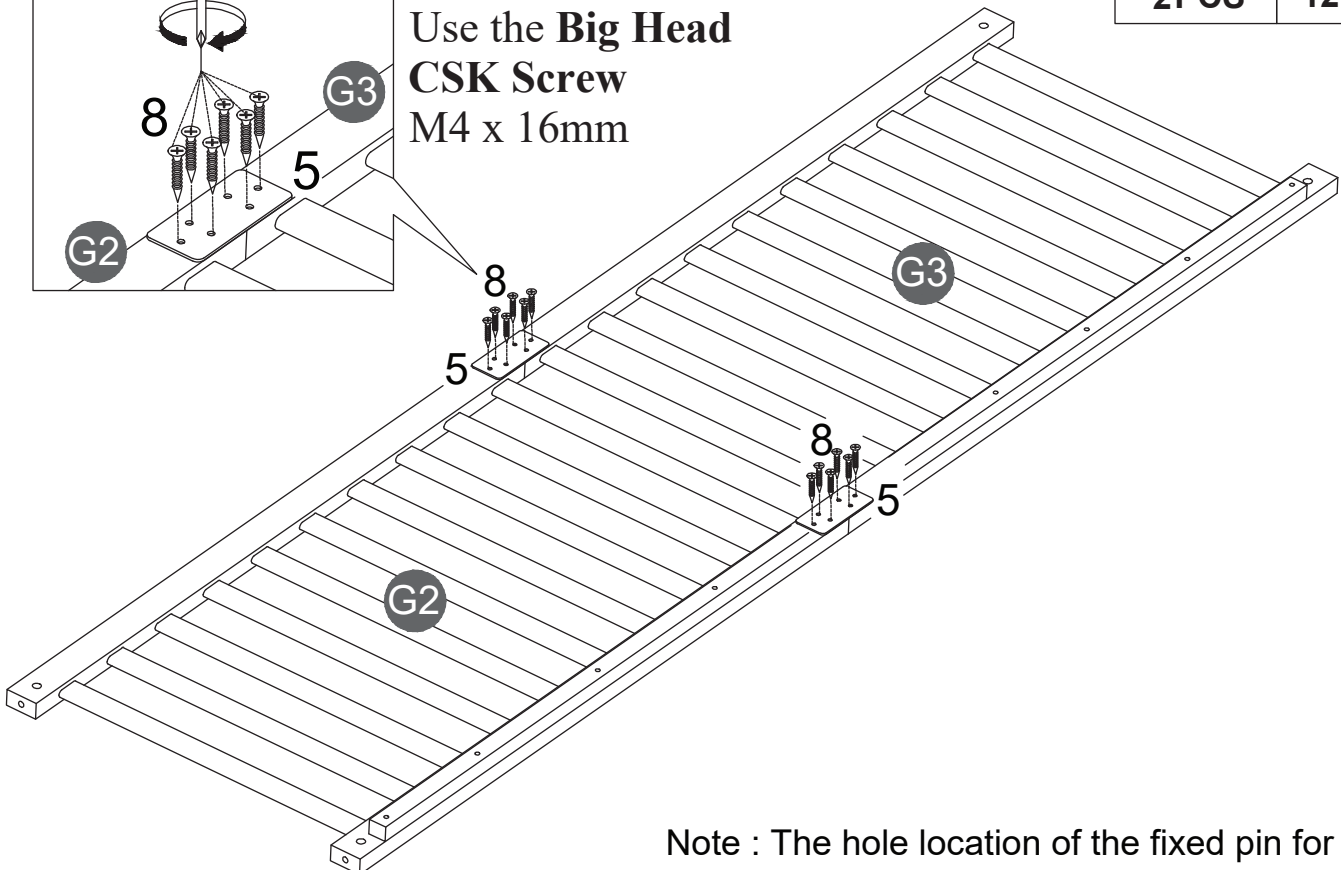


### STEP 2:



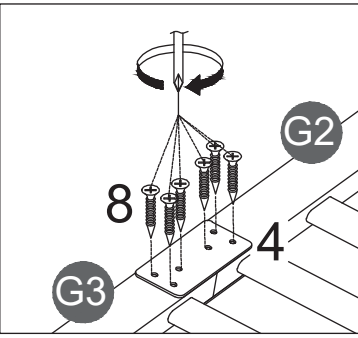
Note:  
Use the **Big Head CSK Screw**  
M4 x 16mm

5	8
	
2PCS	12PCS





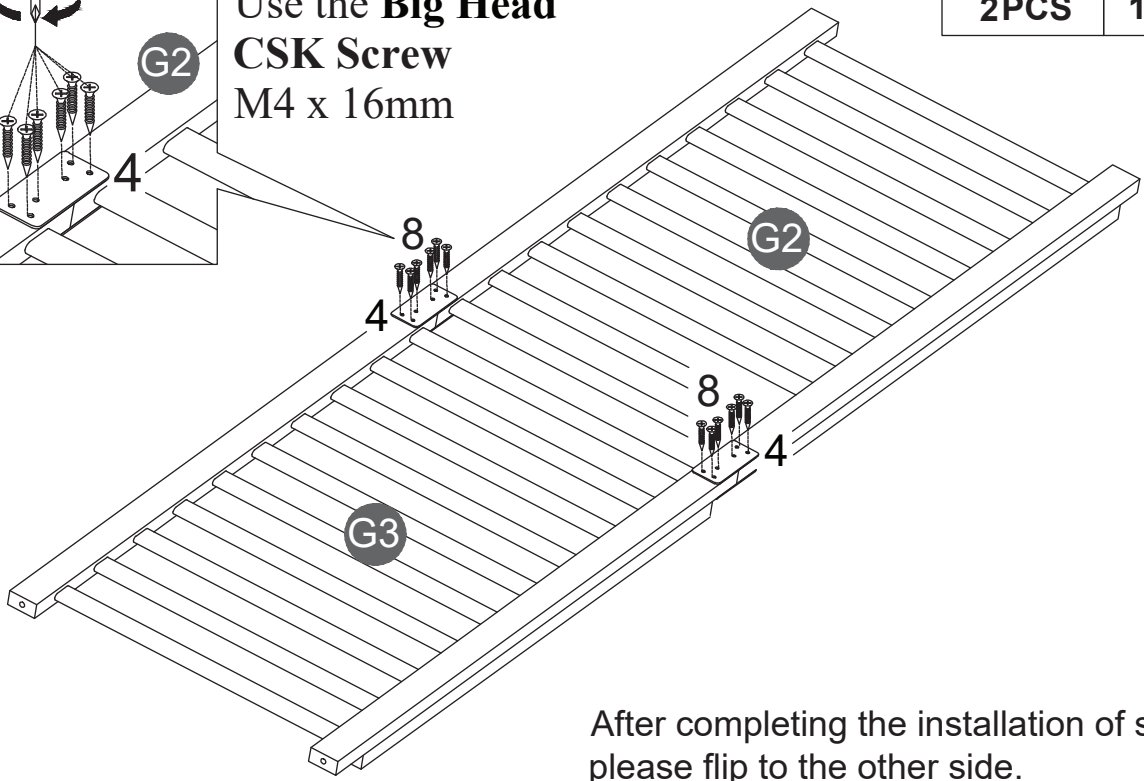
Note : The hole location of the fixed pin for each installation step is different.

### STEP 3:



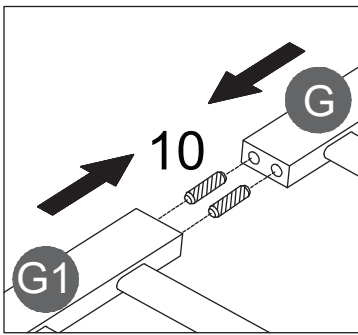
Note:  
Use the **Big Head CSK Screw**  
M4 x 16mm

<b>4</b>	<b>8</b>
	
<b>2PCS</b>	<b>12PCS</b>

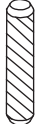


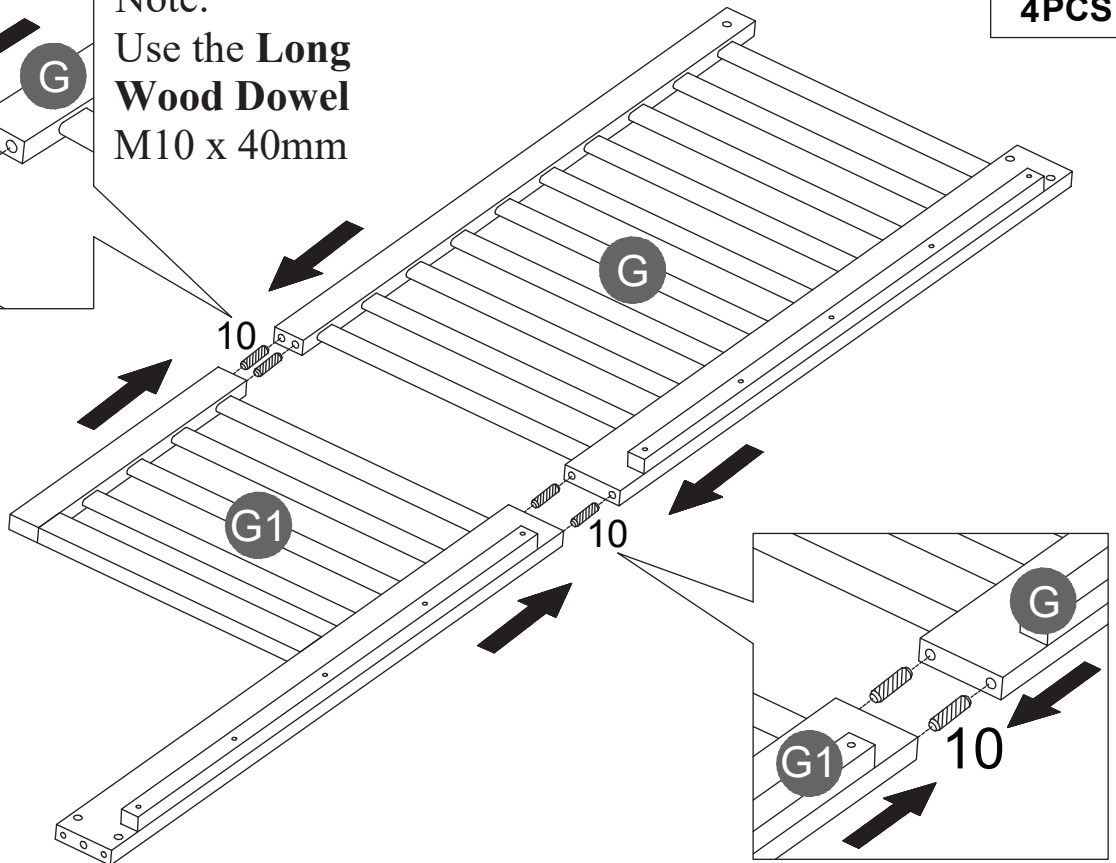
After completing the installation of step 2,  
please flip to the other side.

### STEP 4:

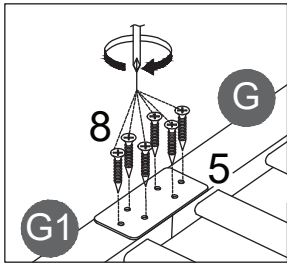


Note:  
Use the **Long Wood Dowel**  
M10 x 40mm

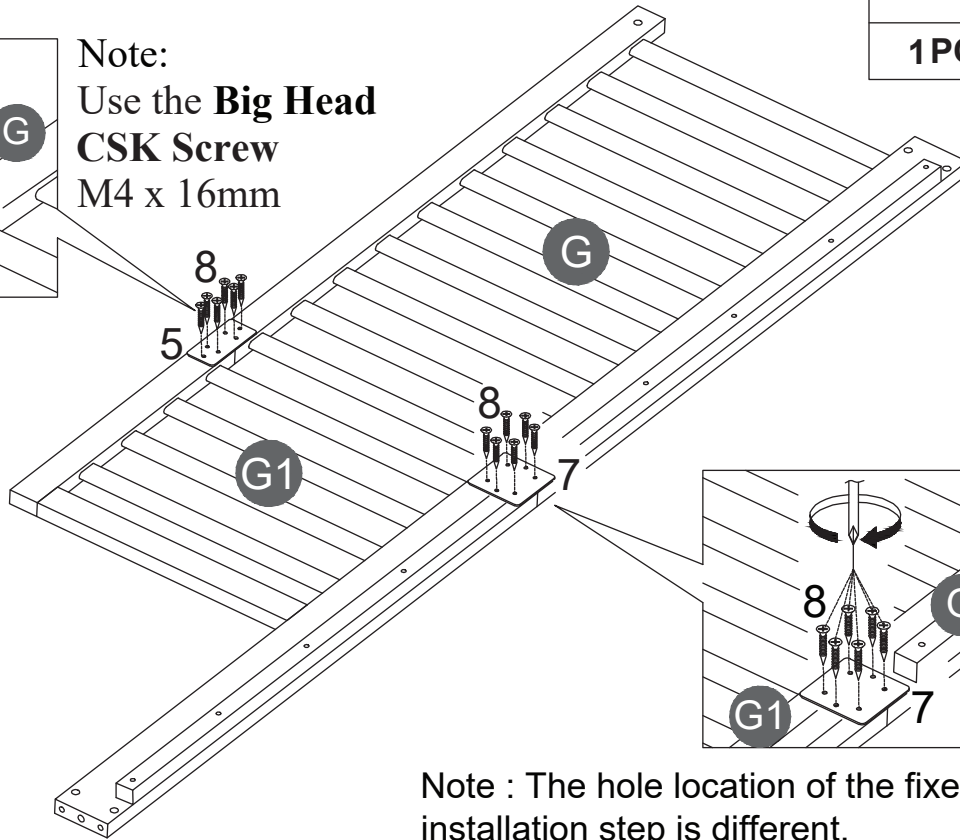
<b>10</b>	
<b>4PCS</b>	



## STEP 5:



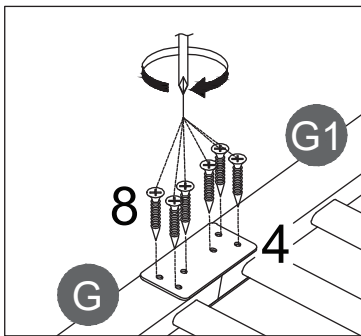
Note:  
Use the **Big Head CSK Screw**  
M4 x 16mm



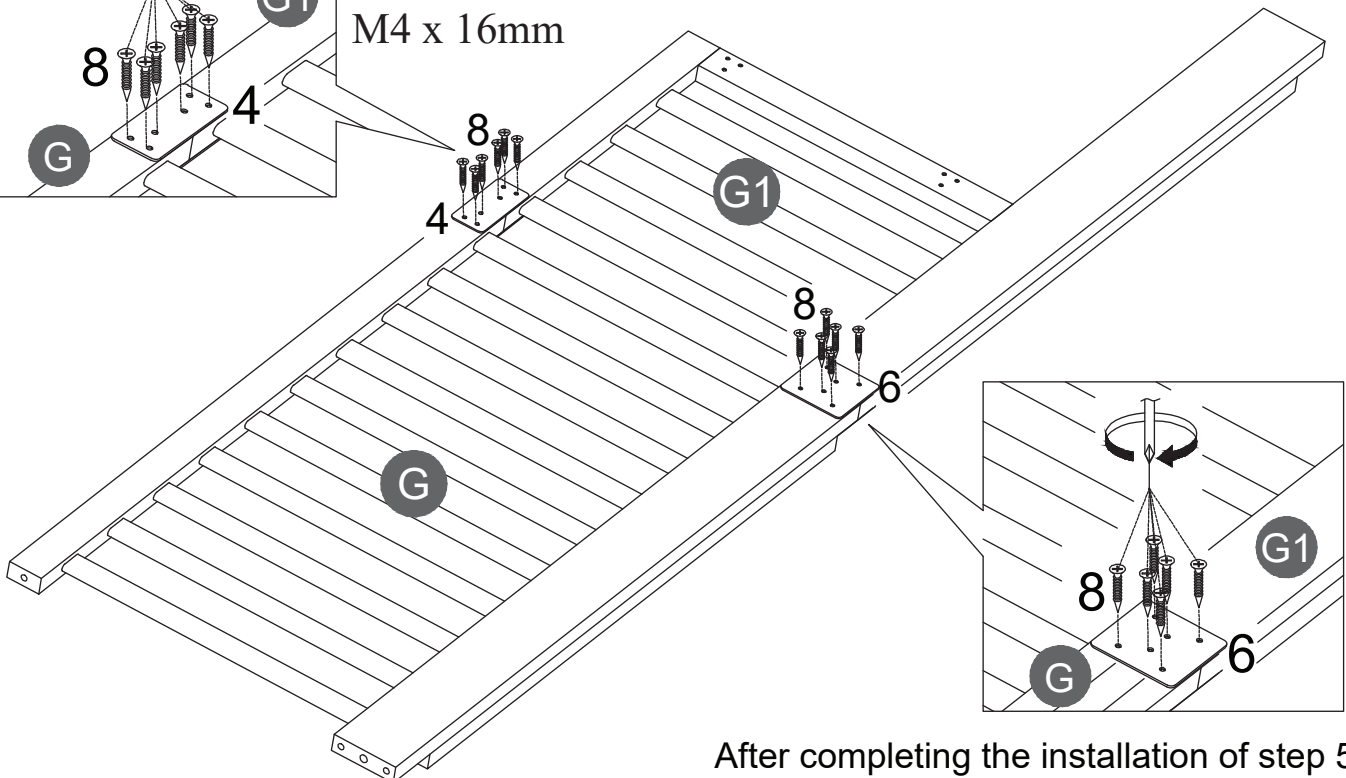
<b>5</b>	<b>7</b>
<b>1PC</b>	<b>1PC</b>
	<b>8</b>
	<b>12PCS</b>

Note : The hole location of the fixed pin for each installation step is different.

## STEP 6:







Note:  
Use the **Big Head CSK Screw**  
M4 x 16mm

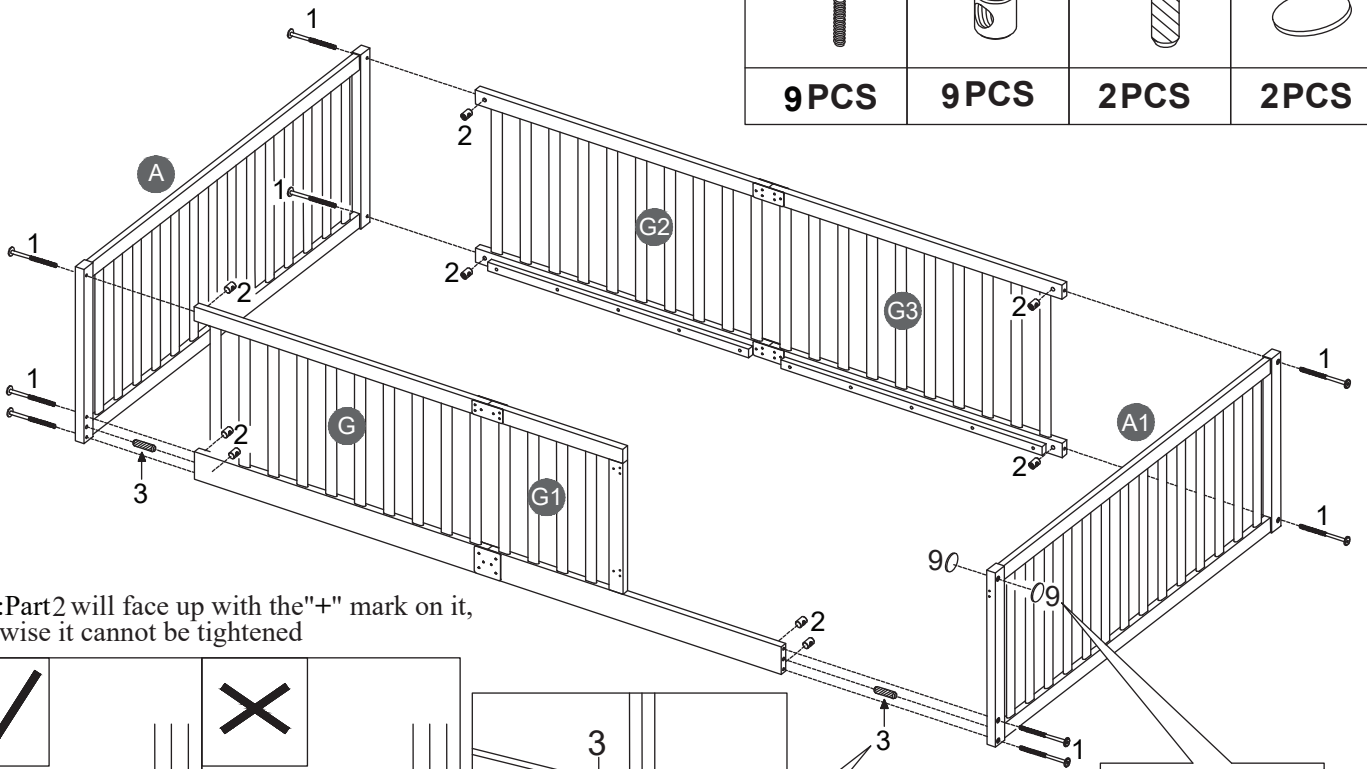


<b>4</b>	<b>6</b>	<b>8</b>
<b>1PC</b>	<b>1PC</b>	<b>12PCS</b>

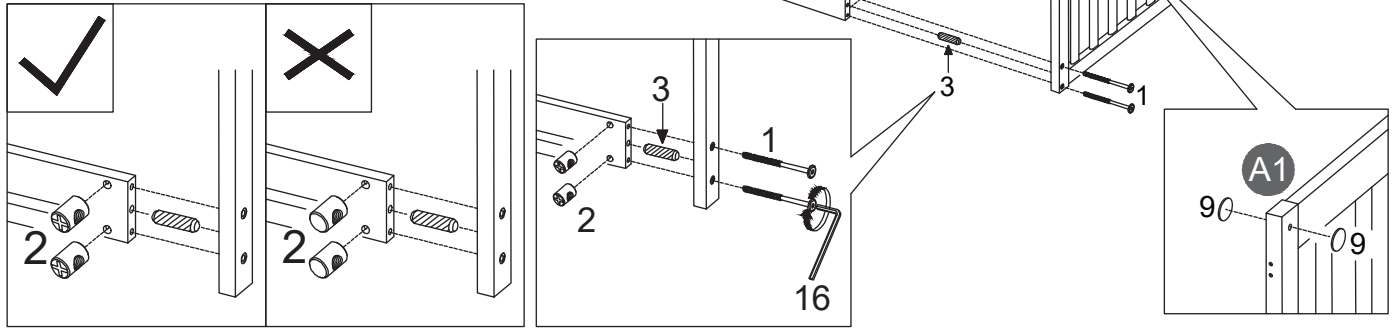
After completing the installation of step 5,  
please flip to the other side.

# STEP 7:

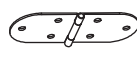
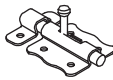

<b>1</b>		<b>2</b>		<b>3</b>		<b>9</b>	
<b>9PCS</b>		<b>9PCS</b>		<b>2PCS</b>		<b>2PCS</b>	



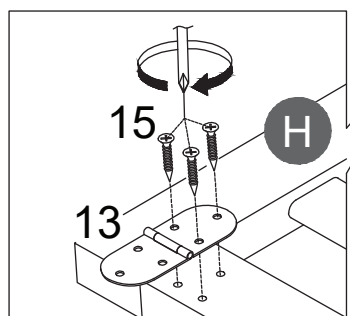
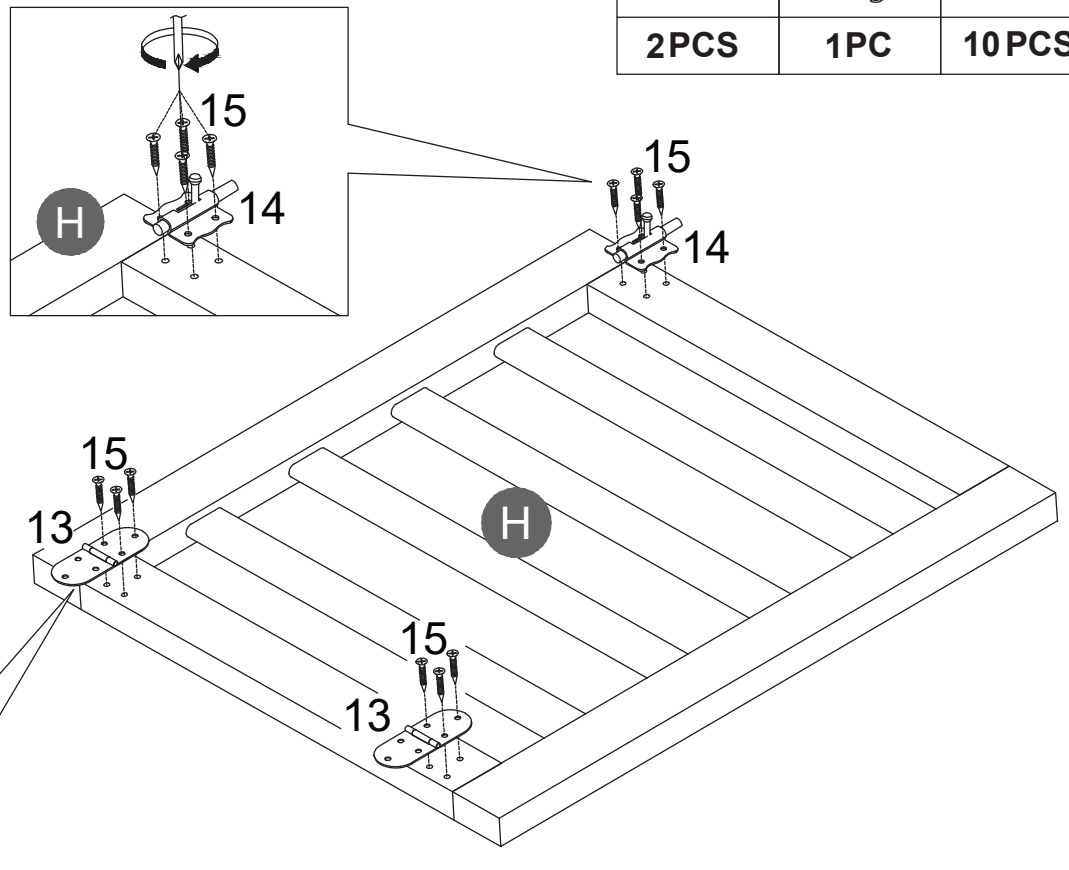
Note: Part 2 will face up with the "+" mark on it, otherwise it cannot be tightened



# STEP 8:

<b>13</b>		<b>14</b>		<b>15</b>	
<b>2PCS</b>		<b>1PC</b>		<b>10PCS</b>	

Note:  
Use the **Small Head CSK Screw**  
M3.5 x 16mm

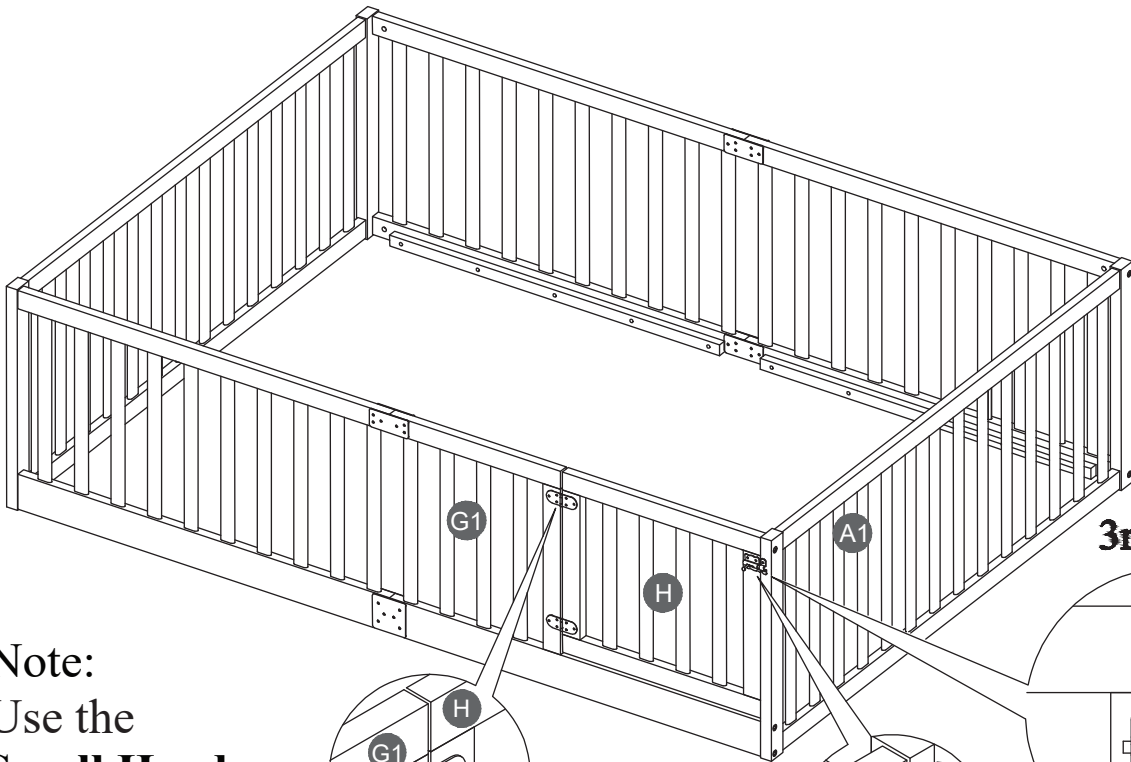


**STEP 9:**

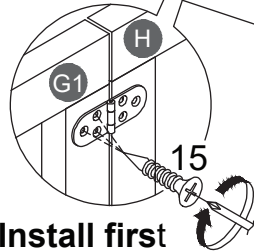
**15**



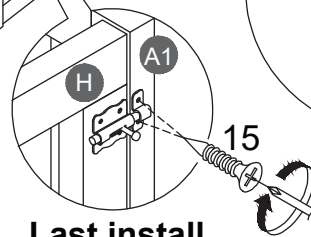
**8 PCS**



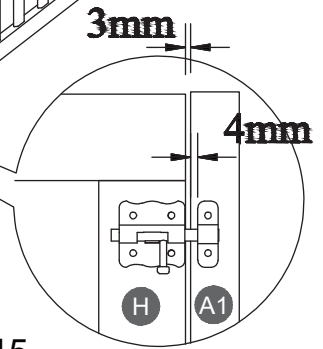
**Note:**  
Use the  
**Small Head  
CSK Screw**  
M3.5 x 16mm



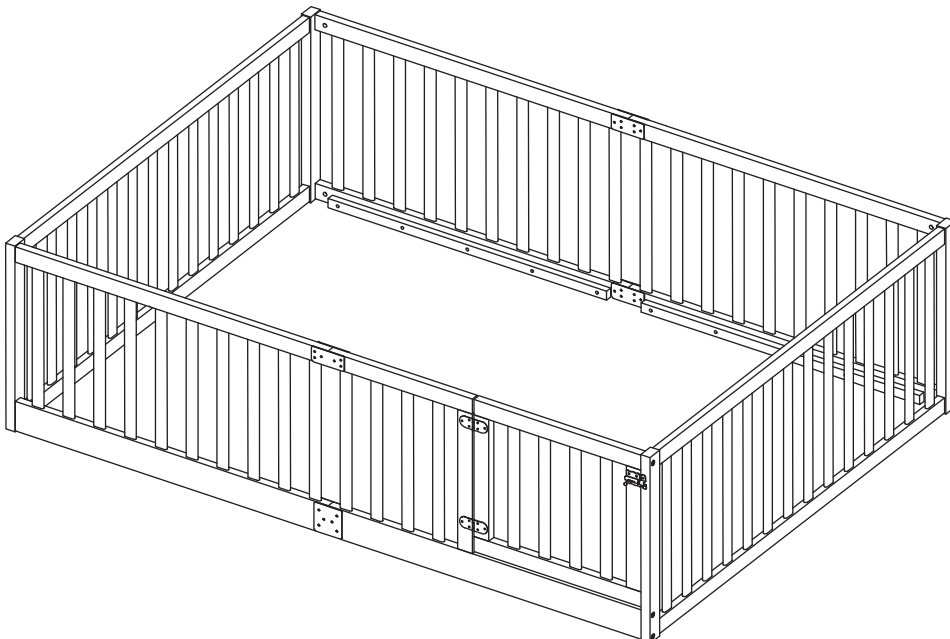
**Install first**





**Last install**

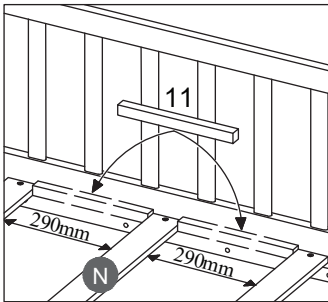
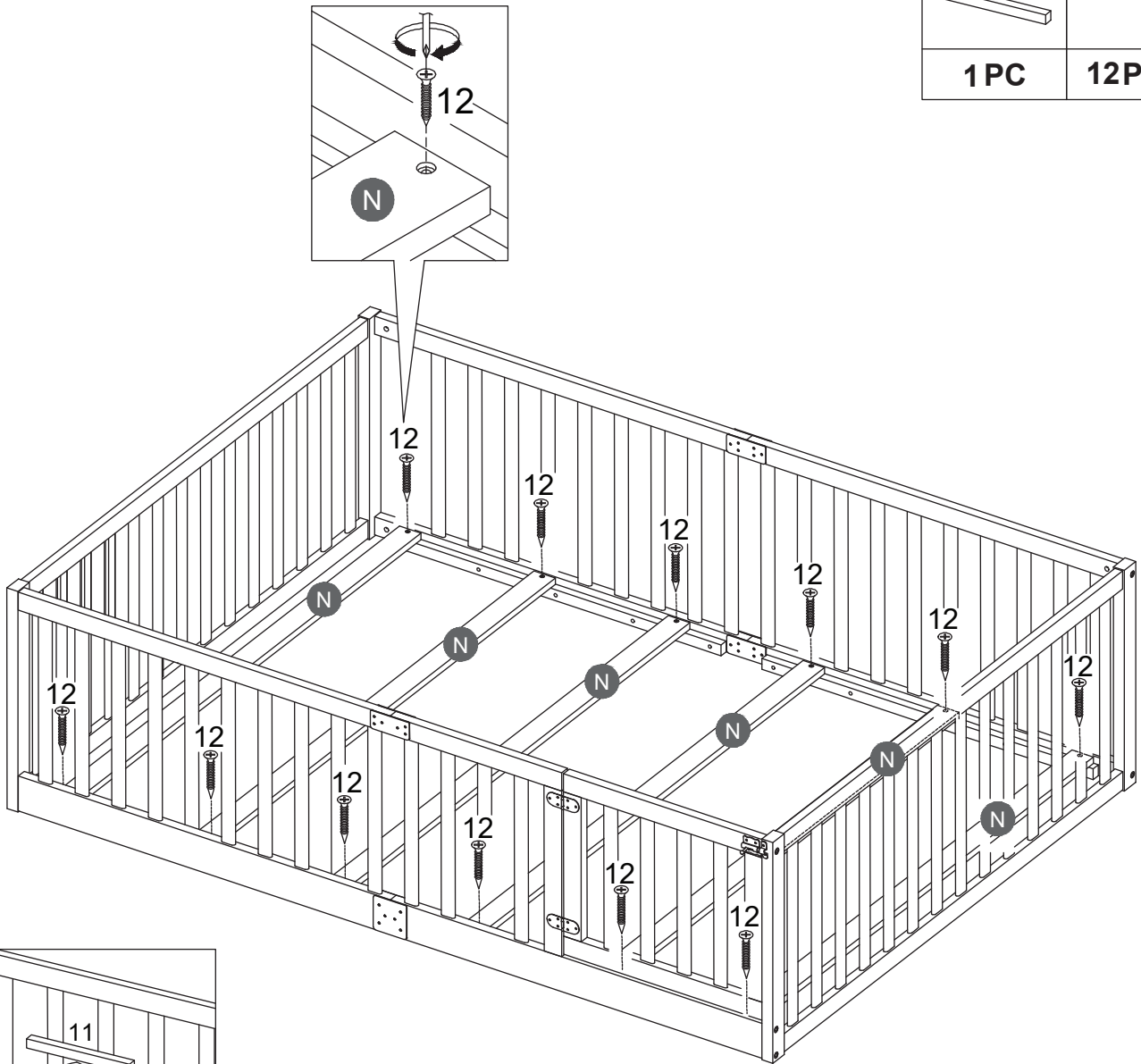


Please completing the installation of the hinge first,  
and then fix the barrel bolt lock

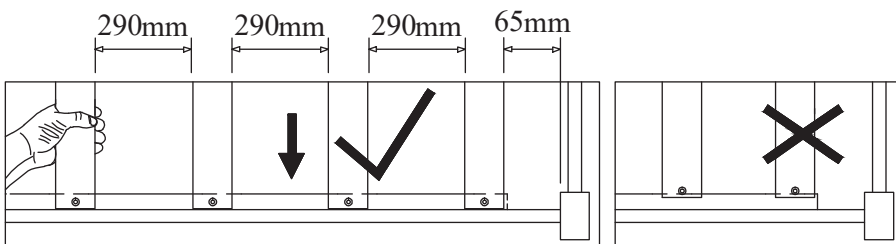


# STEP 10:

<b>11</b>	<b>12</b>
	
<b>1 PC</b>	<b>12 PCS</b>



Note: Use Wood Block as a guidance distance between Bed Slats.



Note: Do not lock the screws of the bed slats to the outermost edge of the bed slats, you need to leave a certain space at the edges, otherwise it will cause the board to break. Do not lock the bed slats on the edge of the wood, please hold firmly before screwing, hold it in place with one hand, then lock the screw.