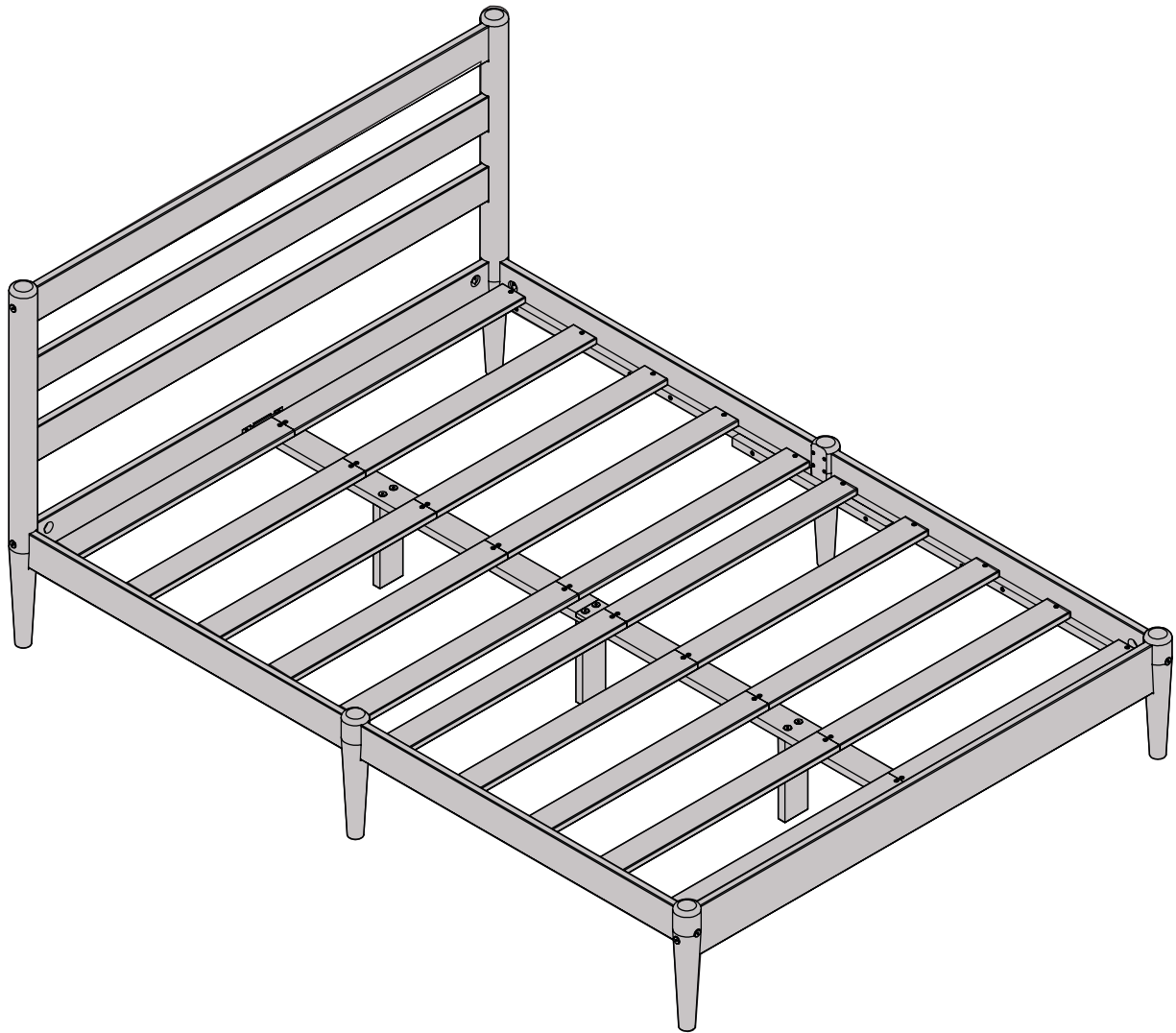


Mid Century - Full Bed



Assembly
02 people



Time
1-2 hours approximately

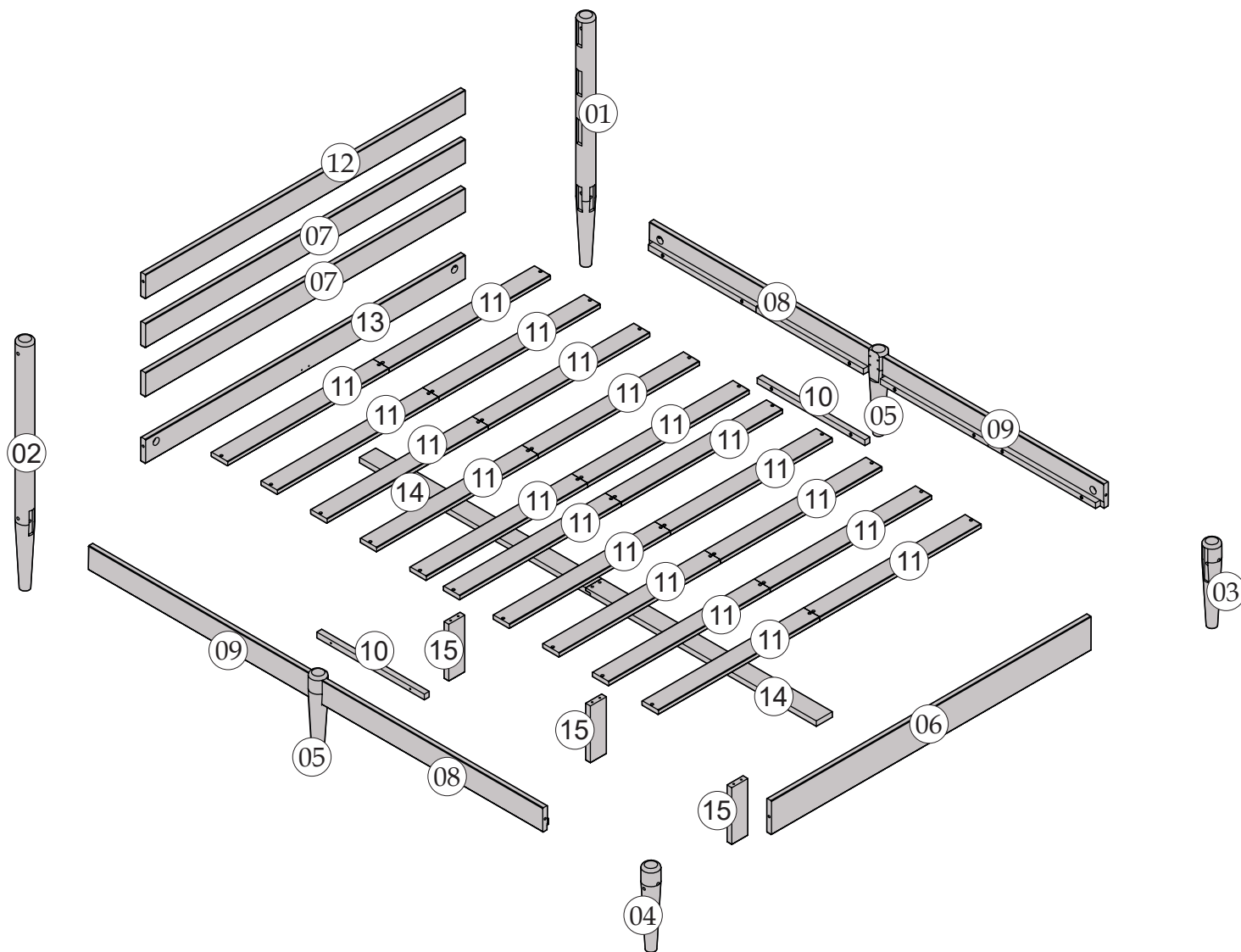


Tools
philips key, rubber hammer



Volume quantity
01 boxes




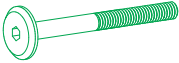


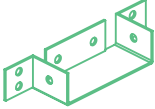
Parts list for assembly. Please confirm all parts available before assembly

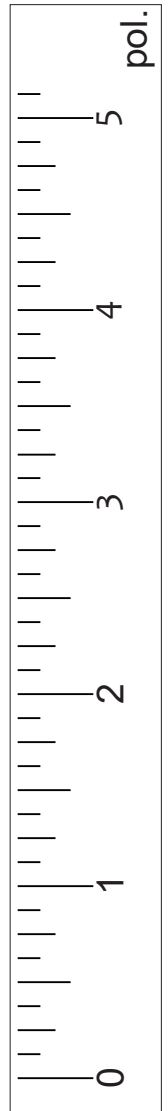


ATTENTION

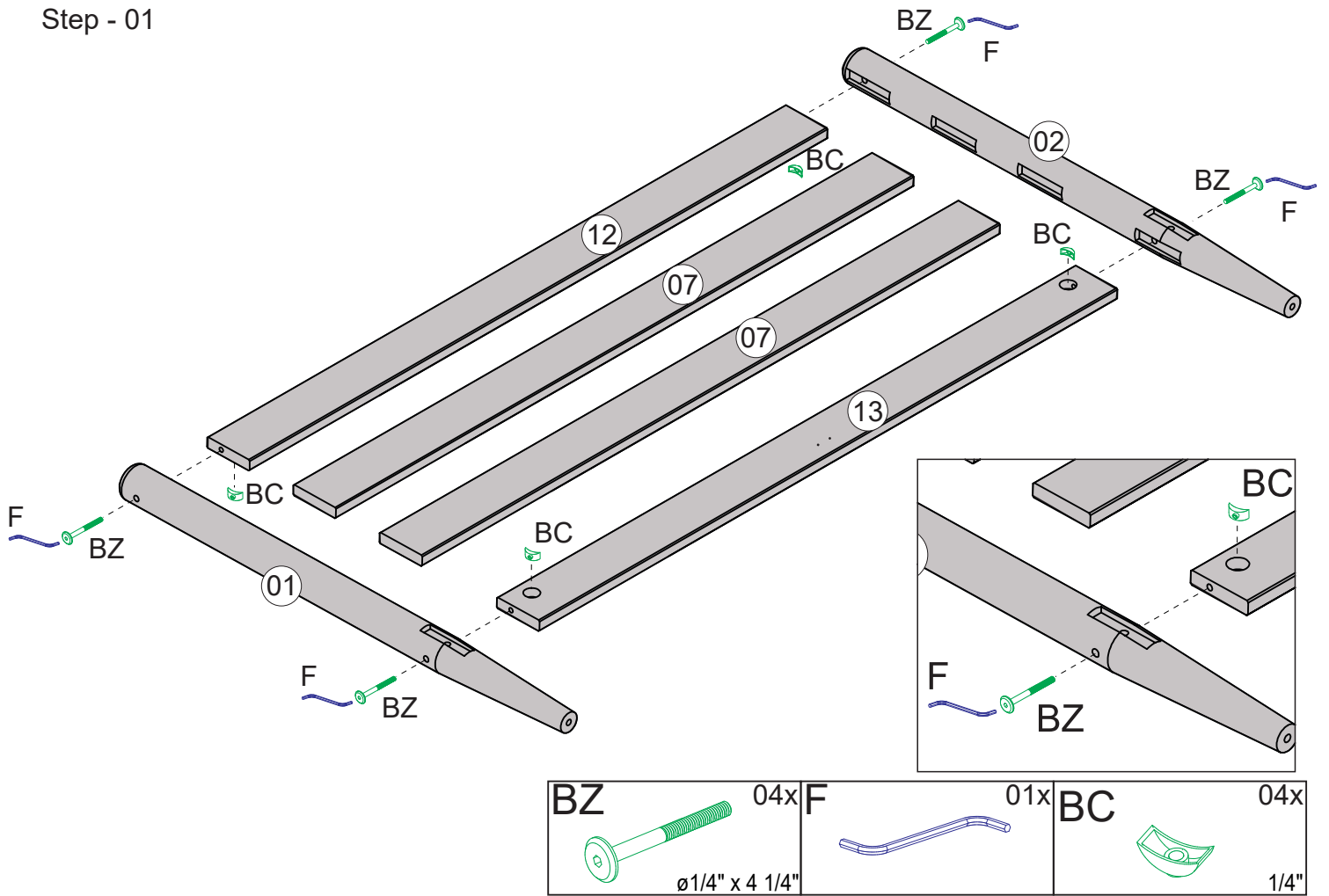
- * Read and observe carefully all the assembly instructions before beginning assembly.
- * The assembly of the product must be done on a clean and flat surface. We suggest to use the packaging to cover the floor to avoid damages.
- * The screws must be tightened periodically.
- * Avoid contact with sharp objects.
- * Avoid banging pieces together.

Hardware list for assembly.
Please confirm all hardware available before assembly

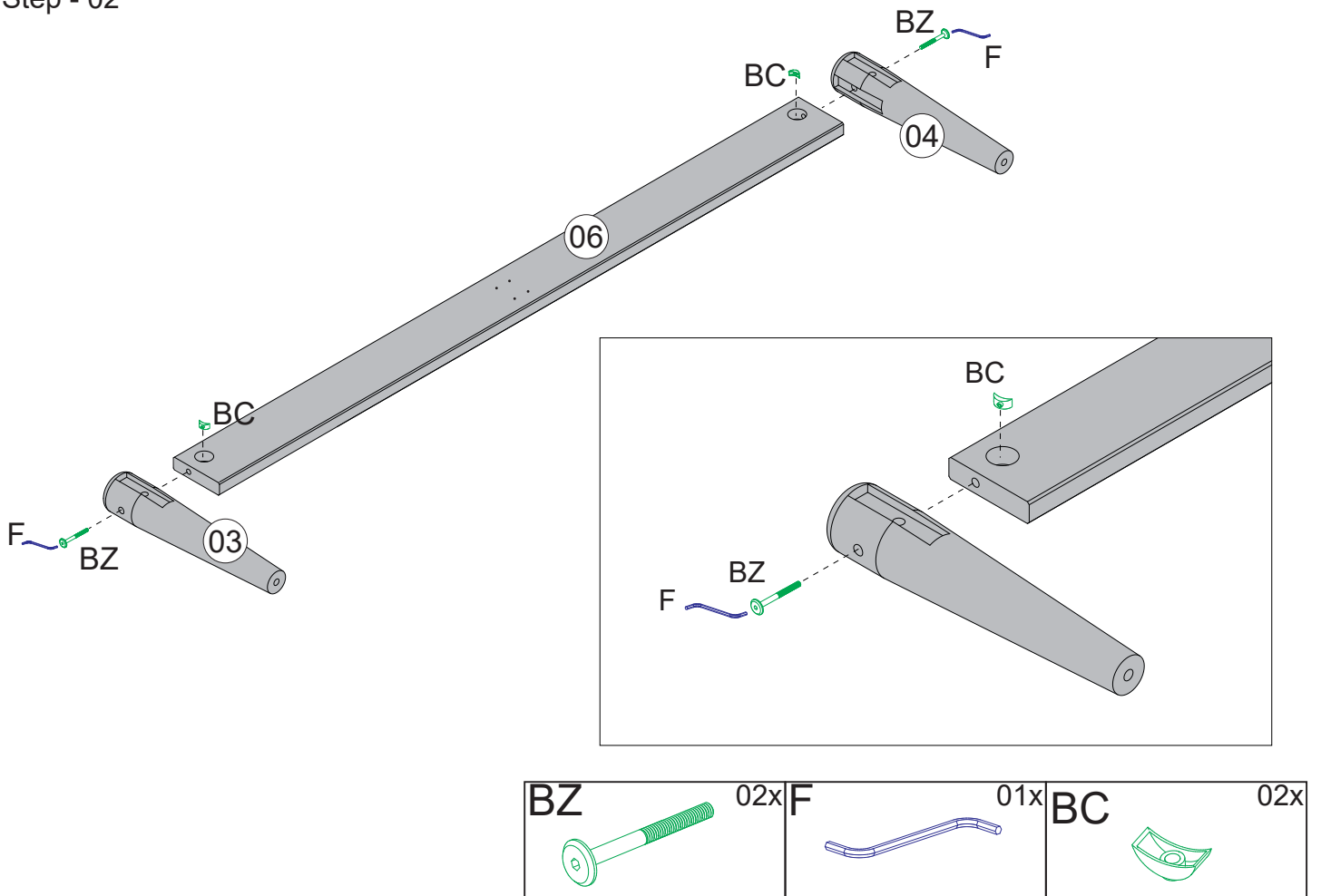
F		01x	+	SPARE	01x
AP	 ø1/8" x 1' 3/8"	52x	+		03x
BC	 1/4"	10x	+		01x
BZ	 ø1/4" x 3' 1/2"	10x	+		01x
U	 ø1/4" x 2"	06x	+		01x
Z	 1/8" x 5/8"	16x	+		01x
BU		02x			



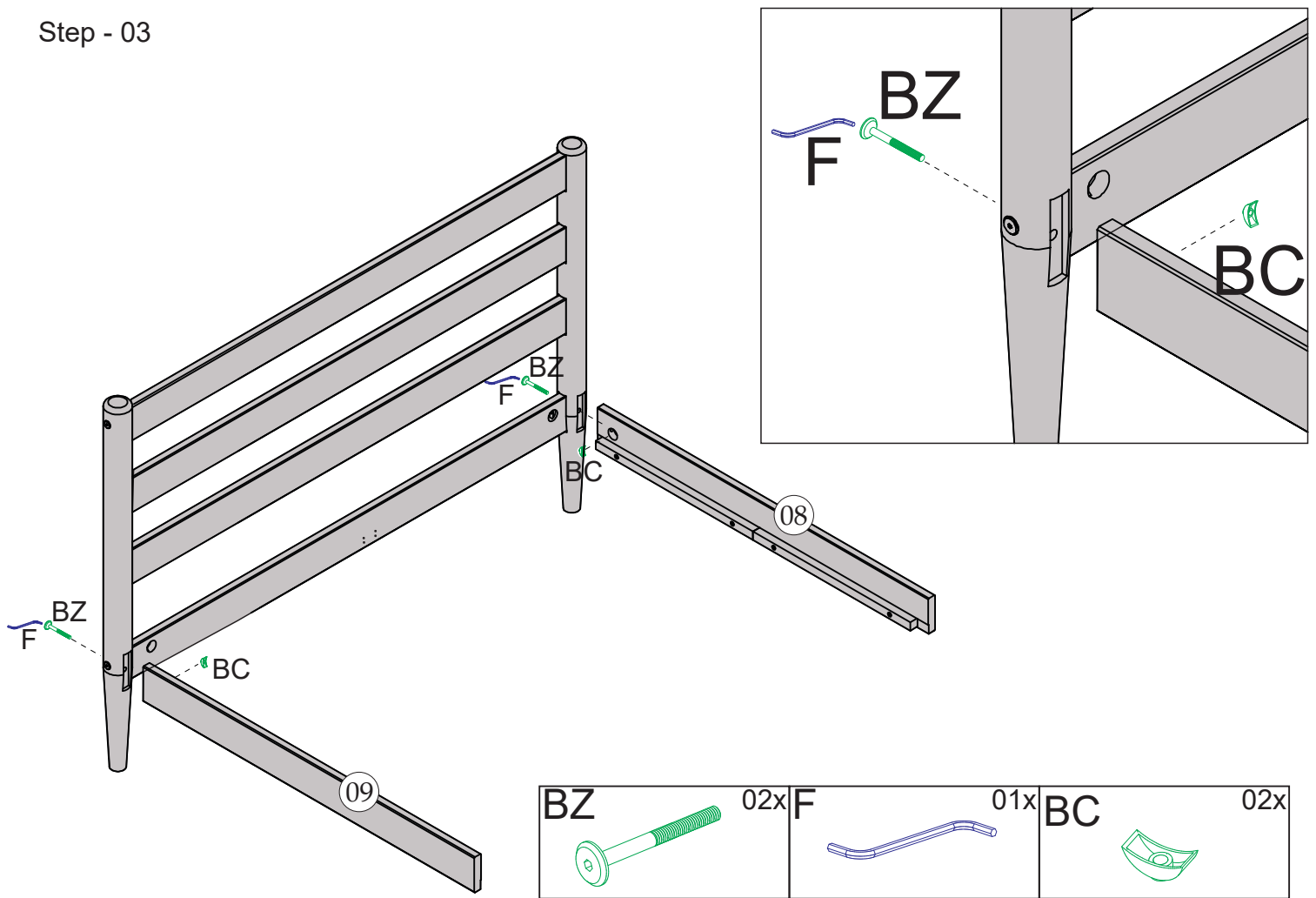
Step - 01



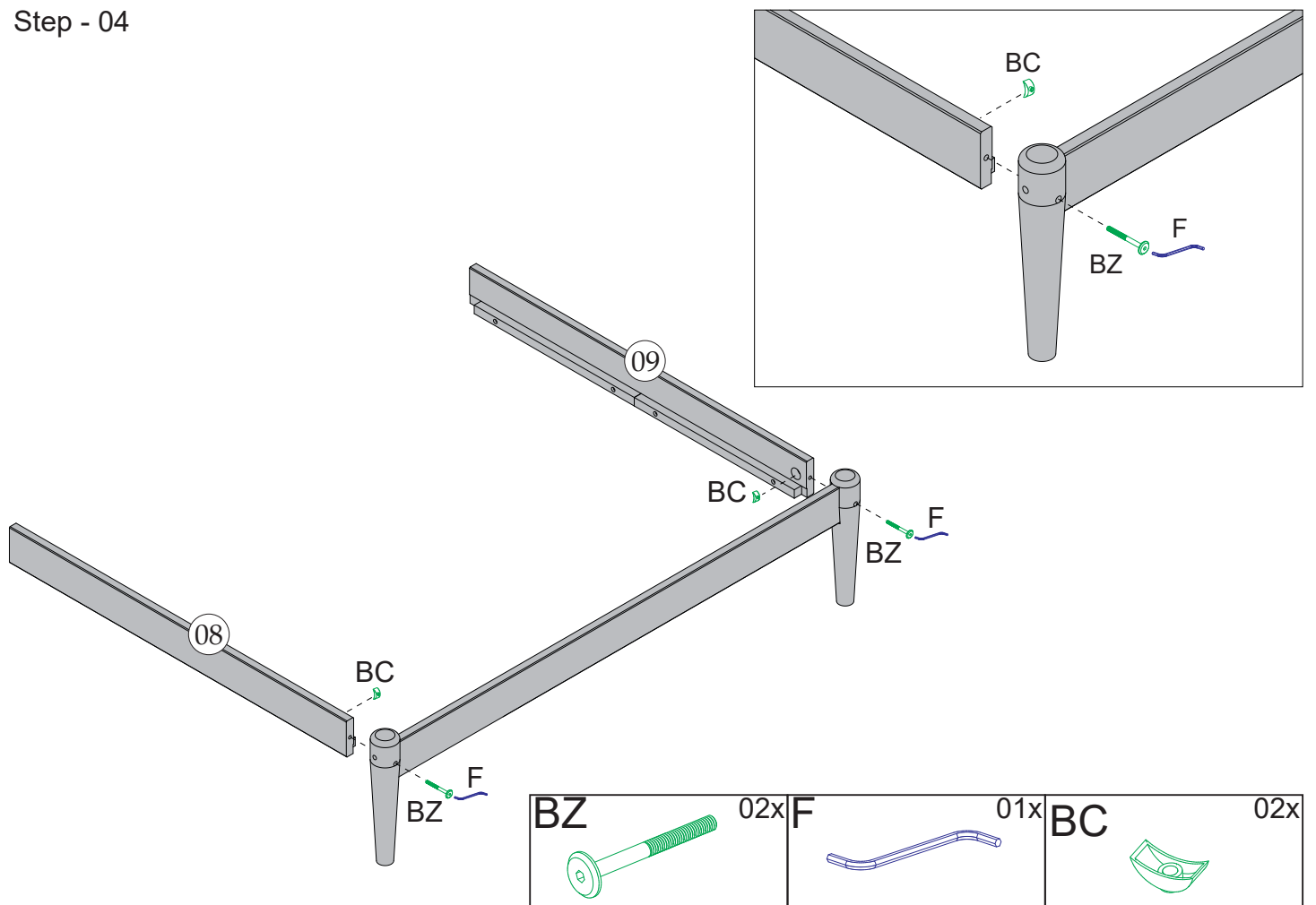
Step - 02



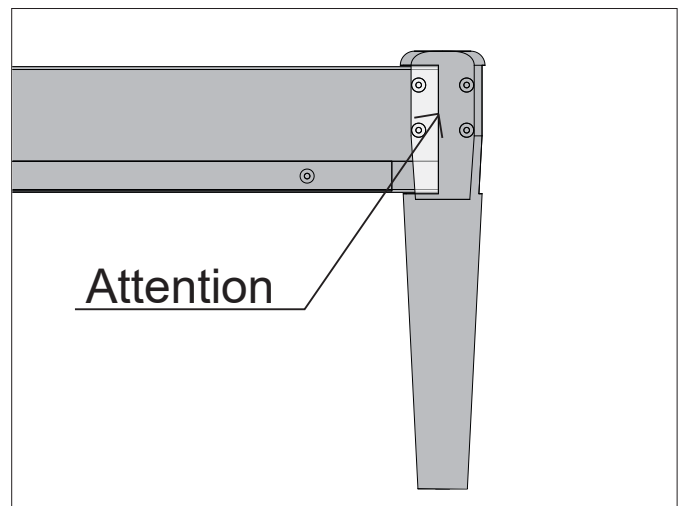
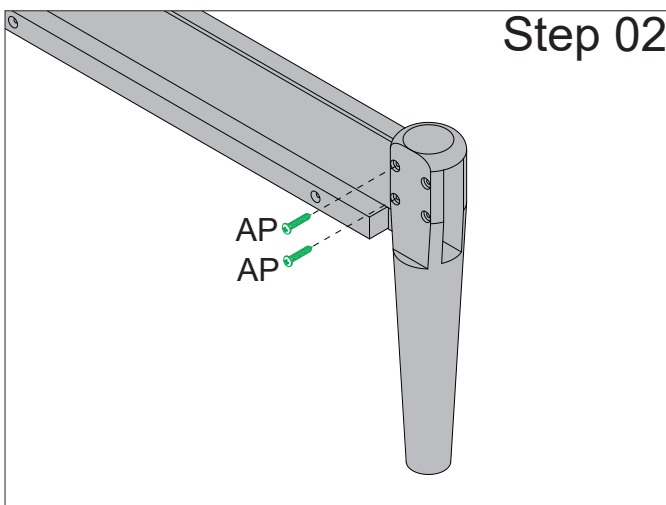
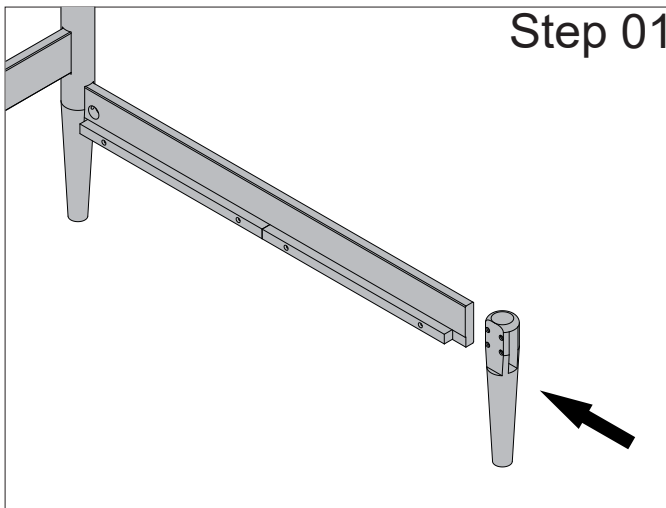
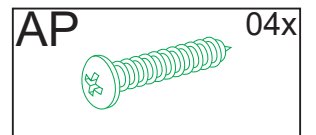
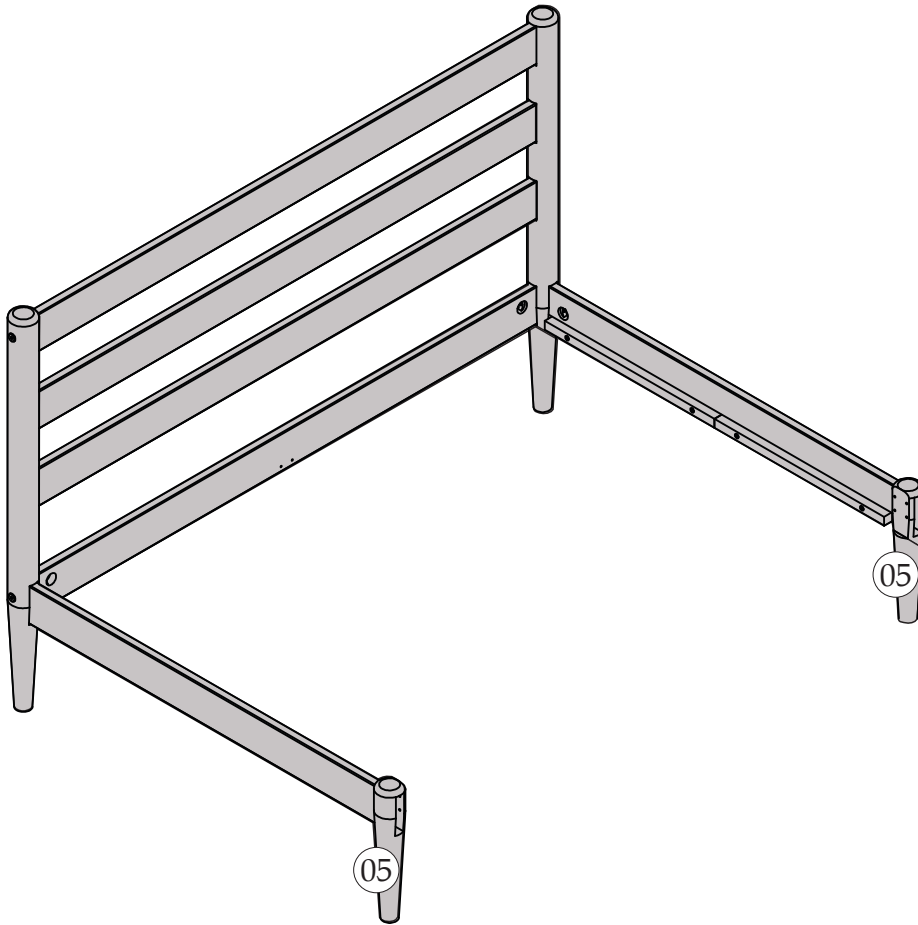
Step - 03



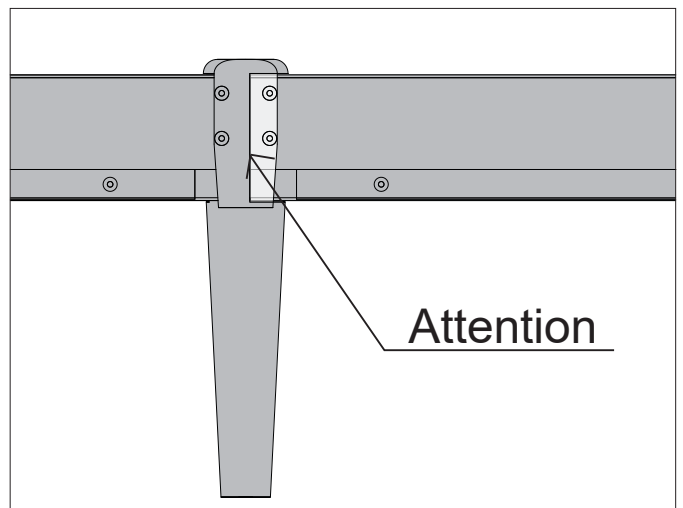
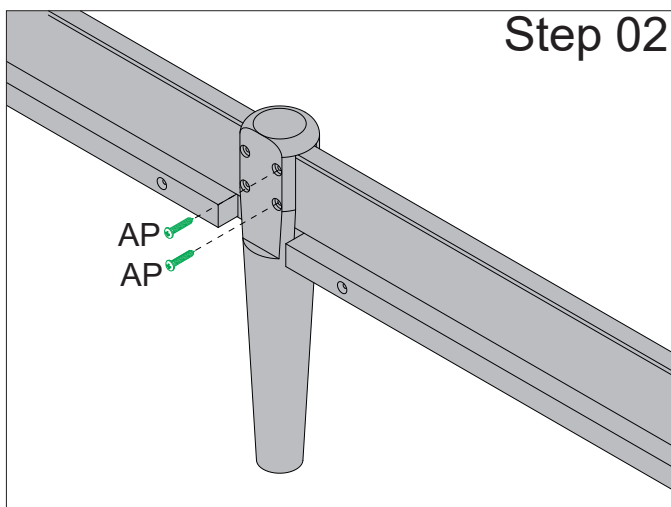
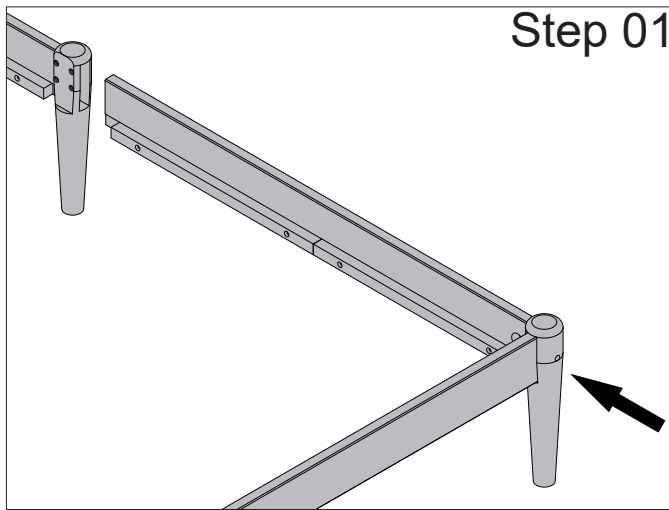
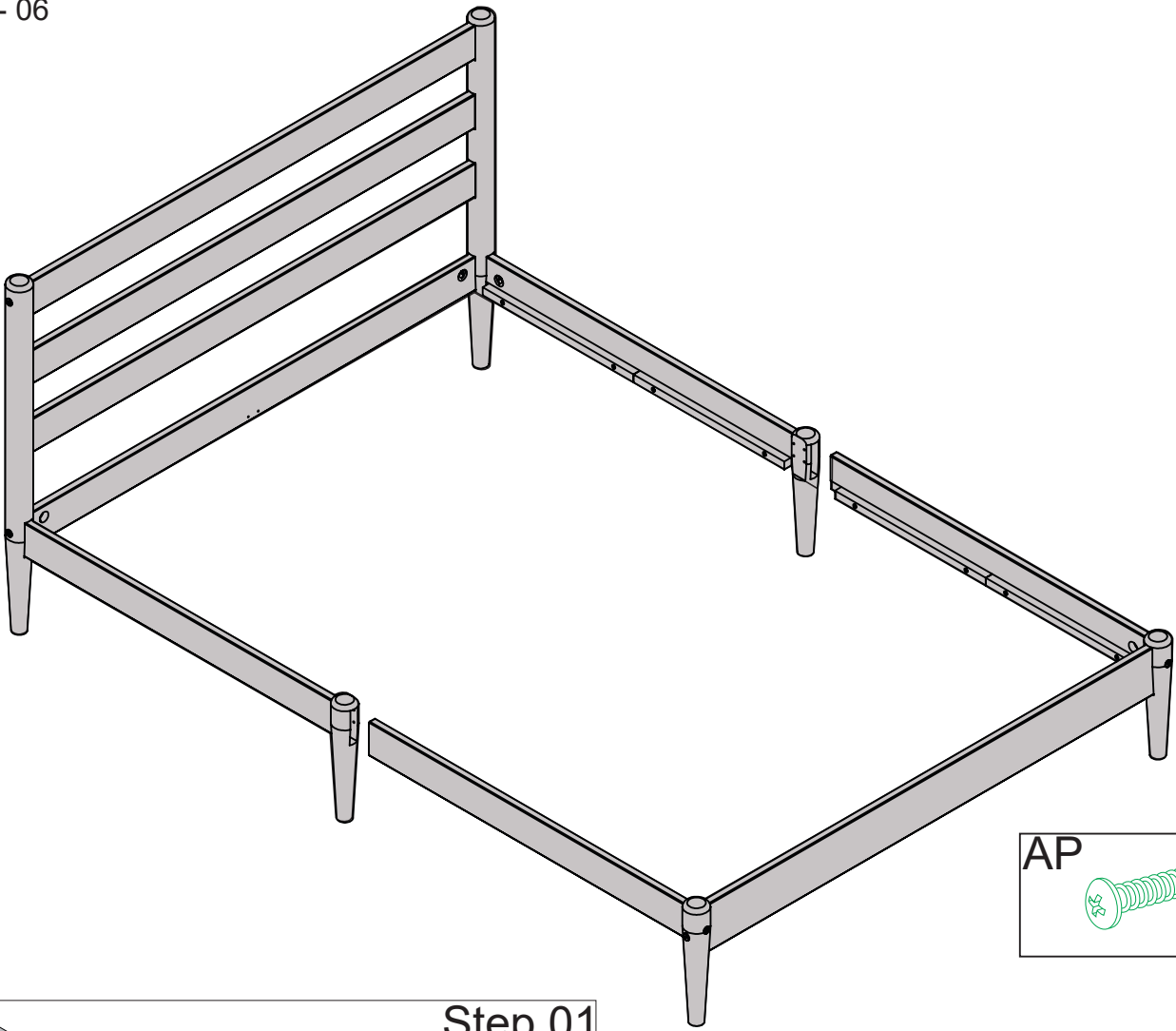
Step - 04



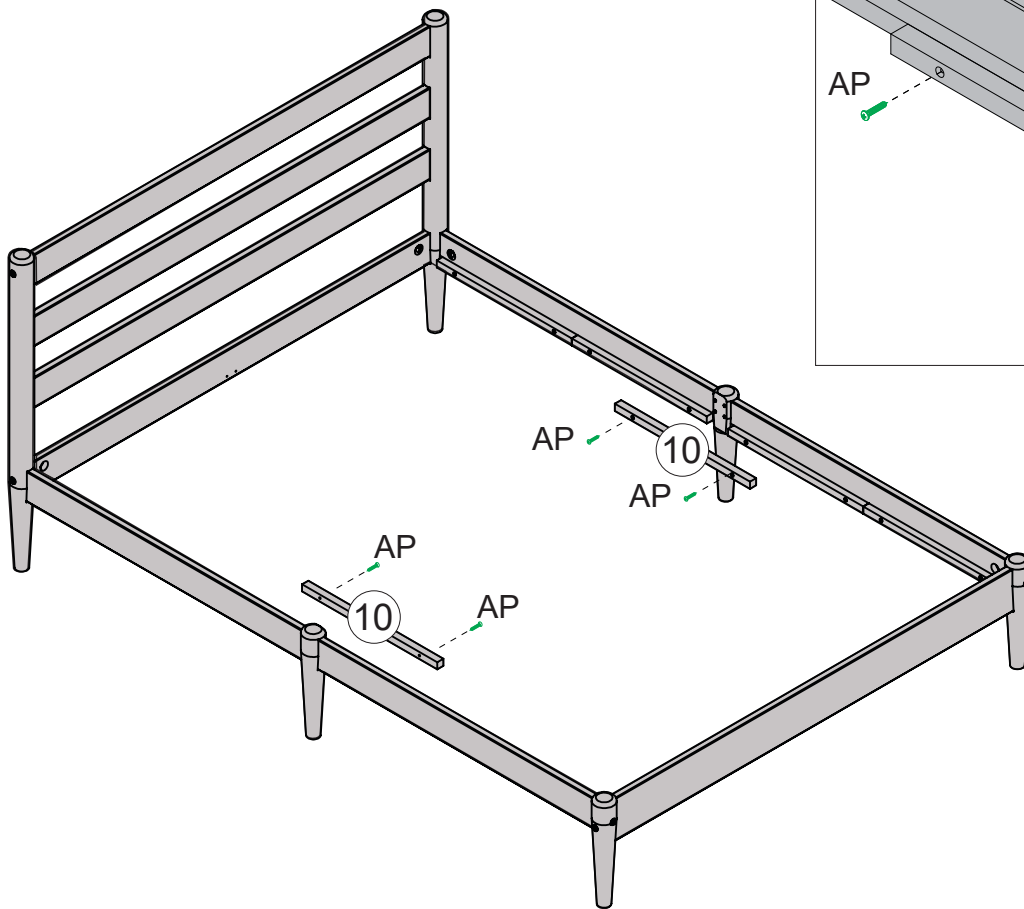
Step - 05



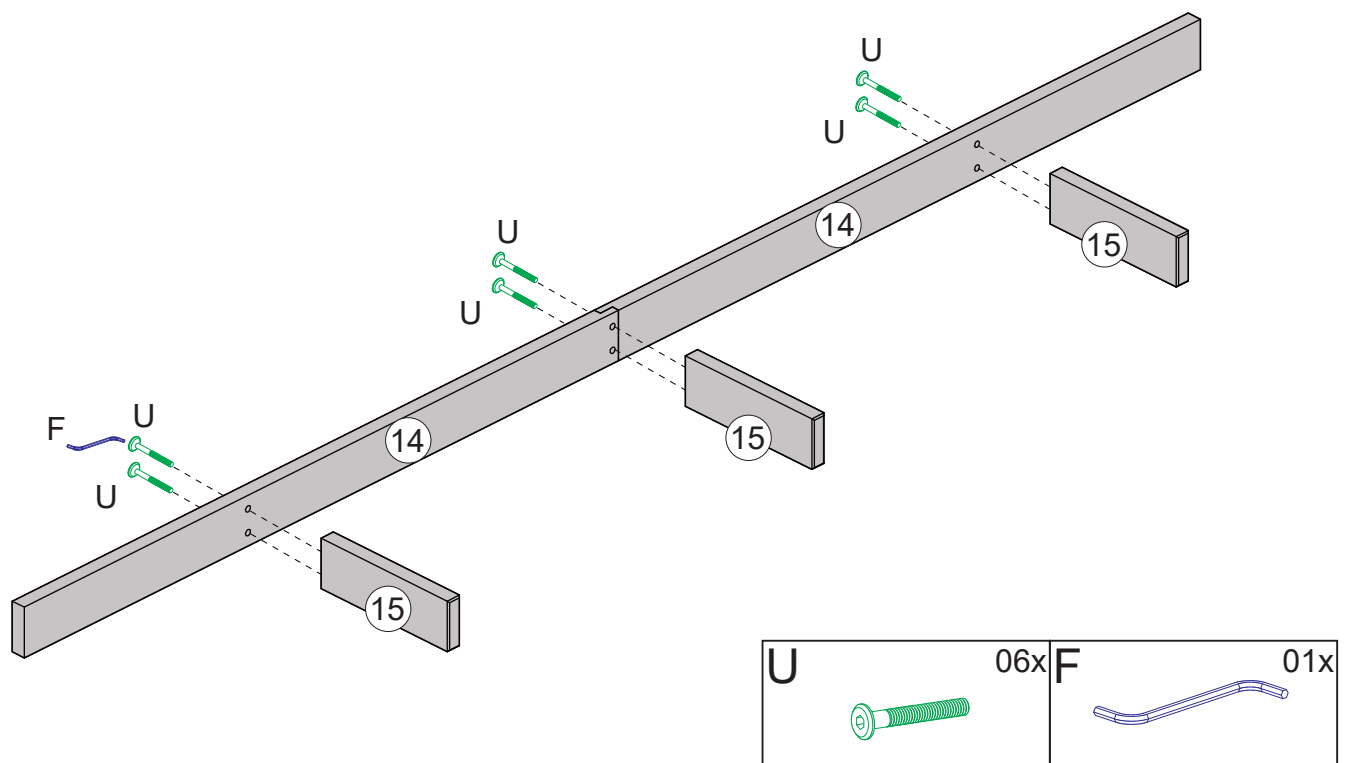
Step - 06



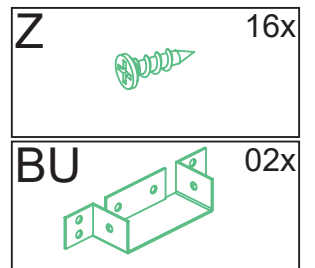
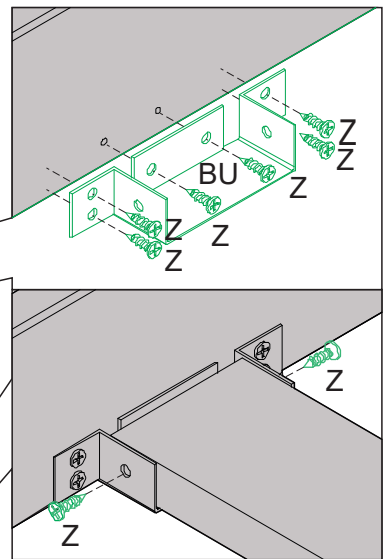
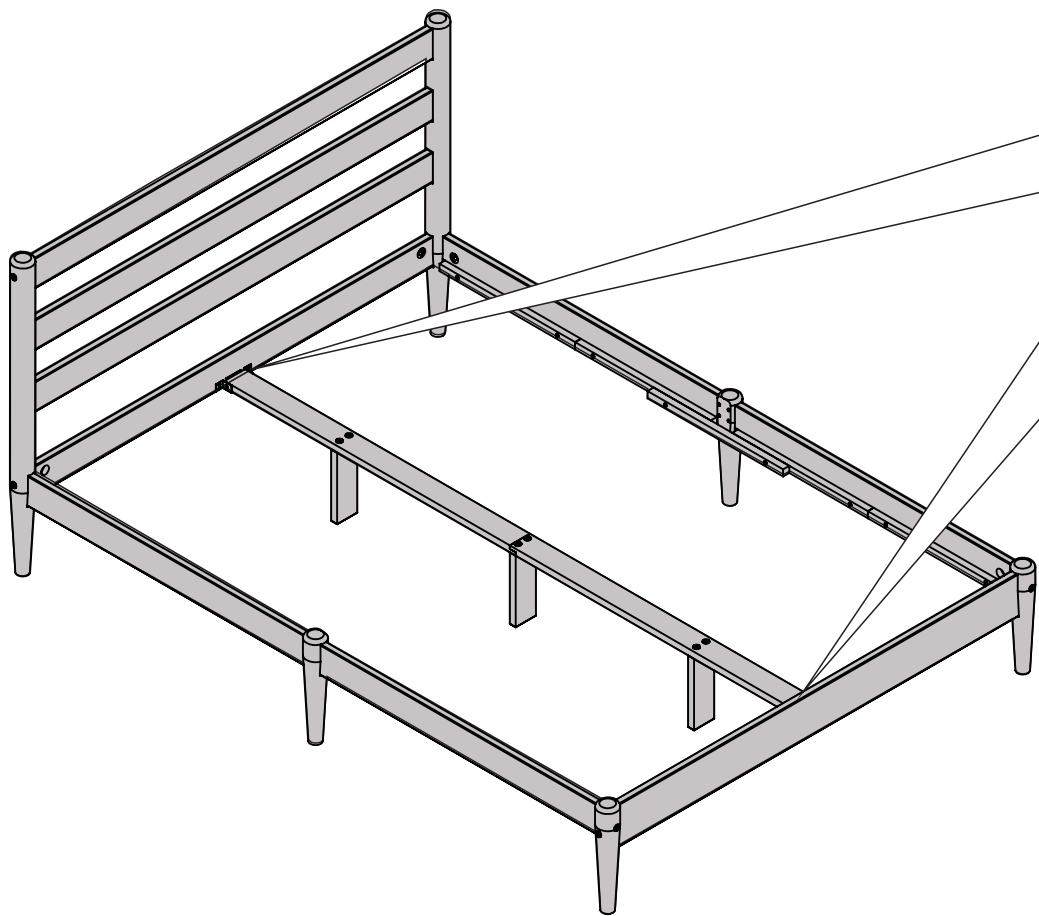
Step - 07



Step - 08

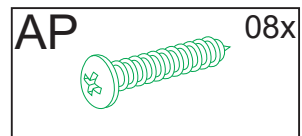
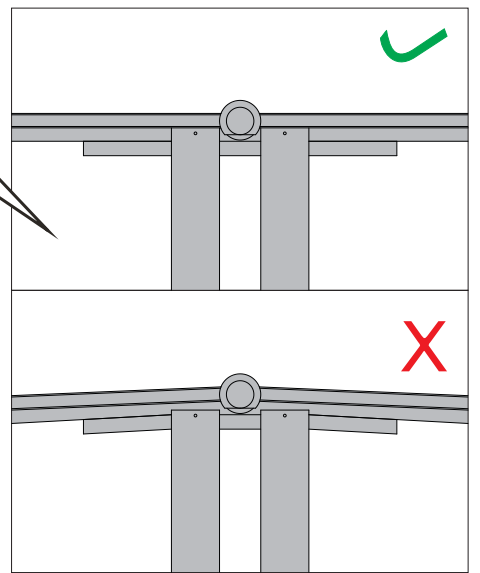
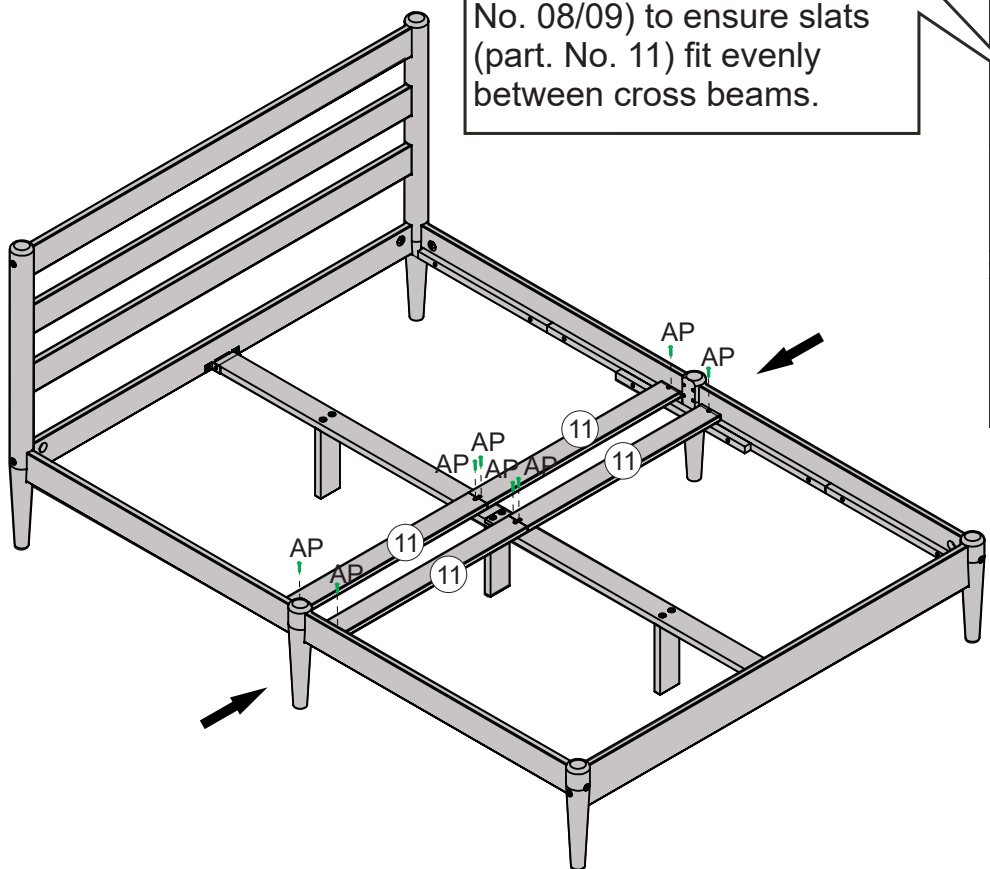


Step - 09



Step - 10

Before you screw in the slats, apply pressure to center of cross beams (part. No. 08/09) to ensure slats (part. No. 11) fit evenly between cross beams.



Step - 11

