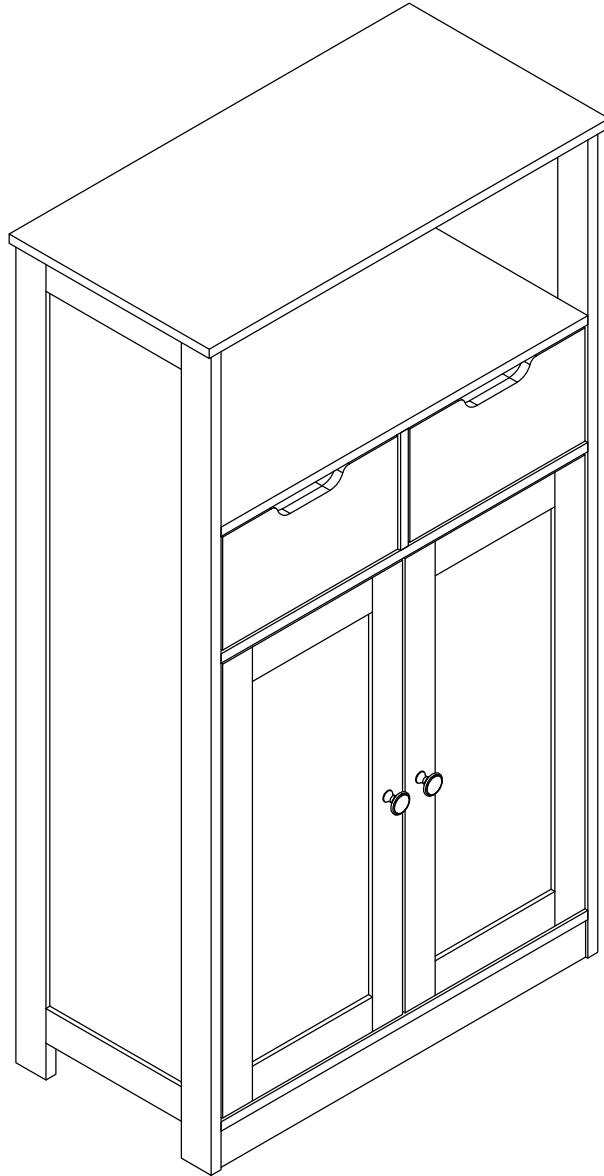


Instruction Manual

Cabinet



Notes:

1. ASSEMBLY PREPARATION AND TIPS FOR ASSEMBLY

- 1). Remove all packaging materials, staples and packing straps from the carton.
- 2). Refer to Parts List and Hardware List, and ensure parts and hardware are correct before assembly.
Contact customer service for missing parts.
- 3). Place all wooden parts on a clean, flat and soft surface (e.g. carpet or rug) to prevent scratch and damage to parts.
- 4). Allow ample room for assembly and assemble the product near where the product will be placed.
- 5). During assembly, do not over-tighten any fittings as this may cause damage.
- 6). Always place the product on a flat, level surface.

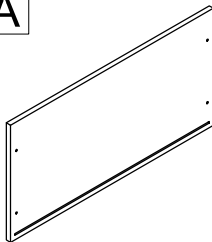
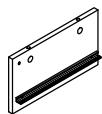
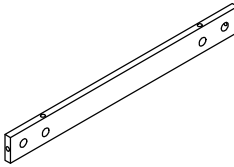
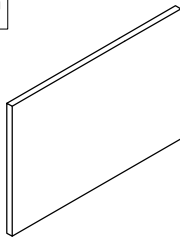
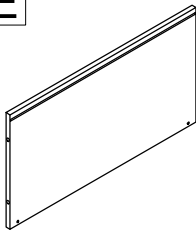
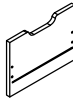
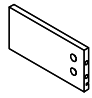
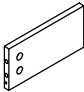
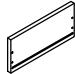
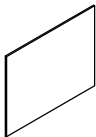
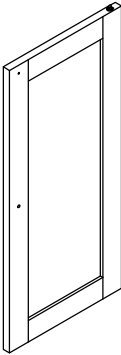
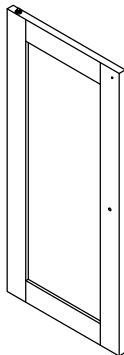
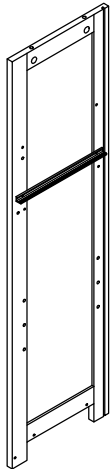
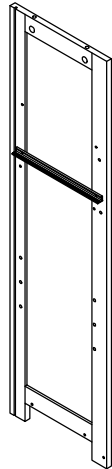

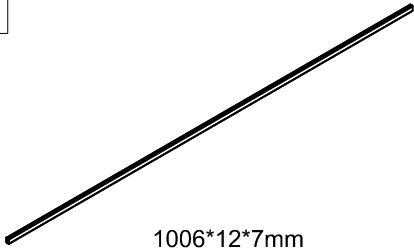
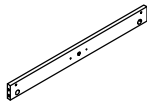
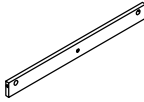
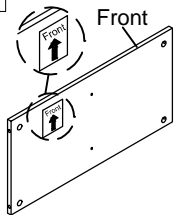
2. CARE AND MAINTENANCE

- 1). KEEP ALL HARDWARE PARTS OUT OF REACH OF CHILDREN.
- 2). Wipe clean with a soft, dry cloth; avoid the use of harsh chemicals or household cleaners as they may damage the exterior finish of the furniture.
- 3). Hardware may loosen over time. Periodically, check that all connections are tight; re-tighten as necessary.







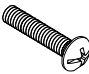



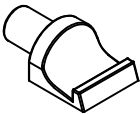
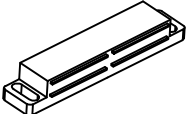
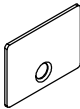
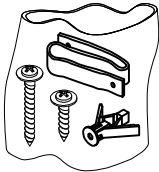
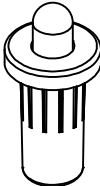
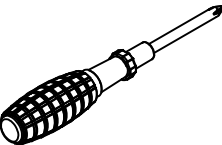
3. TIPS TO PROTECT & CARE FOR YOUR FURNITURE

- 1). Avoid placing your furniture in direct sunlight, as sunlight causes fading.
- 2). Use a protective pad when writing on the furniture surface.
- 3). Use cutting boards and trivets for food preparation in order to avoid damaging the top for the unit.

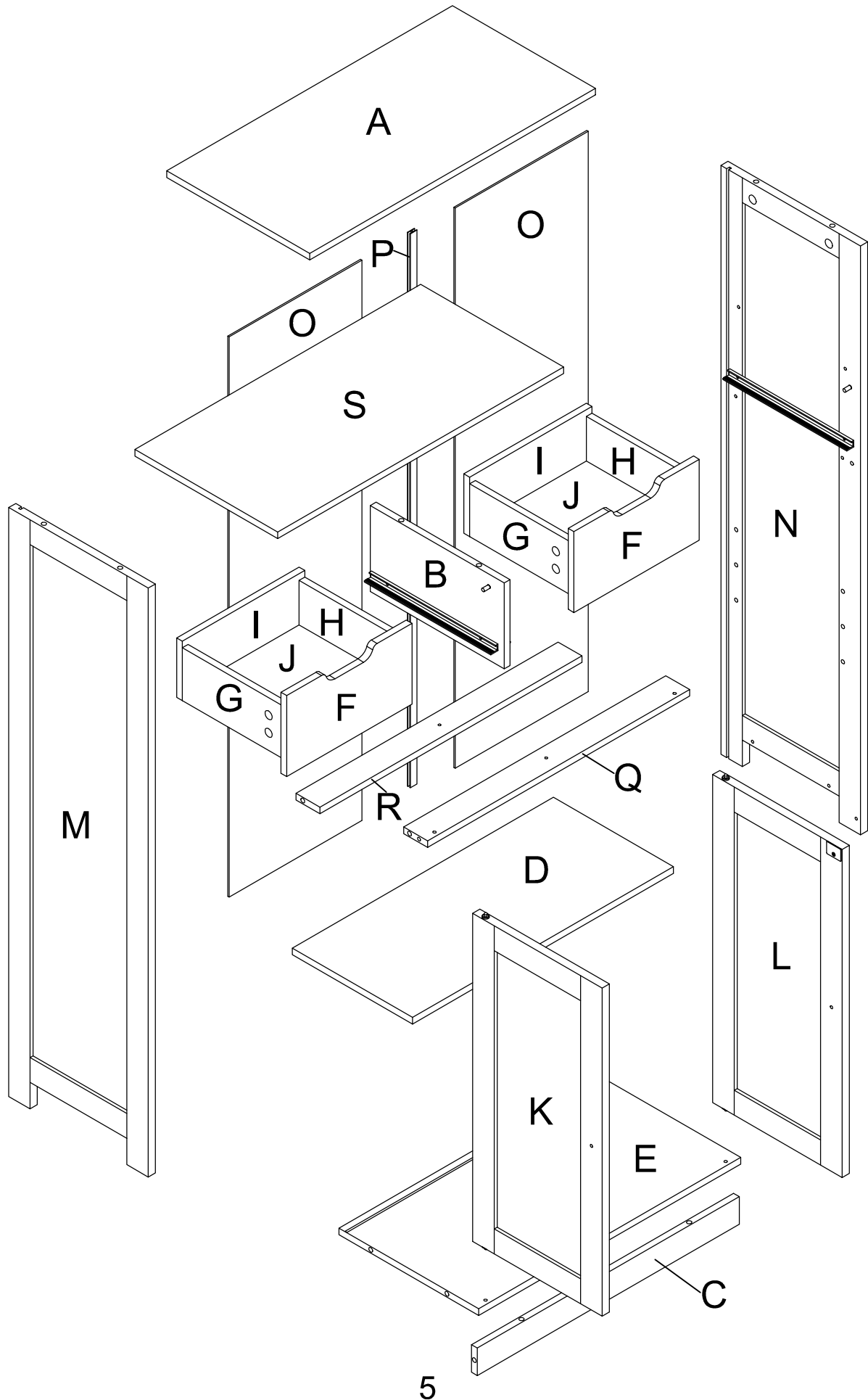
PART LIST

				
<p>Top Panel 1 PC</p>	<p>Partition Panel 1 PC</p>	<p>Front Foot Board 1 PC</p>	<p>Adjustable Shelf 1 PC</p>	<p>Bottom Panel 1 PC</p>
				
<p>Drawer Front Panel 2 PCS</p>	<p>Drawer Left Panel 2 PCS</p>	<p>Drawer Right Panel 2 PCS</p>	<p>Drawer Back Panel 2 PCS</p>	<p>Drawer Bottom Panel 2 PCS</p>
				
<p>Left Door 1 PC</p>	<p>Right Door 1 PC</p>	<p>Left Panel 1 PC</p>	<p>Right Panel 1 PC</p>	<p>Back Panel 2 PCS</p>
				
<p>1006*12*7mm Back Plastic Strip 1 PC</p>	<p>Front Rail 1 PC</p>	<p>Back Rail 1 PC</p>	<p>Fixed Shelf Panel 1 PC</p>	

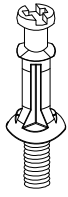
HARDWARE LIST

<p>#1</p>  <p>M5*18mm Round Screw</p>	<p>#2</p>  <p>Ø6*30mm Wood Dowel</p>	<p>#3</p>  <p>Ø3.5*30mm Screw</p>	<p>#4</p>  <p>Ø6*35mm Cam-bolt</p>	<p>#5</p>  <p>Ø15*9mm Cam-lock</p>
<p>4PCS (Extra 1)</p>	<p>2PCS (Extra 1)</p>	<p>10PCS (Extra 2)</p>	<p>30PCS (Extra 3)</p>	<p>30PCS (Extra 3)</p>
<p>#6</p>  <p>Handle</p>	<p>#7</p>  <p>M4*22mm Round Head Bolt</p>	<p>#8</p>  <p>Back Bracket</p>	<p>#9</p>  <p>Ø3.5*15mm Screw</p>	<p>#10</p>  <p>Ø3*12mm Screw</p>
<p>2 PCS</p>	<p>2 PCS</p>	<p>10 PCS (Extra 2)</p>	<p>12 PCS (Extra 2)</p>	<p>2 PCS</p>
<p>#11</p>  <p>Ø6.5*19.5*11.5mm Shelf Holder</p>	<p>#12</p>  <p>70*17*13mm Double Door Magnet</p>	<p>#13</p>  <p>30*22*1mm Door Small Plate</p>	<p>#14</p>  <p>Safety Strap Kit</p>	 <p>Center Axis (Extra)</p>
<p>4 PCS (Extra 1)</p>	<p>1 PC</p>	<p>2 PCS</p>	<p>2 SET</p>	<p>2 PCS</p>
				
<p>Phillips Screwdriver</p> <p>1 PC</p>				

ASSEMBLY OVERVIEW



Instructions For Fastening CAM-BOLT and CAM-LOCK

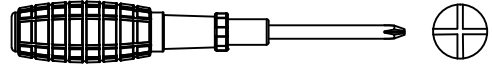


CAM-BOLT

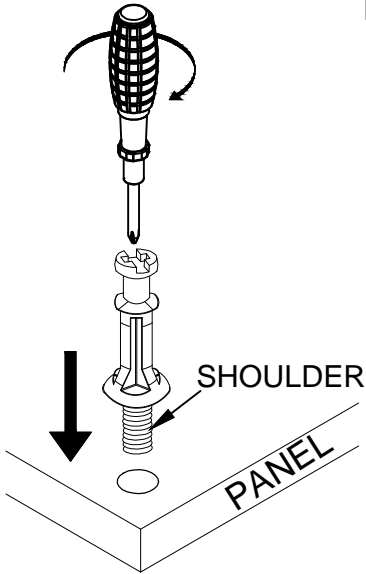


CAM-LOCK

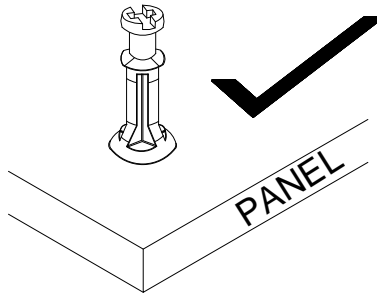
Tools Required



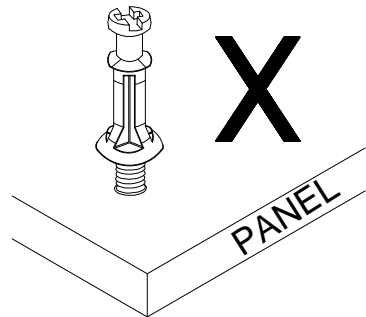
INSERTING AND TIGHTENING CAM-BOLT



Place Cam-bolt on pre-drilled hole and screw in vertically



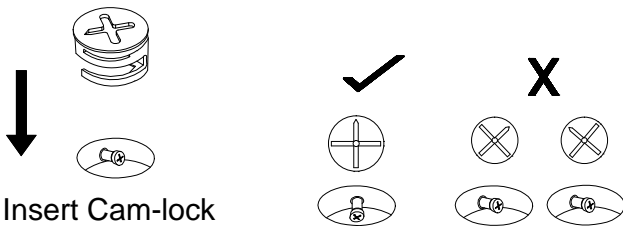
Shoulder is flushed (on the same level) with the panel.



Shoulder is above the panel.

Place Cam-bolt on the designated pre-drilled holes on the panel. Use a Phillips Screwdriver to screw-in Cam-bolt vertically until shoulder is flushed (on the same level) with panel.

INSERTING CAM-LOCK



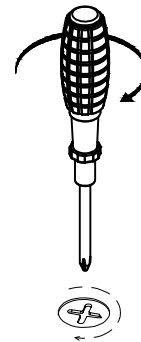
Insert Cam-lock with arrow align to Cam-bolt head

CORRECT

WRONG

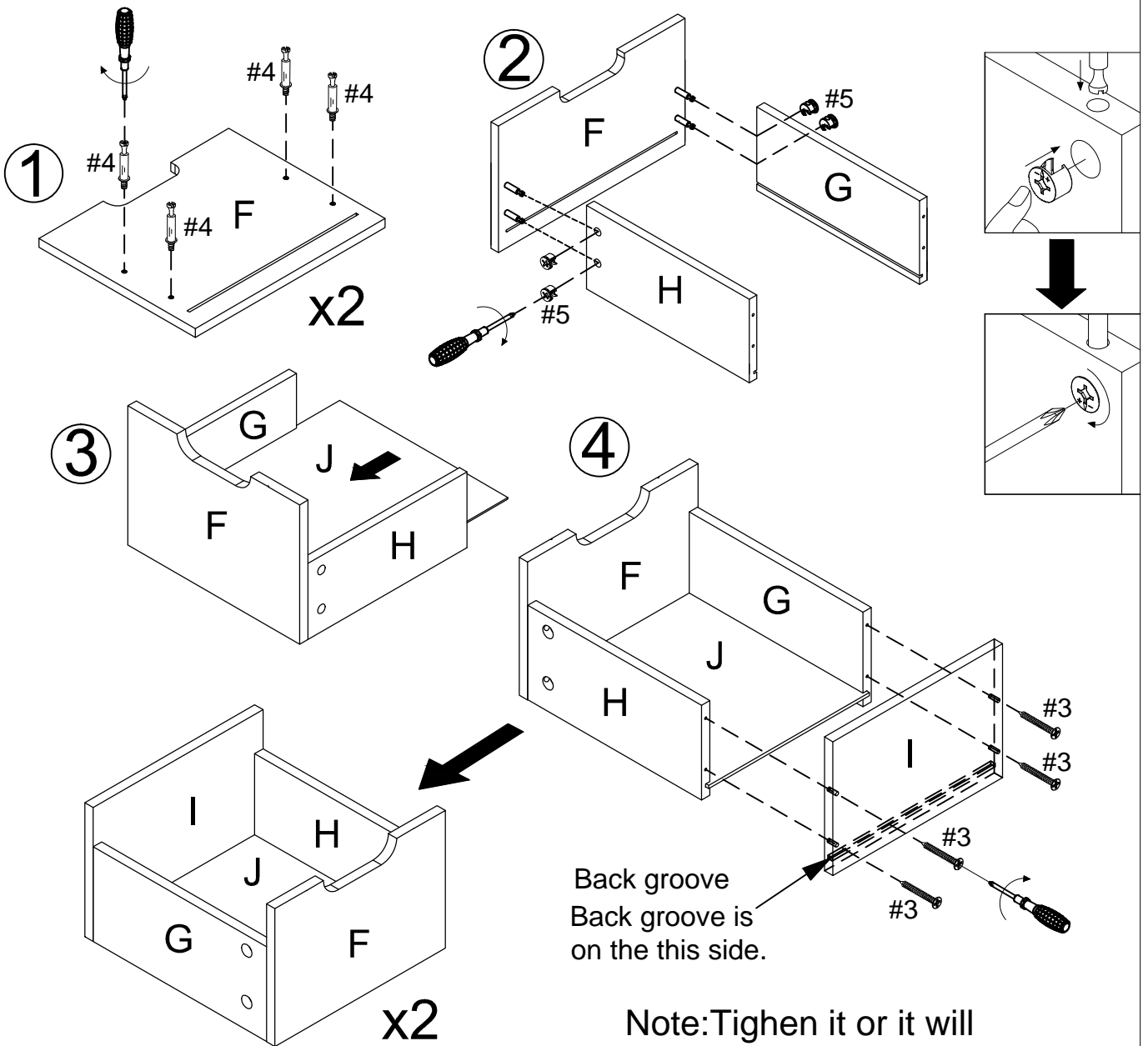
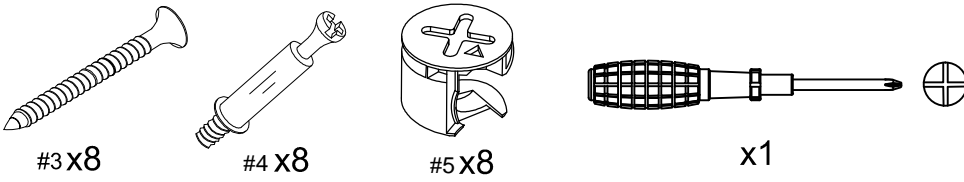
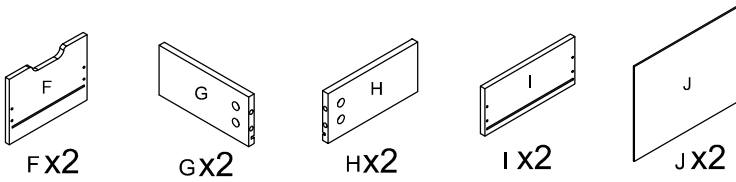
Align the arrow on the Cam-lock to the Cam-bolt head and insert the Cam-lock. Ensure Cam-lock is fully inserted.

TIGHTENING CAM-LOCK



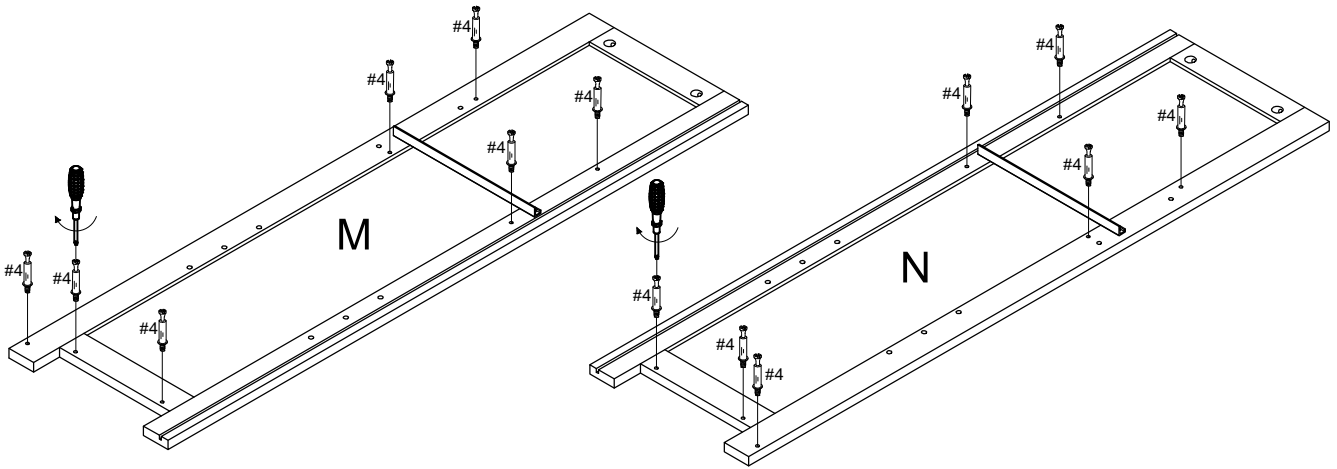
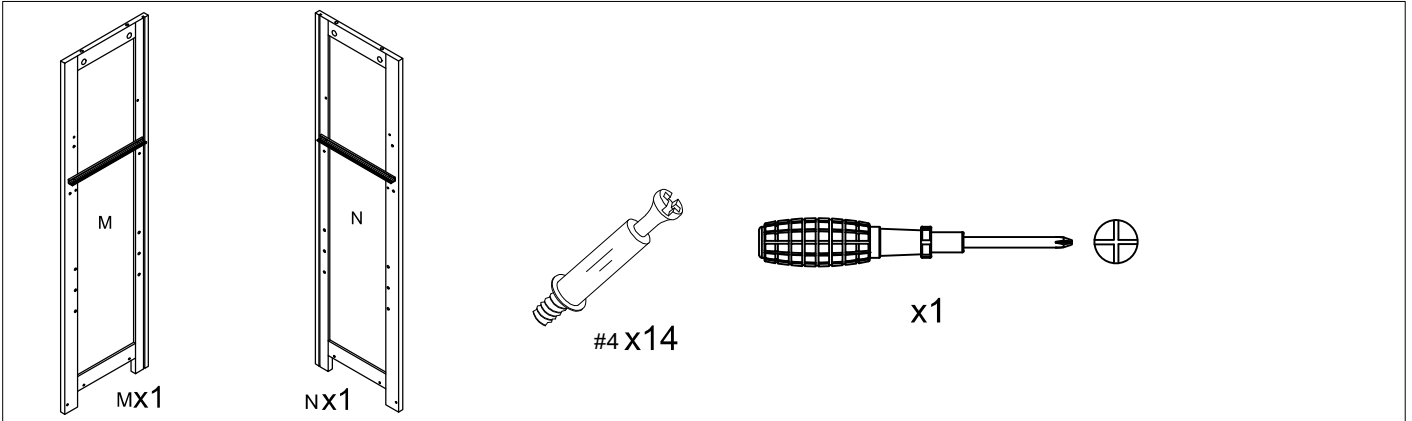
Use a Flat-head Screwdriver to turn Camlock clockwise so it locks onto the head of the Cam-bolt. Turn until it is snug (about 3/4ths of a turn) -- over-tightening could damage Cam-lock or/and Cam-bolt.

Step 1.

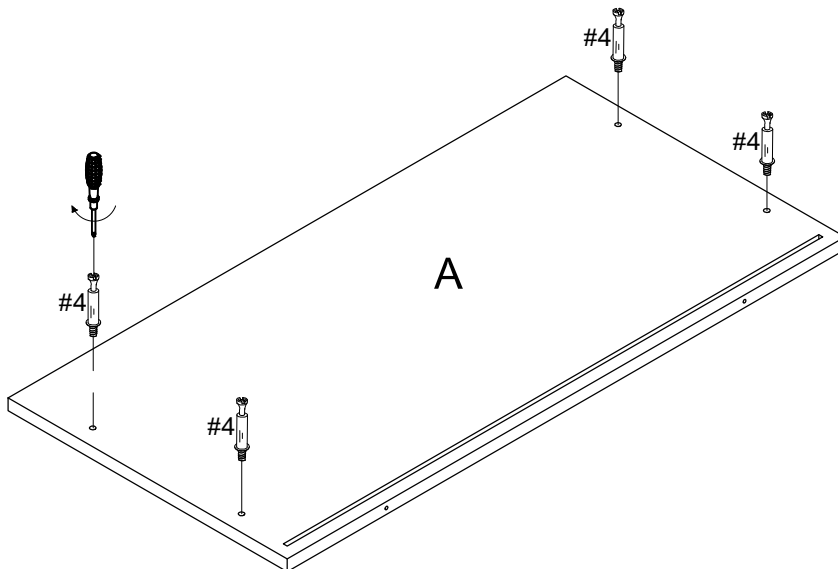
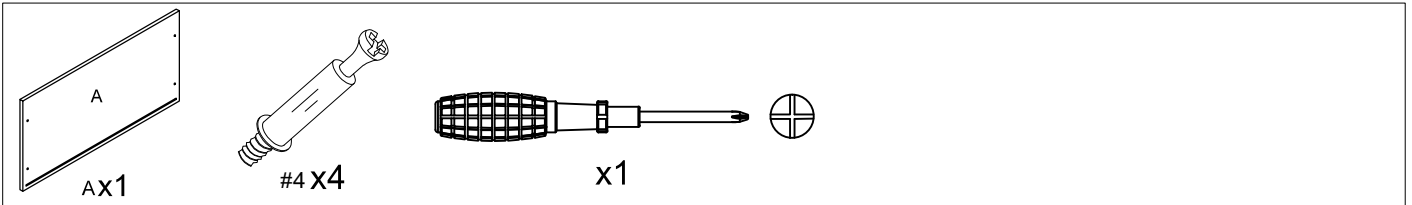


Note: Tighen it or it will cause wobble.

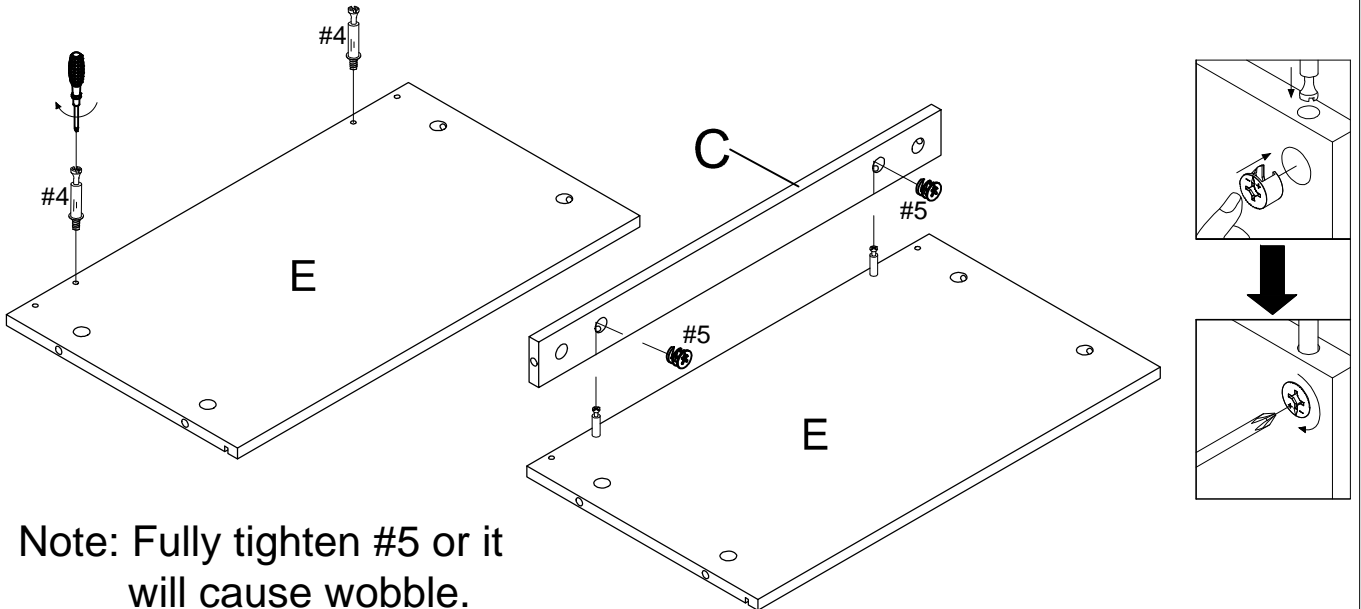
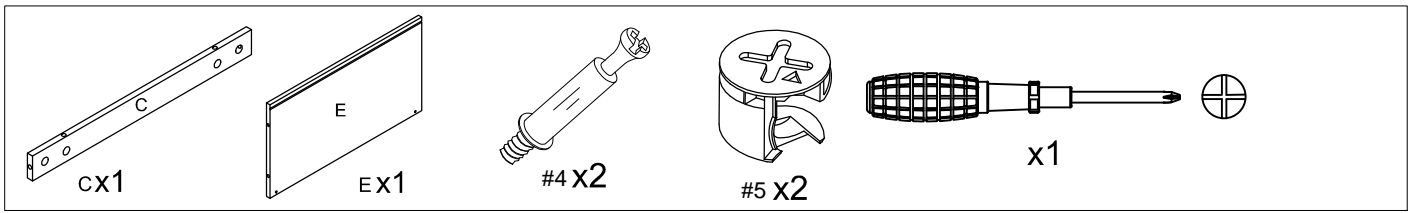
Step 2.



Step 3.

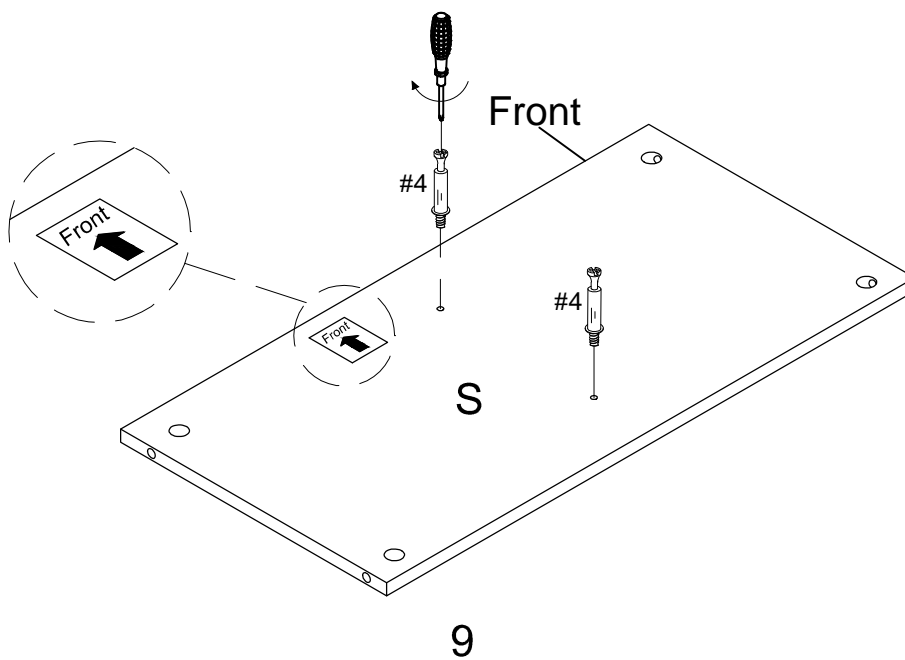
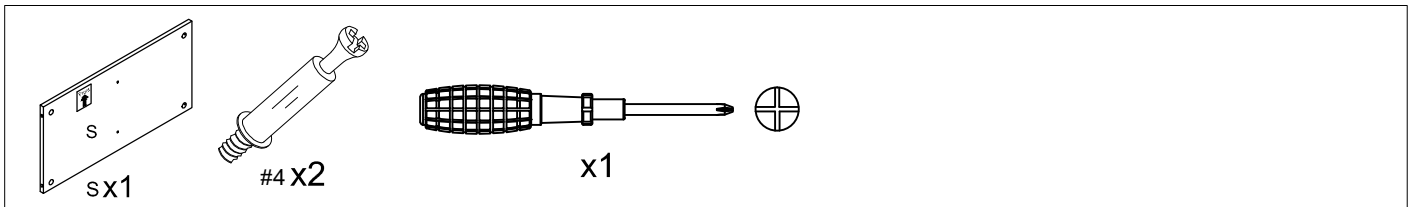


Step 4.

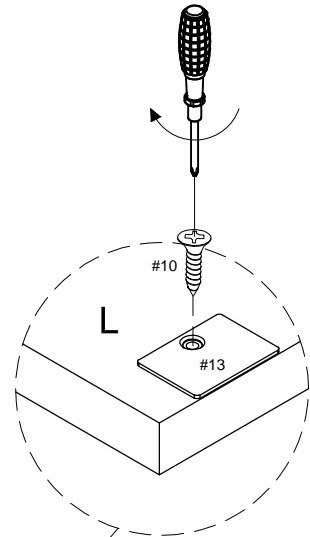
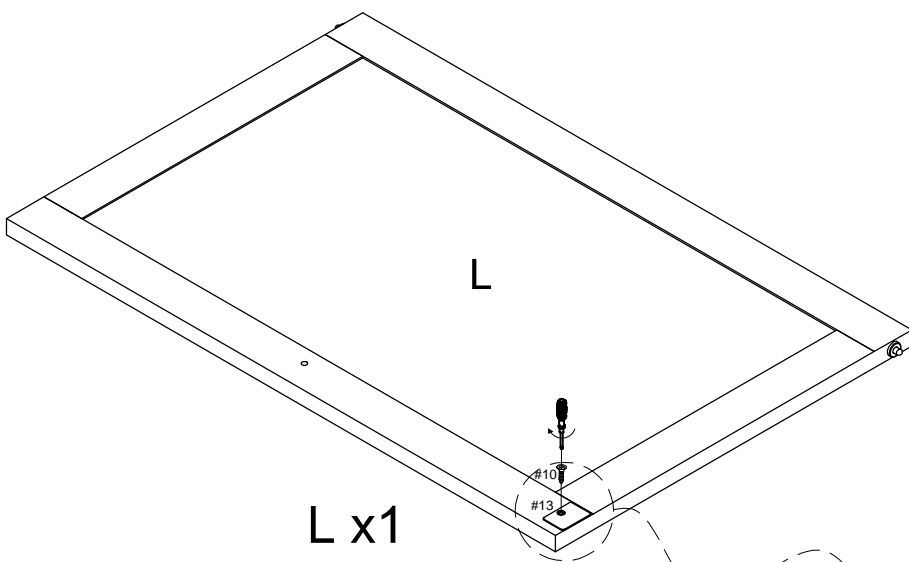
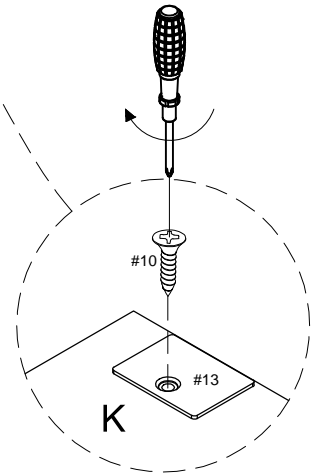
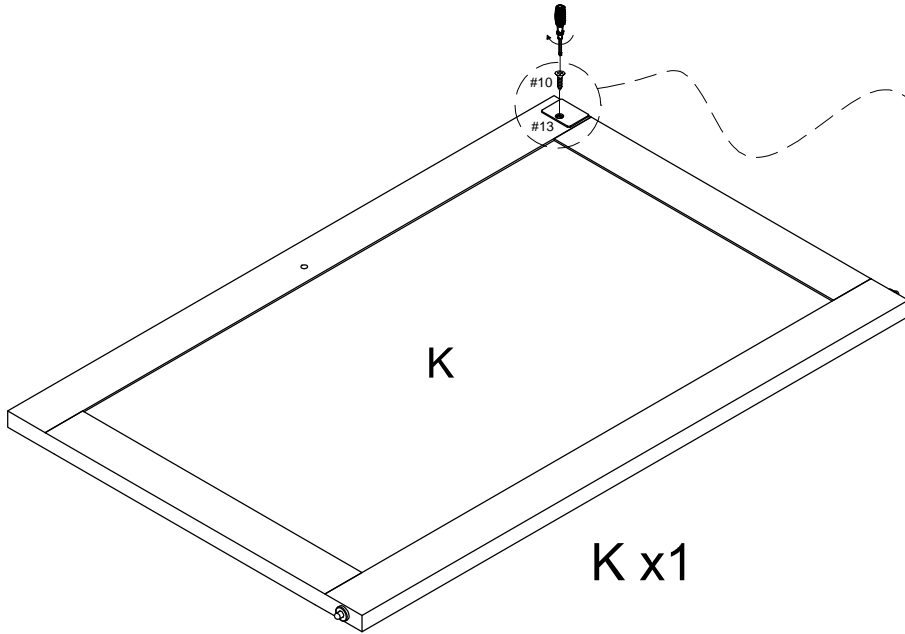
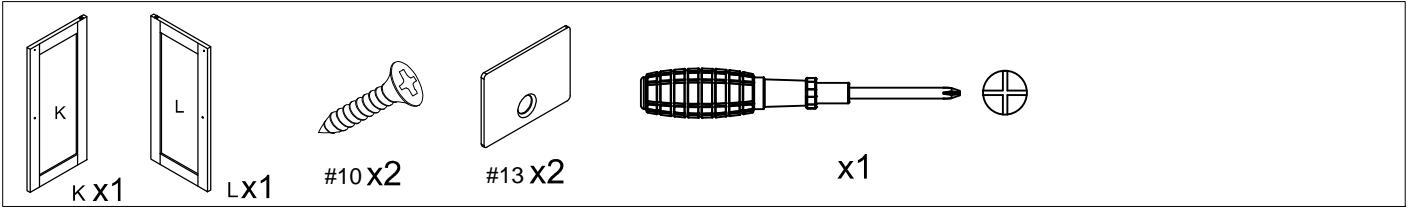


Note: Fully tighten #5 or it will cause wobble.

Step 5.



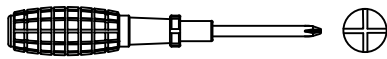
Step 6.



Step 7.

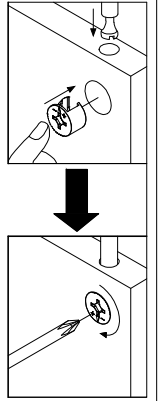
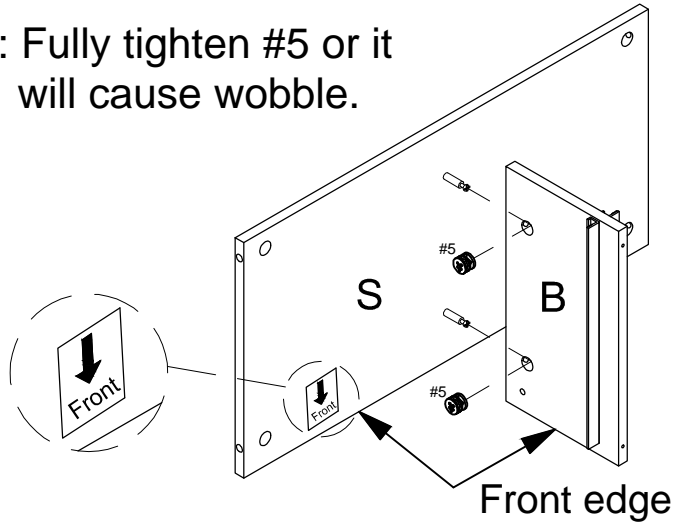


#5 X2

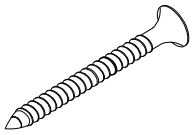


x1

Note: Fully tighten #5 or it will cause wobble.



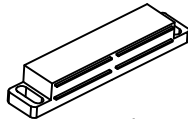
Step 8.



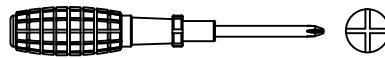
#3 X2



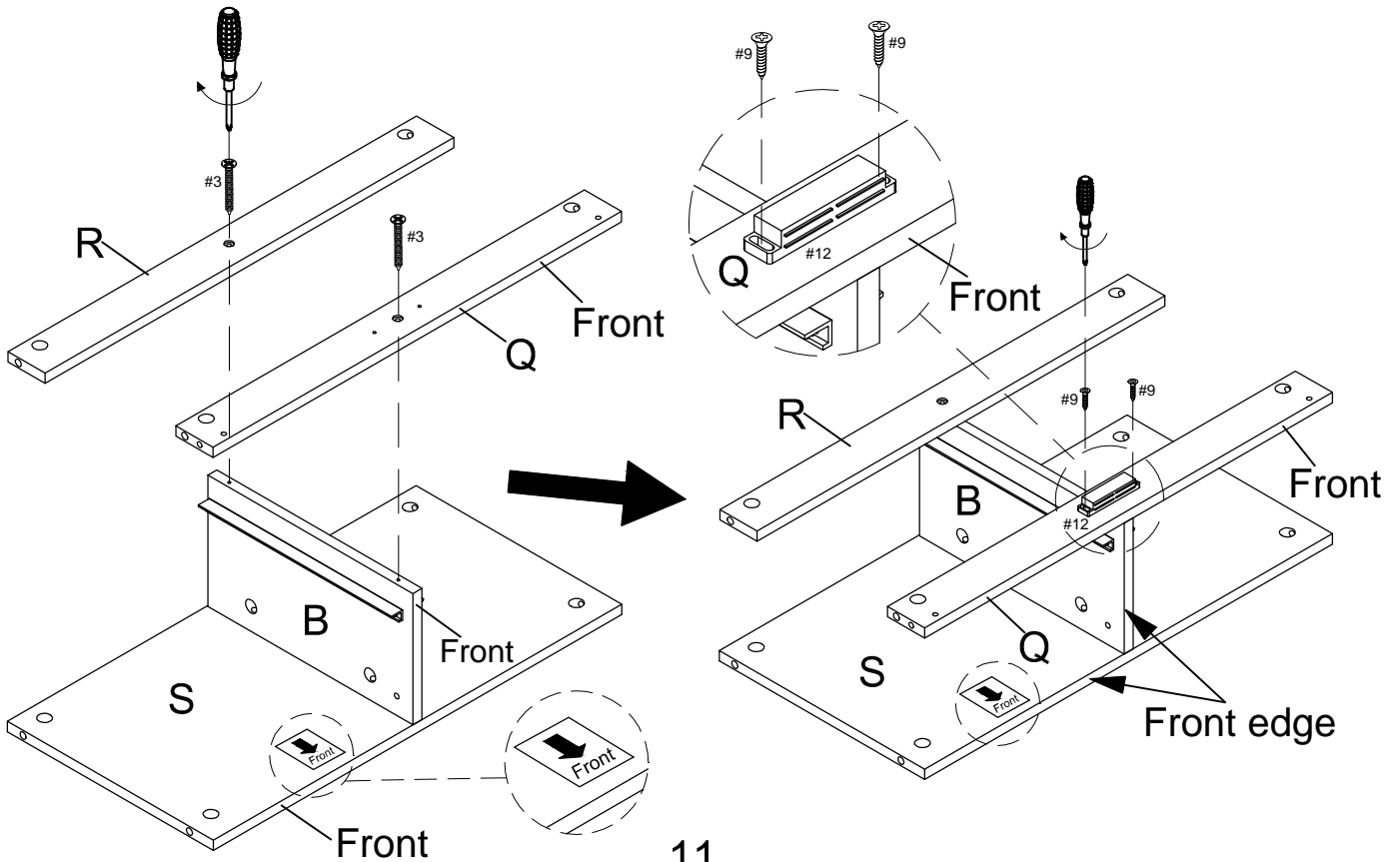
#9 X2



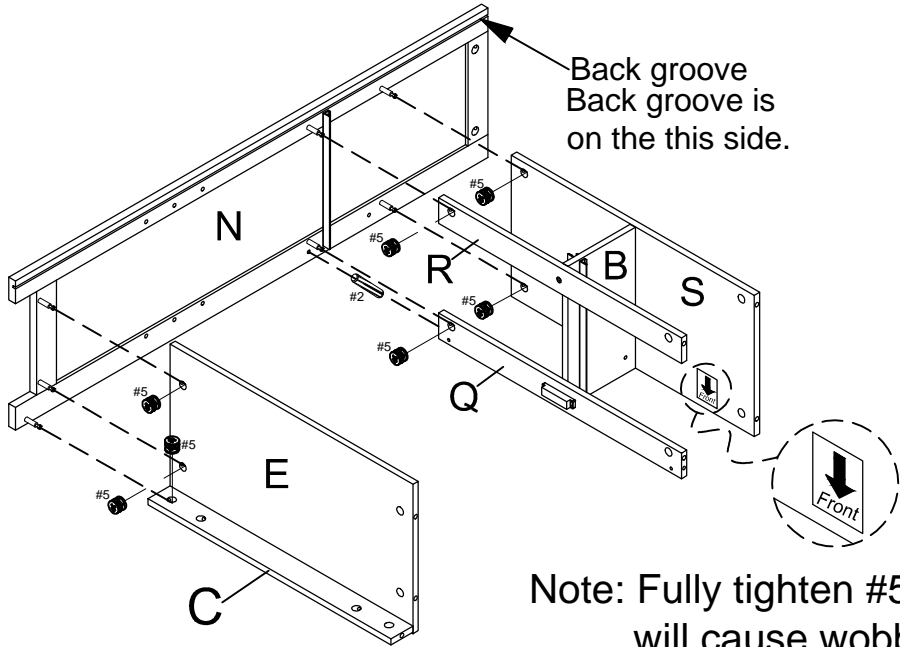
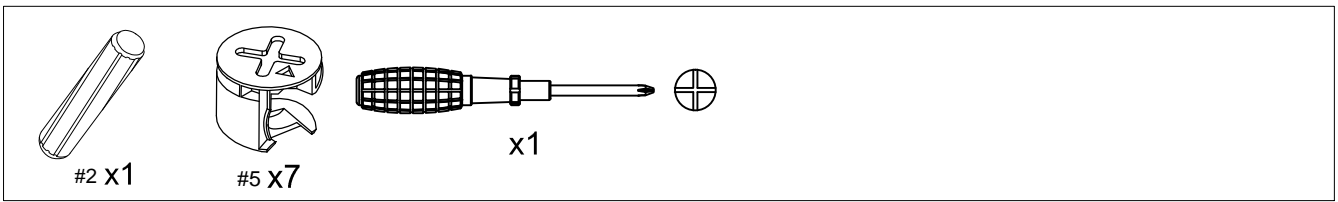
#12 X1



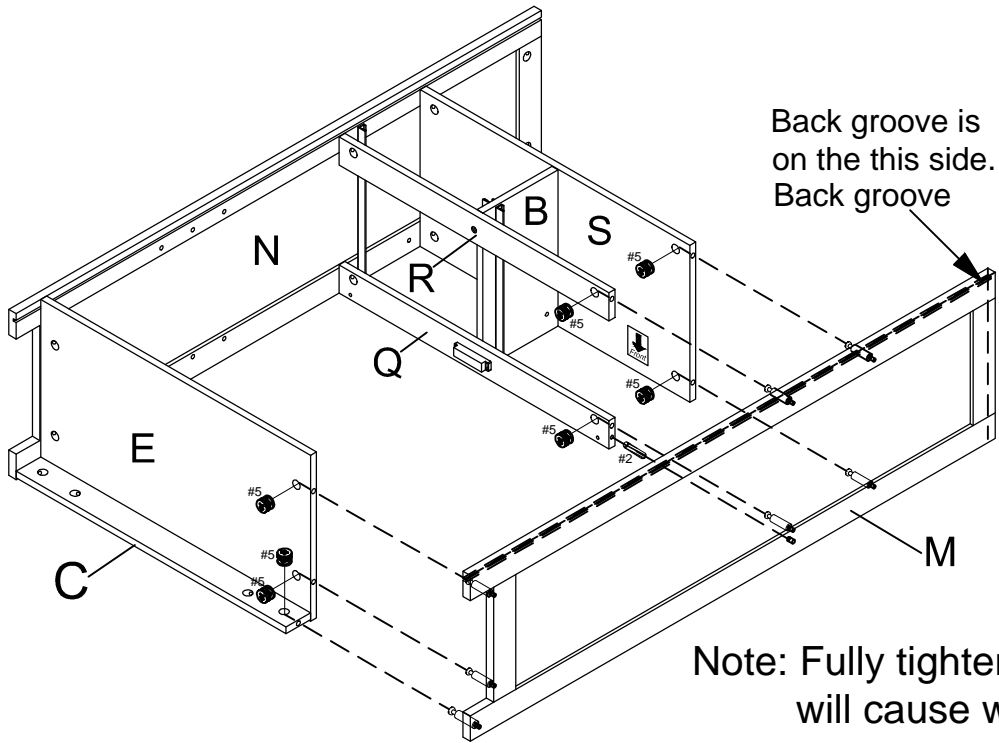
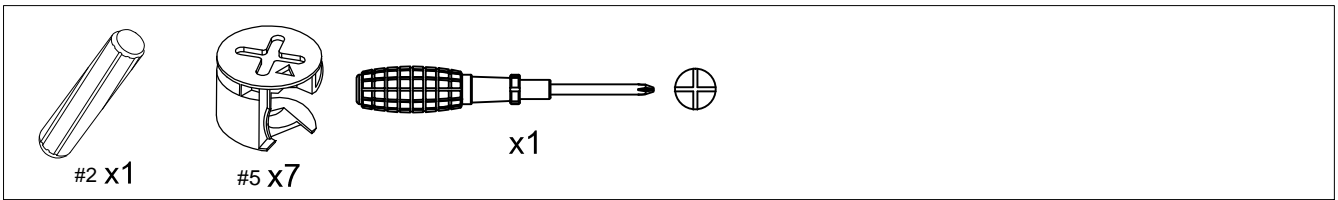
x1



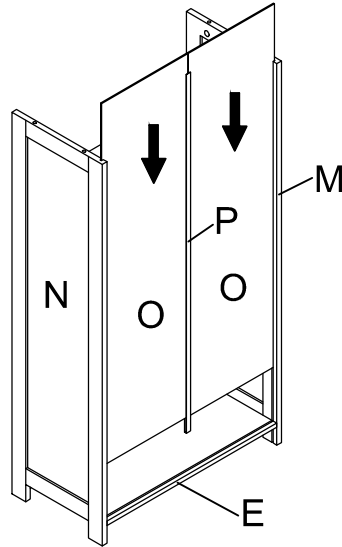
Step 9.



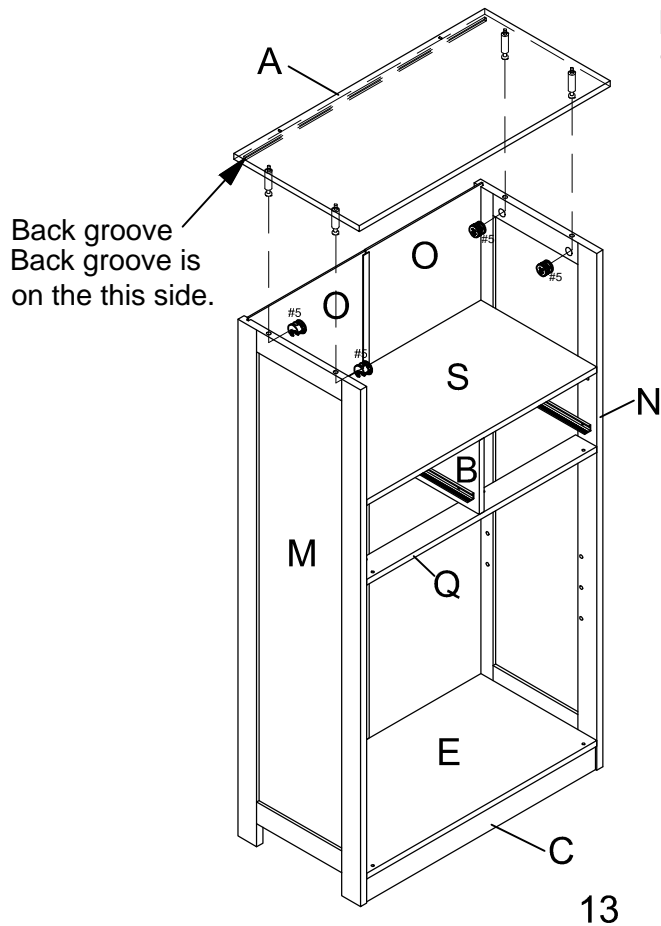
Step 10.



Step 11.

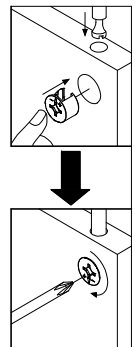


Step 12.

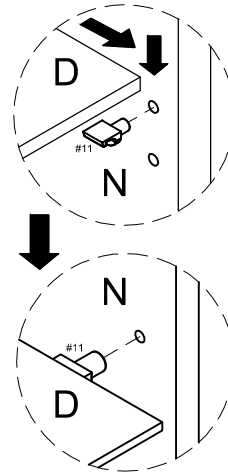
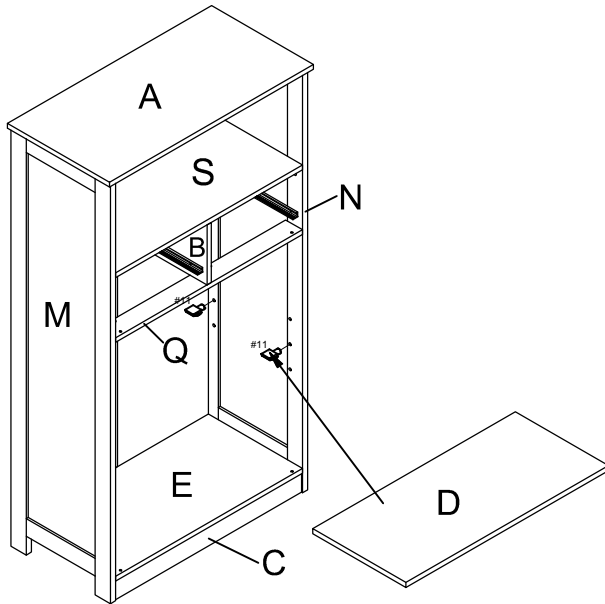


Note:

1. The groove on A needs to be aligned with O.
2. Fully tighten #5 or it will cause wobble.

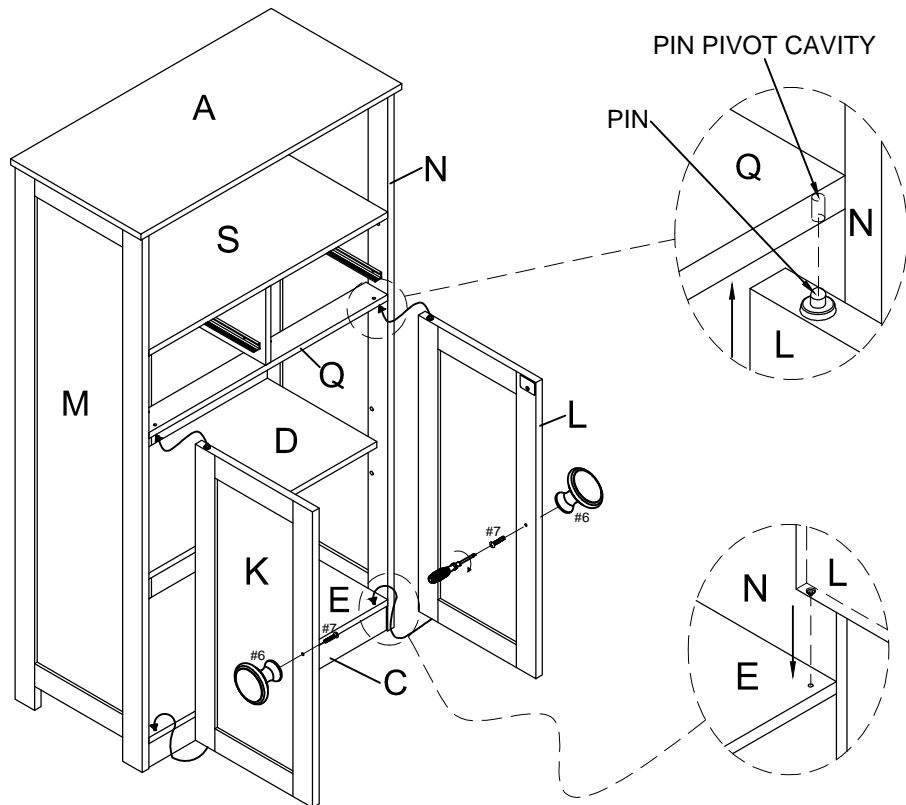
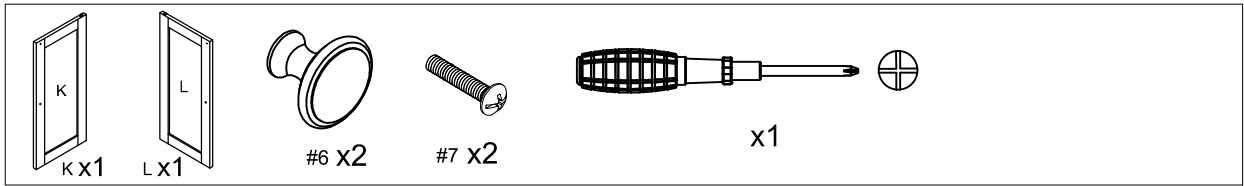


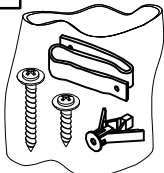
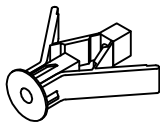
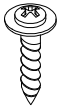

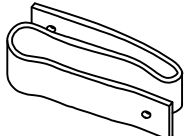
Step 13.

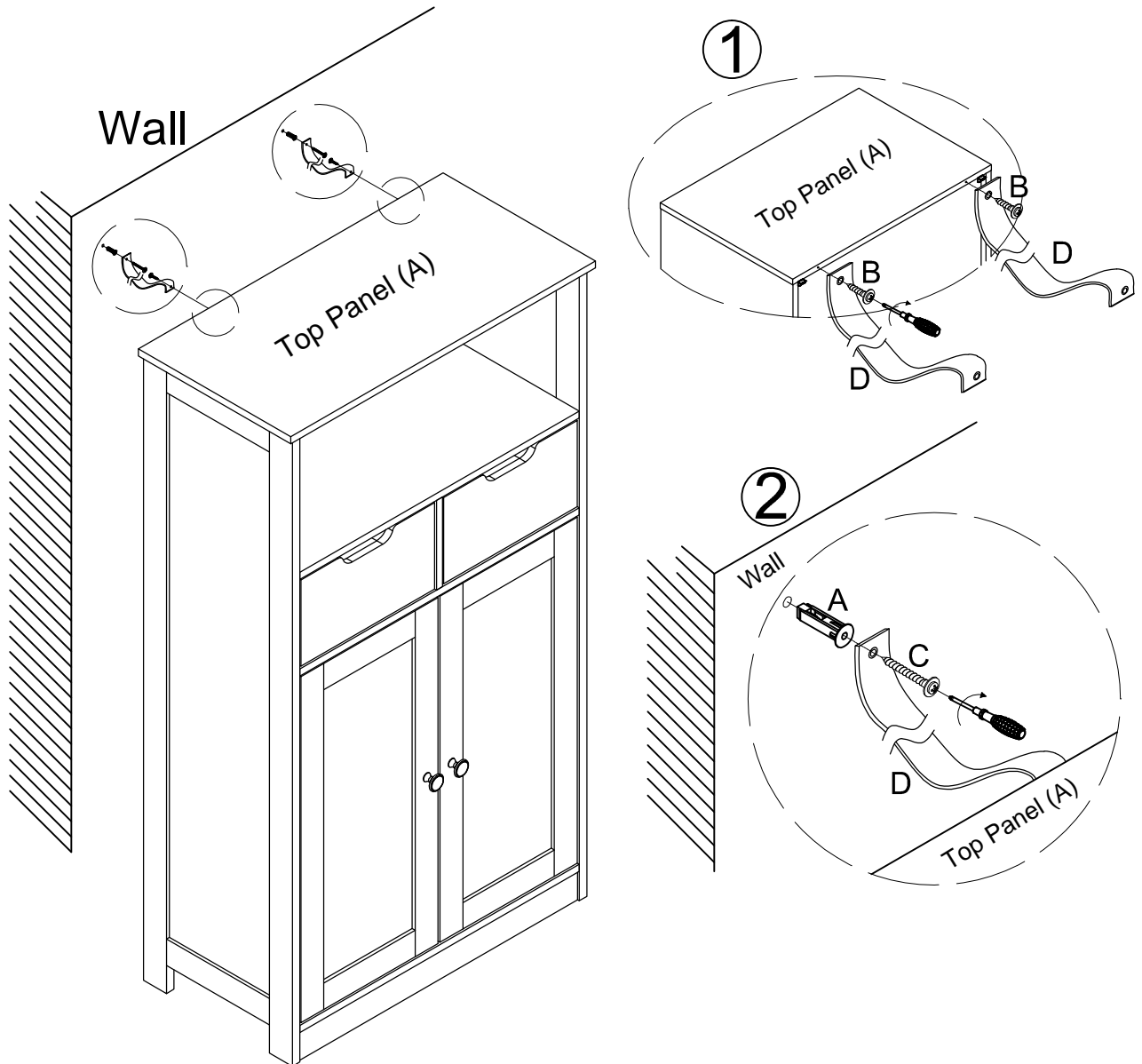


Note: Adjustable for three heights.

Step 14.



#14 	A 	B  D8*3/4"	C  D8*1-1/2"	D 
Safety Strap Kit 2 SET	Wall Anchor 2 PCS	Short Screw 2 PCS	Long Screw 2 PCS	Safety Wall Strap 2 PCS



SAFETY WALL STRAP INSTALLATION

Install the safety strap to prevent tip-over which can cause damage and/or injury.

1. Insert Short Screw (B) and Safety Strap (D) to screw onto the Back edge of Top Panel (A). Use a Phillips screwdriver to drive (B).
2. At the location where you want to secure the unit, drill a hole to fit Wall Anchor (A) snugly. The drilled hole has to level with safety strap on the back edge of (A).
3. Next, fit Wall Anchor (A) into the drilled hole.
4. Insert Long Screw (C) and Safety Strap (D) to screw into Wall Anchor (A). Use a Phillips screwdriver to drive (C).

The assembly of the buffet unit is complete.