



ASSEMBLY INSTRUCTION

**COFFEE TABLE
STYLE NO. IND-T403**

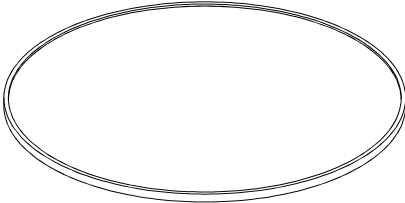
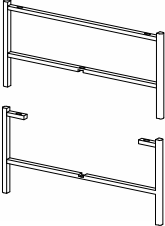


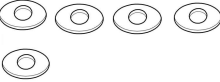
- ! Do not throw away packaging materials until assembly is complete.
- ! Assemble this item on a soft surface, such as cardboard or carpet, to protect finish.
- ! Proper assembly of this item requires 2 people & would require approx 20 minutes to assemble.

CARE INSTRUCTIONS

Wipe with a soft, dry cloth. To protect finish, avoid the use of chemicals and household cleaners.
Any liquid spilled onto the table should be cleaned up immediately with a damp cloth.

Thank you for purchasing this quality product. Be sure to check all packing material carefully for small parts, which may have come loose inside the carton during shipment. Identify and count all parts and compare with the hardware and parts list below.

PART LIST & HARDWARE DESCRIPTION-

<p>PART A - WOODEN CABINET (1pc)</p> 	<p>PART B- LEG (2 pc)</p> 	<p>PART C- ALLEN BOLT (5 Pcs)</p> 	<p>PART D- ALLEN KEY (1pc)</p> 
	<p>PART E - WASHER (5 Pcs)</p> 		

FHT

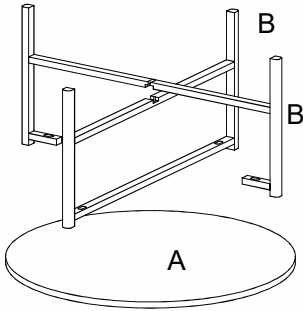
FOX HILL TRADING CO.

ASSEMBLY INSTRUCTION

COFFEE TABLE
STYLE NO. – IND-T403

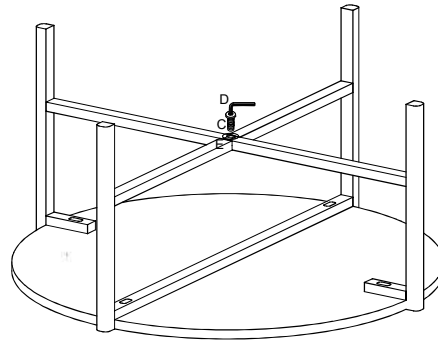
STEP OF ASSEMBLY:-

STEP 1



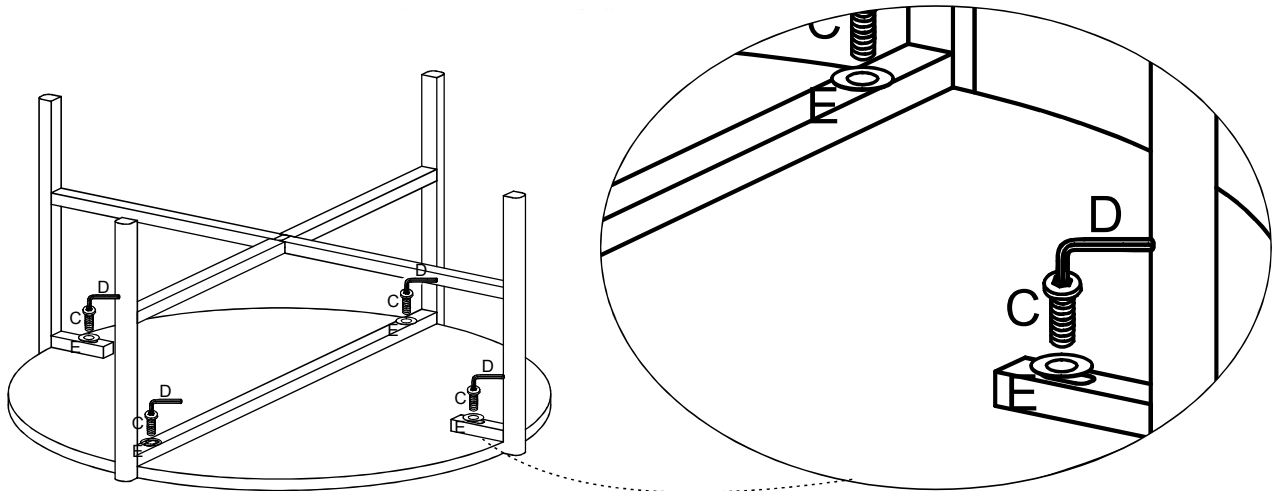
Place part A (Top) and attach legs part (B)

STEP 2



Assemble the both legs to each other and tighten the bolt

STEP 3



Tighten the Allen Bolts (C) with the help of Allen Key(D).

FINAL PICTURE

