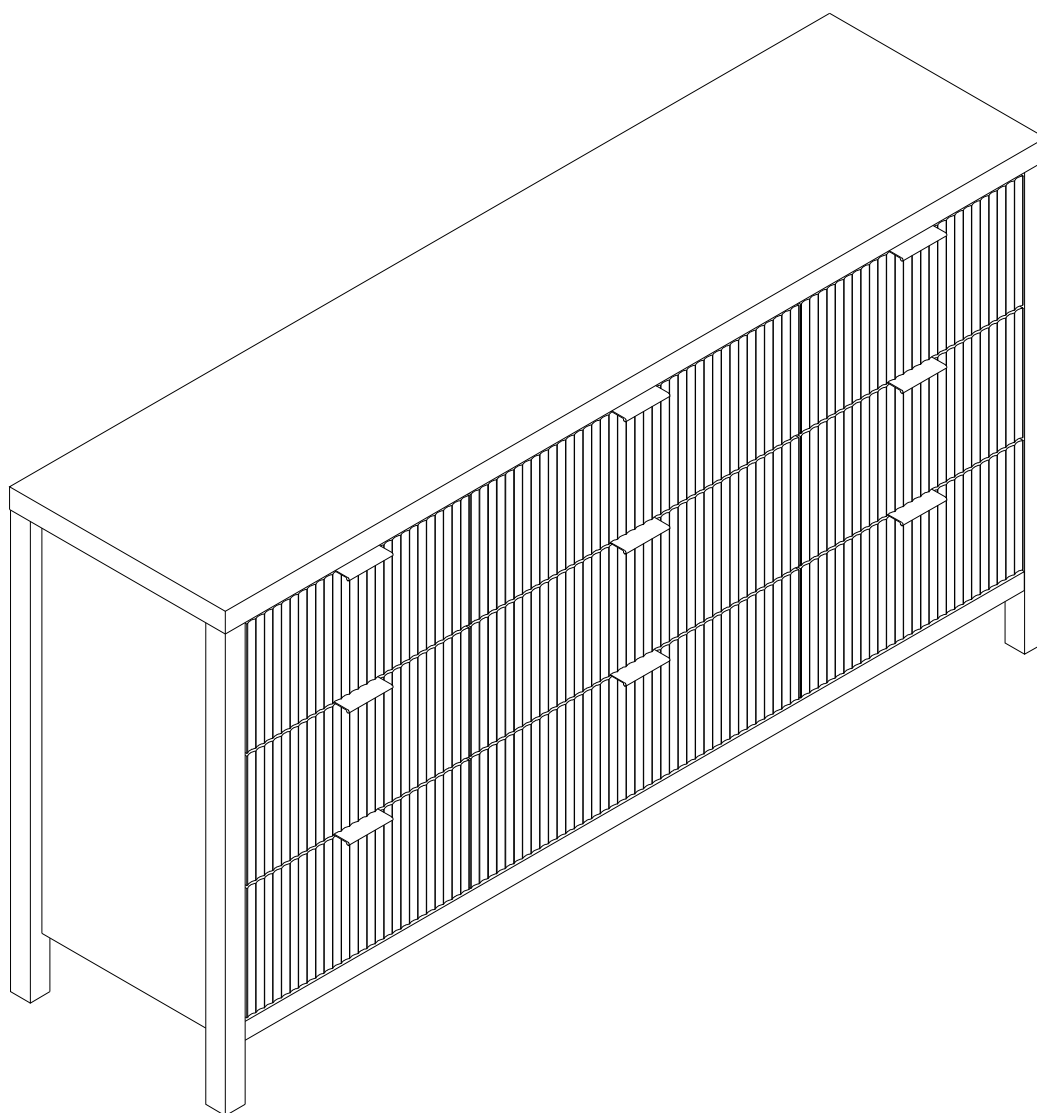


Installation Instruction



Assembling

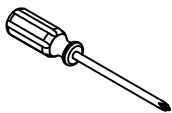
Estimated time for assembly



45 : 00

What you need

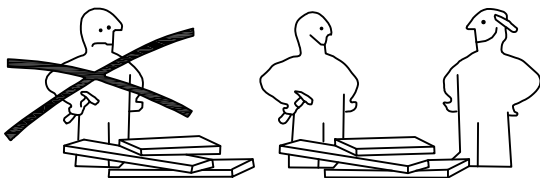
- Use the packaging carton as a working surface to prevent product damage during assembly
- Phillips head screwdriver



Weight Limitation



100 | **35**
lbs table top lbs per

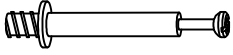


What' included

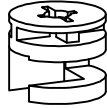
Code	Description	Qty
A	Cam Bolt M6X35MM	52
B	Cam Lock 15X10MM	52
C	Wooden Dowel M8X30MM	16
D	Screw M4X40MM	44
E	Screw M3.5X14MM	2
F	Cam Bolt M6X30MM	2
G	Nylon Strap	2
H	Screw M3.0X12MM	150
I	Metal shake handhandle	9
J	Plastic Angle code	24
K	Anchor	2
L	MATS	2
CL	Left mother extended orbit	9
CR	Right mother extended orbit	9
DL	Left public extension track	9
DR	Right public extends track	9

The Hardwares

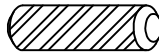
(A)



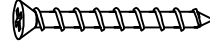
(B)



(C)



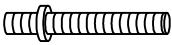
(D)



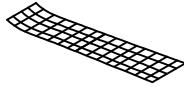
(E)



(F)



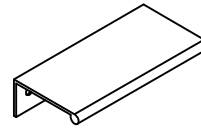
(G)



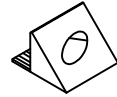
(H)



(I)



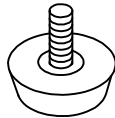
(J)



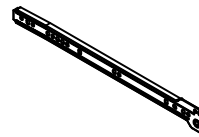
(K)



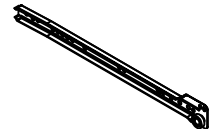
(L)



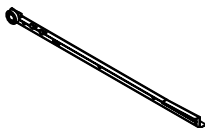
(CL)



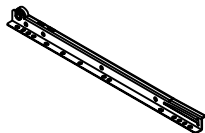
(CR)



(DL)



(DR)



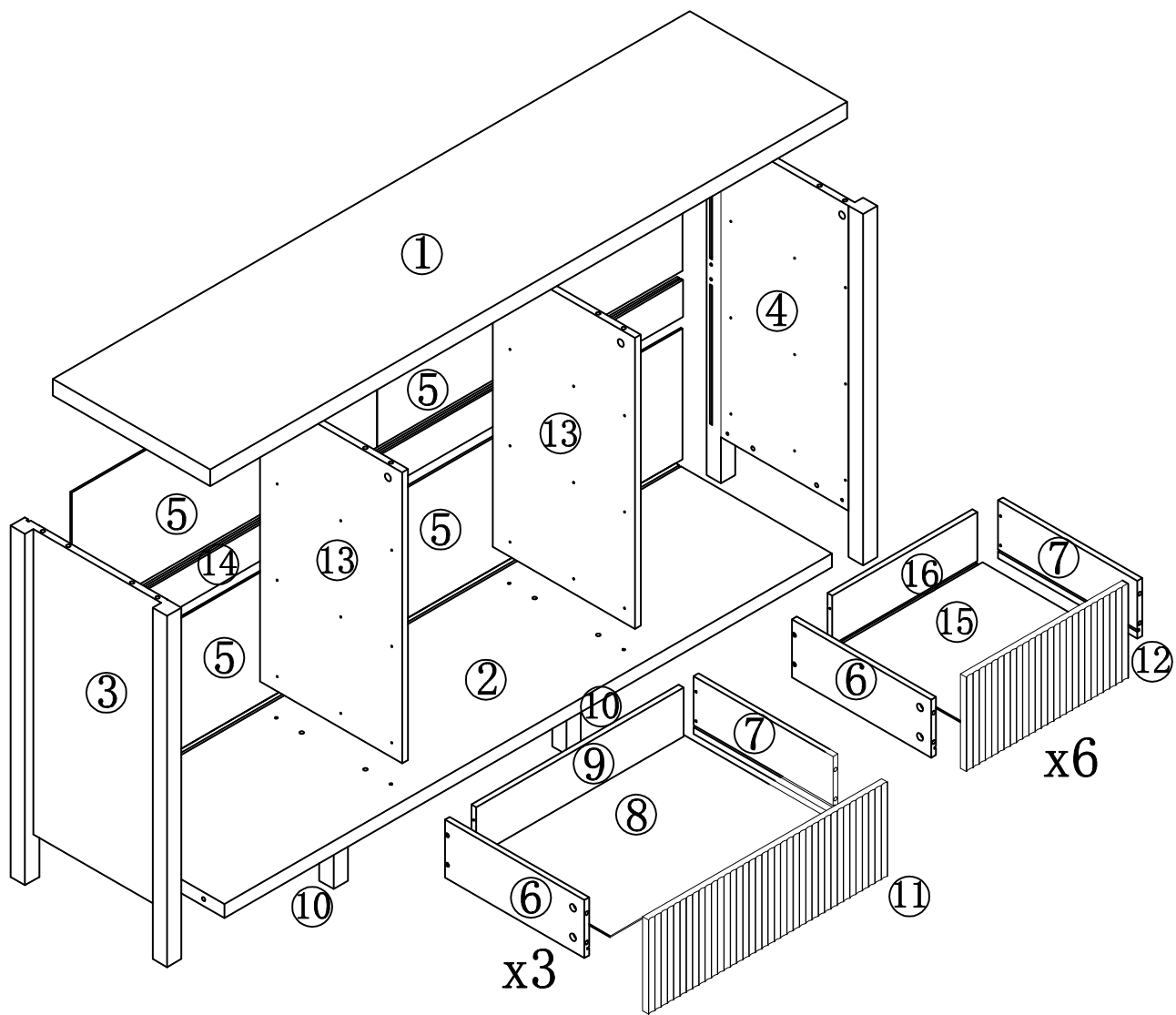
IMPORTANT:

1. Do not tighten bolts / screws completely until all bolts / screws are lined up and inserted into holes.
2. Do not over tighten screws and bolts to avoid stripping
3. Please use hand tools to assemble this product. Do not use power tools.

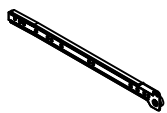


Included Accessories

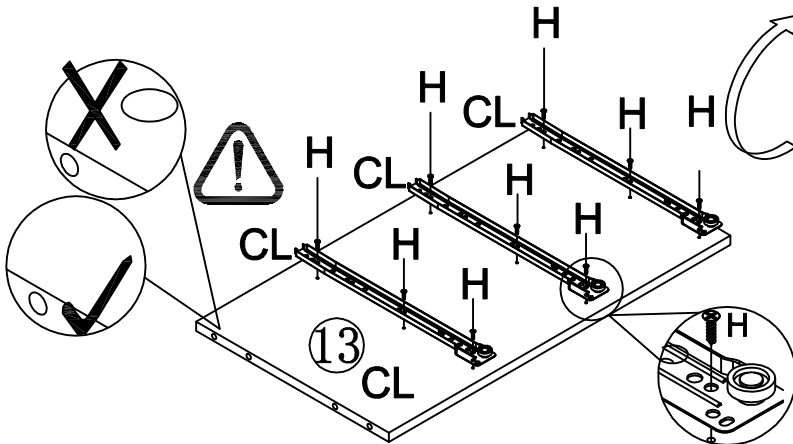
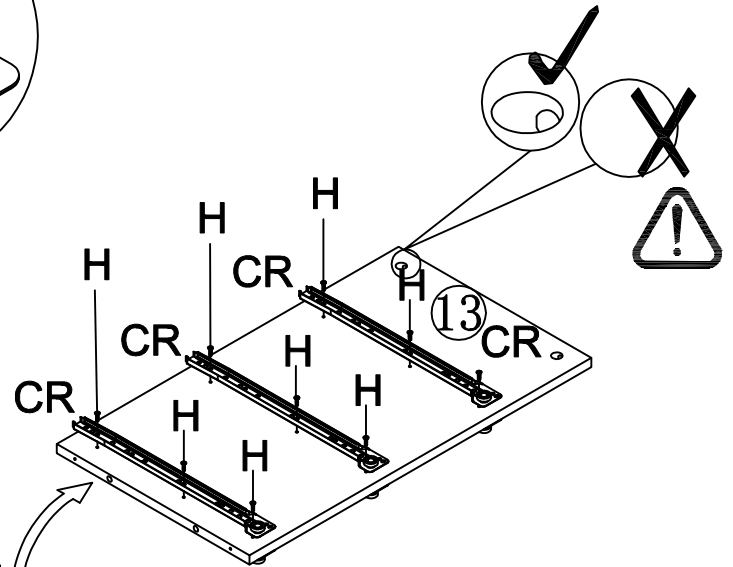
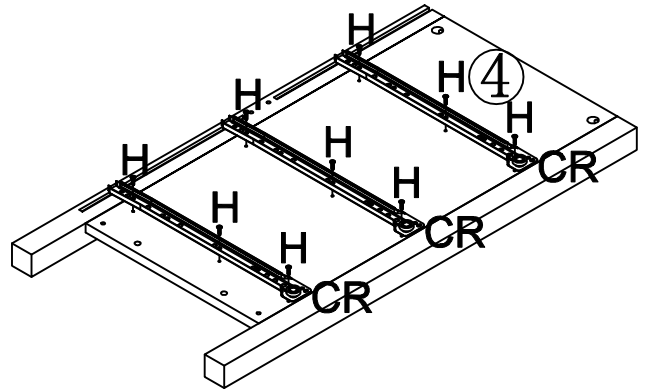
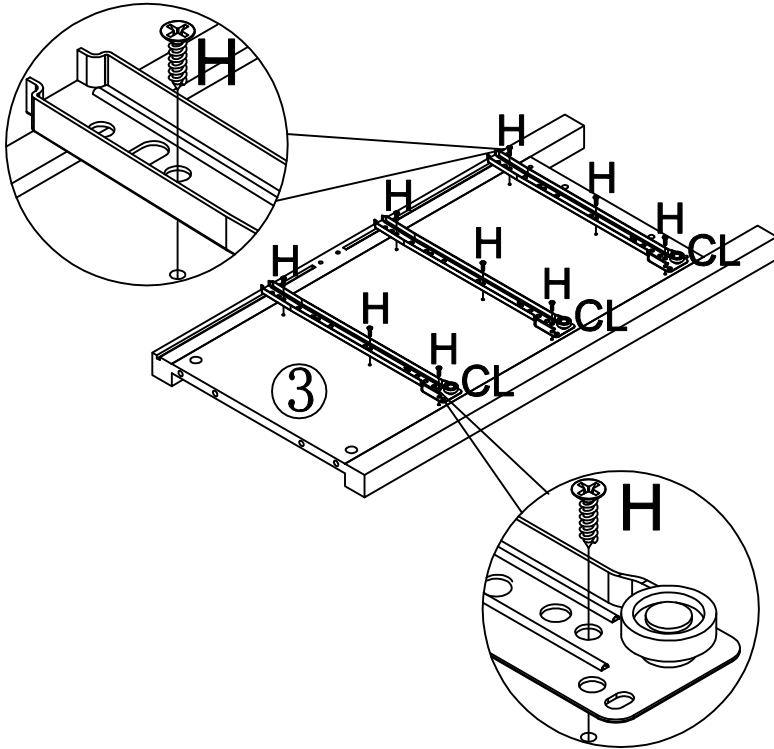
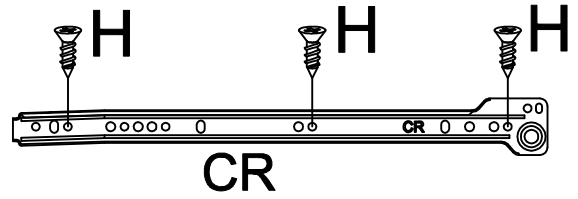
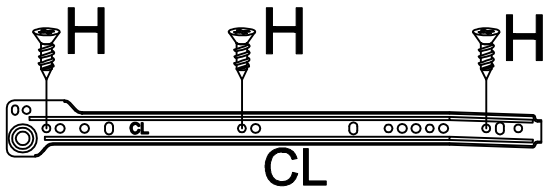
Code	Description	Qty
1	Cabinet Top	1
2	Bottom Panel	1
3	Left Side Panel	1
4	Right Side Panel	1
5	Back Panel	4
6	Drawer left panel	9
7	Drawer right side panel	9
8	The drawer bottom	3
9	After the drawer board	3
10	Crura medius	2
11	Middle drawing	3
12	Side-to-side drawing	6
13	Middle Division Panel	2
14	Back stiffener	1
15	Bottom drawer, right and left	6
16	Left right rear drawer board	6

The Accessories



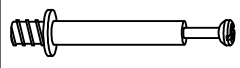
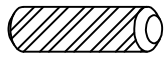
Step 1

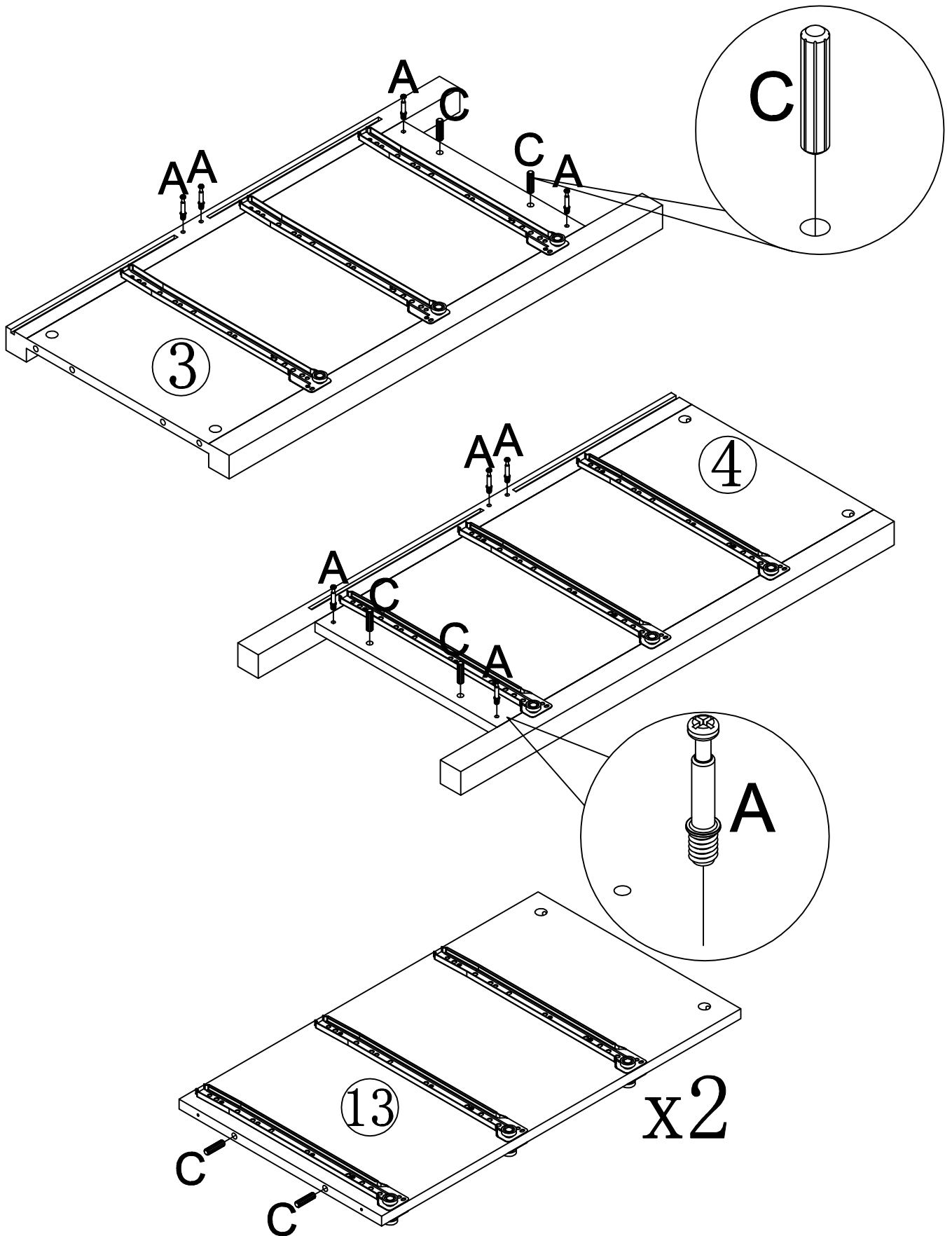
CL	×9	CR	×9	H	×54
					



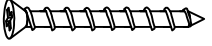
x2

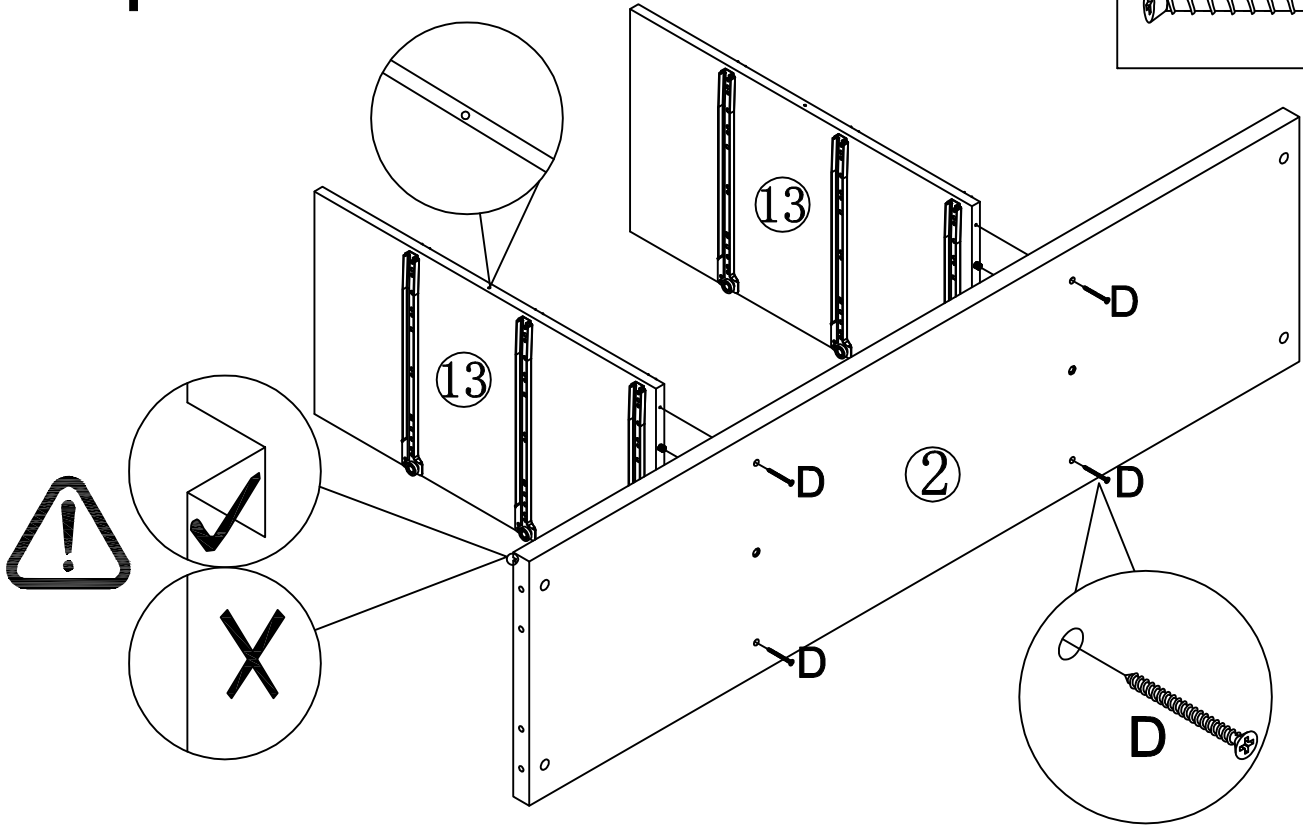
Step 2

A	X8	C	X8
			

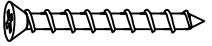


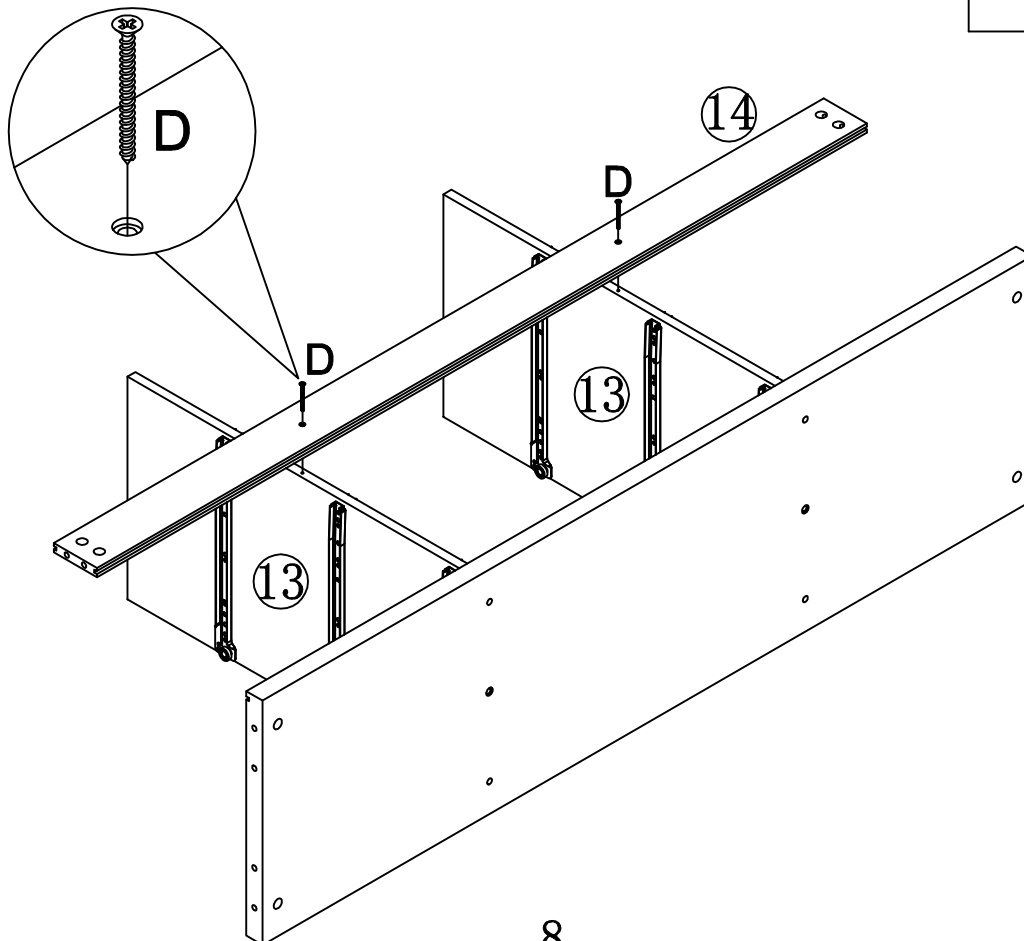
Step 3

D	×4
	

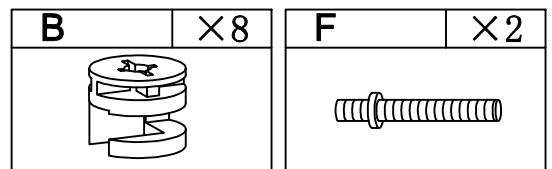
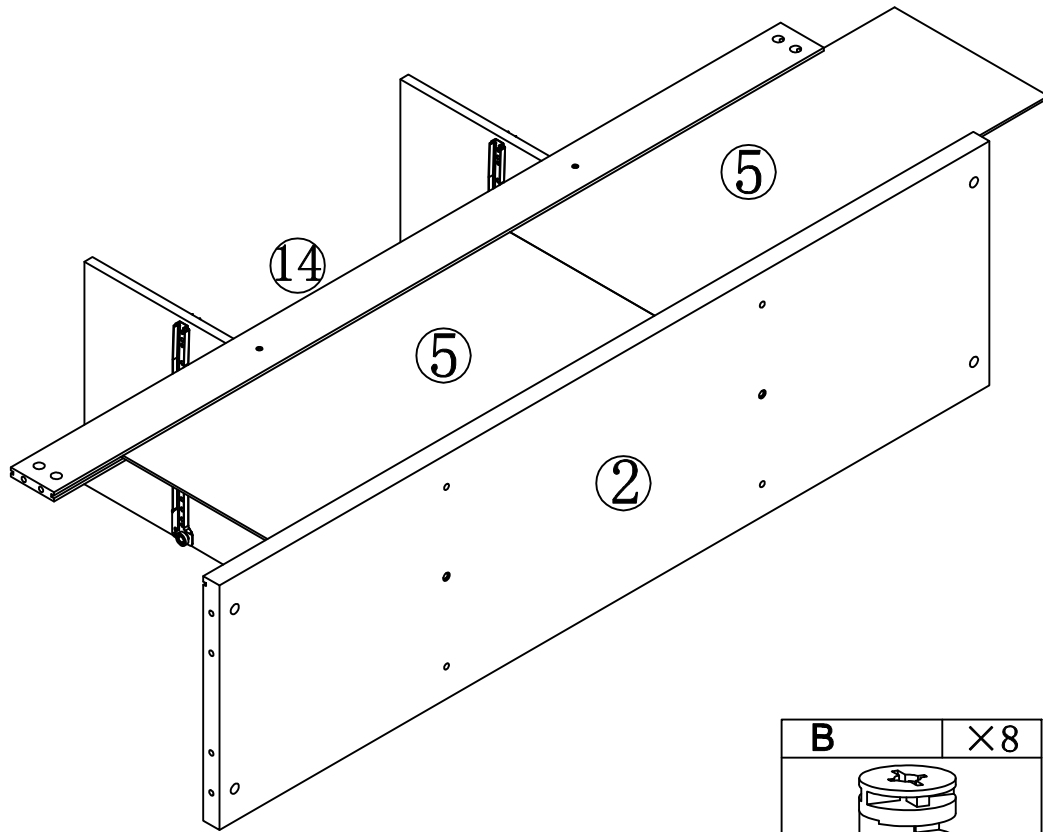


Step 4

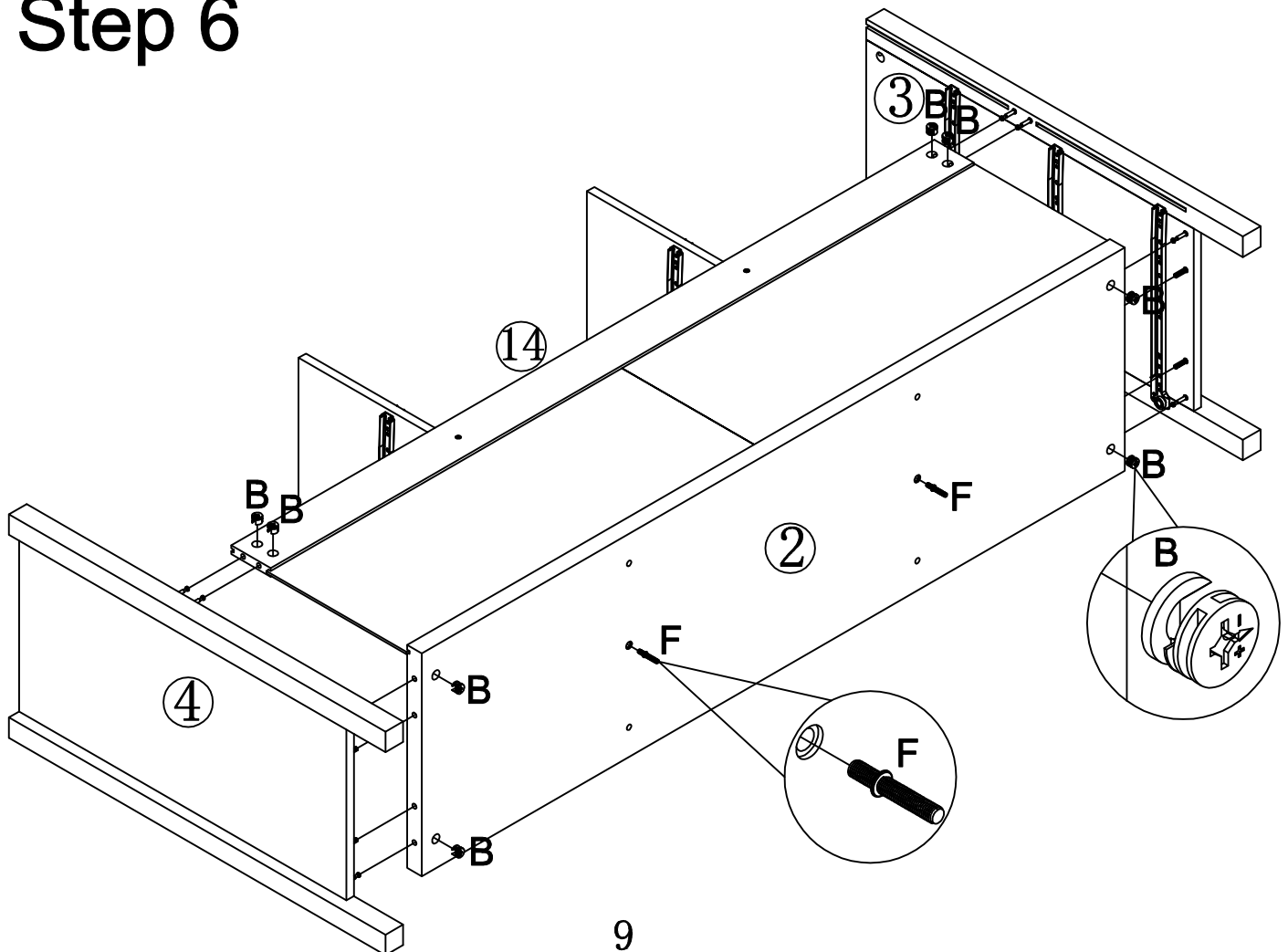
D	×2
	



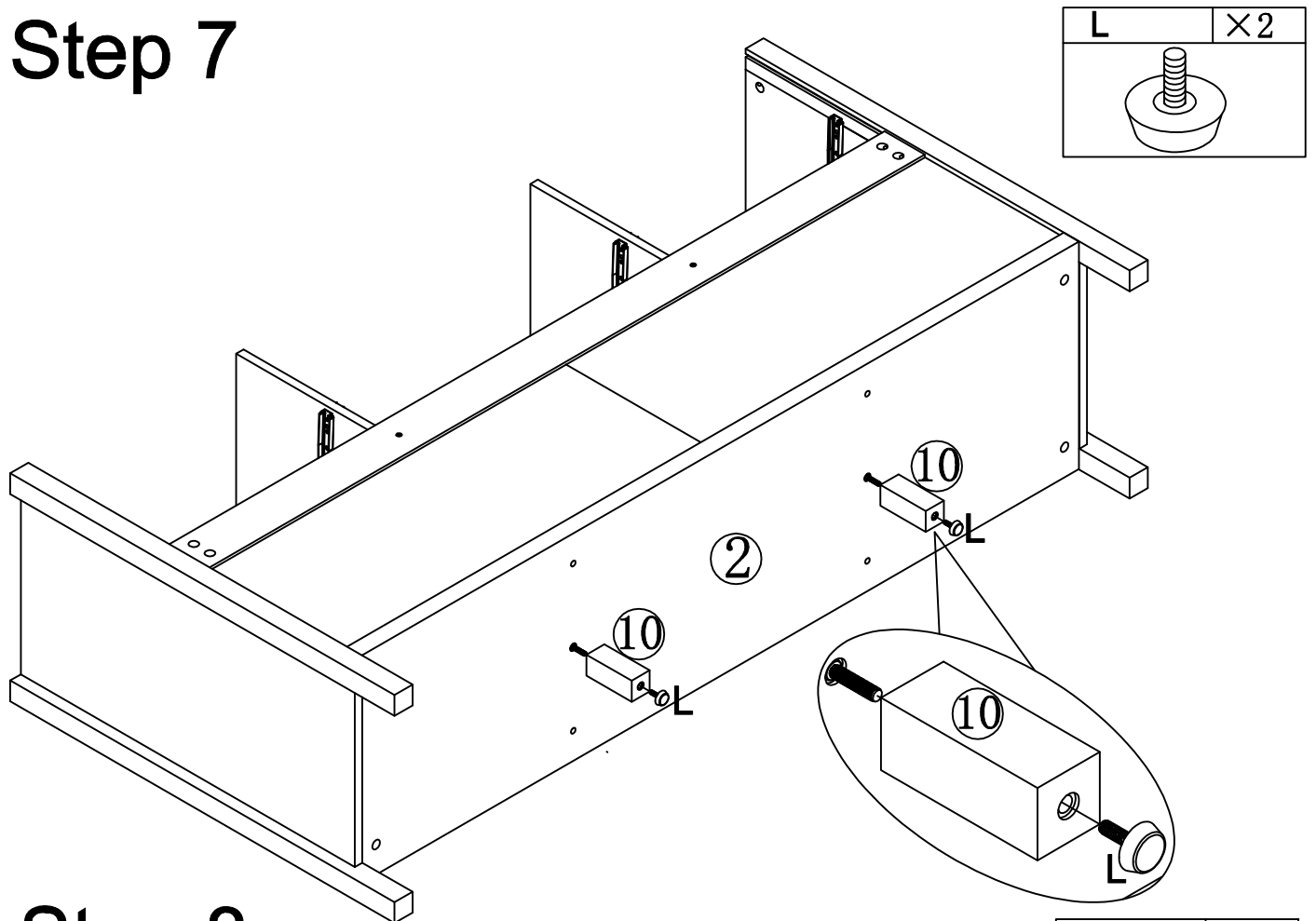
Step 5



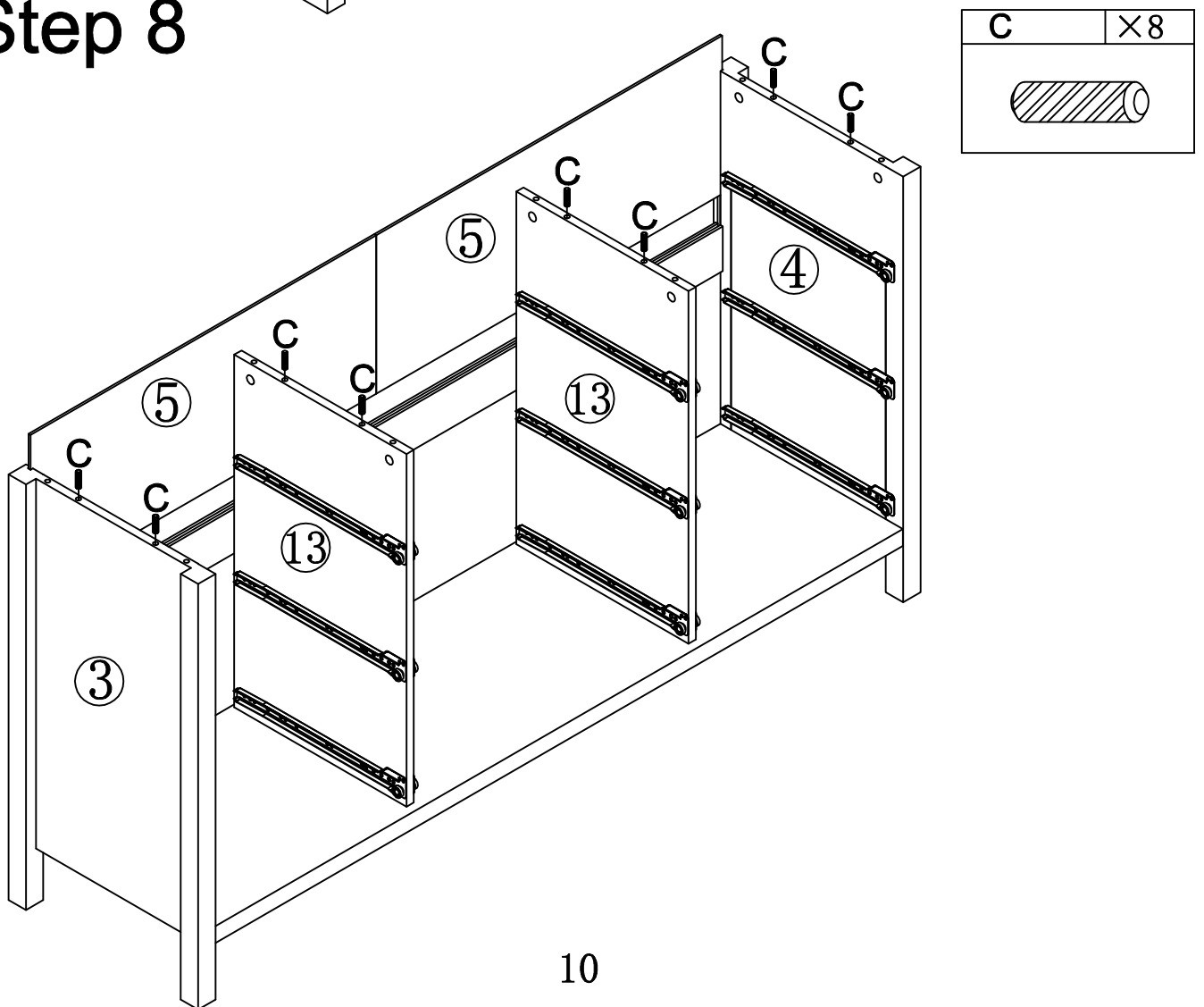
Step 6



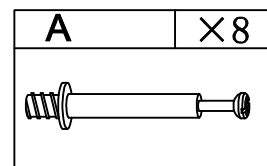
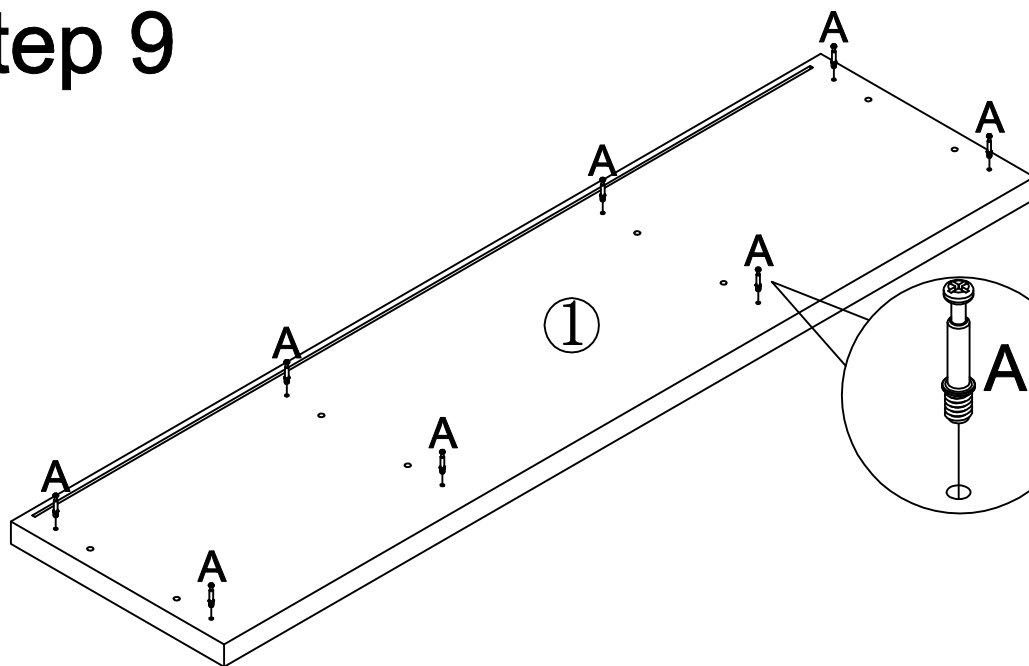
Step 7



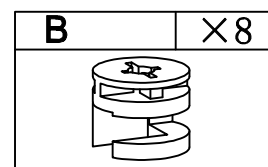
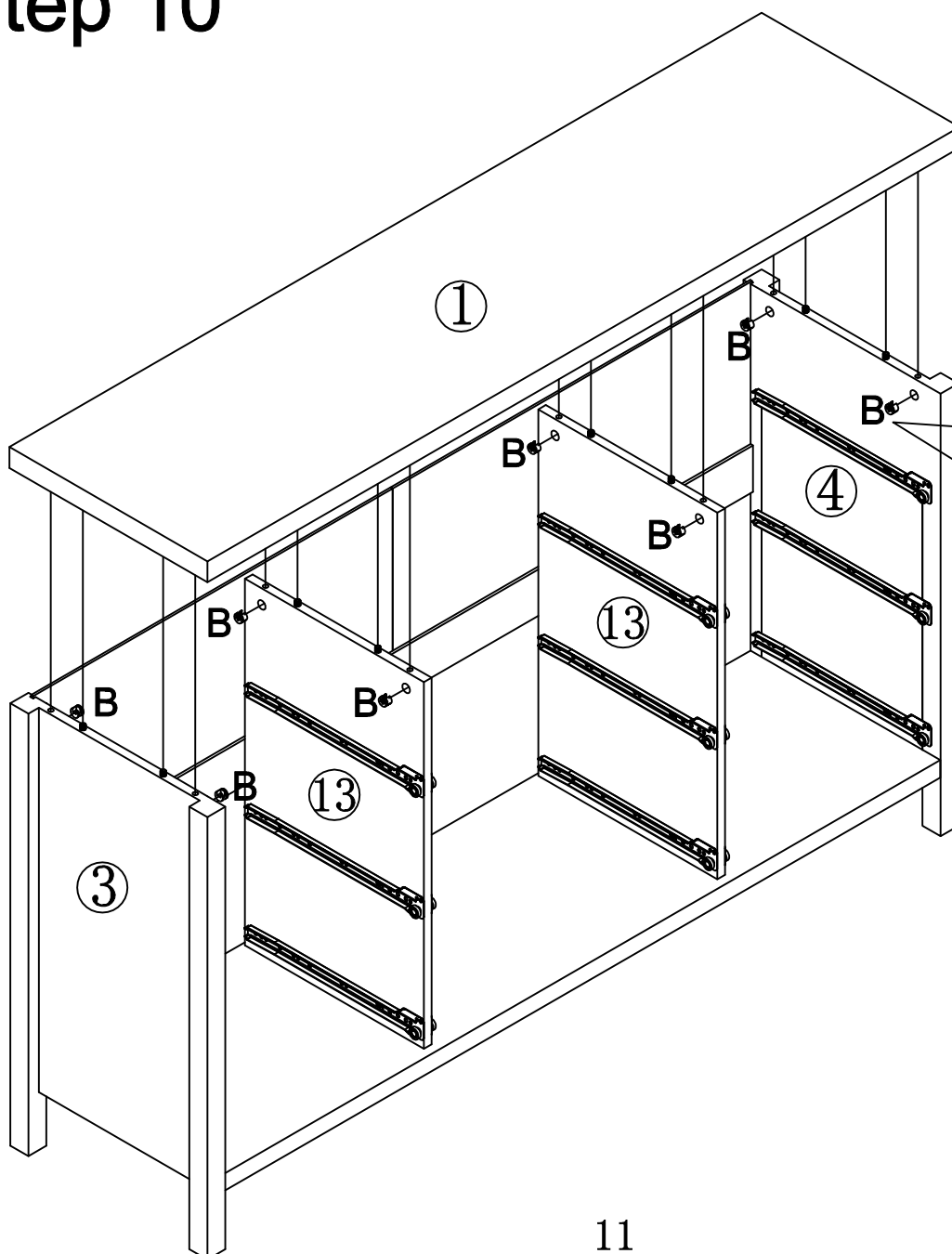
Step 8



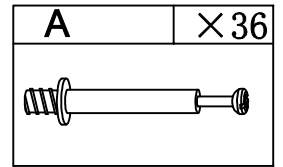
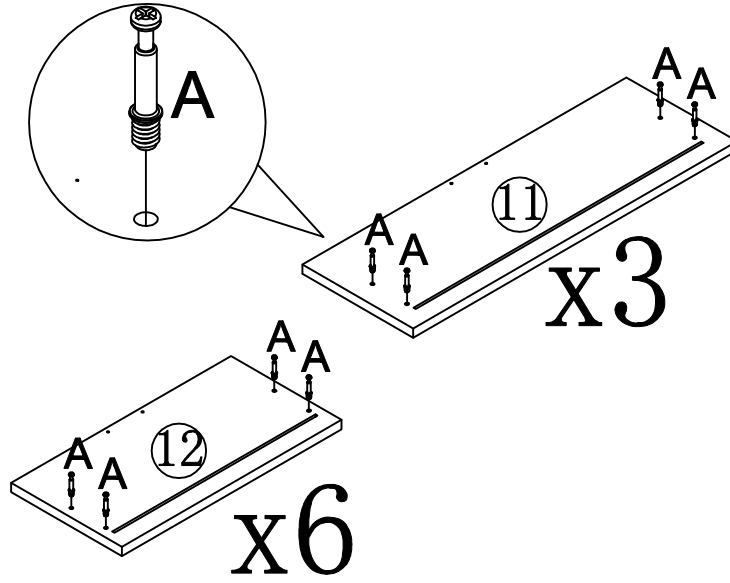
Step 9



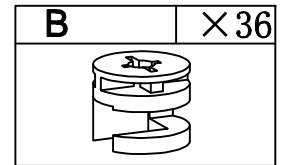
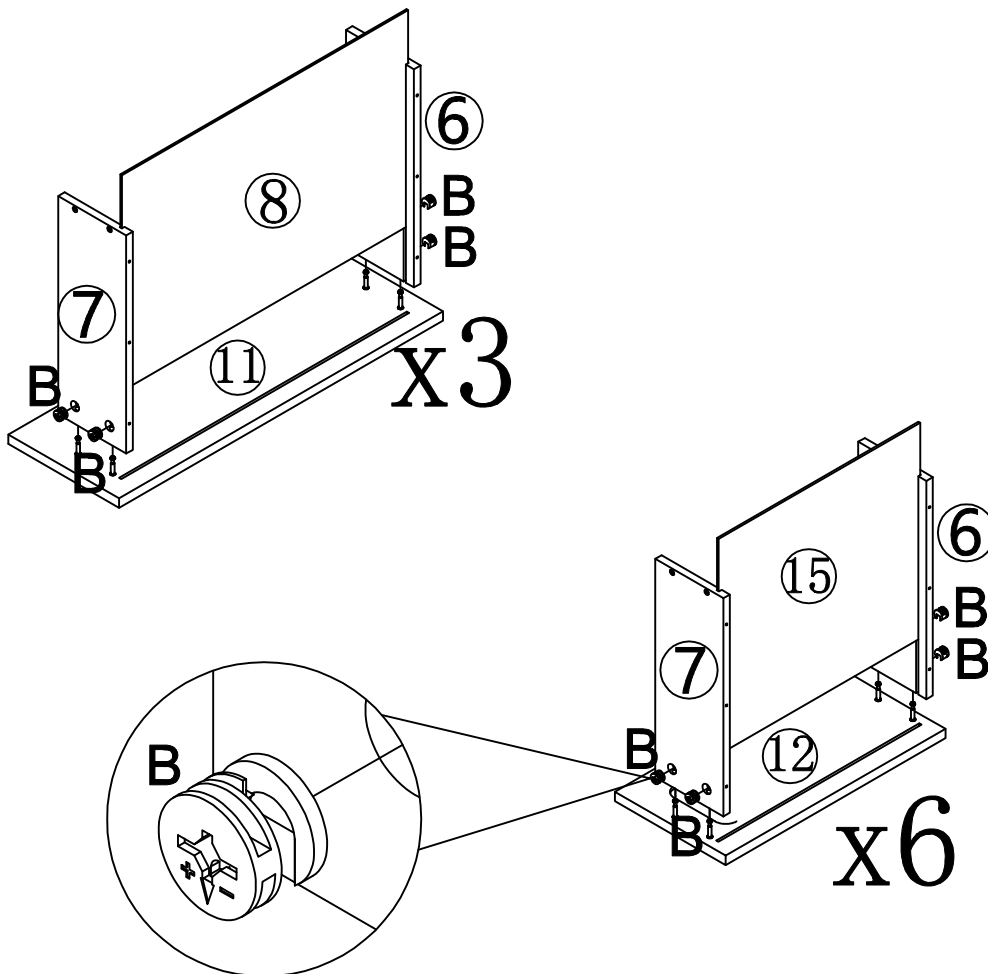
Step 10



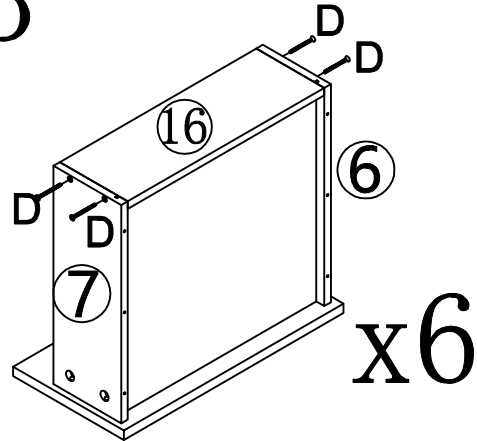
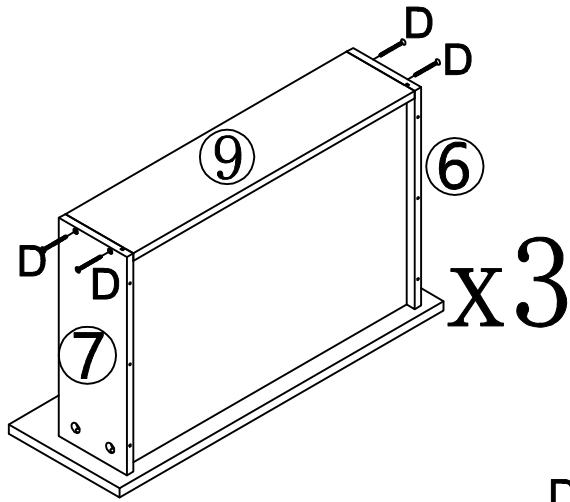
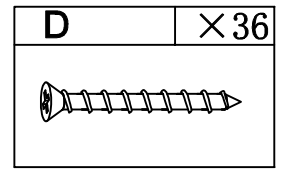
Step 11



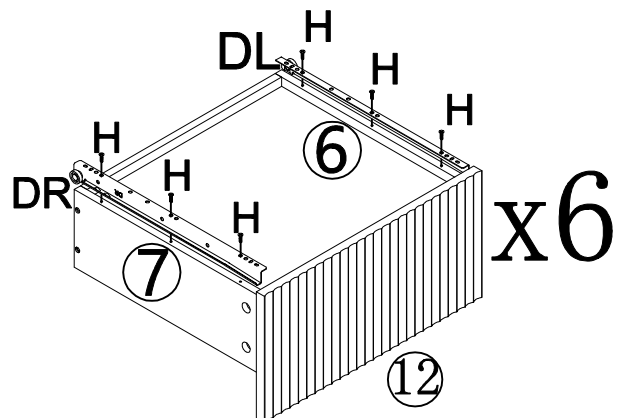
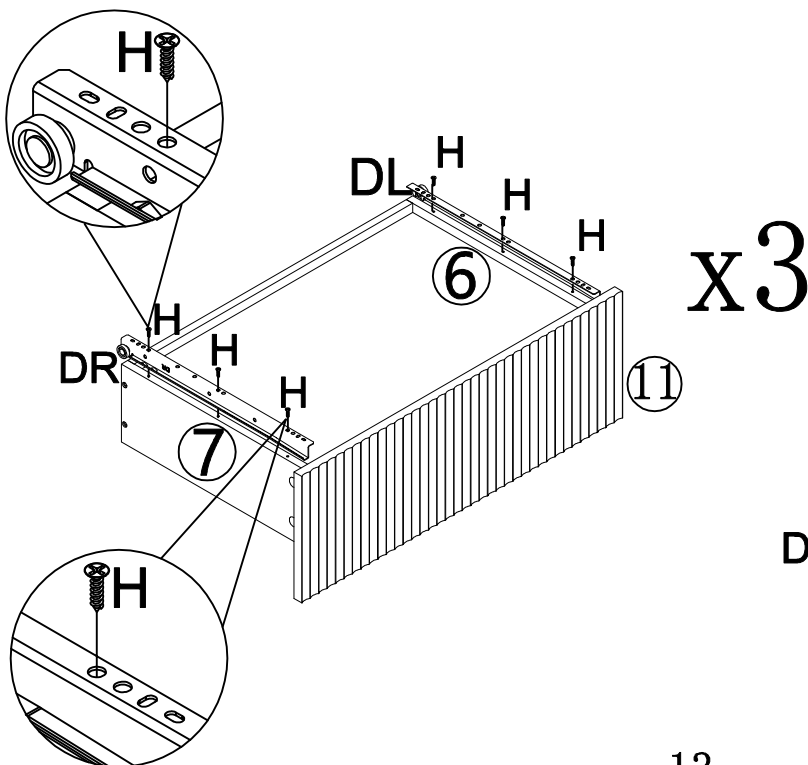
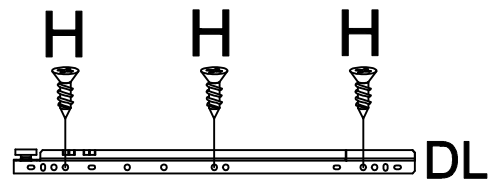
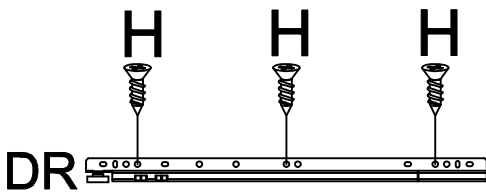
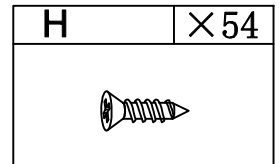
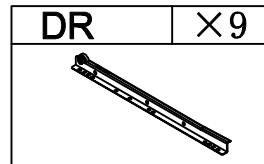
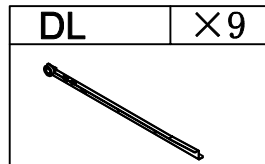
Step 12



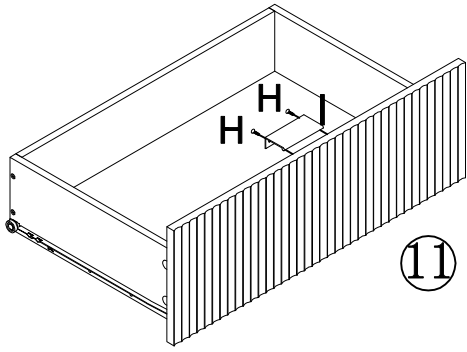
Step 13



Step 14

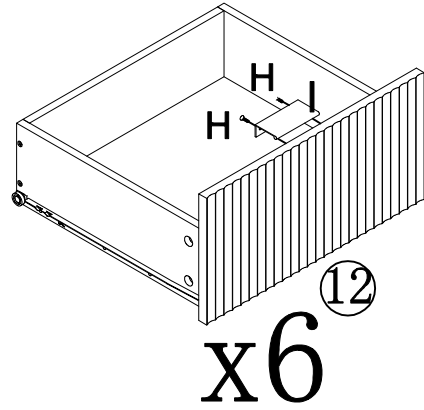


Step 15



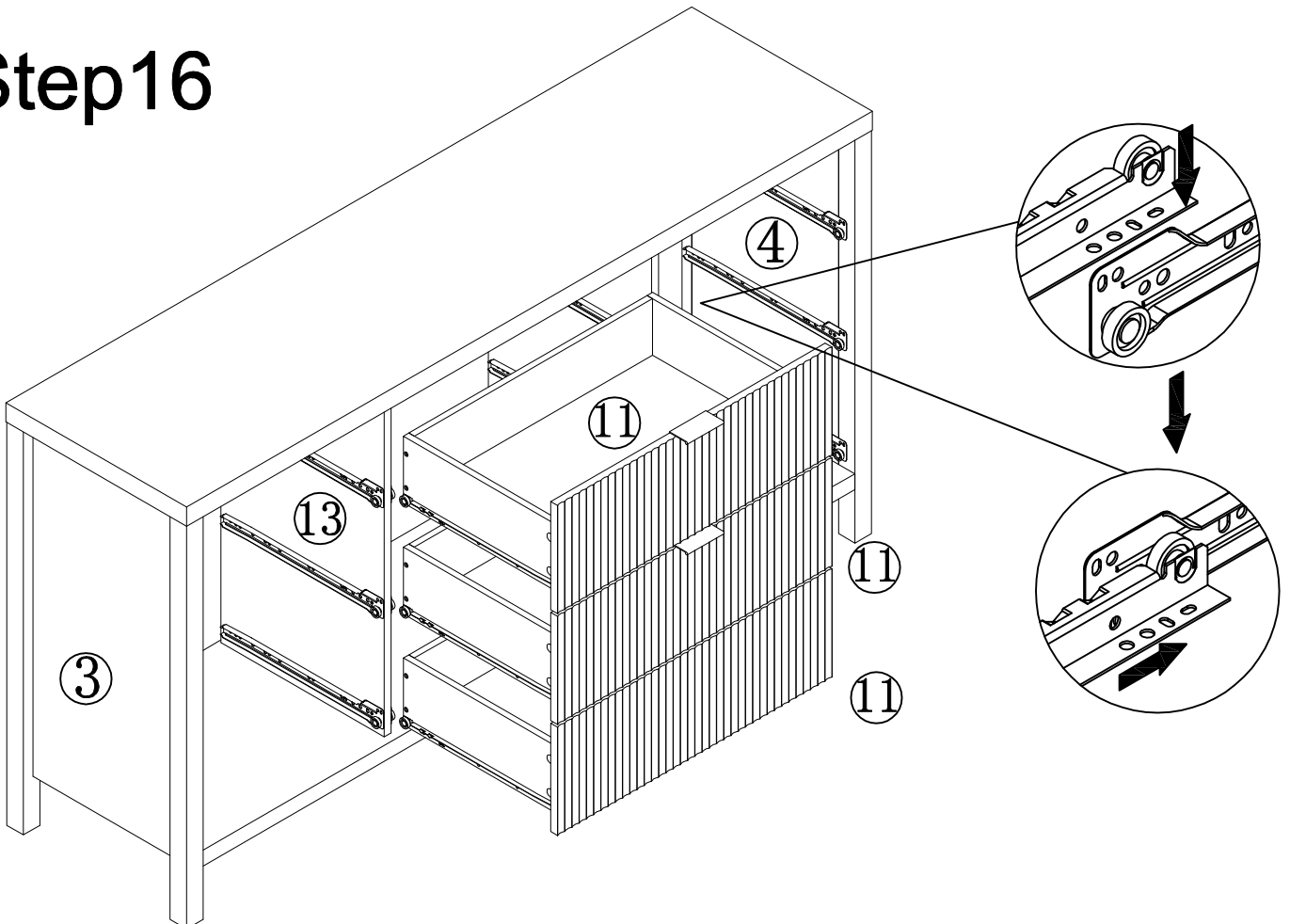
x3

H	X18	I	X9

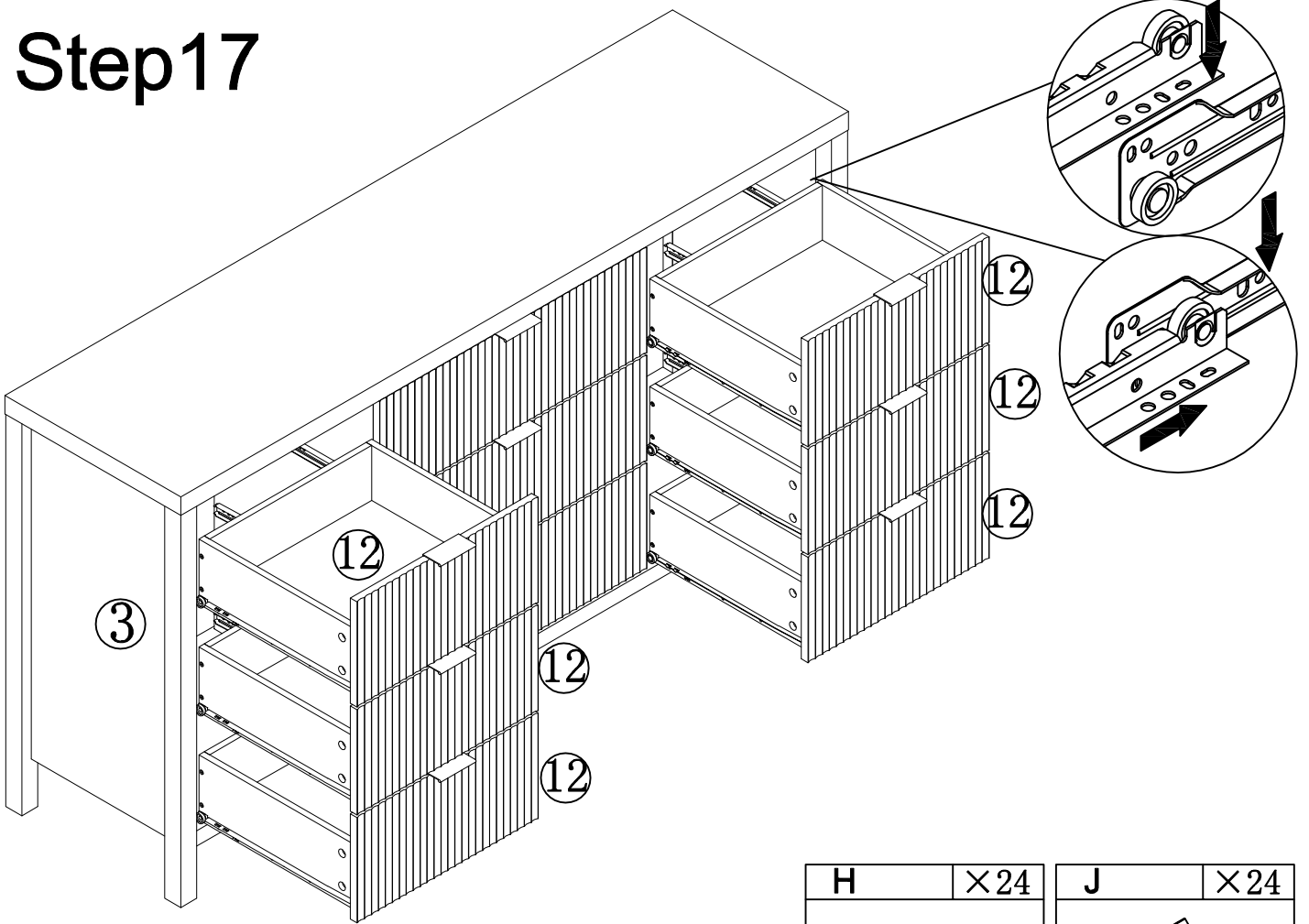


x6


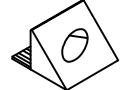
Step 16

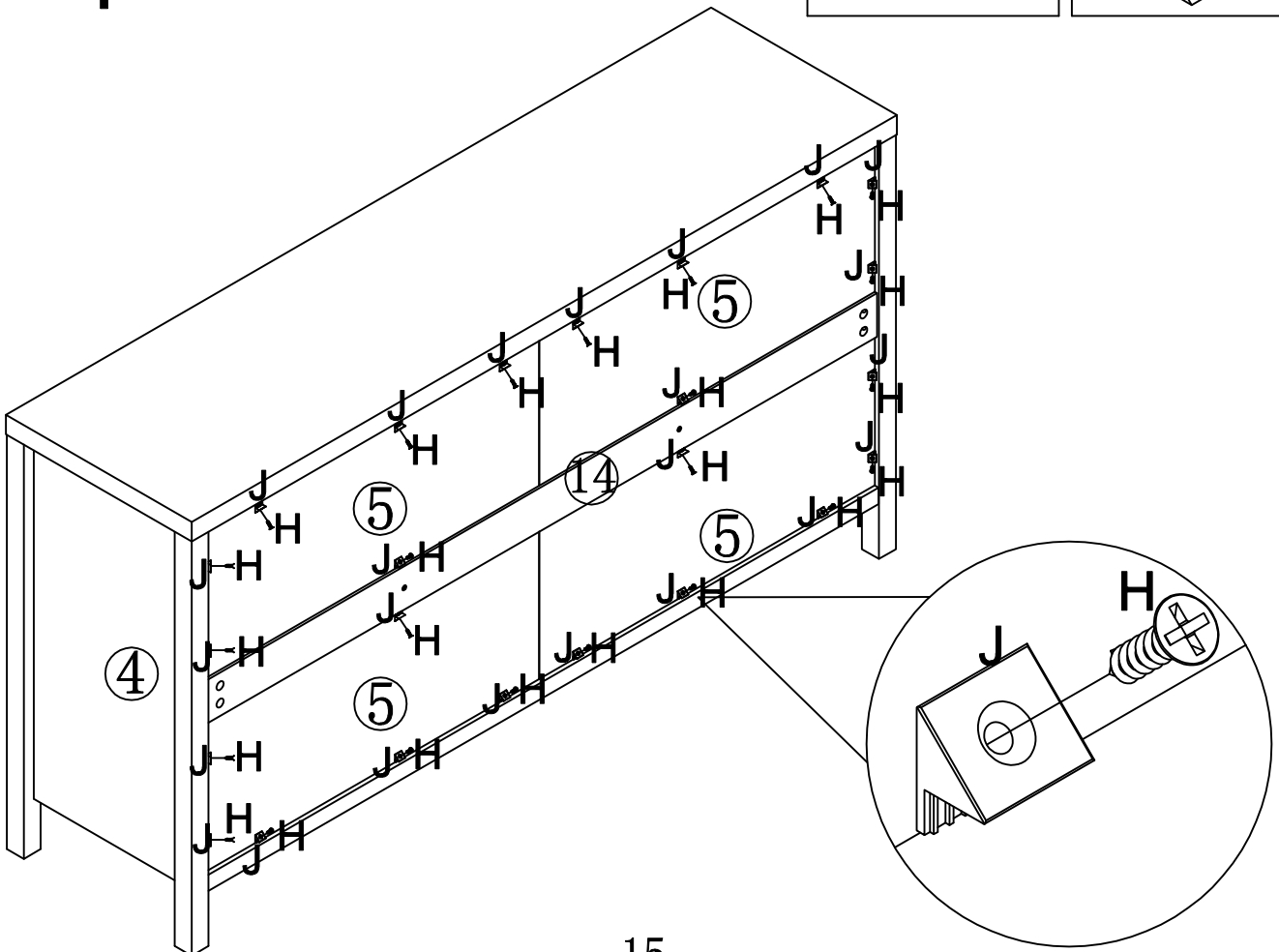


Step 17

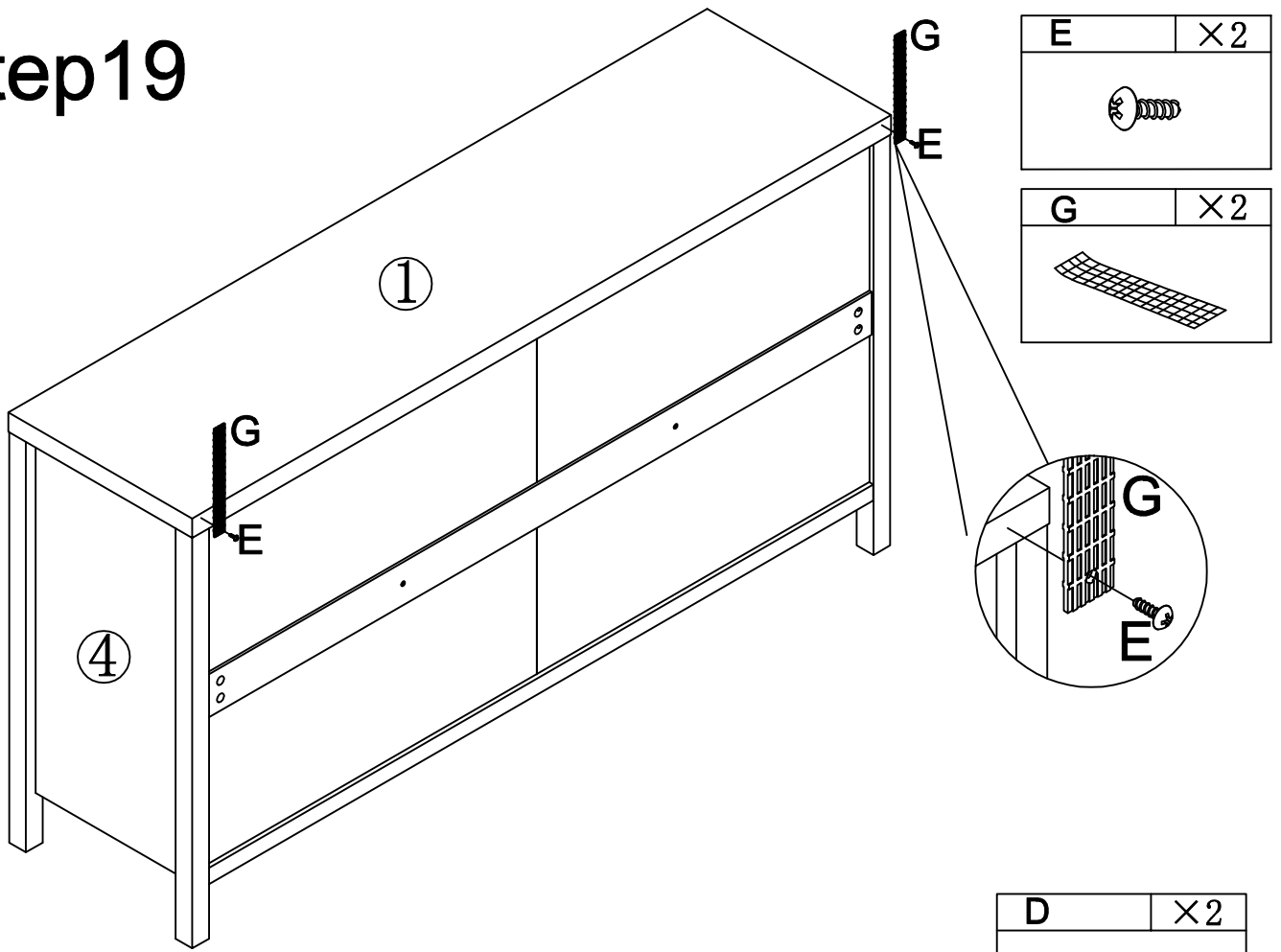


Step 18

H	×24	J	×24
			



Step 19



Step 20

