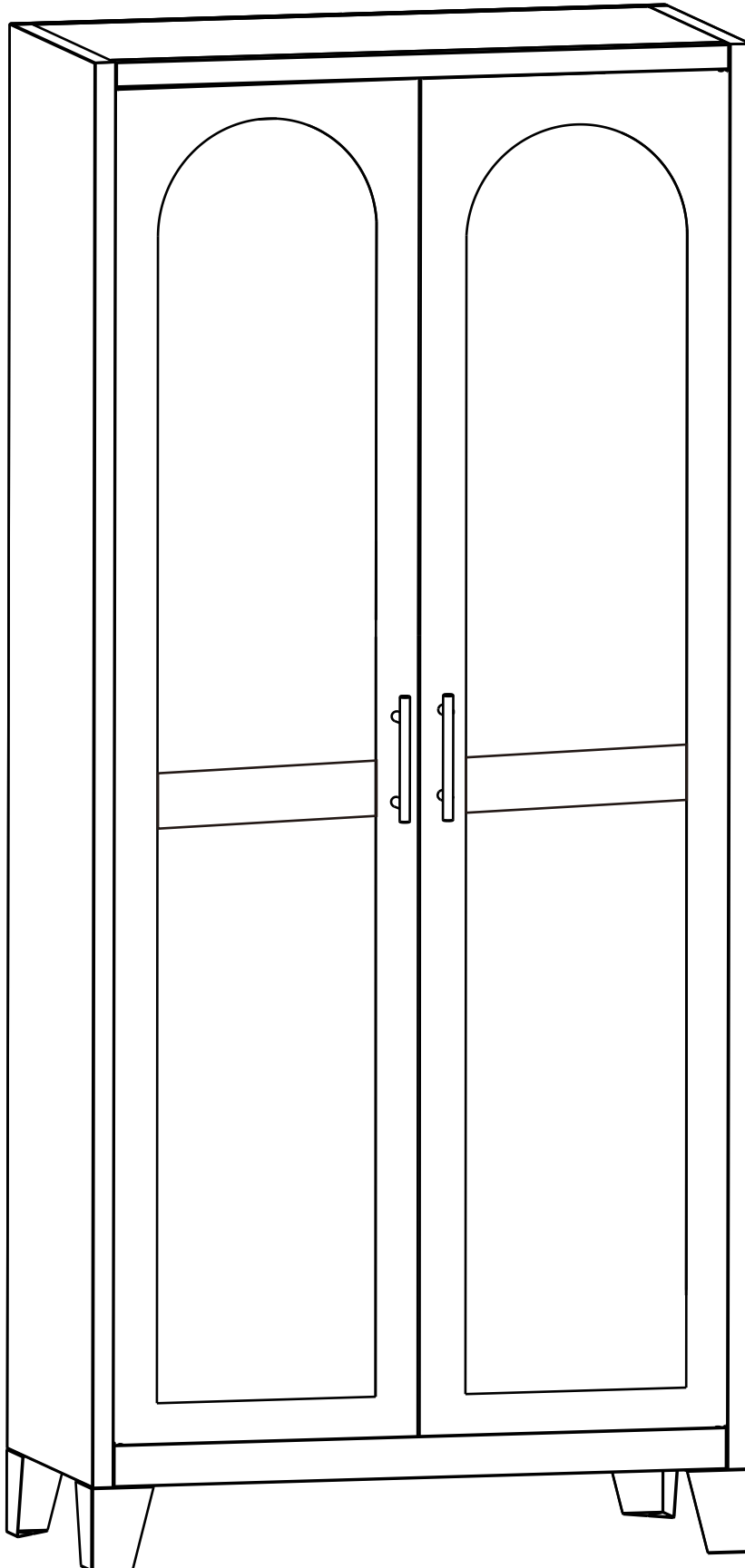


# Assembling Guide

Thank you for choosing our product!





*Thank you for lighting up another coordinate of our product on the map. We are committed to creating high-quality home living, making every household filled with warmth and comfort.*



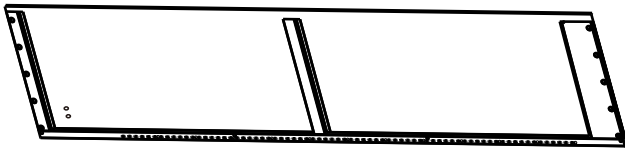
A x1 Left Panel



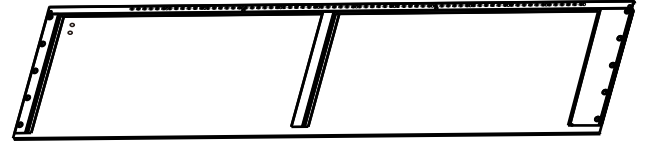
B x1 Right Panel



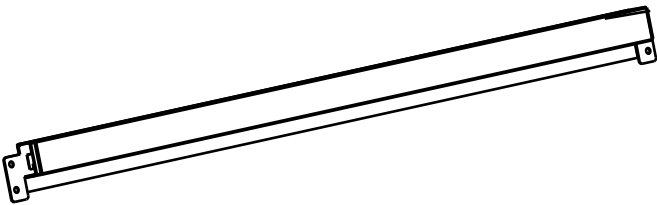
C x1 Left Back Panel



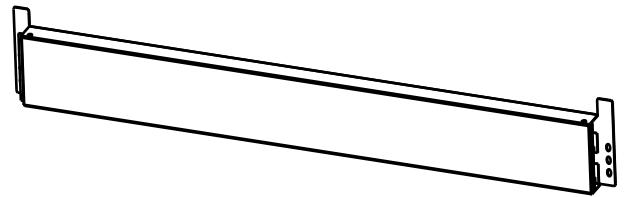
D x1 Right Back Panel



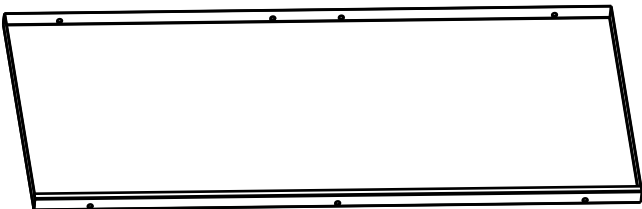
E x1 Top Frame Bar



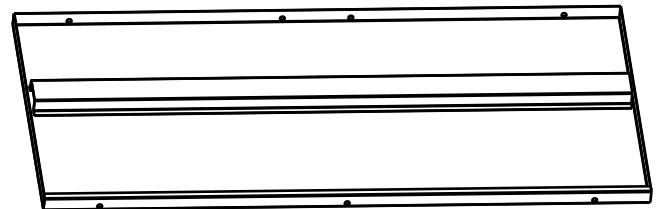
F x1 Bottom Frame Bar (Wider)



G x1 Top Panel



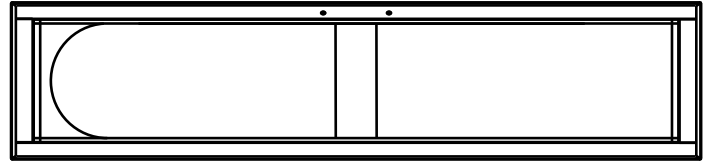
H x1 Bottom Panel



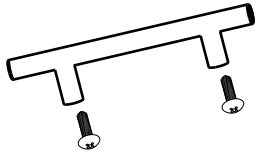
I x3 Shelf



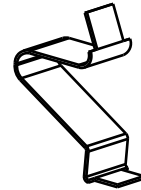
J x2 Door



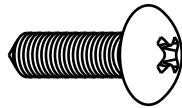
K x2 Handle (contain screws for handle)



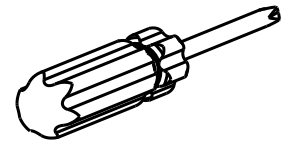
L x12 Shelf Clip



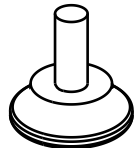
M x54 Screw



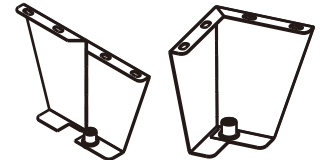
Screwdriver



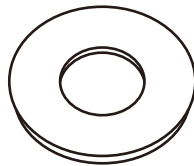
O x4 Adjustable Foot



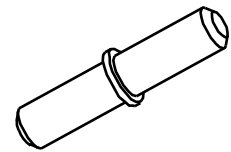
P x4 Foot Stand



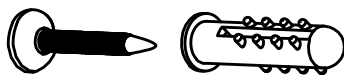
Q x8 Gasket



R x2 Hinge



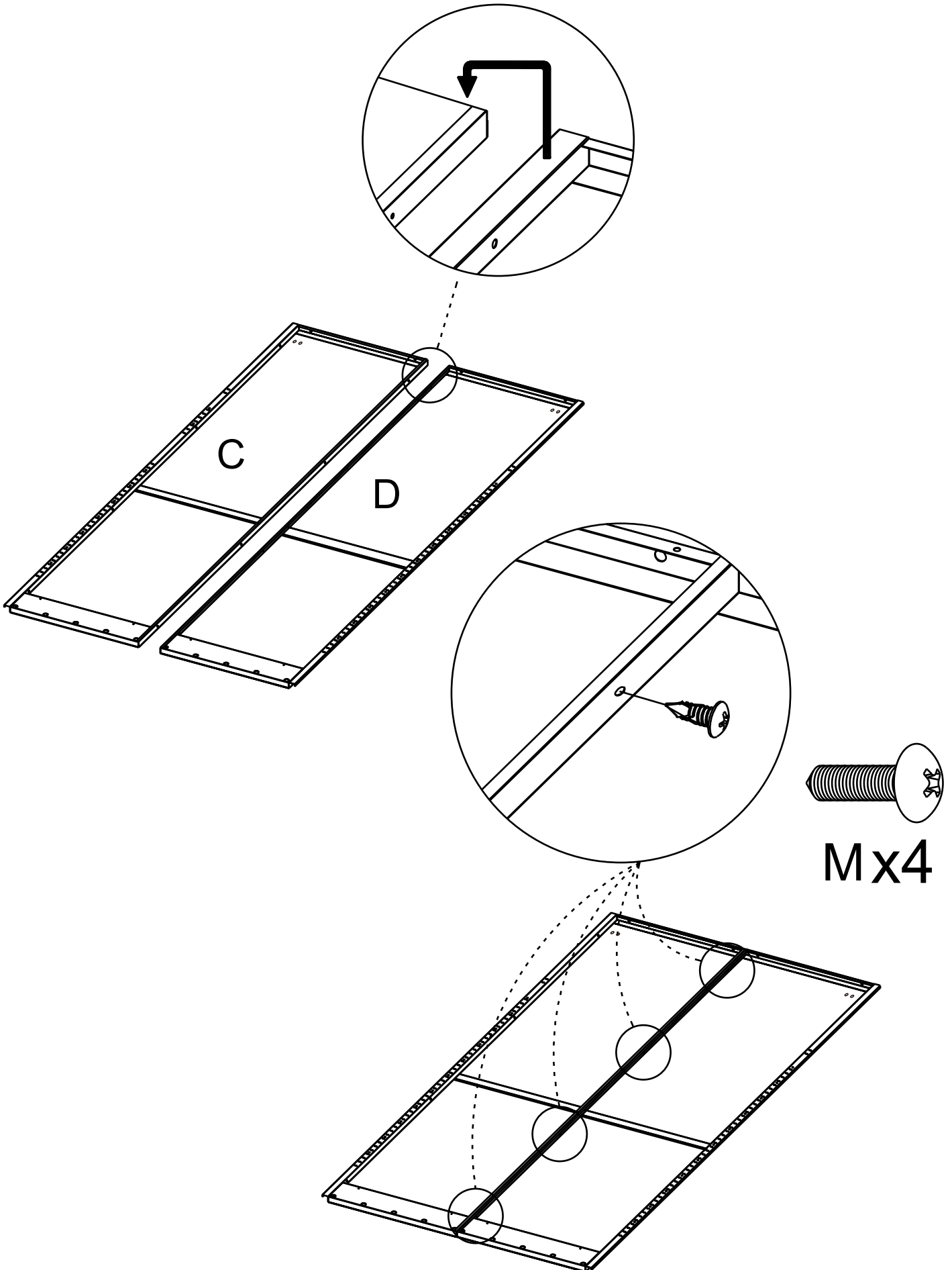
X - Expansion screws



We always provide some extra screws for backup.  
Don't worry if you have some left over after installation.

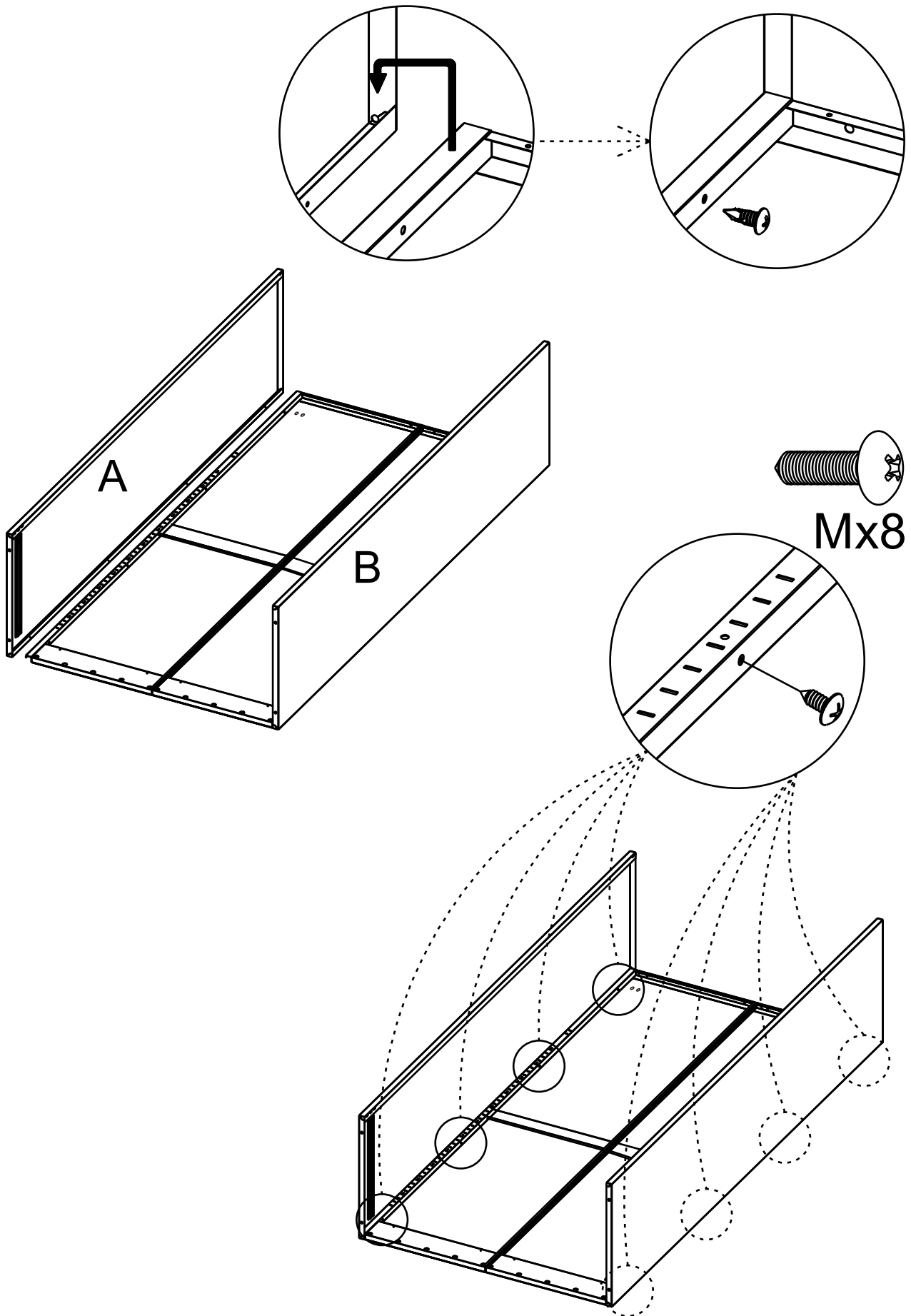
**STEP 1 Install the back.**

Attach D to C, and secure with 4 M screws.



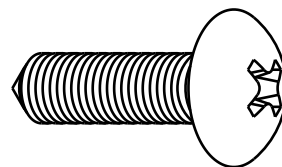
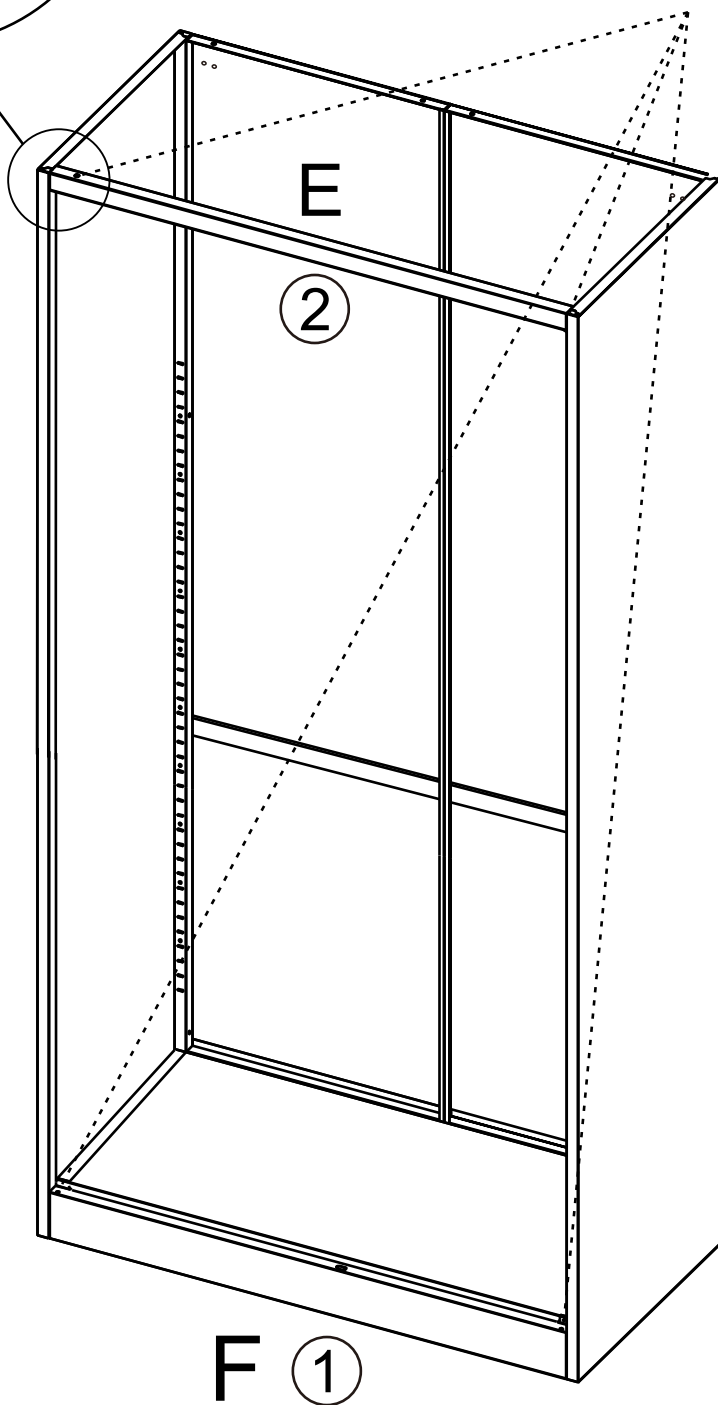
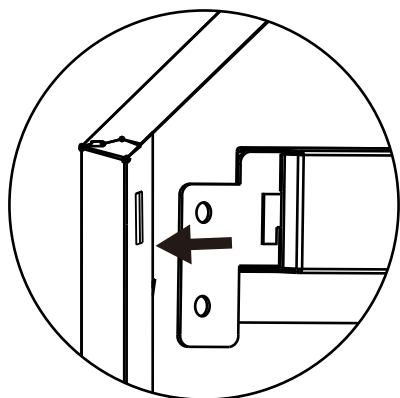
**STEP 2 Install the sides.**

Attach A and B to the back, and secure with 8 M screws.



**STEP 3 Install the top , and bottom frame bar.**

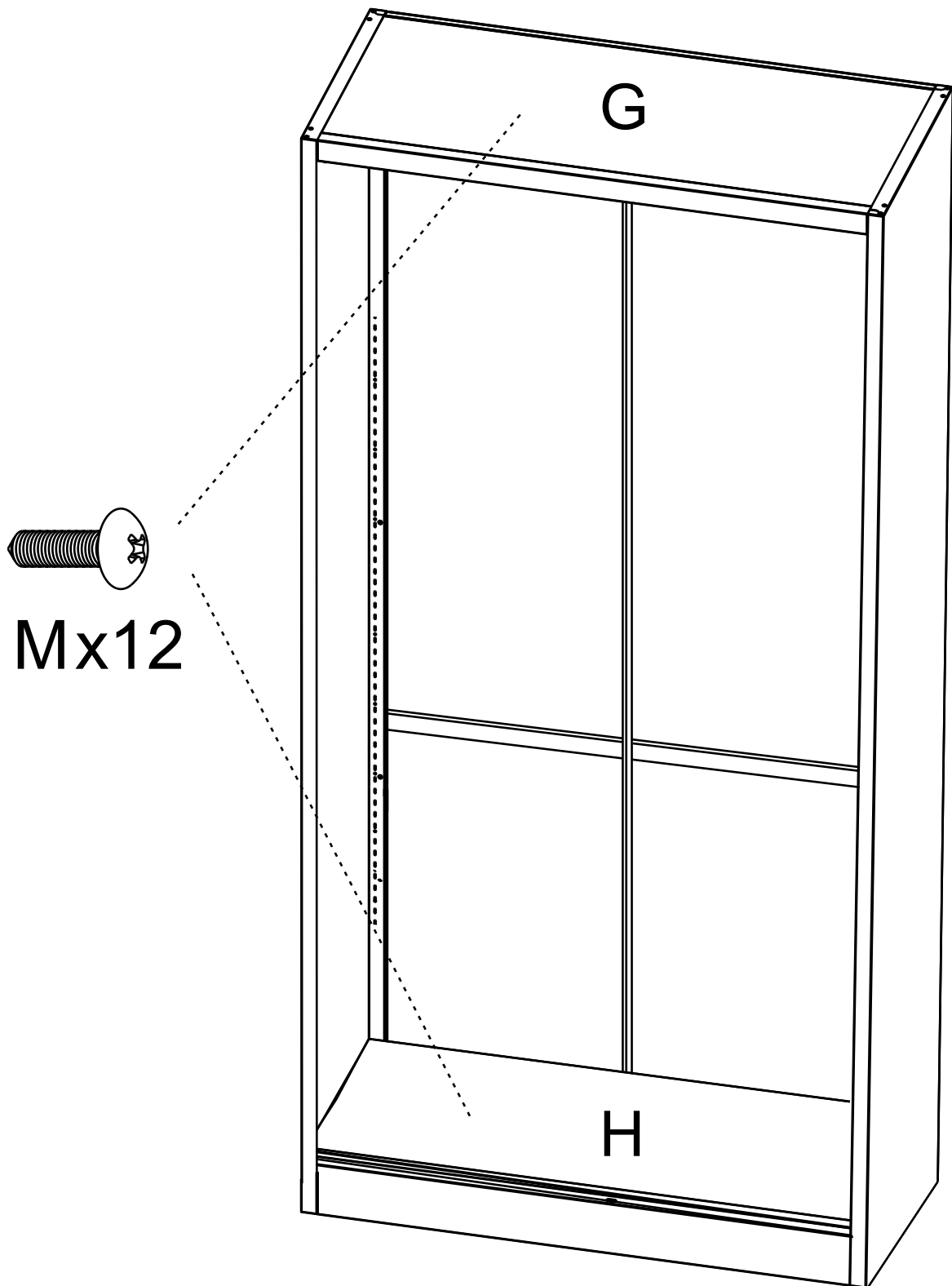
Hook in E and F into sides, and secure with M screws.



**Mx10**

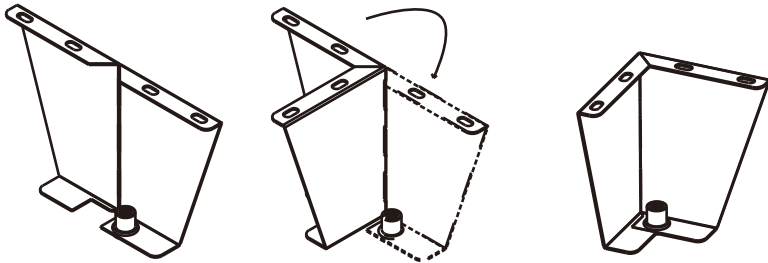
**STEP 4 Install the top, and bottom panels .**

Put H in, lift G up and secure with M screws.

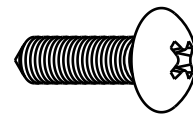
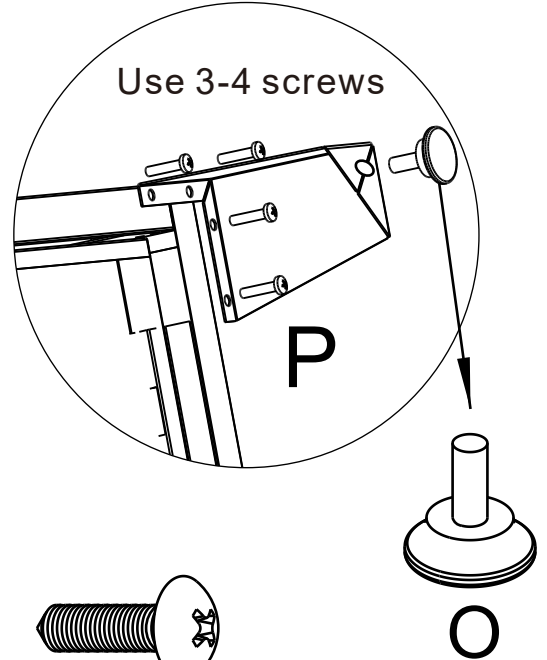


## STEP 5 Install the foot stand and adjustable foot.

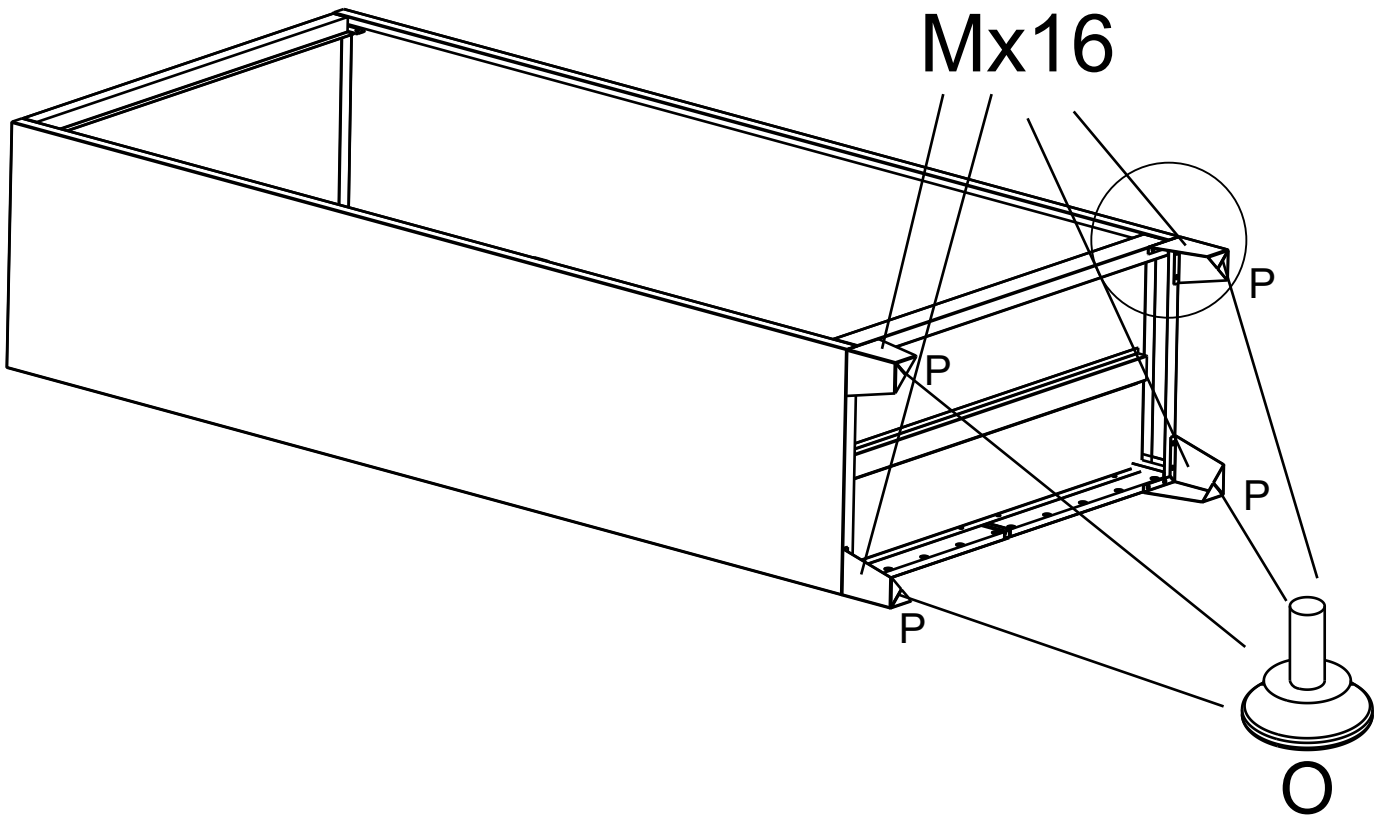
If the height is perfect for you, then no need to install the feet, you can skip this step.



Manually bend the standing foot into shape and twist the adjustable foot in.



Mx16

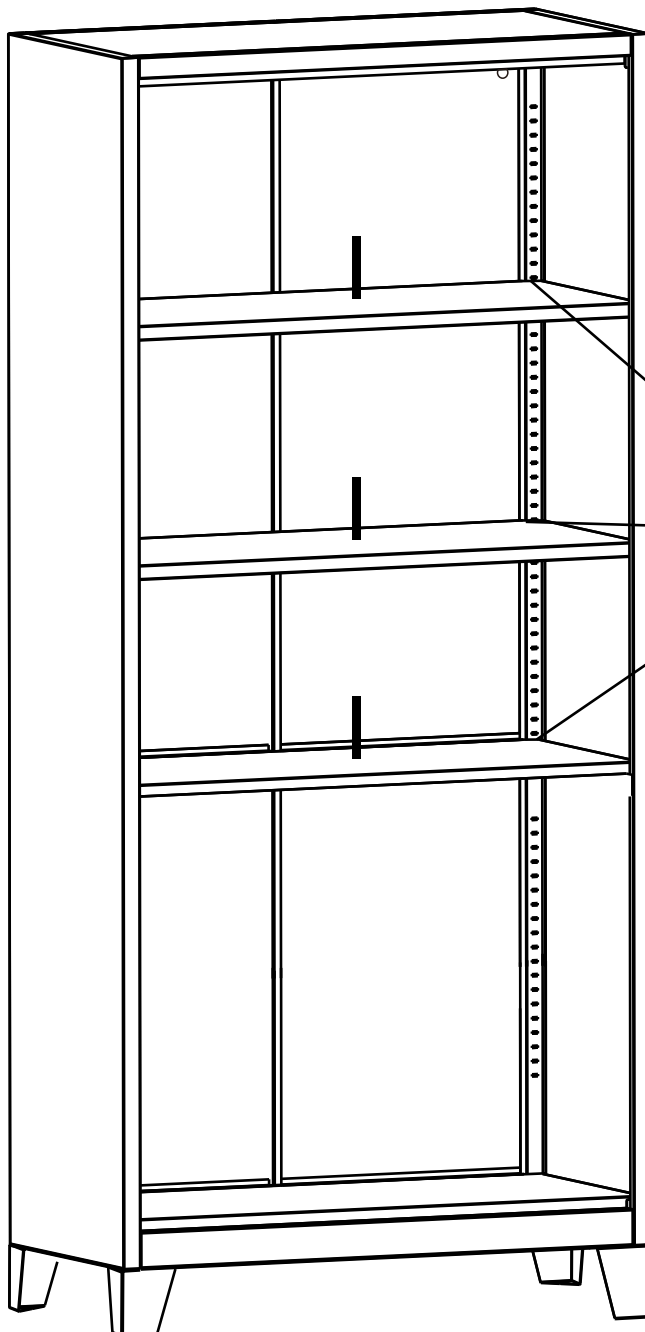
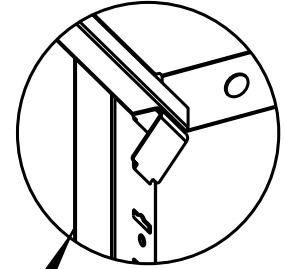
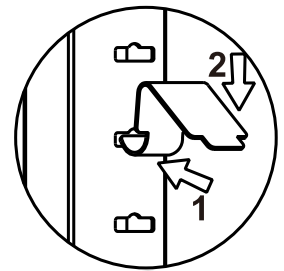


## STEP 6 Install the shelf.

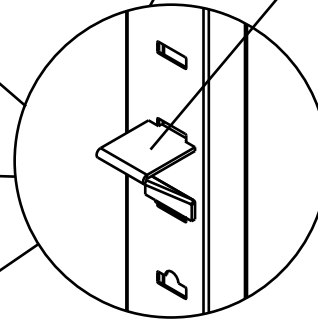
First to clip in L and then put I on it.

1. Insert bending side first
2. Fall down the flat side to secure

Now shelf can safely sits on it  
Make sure the clips at 4 corners  
are at the same height.

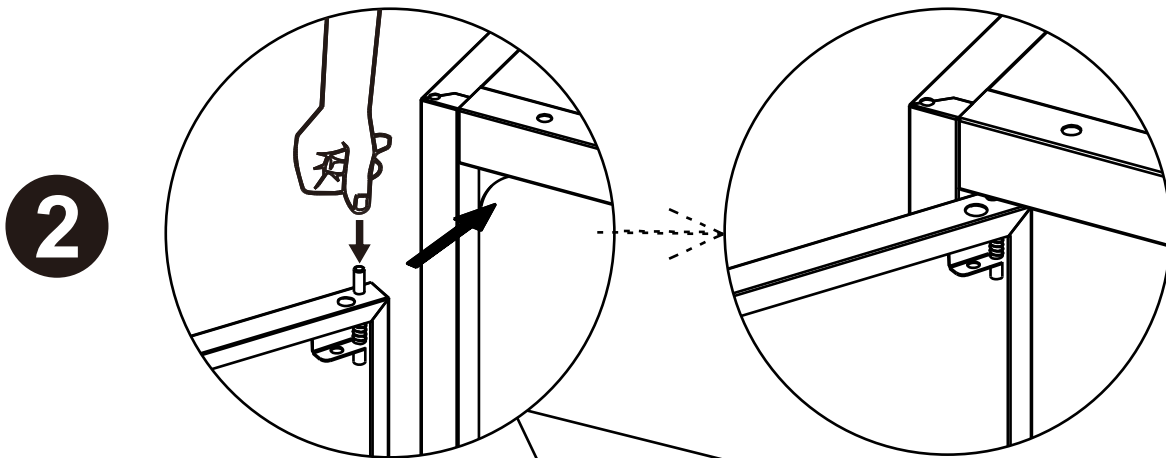


Lx16

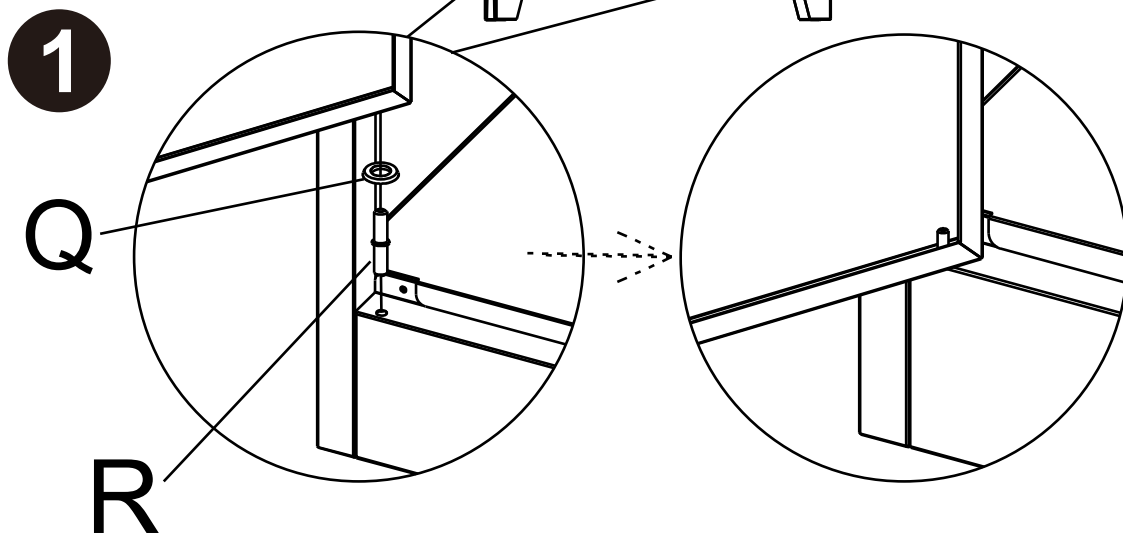
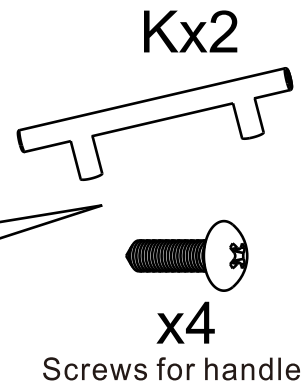
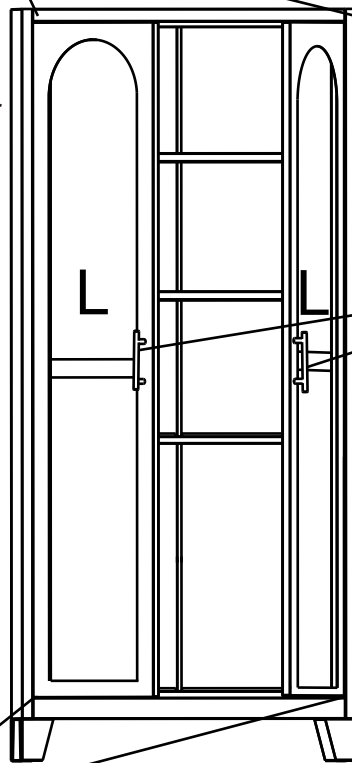


## STEP 7 Install the doors.

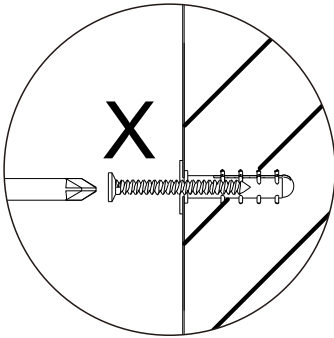
1. First to insert R (you may need to add 1-2 Qs) into the holes on bottom frame bar, put L in.
2. Then press down the top hinge spring to insert the L.



If you can't find the top hinge spring, it may have been pressed into the door frame. Simply use a screwdriver to gently pry it out.



The cabinet can be fixed to the wall as needed.



Install the expansion screw to the wall.

