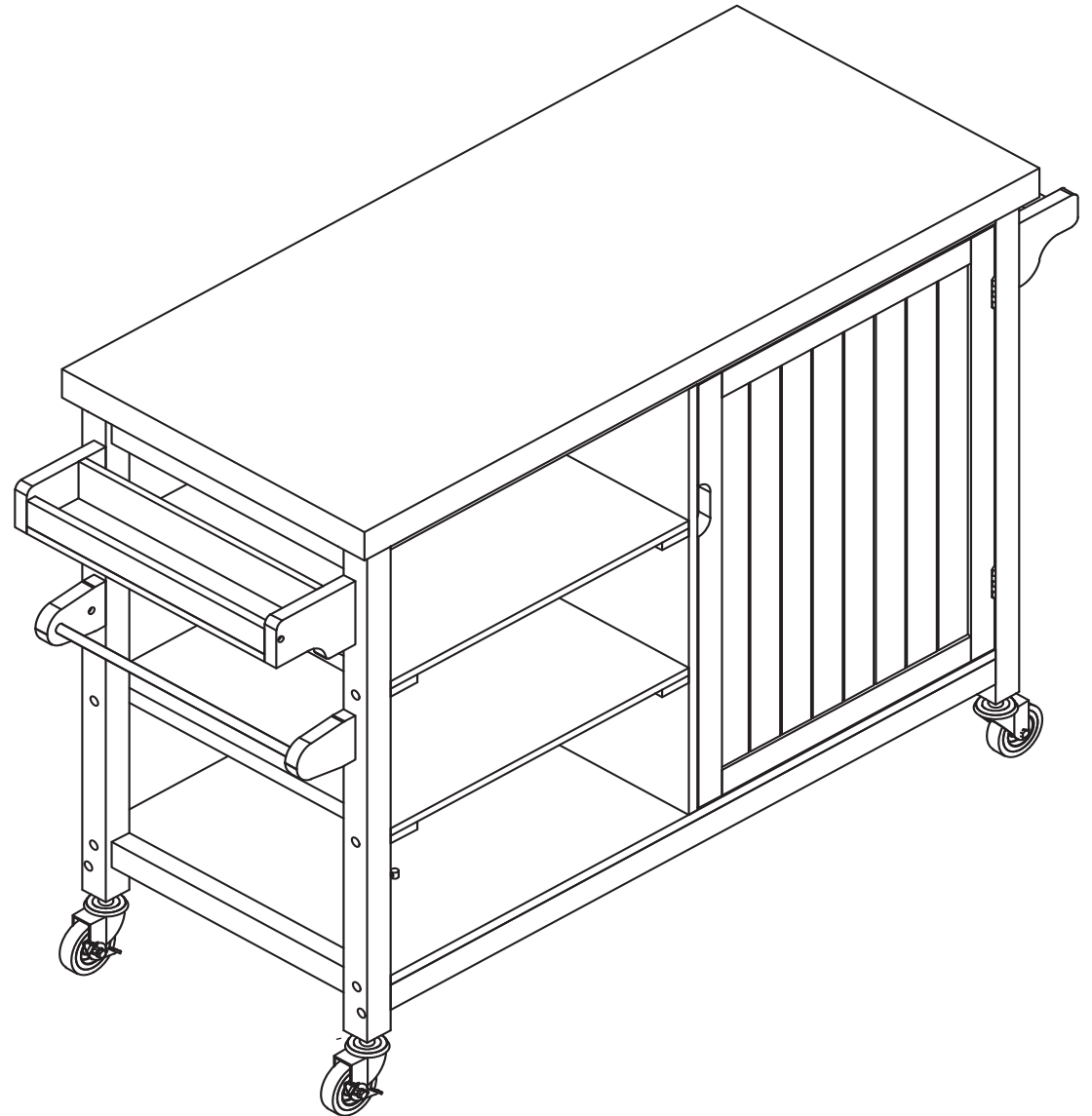



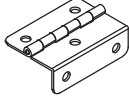



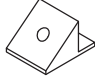




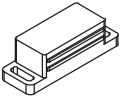
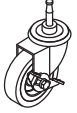
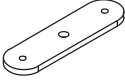

# Installation & Assembly





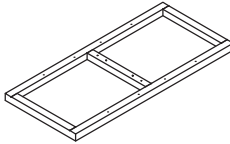
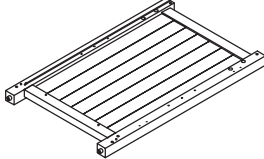
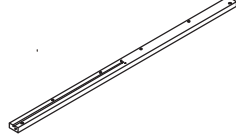
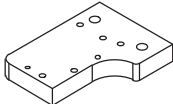
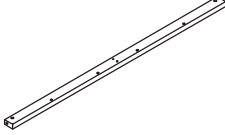
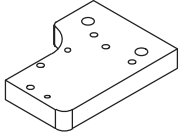
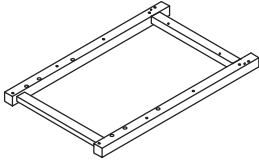
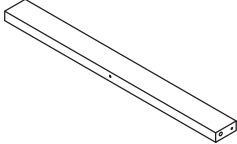


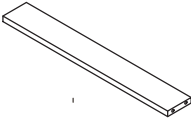
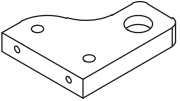
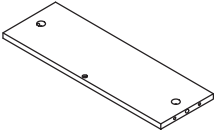
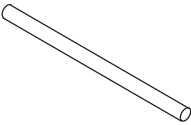
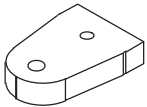
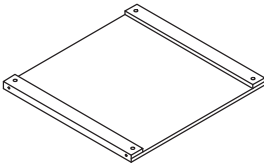
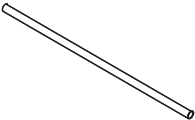
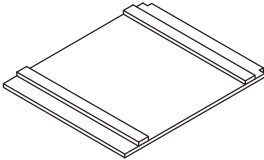
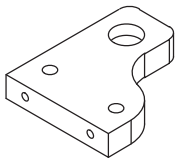
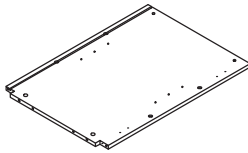
**IMPORTANT, RETAIN FOR FUTURE REFERENCE: READ CAREFULLY**

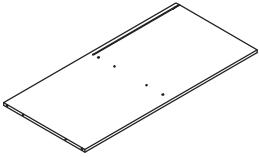
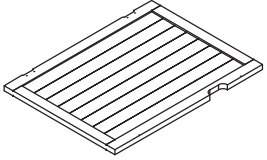
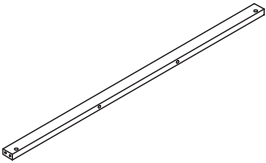
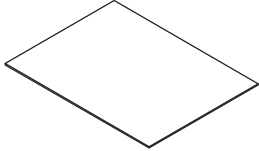
**Notice:**

1. Follow the installation instructions. Please confirm all accessories are preset before installation.
2. Do not fully tighten the screws during initial assembly. Fully tighten screws only once all pieces which are correctly assembled.
3. If you encounter any problems during installation, refer to two solutions: Follow the installation video tutorial on the Amazon product page or contact our customer service.

Item No.	Reference Image	Qty.	Item No.	Reference Image	Qty.
<b>A</b>	 Ø6x35mm	×4	<b>H</b>		×2
<b>B</b>	 Ø15x10mm	×4	<b>I</b>		×4
<b>C</b>	 Ø6x30mm	×34	<b>J</b>		×4
<b>D</b>	 Ø4x35mm	×13	<b>K</b>	 Ø3x14mm	×20
<b>E</b>	 Ø4x45mm	×4	<b>L</b>		×2
<b>F</b>		×2	<b>M</b>		×2
<b>G</b>		×2	<b>N</b>	 Ø6x40mm	×6

Item No.	Reference Image	Qty.	Item No.	Reference Image	Qty.
<b>O</b>	 Ø6x65mm	×26	<b>Q</b>	 M4mm	×1
<b>P</b>	 Ø10x10mm	×32	<b>R</b>		×1
<b>1</b>		×1	<b>5</b>		×1
<b>2</b>		×1	<b>6</b>		×1
<b>3</b>		×1	<b>7</b>		×1
<b>4</b>		×1	<b>8</b>		×1

Item No.	Reference Image	Qty.	Item No.	Reference Image	Qty.
9		×1	14		×1
10		×1	15		×1
11		×2	16		×2
12		×1	17		×1
13		×1	18		×1

Item No.	Reference Image	Qty.	Item No.	Reference Image	Qty.
19		×1	21		×1
20		×2	22		×1

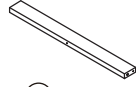
# 1



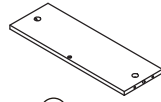
ⓐ 3PCS



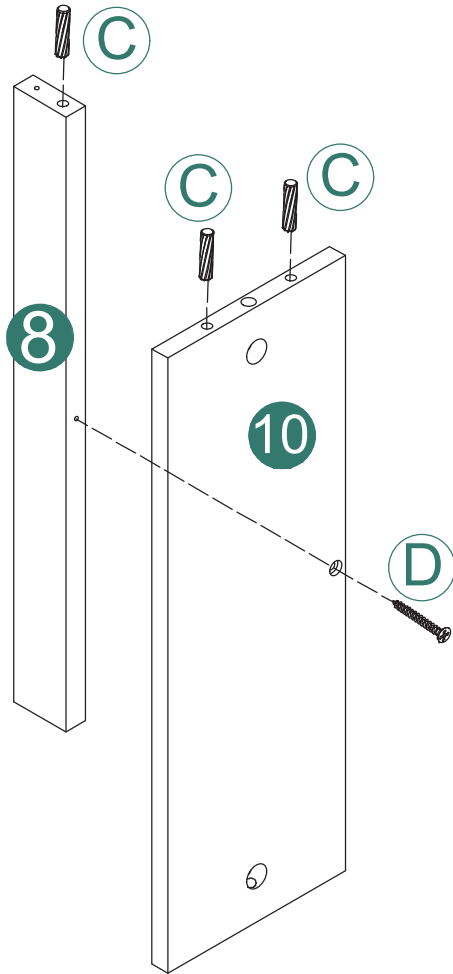
ⓓ 1PC



ⓑ 1PC

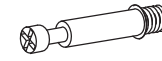


ⓓ 1PC

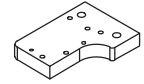


5

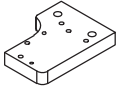
# 2



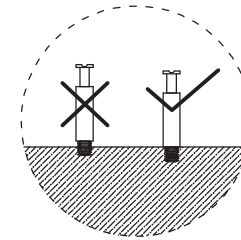
ⓐ 2PCS



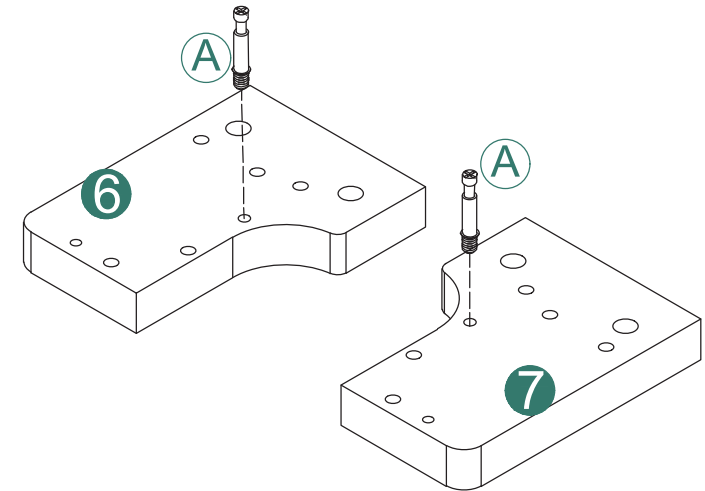
ⓐ 1PC



ⓐ 1PC



Tighten ⓐ clockwise until all of their threads are engaged.



6

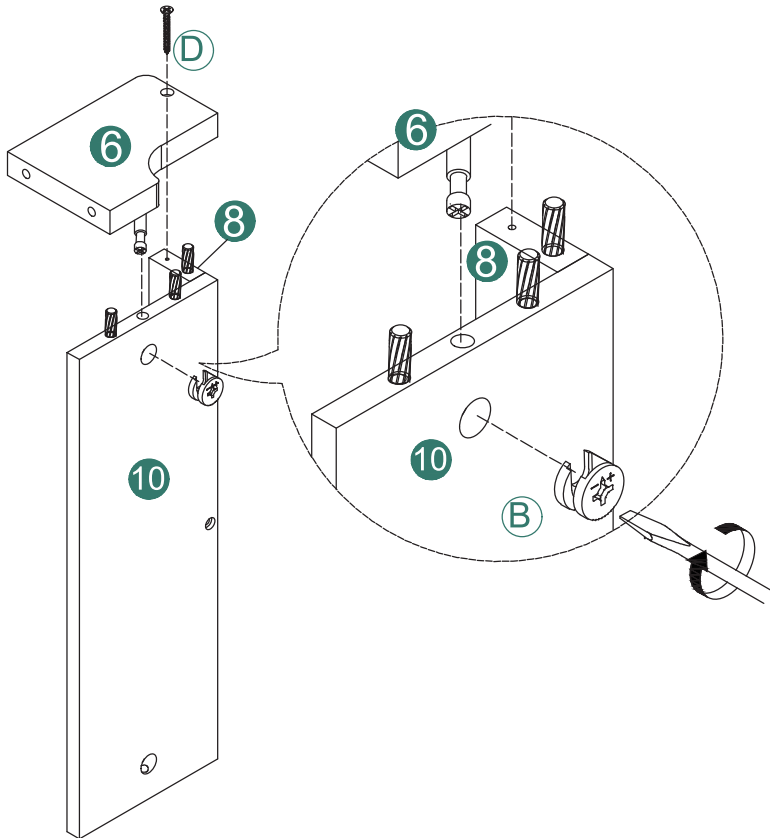
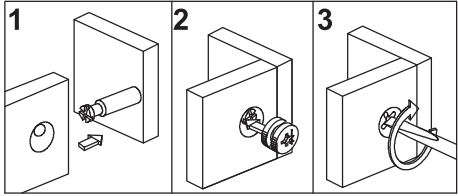
3



Ⓑ 1PC



Ⓓ 1PC

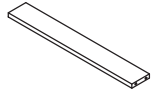


7

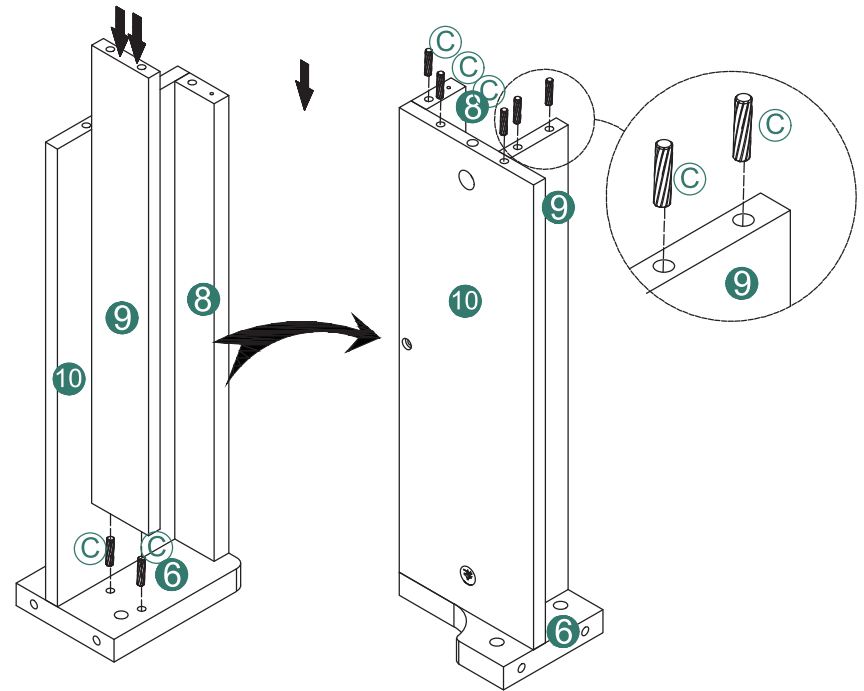
4



Ⓒ 7PCS



Ⓙ 1PC



8

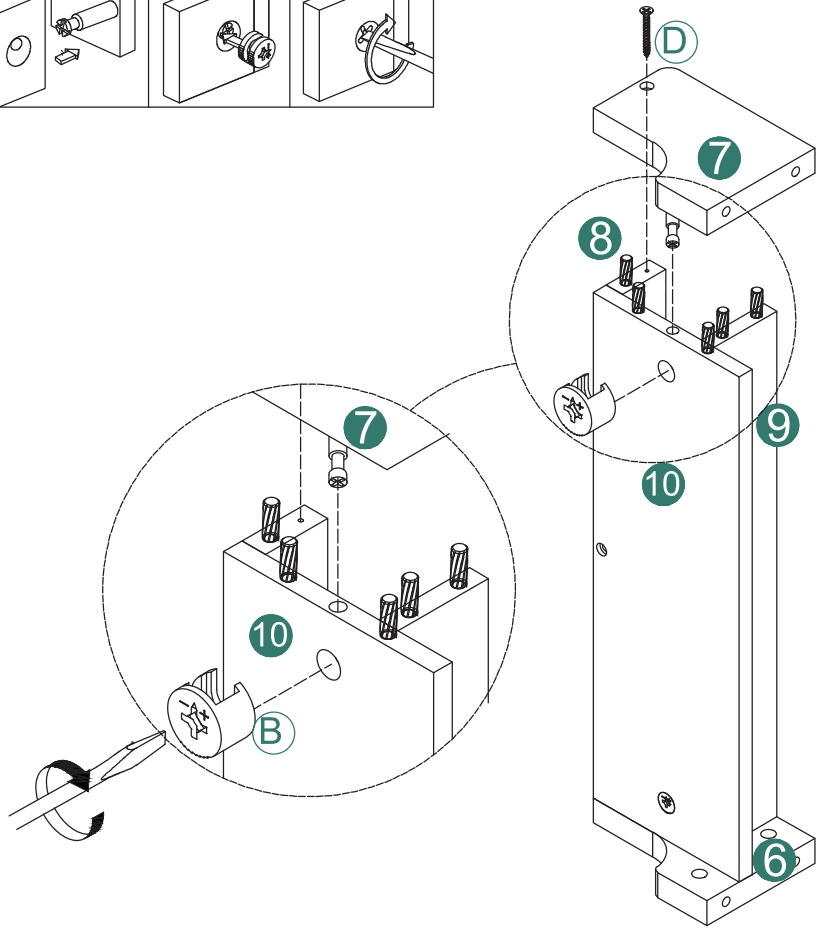
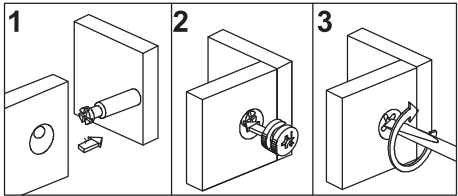
# 5



ⓑ 1PC



ⓓ 1PC



9

# 6



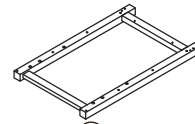
ⓐ 4PCS



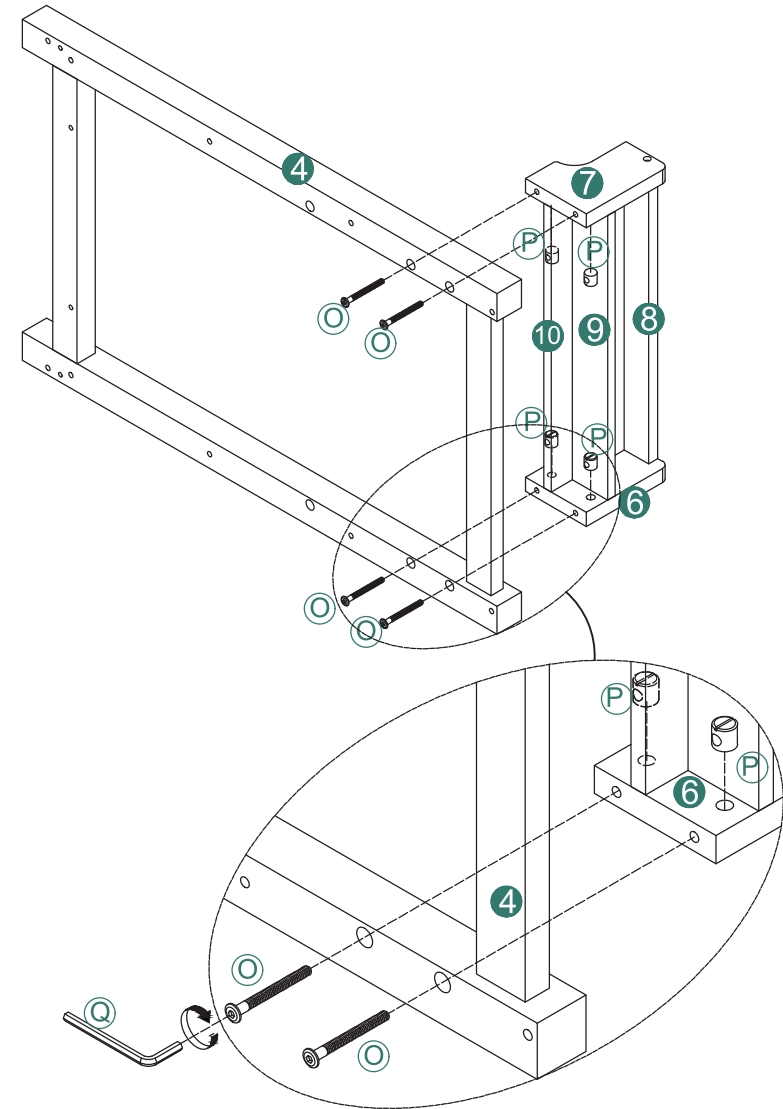
Ⓟ 4PCS



ⓑ 1PC



ⓓ 1PC

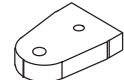


10

# 7



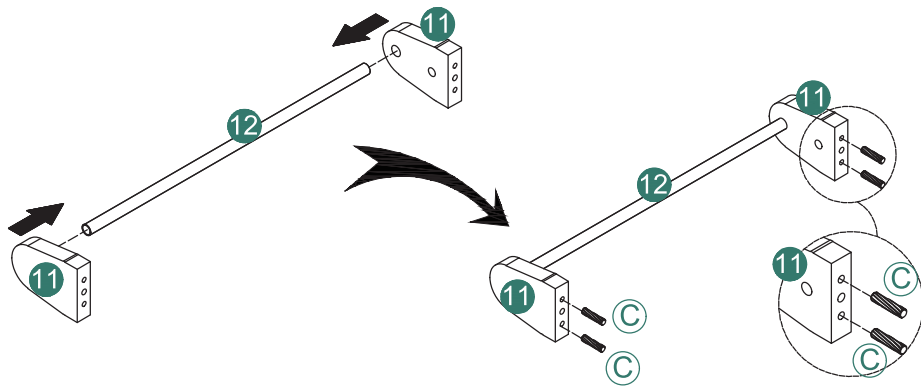
Ⓒ 4PCS



⑪ 2PCS



⑫ 1PC



11

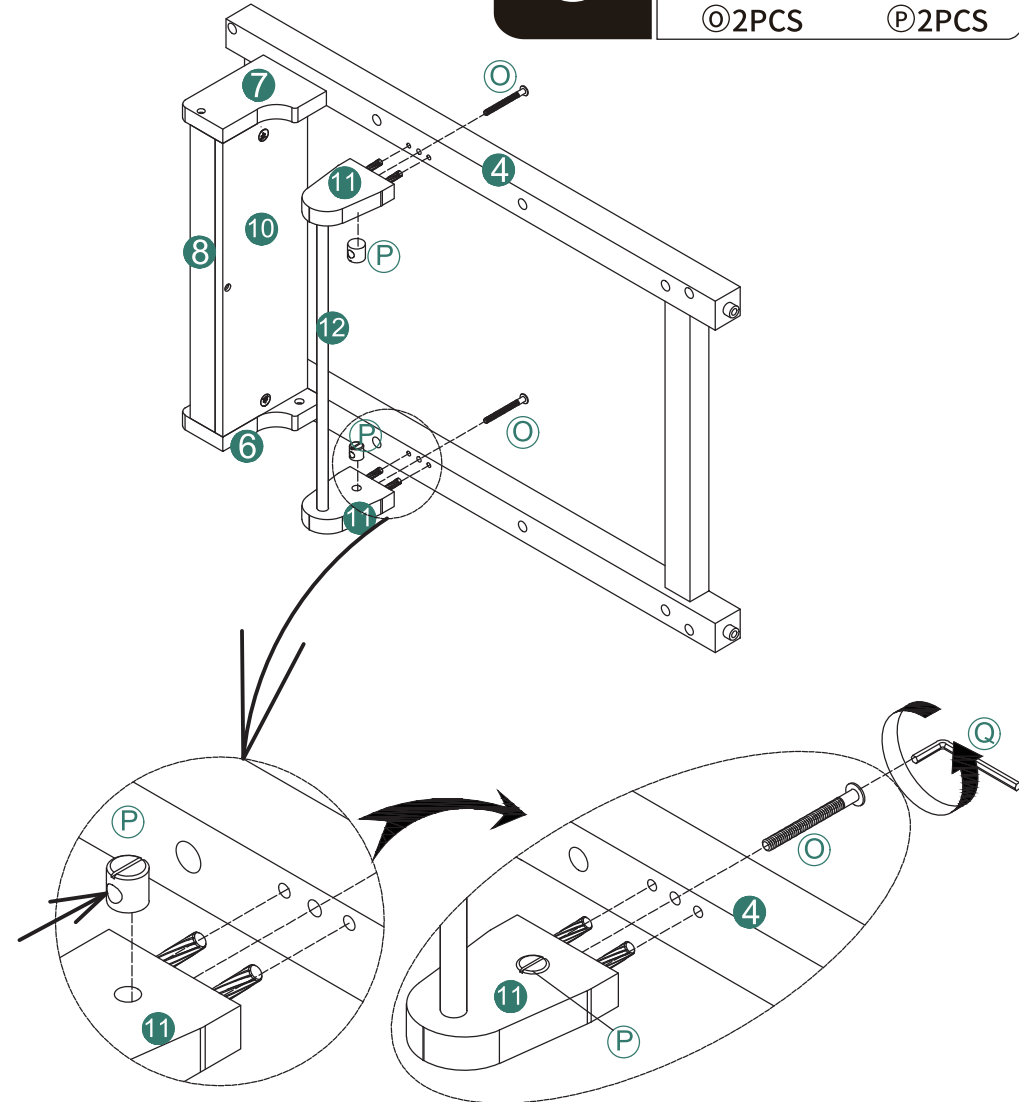
# 8



⓪ 2PCS

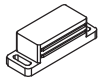


Ⓟ 2PCS



12

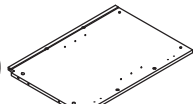
# 9



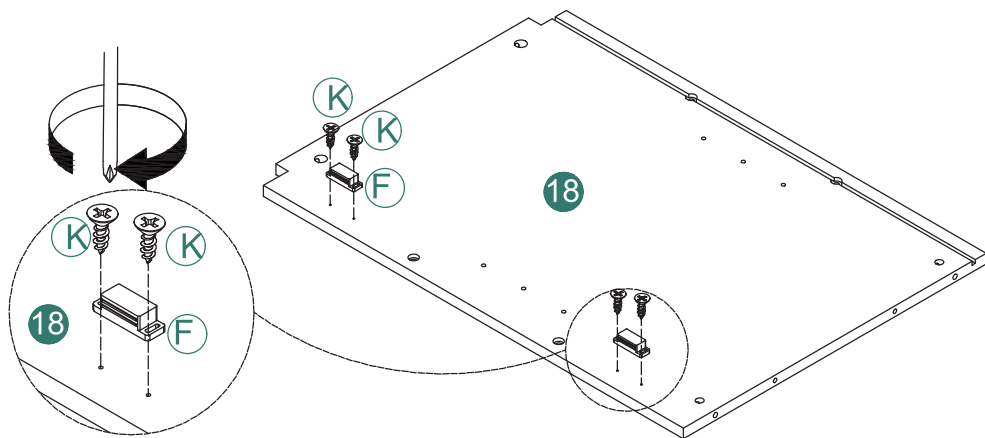
F 2PCS



K 4PCS

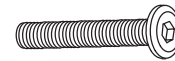


18 1PC



13

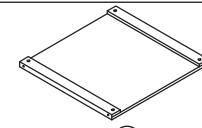
# 10



N 4PCS

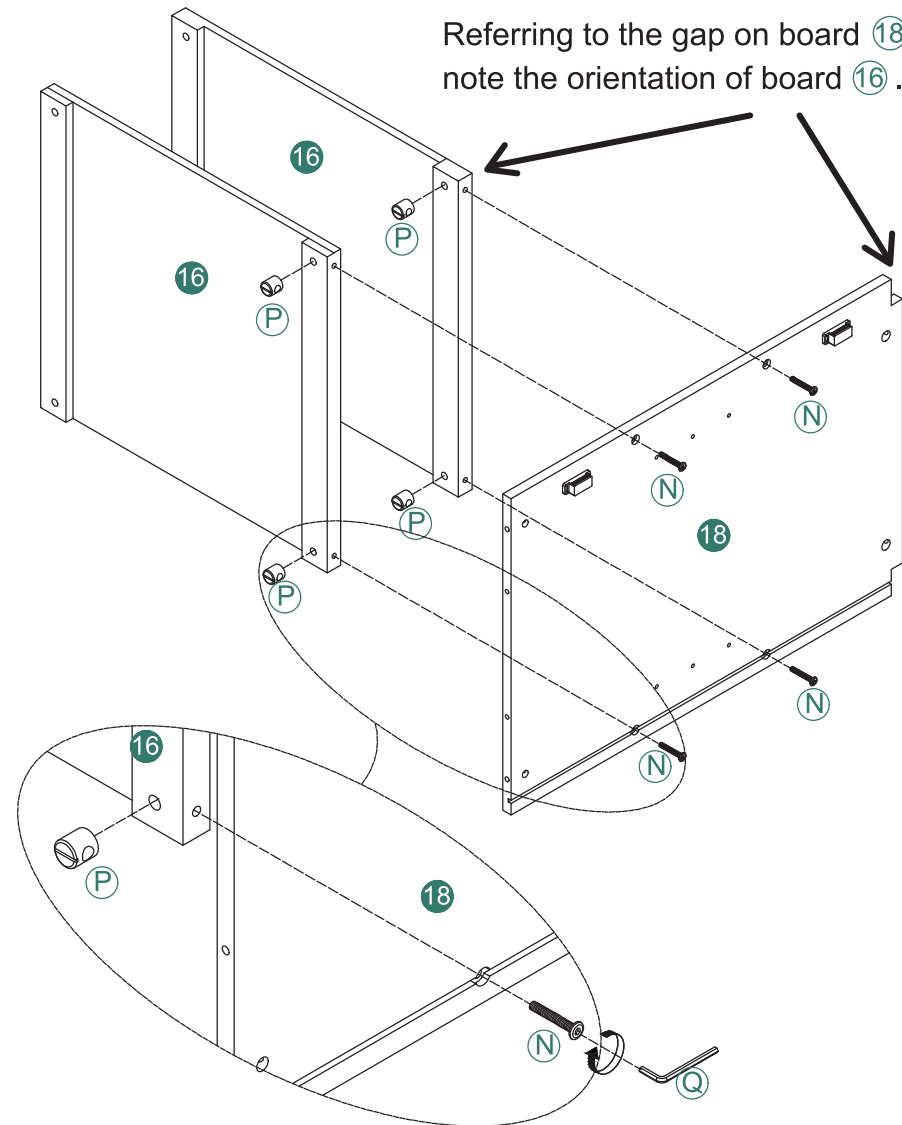


P 4PCS



16 2PCS

Referring to the gap on board 18, note the orientation of board 16.

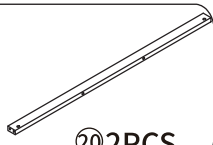


14

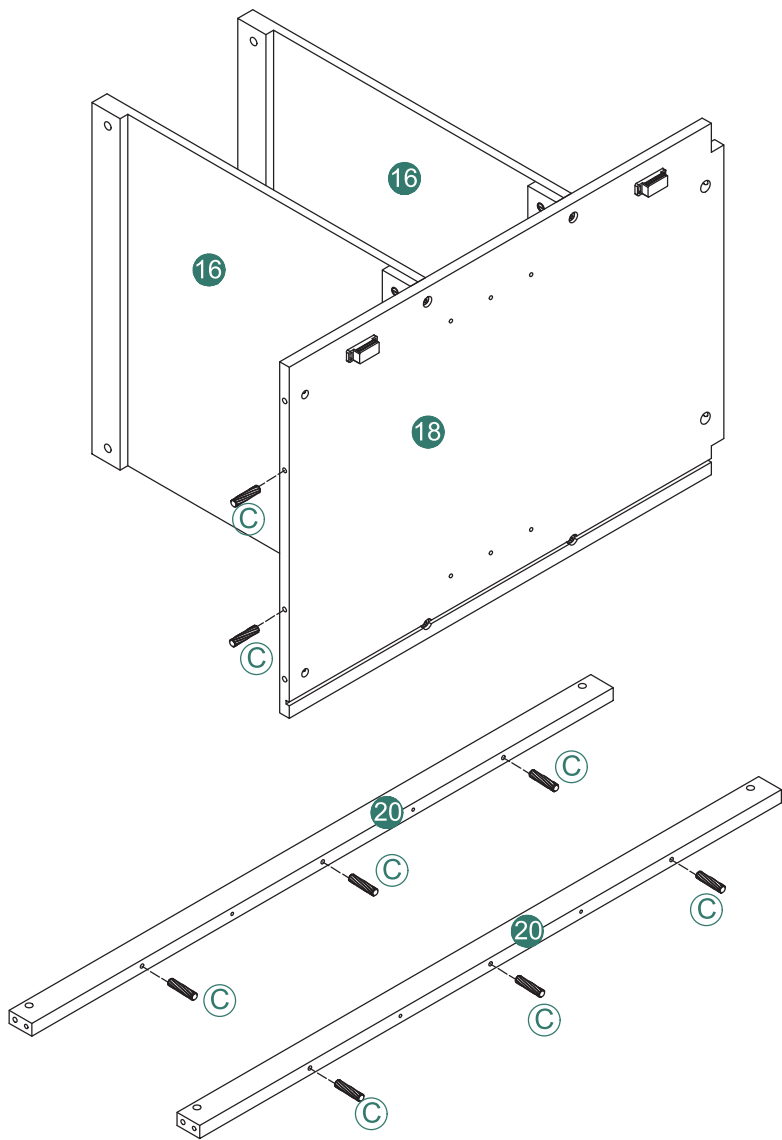
# 11



Ⓒ 8PCS



20 2PCS



15

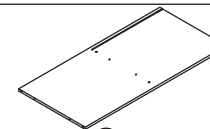
# 12



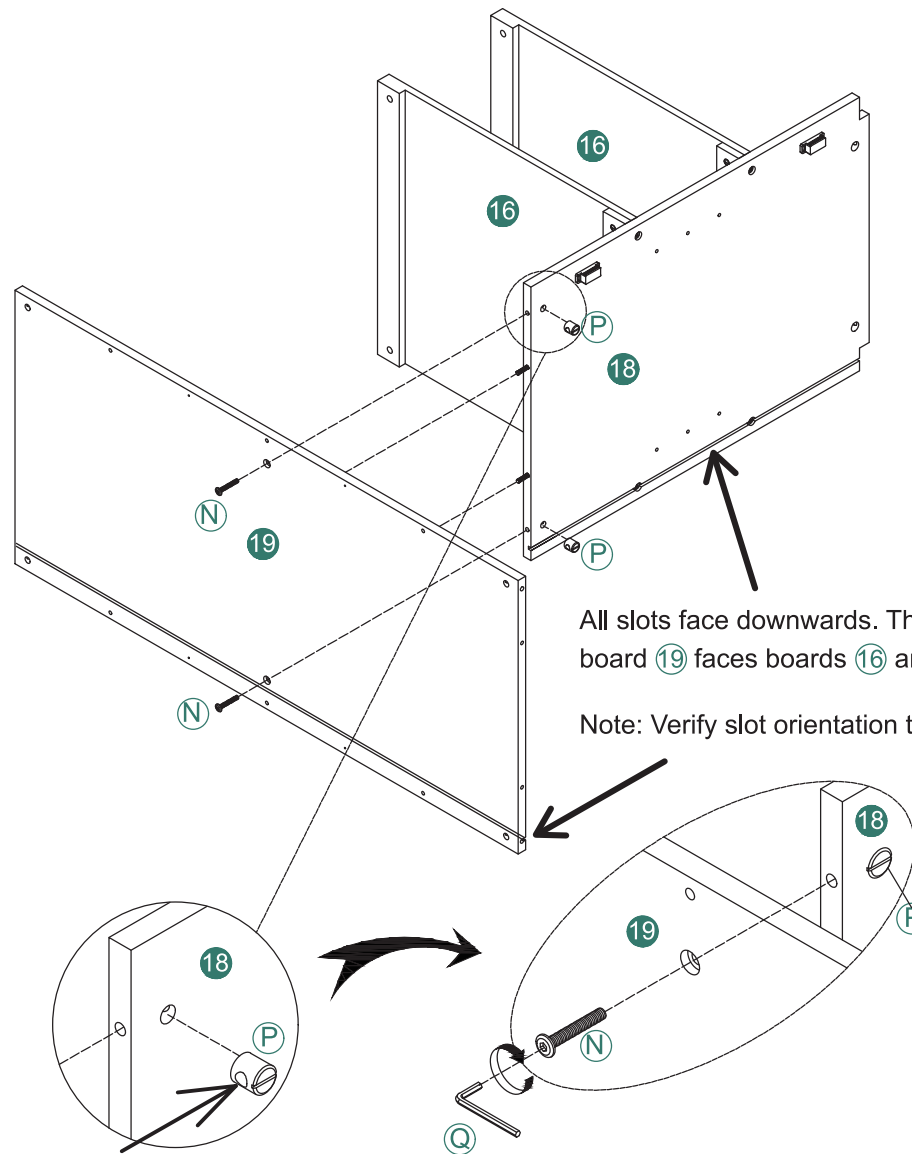
Ⓐ 2PCS



Ⓟ 2PCS



19 1PC

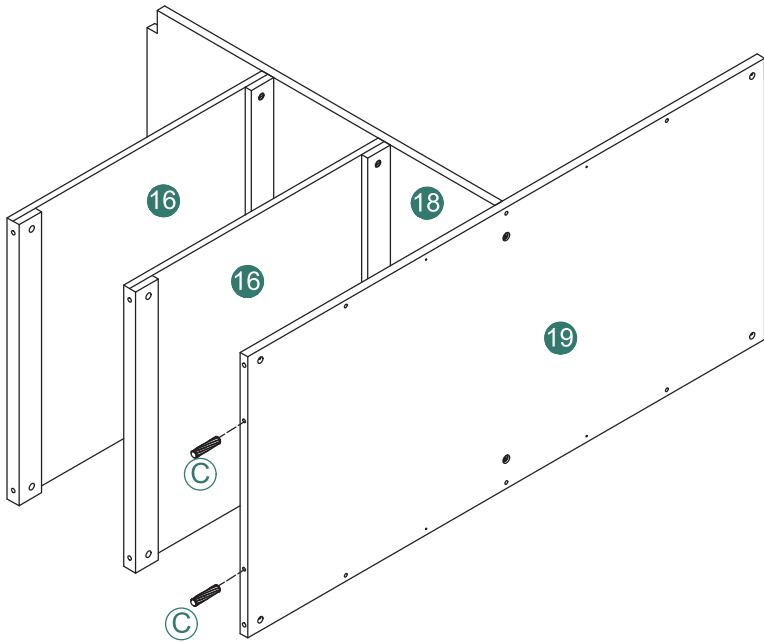


16

13



©2PCS



17

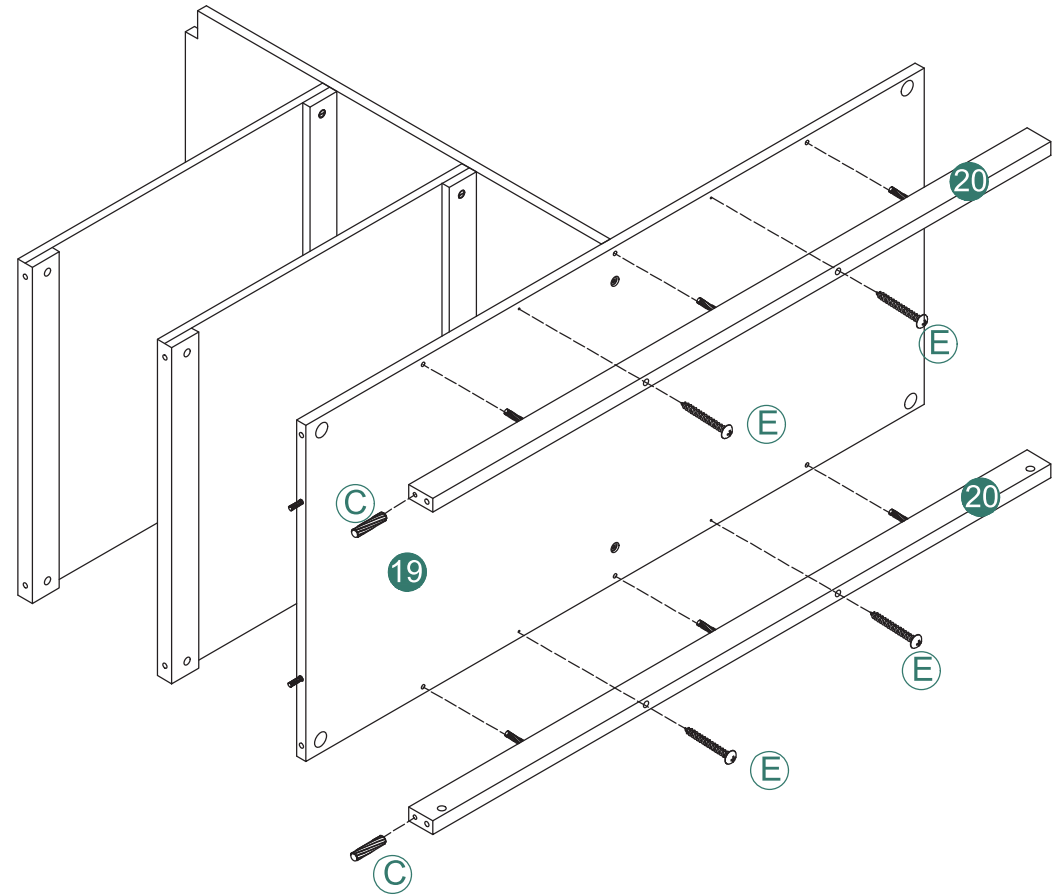
14



©2PCS



©4PCS



18

# 15



Ⓞ8PCS

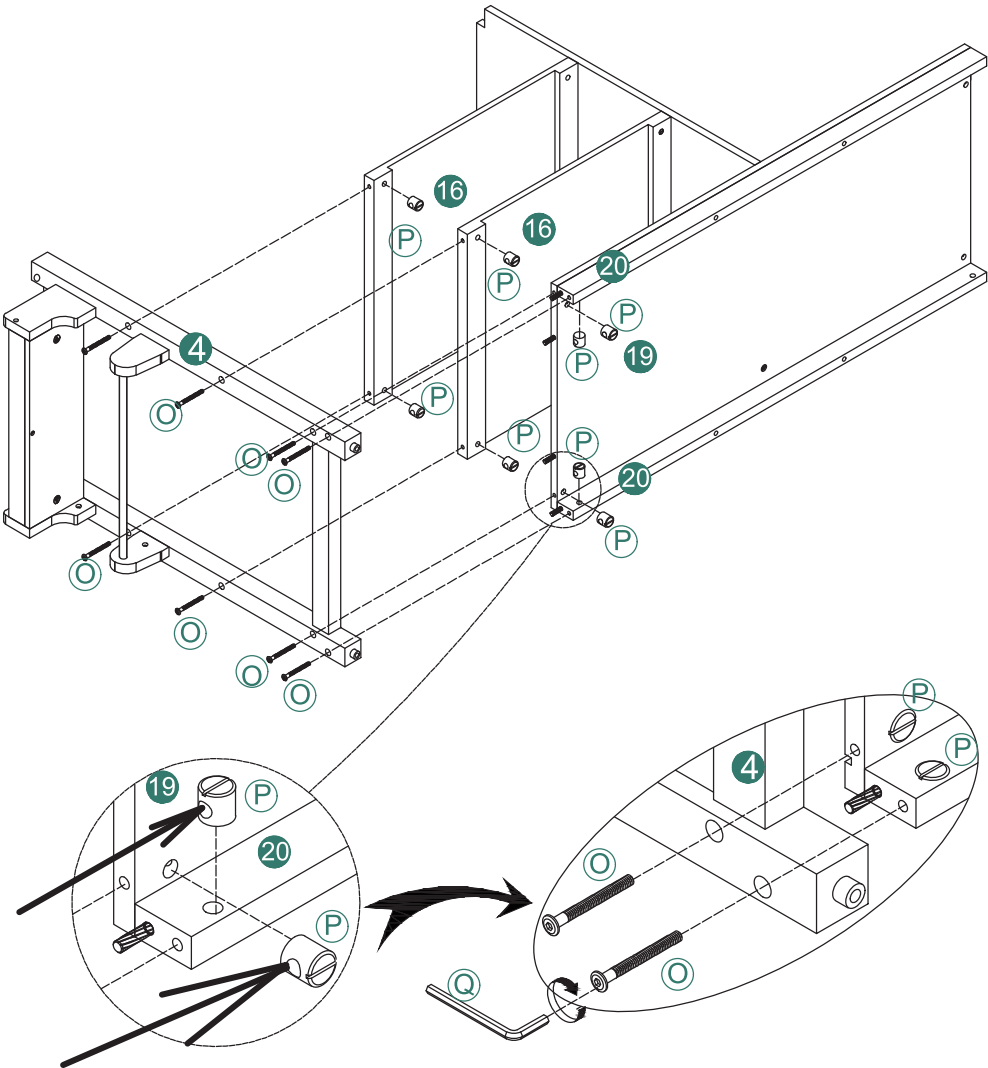


Ⓟ8PCS

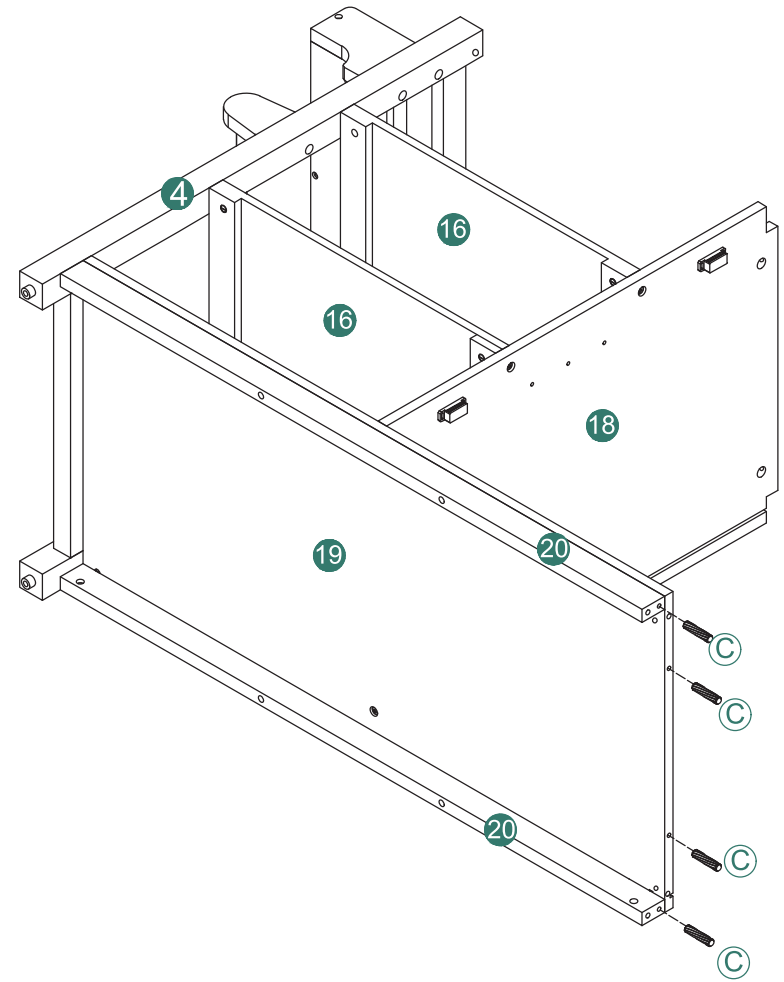
# 16



Ⓞ4PCS

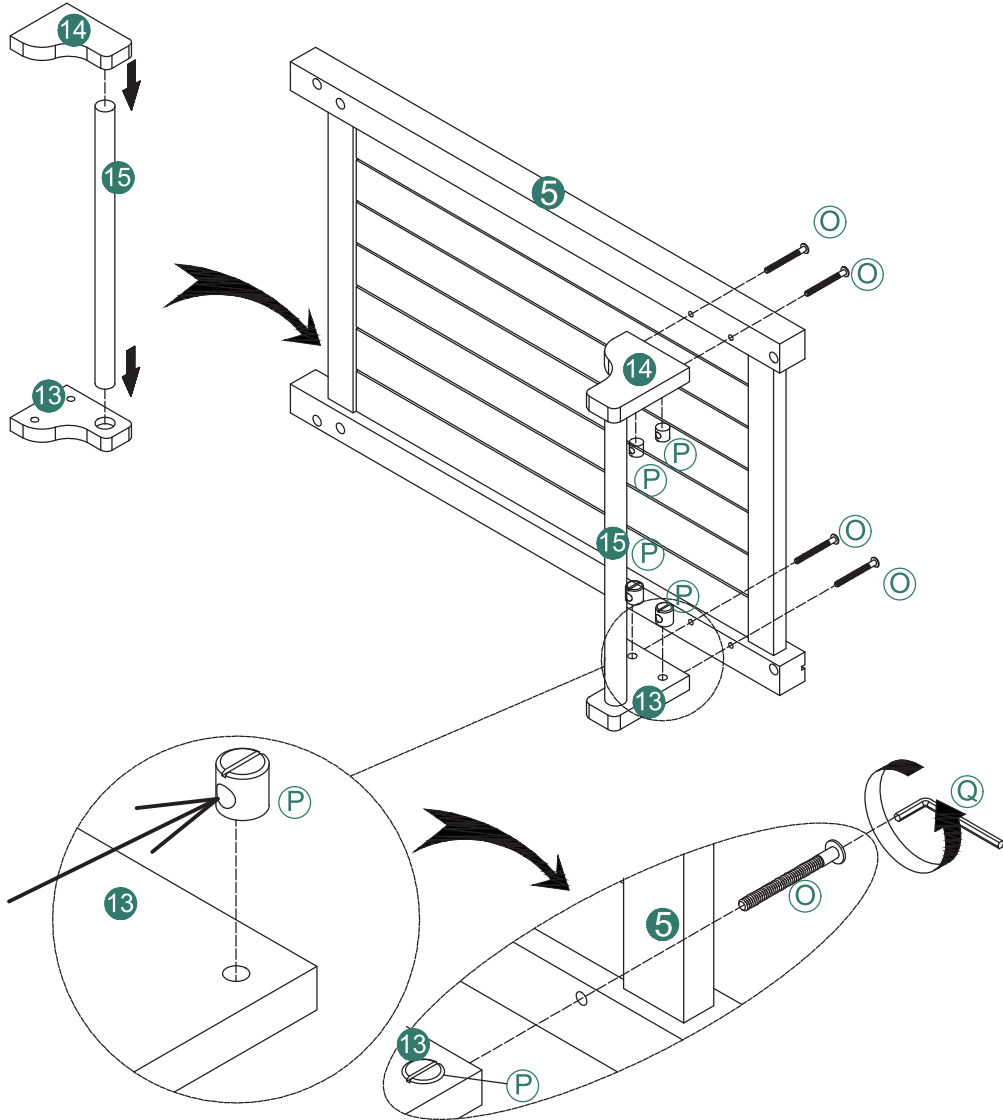
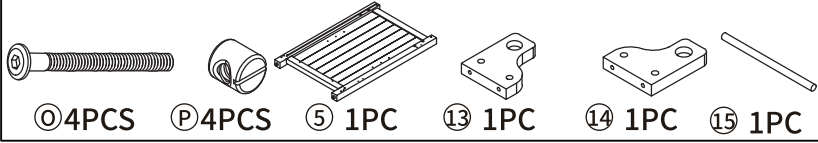


19



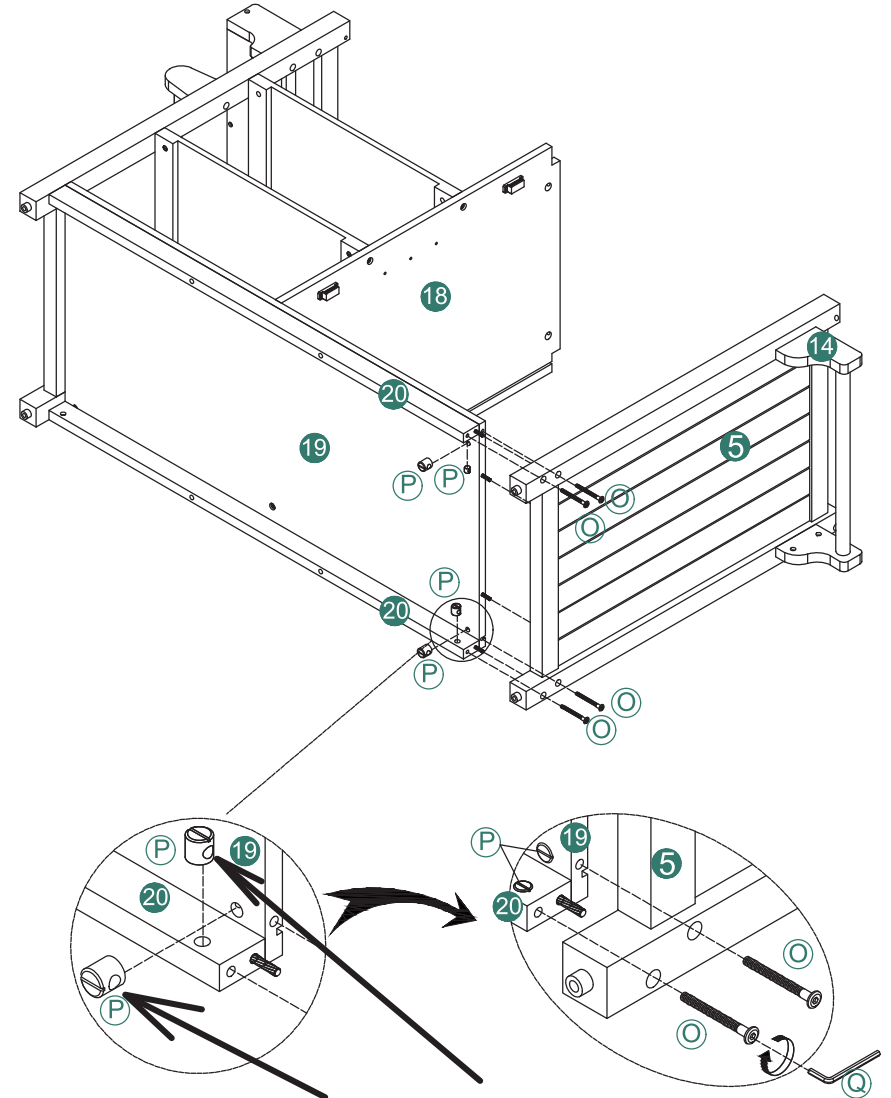
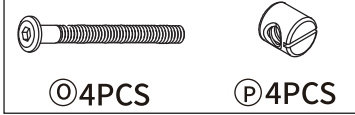
20

# 17




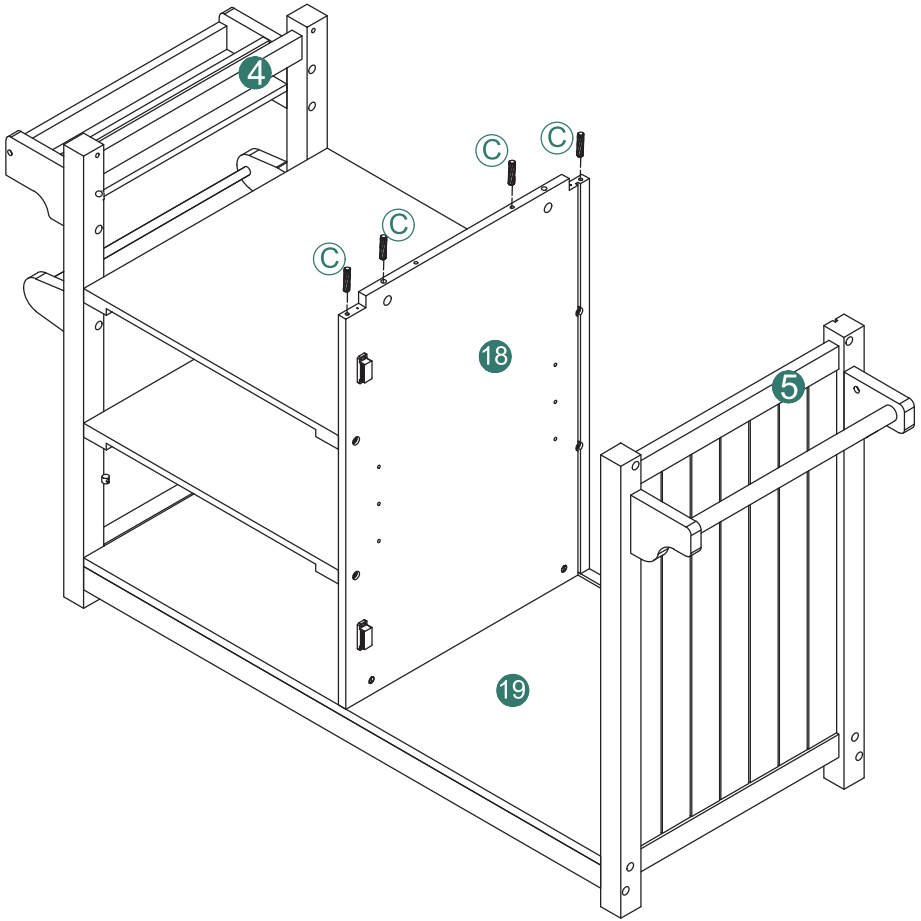
21

# 18

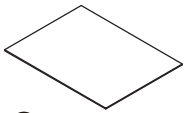


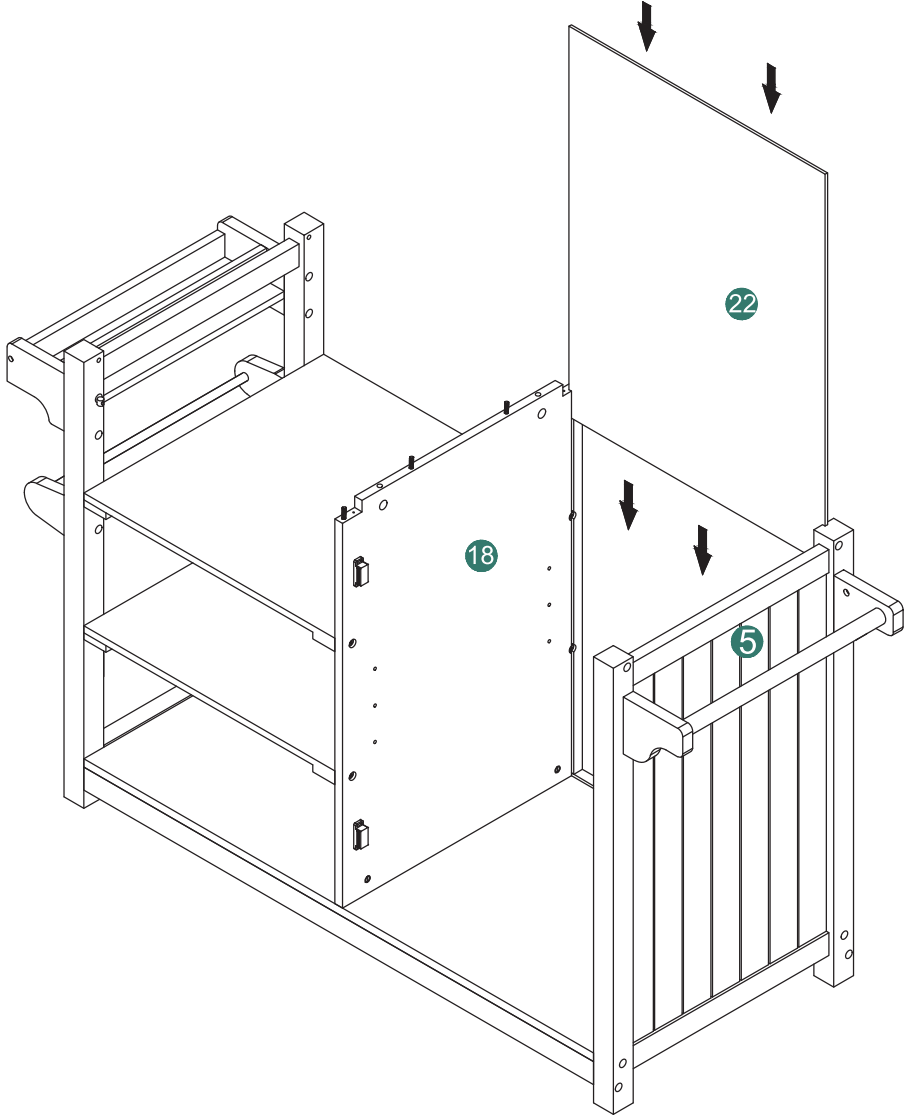
22

**19**  © 4PCS



23

**20**  22 1PC

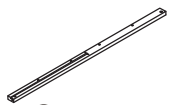


24

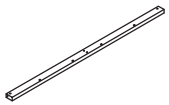
# 21



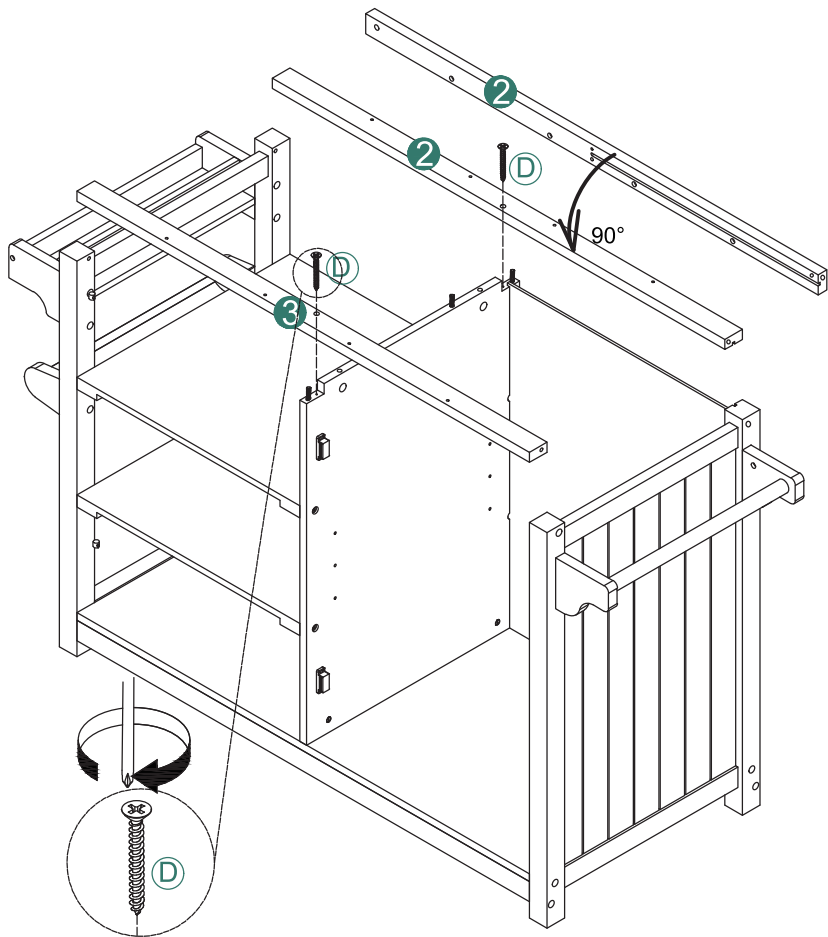
ⓓ 2PCS



② 1PC



③ 1PC



25

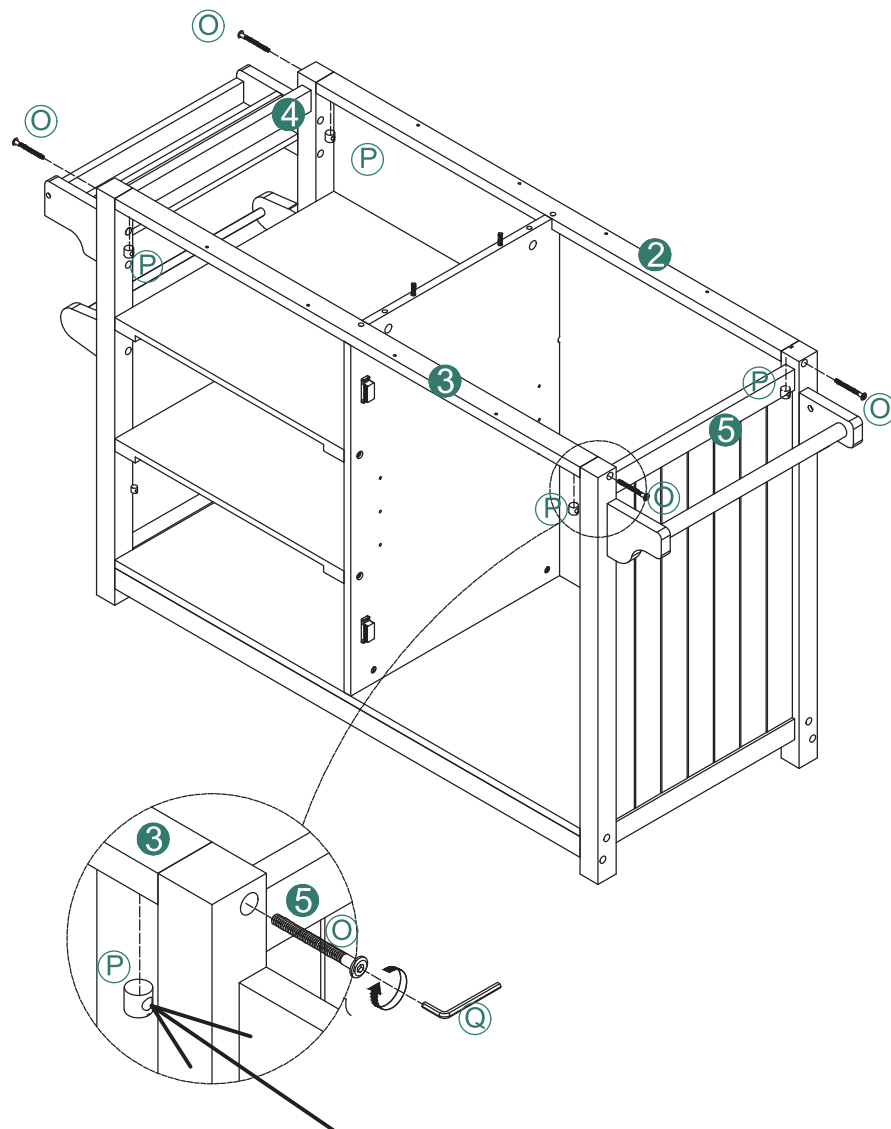
# 22



ⓐ 4PCS

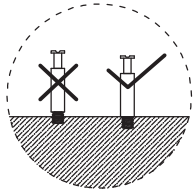
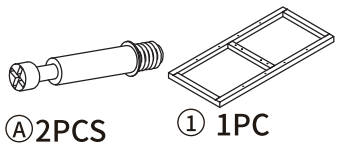


ⓐ 4PCS

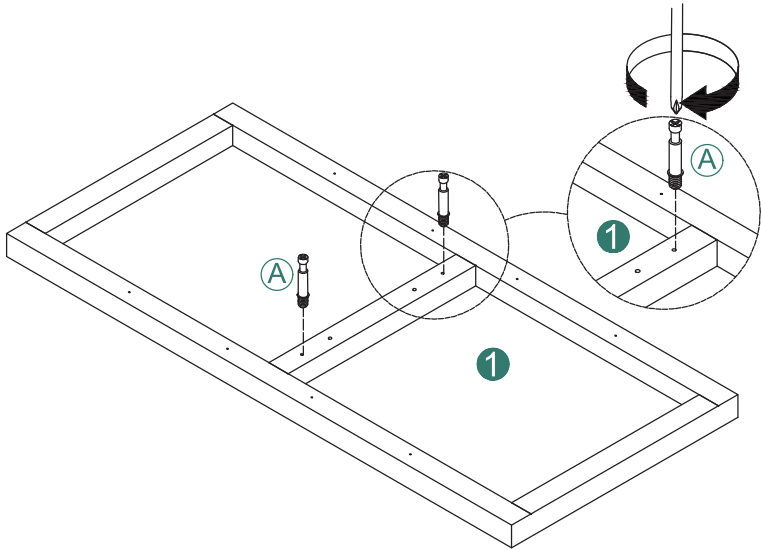


26

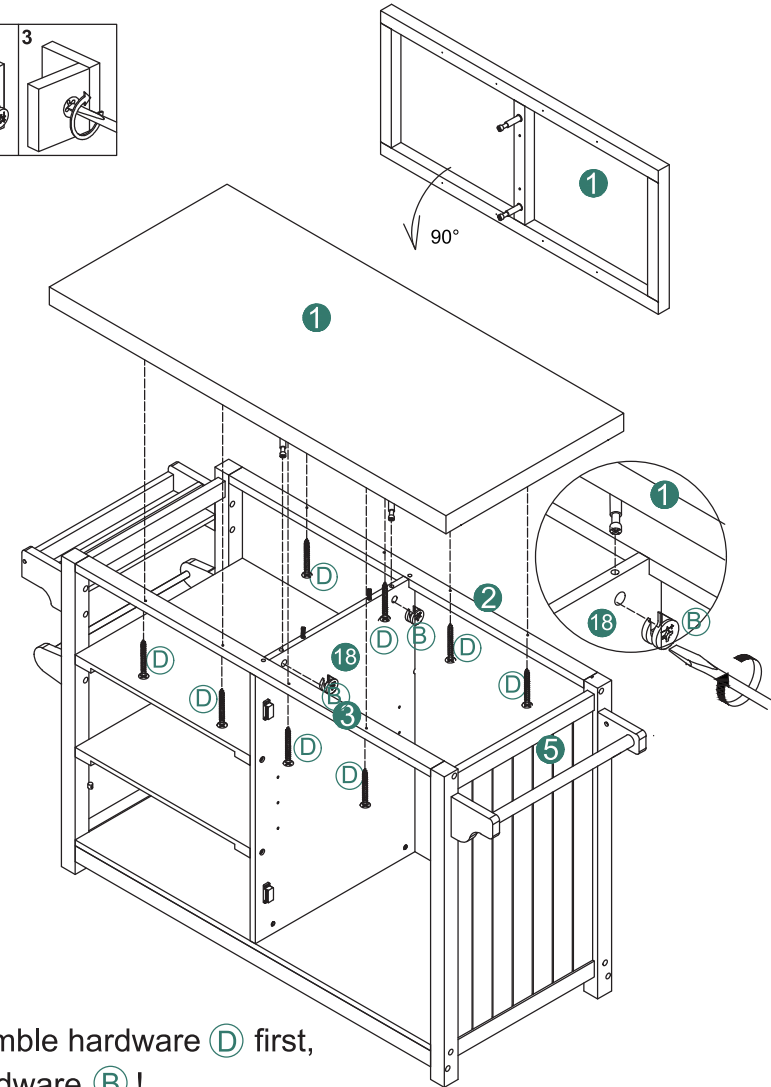
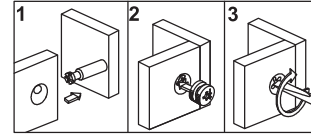
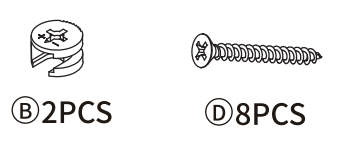
# 23



Tighten **A** clockwise until all of their threads are engaged.

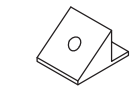


# 24



Please assemble hardware **D** first,  
and then hardware **B** !

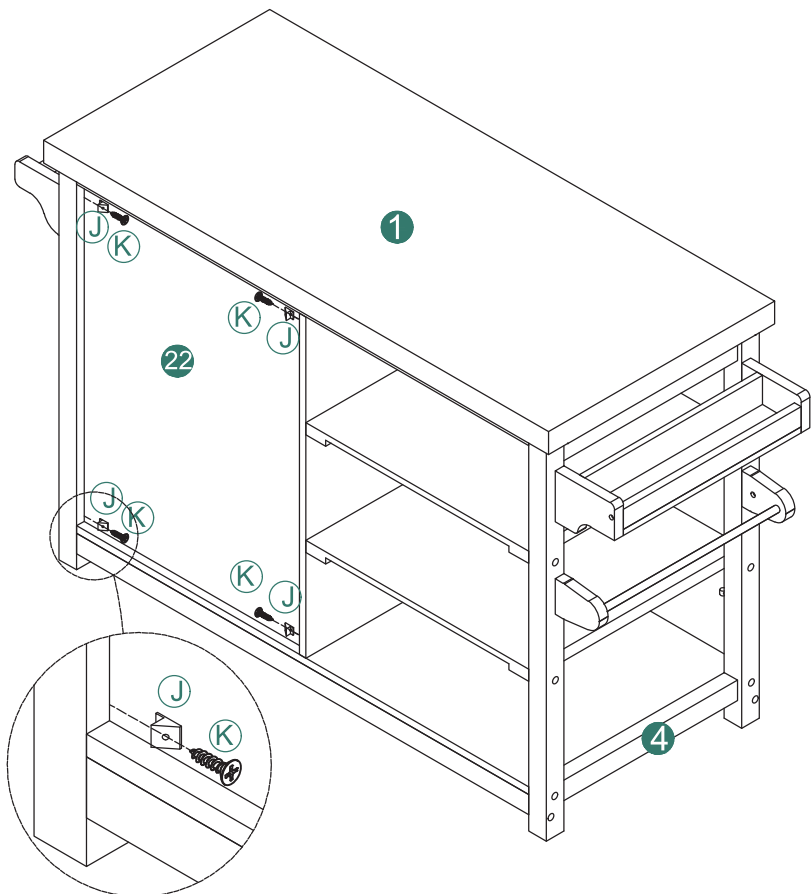
25



J 4PCS



K 4PCS



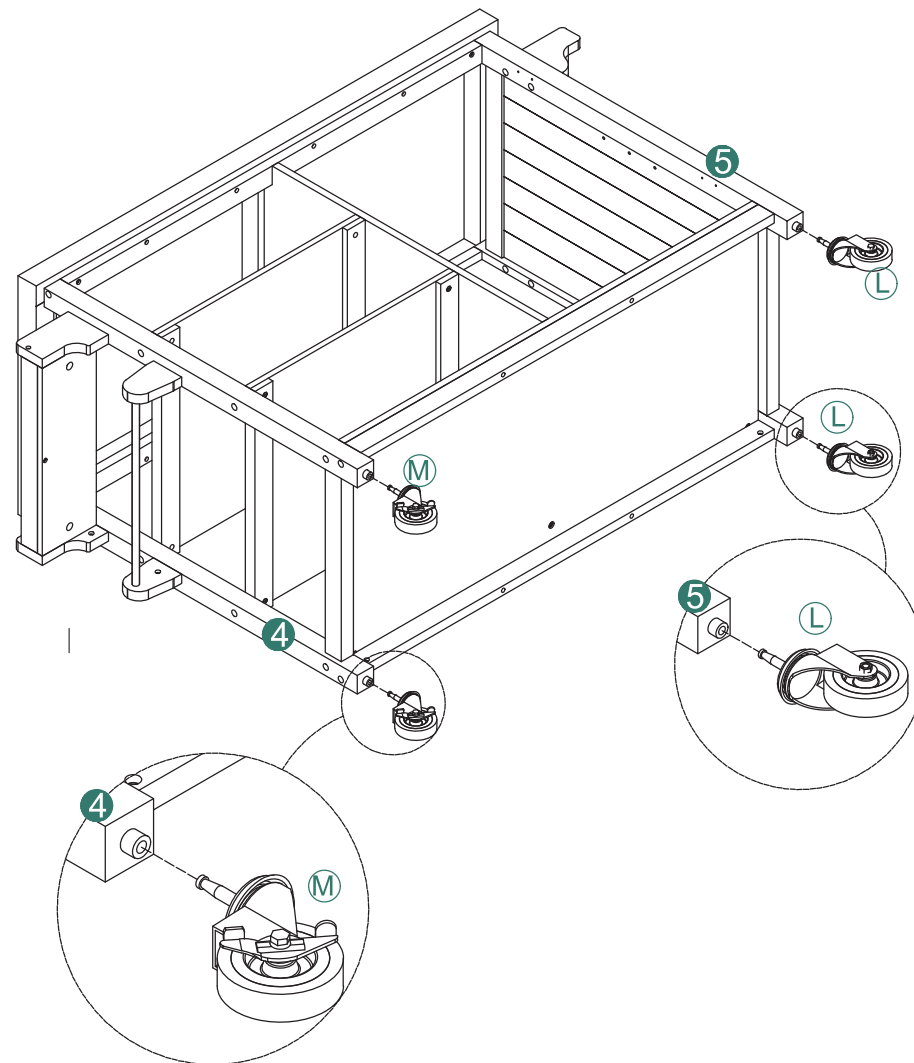
26



L 2PCS



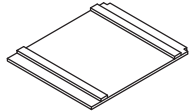
M 2PCS



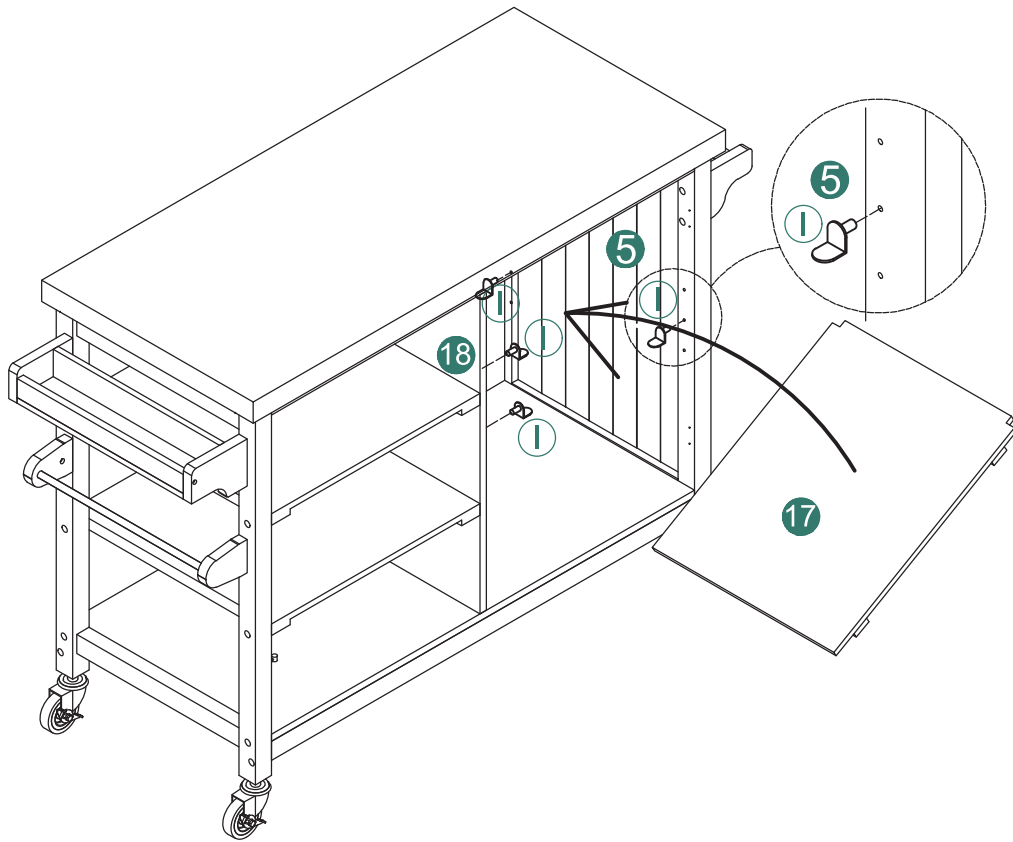
# 27



① 4PCS



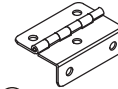
⑰ 1PC



# 28



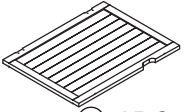
⑥ 2PCS



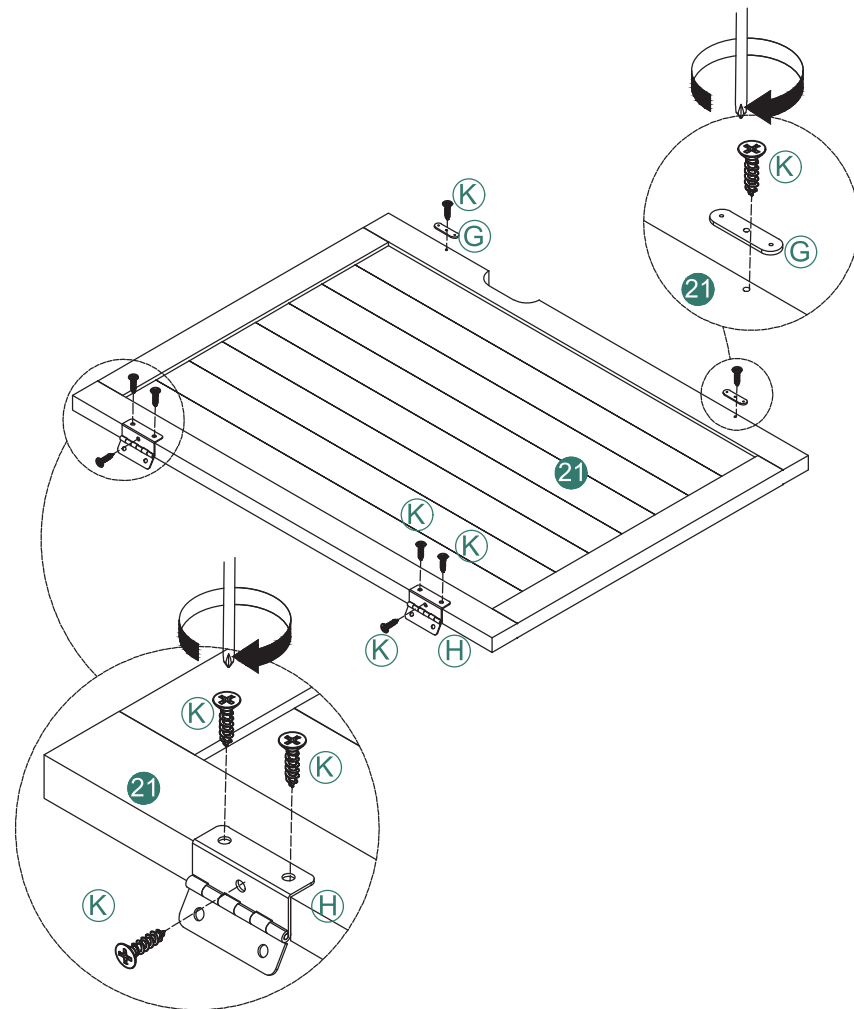
⑨ 2PCS



⑰ 8PCS



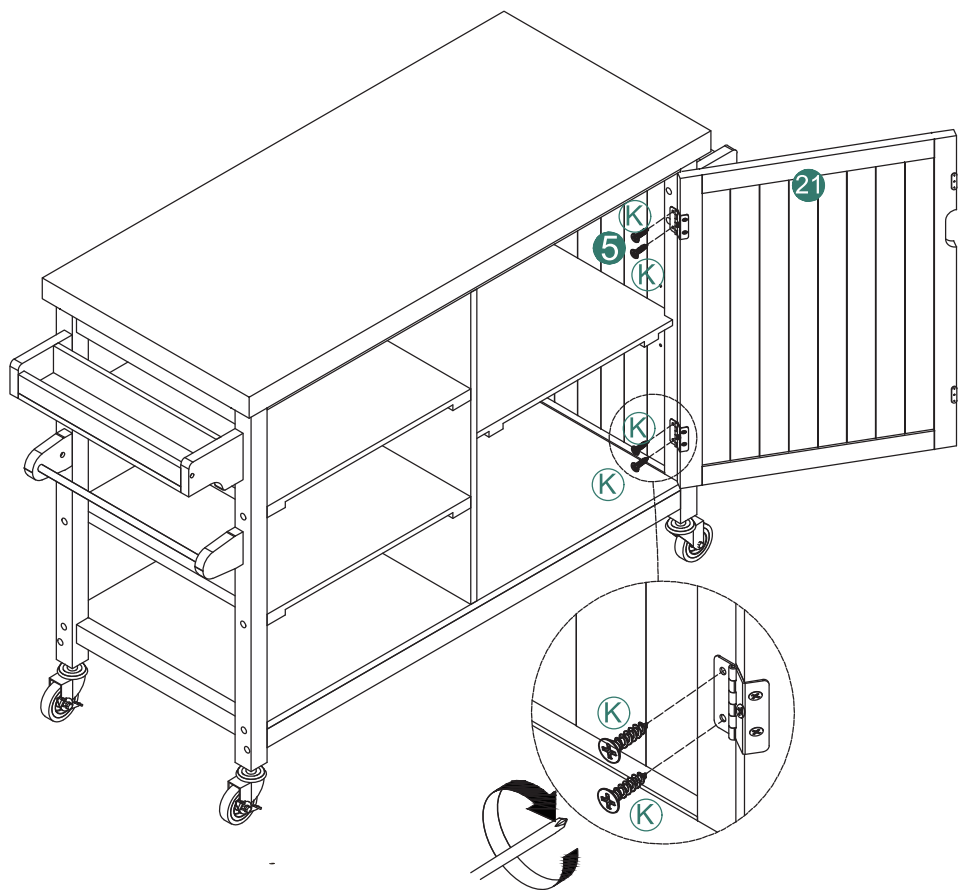
⑳ 1PC



29

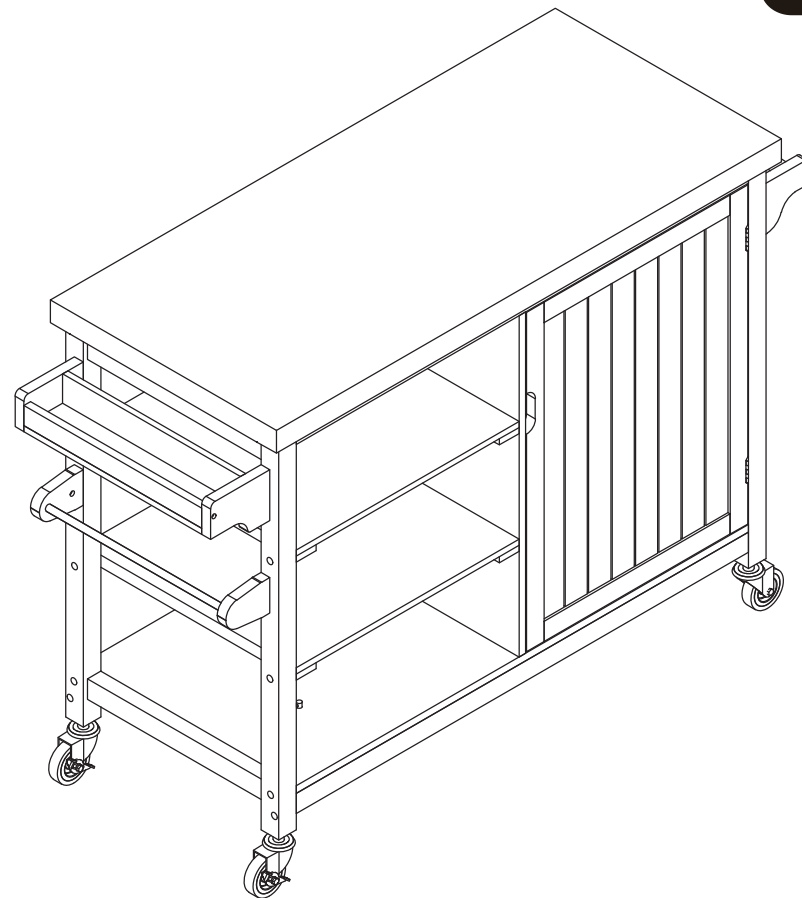


Ⓚ4PCS



33

30



Installation Completed

34