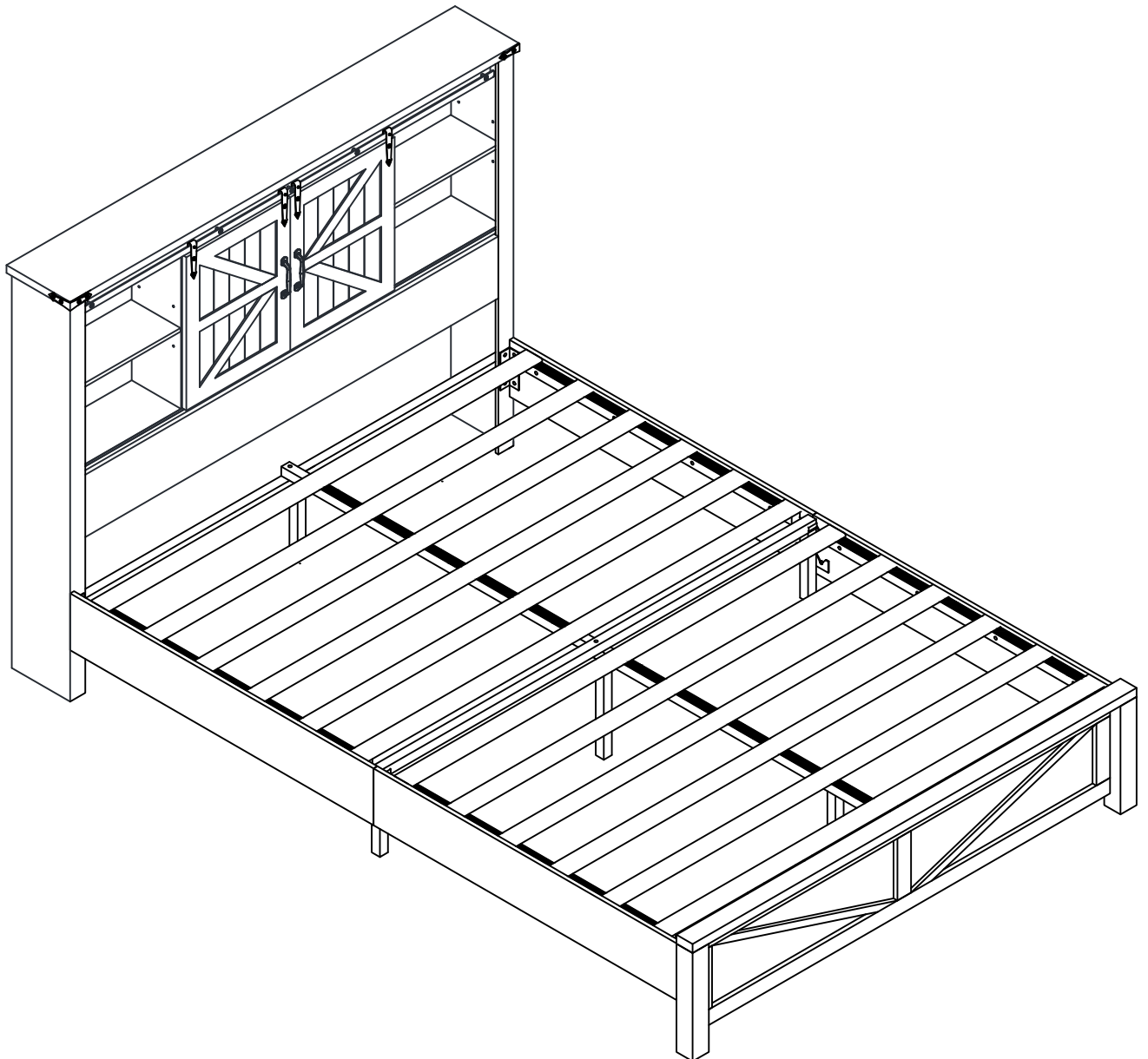


Bookcase Storage Bed Frame Assembly Instructions

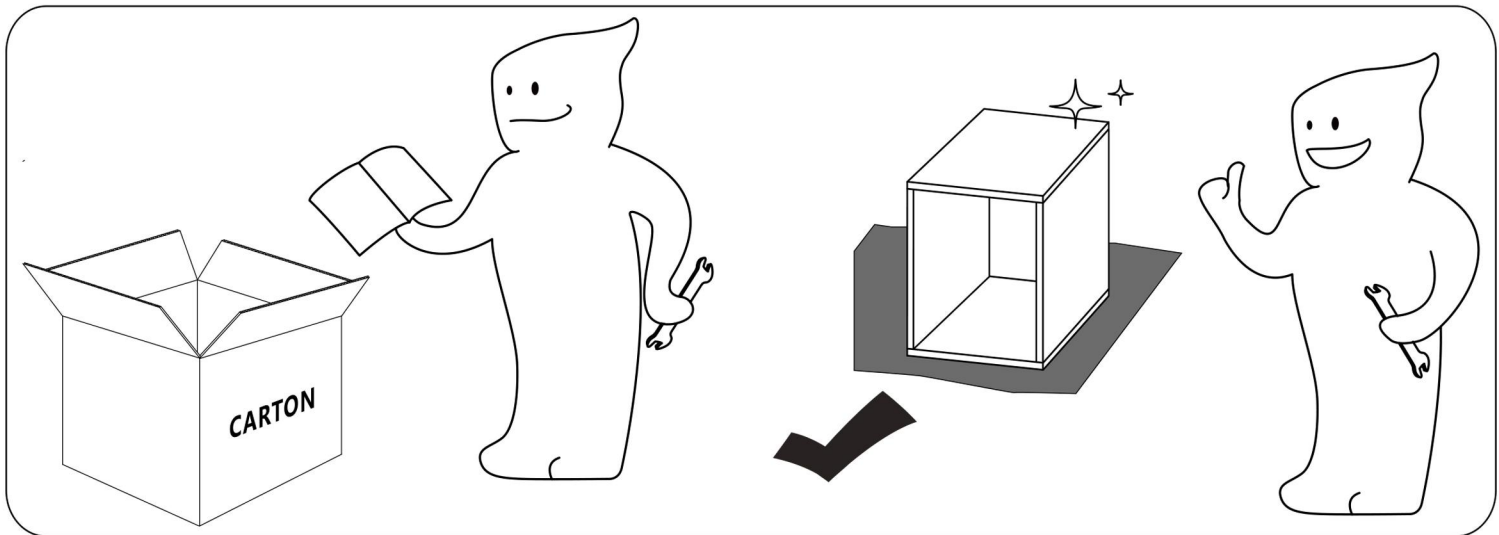
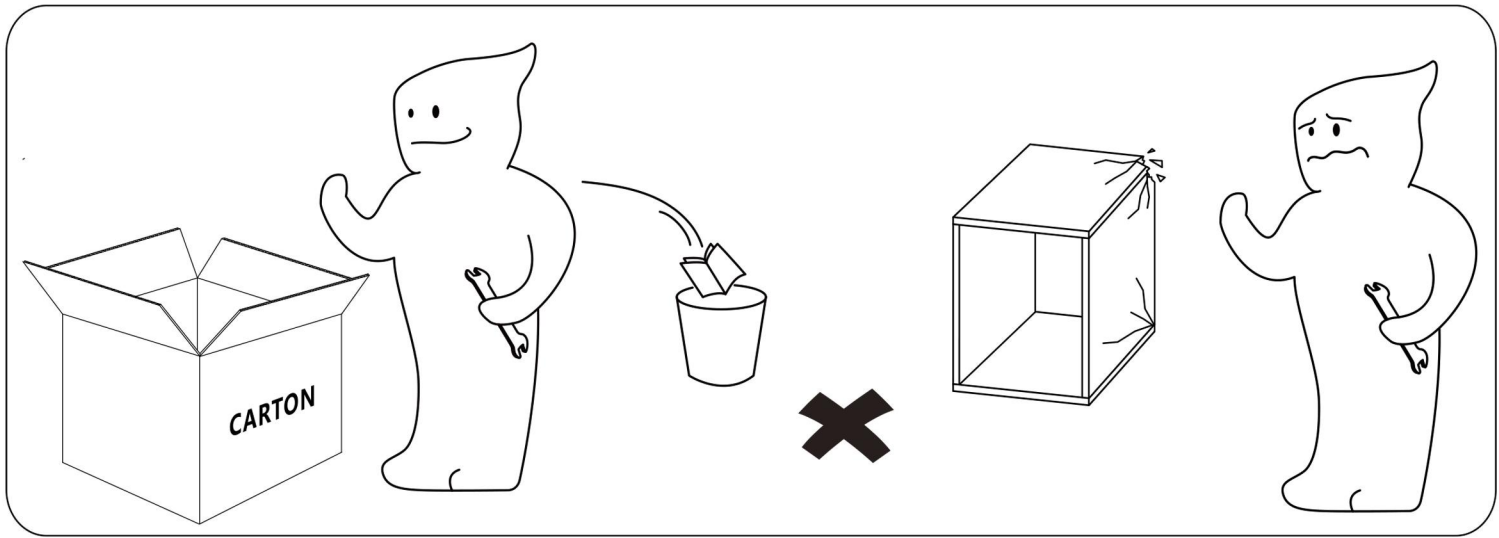


 Friendly Customer Service

Satisfaction Guarantees: Any problems with assembly, quality, or return, please feel free to contact us directly.

! IMPORTANT

Please follow the instruction manuals and use a pad to protect the product during your assembly.



Note:

- 1. Should be assembled on flat ground to keep balance.**
- 2. Before completing the installation, do not tighten the screws.**



For easier and better assembly, **2** or more adults are required.

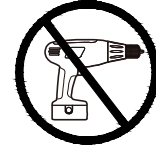


Safety and Care Advice

Important-Please read these instructions fully before starting assembly

- Check you have all the components and tools listed on the following pages.
- Remove all fittings from the plastic bags and separate them into their groups.
- Keep children and animals away from the work area, small parts could choke if swallowed.
- Make sure you have enough space to layout the parts before starting.

- During assembly do not stand or put weight on the product, this could cause damage/
- Assemble the item as close to its final position (in the same room) as possible.
- Assemble on a soft level surface to avoid damaging the unit or your floor.
- Parts of the assembly will be easier with 2 people.



power drill is set on a low torque setting .

- To reduce the likelihood of damaging your product please ensure that your

Care and maintenance

- Only clean using a damp cloth and mild detergent, do not use bleach or abrasive cleaners.

- From time to time check that there are no loose screws on this unit.

- This product should not be discarded with household waste. Take to your local authority waste disposal centre.

Handy Hints

- Assemble all parts and bolts loosely during assembly, only once the product is complete should you fully tighten the bolts.

- Regularly check and ensure that all bolts and fittings are tightened properly.

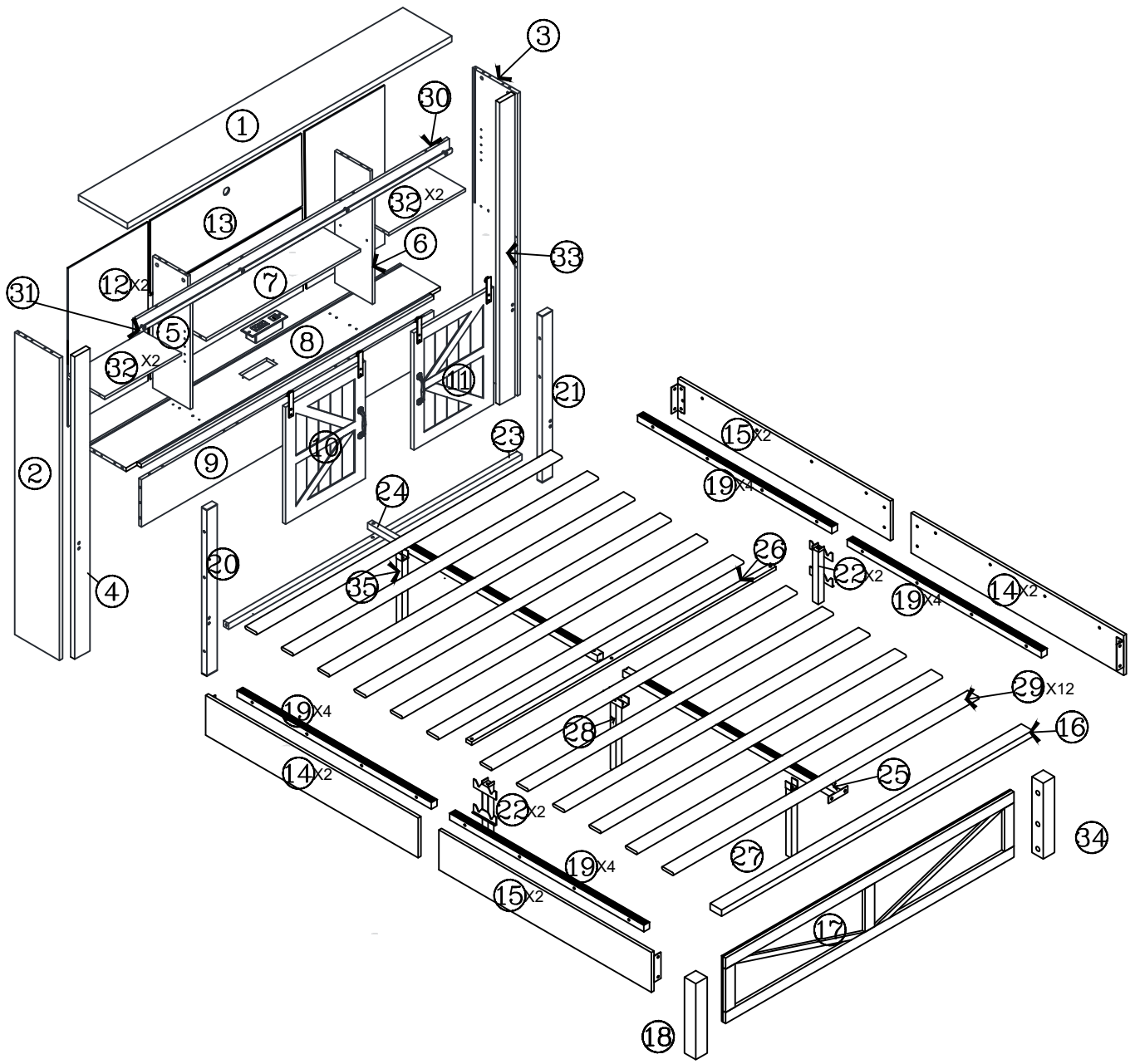
WARNING

In order to help prevent overturning- please follow these instructions

To help prevent product toppling over please follow the steps below:

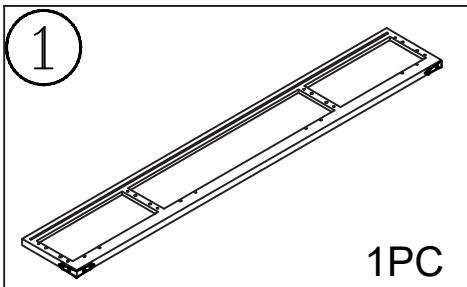
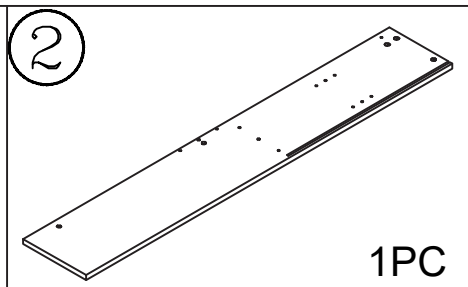
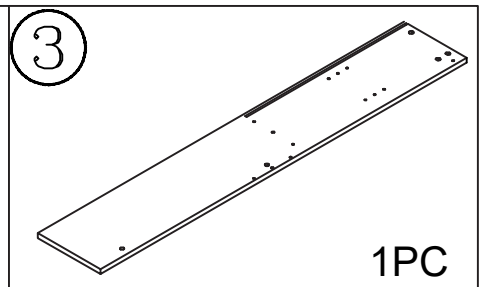
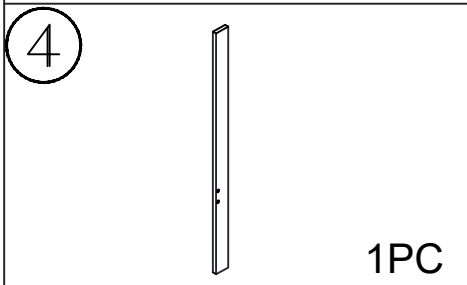
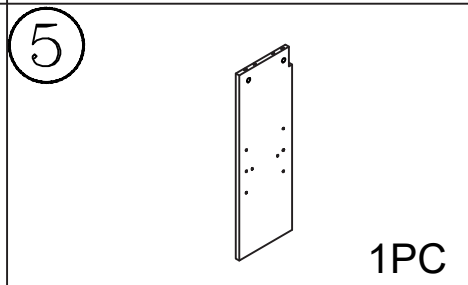
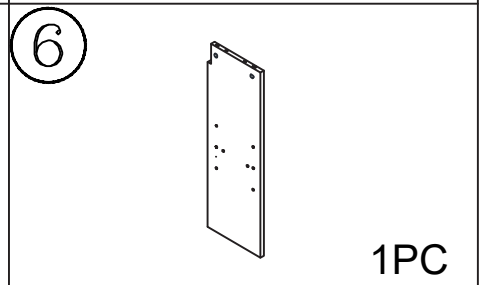
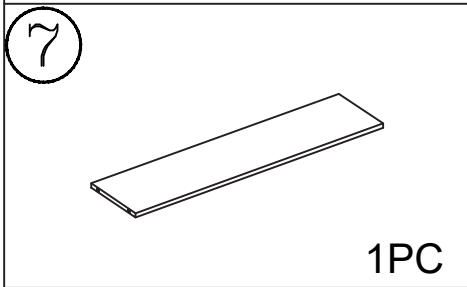
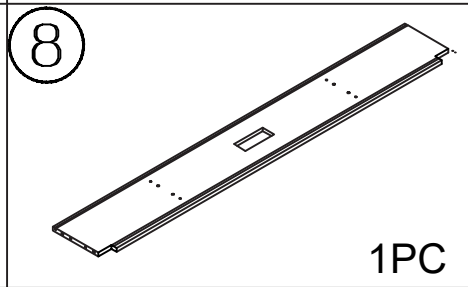
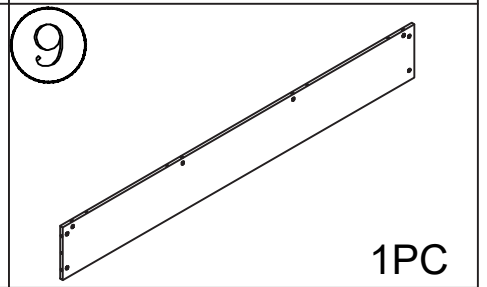
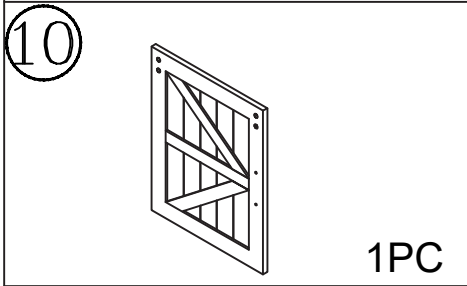
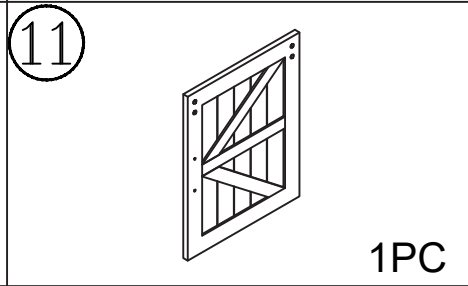
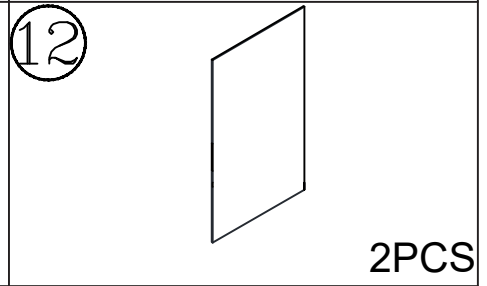
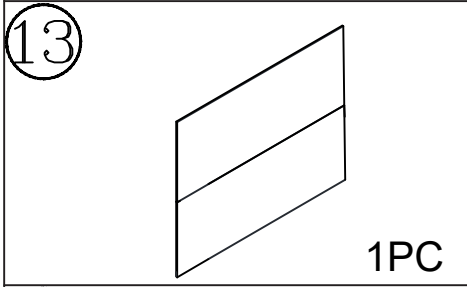
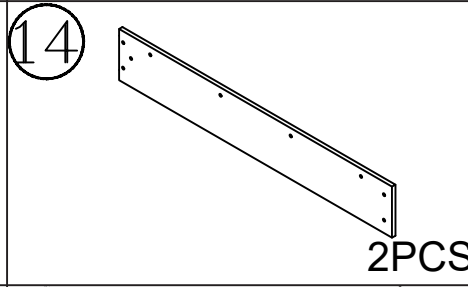
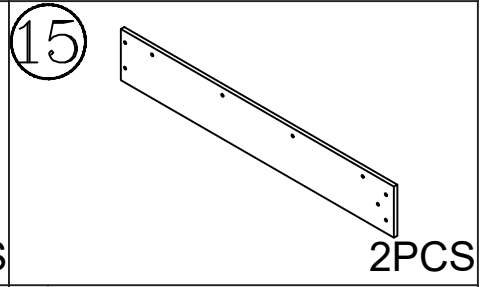
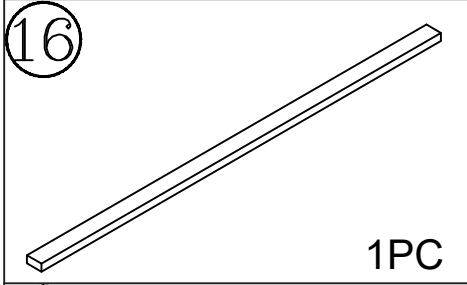
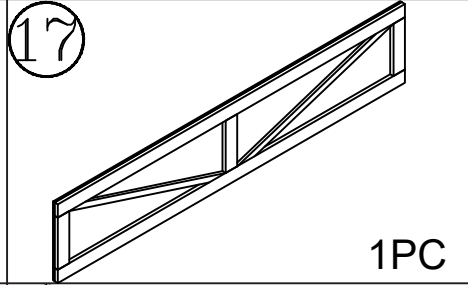
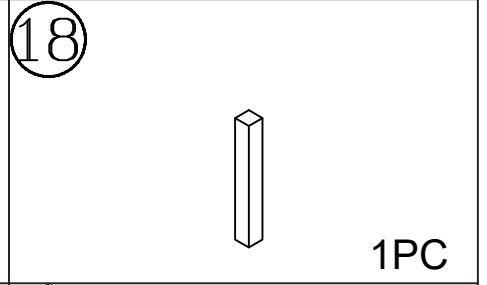
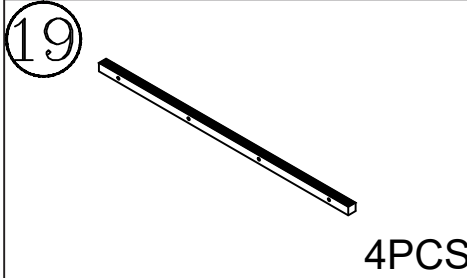
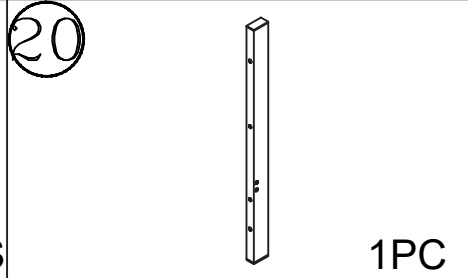
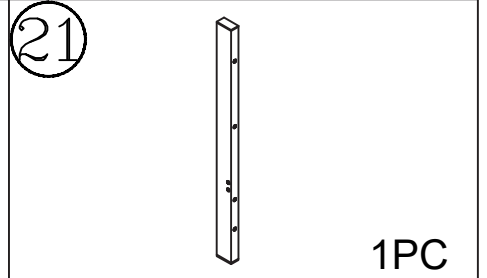
- Must use the anti tip strap or wall fixing method provided (whichever applies).
- Do not allow children to climb or hang on the furniture.
- Do not place heavy items on top of the furniture, unless the furniture has been designed for this purpose
- Installation shall be carried out exactly according to the instructions-otherwise a safety risk can occur
- In order to prevent falling down this product must be used with the wall attachment device provided

please note that only the wall attachment device is provided. You will need to supply wall plugs and screws applicable for your wall type.



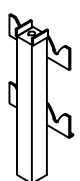
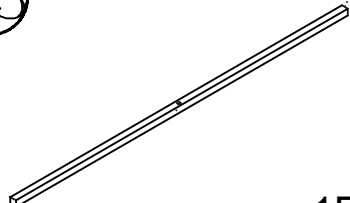
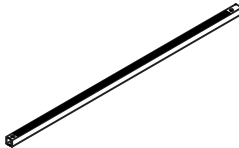
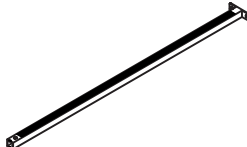
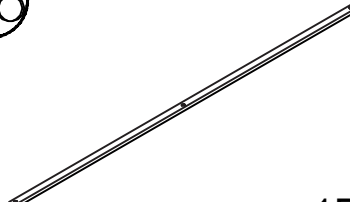

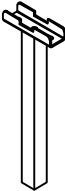
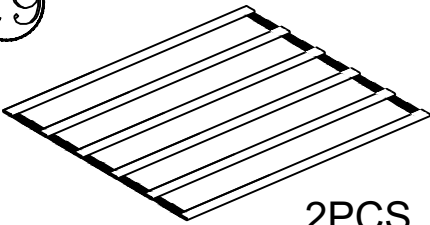
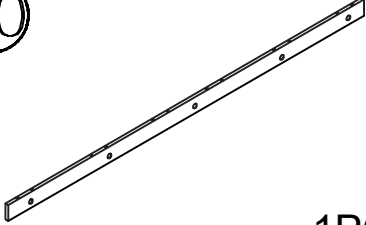
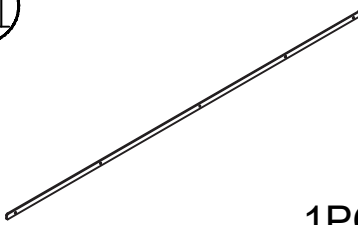
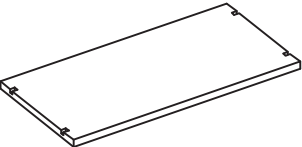



ASSEMBLY INSTRUCTIONS

PARTS LIST

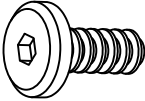
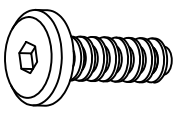
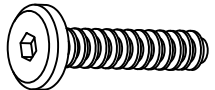
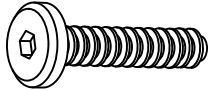
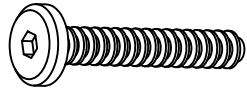
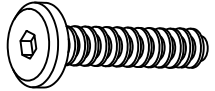
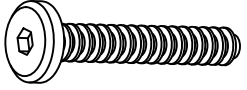

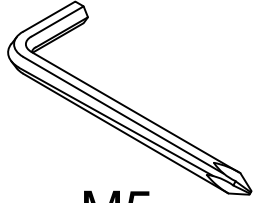
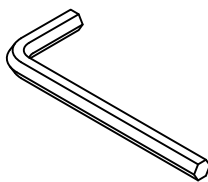

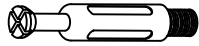
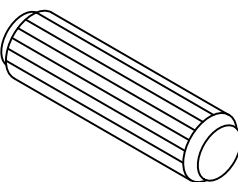
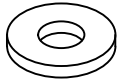
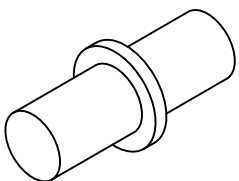
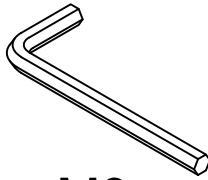
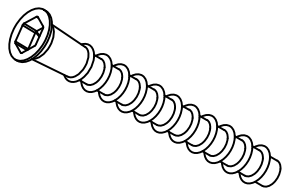
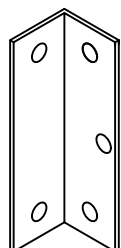
 <p>1</p> <p>1PC</p>	 <p>2</p> <p>1PC</p>	 <p>3</p> <p>1PC</p>
 <p>4</p> <p>1PC</p>	 <p>5</p> <p>1PC</p>	 <p>6</p> <p>1PC</p>
 <p>7</p> <p>1PC</p>	 <p>8</p> <p>1PC</p>	 <p>9</p> <p>1PC</p>
 <p>10</p> <p>1PC</p>	 <p>11</p> <p>1PC</p>	 <p>12</p> <p>2PCS</p>
 <p>13</p> <p>1PC</p>	 <p>14</p> <p>2PCS</p>	 <p>15</p> <p>2PCS</p>
 <p>16</p> <p>1PC</p>	 <p>17</p> <p>1PC</p>	 <p>18</p> <p>1PC</p>
 <p>19</p> <p>4PCS</p>	 <p>20</p> <p>1PC</p>	 <p>21</p> <p>1PC</p>

ASSEMBLY INSTRUCTIONS


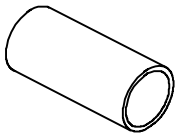
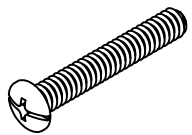
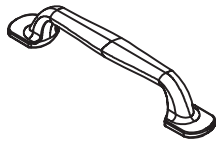

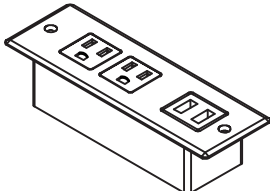
PARTS LIST

 <p>22</p> <p>2PCS</p>	 <p>23</p> <p>1PC</p>	 <p>24</p> <p>1PC</p>
 <p>25</p> <p>1PC</p>	 <p>26</p> <p>1PC</p>	 <p>27</p> <p>1PC</p>
 <p>28</p> <p>1PC</p>	 <p>29</p> <p>2PCS</p>	 <p>30</p> <p>1PC</p>
 <p>31</p> <p>1PC</p>	 <p>32</p> <p>2PCS</p>	 <p>33</p> <p>1PC</p>
 <p>34</p> <p>1PC</p>	 <p>35</p> <p>1PC</p>	

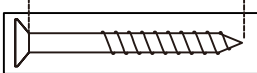
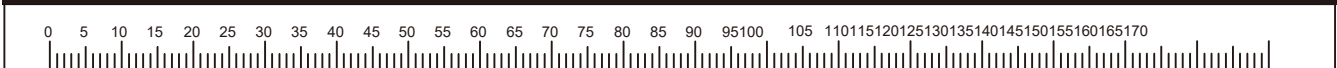
ASSEMBLY INSTRUCTIONS

<p>A</p>  <p>M6*11mm 34PCS</p>	<p>B</p>  <p>M6*25mm 5PCS</p>	<p>C</p>  <p>M6*30mm 6PCS</p>
<p>D</p>  <p>M6*35mm 16PCS</p>	<p>E</p>  <p>M6*50mm 6PCS</p>	<p>F</p>  <p>M8*35mm 9PCS</p>
<p>G</p>  <p>M8*60mm 4PCS</p>	<p>H</p>  <p>M4*12mm 18PCS</p>	<p>I</p>  <p>M5 1PC</p>
<p>J</p>  <p>M4 1PC</p>	<p>K1</p>  <p>39PCS</p>	<p>K2</p>  <p>39PCS</p>
<p>L</p>  <p>M6*30mm 22PCS</p>	<p>M</p>  <p>$\Phi 6 * \Phi 16$mm 22PCS</p>	<p>N</p>  <p>8PCS</p>
<p>O</p>  <p>M3 1PC</p>	<p>P</p>  <p>8PCS</p>	<p>Q</p>  <p>4PCS</p>

ASSEMBLY INSTRUCTIONS

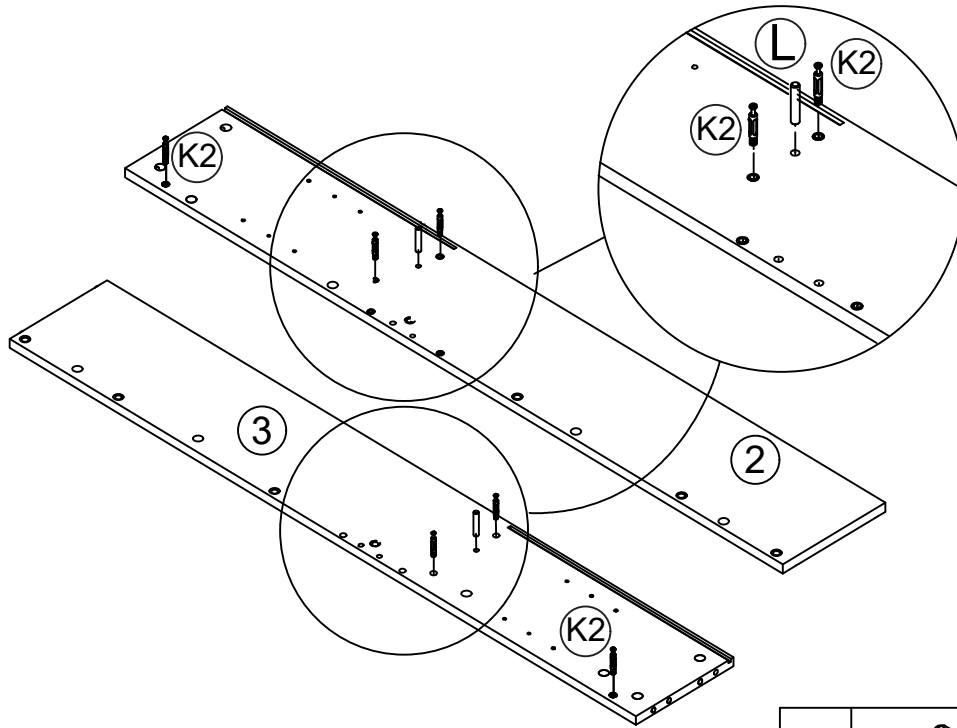
<p>R</p>  <p>4PCS</p>	<p>S</p>  <p>5PCS</p>	<p>T</p>  <p>M4*16mm</p> <p>4PCS</p>
<p>U</p>  <p>2PCS</p>	<p>V</p>  <p>4PCS</p>	<p>W</p>  <p>1PC</p>

Ruler-Use this ruler to help correctly identify the screws.



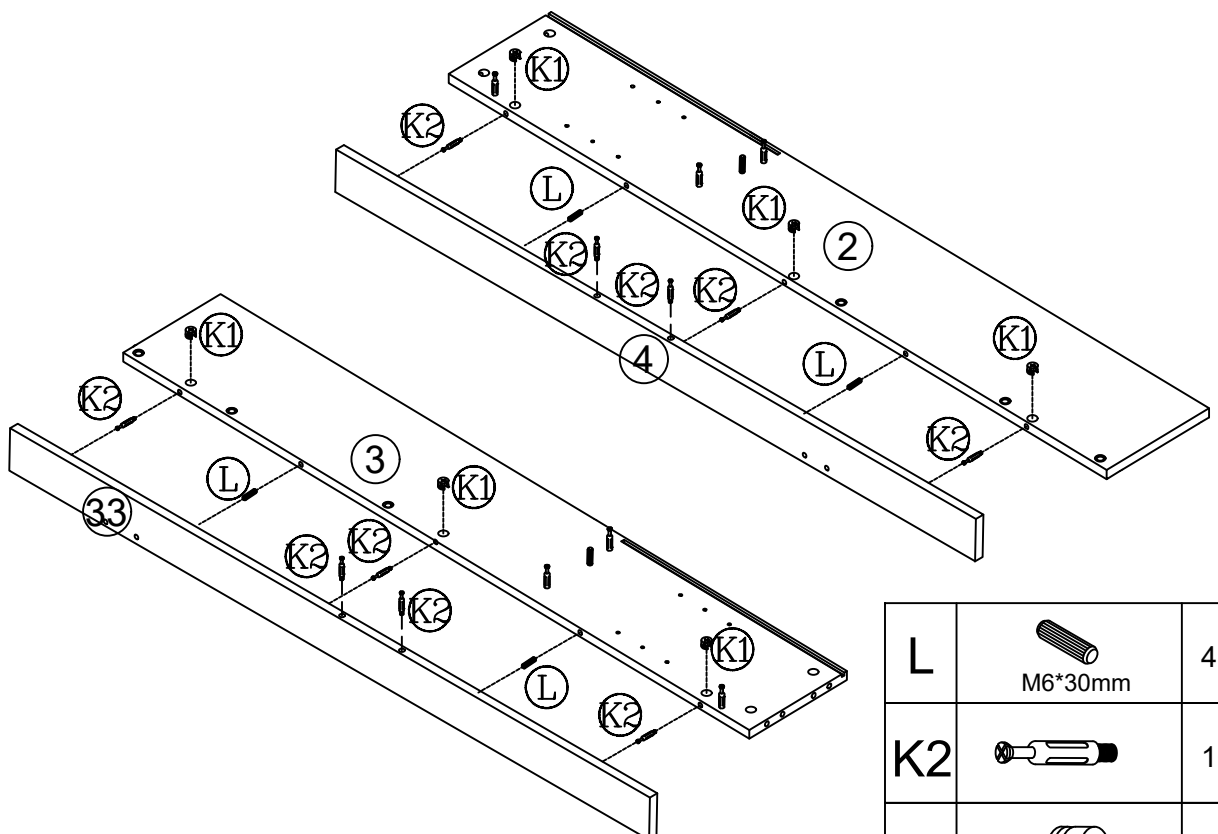
The length of the screw is measured from the rod part excluding the screw cap (30mm screw shown).

01



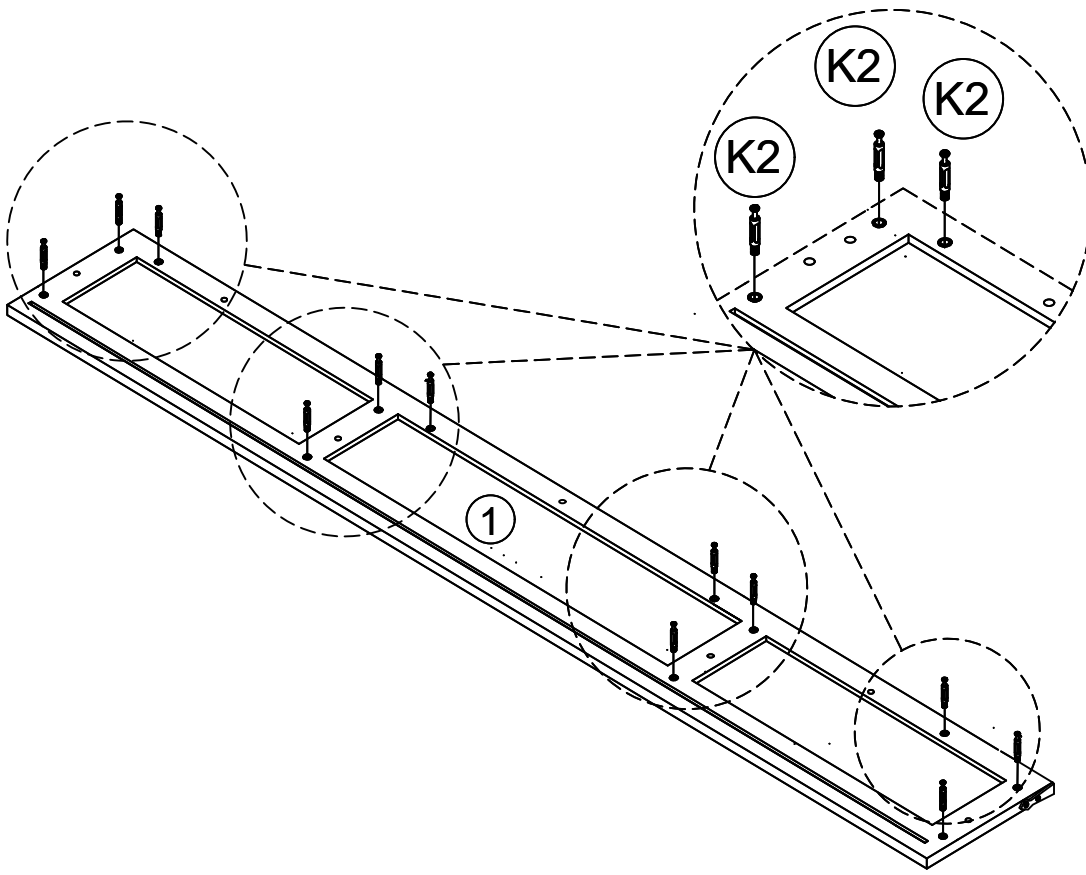
L	M6*30mm	2PCS
K2		6PCS


02



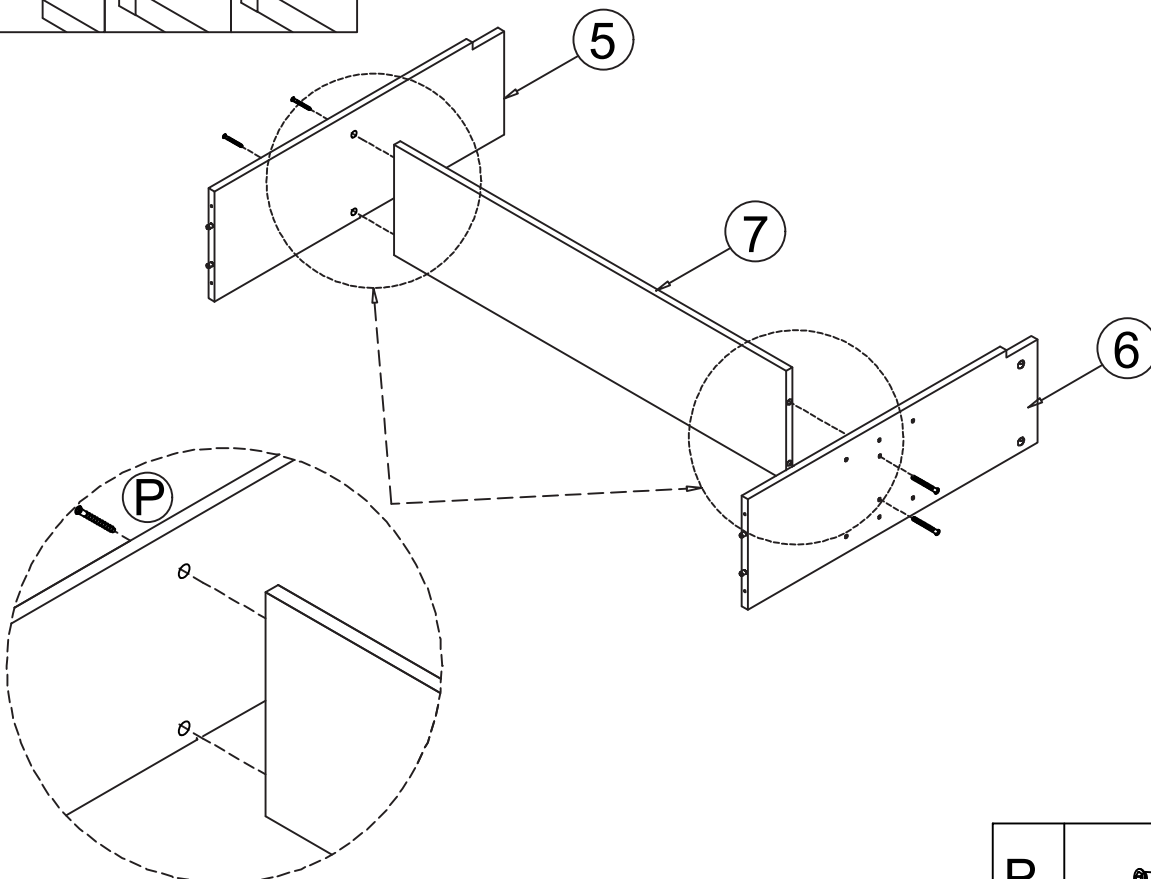
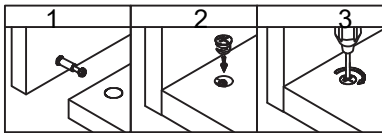
L	M6*30mm	4PCS
K2		10PCS
K1		6PCS


03



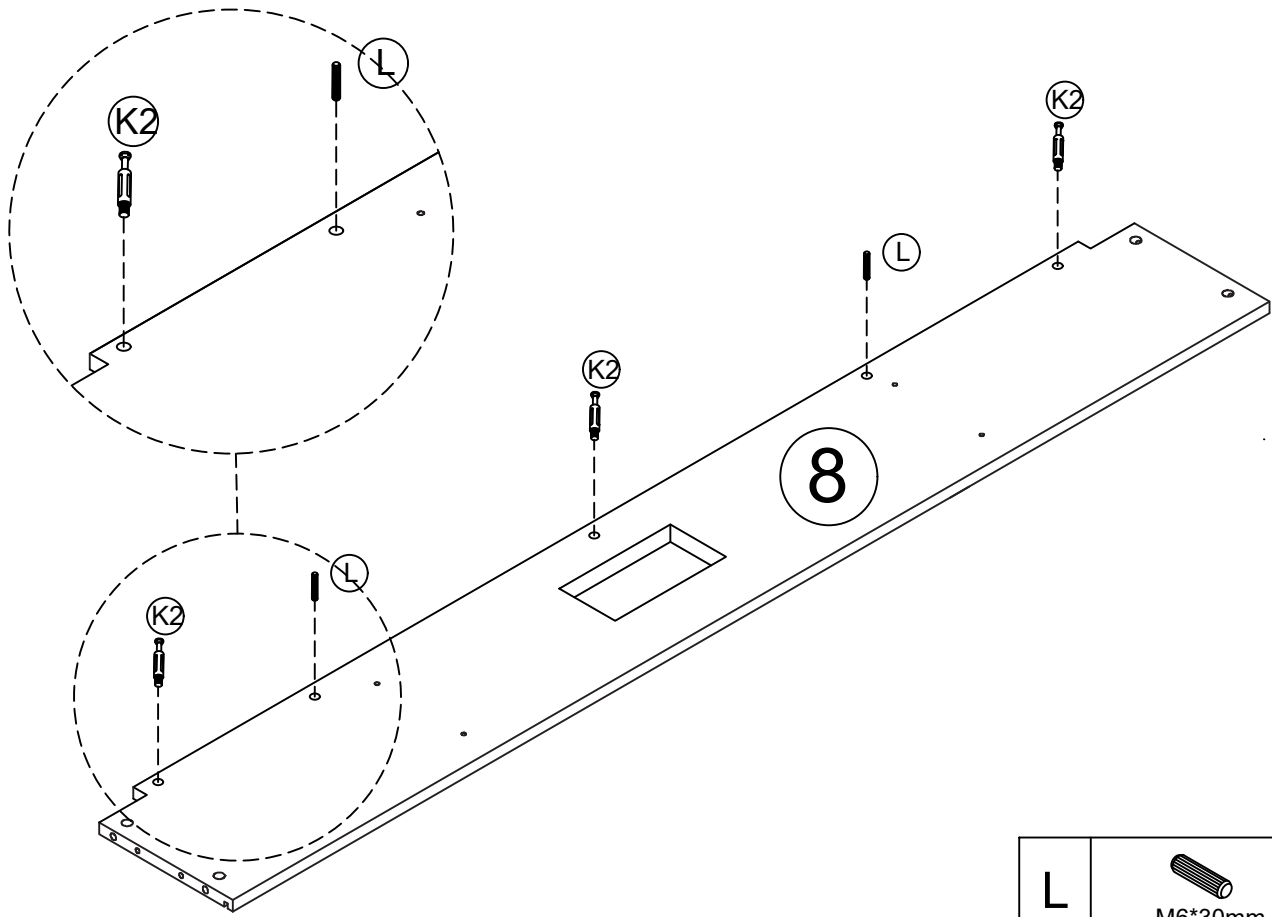
K2		12PCS
----	---	-------


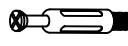
04



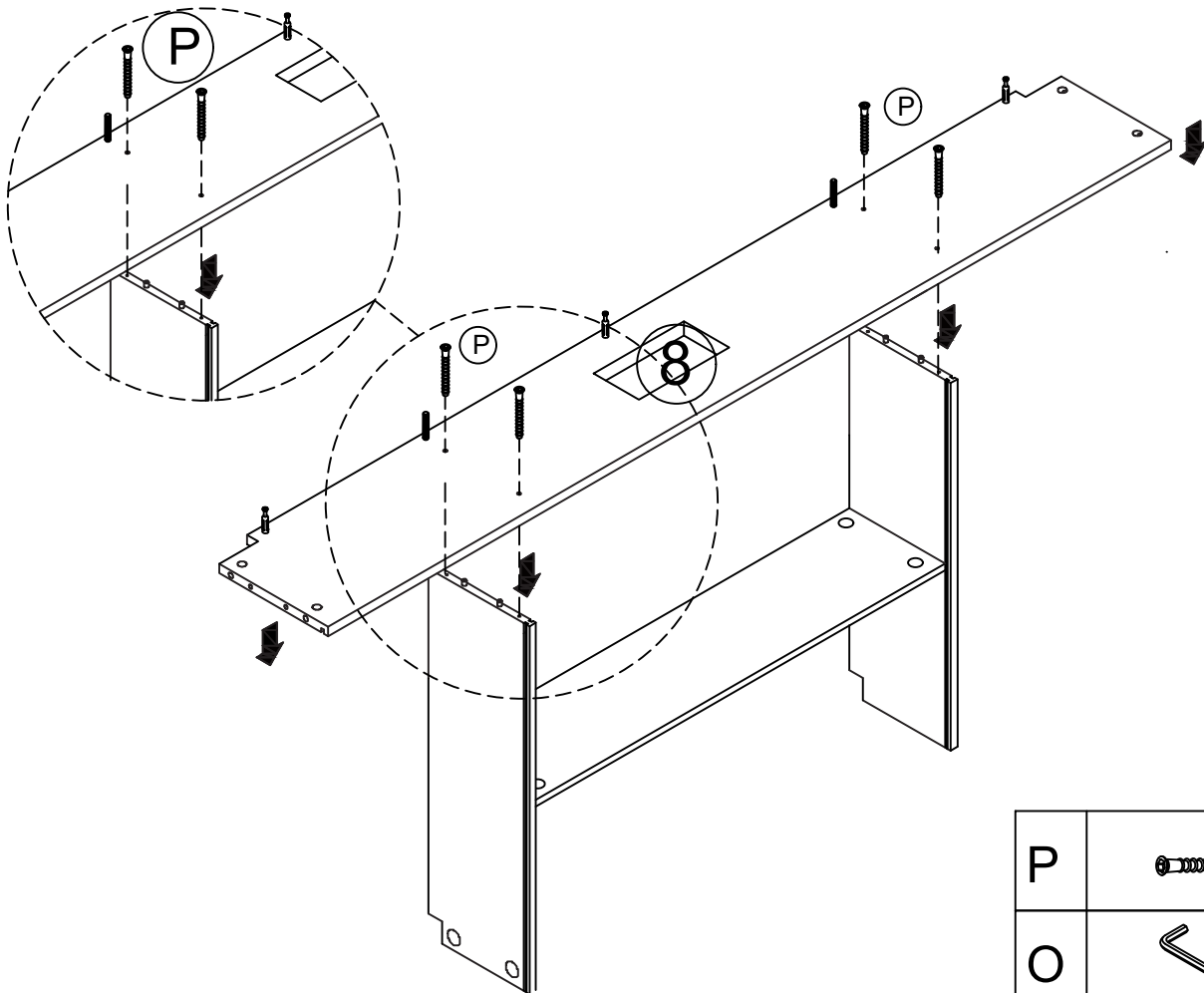
P		4PCS
---	---	------

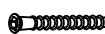

05

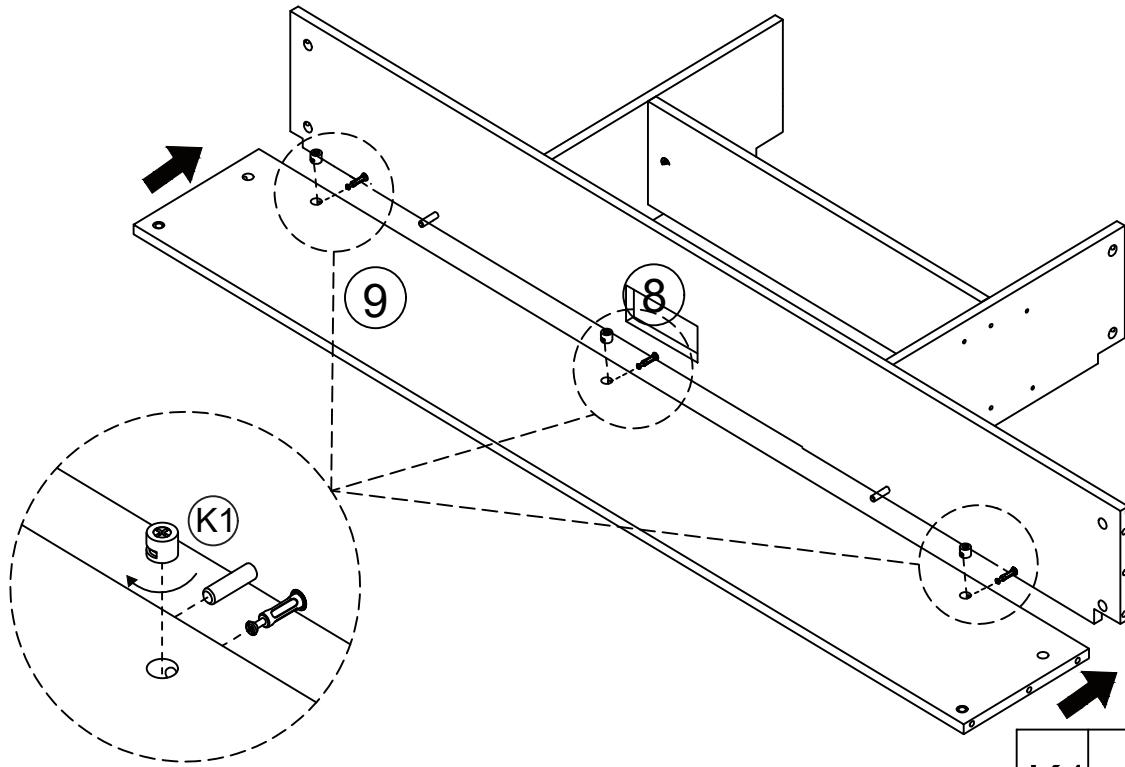
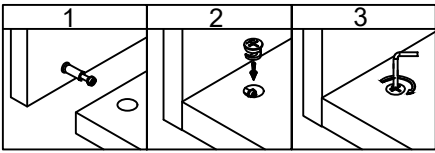


L	 M6*30mm	2PCS
K2		3PCS

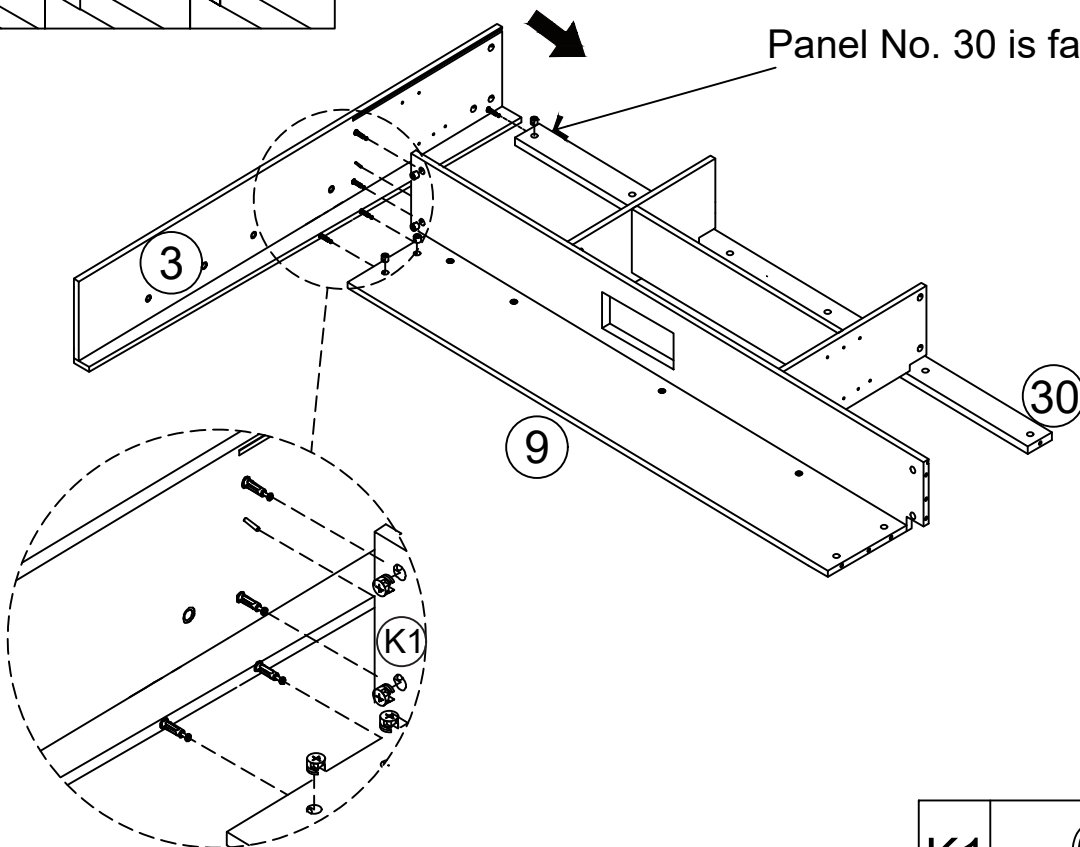
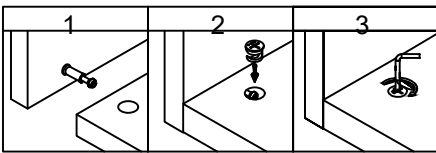
06



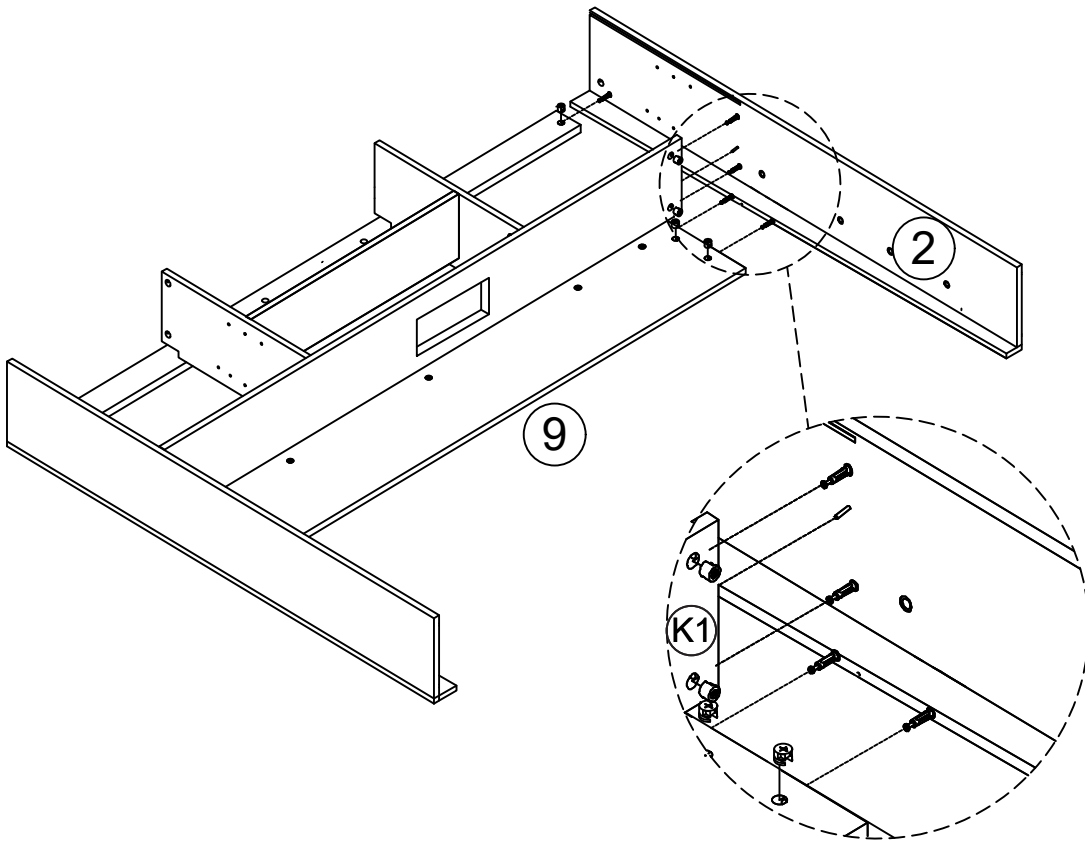
P		4PCS
O		1PC




K1		3PCS
----	--	------

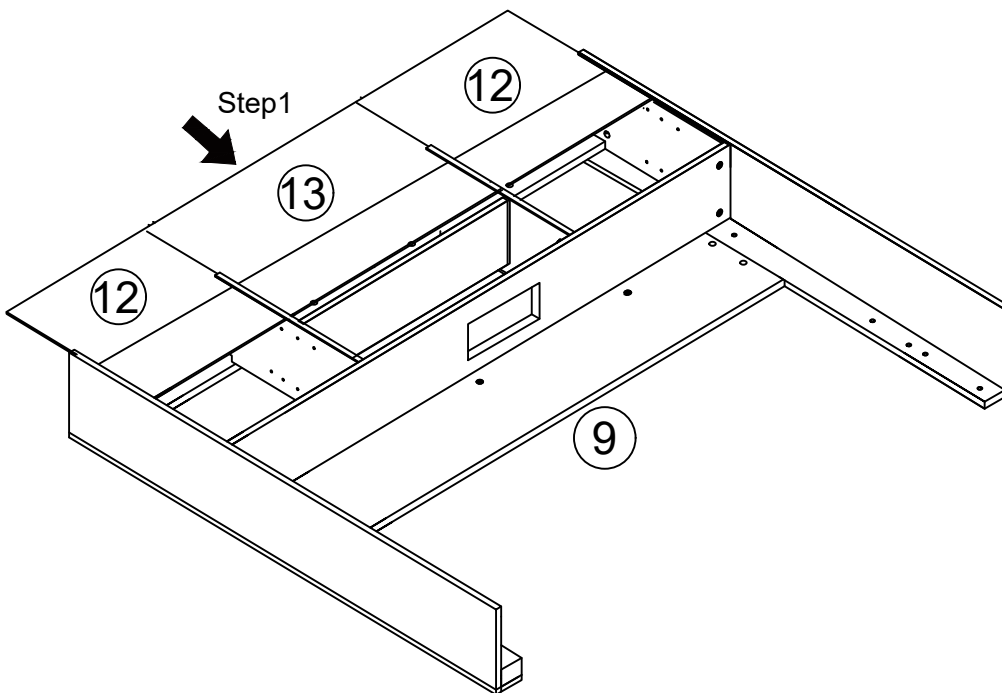


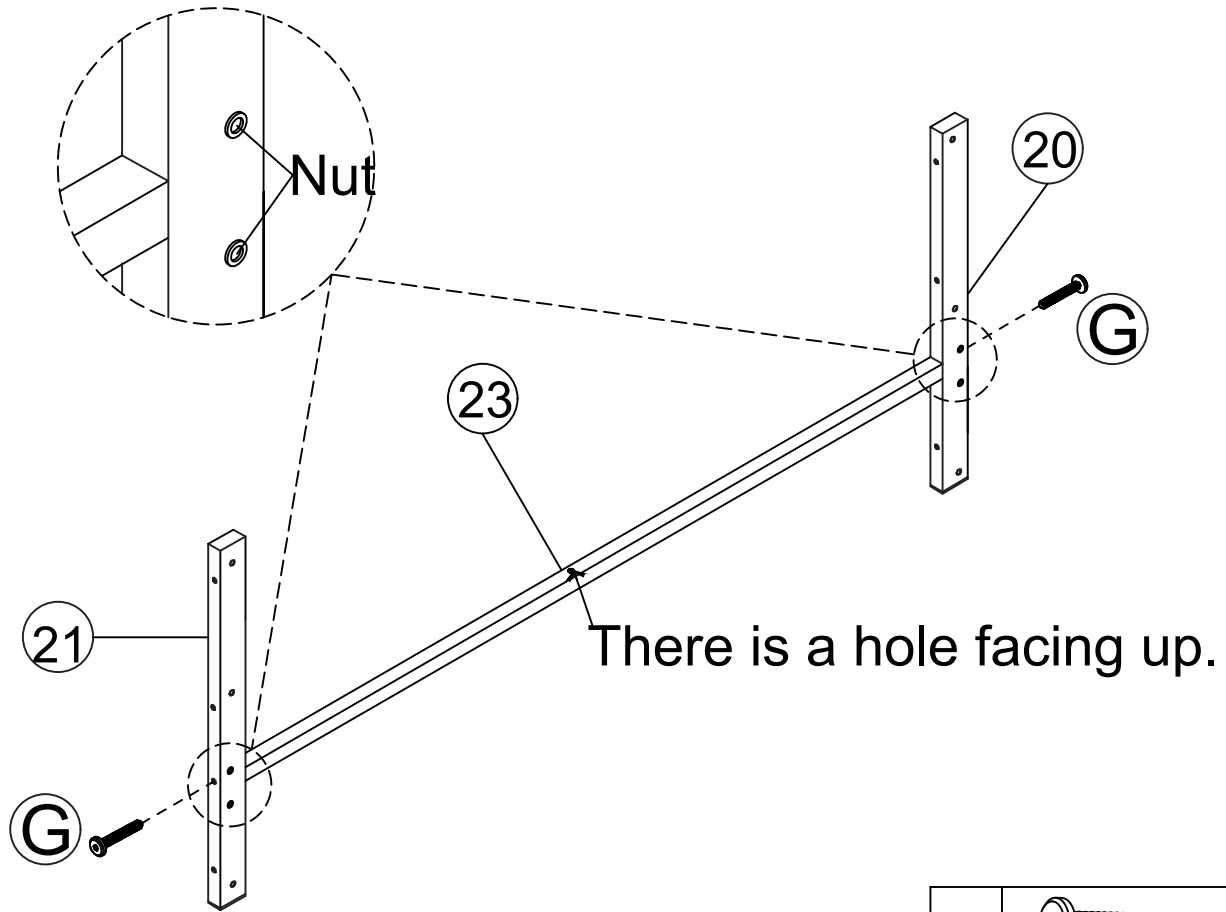
K1		5PCS
----	--	------




K1		5PCS
----	---	------

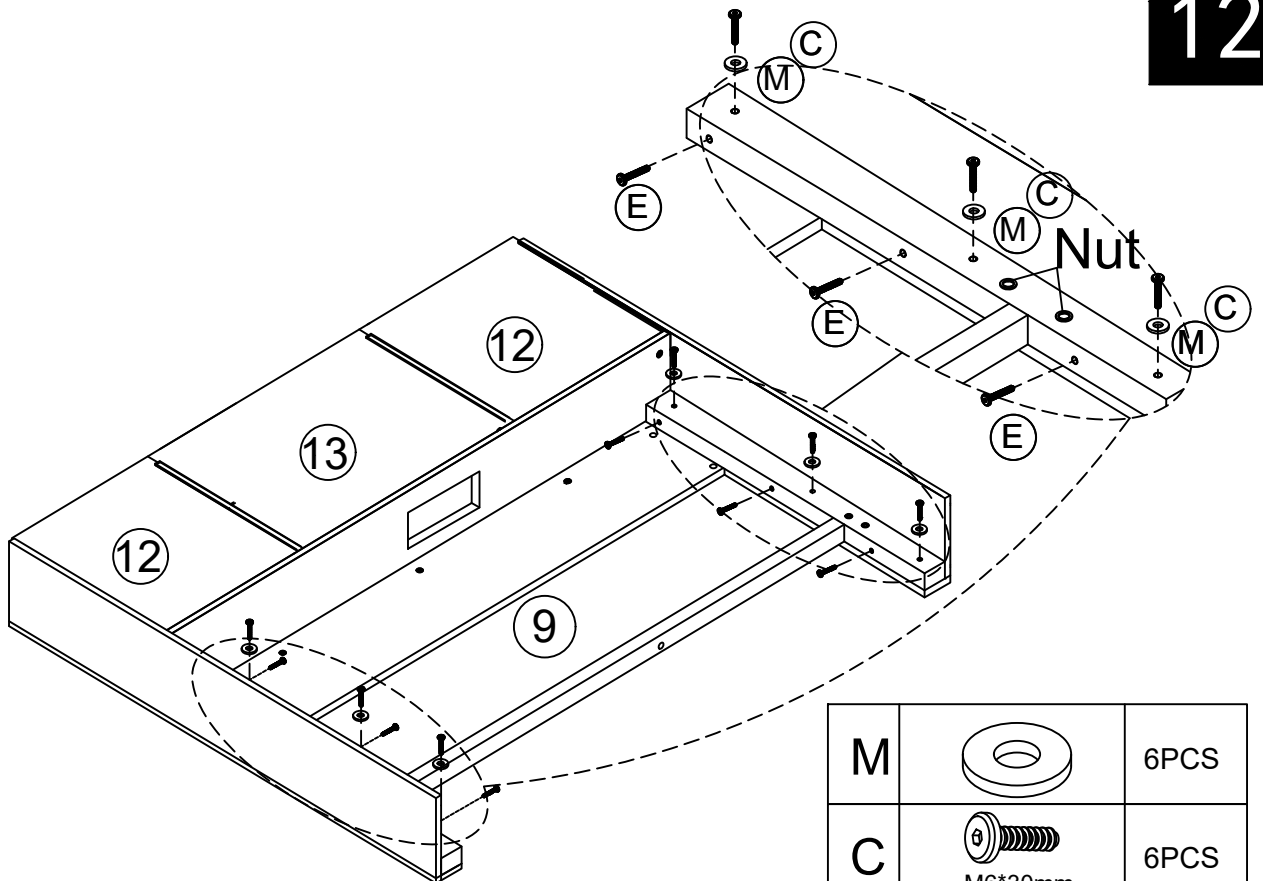
Step 1: Install the 13th panel first, then the 12th panel.

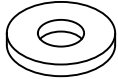




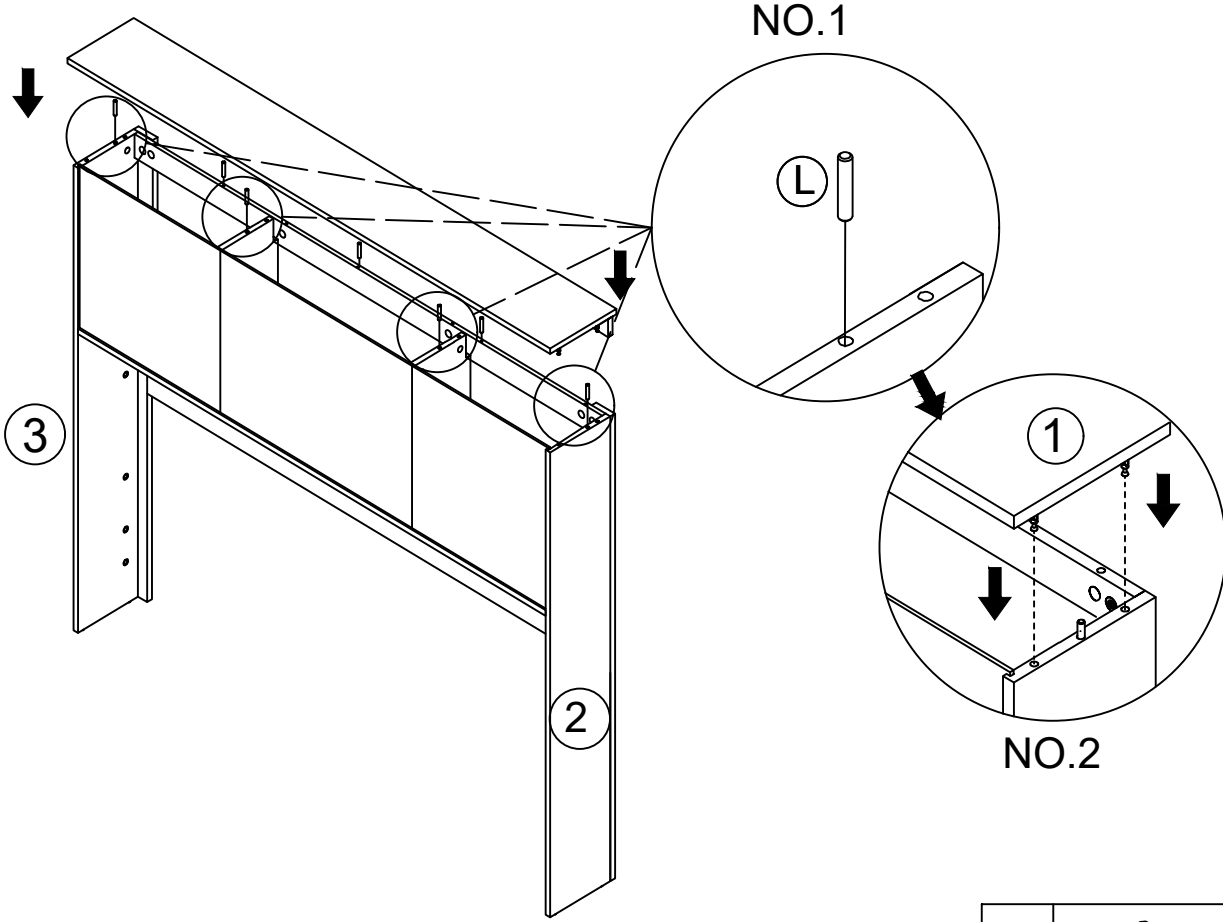



The hole positions and nut orientation on parts 20 and 21 must be consistent with the picture.

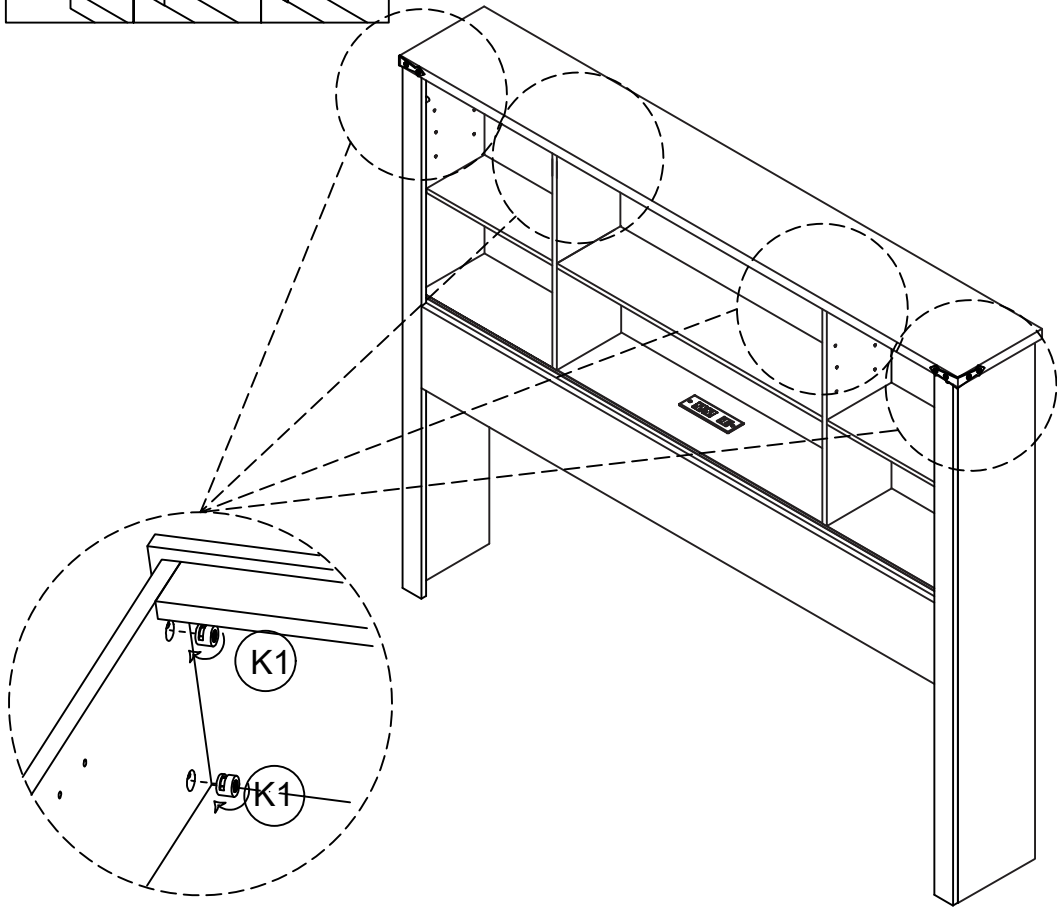
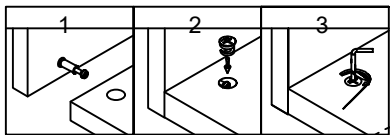
G	 M8*60mm	2PCS
---	--	------




M	 6PCS	6PCS
C	 M6*30mm	6PCS
E	 M6*50mm	6PCS

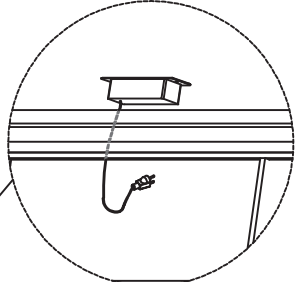
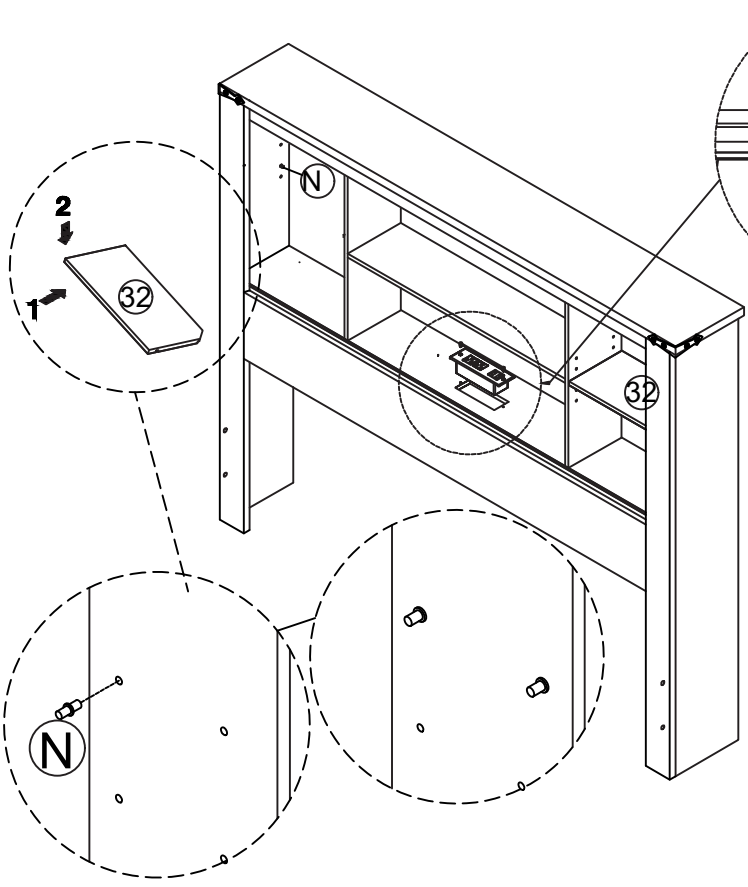


L	 M6*30mm	7PCS
---	--	------

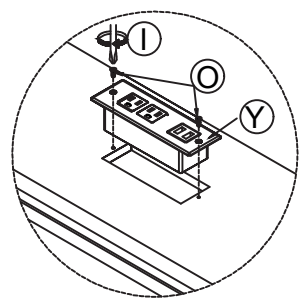


K1		12PCS
----	---	-------

The power plug passes through the backplane hole






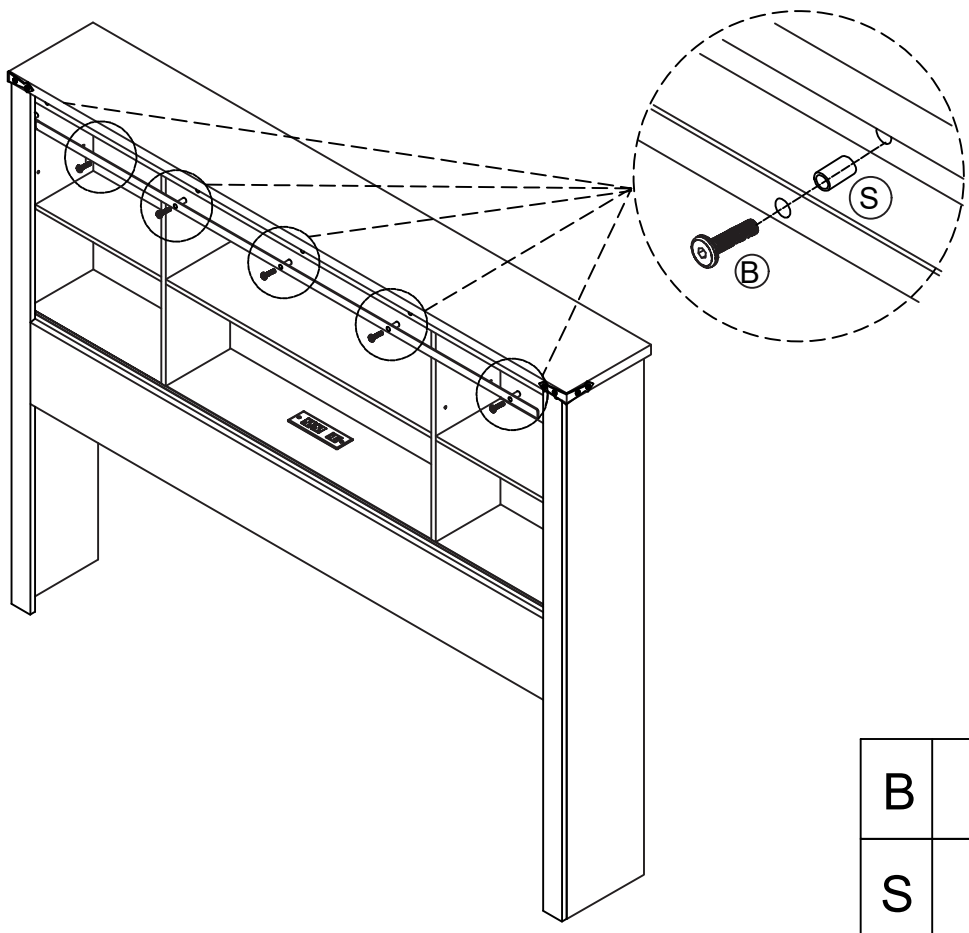
Step 1





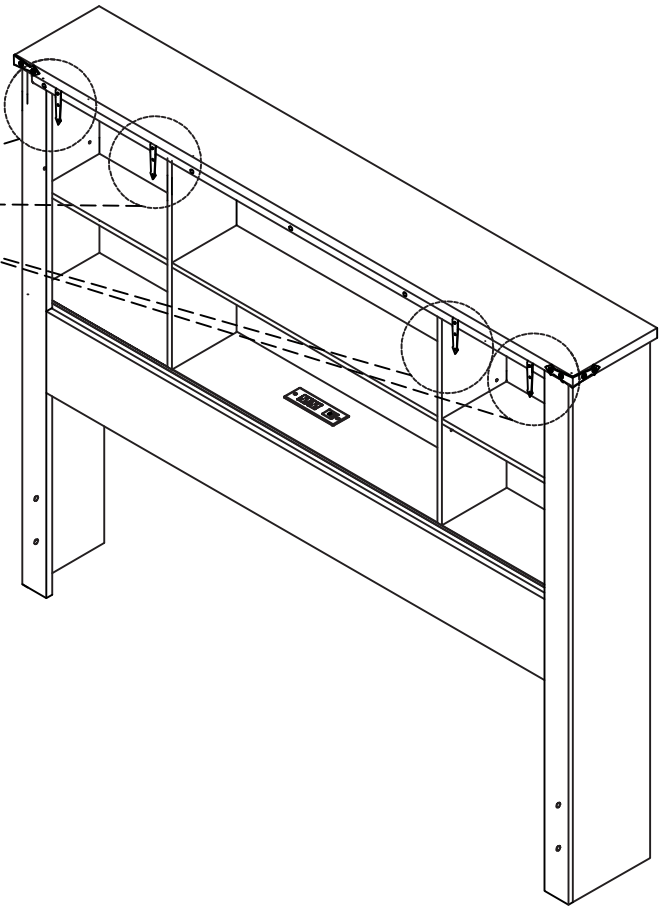
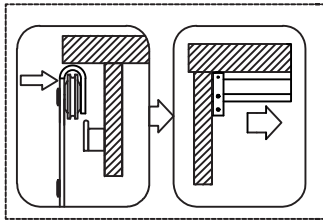
Step 2


⚠ Beware of tipping.

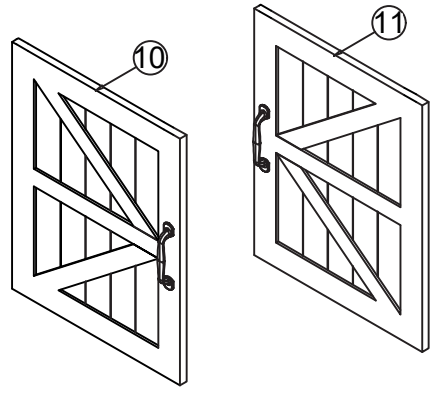
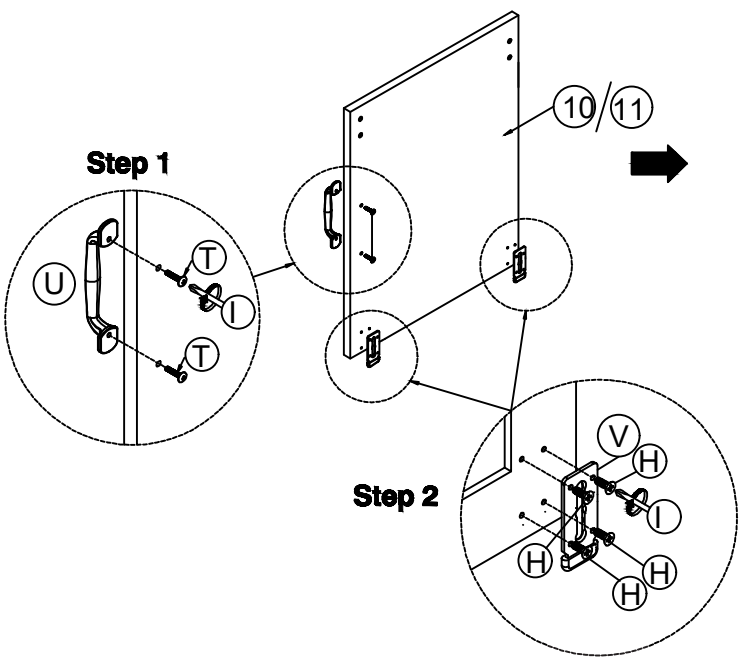
N		8PCS
H	 M4*12mm	2PCS
W		1PC







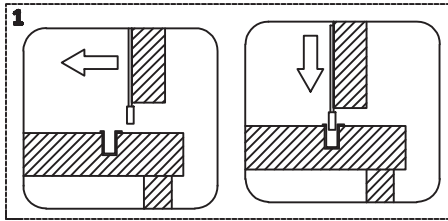
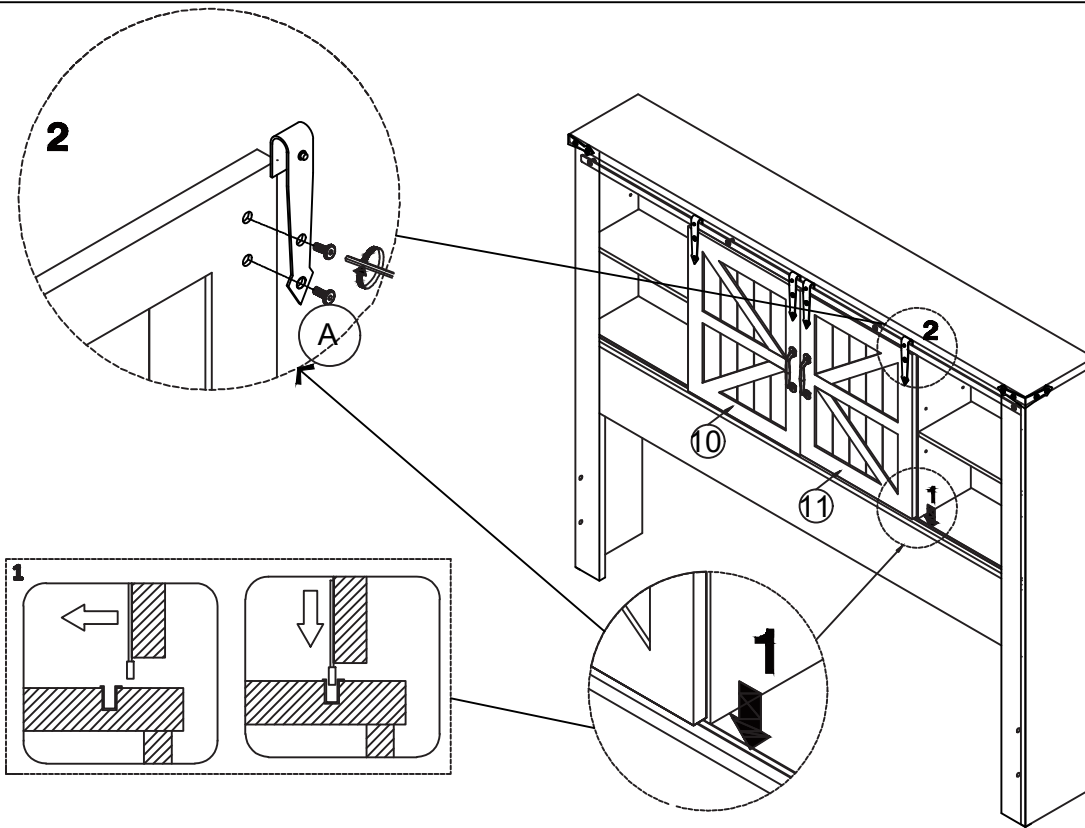
B	 M6*25mm	5PCS
S		5PCS




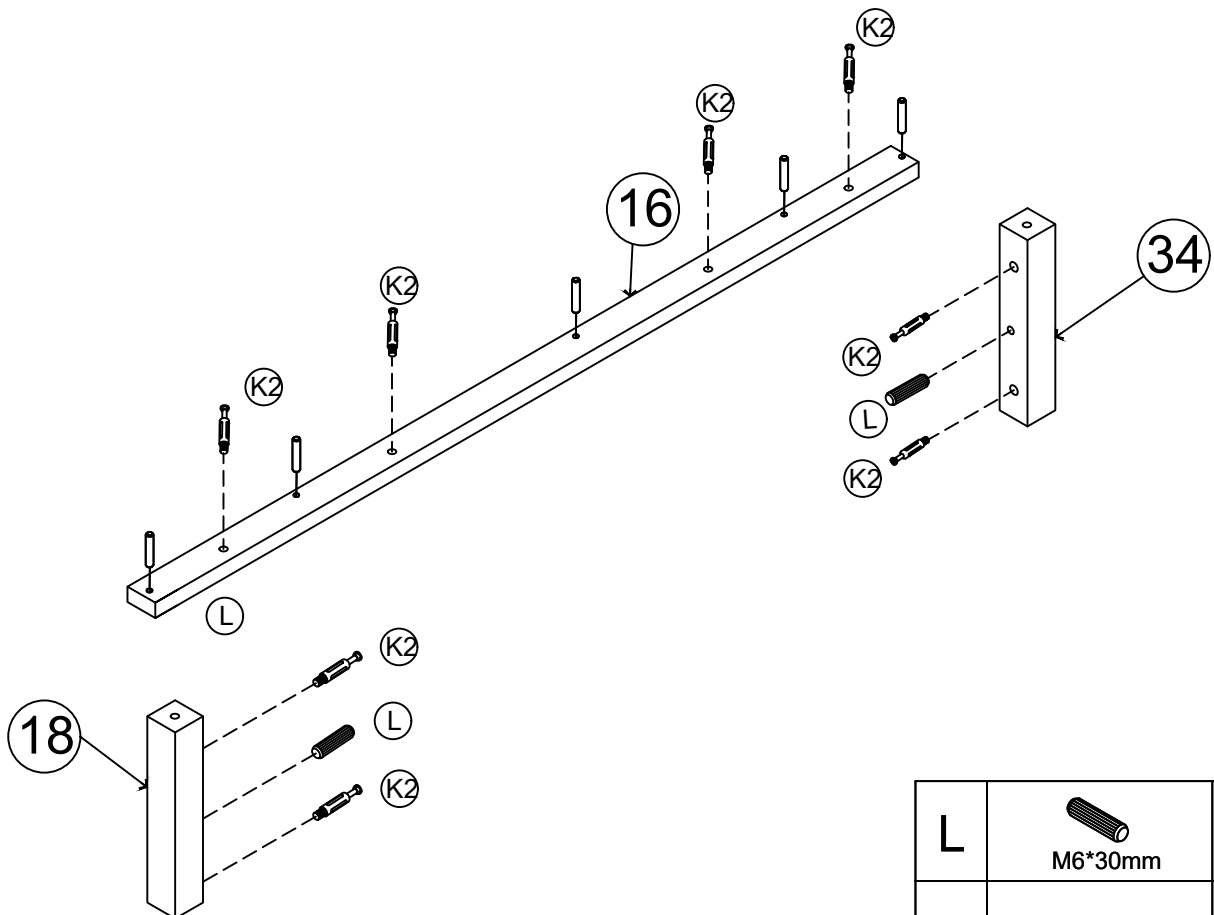
R		4PCS
---	---	------


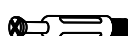


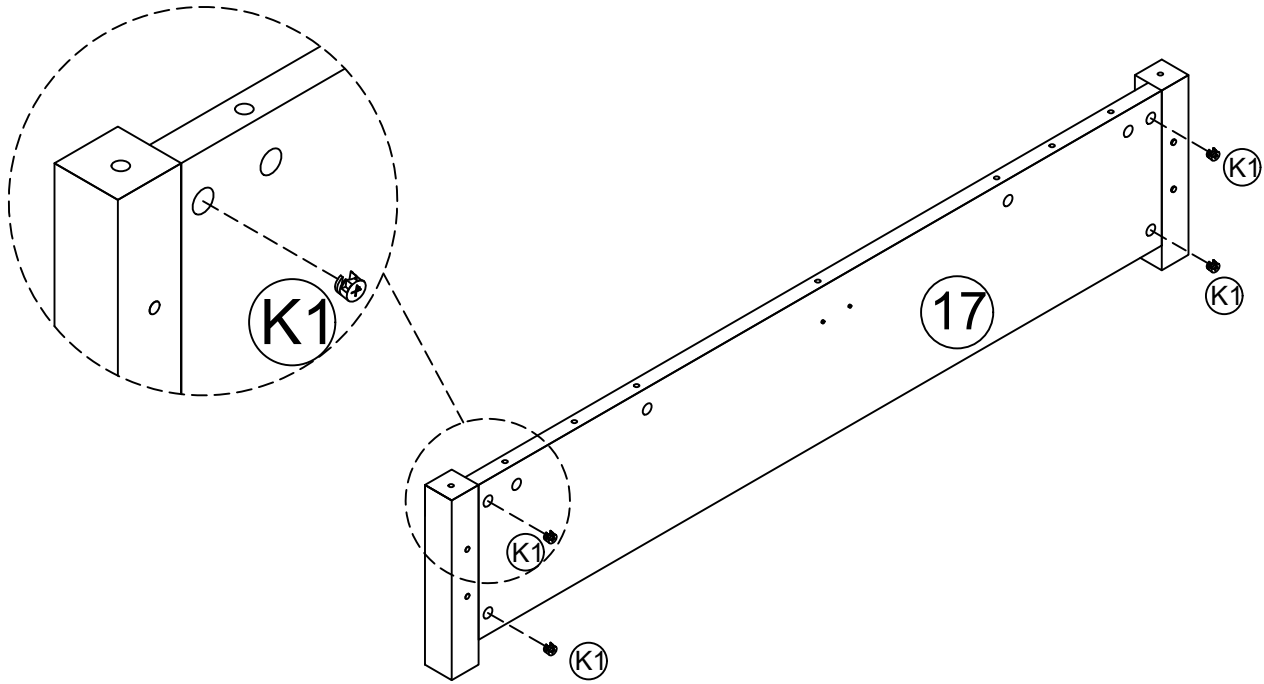
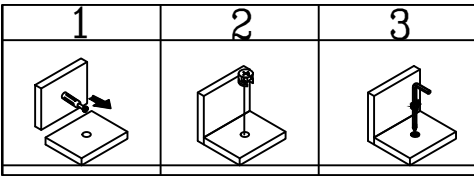
U		2PCS
T		4PCS
H	 M4*12mm	16PCS
V		4PCS



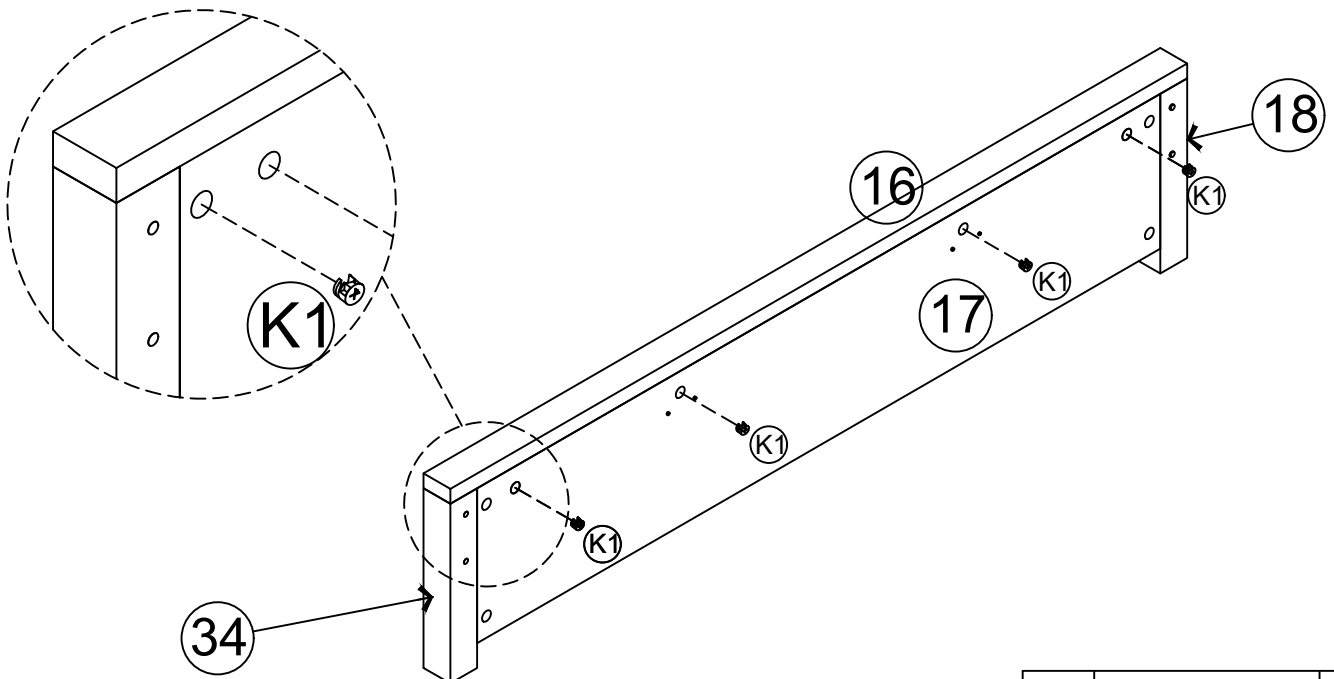
A	 M6*11mm	8PCS
---	--	------



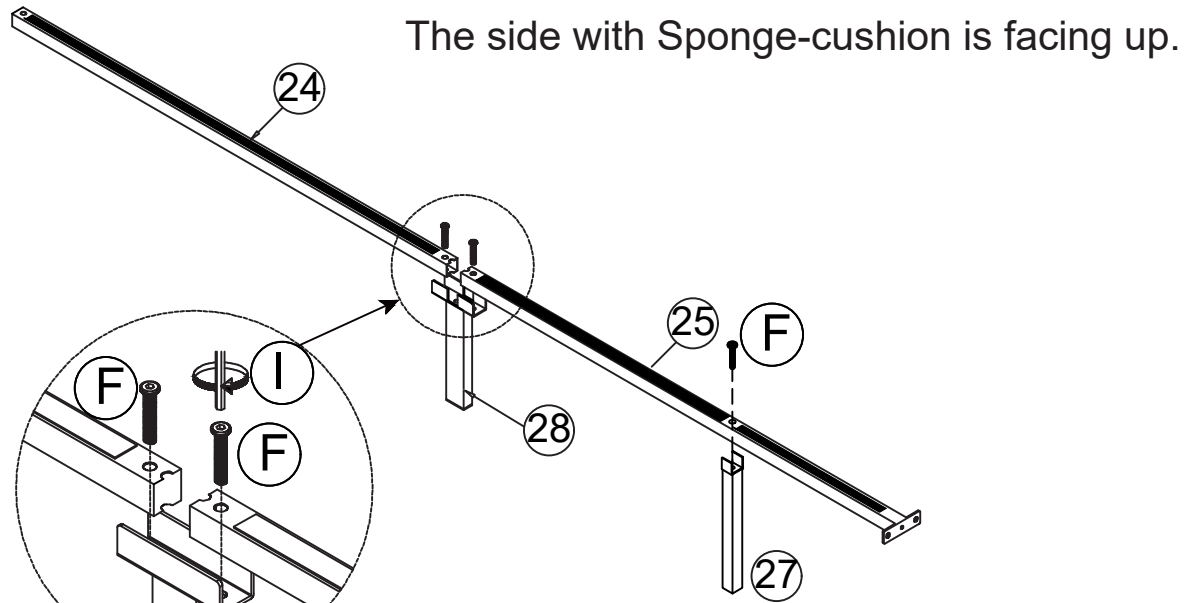
L	 M6*30mm	7PCS
K2		8PCS



K1		4PCS
----	--	------




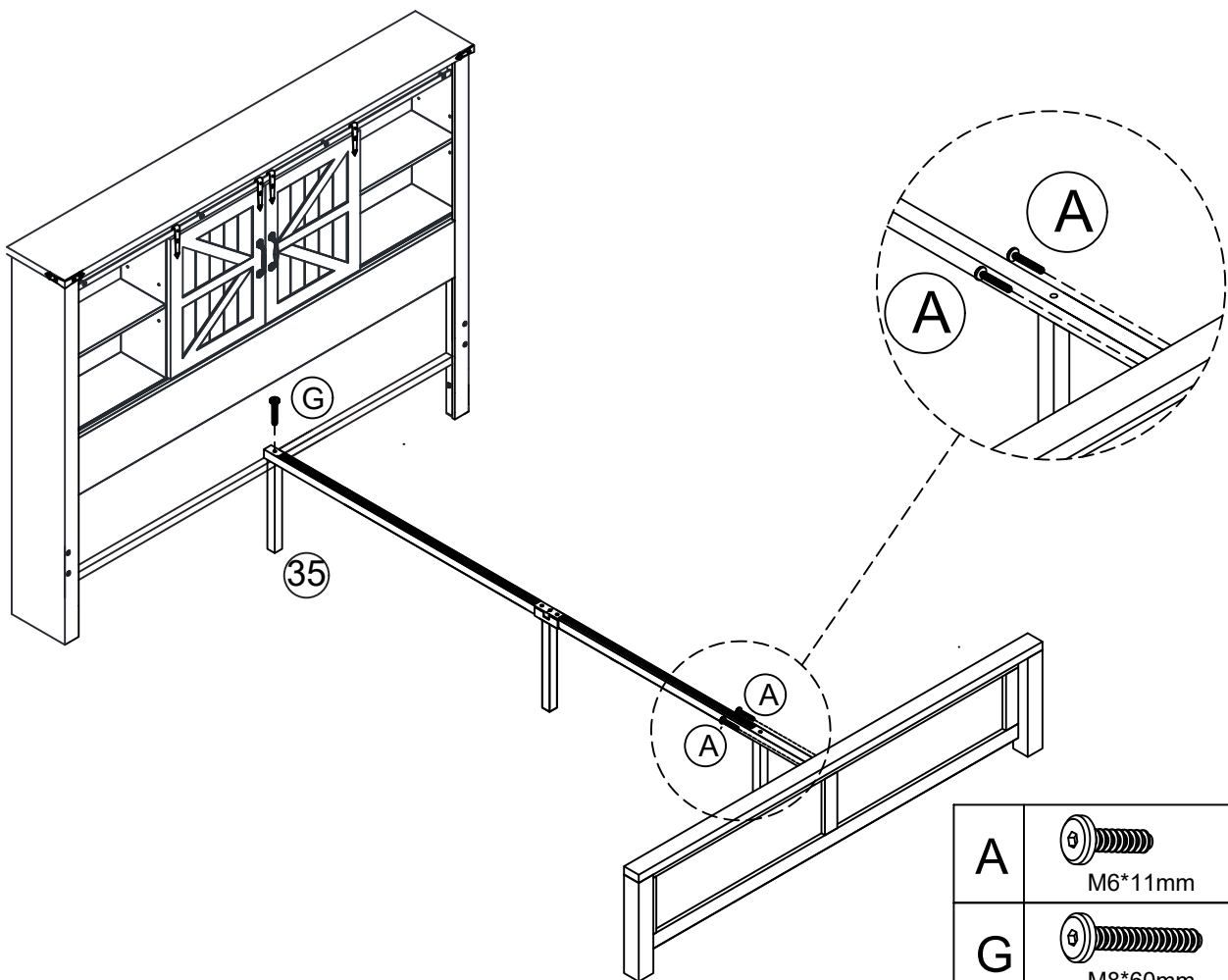
K1		4PCS
----	--	------





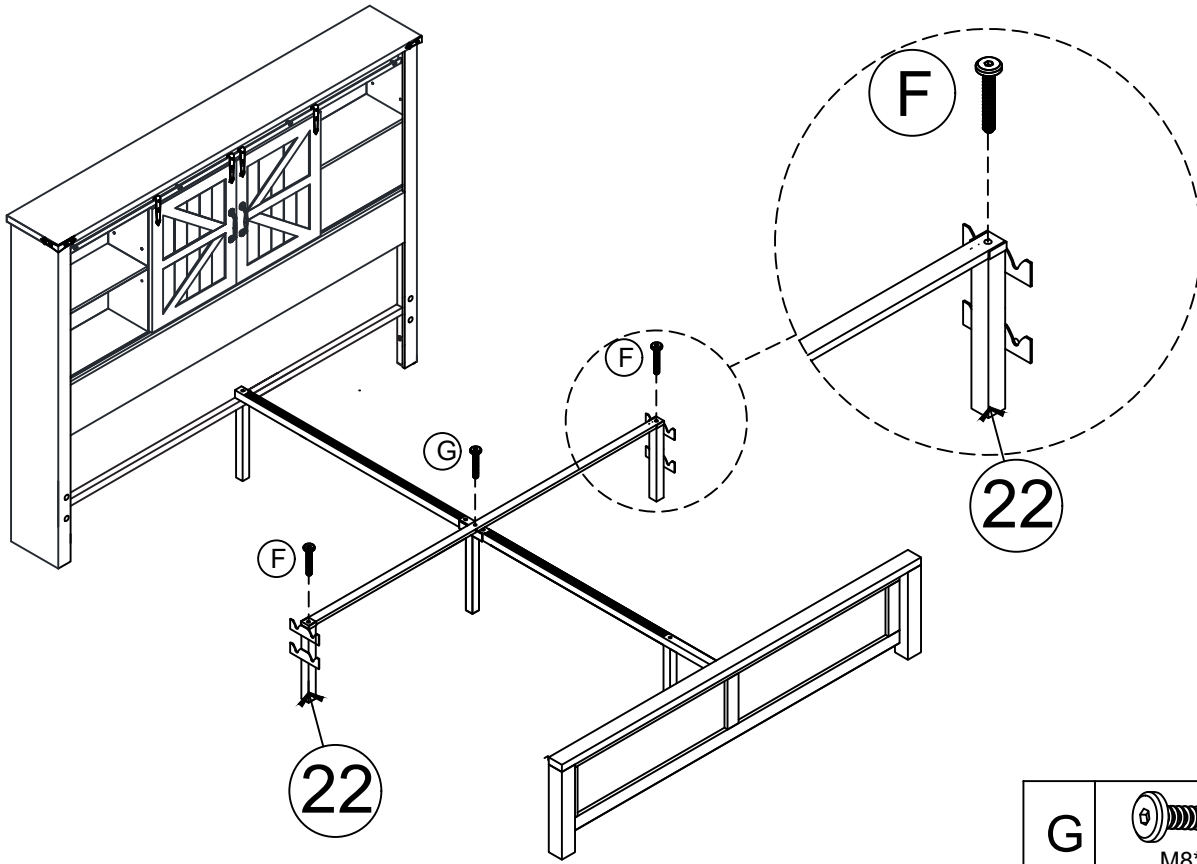
The side with Sponge-cushion is facing up.


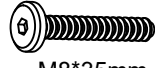
Pay attention to

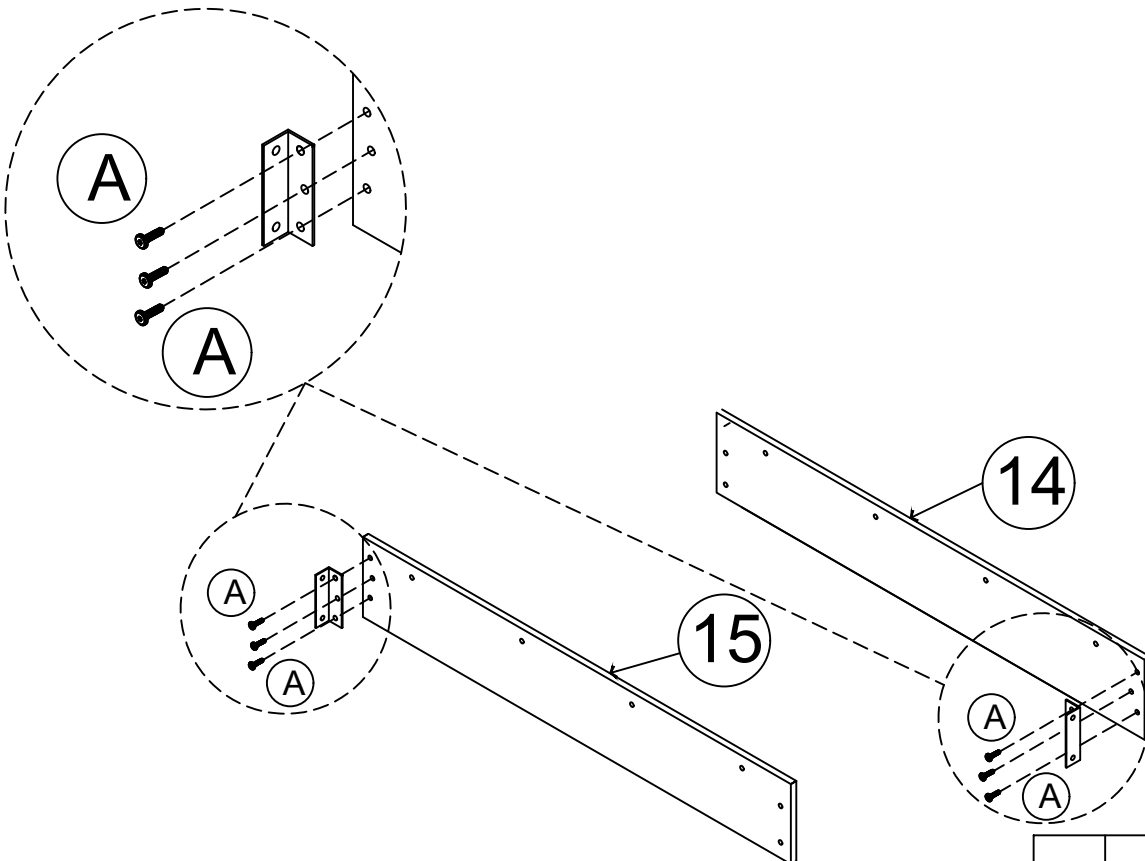
F	 M8*35mm	3PCS
---	--	------





A	 M6*11mm	2PCS
G	 M8*60mm	1PC

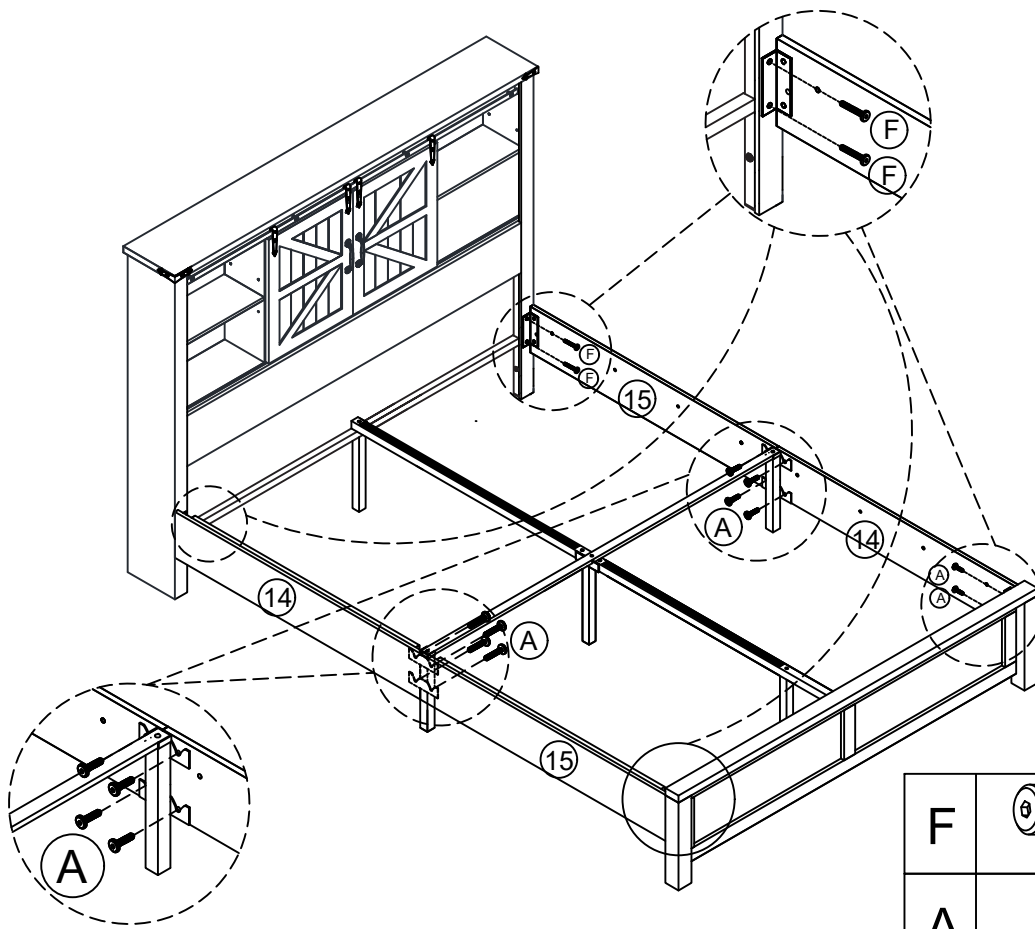




G	 M8*60mm	1PC
F	 M8*35mm	2PCS

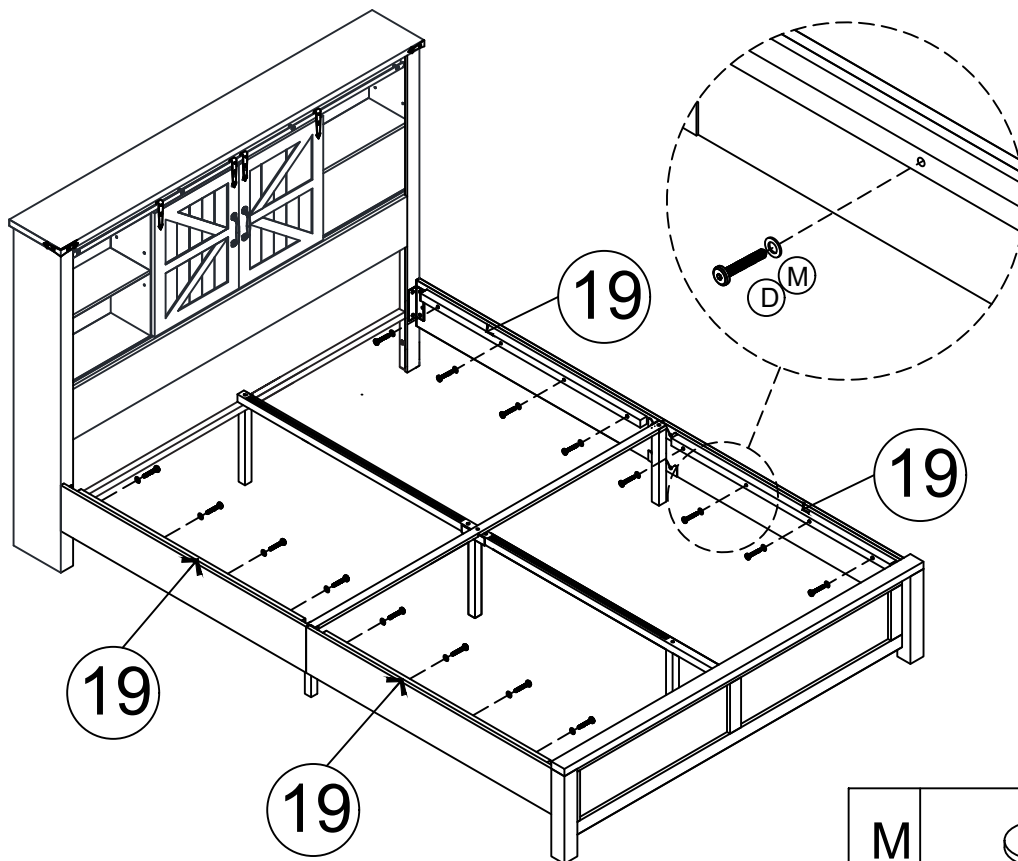




X2

A	 M6*11mm	12PCS
Q		4PCS

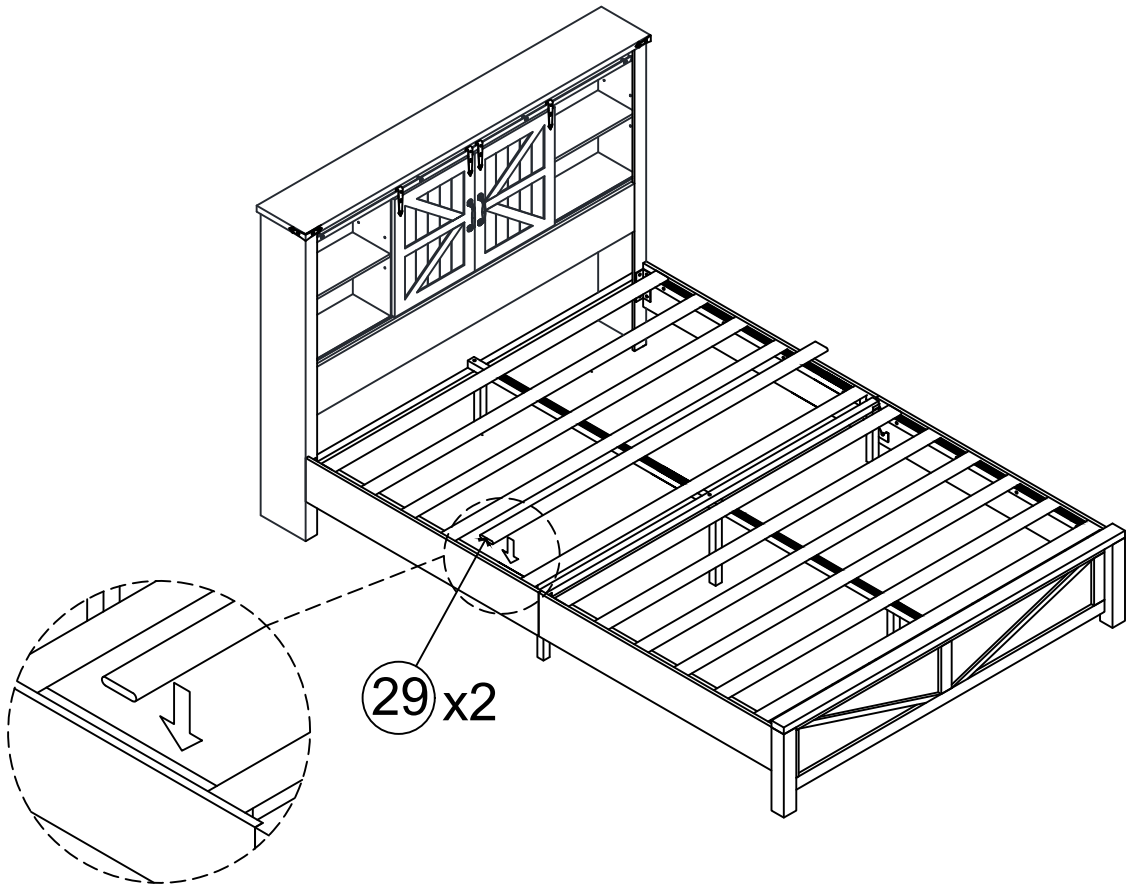


F	 M8*35mm	4PCS
A	 M6*11mm	16PCS

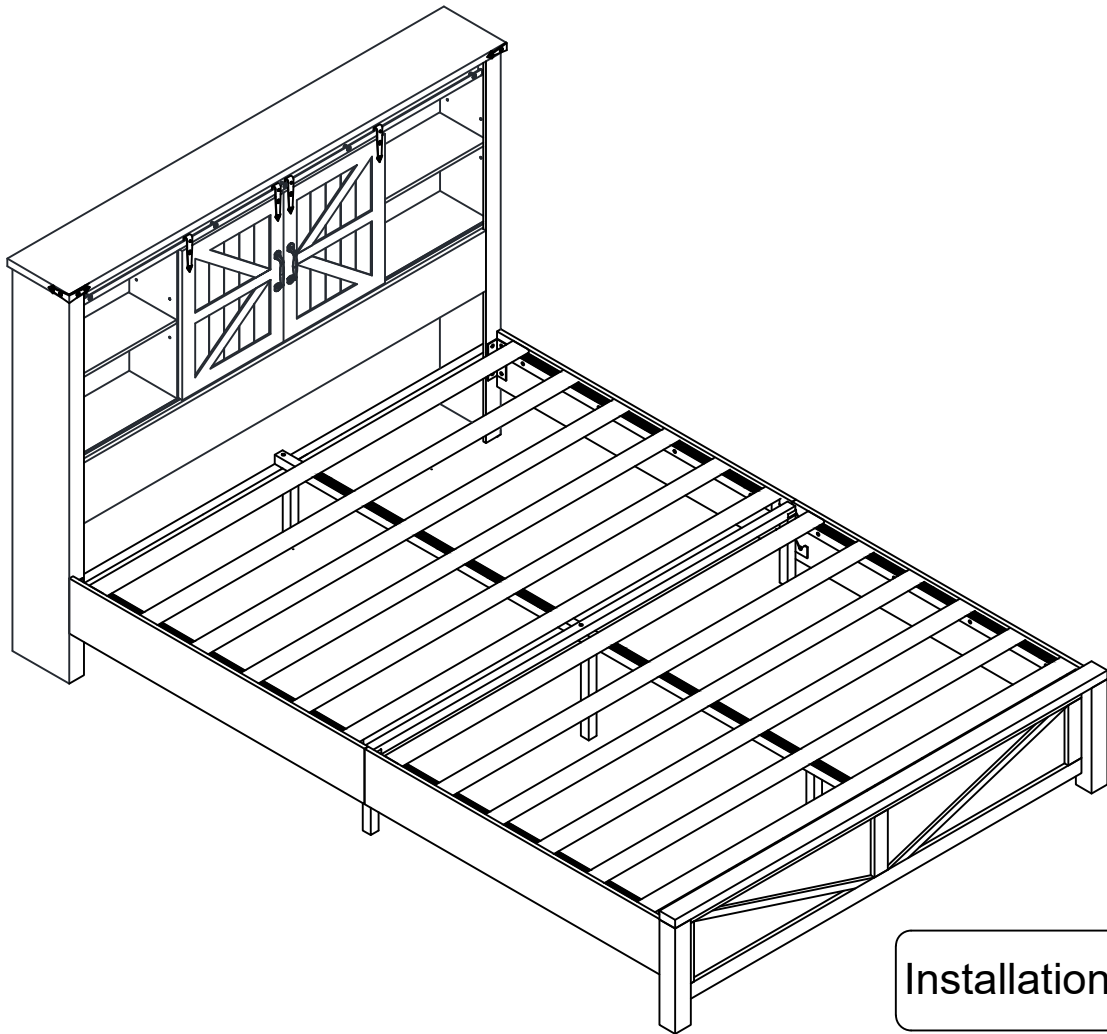


M		16PCS
D	 M6*35mm	16PCS

29



30



Installation Complete