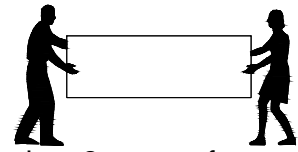
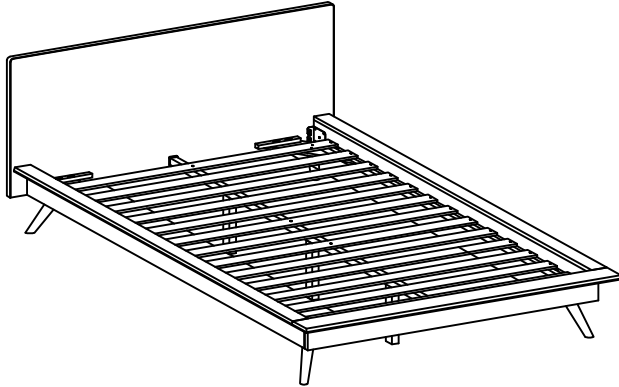


Queen Platform Bed

Assembly Instruction

1 Assembled View

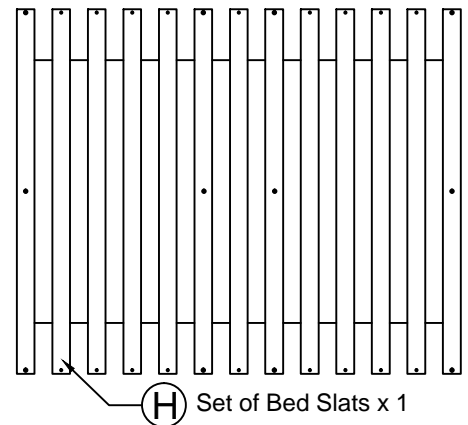
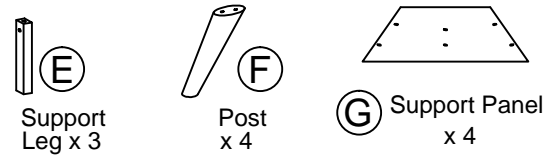
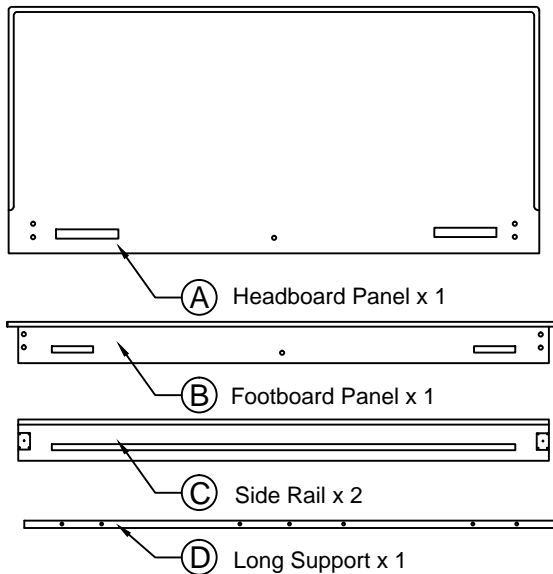


Requires 2 person for assembly



Note: Do not assemble using power tools. This can cause the bolts to be overtightened

2 Parts List



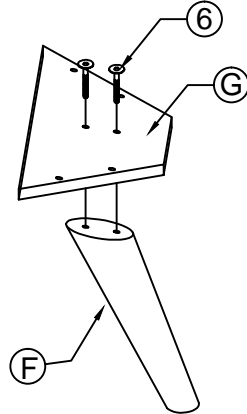
3 Hardware List

- | | | | |
|--|--|--|--|
| | | | |
| | | | |
| | | | |
| | | | |

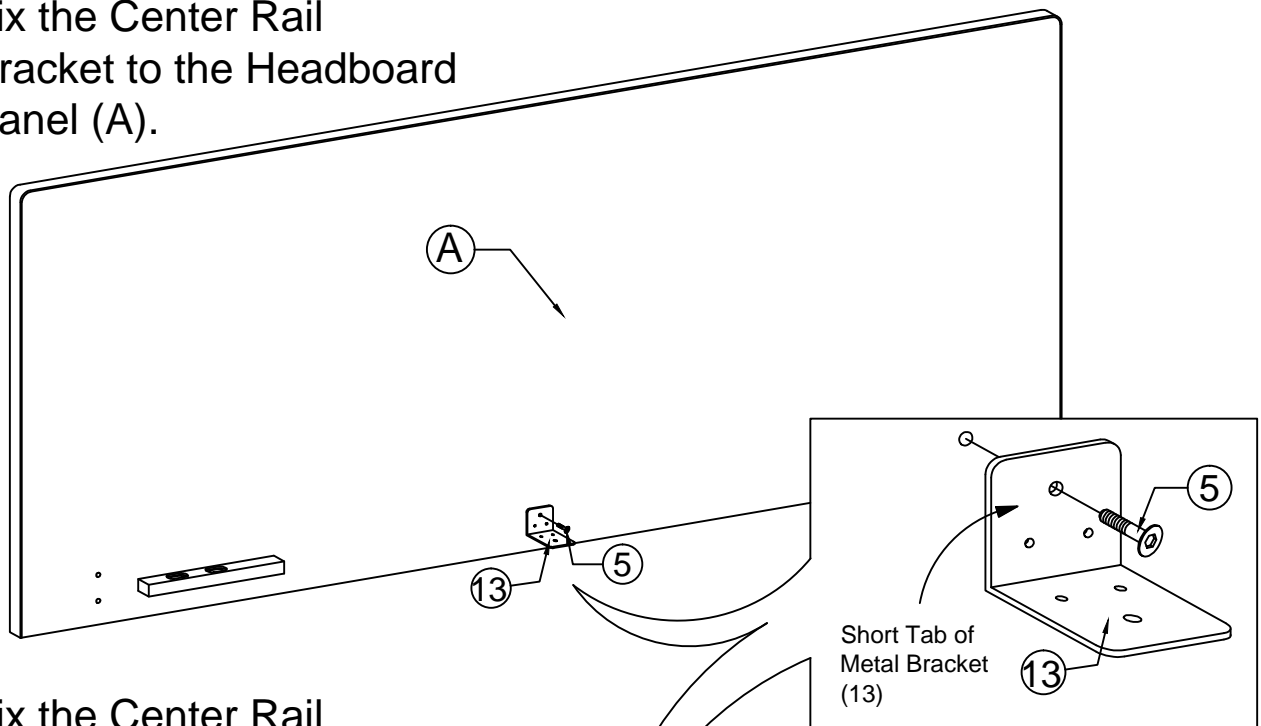
Queen Platform Bed

Assembly Instruction

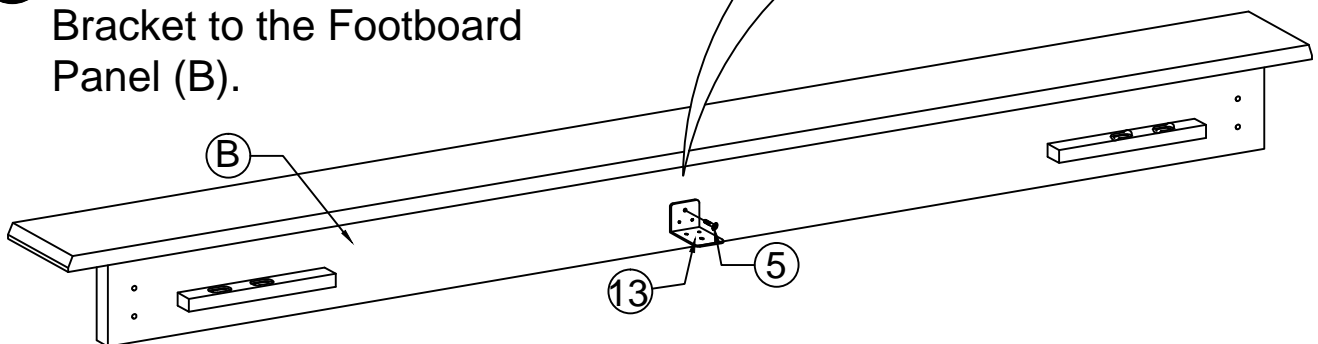
- 4** Fix the Post (F) to the Support Panel (G).



- 5** Fix the Center Rail Bracket to the Headboard Panel (A).



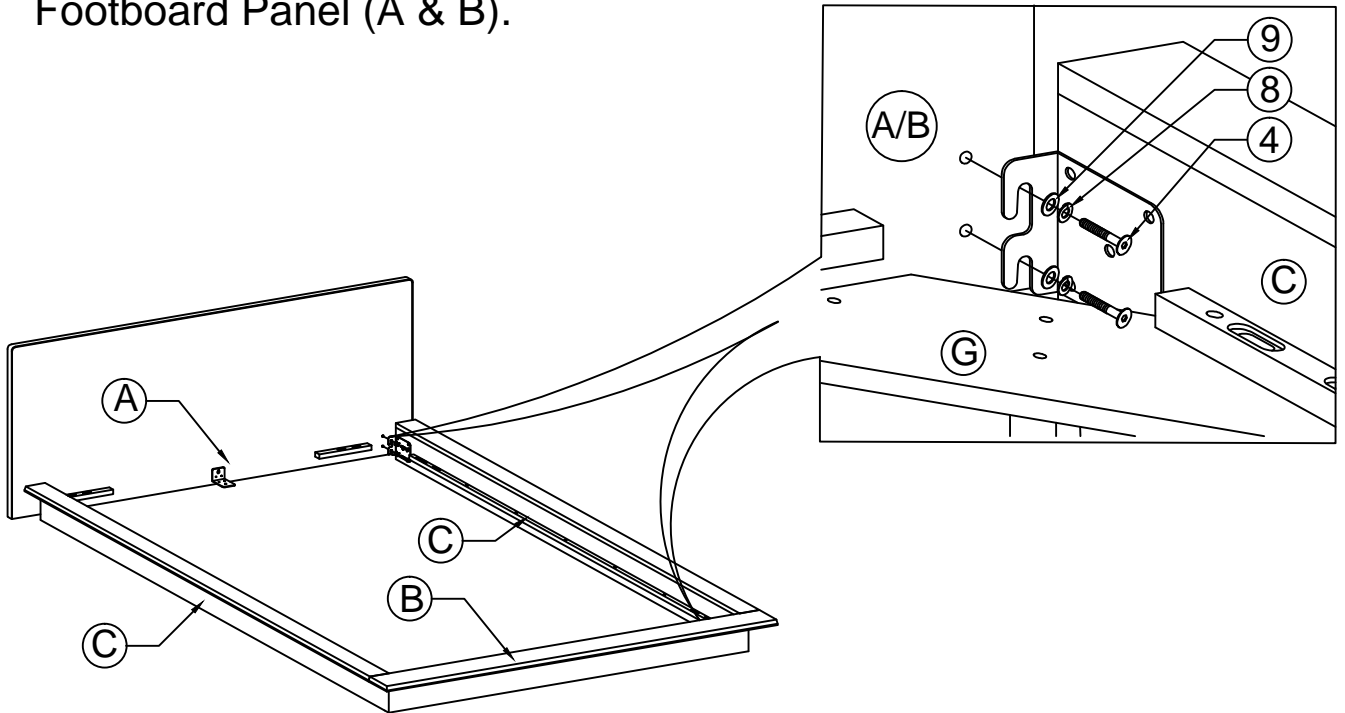
- 6** Fix the Center Rail Bracket to the Footboard Panel (B).



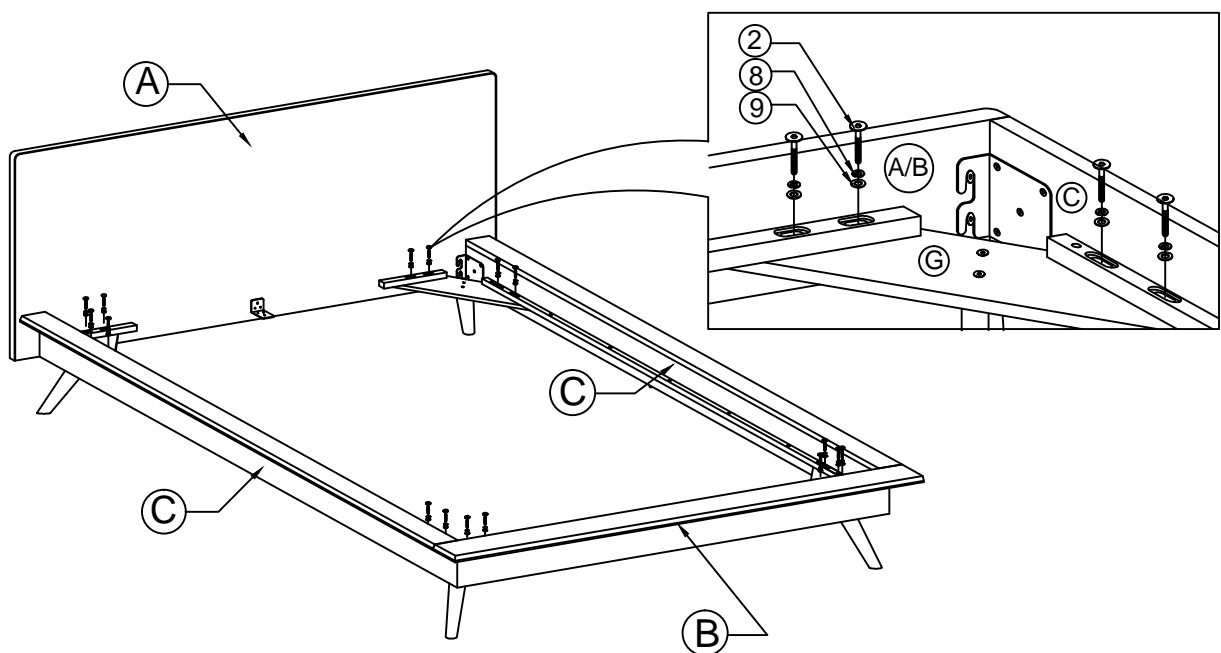
Queen Platform Bed

Assembly Instruction

- 7** Assemble the Side Rail (C) to the Headboard and Footboard Panel (A & B).



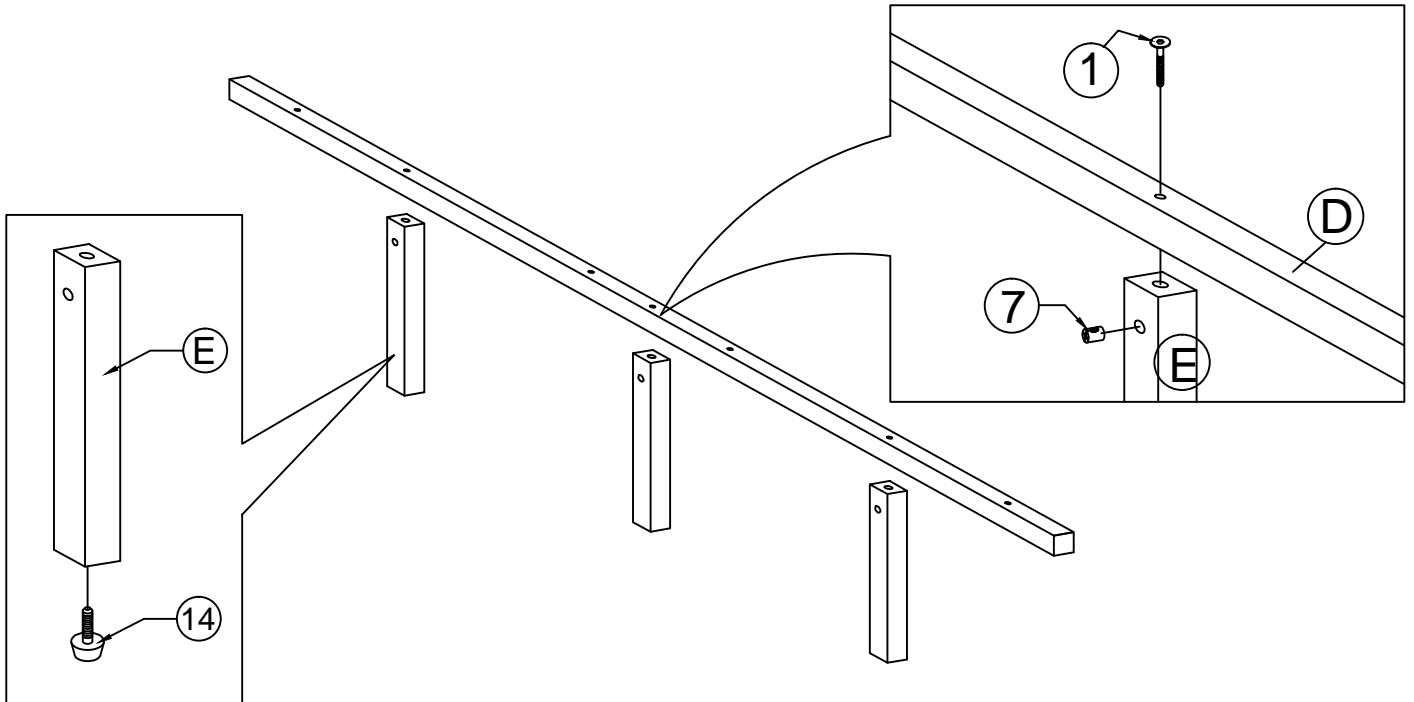
- 8** Secure the assembled Support Panel (G) to the Headboard and Footboard Panel (A&B) and Side Rail (C).



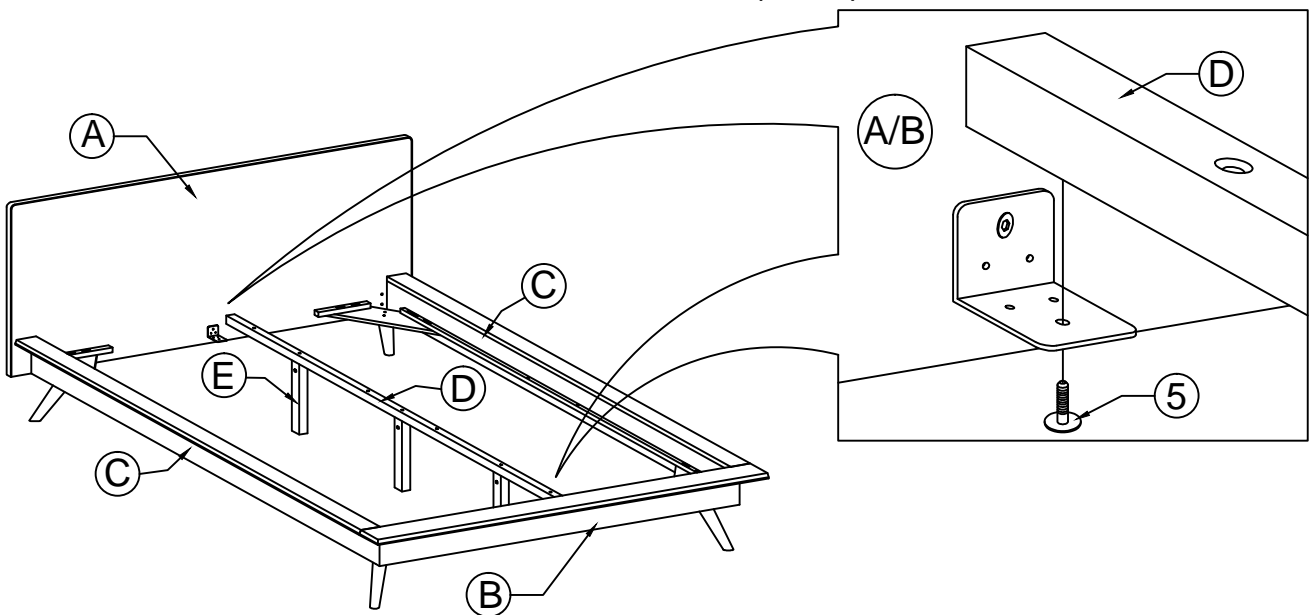
Queen Platform Bed

Assembly Instruction

- 9** Fix the Adjustable foot to the bottom of the Support Leg (E) and fix the Support Leg in to the Long support (D).



- 10** Secure the assembled Long Support (D) to the Headboard and Footboard Panel (A&B)



Queen Platform Bed

Assembly Instruction

- 11** Secure the Bed Slats (H) to the Side Rail (C).

