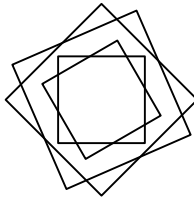
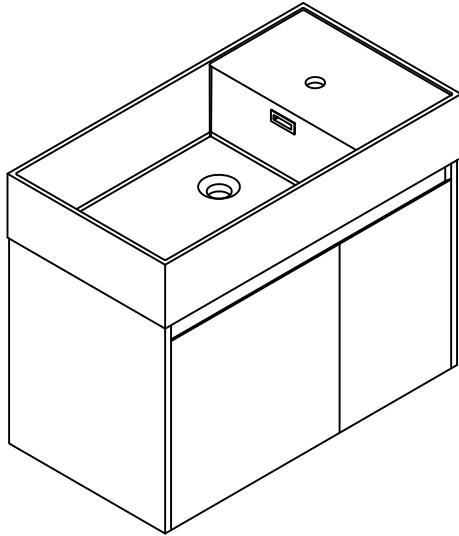



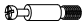



# Owner Manual

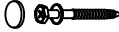
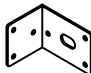






**Thank you for shopping with us!**

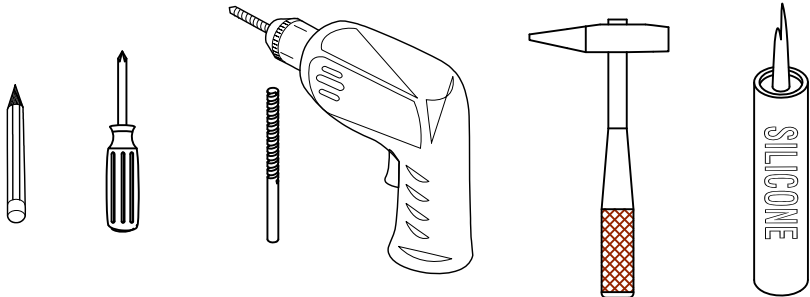
We encourage you to take a few minutes to go through this booklet. It contains important information on installation and care tips to keep your furniture looking as good as new.

## Hardware

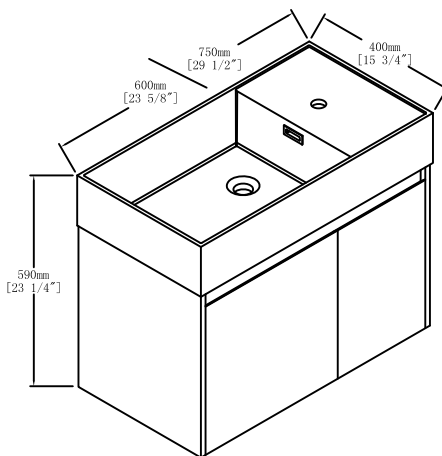
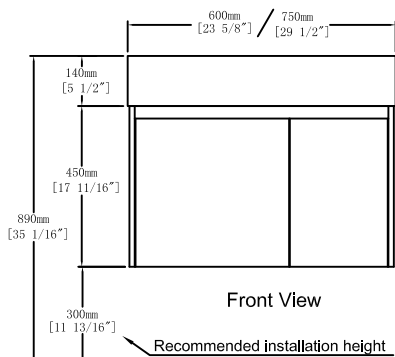
NO.	Draw	QTY
A	 Screws Ø4x14mm	44
B	 Two-in-one connector	17
C	 Two-in-one connector	17
D	 Wood plug	4
E	 Plastic anchor(Ø10mm)	4

NO.	Draw	QTY
F	 Screws for fix on the wall	4
G	 Bracket (53x70x44mm)	2
H	 Bracket (19x19x35mm)	2
I	 Hinges ( Internal hiding )	4
J	 Anti-collision gasket	4
K	 Screwdriver	1

## Recommended tools

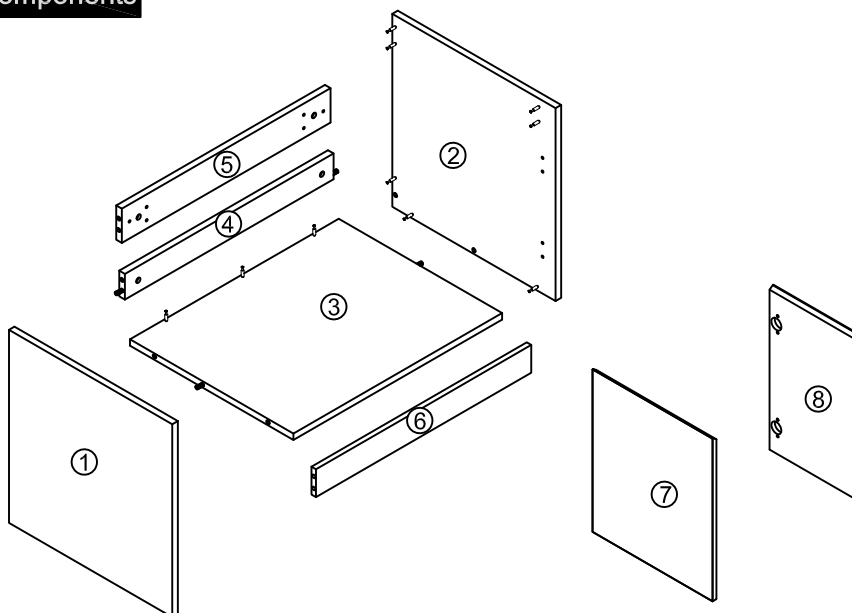


## Dimensions

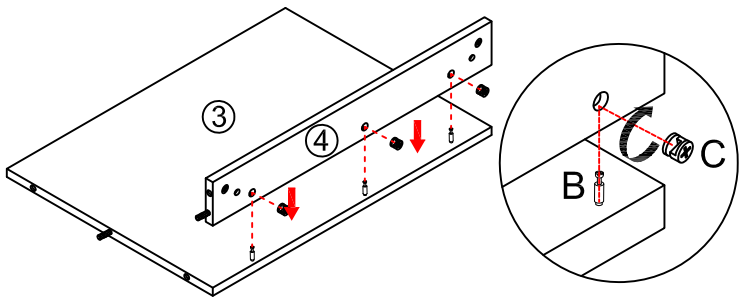


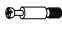


Floor

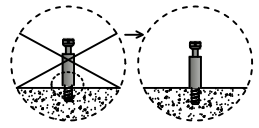
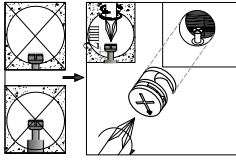
## Components



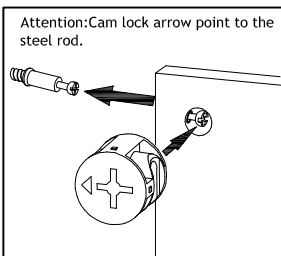
# Step 1



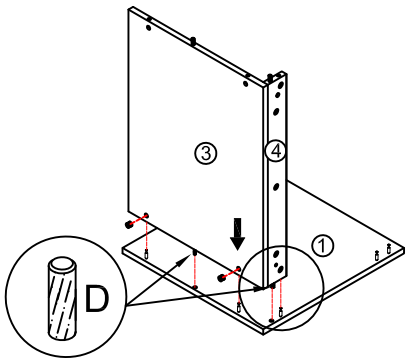
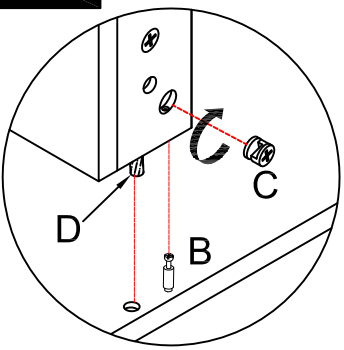
-  x3
- B**
-  x3
- C**
-  x1
- K**

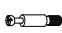





Notes: Screw installation depth as shown

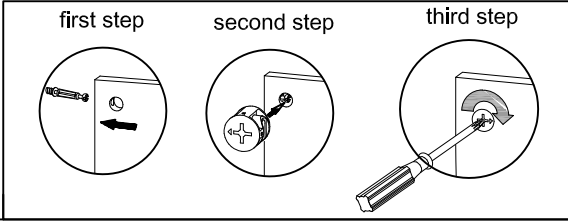
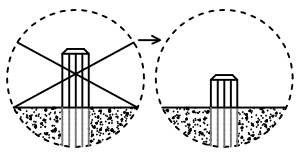


# Step 2

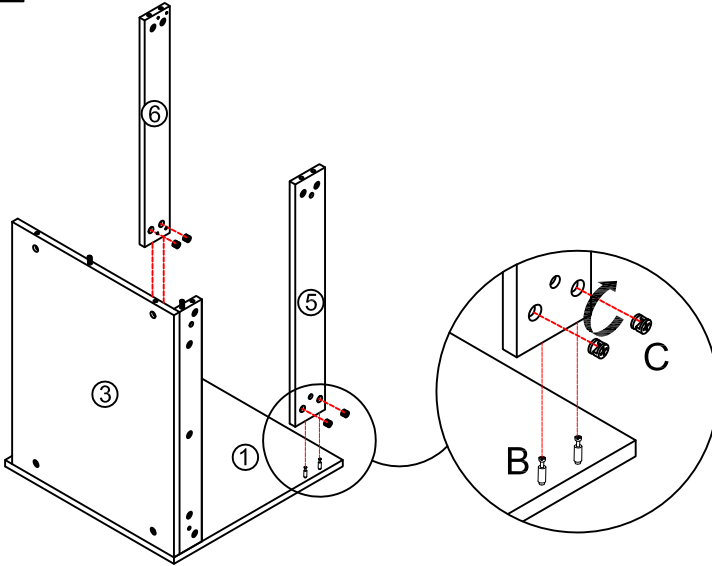


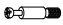

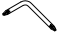
-  x3
- B**
-  x3
- C**
-  x2
- D**
-  x1
- K**

Note: The D parts are used for these two holes

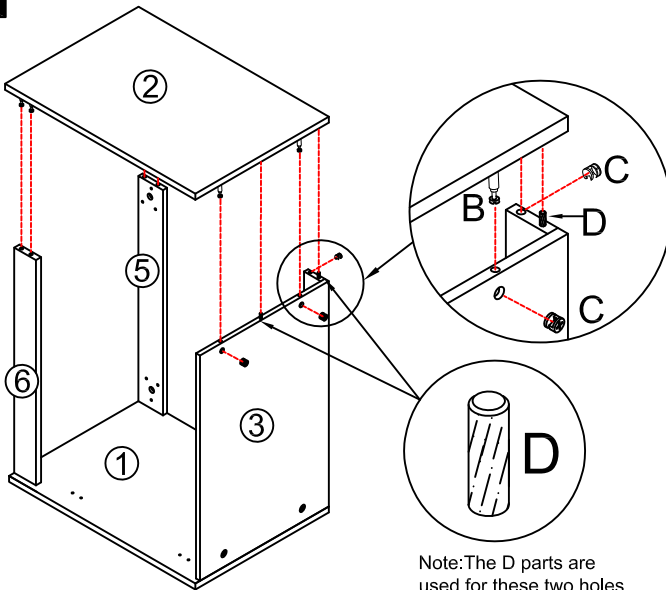


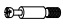


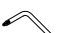
### Step 3



-  x4
- B
-  x4
- C
-  x1
- K

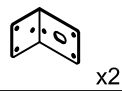
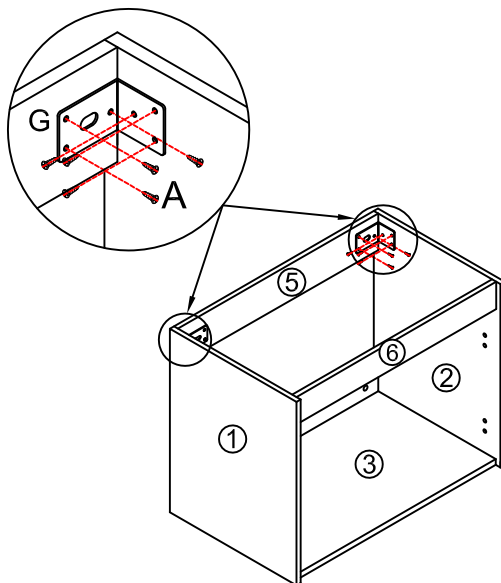
### Step 4



-  x7
- B
-  x7
- C
-  x2
- D
-  x1
- K

Note: The D parts are used for these two holes

## Step 5



G

( $\varnothing 4 \times 14\text{mm}$ )



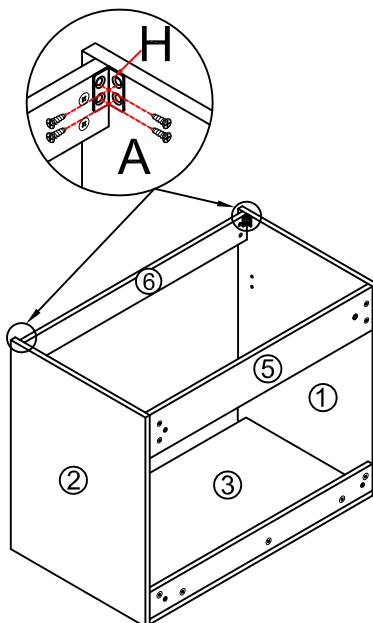
x12

A



Tool

## Step 6



x2

H

( $\varnothing 4 \times 14\text{mm}$ )



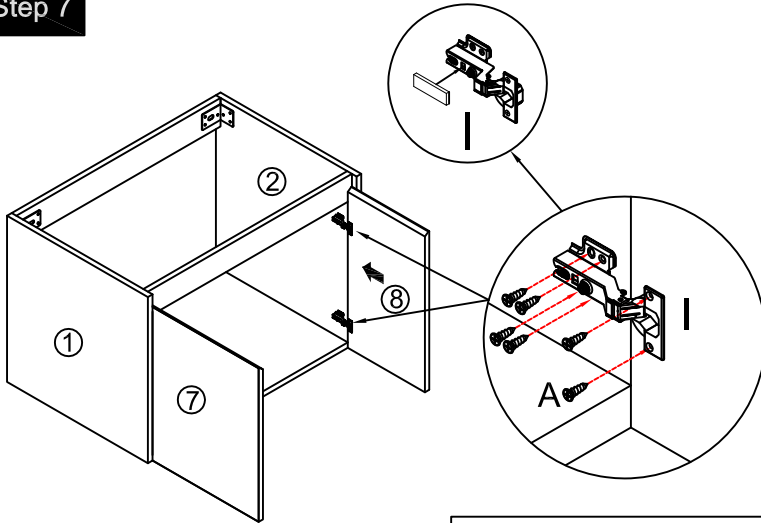
x8

A



Tool

## Step 7



x4

( $\varnothing 4 \times 14\text{mm}$ )



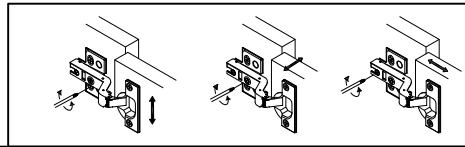
x24

A

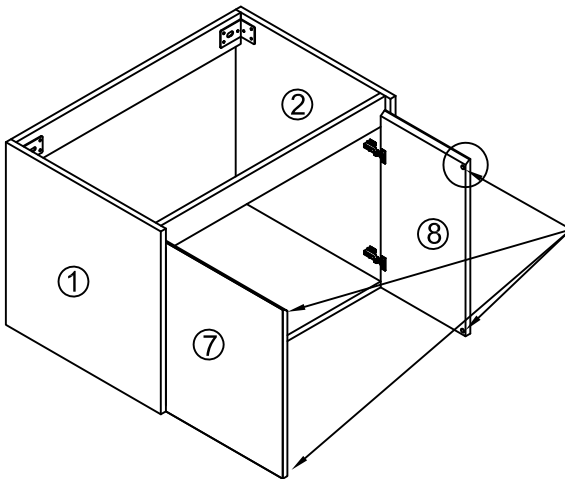


Tool

You can adjust the doors by tightening or loosening the screws on the hinge. →



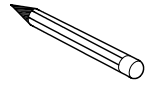
## Step 8



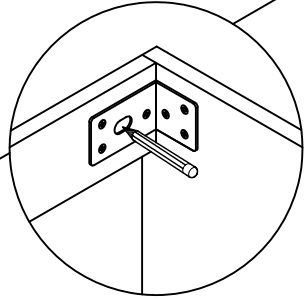
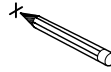
x4

J

Step 9



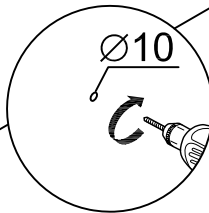
Tool



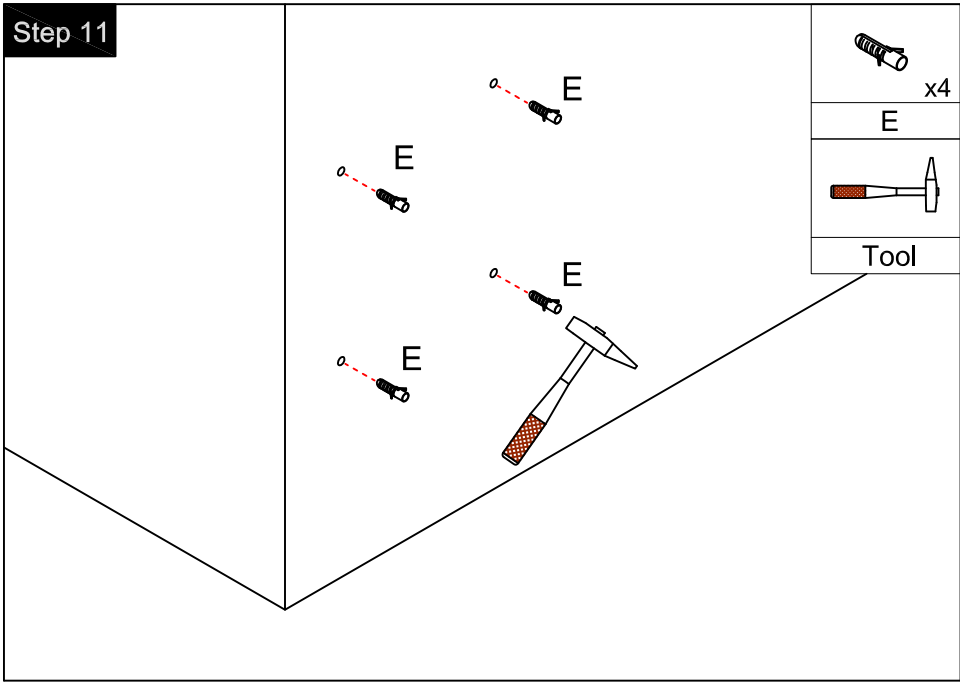
Step 10



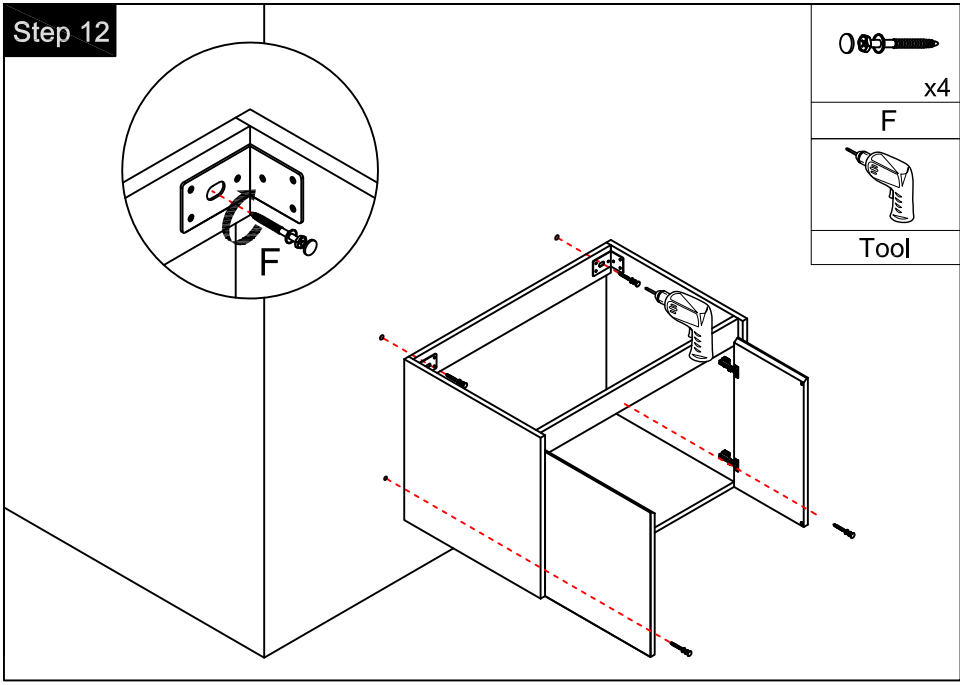
Tool



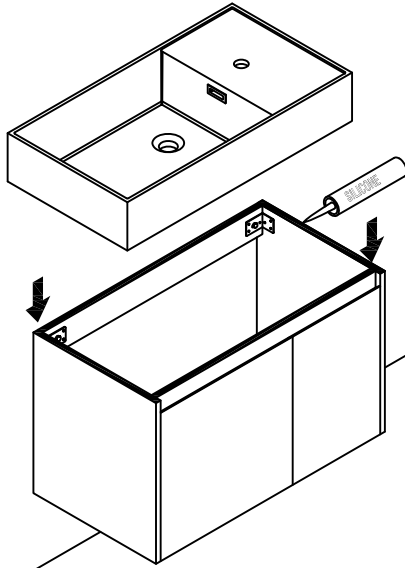
**Step 11**



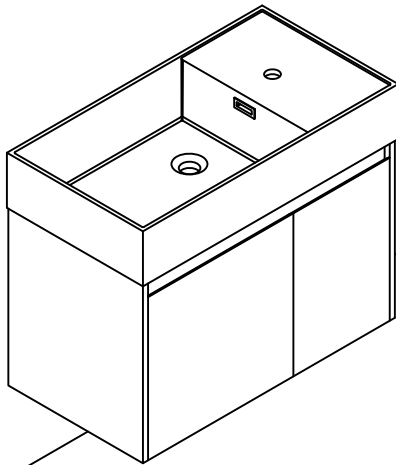
**Step 12**



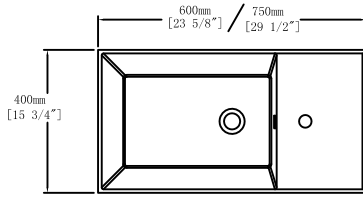
**Step 13**



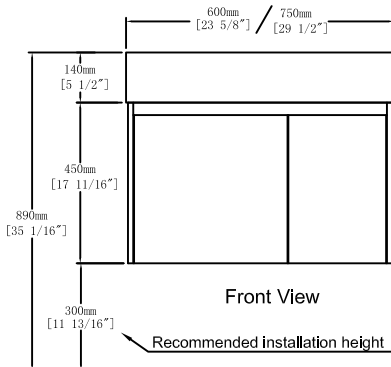
**Finished**



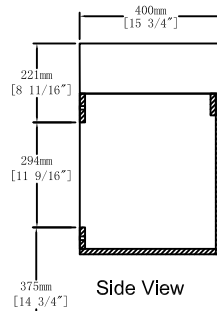
## Dimensions



Top View



Front View



Side View

Floor

## CARE CLEANING AND MAINTENANCE

1. Dust regularly with a soft , dry cloth.
2. Avoid the use of all chemicals household cleaners, abrasives, or cleaners that contain lemon, vinegar, or other acids that may damage the finish.
3. Excessive exposure to sunlight and extreme changes in temperature and moisture can damage wood furniture.
4. The sink is fragile, please pay attention to maintaining its appearance.
5. Do not place hot appliances, such as curling irons and hot hair dryers directly on the countertop. Wipe spills immediately.