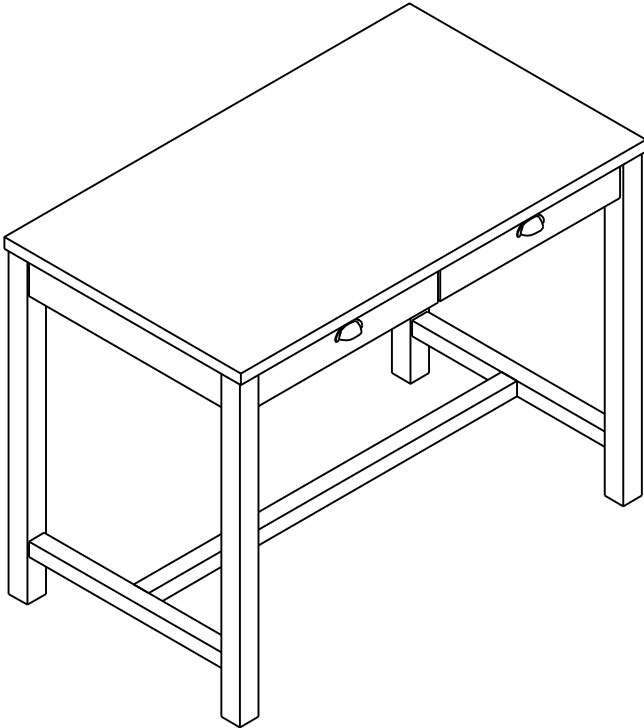


ASSEMBLY INSTRUCTION

DINING TABLE



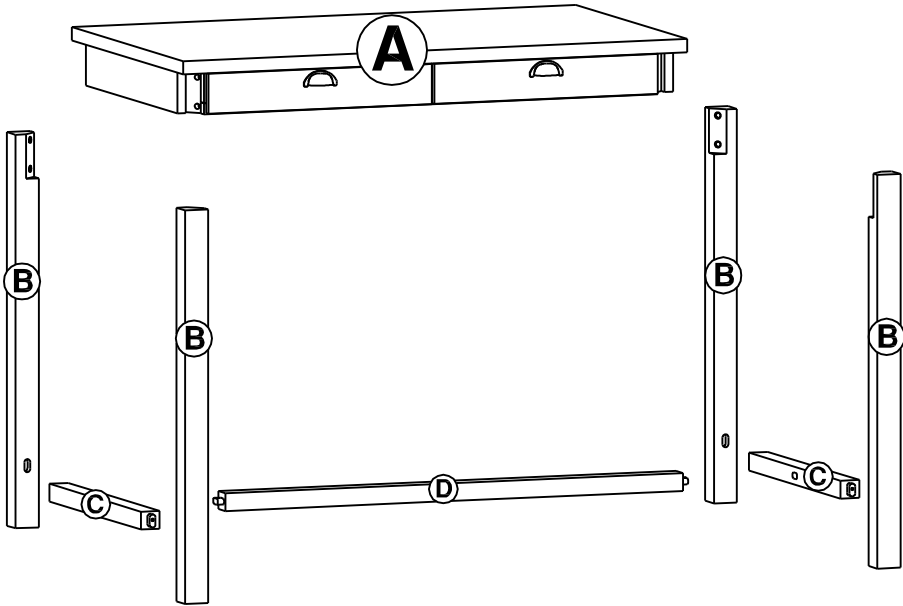
ASSEMBLY INSTRUCTION

Please read these instructions fully before starting assembly :

Tools required : Phillips screwdriver (medium)

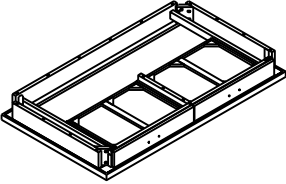
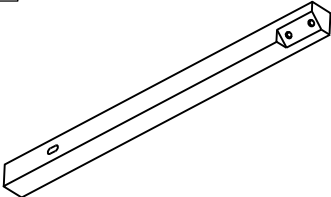
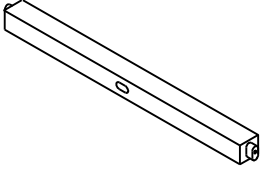
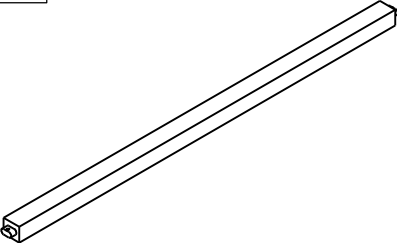
1. Check you have all the components and tools listed on the following pages.
2. Remove all fittings from the plastic bags and separate them into their groups.
3. Keep children and animals away from the work area, small parts could choke if swallowed.
4. Make sure you have enough space to layout the parts before starting.
5. During assembly do not stand or put weight on the product, this could cause damage.
6. Assemble the item as close to its final position (in the same room) as possible.
7. Assemble on a soft level surface to avoid damaging the unit or your floor.
8. Parts of the assembly will be easier with 2 people.
9. To reduce the likelihood of damaging your product please ensure that your power drill is set on a low torque setting.
10. Assemble all parts and bolts loosely during assembly, only once the product is complete should you fully tighten the bolts
11. Regularly check and ensure That all bolts and fittings are tightend properly.
12. Please do not place items that exceed the load capacity. Care and maintenance :
Only clean using a damp cloth and mild detergent, do no use bleach or abrasive cleaners.

ASSEMBLY INSTRUCTION



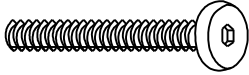



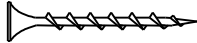


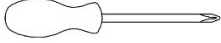
ASSEMBLY INSTRUCTION

Part List

<p>A</p>  <p>TOP – 1 PC</p>	<p>B</p>  <p>LEG (L&R) – 4 PCS</p>	<p>C</p>  <p>SIDE STRETCHER – 2 PCS</p>
<p>D</p>  <p>CENTER STRETCHER – 1 PC</p>		

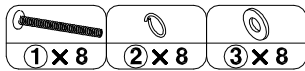
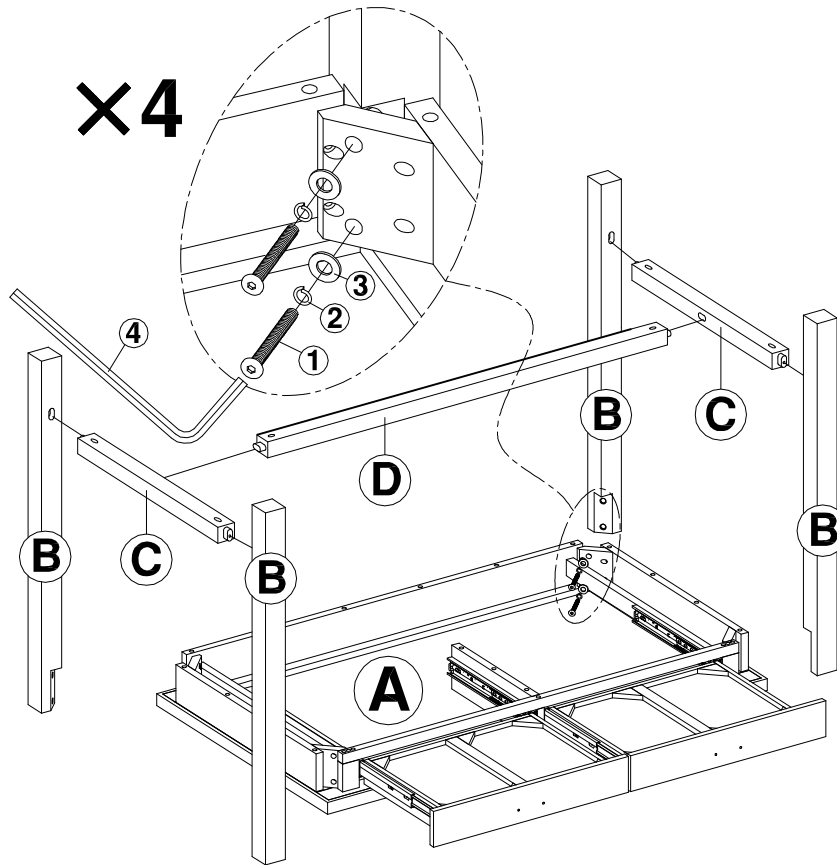
ASSEMBLY INSTRUCTION

Hardware List

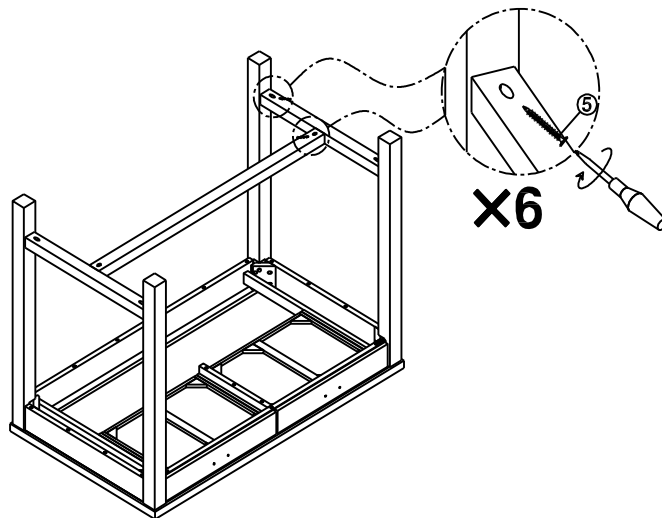
<div style="border: 1px solid black; width: 30px; height: 30px; margin: 0 auto; display: flex; align-items: center; justify-content: center;">1</div>  <p style="text-align: center;">M8 x 60MM</p> <p style="text-align: center;">BOLT (8 PCS)</p>	<div style="border: 1px solid black; width: 30px; height: 30px; margin: 0 auto; display: flex; align-items: center; justify-content: center;">2</div>  <p style="text-align: center;">(φ8.5 x 13MM)</p> <p style="text-align: center;">SPRING WASHER (8PCS)</p>	<div style="border: 1px solid black; width: 30px; height: 30px; margin: 0 auto; display: flex; align-items: center; justify-content: center;">3</div>  <p style="text-align: center;">(φ8.5 x 19MM)</p> <p style="text-align: center;">Flat Washer (8PCS)</p>
<div style="border: 1px solid black; width: 30px; height: 30px; margin: 0 auto; display: flex; align-items: center; justify-content: center;">4</div>  <p style="text-align: center;">M4 X 30MM X 110MM</p> <p style="text-align: center;">ALLEN KEY (1 PC)</p>	<div style="border: 1px solid black; width: 30px; height: 30px; margin: 0 auto; display: flex; align-items: center; justify-content: center;">5</div>  <p style="text-align: center;">M4 X 50MM</p> <p style="text-align: center;">SHORT SCREW (6 PCS)</p>	<div style="border: 1px solid black; width: 30px; height: 30px; margin: 0 auto; display: flex; align-items: center; justify-content: center;">6</div>  <p style="text-align: center;">M4 X 25MM</p> <p style="text-align: center;">PAN HEAD SCREW (4 PCS)</p>
<div style="border: 1px solid black; width: 30px; height: 30px; margin: 0 auto; display: flex; align-items: center; justify-content: center;">7</div>  <p style="text-align: center;">HANDLE (2 PCS)</p>	 <p style="text-align: center;">ASSEMBLY TOOLS REQUIRED (NOT INCLUDED)</p>	

ASSEMBLY INSTRUCTION

STEP 1:

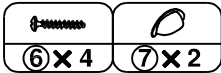
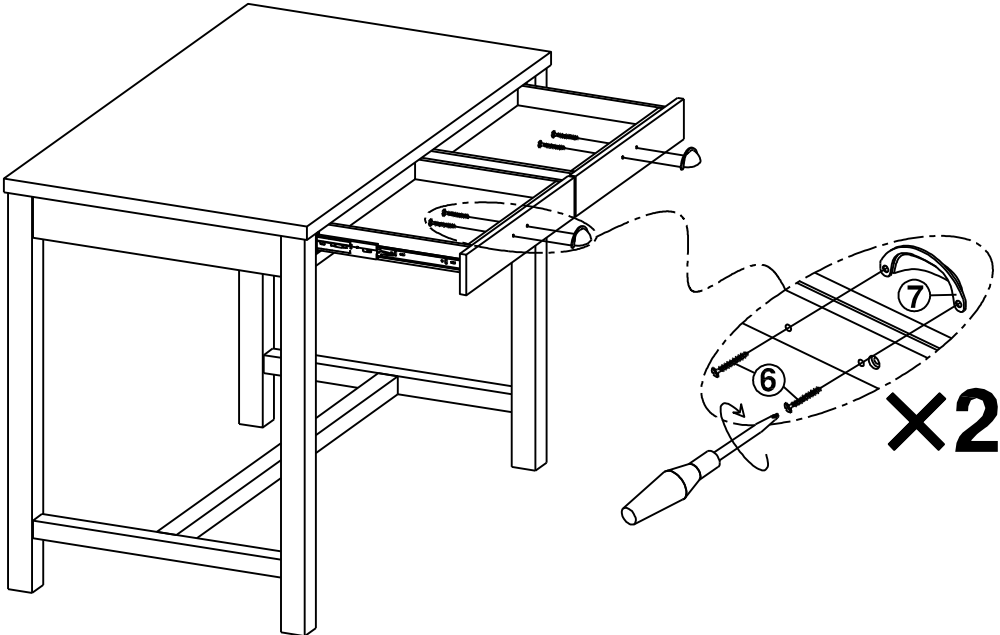


STEP 2:

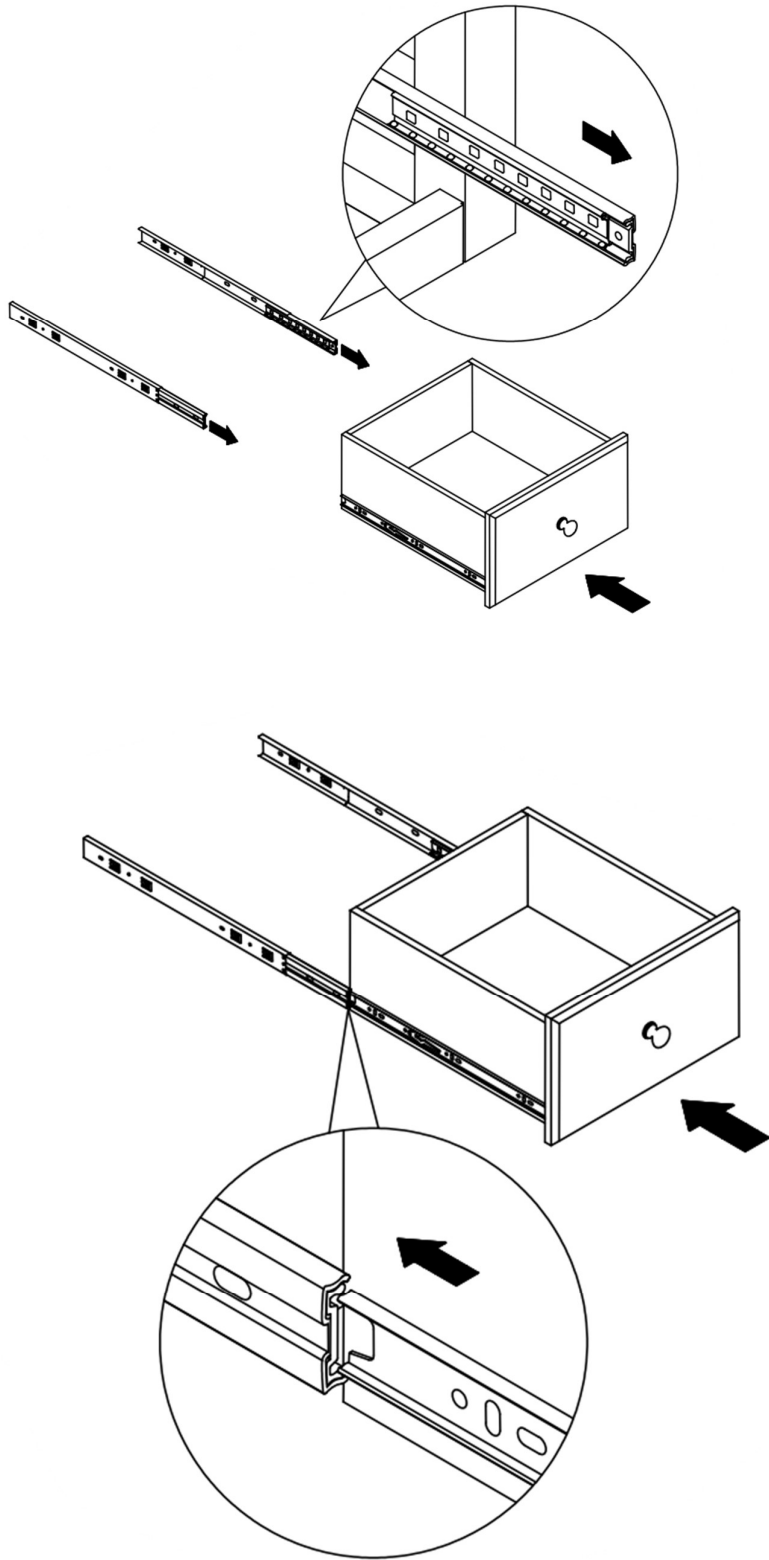


ASSEMBLY INSTRUCTION

STEP 3:



ASSEMBLY INSTRUCTION



ASSEMBLY INSTRUCTION

