

Piro Flush Mount

EF1044 1.0

GENERATION LIGHTING

CEILING

GENERAL PRODUCT INFORMATION:

These fixtures are intended to be installed utilizing NEC compliant junction boxes.

This product is safety listed for damp locations.

Incandescent lamps may be dimmed with a standard incandescent dimmer. LED lamps may be dimmed with a LED dimmer. Consult lamp manufacturer for additional information.

This instruction shows a typical installation.

CAUTION - RISK OF FIRE

This product must be installed in accordance with the applicable installation code by a person familiar with the construction and operation of the product and the hazards involved.

Use minimum 90°C supply conductors.

GENERATION LIGHTING

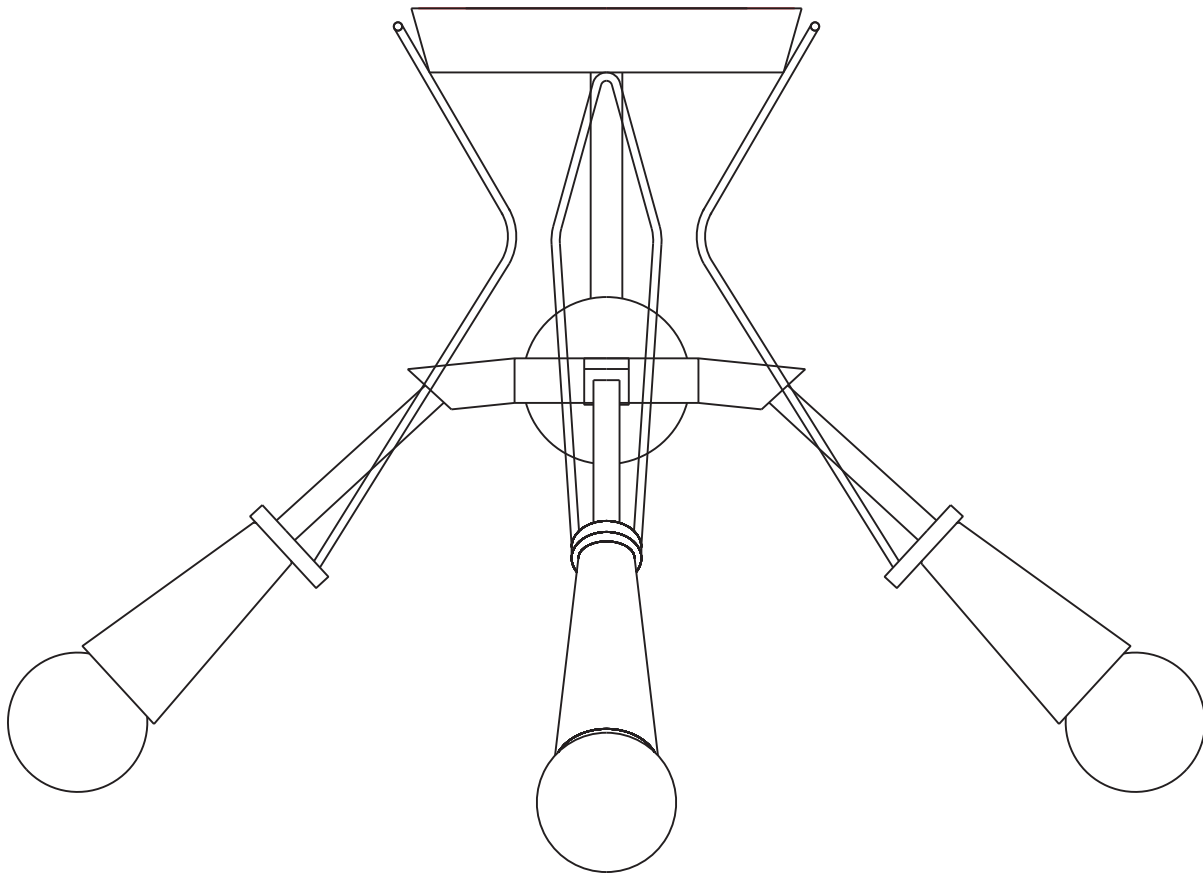
7400 Linder Ave, Skokie, IL 160077

800.969.3347

www.generationlighting.com

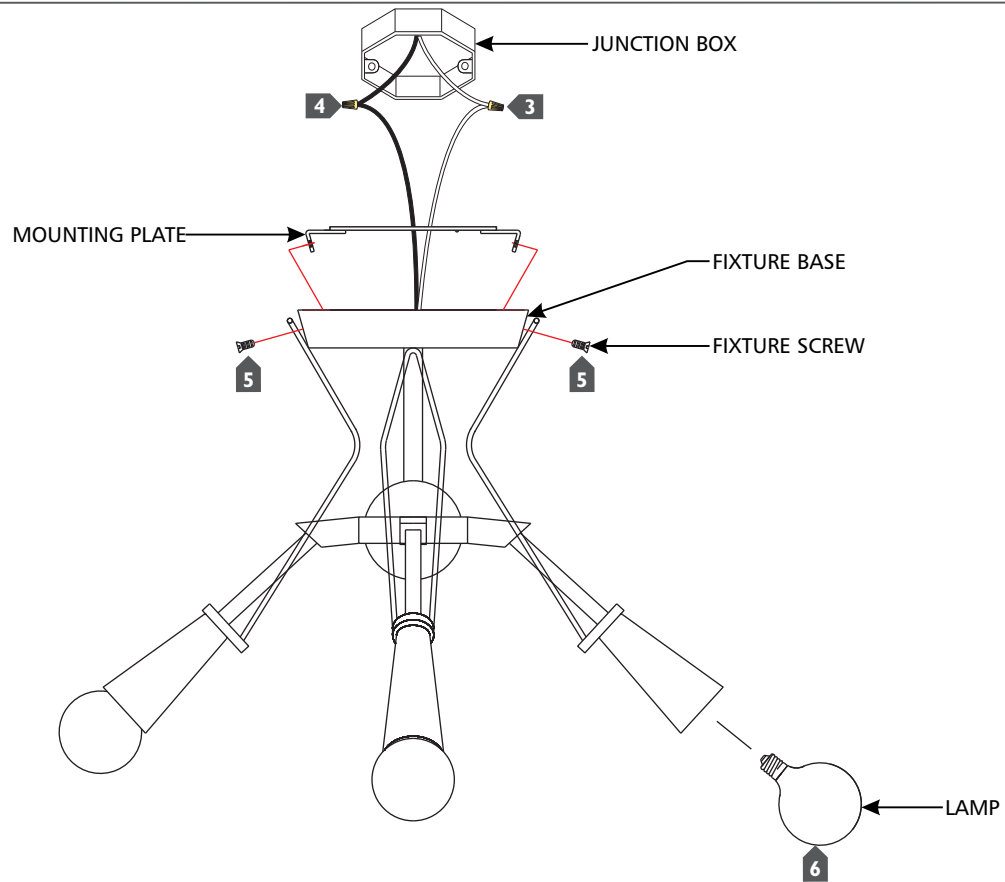
© 2019 Generation Lighting. All rights reserved.

The "Generation Lighting" graphic is a registered trademark of Generation Lighting. Generation Lighting reserves the right to change specifications for product improvements without notification.

**SAVE THESE INSTRUCTIONS!**

Install the Fixture

IA



- 1 Secure the mounting plate to the junction box.
- 2 Connect the fixture to a suitable ground in accordance with local electrical codes.
- 3 Connect the white fixture wire to the neutral power line wire with a wire nut.
- 4 Connect the black fixture wire to the hot power line wire with a wire nut.
- 5 Neatly tuck the wiring into the junction box, align the fixture base holes with the holes on the mounting plate, and secure them together using the fixture screws.
- 6 Screw the lamps into the sockets. Refer to the label on the socket for max wattage information.