

# ASSEMBLY INSTRUCTIONS



*Fine Furniture for every stage of life*

**Queen Bed**

REVISION 0: 01/17/2017  
REVISION 1: 08/14/2018  
REVISION 2: 08/20/2018  
REVISION 3: 08/27/2019  
REVISION 4: 12/21/2020

PAGE 1 OF 10

# ITEM: (B1-B3)

## ASSEMBLY INSTRUCTIONS

### ASSEMBLY TIPS:

1. Remove hardware from box and sort by size.
2. Please check to see that all hardware and parts are present prior to start of assembly.
3. Please follow attached instructions in the same sequence as numbered to assure fast & easy assembly.



### WARNING!

1. Don't attempt to repair or modify parts that are broken or defective. Please contact the store immediately.
2. This product is for home use only and not intended for commercial establishments.



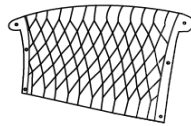
ASSEMBLY TIME

40 MINUTES

## PARTS IDENTIFICATION

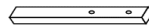
### B1 ( BOX 1)

A HEADBOARD PANEL



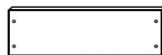
1PC

B HEADBOARD LEG



2PCS

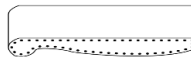
C HEADBOARD SUPPORT PANEL



1PC

### B2 ( BOX 2)

D1 LEFT WING



1PCS

D2 RIGHT WING



1PCS

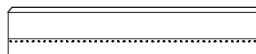
E WING SUPPORT



2PCS

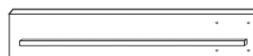
### B3 ( BOX 3)

F FOOTBOARD PANEL



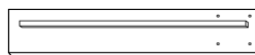
1PC

G1 LEFT BED RAIL



1PC

G2 RIGHT BED RAIL



1PC

### NOTE:

Phillips head screw driver is required in the assembly process; however, manufacturer does not provide this item.

# ITEM: (B1-B3)

## ASSEMBLY INSTRUCTIONS

### ASSEMBLY TIPS:







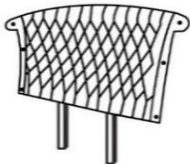
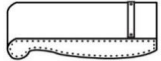
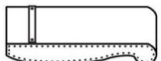
1. Remove hardware from box and sort by size.
2. Please check to see that all hardware and parts are present prior to start of assembly.
3. Please follow attached instructions in the same sequence as numbered to assure fast & easy asse



### WARNING!

1. Don't attempt to repair or modify parts that are broken or defective. Please contact the store immediately.
2. This product is for home use only and not intended for commercial establishments.

## PARTS IDENTIFICATION

|      |                                          |                                                                                      |       |
|------|------------------------------------------|--------------------------------------------------------------------------------------|-------|
| H    | BED SLAT WITHOUT HOLE                    |    | 10PCS |
| I    | BED SLAT WITH HOLES                      |    | 3PCS  |
| J    | BED SLAT SUPPORT                         |    | 3PCS  |
| K    | FOOTBOARD LEG                            |   | 2PCS  |
| L    | CENTER RAIL                              |  | 1PCS  |
| M    | CENTER RAIL SUPPORT                      |   | 1PCS  |
| HB   | (B1)<br>FROM BOX 1<br>HEADBOARD COMPLETE |  | 1PC   |
| ER 1 | (B2)<br>FROM BOX 2<br>WING COMPLETE      |   | 1PC   |
| ER 2 | (B2)<br>FROM BOX 2<br>WING COMPLETE      |   | 1PC   |

Phillips head screw driver is required in the assembly process; however, manufacturer does not provide this item.

# ITEM: (B1-B3)

## ASSEMBLY INSTRUCTIONS

### ASSEMBLY TIPS:

1. Remove hardware from box and sort by size.
2. Please check to see that all hardware and parts are present prior to start of assembly.
3. Please follow attached instructions in the same sequence as numbered to assure fast & easy assembly.






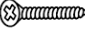
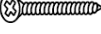
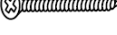







### WARNING!

1. Don't attempt to repair or modify parts that are broken or defective. Please contact the store immediately.
2. This product is for home use only and not intended for commercial establishments.

## HARDWARE IDENTIFICATION

### Z-B3 (BOX 3) - HARDWARE PACK IS LOCATED IN (B3)

|    |                                                    |                                                                                     |       |
|----|----------------------------------------------------|-------------------------------------------------------------------------------------|-------|
| 1  | <b>ALLEN WRENCH</b><br>(Φ6 - BLK)                  |    | 1PC   |
| 2  | <b>BOLT 1</b><br>(Φ6 X 30mm - RBW)                 |    | 4PCS  |
| 3  | <b>BOLT 2</b><br>(Φ6 X 45mm - RBW)                 |    | 12PCS |
| 4  | <b>BOLT 3</b><br>(Φ6 X 60mm - RBW)                 |  | 5PCS  |
| 5  | <b>BOLT 4</b><br>(Φ6 X 90mm - RBW)                 |  | 8PCS  |
| 6  | <b>SHORT FLAT HEAD SCREW</b><br>(Φ4 X 16mm - RBW)  |  | 8PCS  |
| 7  | <b>MEDIUM FLAT HEAD SCREW</b><br>(Φ4 X 32mm - RBW) |  | 27PCS |
| 8  | <b>LONG FLAT HEAD SCREW</b><br>(Φ4 X 45mm - RBW)   |  | 4PCS  |
| 9  | <b>BIG FLAT WASHER</b><br>(Φ3/8 X 25 X 1 - RBW)    |  | 24PCS |
| 10 | <b>MEDIUM FLAT WASHER</b><br>(Φ7 X 19 X 2 - RBW)   |  | 24PCS |
| 11 | <b>SMALL FLAT WASHER</b><br>(Φ6 X 13 X 1 - RBW)    |  | 4PCS  |
| 12 | <b>LOCK WASHER</b><br>(Φ6 - RBW)                   |  | 24PCS |
| 13 | <b>LEVELER</b><br>(Φ6 X 23mm - RBW)                |  | 3PCS  |

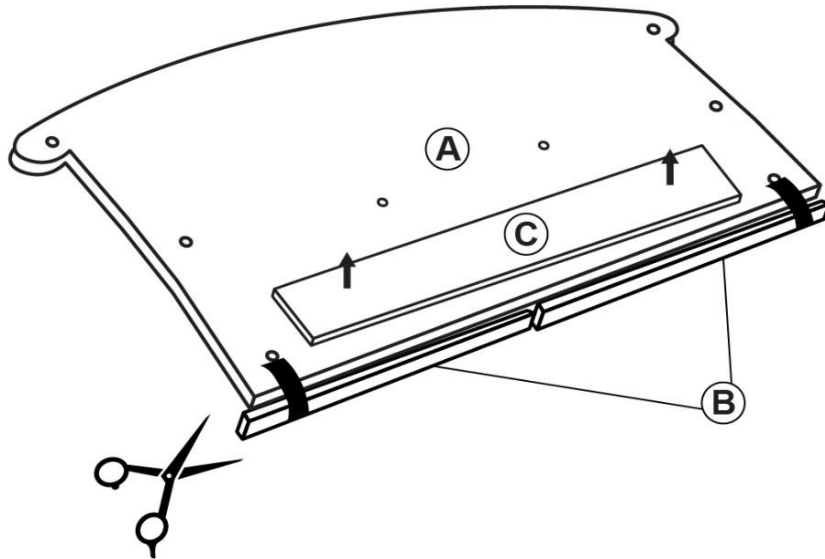
### NOTE:

Phillips head screw driver is required in the assembly process; however, manufacturer does not provide this item.

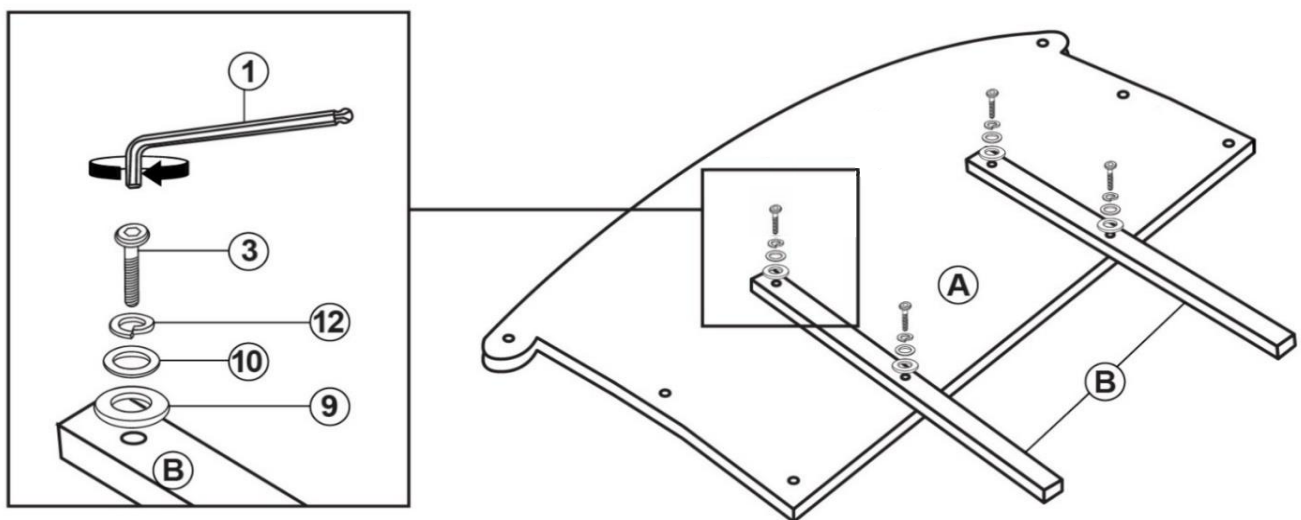
# ITEM: (B1-B3)

## ASSEMBLY INSTRUCTIONS

### STEP 1



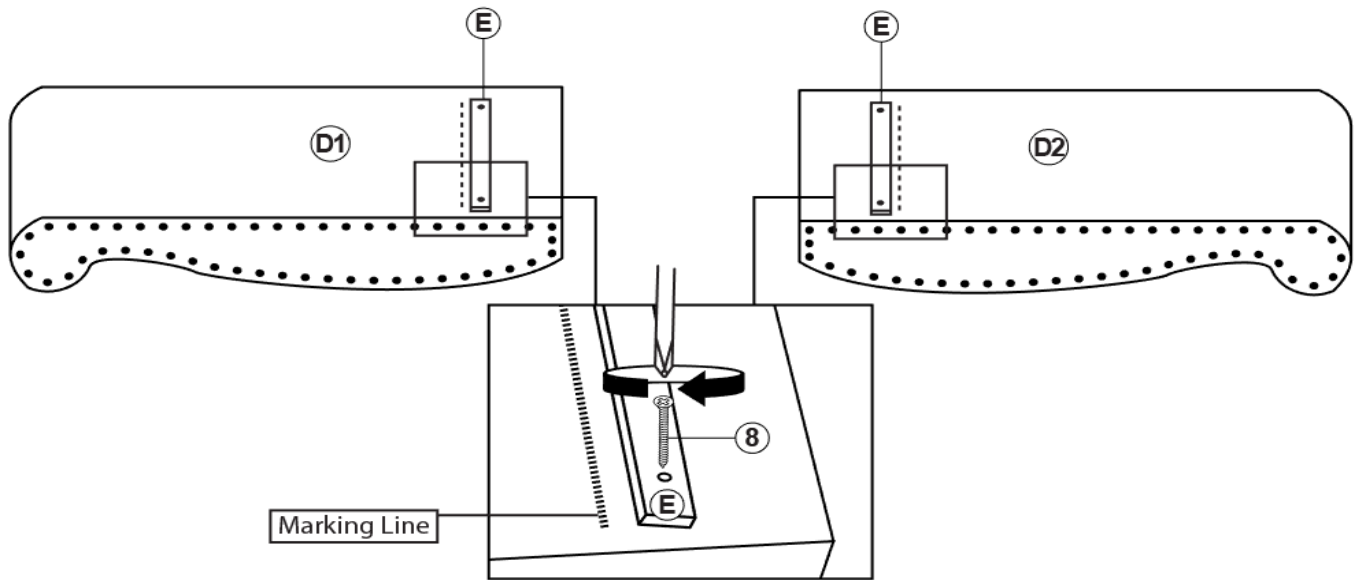
### STEP 2



# ITEM: (B1-B3)

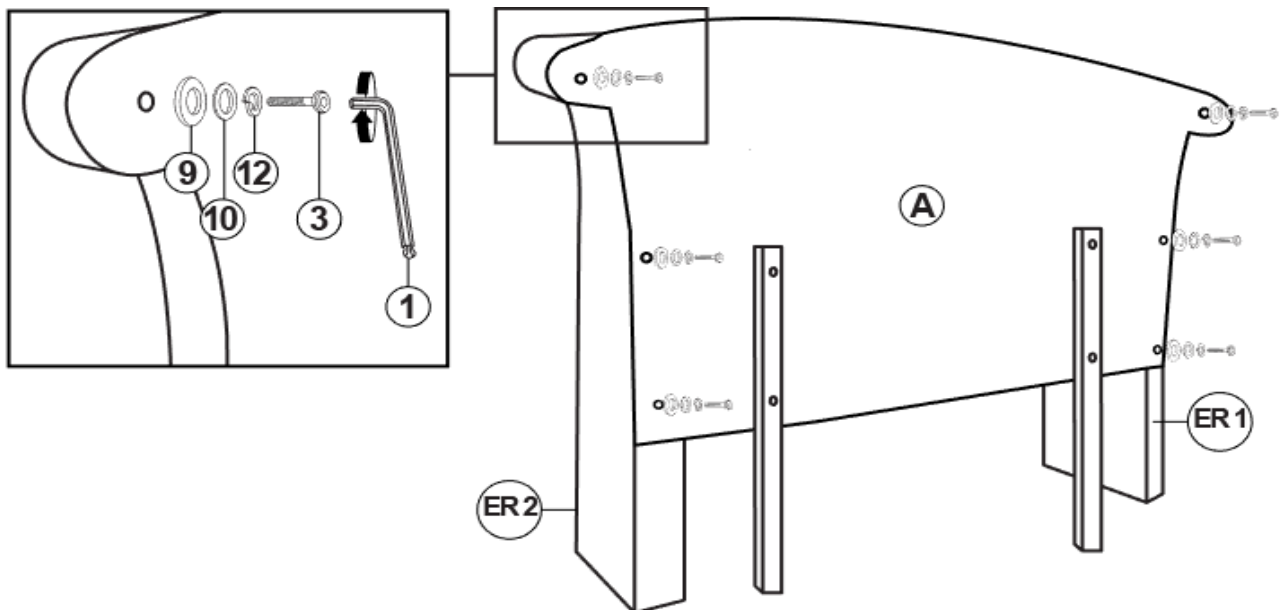
## ASSEMBLY INSTRUCTIONS

### STEP 3



\*Assemble wing support at the bottom of the marking line.

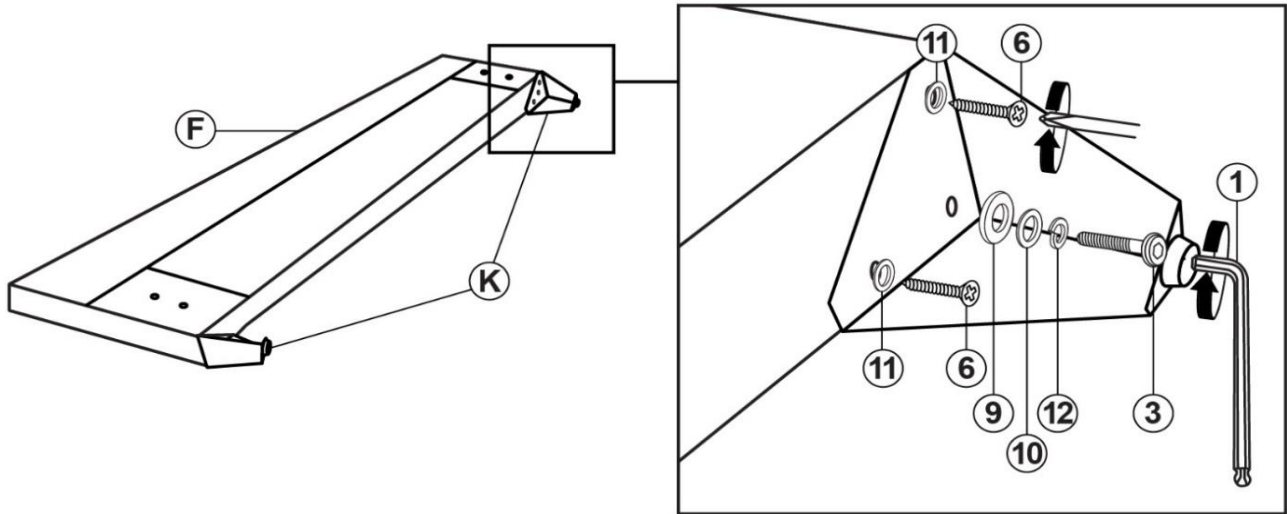
### STEP 4



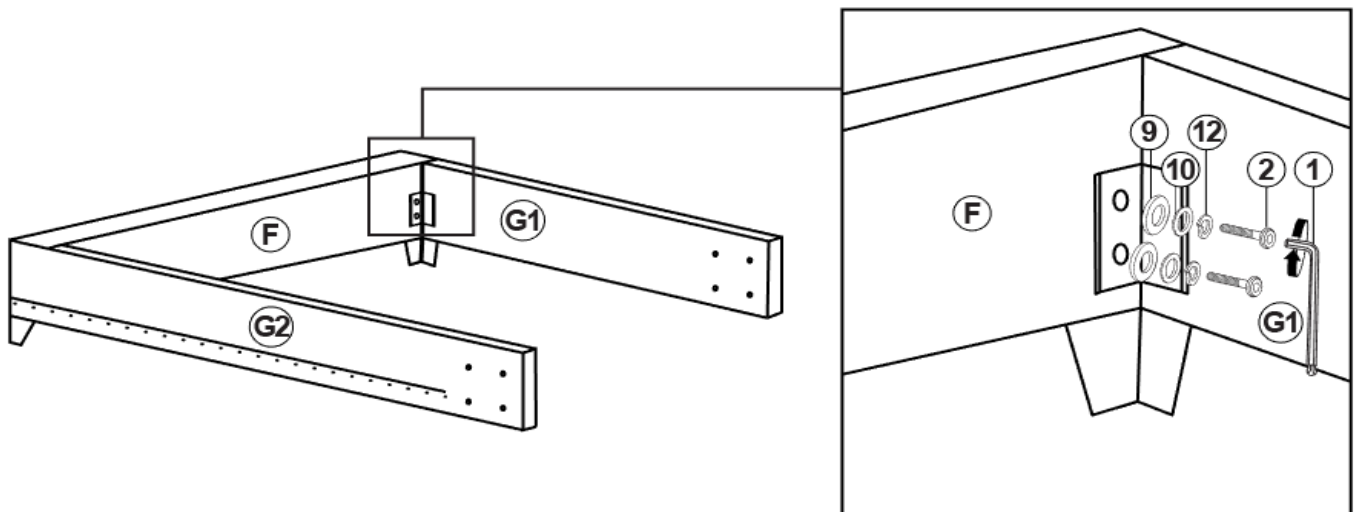
# ITEM: (B1-B3)

## ASSEMBLY INSTRUCTIONS

### STEP 5



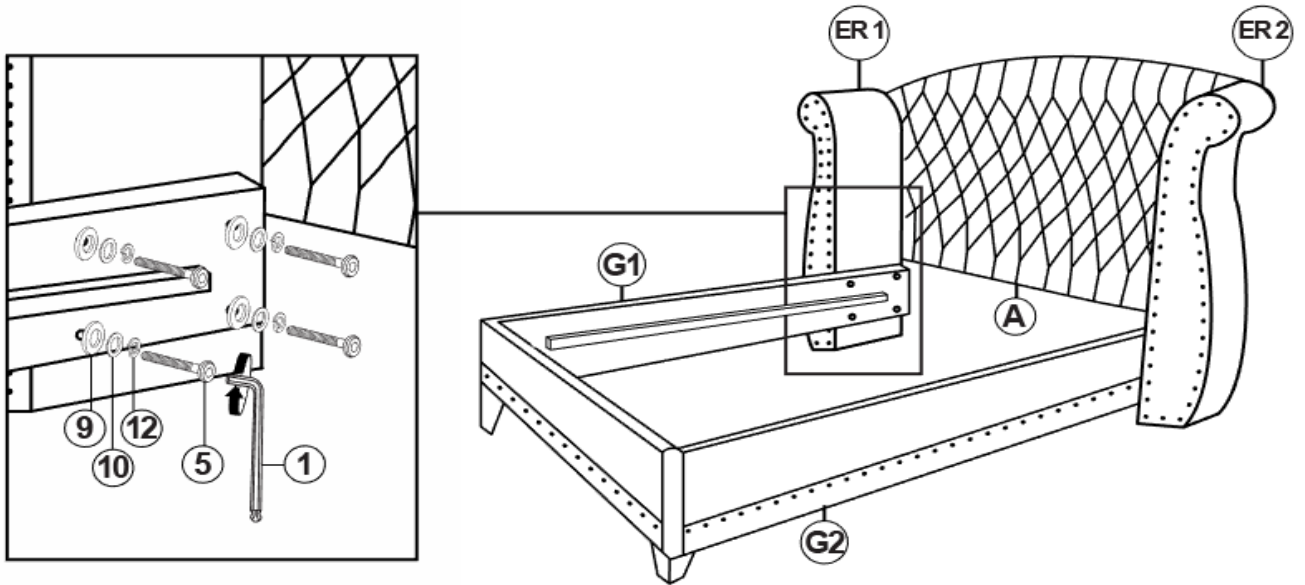
### STEP 6



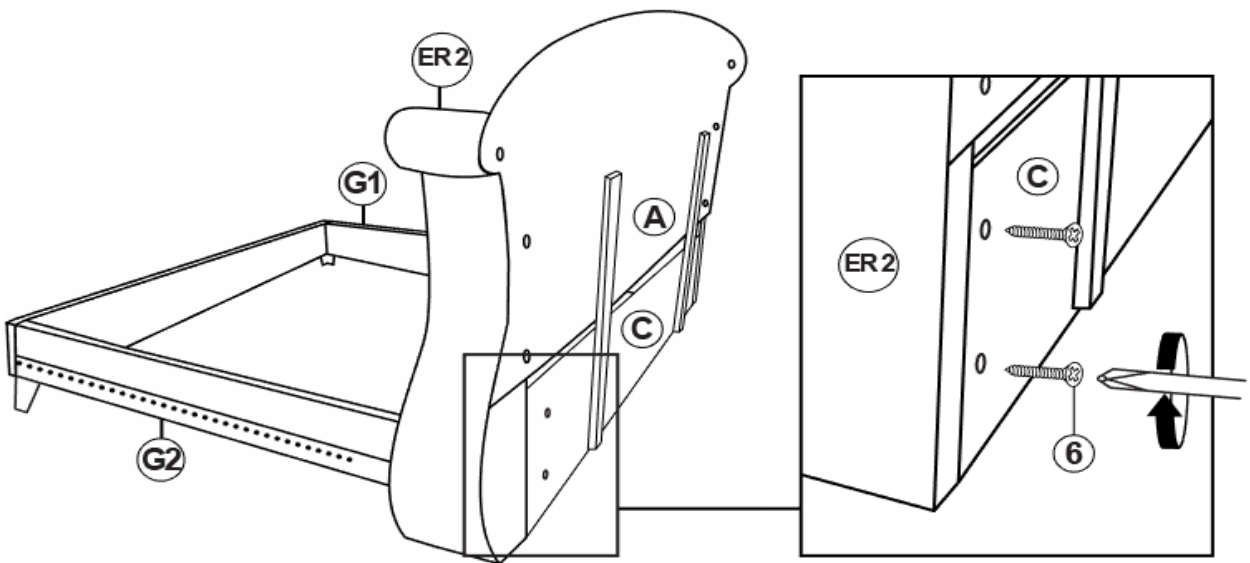
# ITEM: (B1-B3)

## ASSEMBLY INSTRUCTIONS

### STEP 7



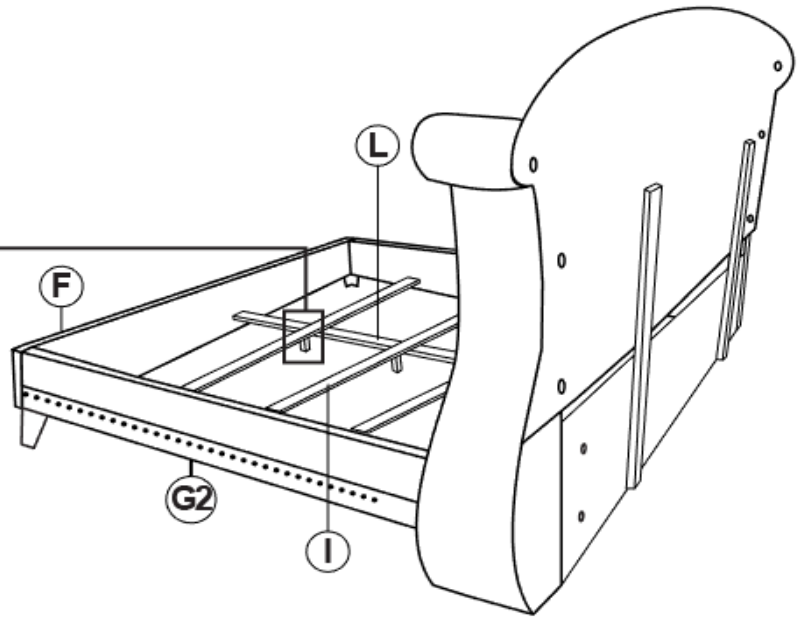
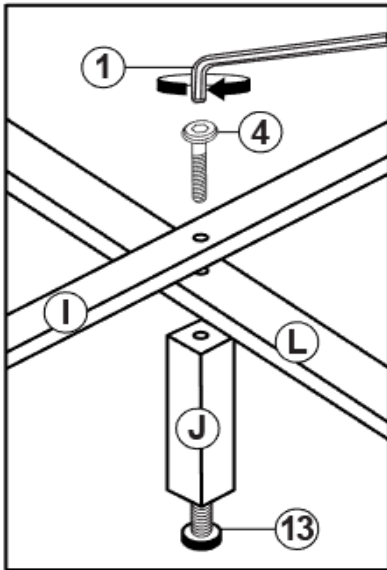
### STEP 8



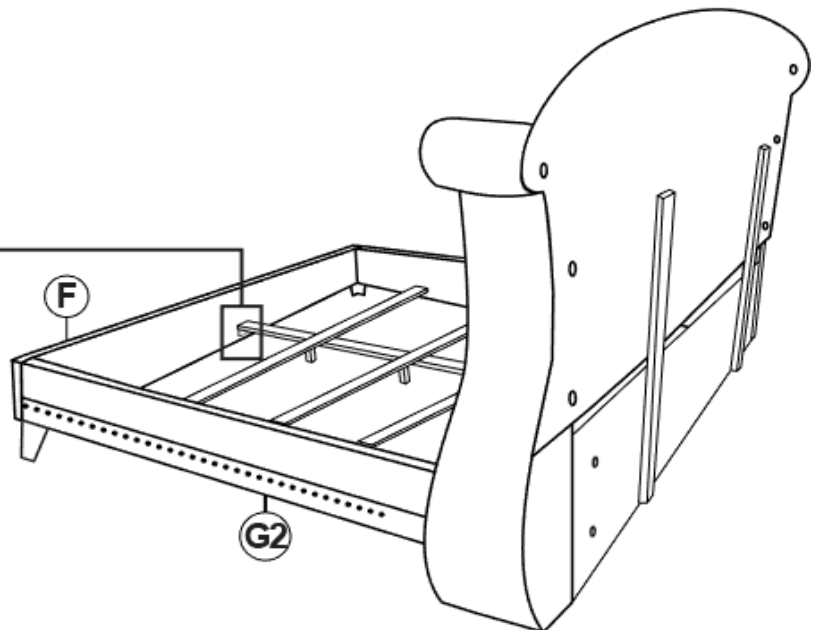
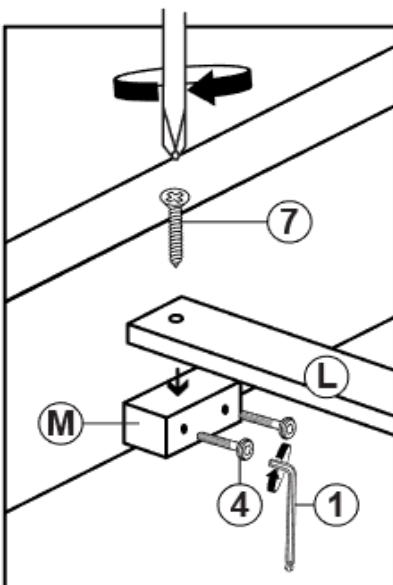
# ITEM: (B1-B3)

## ASSEMBLY INSTRUCTIONS

### STEP 9



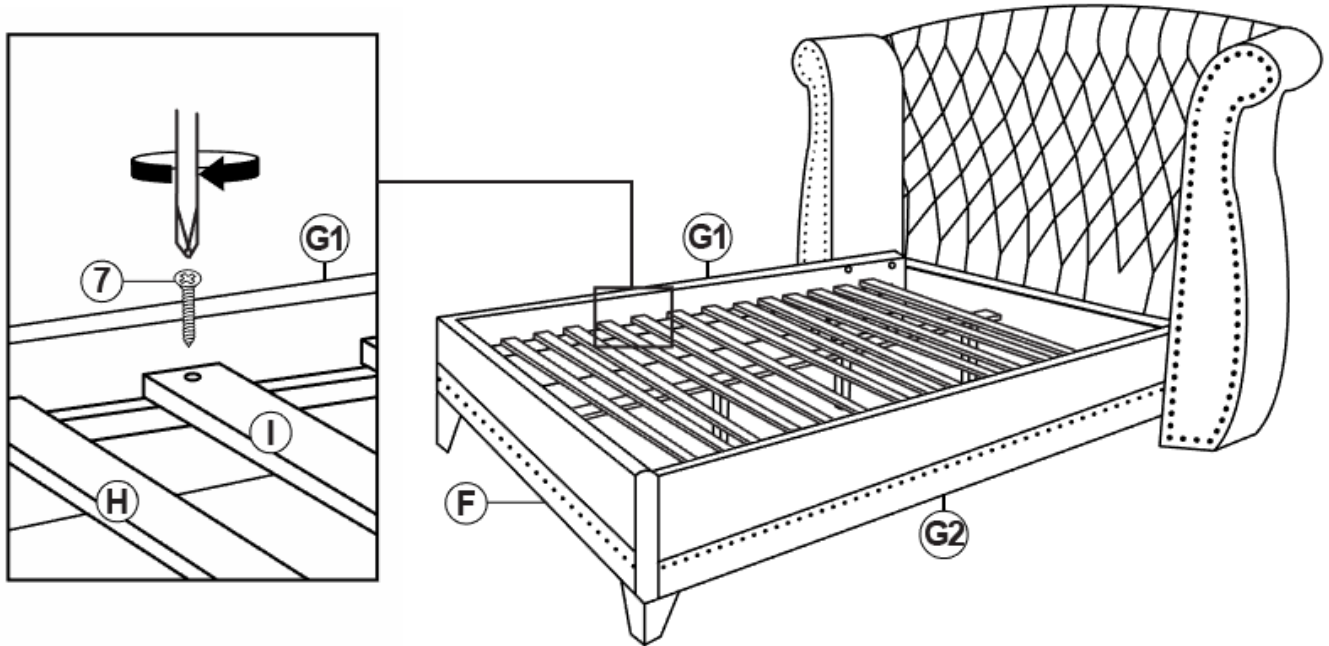
### STEP 10



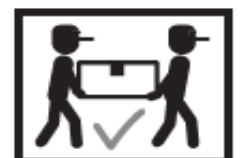
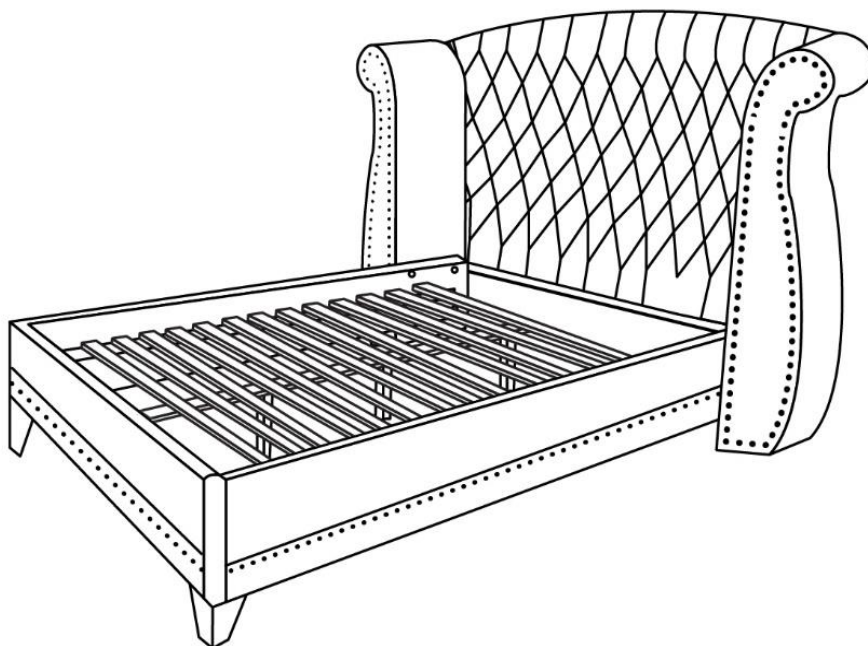
ITEM: **(B1-B3)**

**ASSEMBLY INSTRUCTIONS**

**STEP 11**

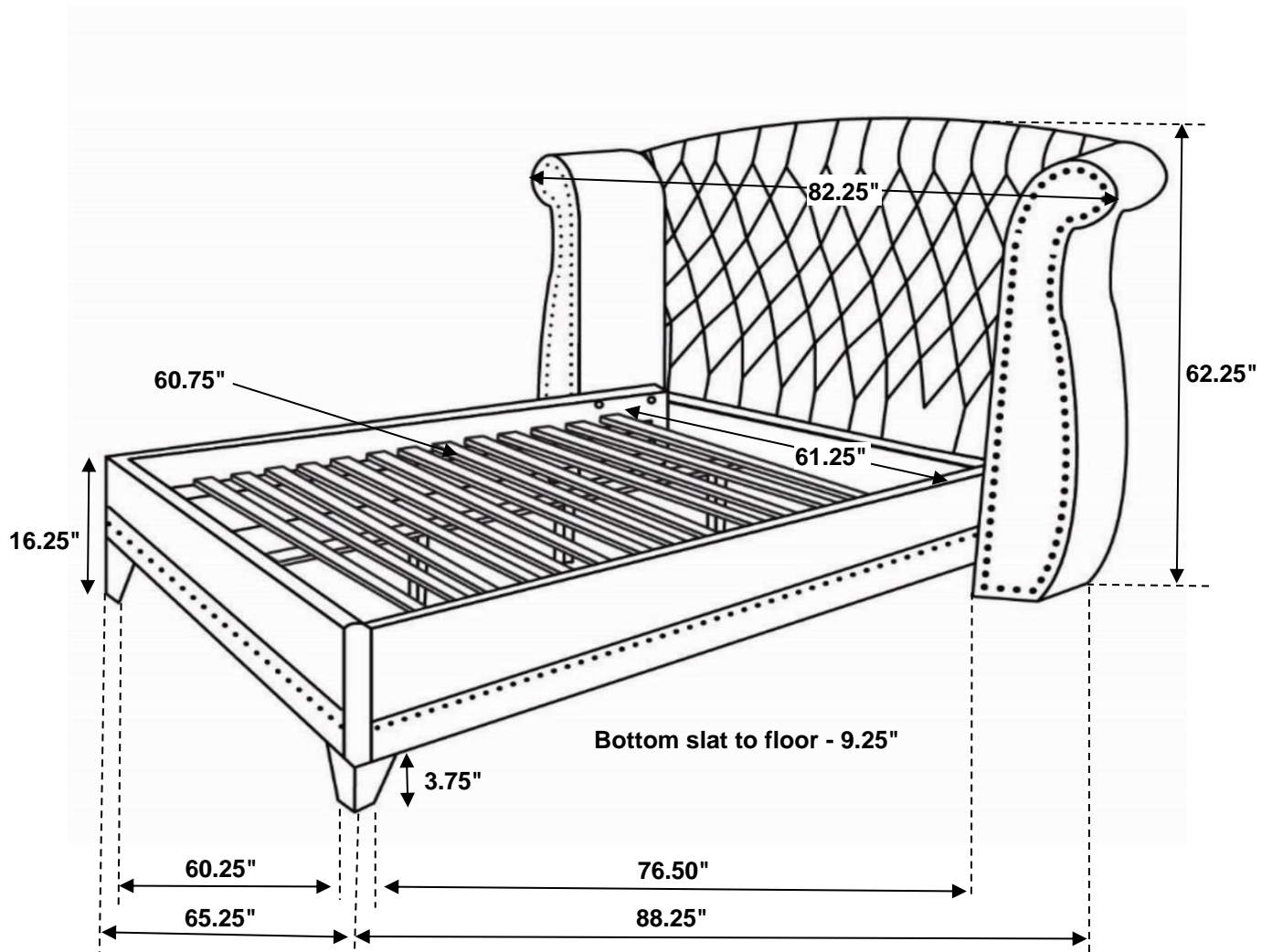


**STEP 12**  
**COMPLETE**



# ITEM: (B1-B3)

Inner Size : 61.25"W x 81.25"D



Note : Dimension tolerance  $\pm 5\%$

# ASSEMBLY INSTRUCTIONS



*Fine Furniture for every stage of life*

**Nightstand**

# ASSEMBLY INSTRUCTIONS

## ASSEMBLY TIPS:

1. Remove hardware from box and sort by size.
2. Please check to see that all hardware and parts are present prior to start of assembly.
3. Please follow attached instructions in the same sequence as numbered to assure fast & easy assembly.



## WARNING!

1. Don't attempt to repair or modify parts that are broken or defective. Please contact the store immediately.
2. This product is for home use only and not intended for commercial establishments.

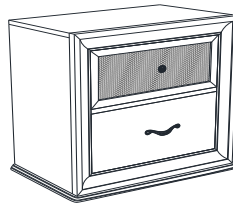


ASSEMBLY TIME

5 MINUTES

## PARTS IDENTIFICATION

A NIGHTSTAND



1PC

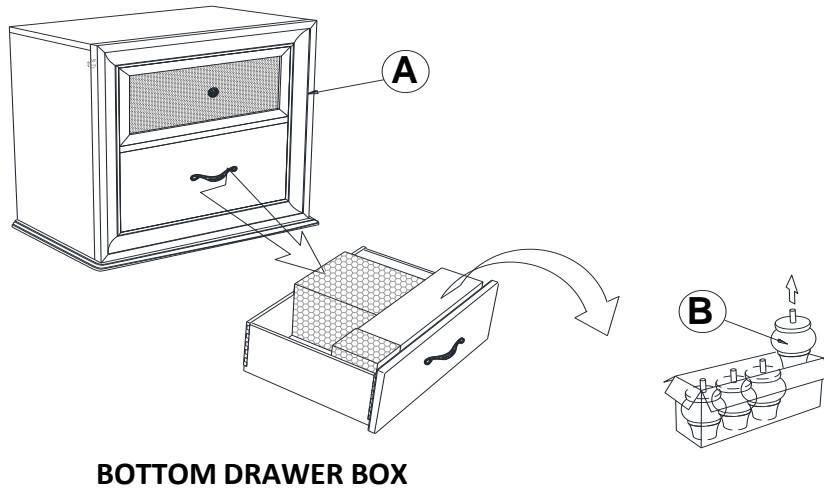
B BUN FOOT



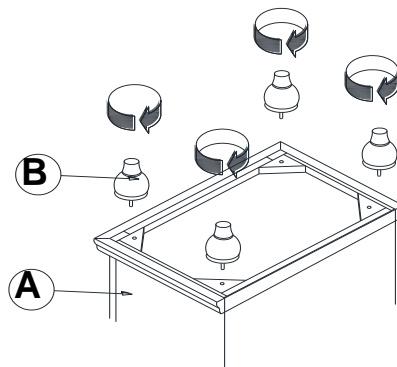
4PCS

# ASSEMBLY INSTRUCTIONS

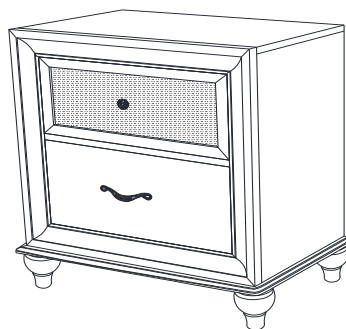
## STEP 1



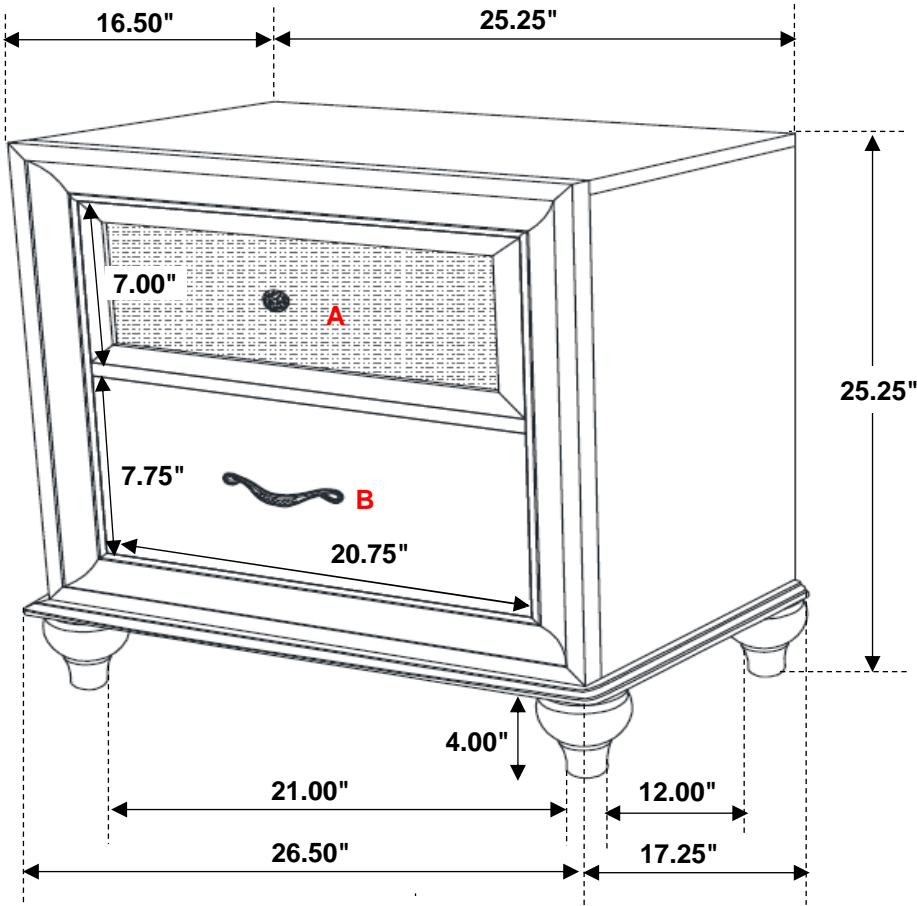
## STEP 2



## STEP 3 **COMPLETE**



Inner Size of Drawer A : 19.00"W X 12.50"D X 5.00"H X 0.25"T  
Inner Size of Drawer B : 19.00"W X 12.50"D X 5.00"H X 0.25"T



Note: Dimension tolerance  $\pm 5\%$

# ASSEMBLY INSTRUCTIONS



*Fine Furniture for every stage of life*

**Dresser**

# ASSEMBLY INSTRUCTIONS

## ASSEMBLY TIPS:

1. Remove hardware from box and sort by size.
2. Please check to see that all hardware and parts are present prior to start of assembly.
3. Please follow attached instructions in the same sequence as numbered to assure fast & easy assembly.



### WARNING!

1. Don't attempt to repair or modify parts that are broken or defective. Please contact the store immediately.
2. This product is for home use only and not intended for commercial establishments.

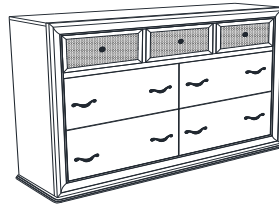


ASSEMBLY TIME

5 MINUTES

## PARTS IDENTIFICATION

A DRESSER



1PC

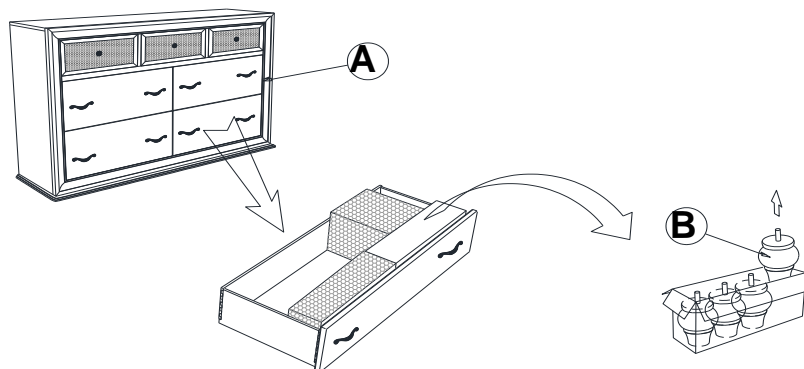
B BUN FOOT



4PCS

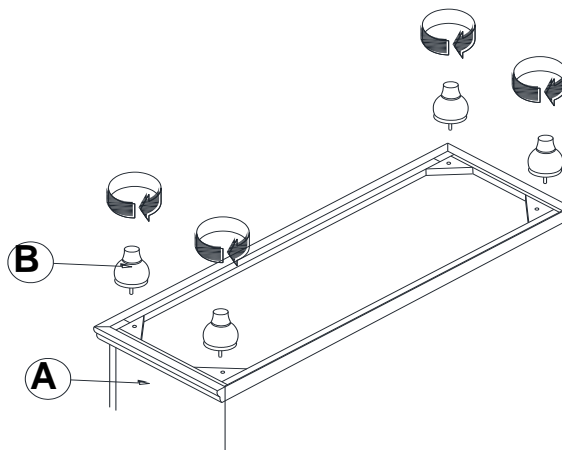
# ASSEMBLY INSTRUCTIONS

## STEP 1



**BOTTOM DRAWER BOX**

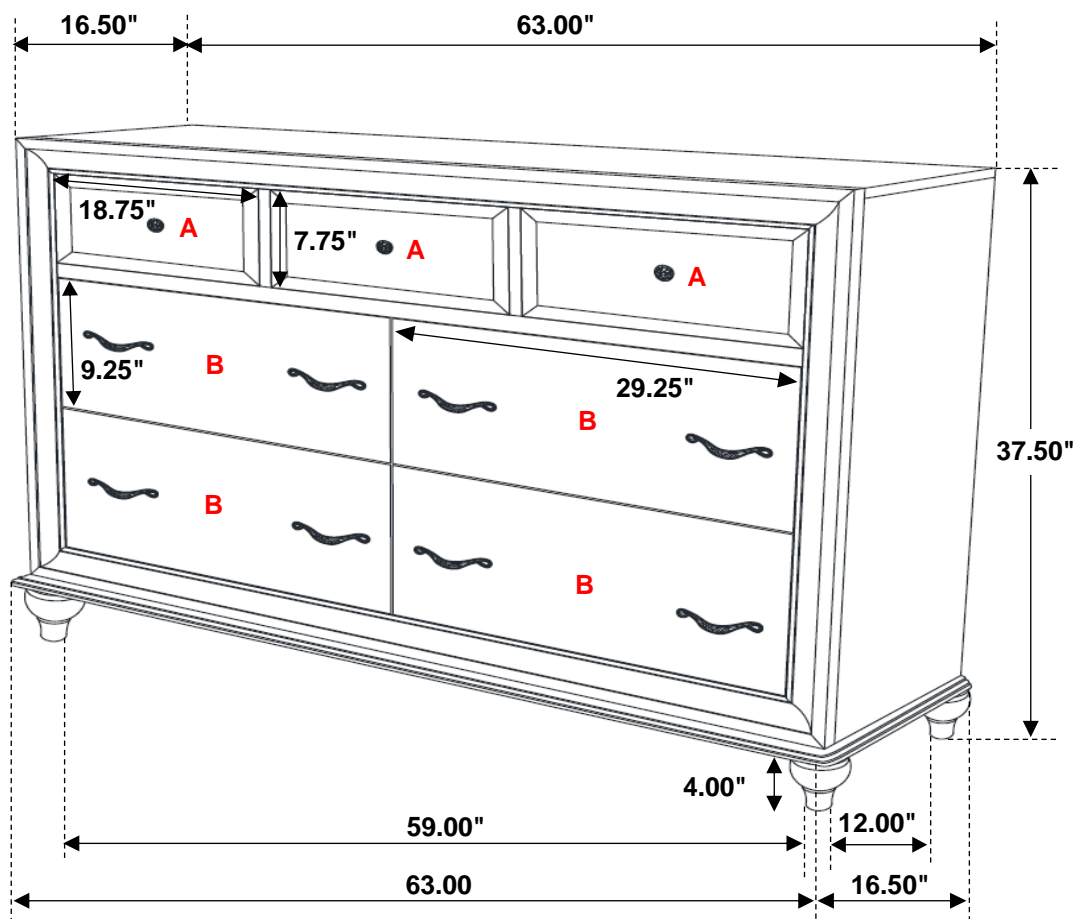
## STEP 2



## STEP 3 **COMPLETE**



Inner Size of Drawer A : 17.00"W X 12.50"D X 5.00"H X 0.25"T  
Inner Size of Drawer B : 27.25"W X 12.50"D X 5.00"H X 0.25"T



Note: Dimension tolerance  $\pm 5\%$

# ASSEMBLY INSTRUCTIONS



*Fine Furniture for every stage of life*

**Mirror**

# ASSEMBLY INSTRUCTIONS

## ASSEMBLY TIPS:

1. Remove hardware from box and sort by size.
2. Please check to see that all hardware and parts are present prior to start of assembly.
3. Please follow attached instructions in the same sequence as numbered to assure fast & easy assembly.



### WARNING!

1. Don't attempt to repair or modify parts that are broken or defective. Please contact the store immediately.
2. This product is for home use only and not intended for commercial establishments.

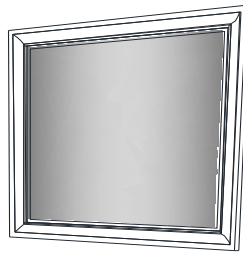


ASSEMBLY TIME

8 MINUTES

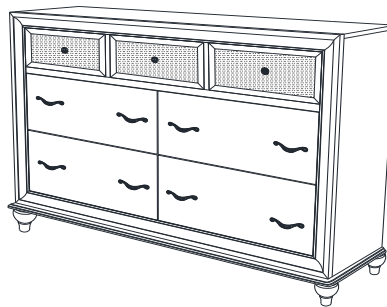
## PARTS IDENTIFICATION

A MIRROR



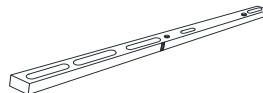
1PC

B DRESSER  
FROM BOX ITEM  
#205893



1PC

C MIRROR SUPPORT  
(PACKED WITH MIRROR)



2PCS

# ASSEMBLY INSTRUCTIONS

## ASSEMBLY TIPS:






1. Remove hardware from box and sort by size.
2. Please check to see that all hardware and parts are present prior to start of assembly.
3. Please follow attached instructions in the same sequence as numbered to assure fast & easy assembly.



## WARNING!

1. Don't attempt to repair or modify parts that are broken or defective. Please contact the store immediately.
2. This product is for home use only and not intended for commercial establishments.

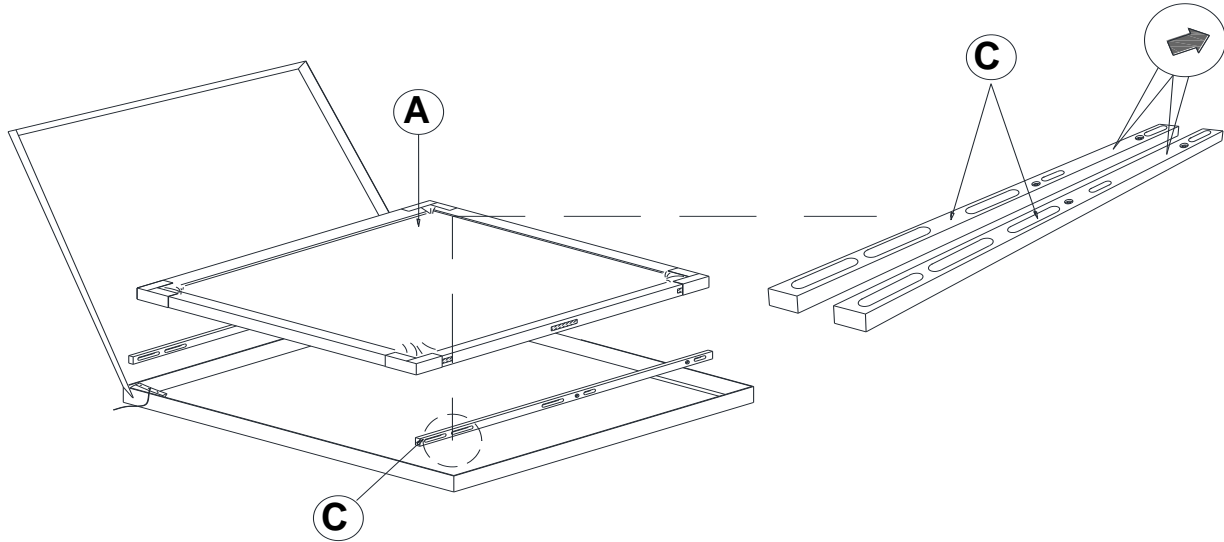
## HARDWARE IDENTIFICATION

|   |                                              |                                                                                      |      |
|---|----------------------------------------------|--------------------------------------------------------------------------------------|------|
| 1 | <b>SHORT BOLT</b><br>(M6 x 35mm - BLK)       |    | 4PCS |
| 2 | <b>LONG BOLT</b><br>(M6 x 40mm - BLK)        |     | 4PCS |
| 3 | <b>LOCK WASHER</b><br>(1/4" - BLK)           |    | 8PCS |
| 4 | <b>FLAT WASHER</b><br>(1/4" ID x 19mm - BLK) |   | 8PCS |
| 5 | <b>ALLEN WRENCH</b><br>(M4 x 60mm - BLK)     |  | 1PC  |

# ASSEMBLY INSTRUCTIONS

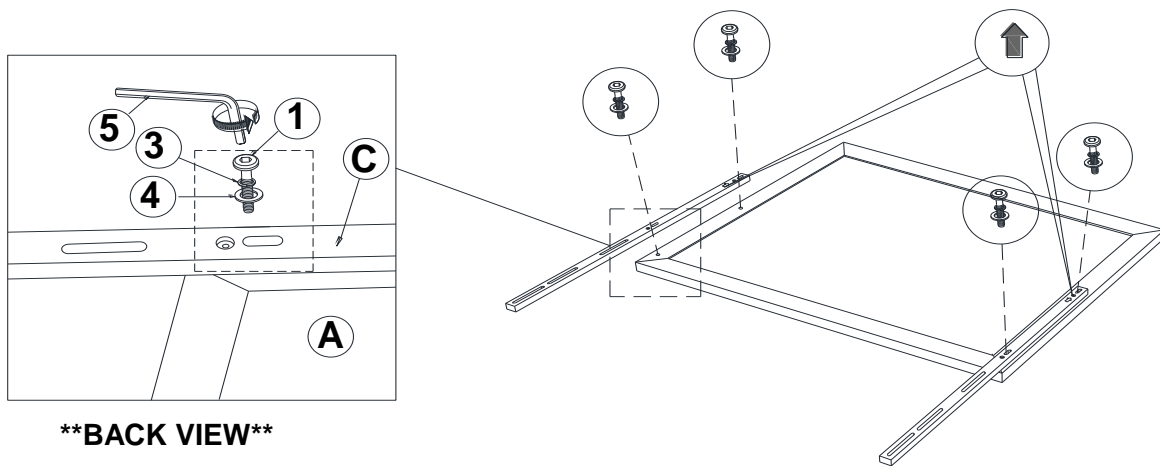
## STEP 1

ARROW MARKING FACE UPWARD



## STEP 2

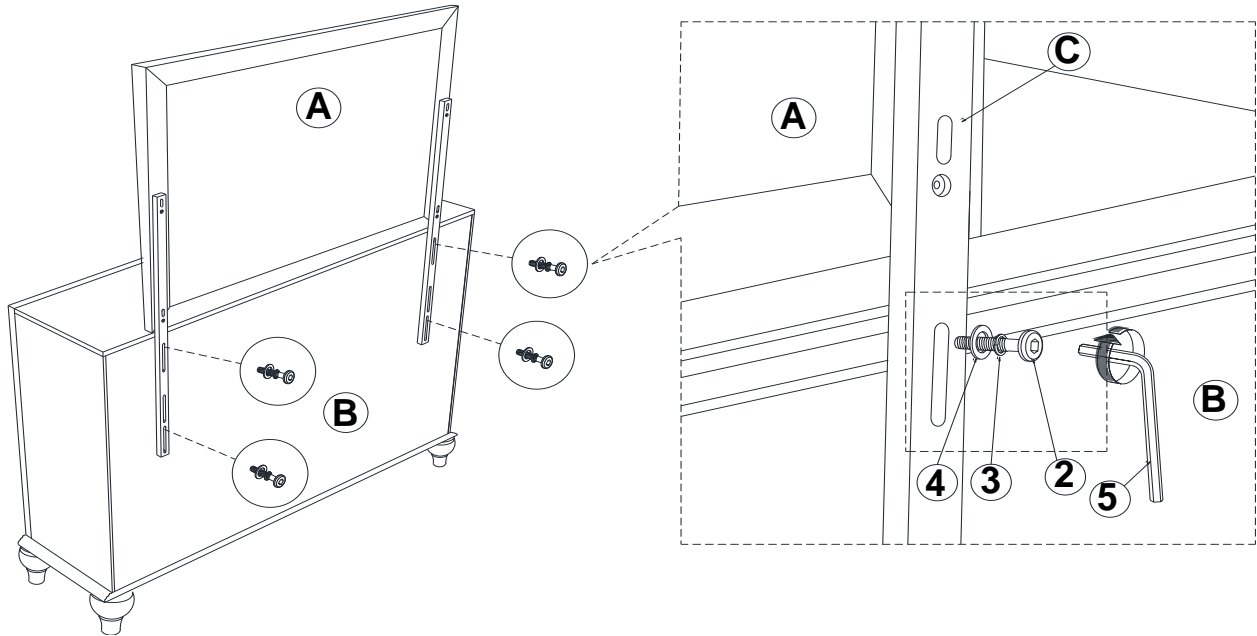
ARROW MARKING FACE UPWARD



**\*\*BACK VIEW\*\***

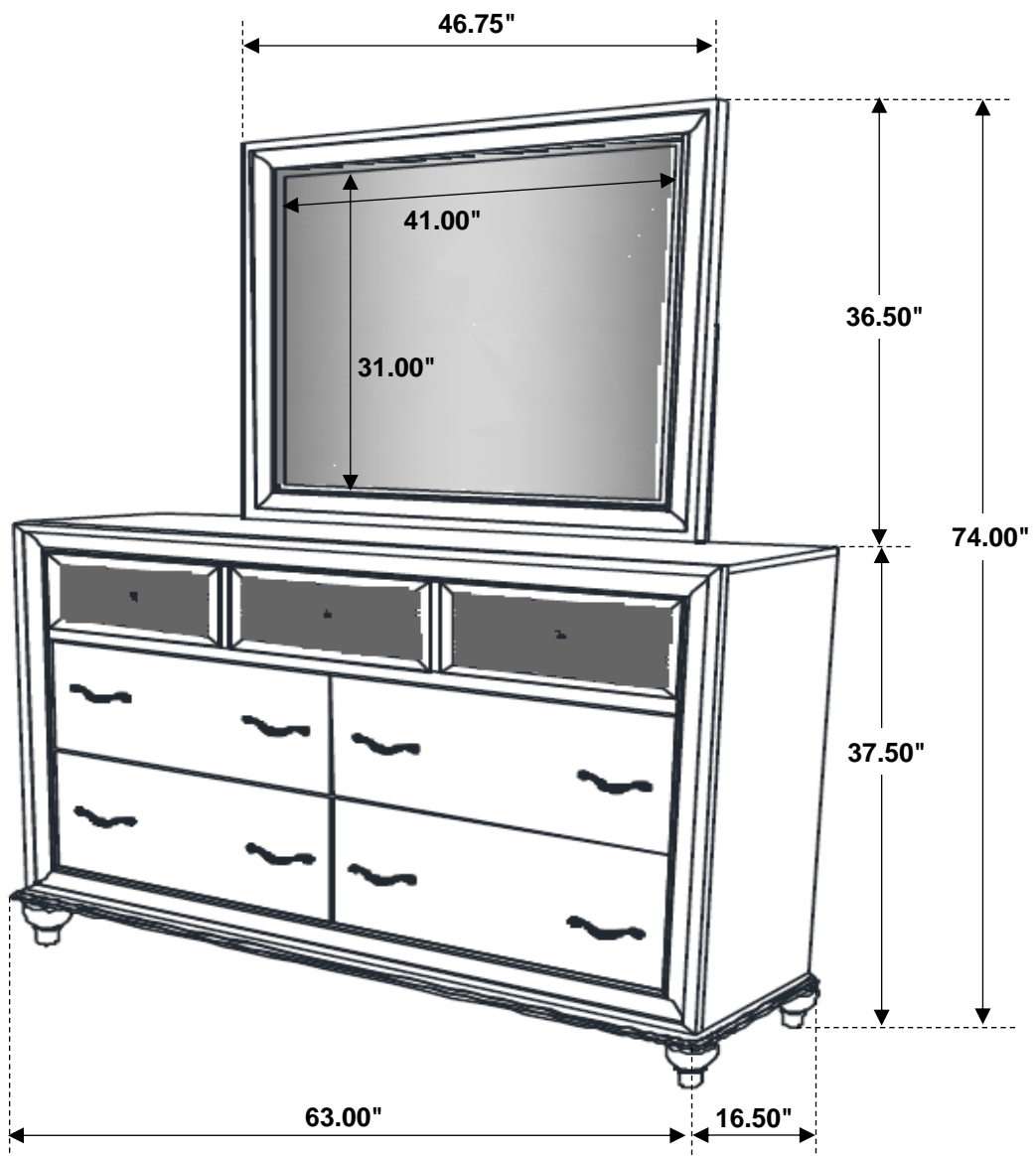
# ASSEMBLY INSTRUCTIONS

## STEP 3



## STEP 4 COMPLETE





Note: Dimension tolerance  $\pm 5\%$

# ASSEMBLY INSTRUCTIONS



*Fine Furniture for every stage of life*

**Chest**

# ASSEMBLY INSTRUCTIONS

## ASSEMBLY TIPS:

1. Remove hardware from box and sort by size.
2. Please check to see that all hardware and parts are present prior to start of assembly.
3. Please follow attached instructions in the same sequence as numbered to assure fast & easy assembly.



### WARNING!

1. Don't attempt to repair or modify parts that are broken or defective. Please contact the store immediately.
2. This product is for home use only and not intended for commercial establishments.

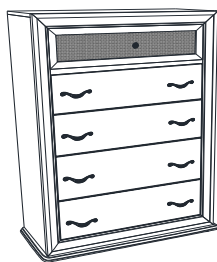


ASSEMBLY TIME

5 MINUTES

## PARTS IDENTIFICATION

A CHEST



1PC

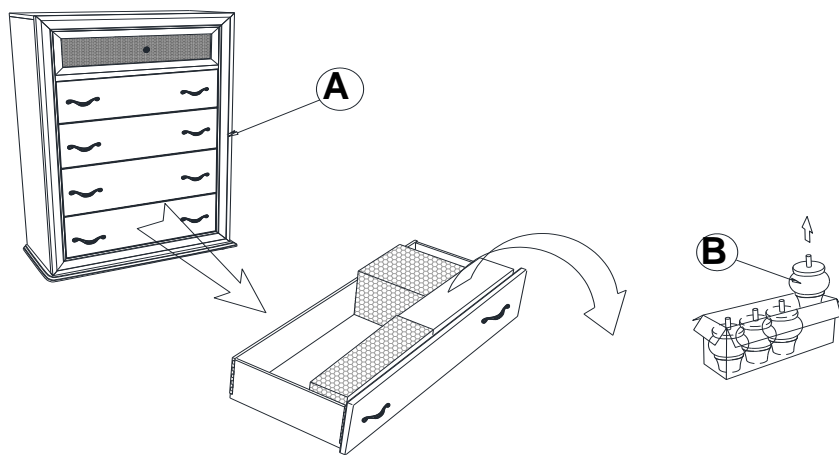
B BUN FOOT



4PCS

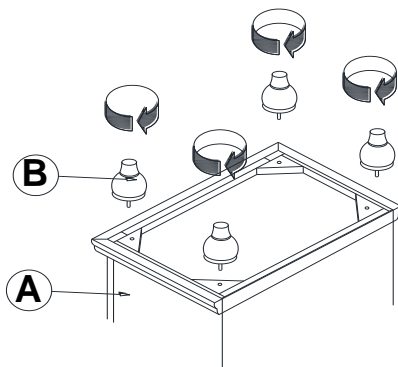
# ASSEMBLY INSTRUCTIONS

## STEP 1



**BOTTOM DRAWER BOX**

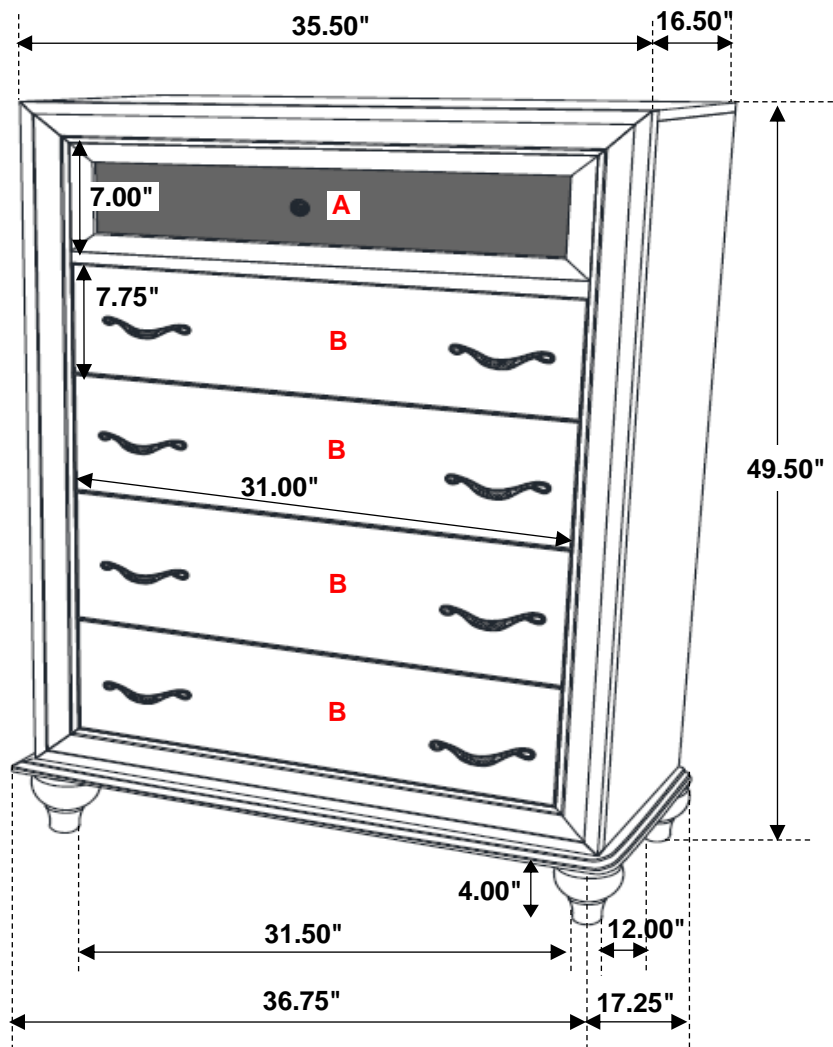
## STEP 2



## STEP 3 **COMPLETE**



Inner Size of Drawer A : 28.75"W X 12.50"D X 5.00"H X 0.25"T  
Inner Size of Drawer B : 28.75"W X 12.50"D X 5.00"H X 0.25"T



Note: Dimension tolerance  $\pm 5\%$