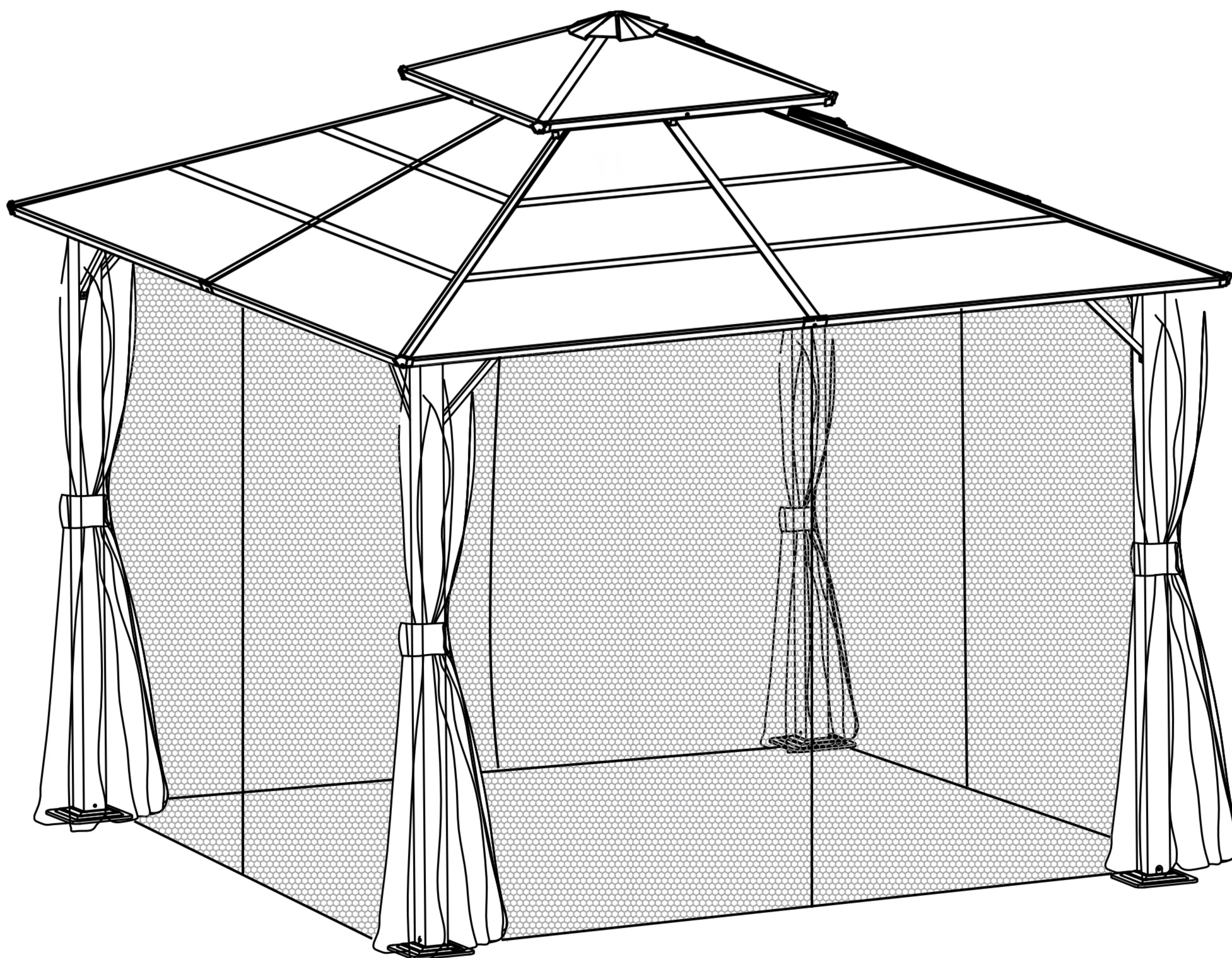


PC Roof
Iron Gazebo

12X12FT

SKU:B-PYSS24-G034-1
B-PYSS24-G034-2
B-PYSS24-G034-3
B-PYSS24-G034-4

ASSEMBLY INSTRUCTIONS



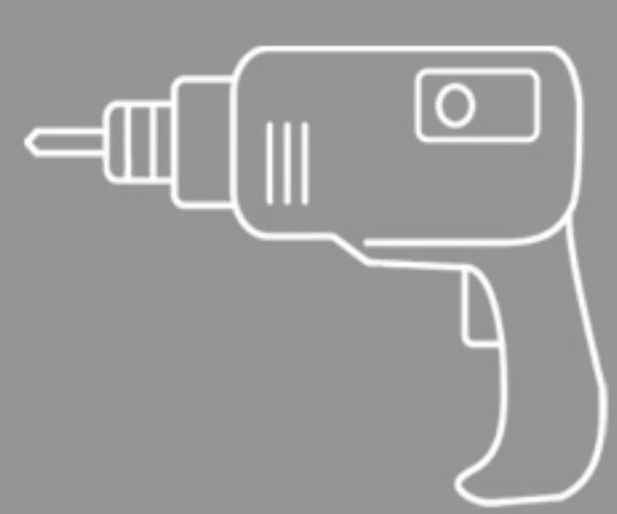
Please check the number of parts in the following accessory catalogue when unpacking. We have sent you more small parts for spare. If there is any missing or any questions about the installation. Please feel free to contact us. We will reply within 24 hours.



E-mail: cs.helper01@gmail.com

TOOLS RECOMMENDED

*NOTE: The recommended tools are not included in boxes and need to be prepared by yourself.



DRILL



RUBBER Mallet



STEPLADDER
(6.5Ft Or More)



SAFETY HAT



GLOVES



SAFETY GOGGLES

ATTENTIONS



Two or more people are required for assembly



To better align the screws for practical situations, do not fully tighten screws initially



Please reinforced the Gazebo and do not use in heavy winds or inclement weather



Make sure all screws are tightened before use and check all screws, buckles and straps every 90 days



Since it is easy to lose many small accessories during the installation, please collect all the the screw accessories before the assembly is completed

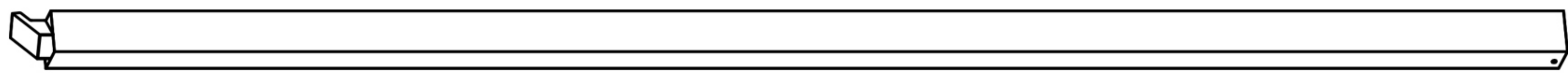

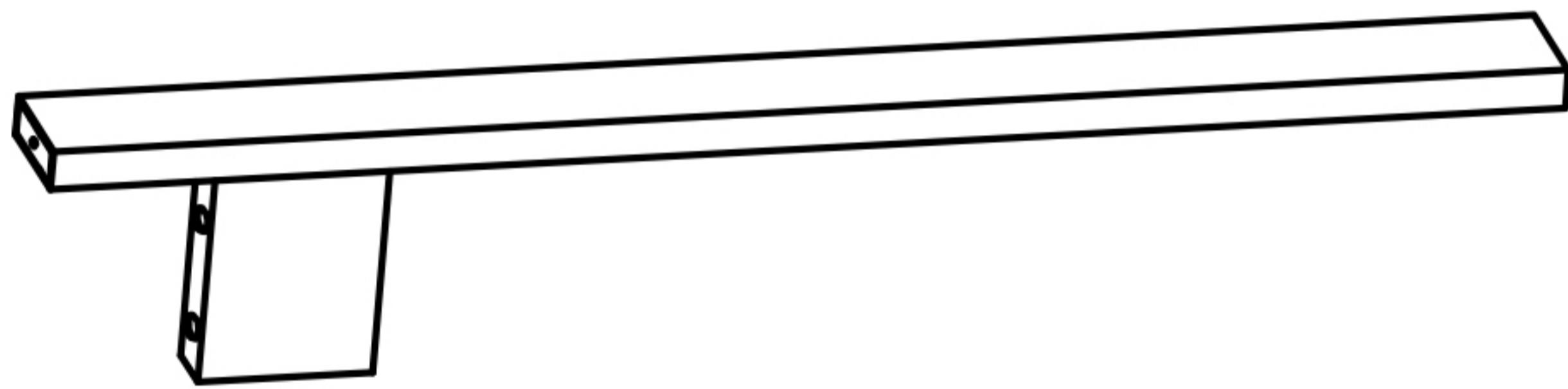
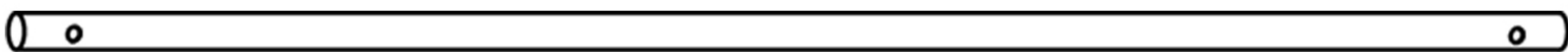
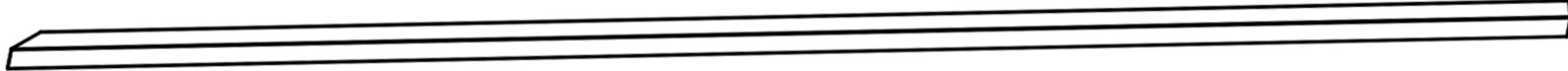

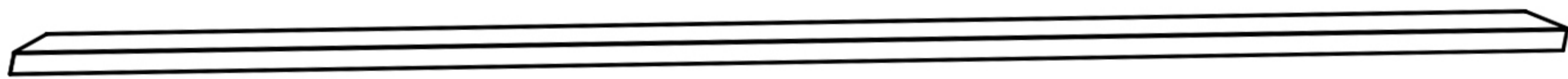
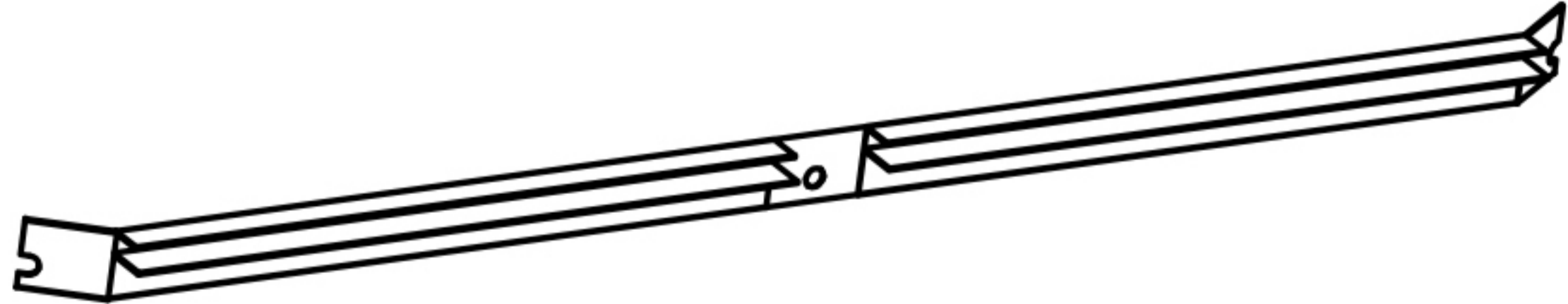


Please clear the snow off the roof in time for the heavy snowfall and do not use it

ACCESSORY CATALOGUE

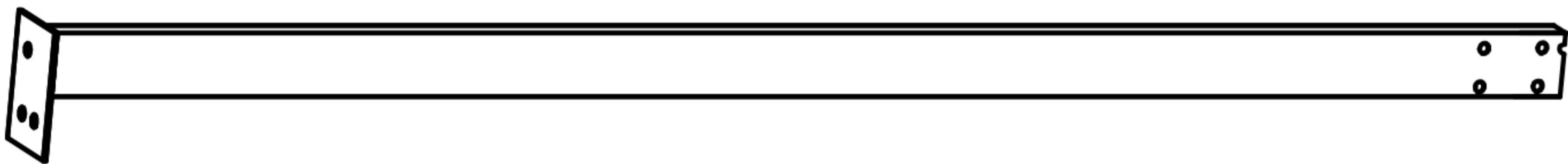
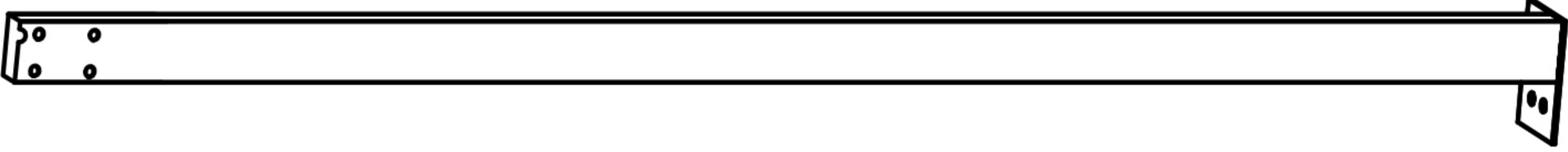


BOX 1

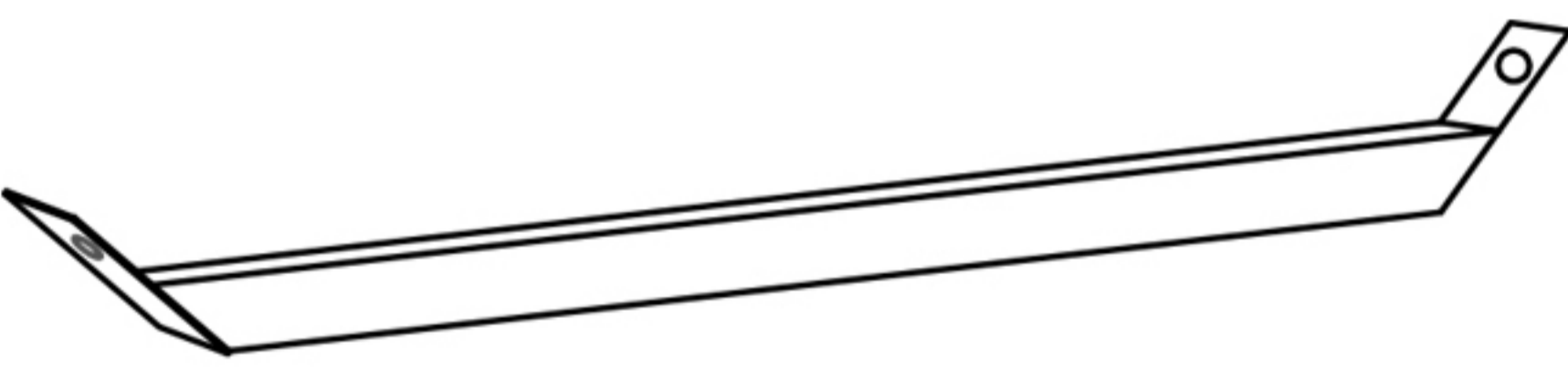
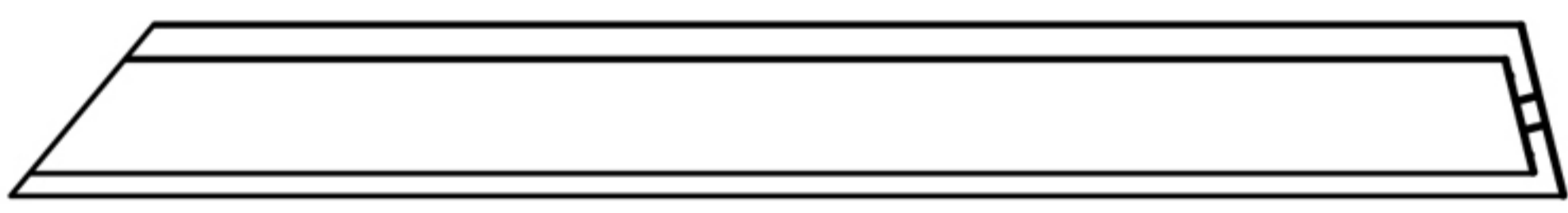

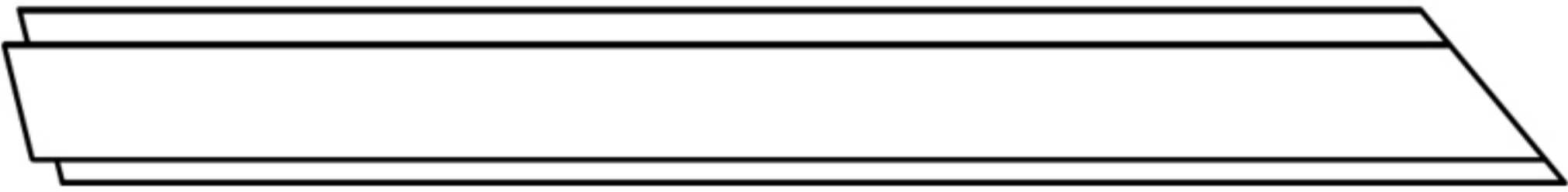
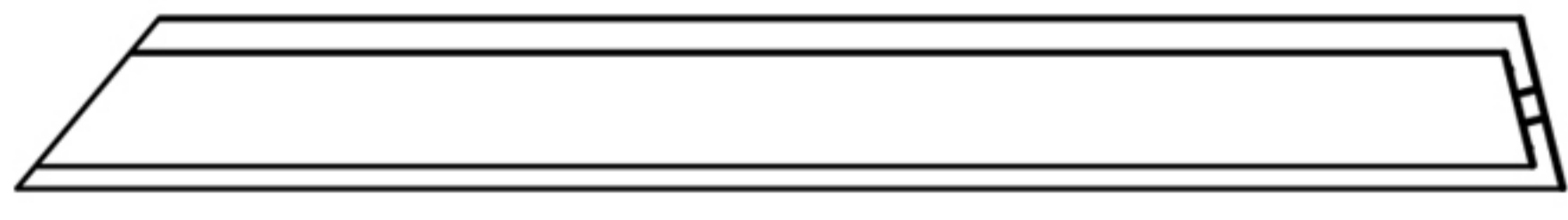
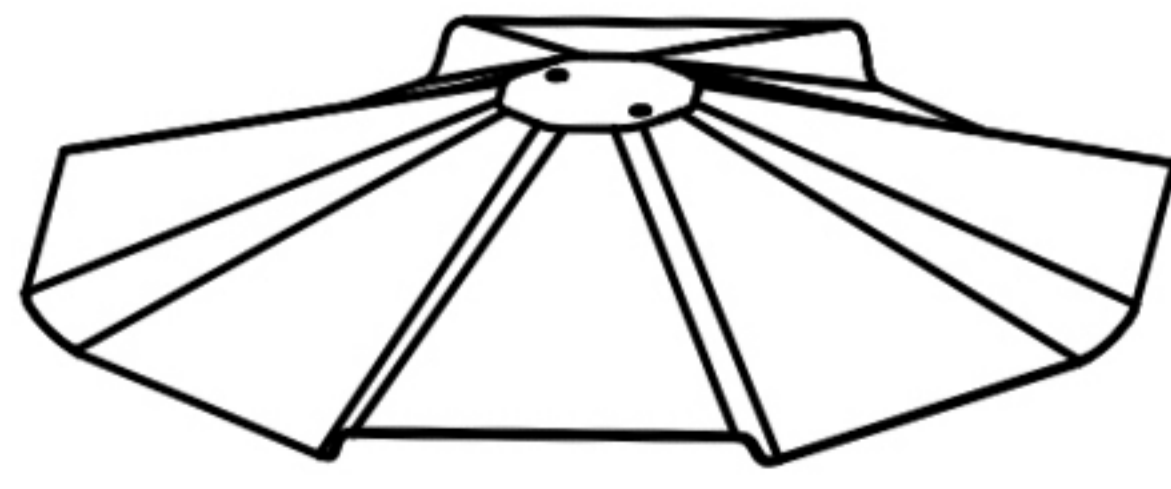
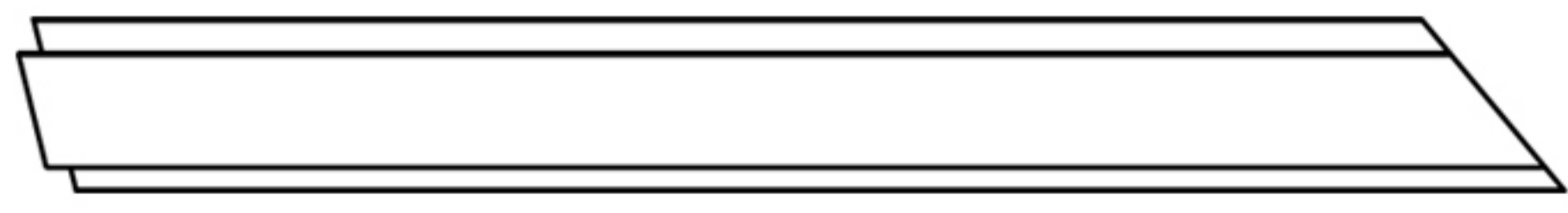
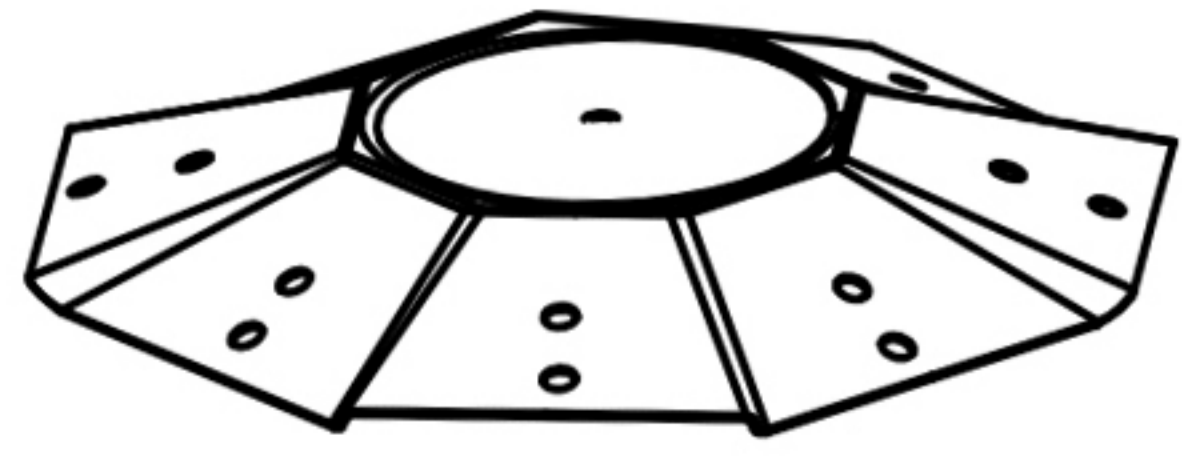
SKU:B-PYSS24-G034-1

Item no.	Reference Image	Qty.
A		4
D		4
D1		4
J		16
G		4
G1		4
G2		4
G3		4

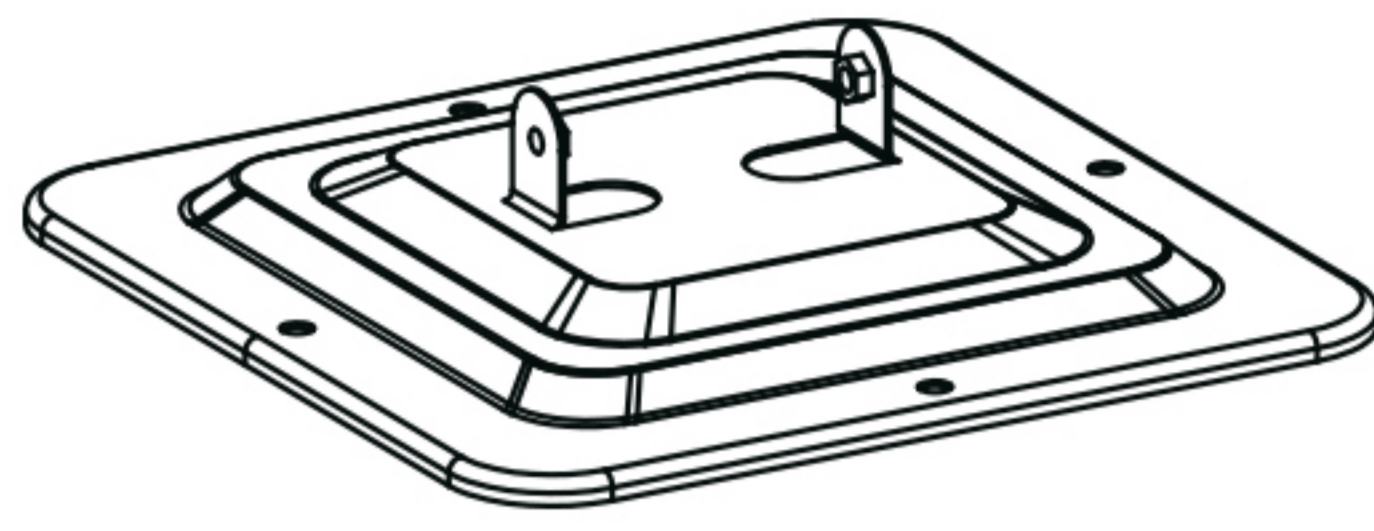
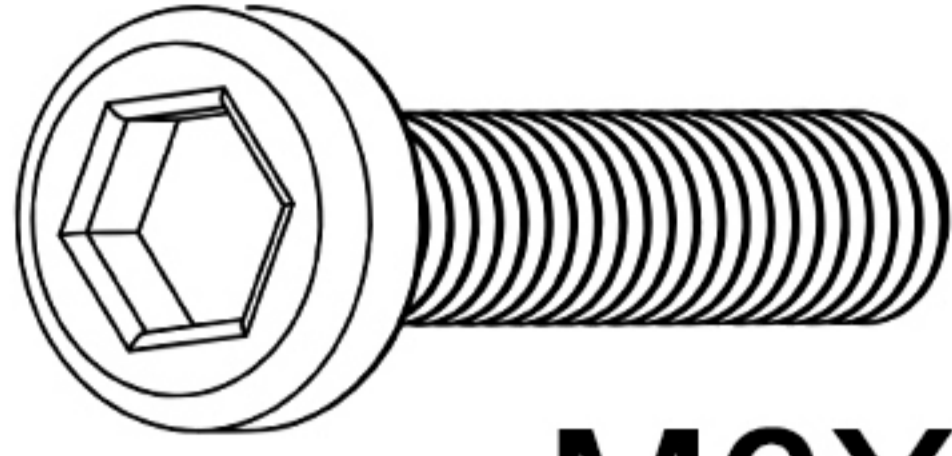
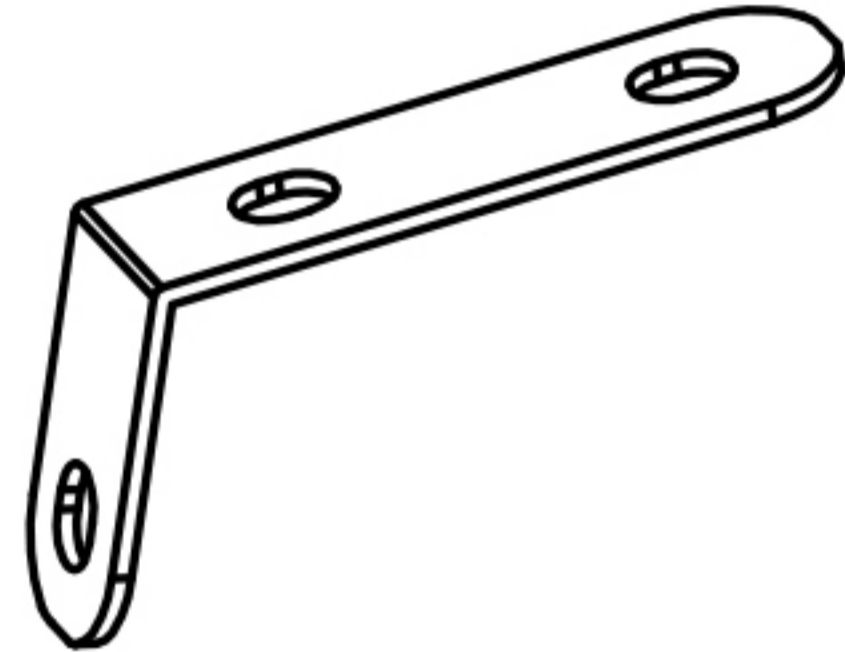
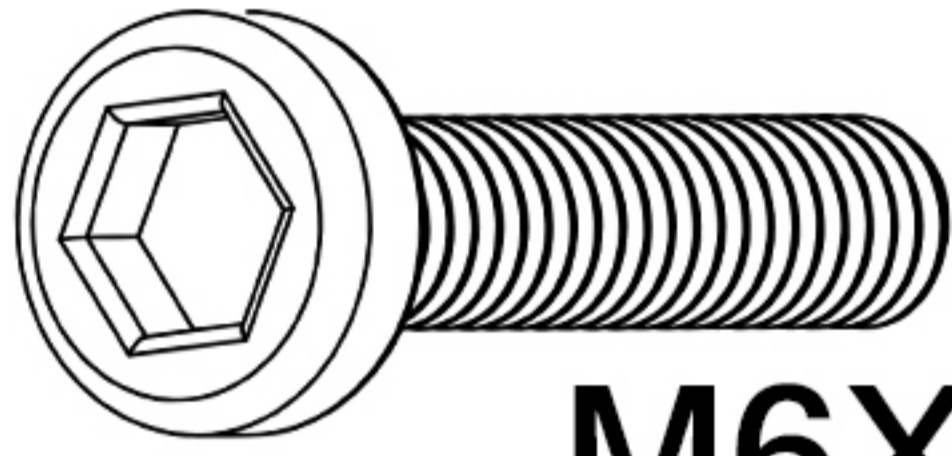
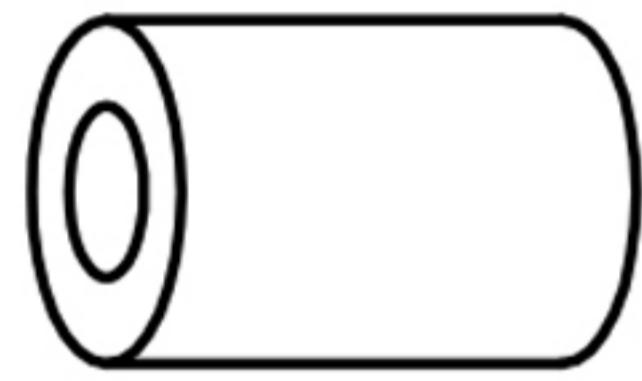
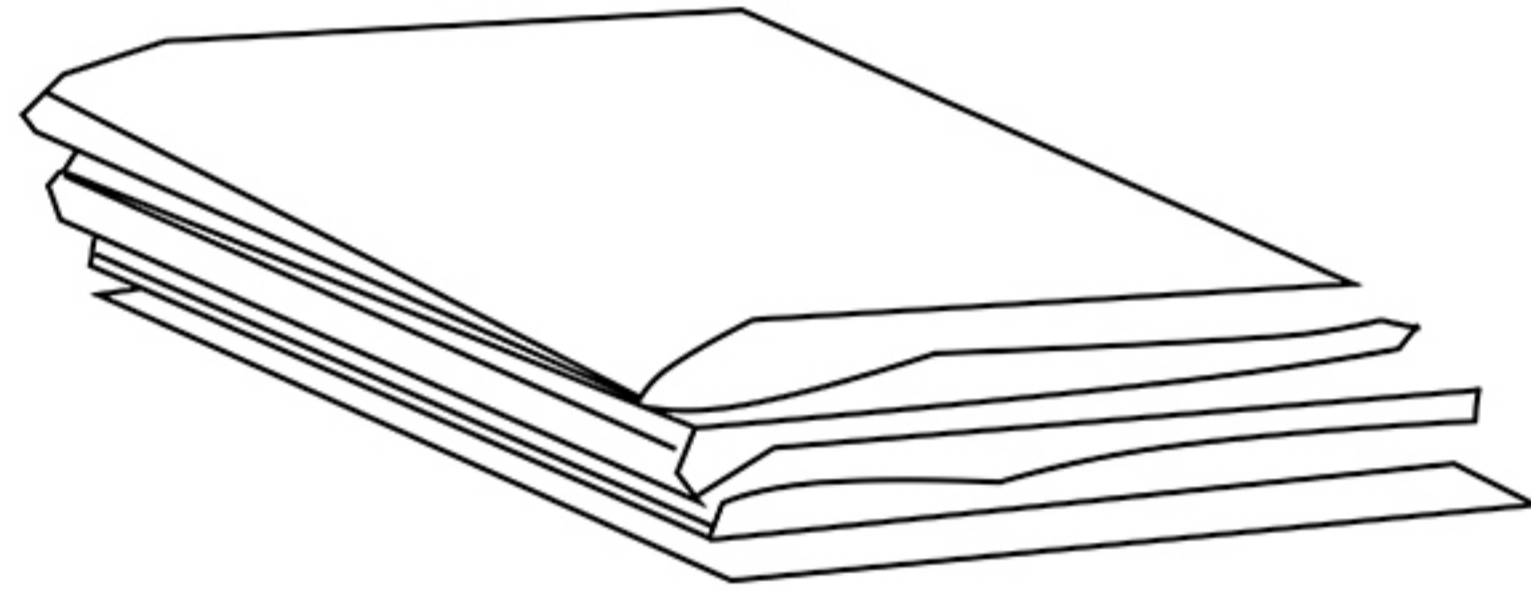
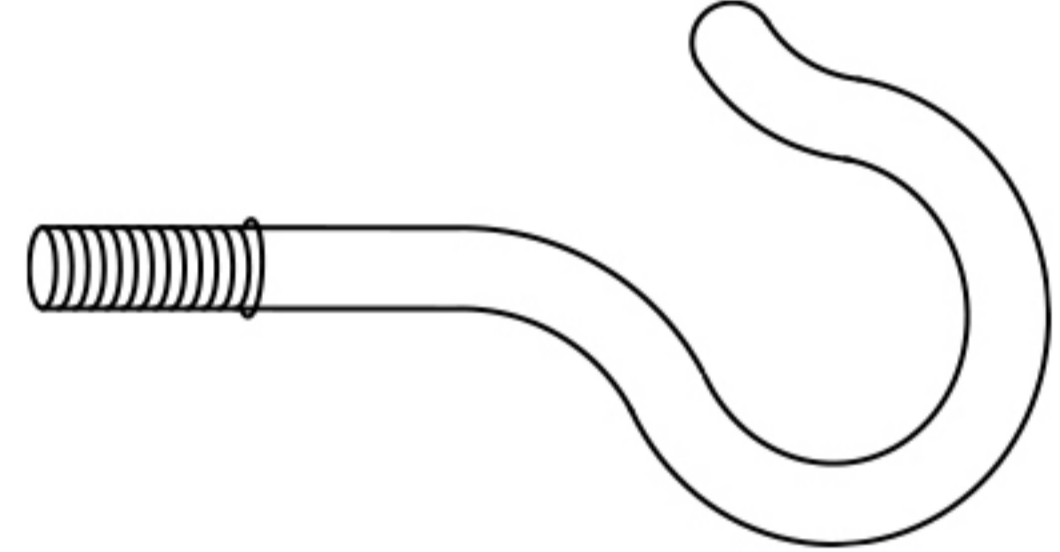
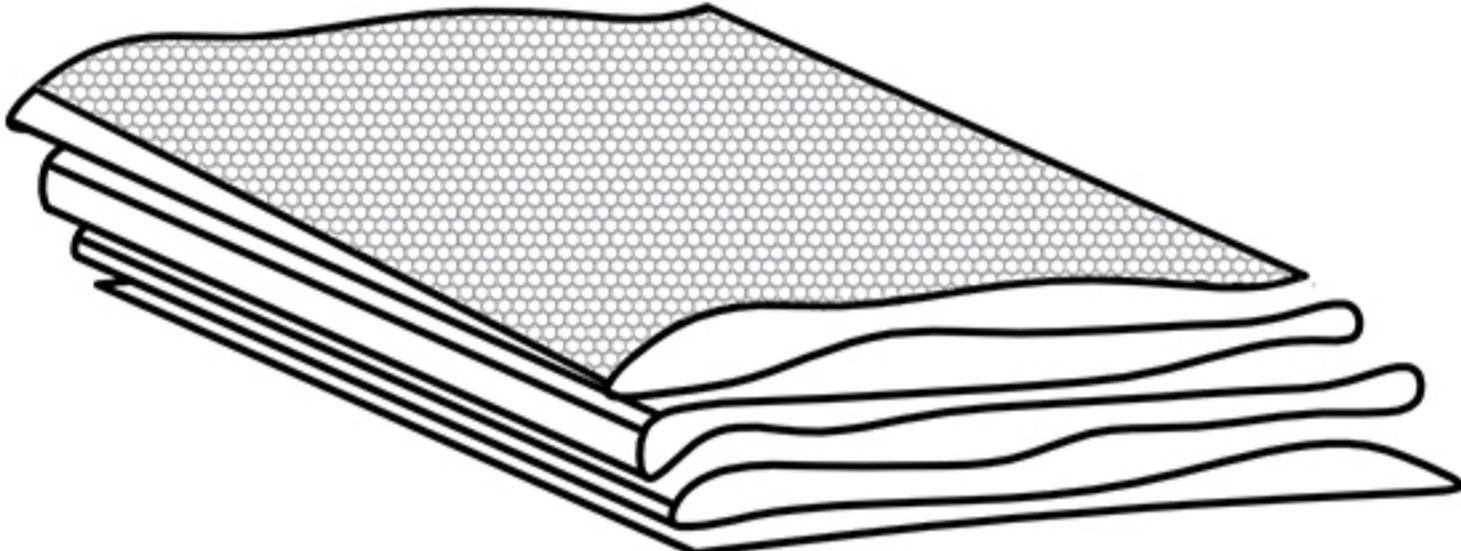
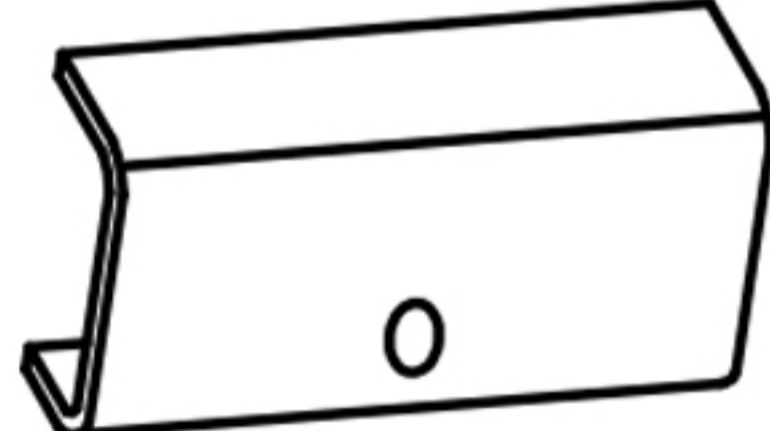
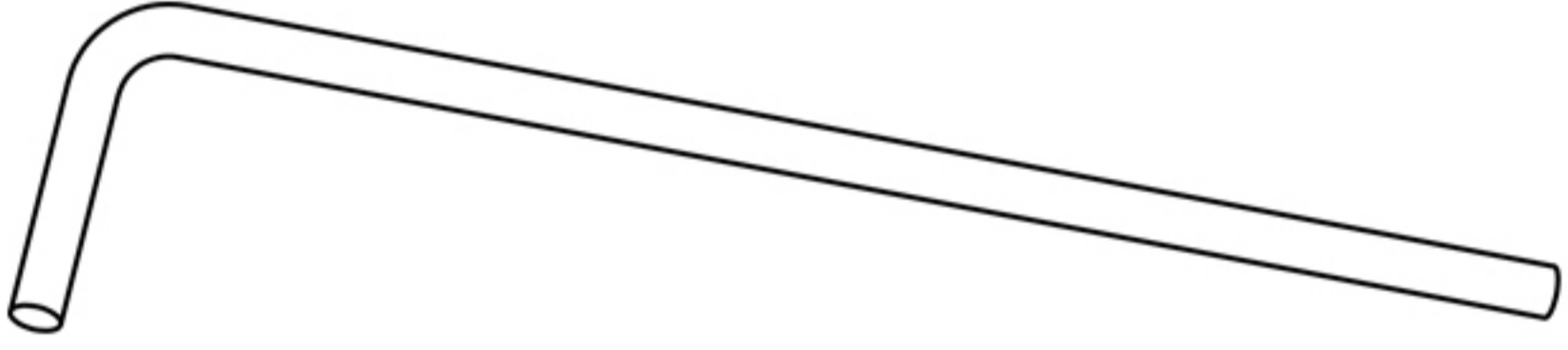
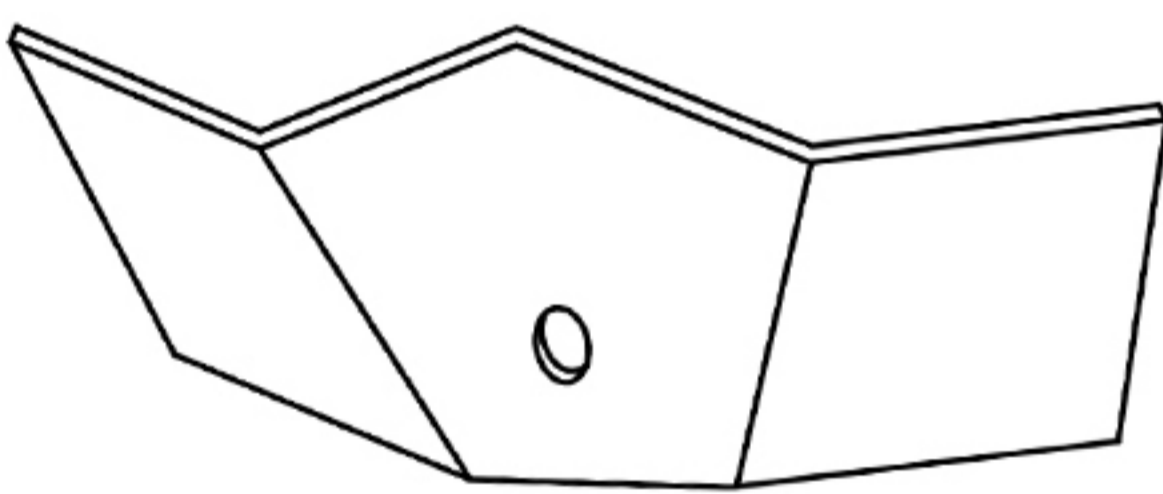
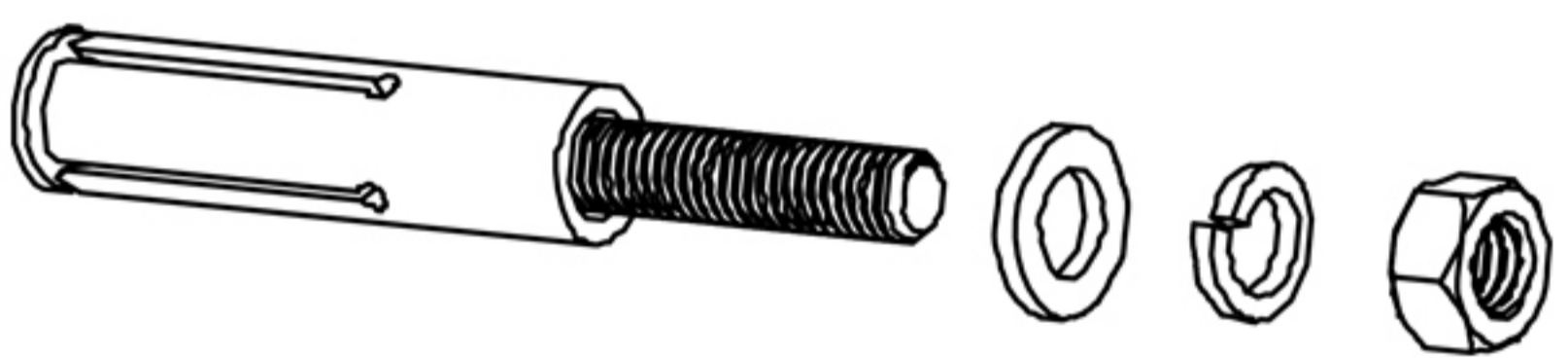
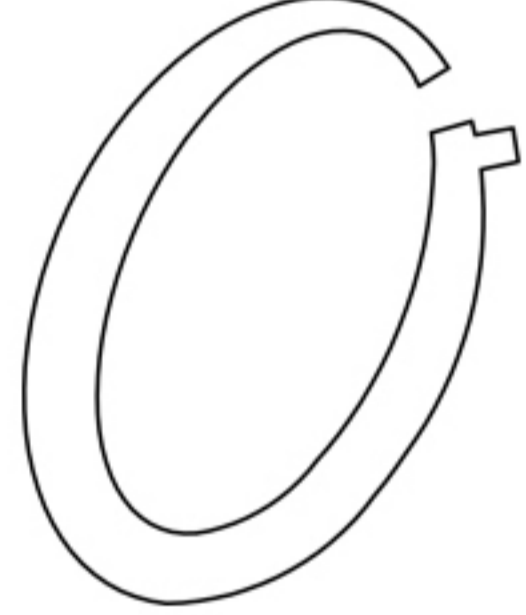

ACCESSORY CATALOGUE

BOX 2 SKU:B-PYSS24-G034-2

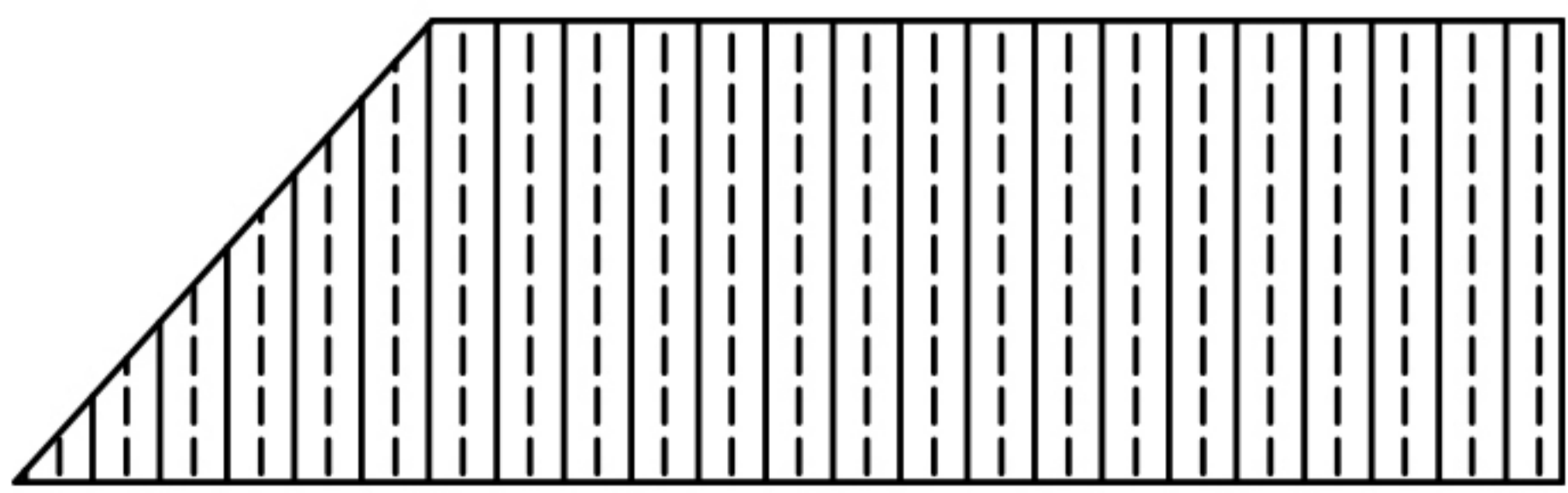
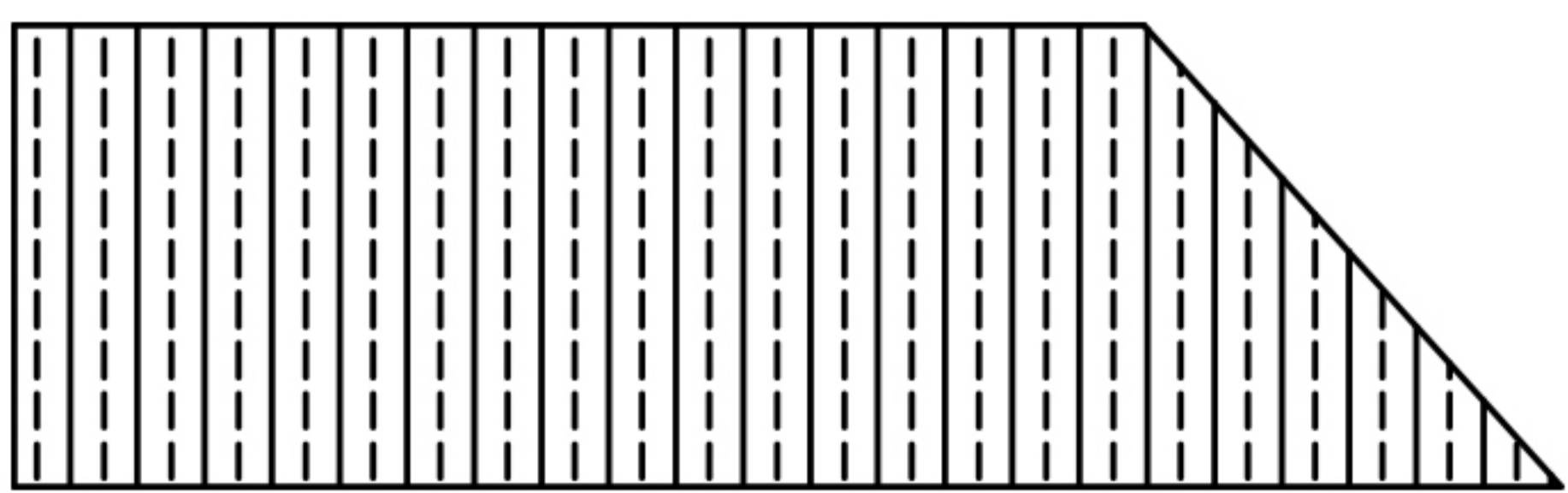
Item no.	Reference Image	Qty.
C		4
C1		4
E		4
E1		4

Item no.	Reference Image	Qty.	Item no.	Reference Image	Qty.
F		8	H2		4
P		4	H3		4
H		4	K		1
H1		4	K1		1

ACCESSORY CATALOGUE

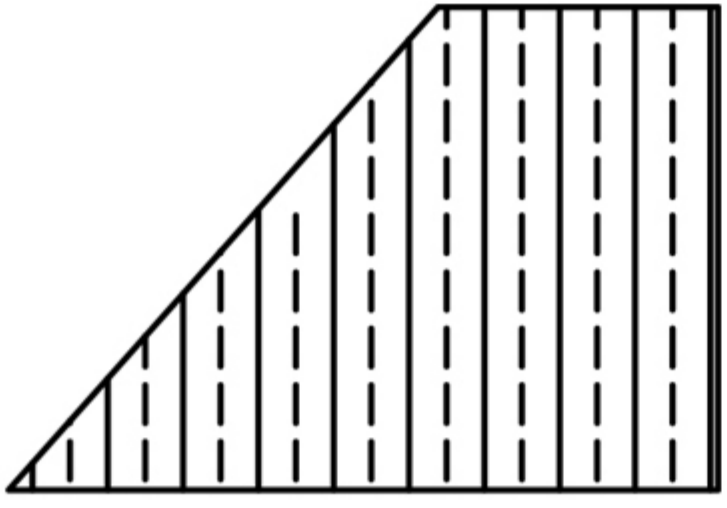
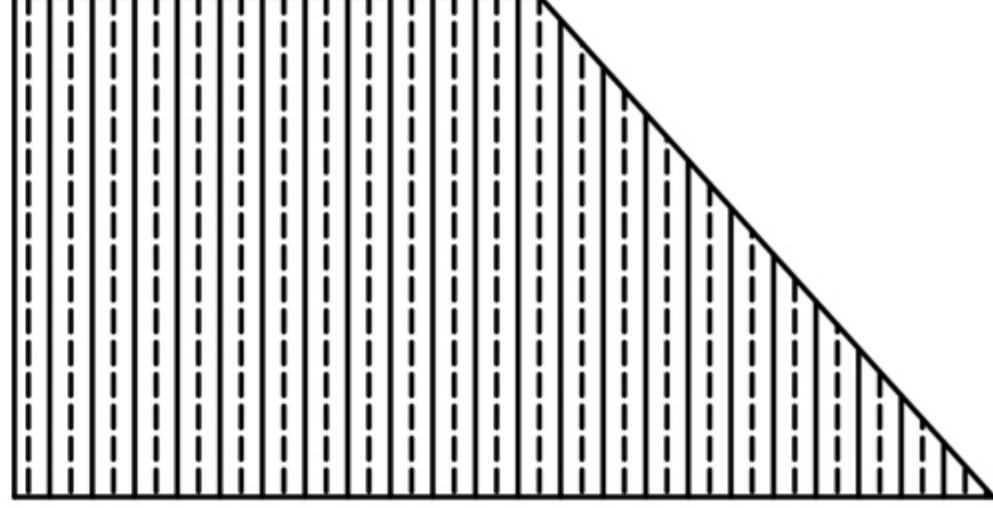
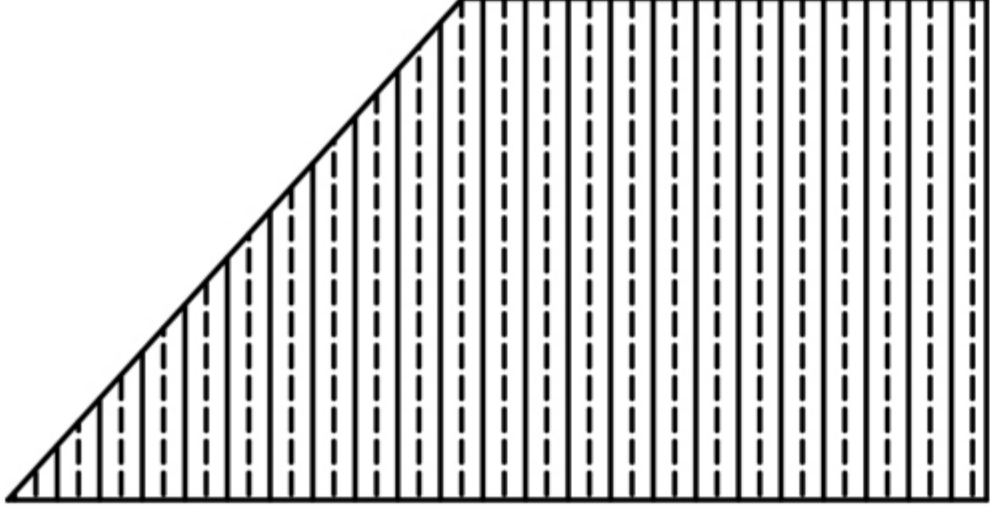
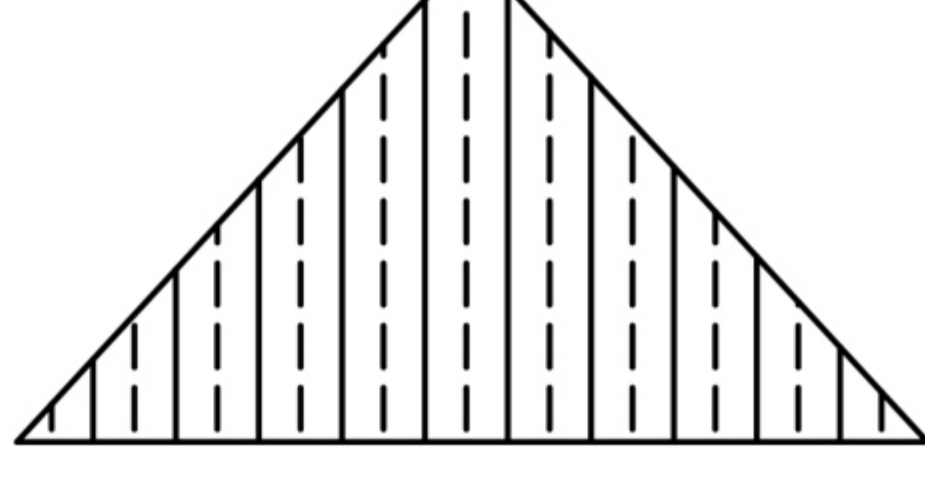
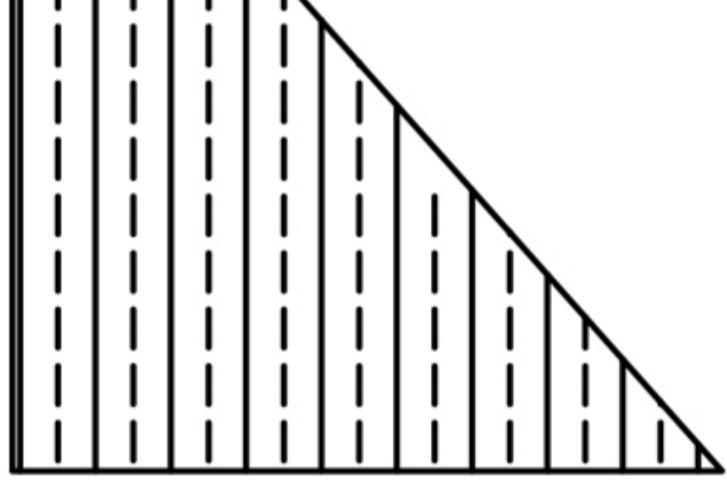
Item no.	Reference Image	Qty.	Item no.	Reference Image	Qty.
L		4	X1	 M6X15mm	168
M2		4	X2	 M6X70mm	16
M6		32	Z		1
M7		1	Z1		1
M8		4	Z2		8
M9		8	Z3		8
Q		80	1		1

BOX 3 SKU:B-PYSS24-G034-3

Item no.	Reference Image	Qty.	Item no.	Reference Image	Qty.
Y3		4	Y6		4

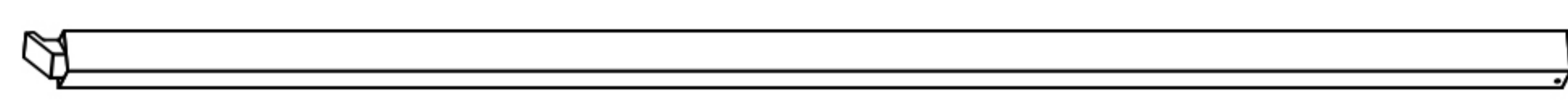
ACCESSORY CATALOGUE

BOX 4 SKU:B-PYSS24-G034-4

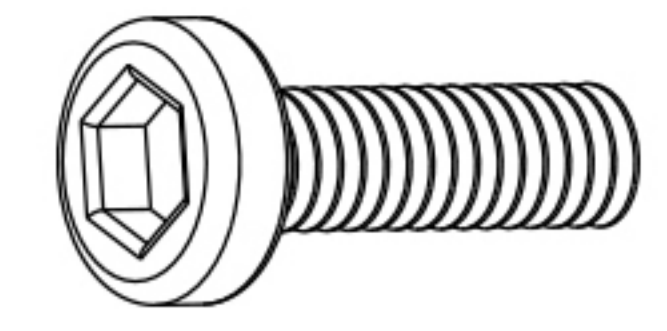
Item no.	Reference Image	Qty.	Item no.	Reference Image	Qty.
Y1		4	Y5		4
Y2		4	Y7		4
Y4		4			

STEP 1

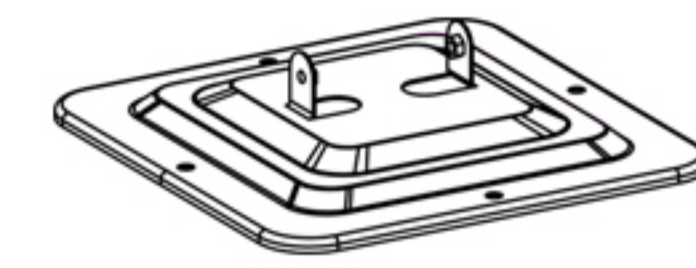
Parts required



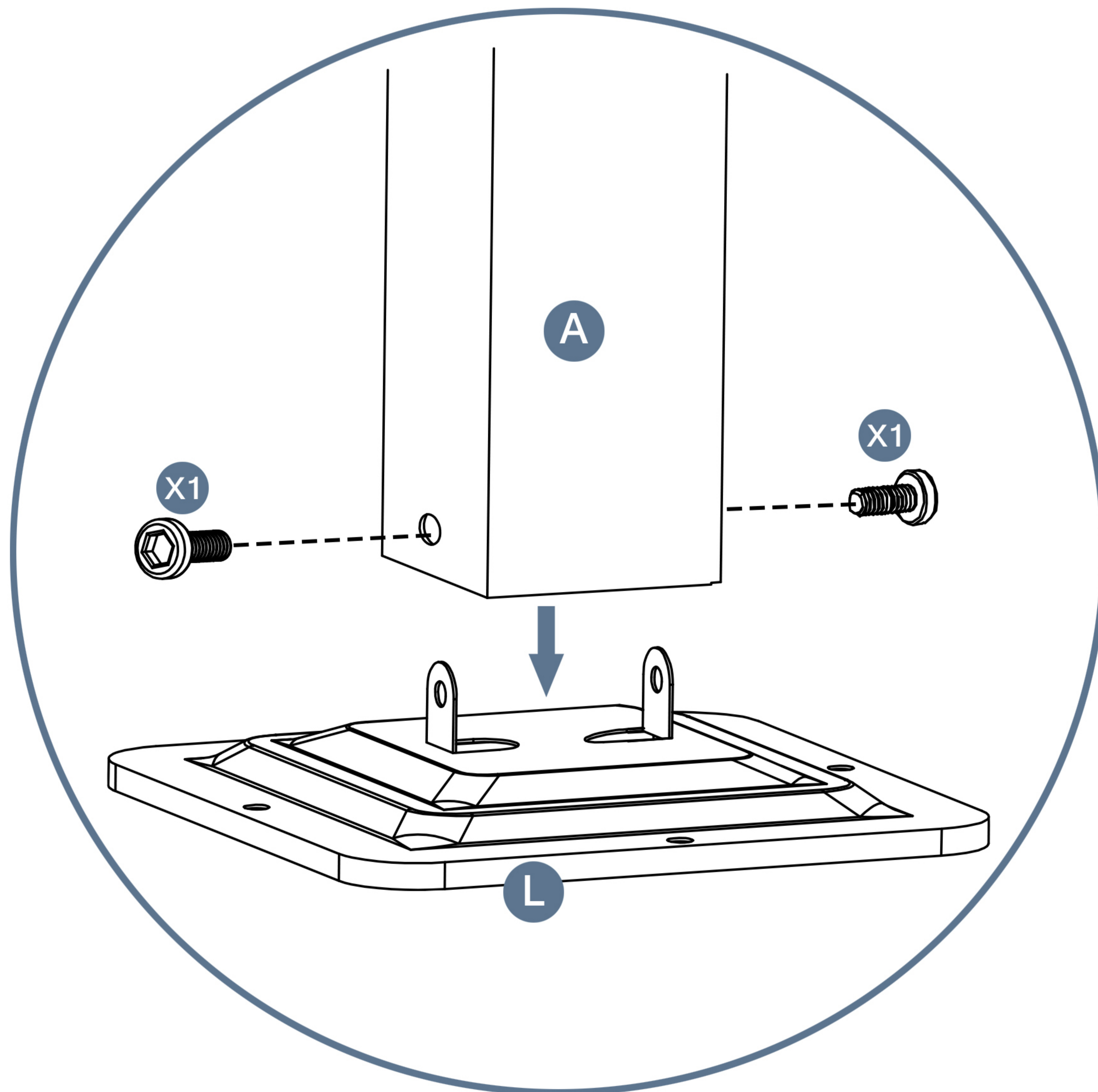
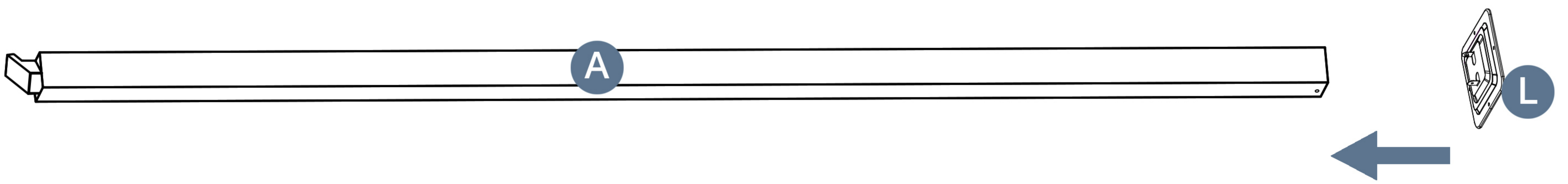
A 4pcs



X1 8pcs

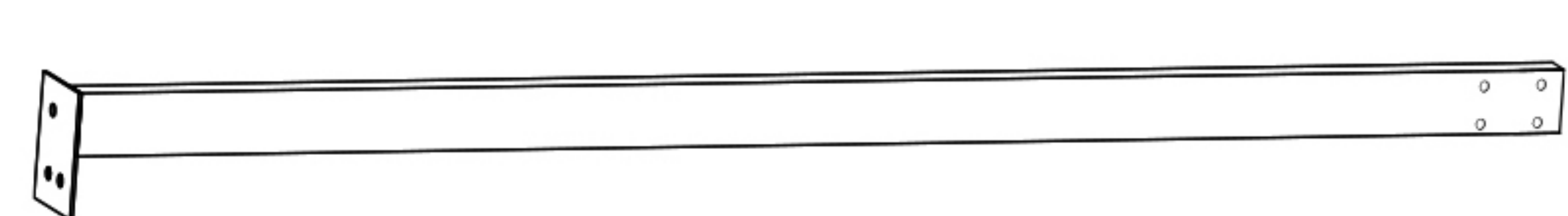


L 4pcs

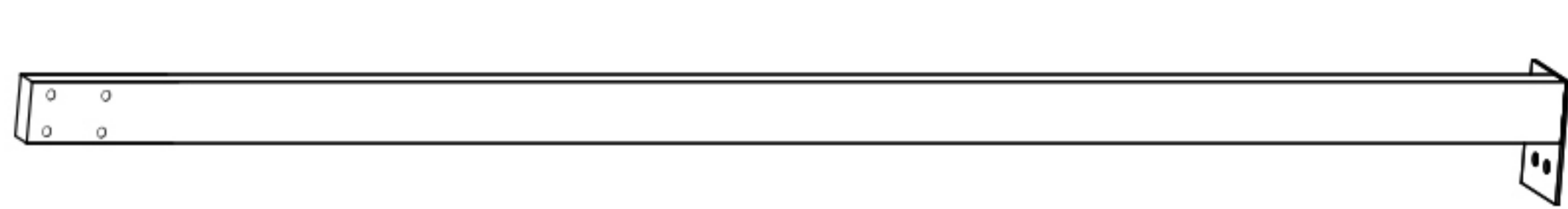


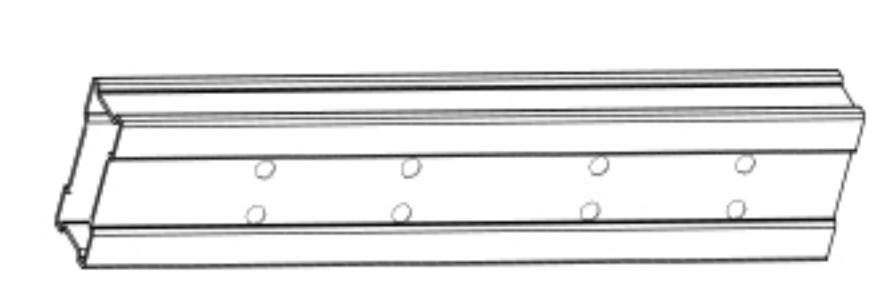
STEP 2

Parts required


 **C** 4pcs

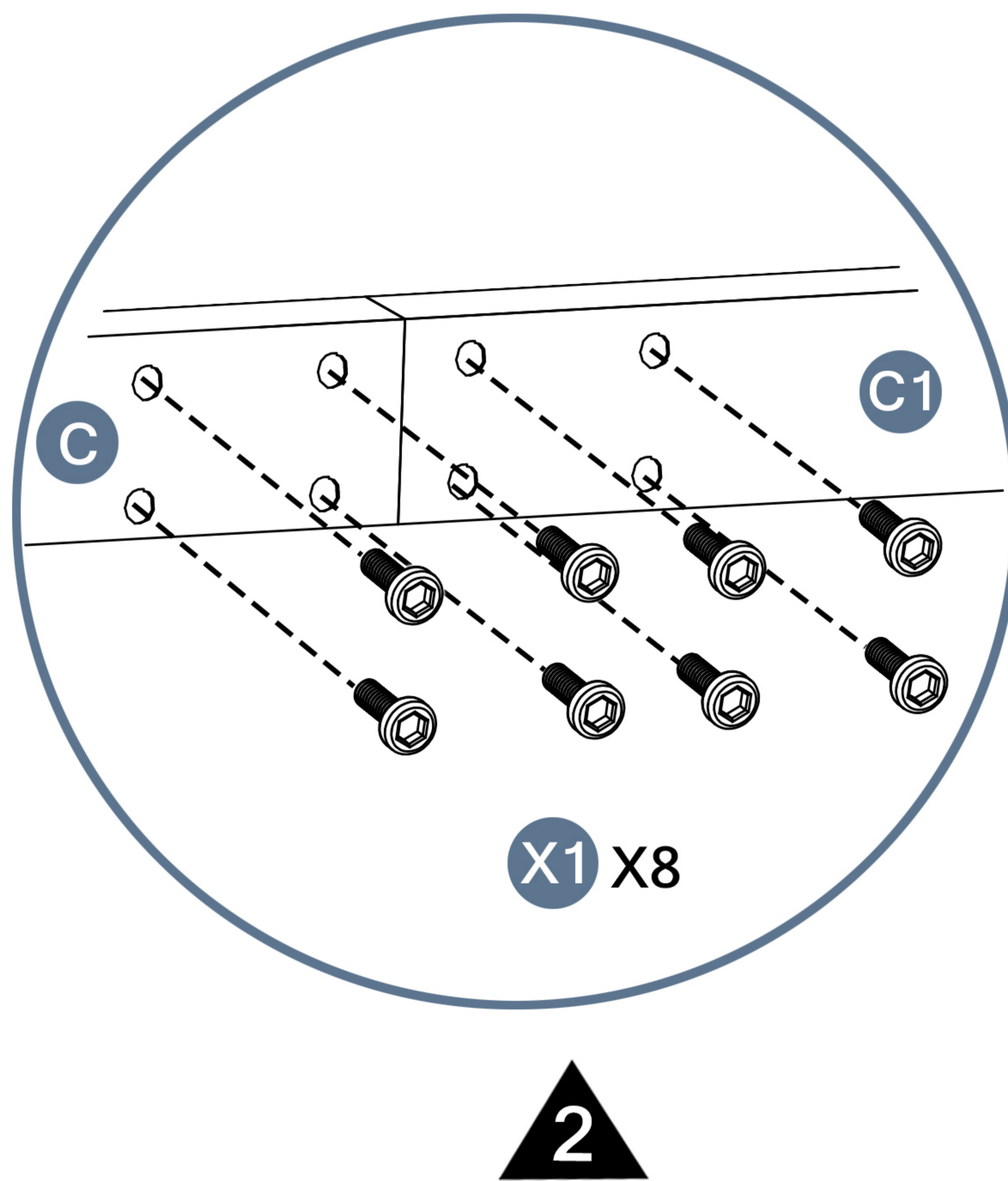
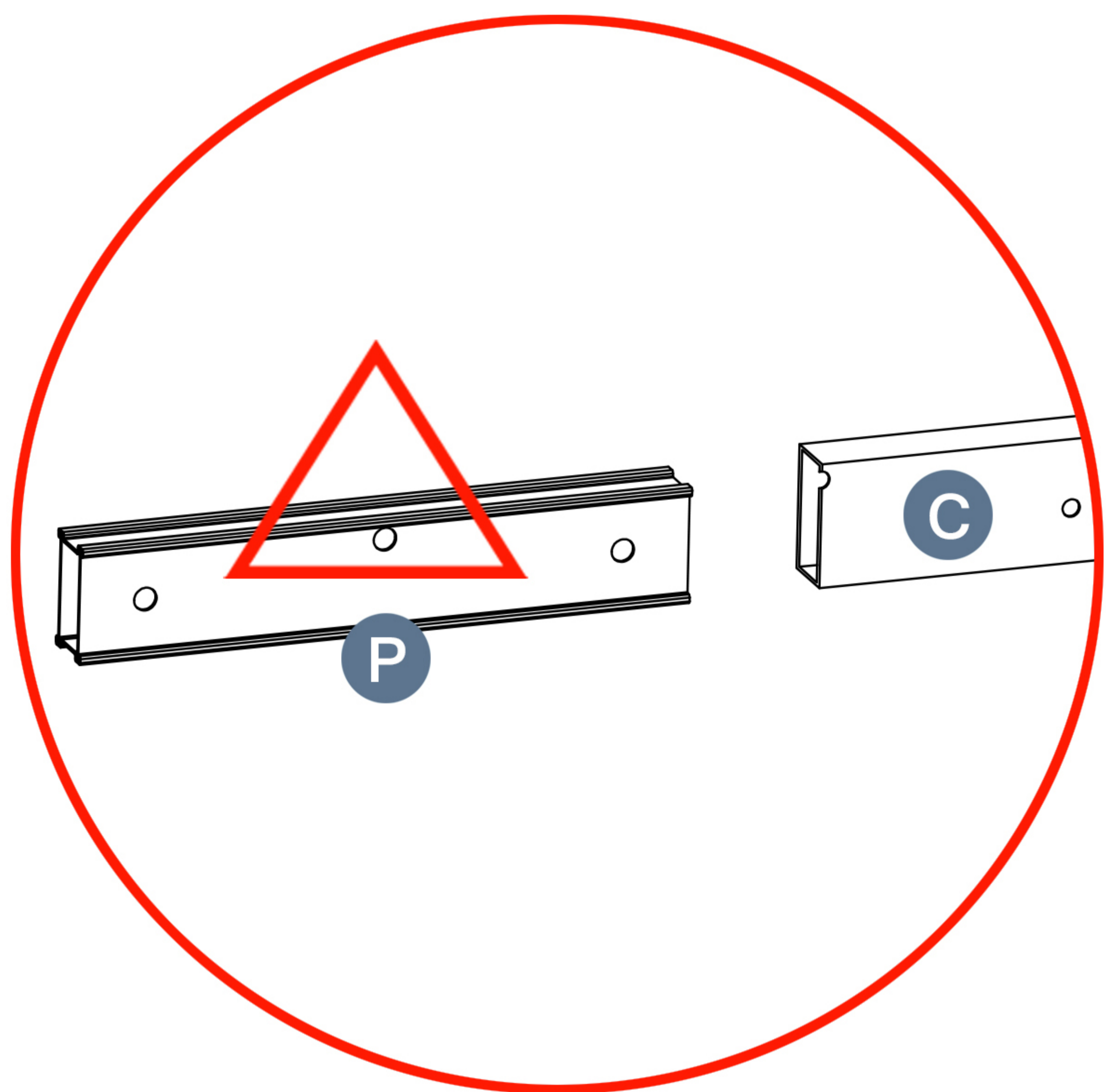
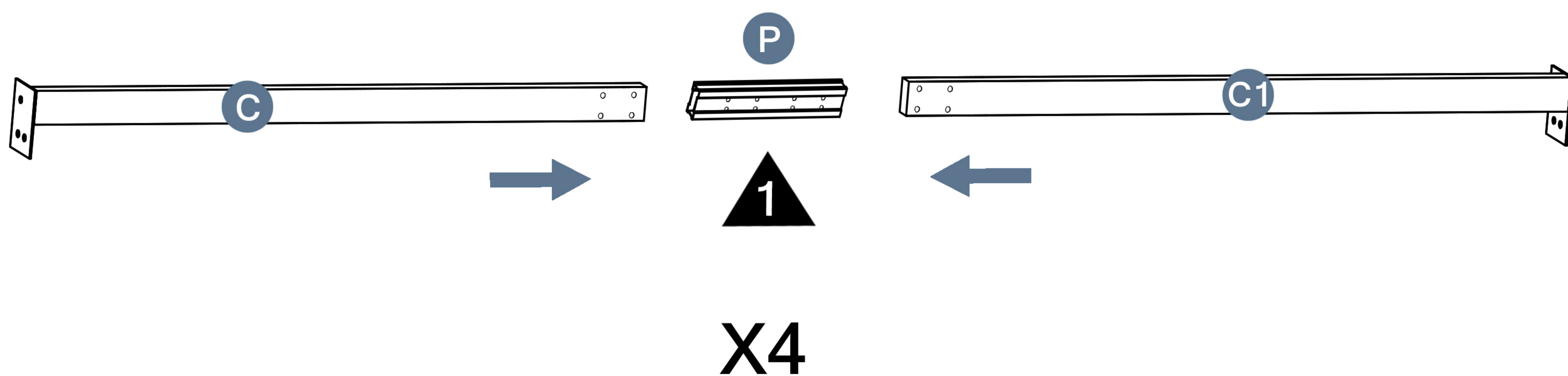
 **X1** 32pcs

 **C1** 4pcs

 **P** 4pcs

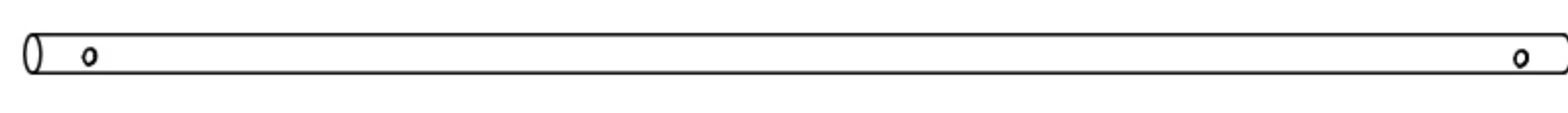
1 → **2**

 When connecting **C** and **C1** via **P**, make sure that 3 holes on part **P** (as shown in the picture) should be facing upwards. Do not install it upside down.

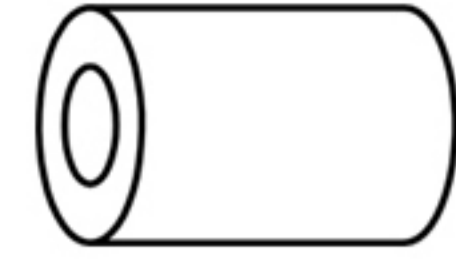


STEP 3

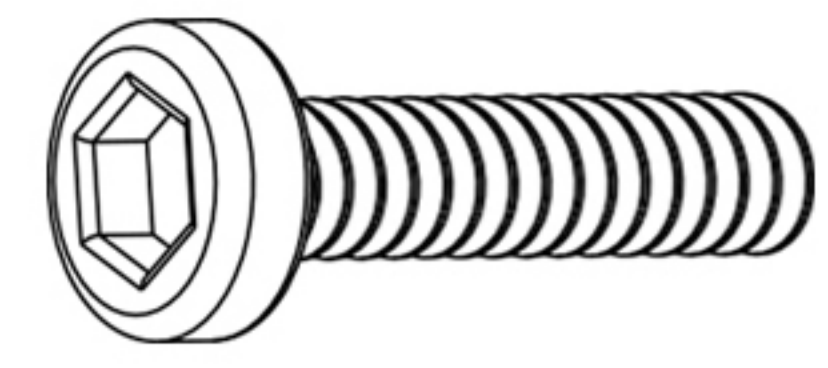
Parts required



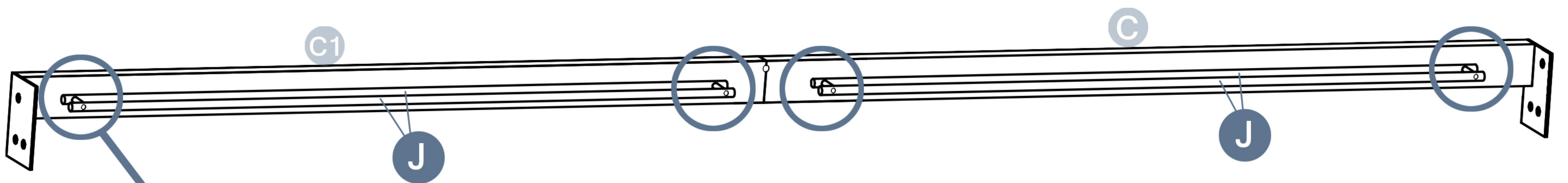
J 16pcs



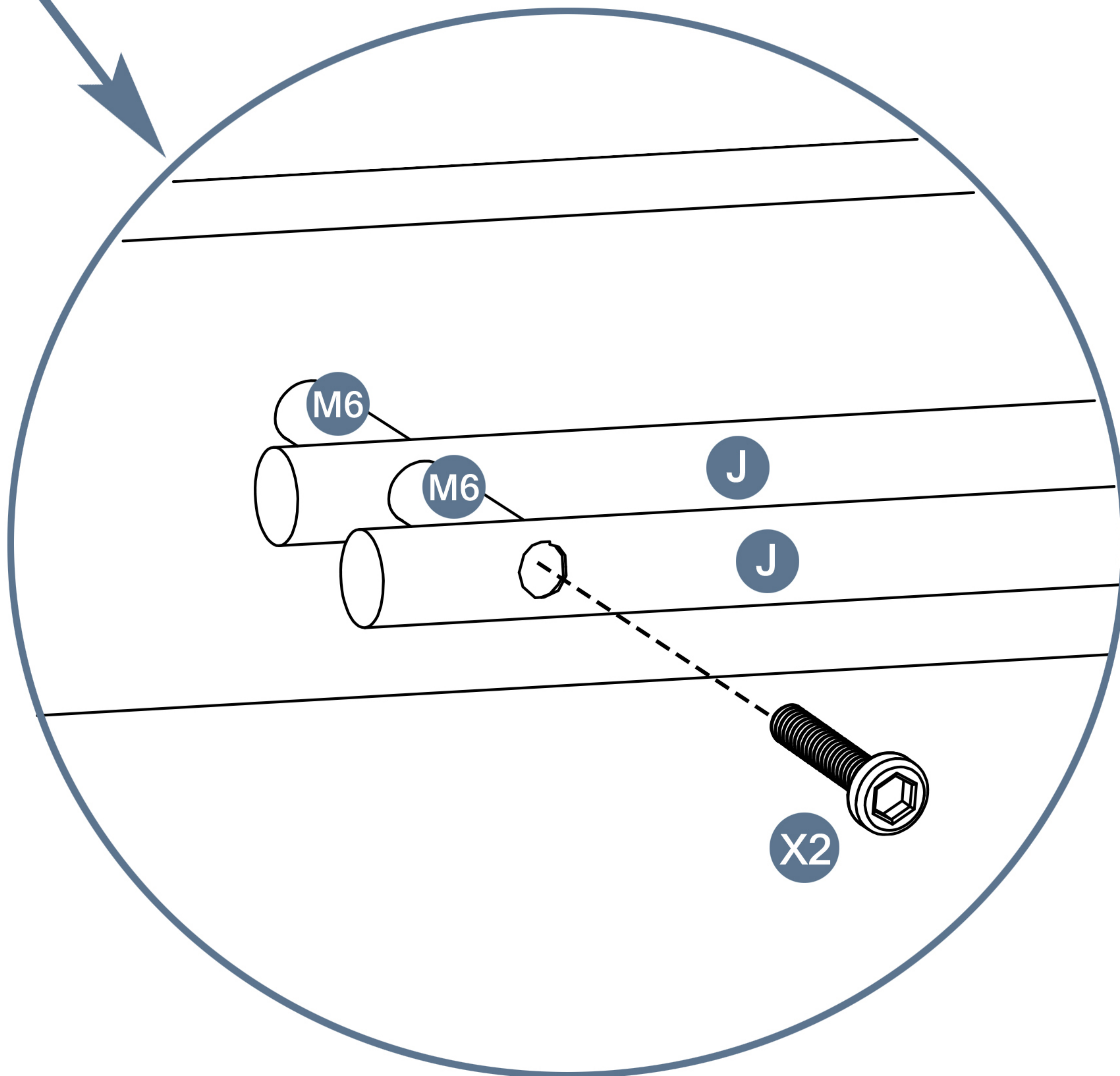
M6 32pcs



X2 16pcs

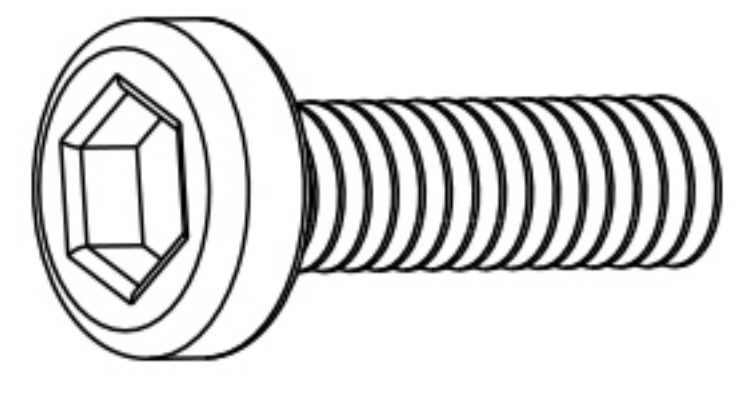


X4

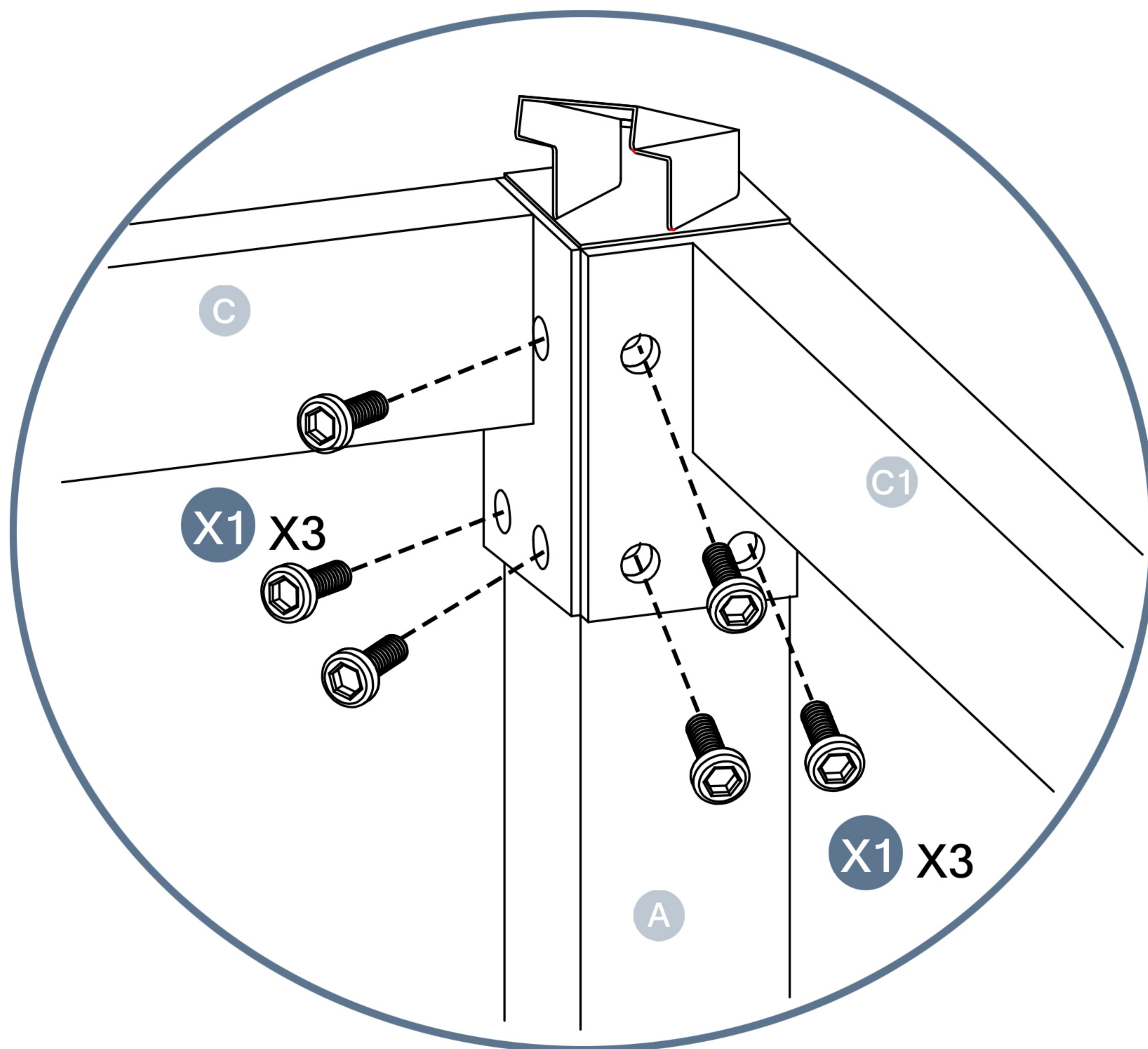
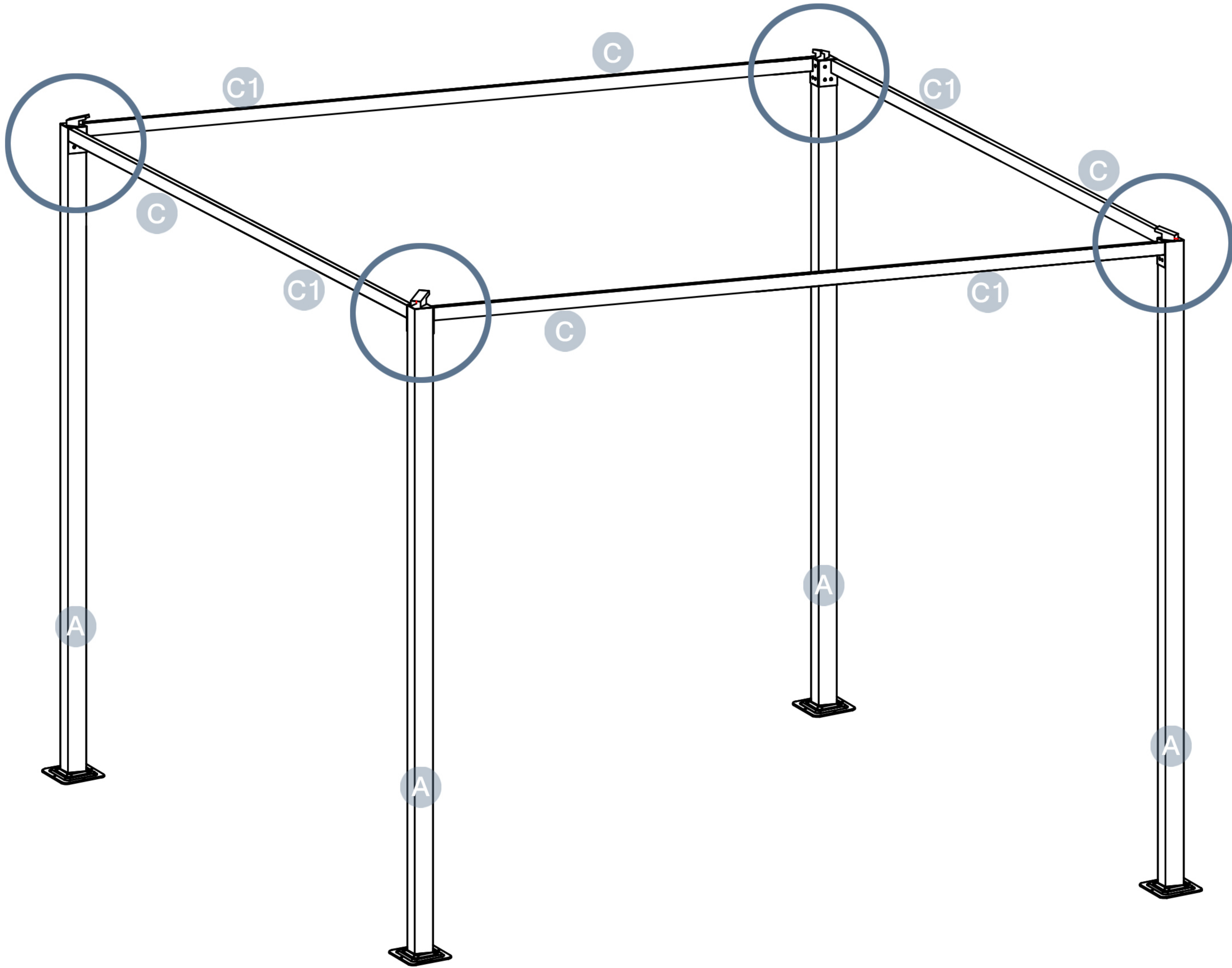


STEP 4

Parts required

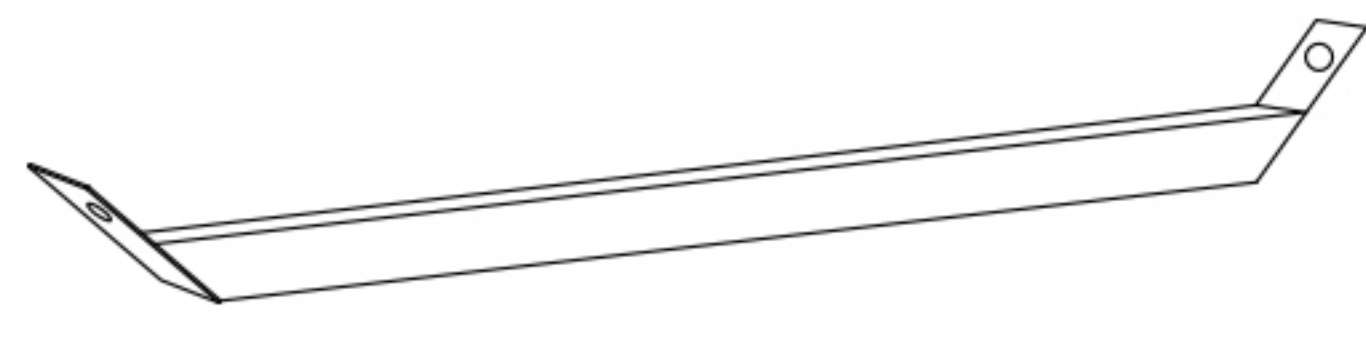


X1 24pcs

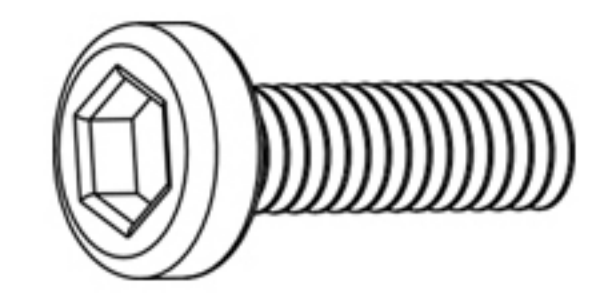


STEP 5

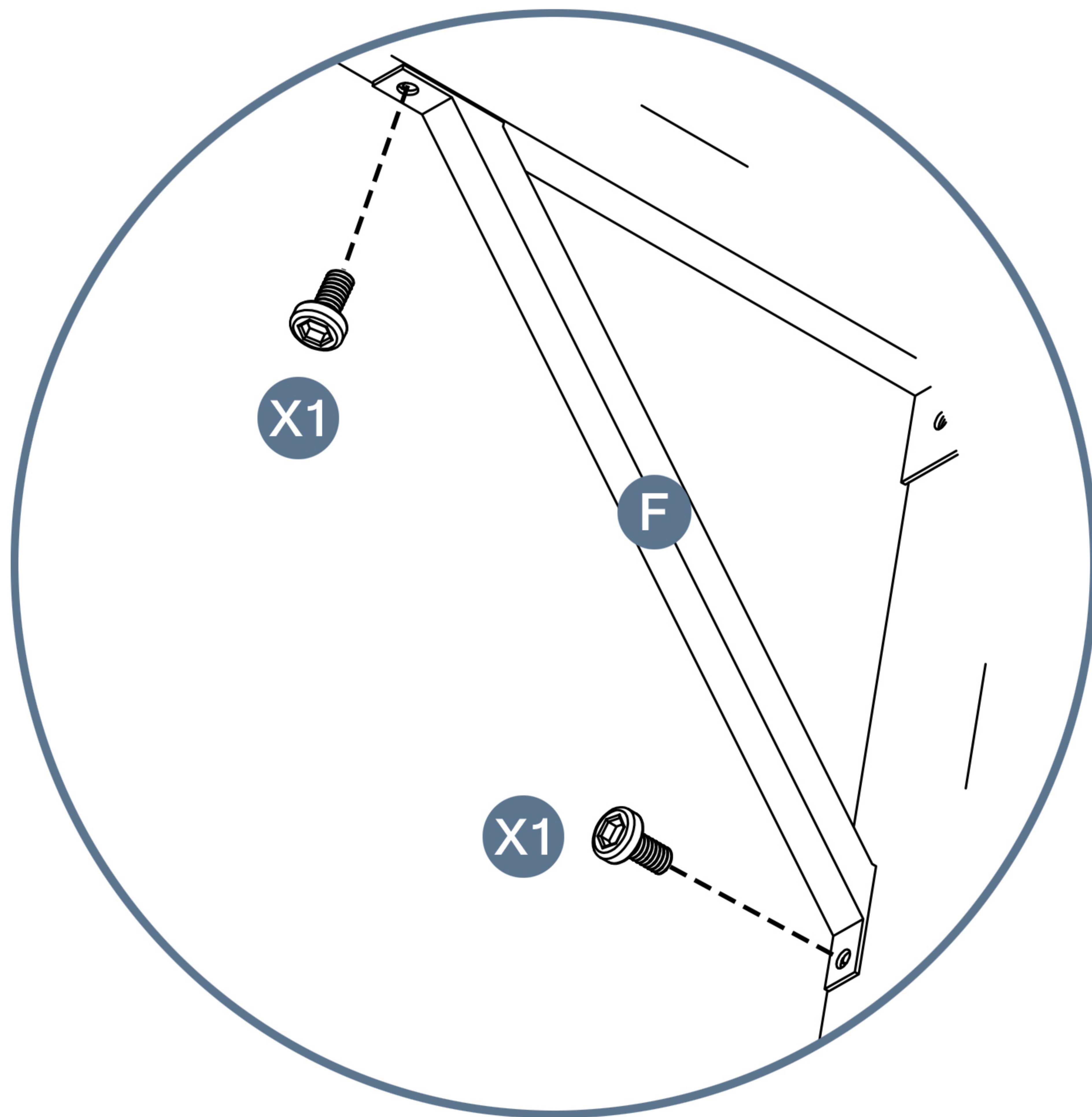
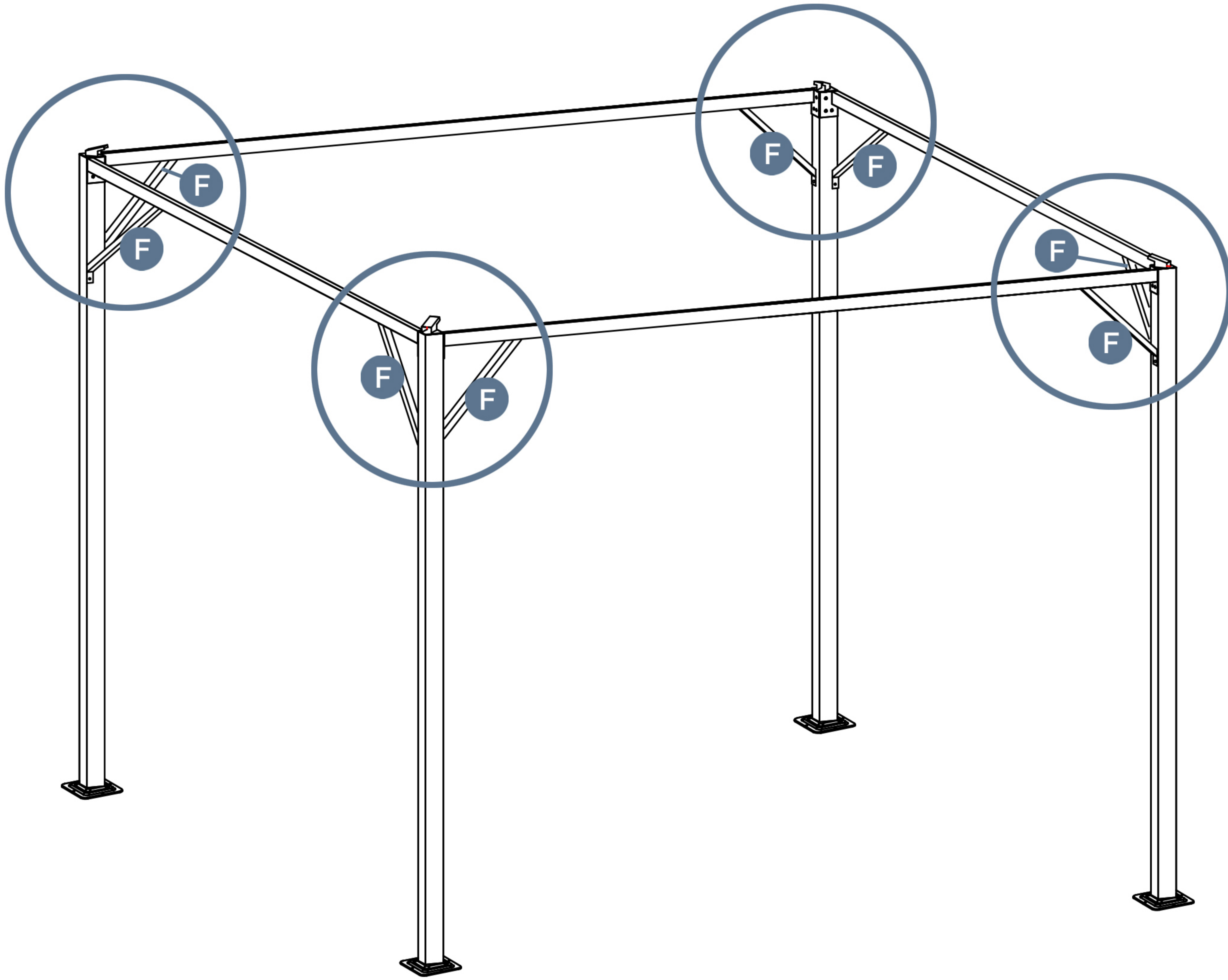
Parts required



F 8pcs

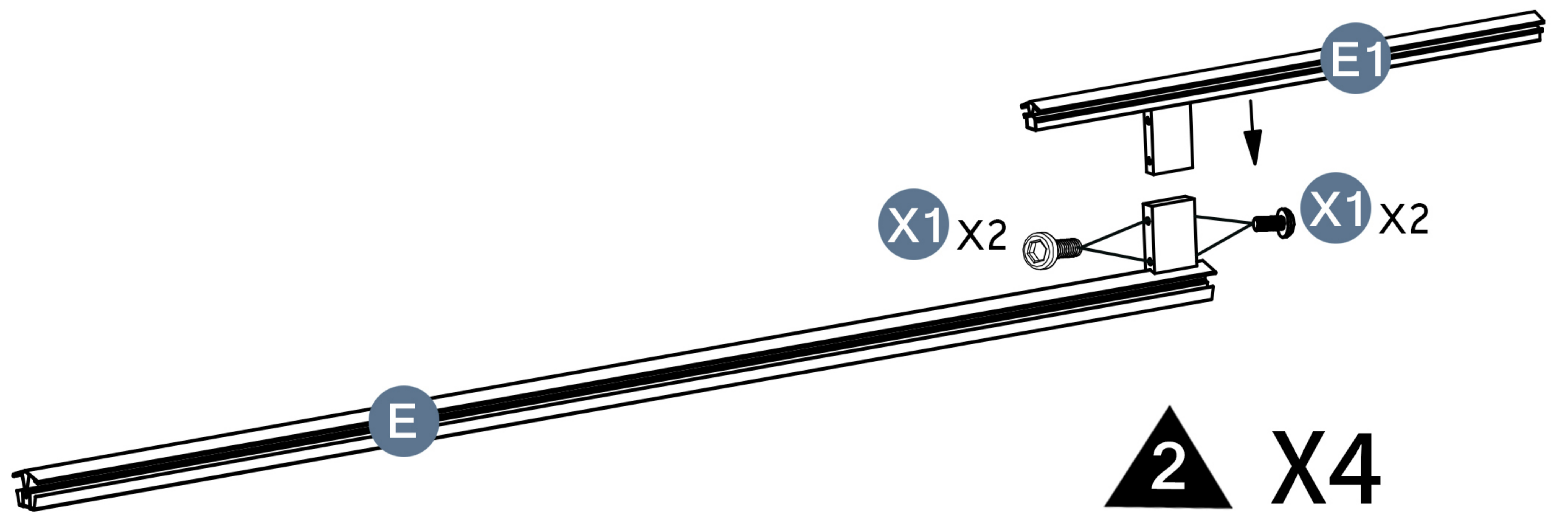
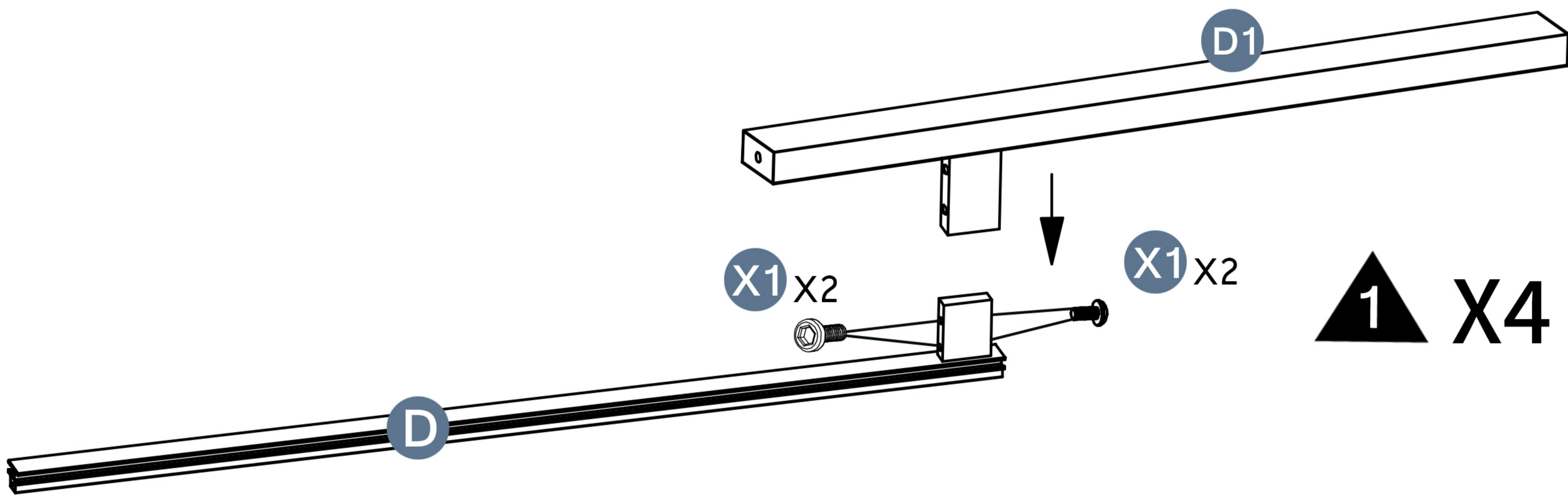
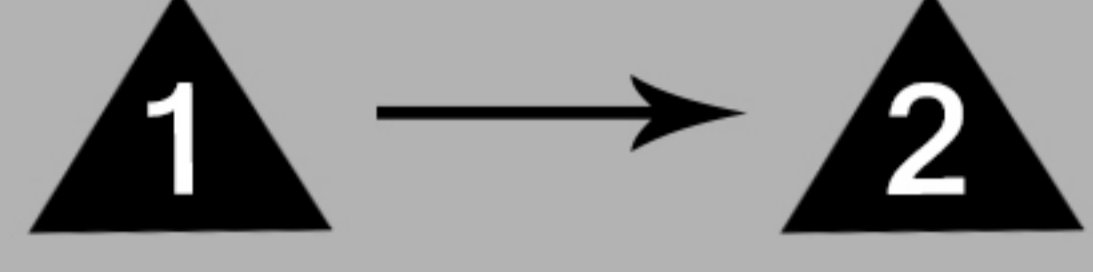
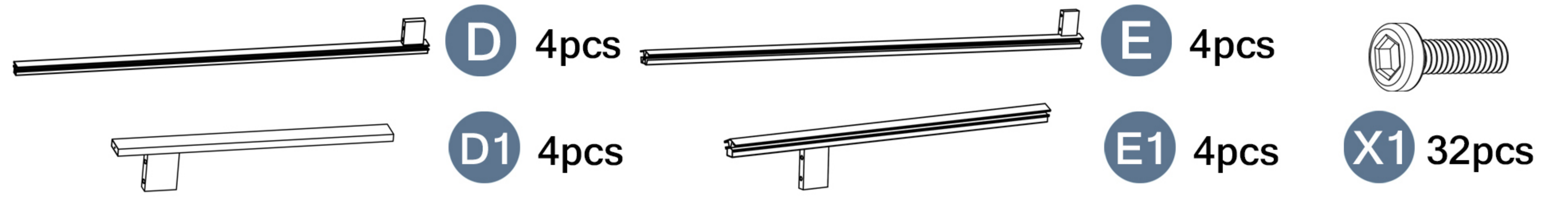


X1 16pcs



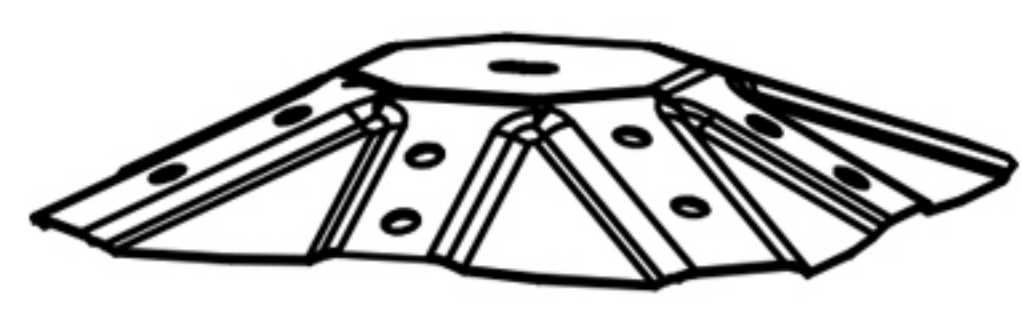
STEP 6

Parts required

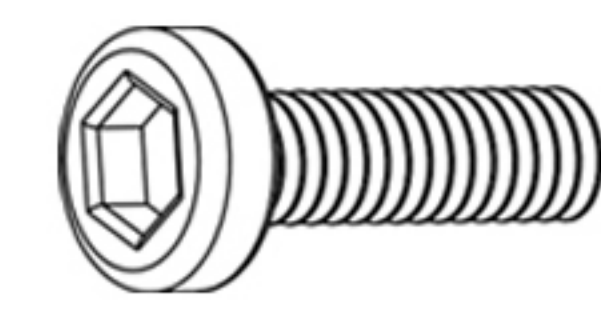


STEP 7

Parts required

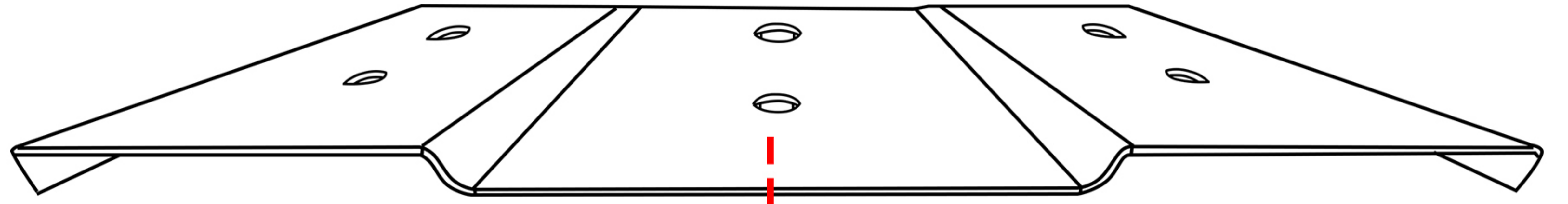


K1 1pcs

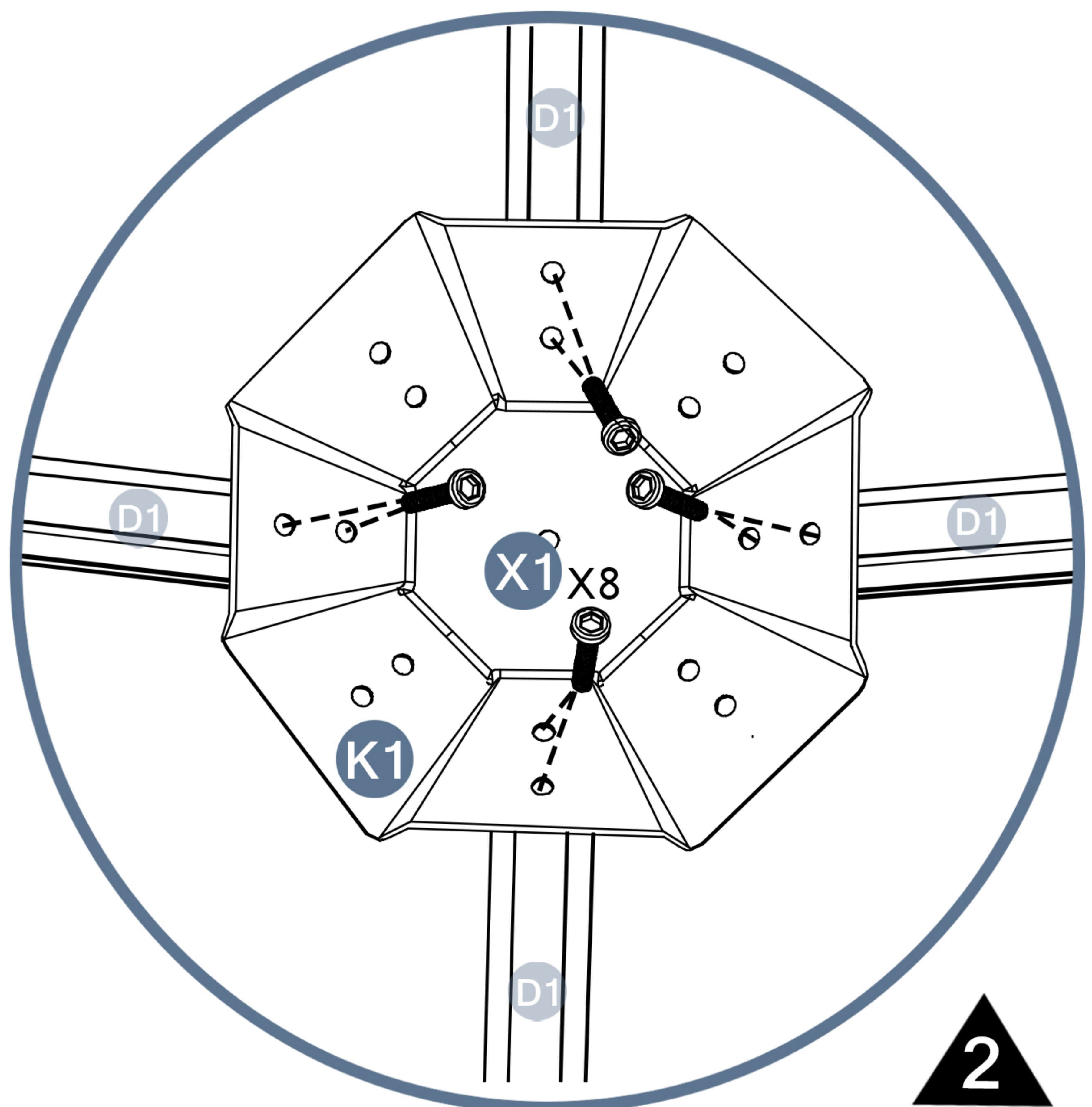
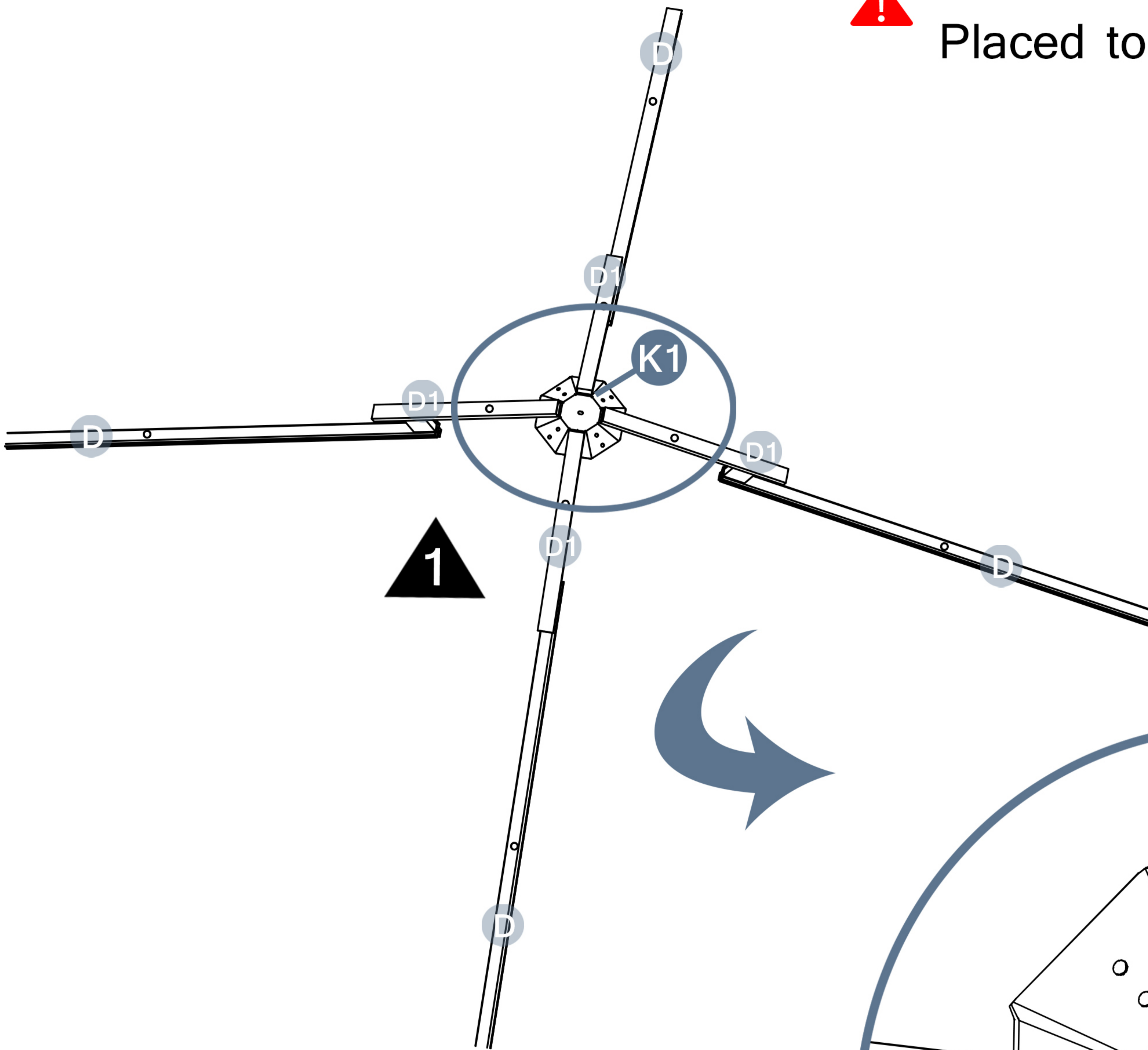


X1 8pcs

1 → 2

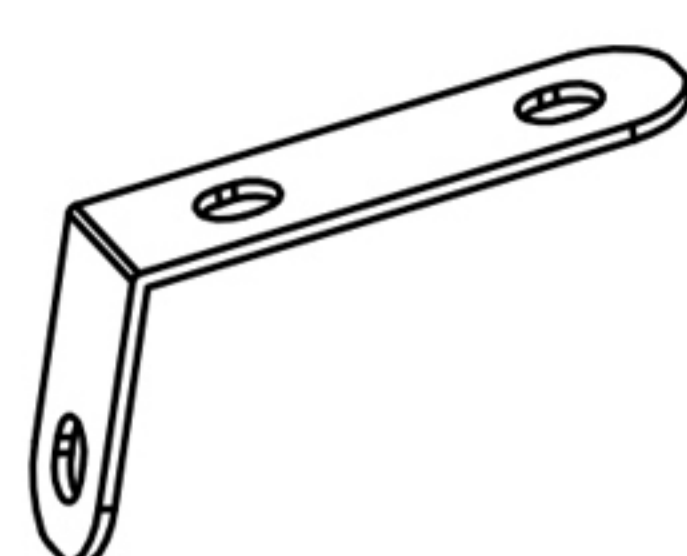


! Concave side of the top plate
Placed to **D1** tube, then fix by **X1**

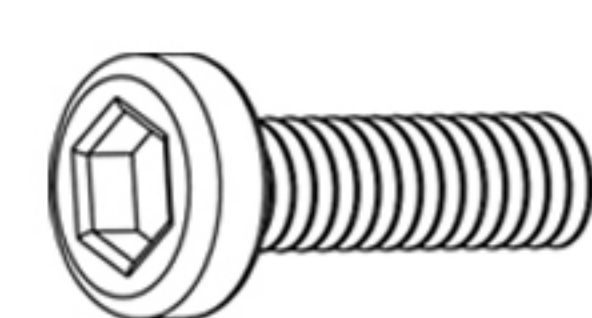


STEP 8

Parts required

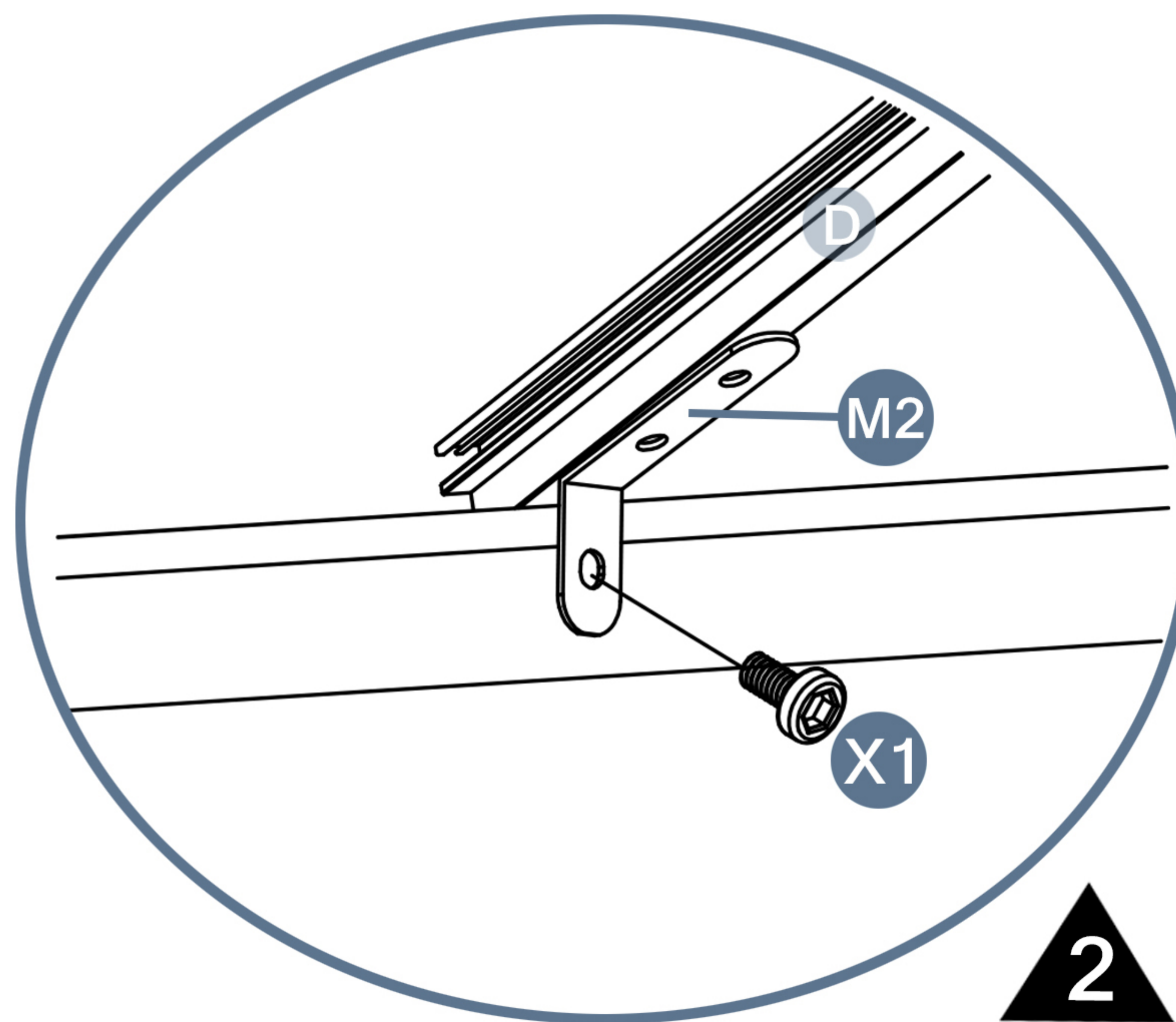
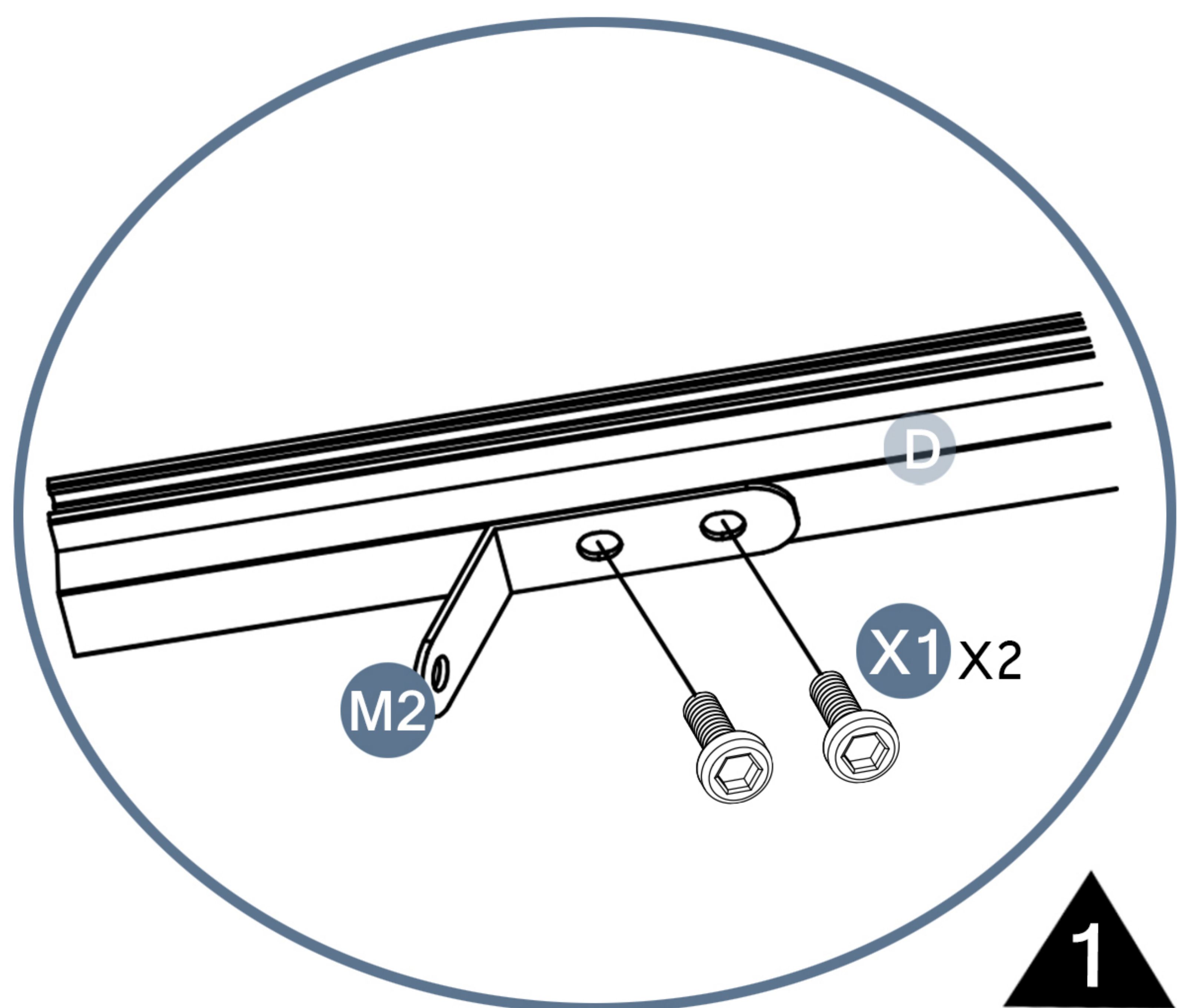
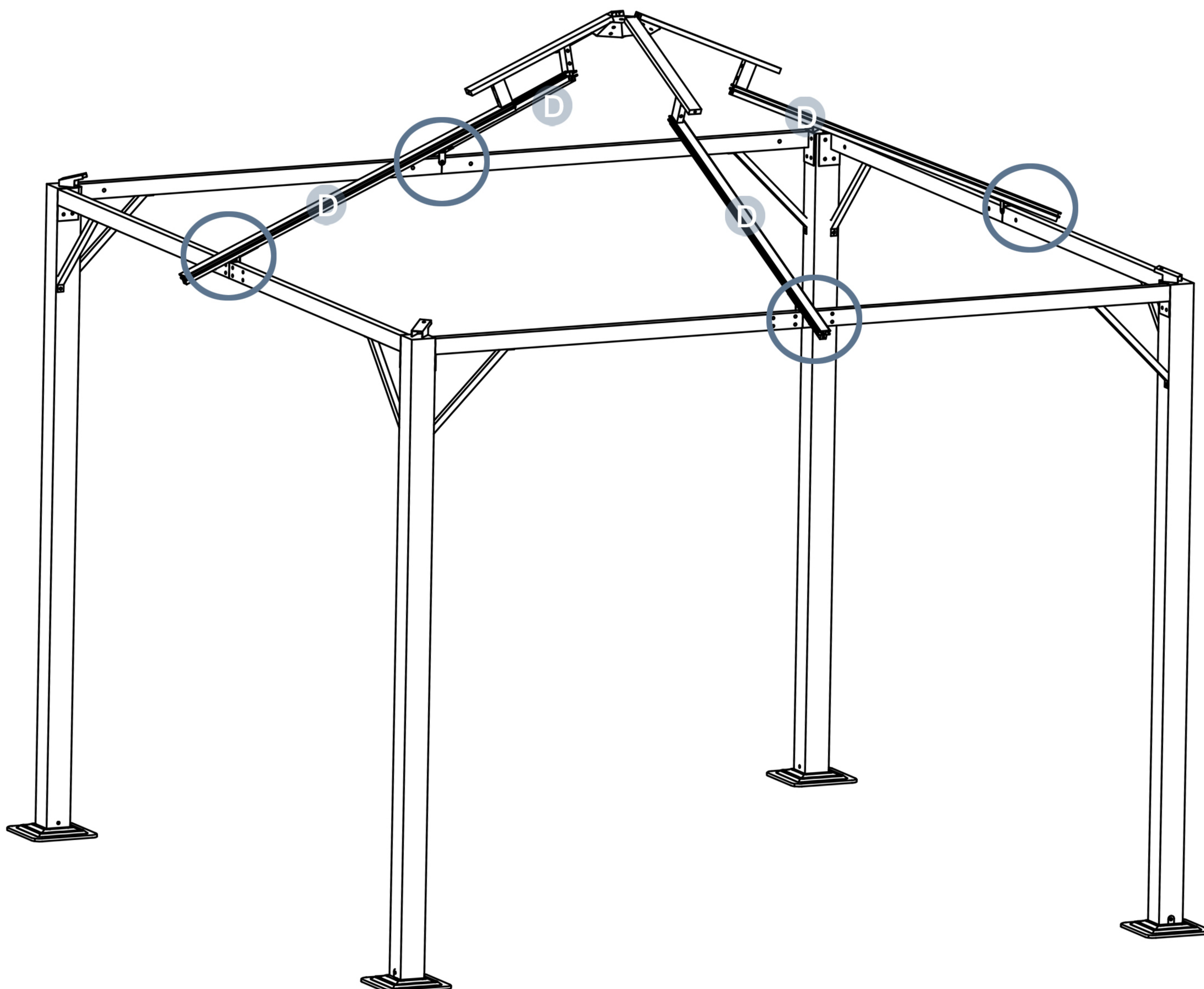


M2 4pcs



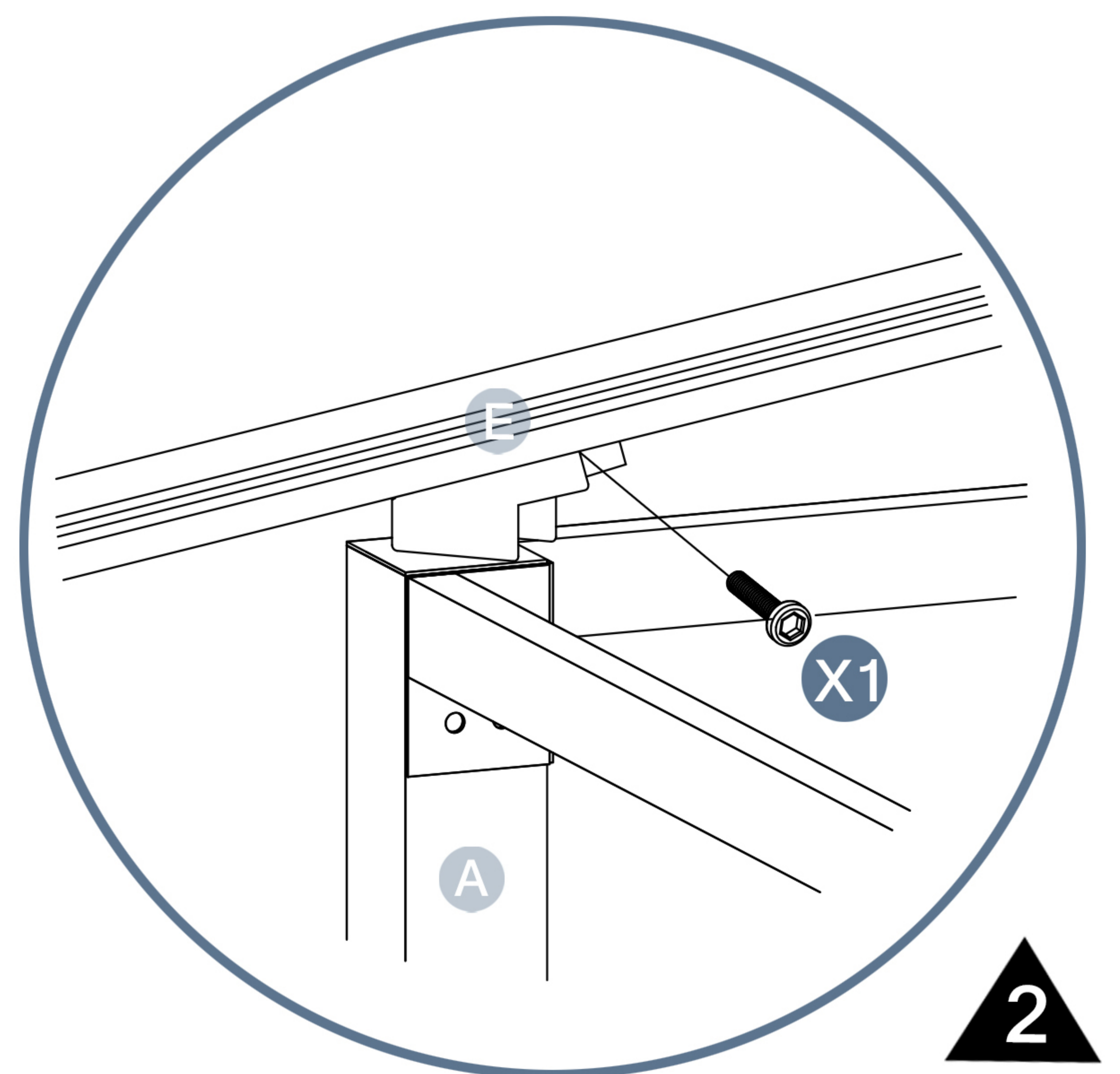
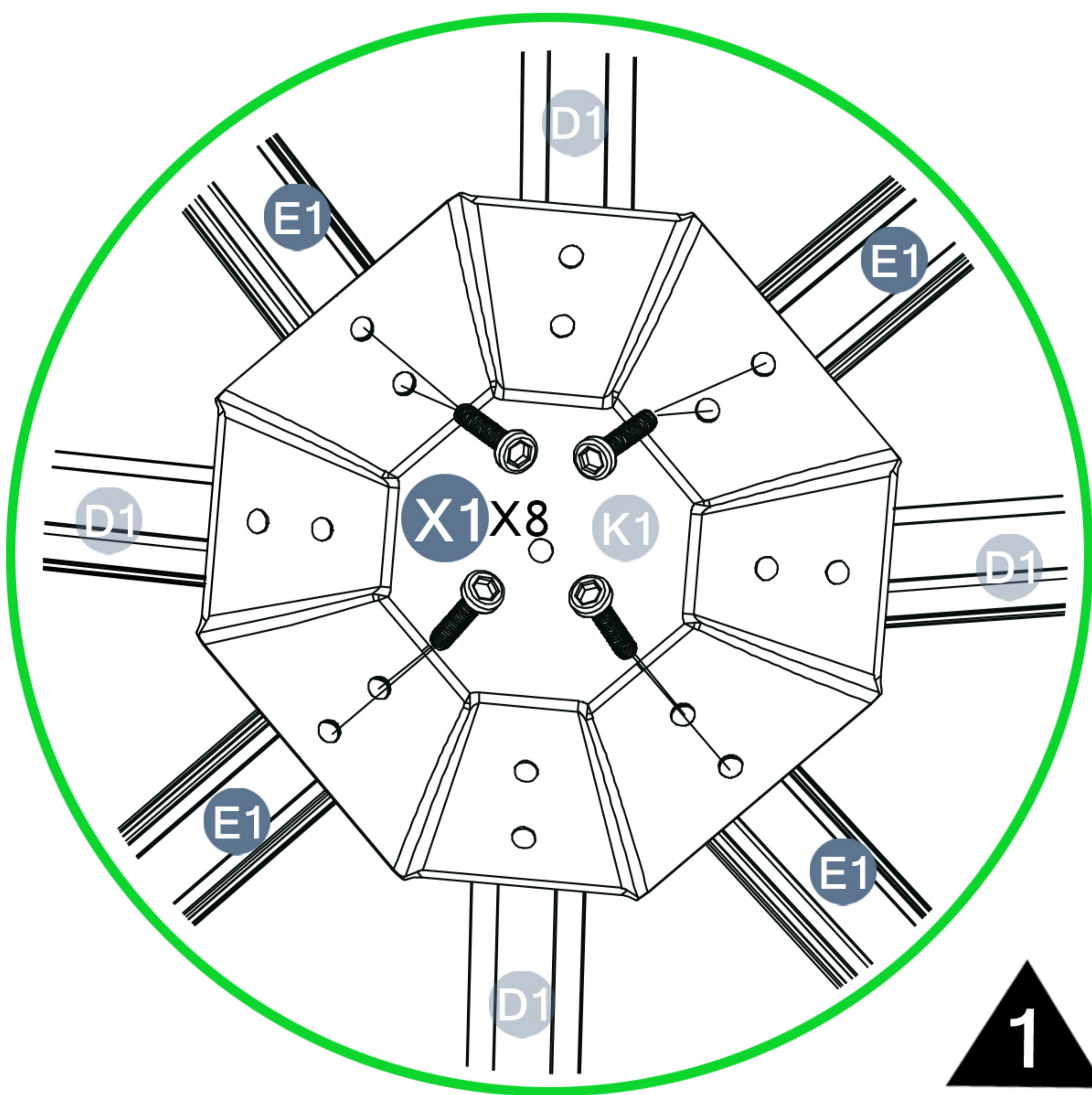
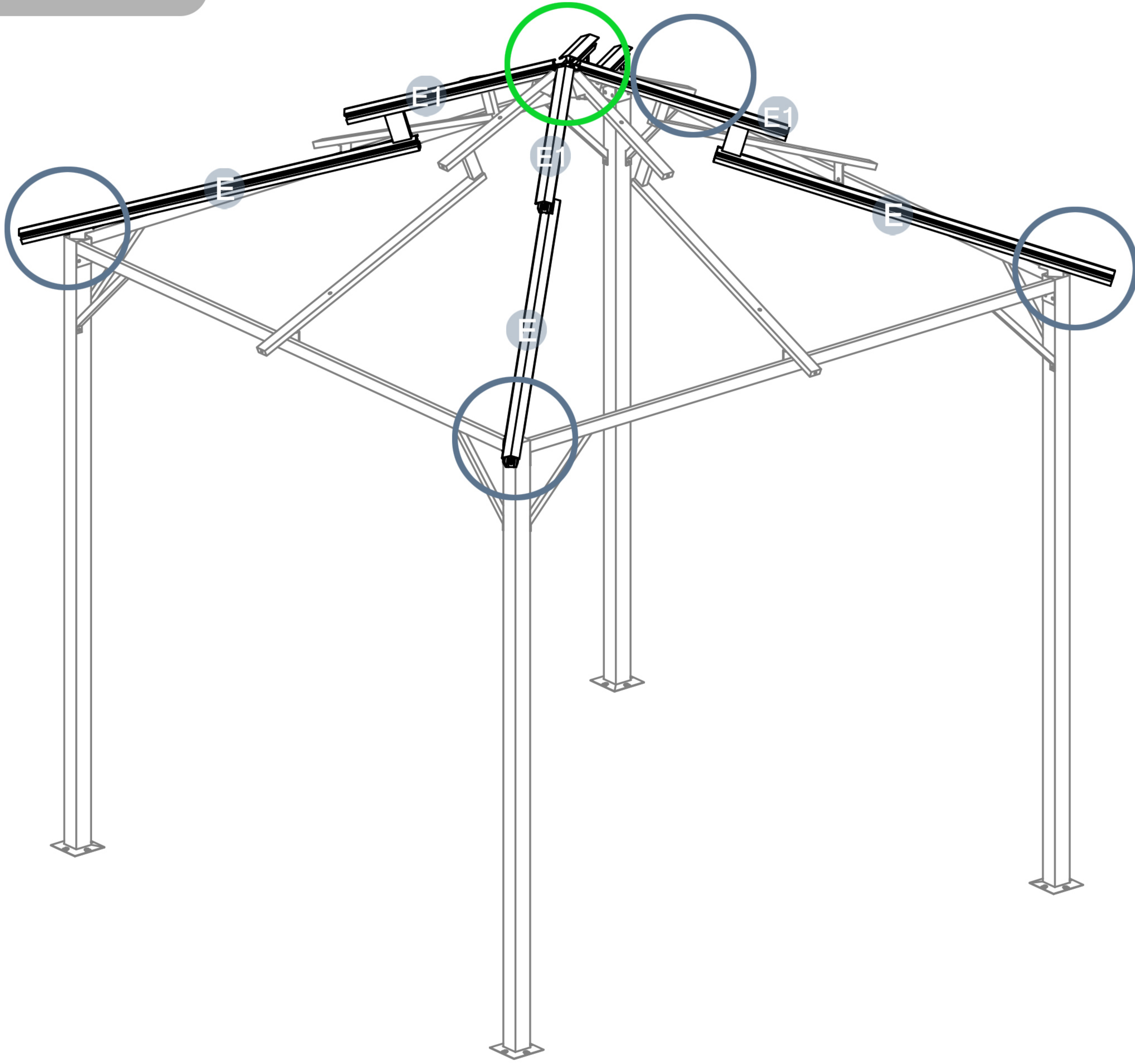
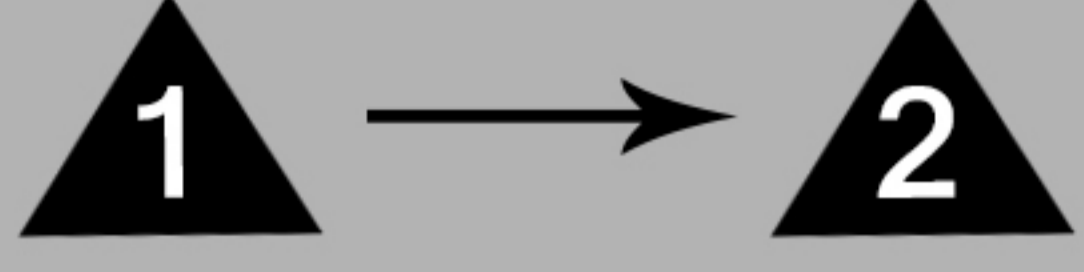
X1 12pcs

1 → 2



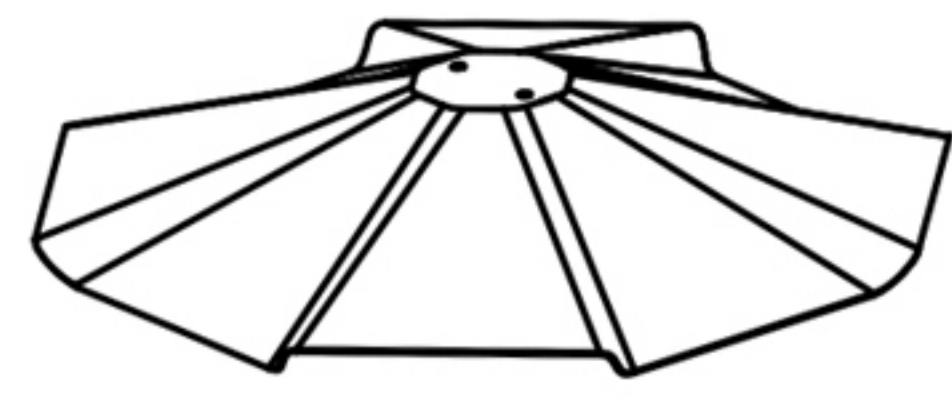
STEP 9

Parts required

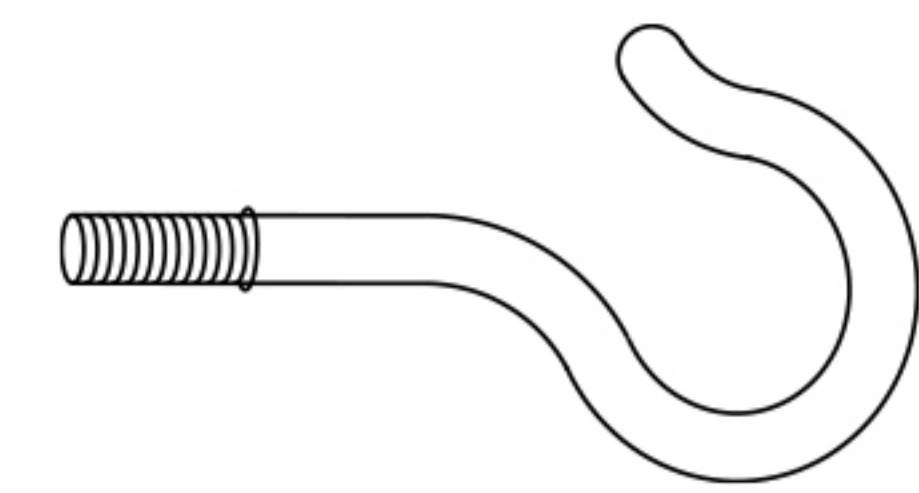


STEP 10

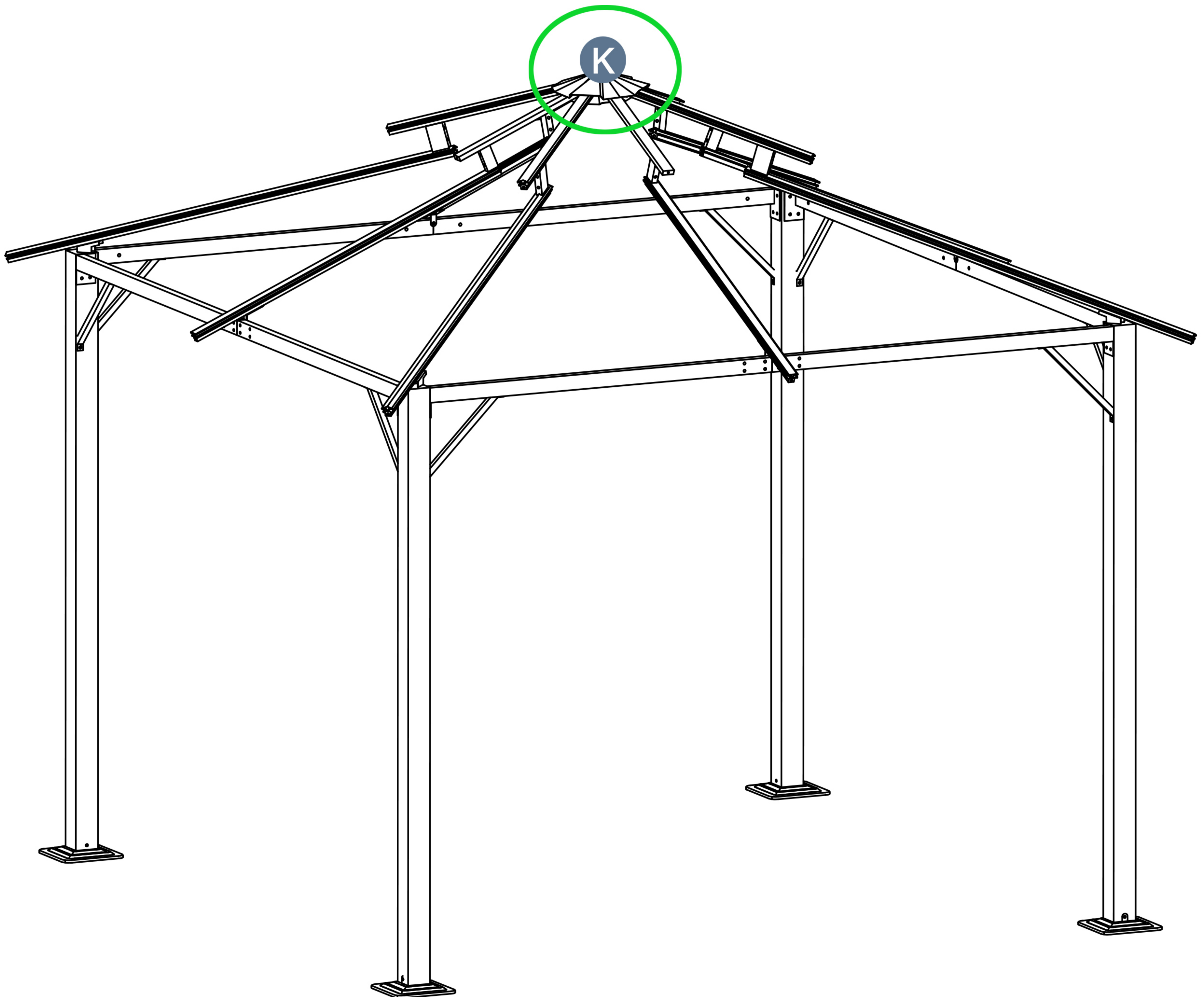
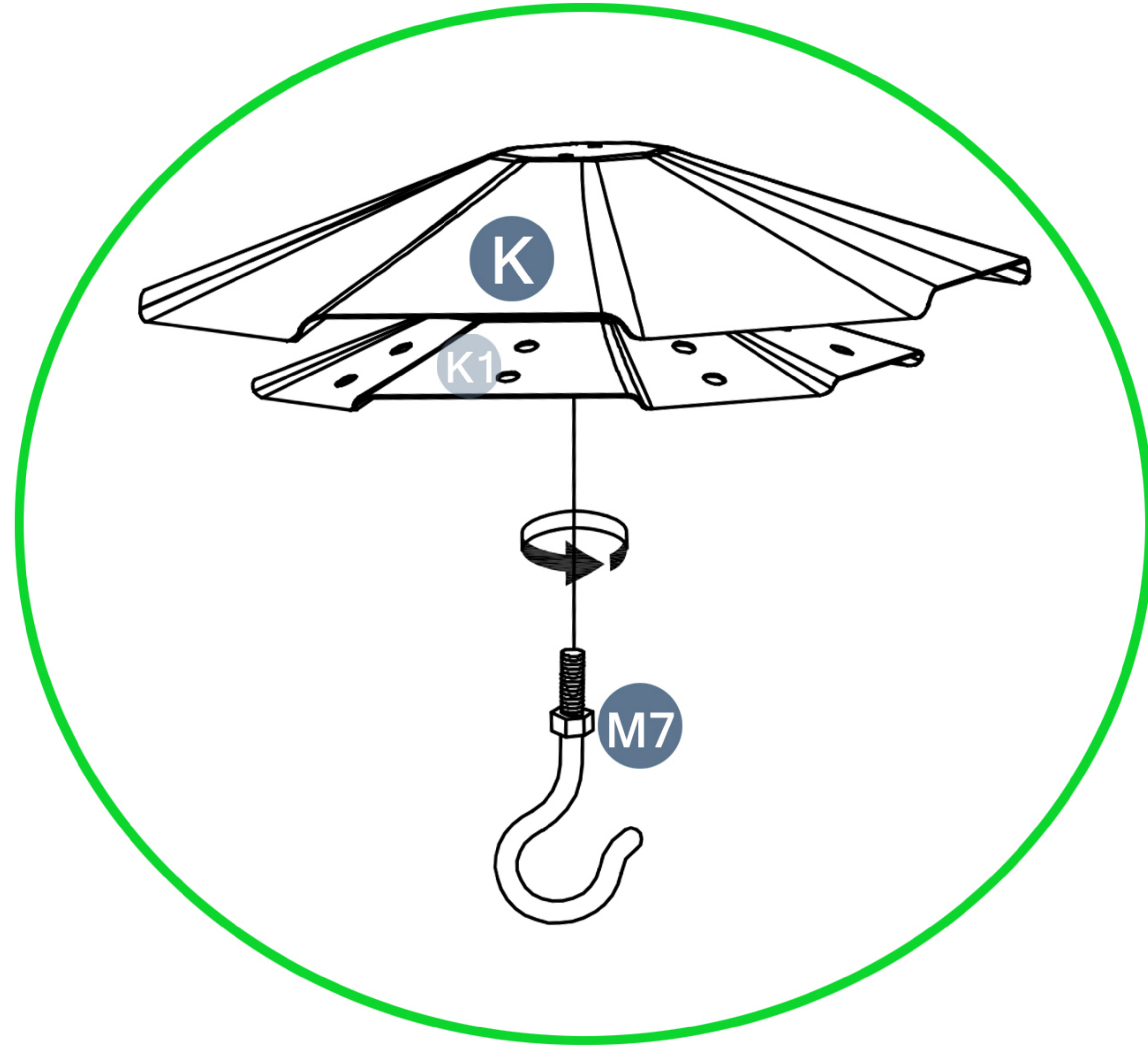
Parts required



K 1pcs

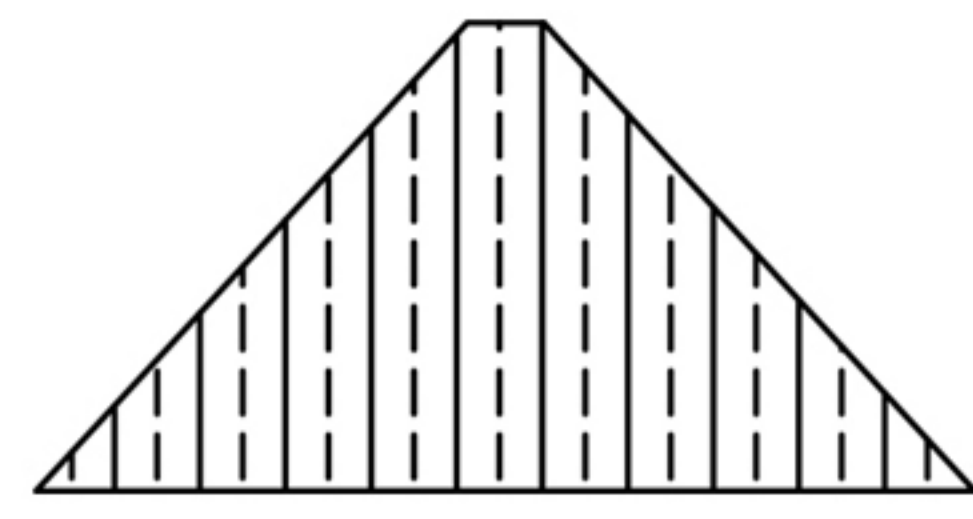


M7 1pcs



STEP 11

Parts required



Y7 4pcs



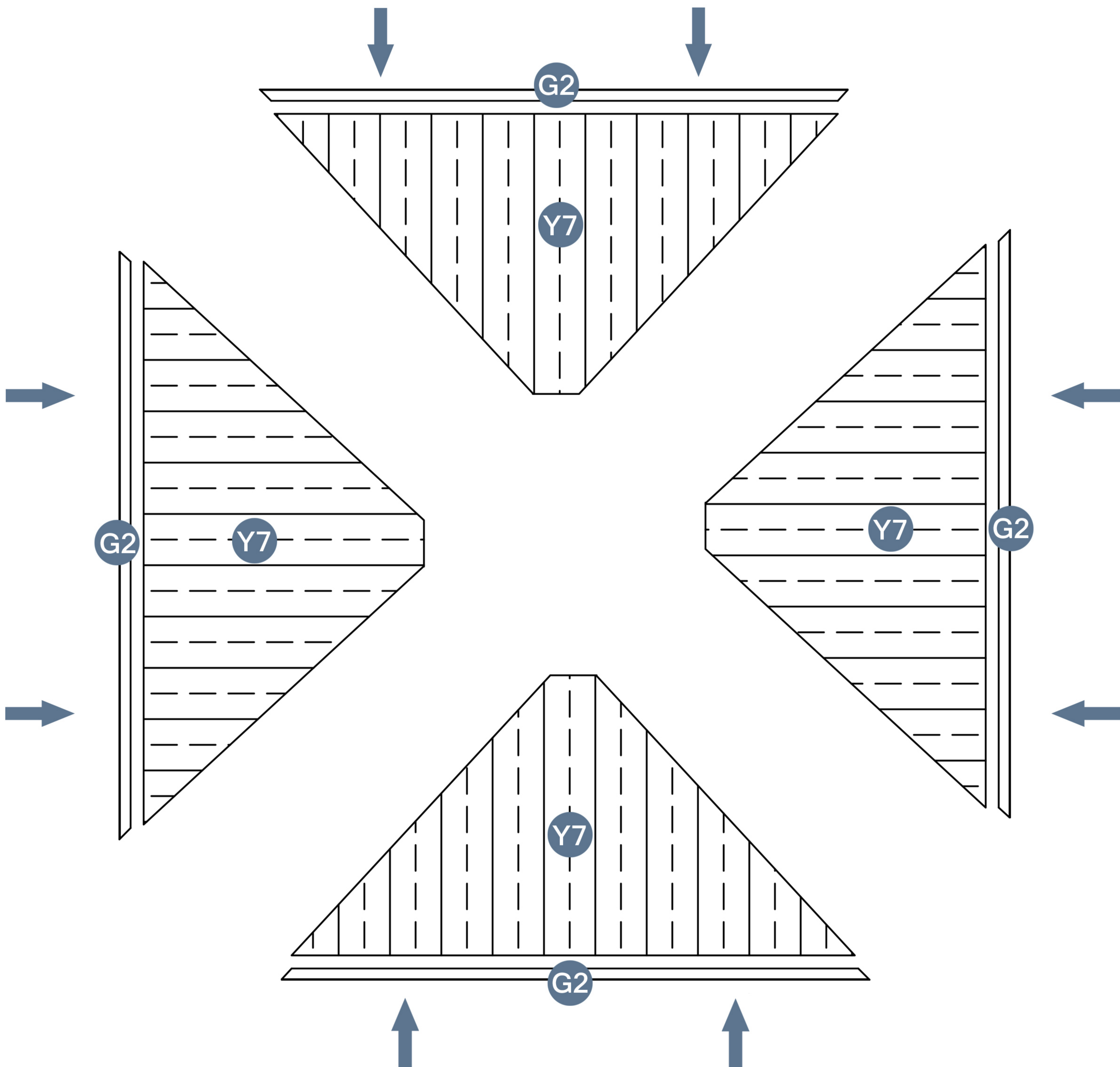
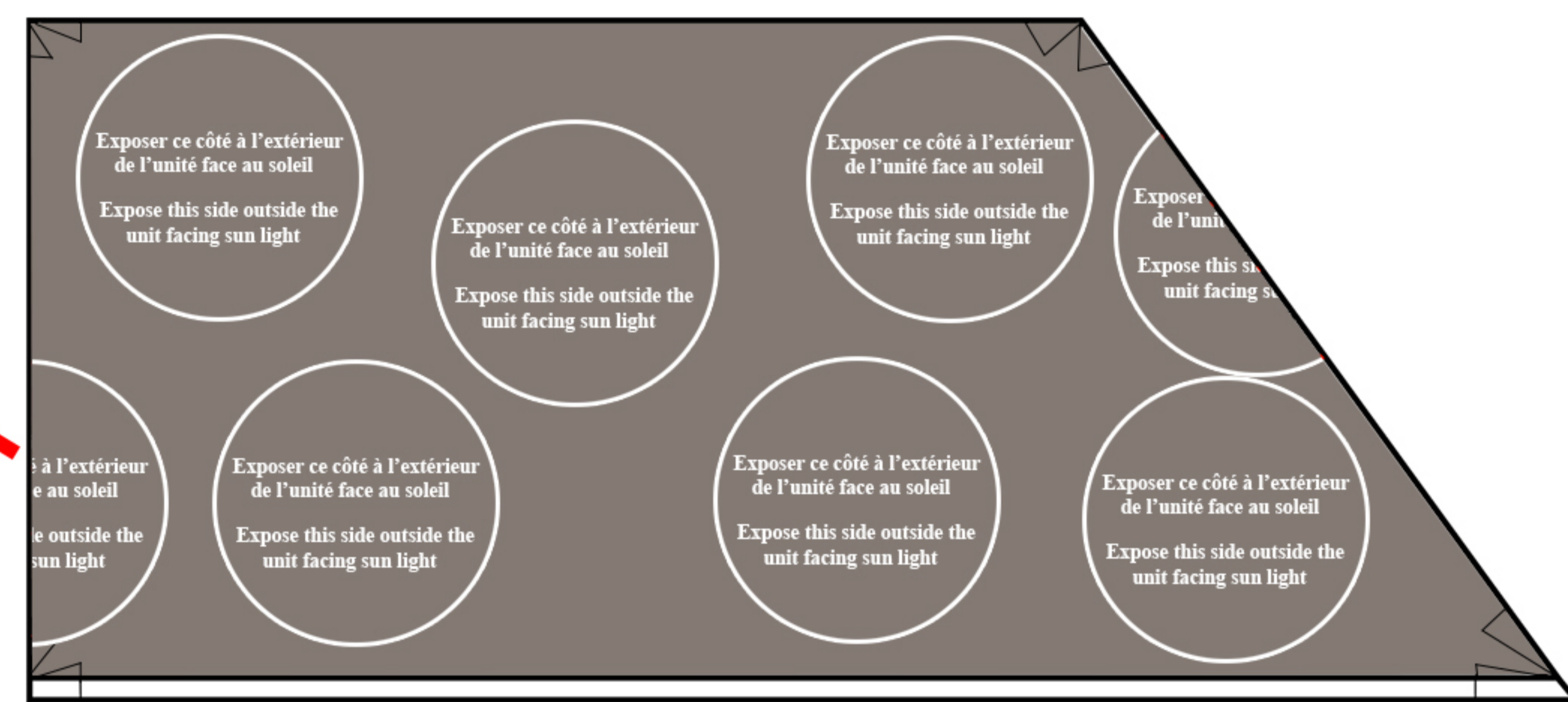
G2 4pcs



Accessories Y7 are covered by layers with explanatory notes showing front and back sides. Use these notes to correctly put accessories in place.

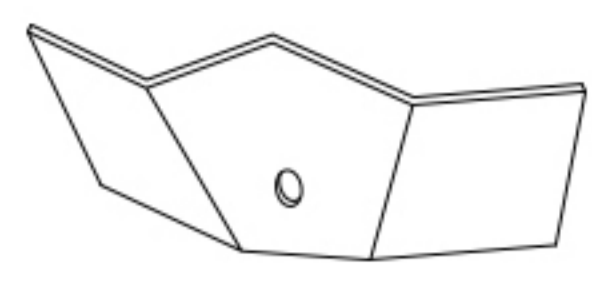


Exposer ce côté à l'extérieur de l'unité face au soleil
Expose this side outside the unit facing sun light

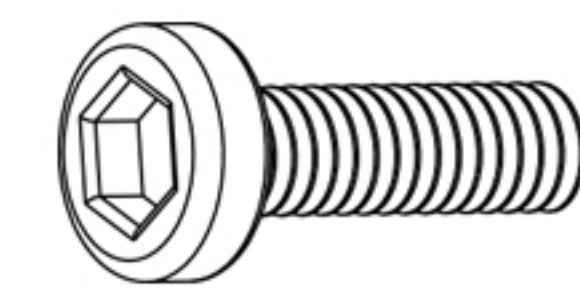


STEP 12

Parts required

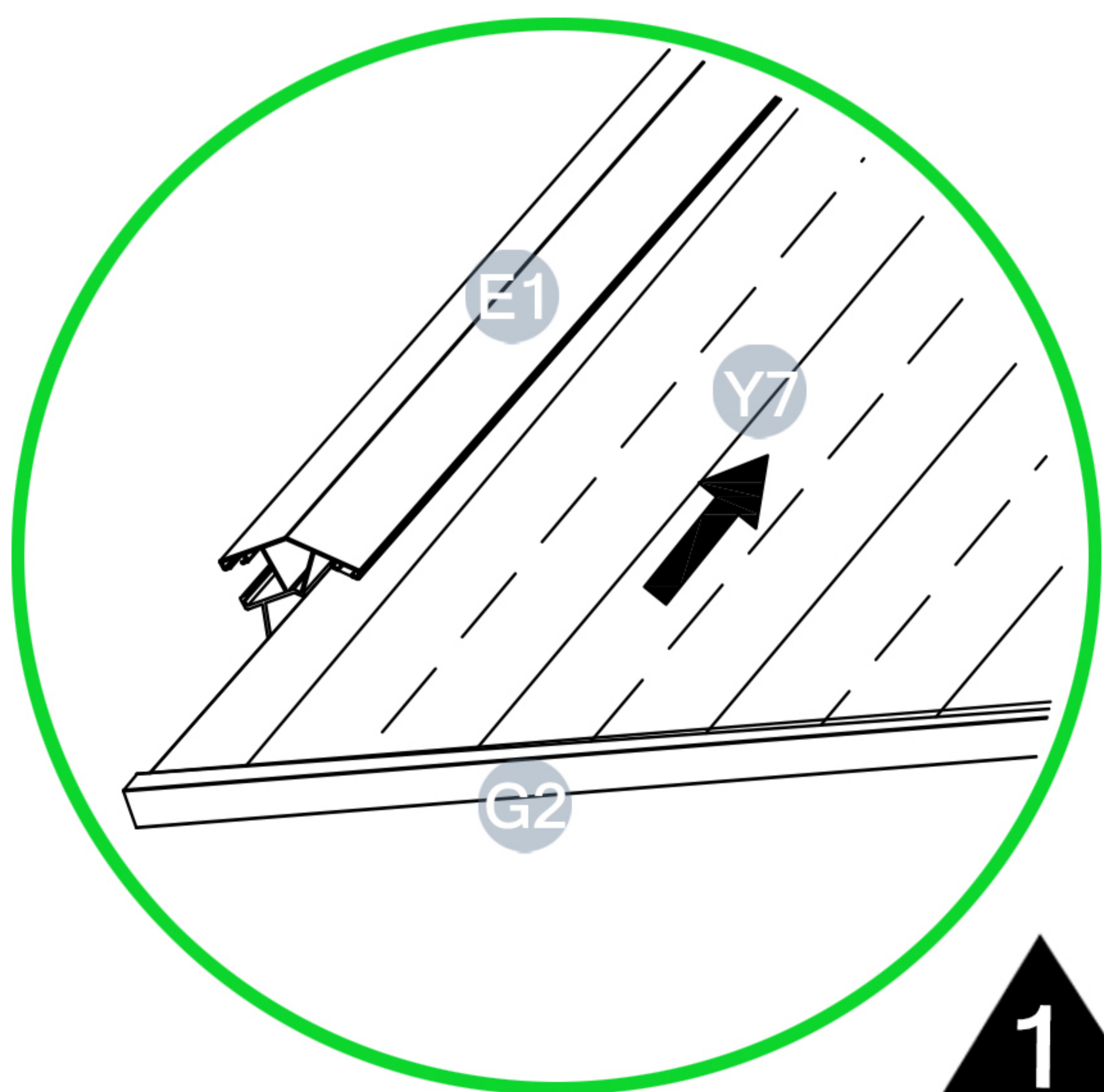
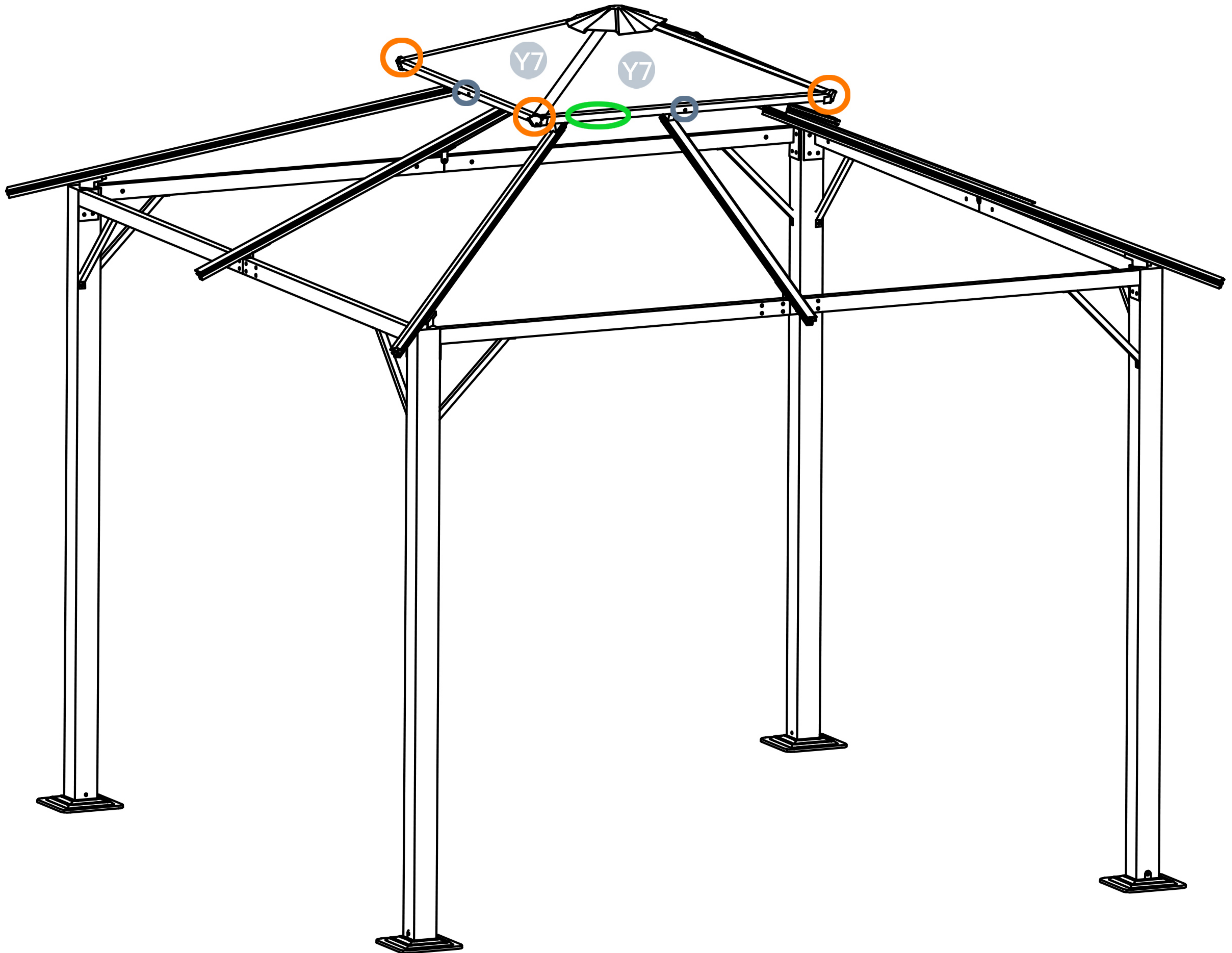


M9 4pcs

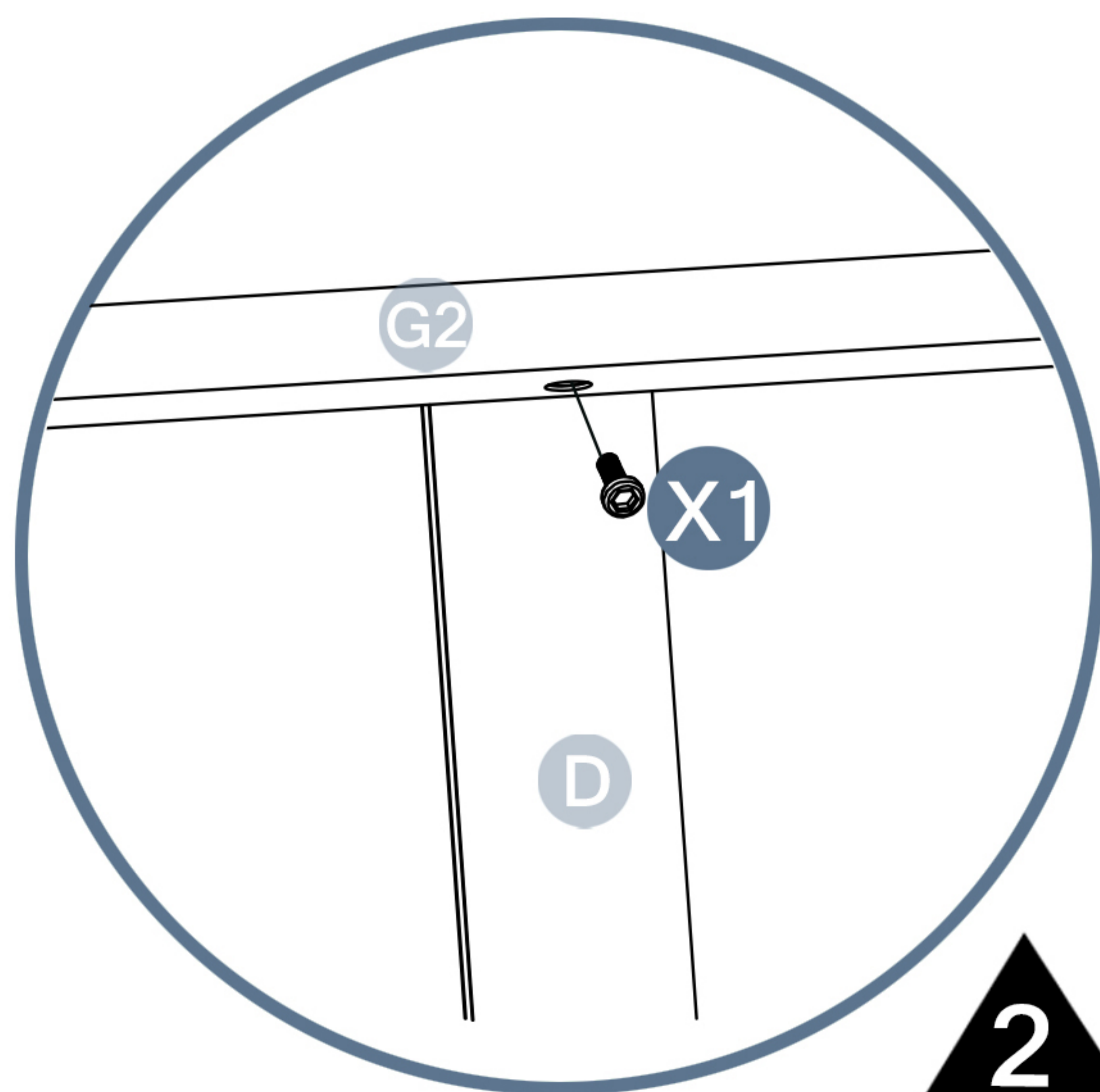


X1 8pcs

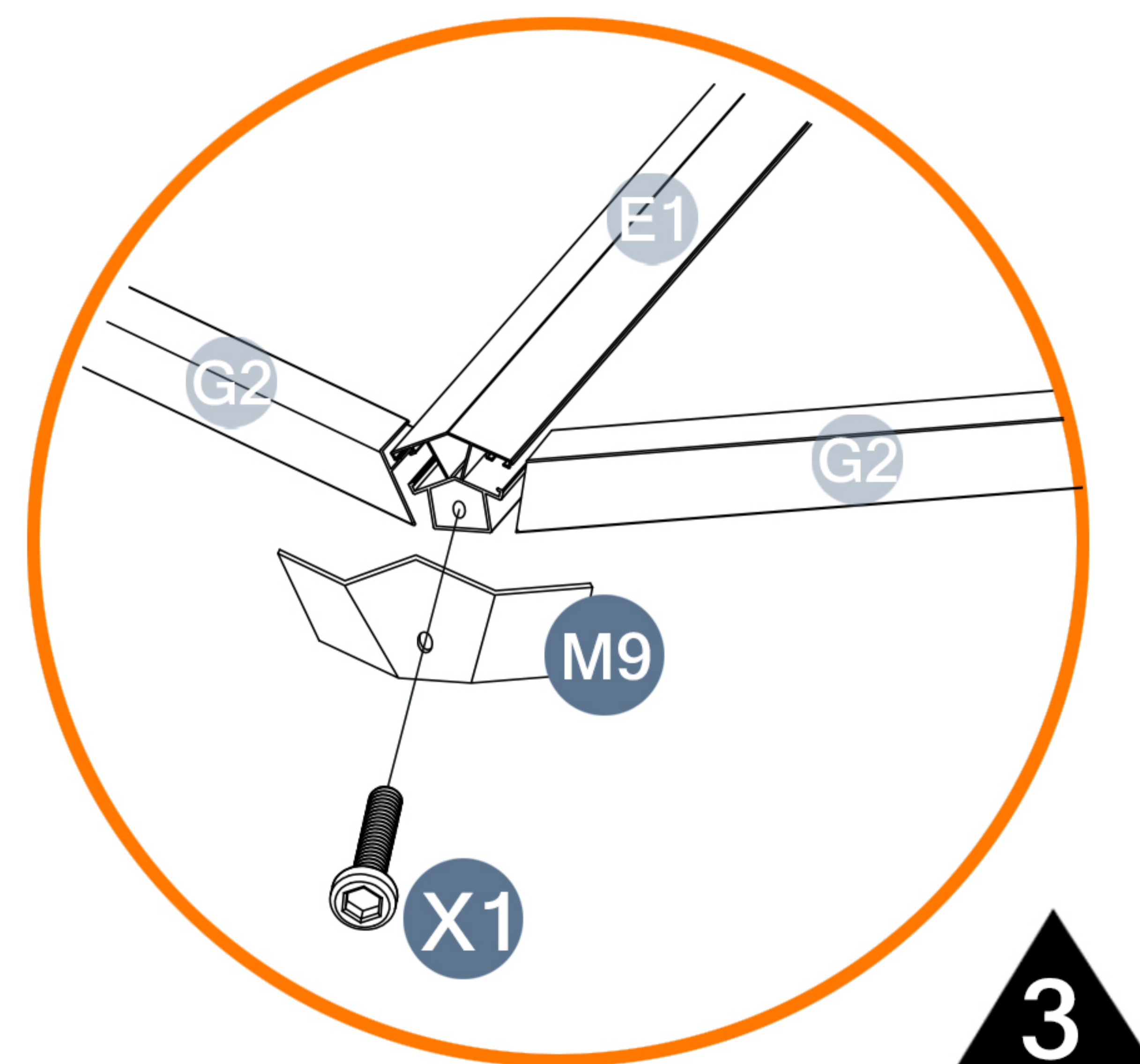
1 → 2 → 3



1



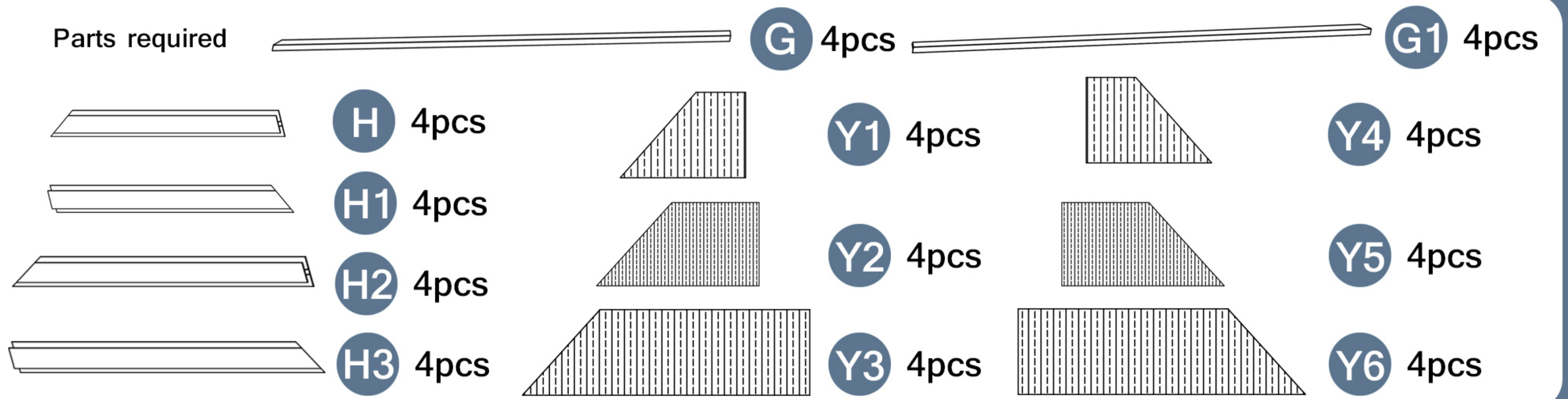
2



3

STEP 13

Parts required



Accessories **Y1** **Y2** **Y3** **Y4** **Y5** and **Y6** are covered by layers with explanatory notes showing front and back sides.



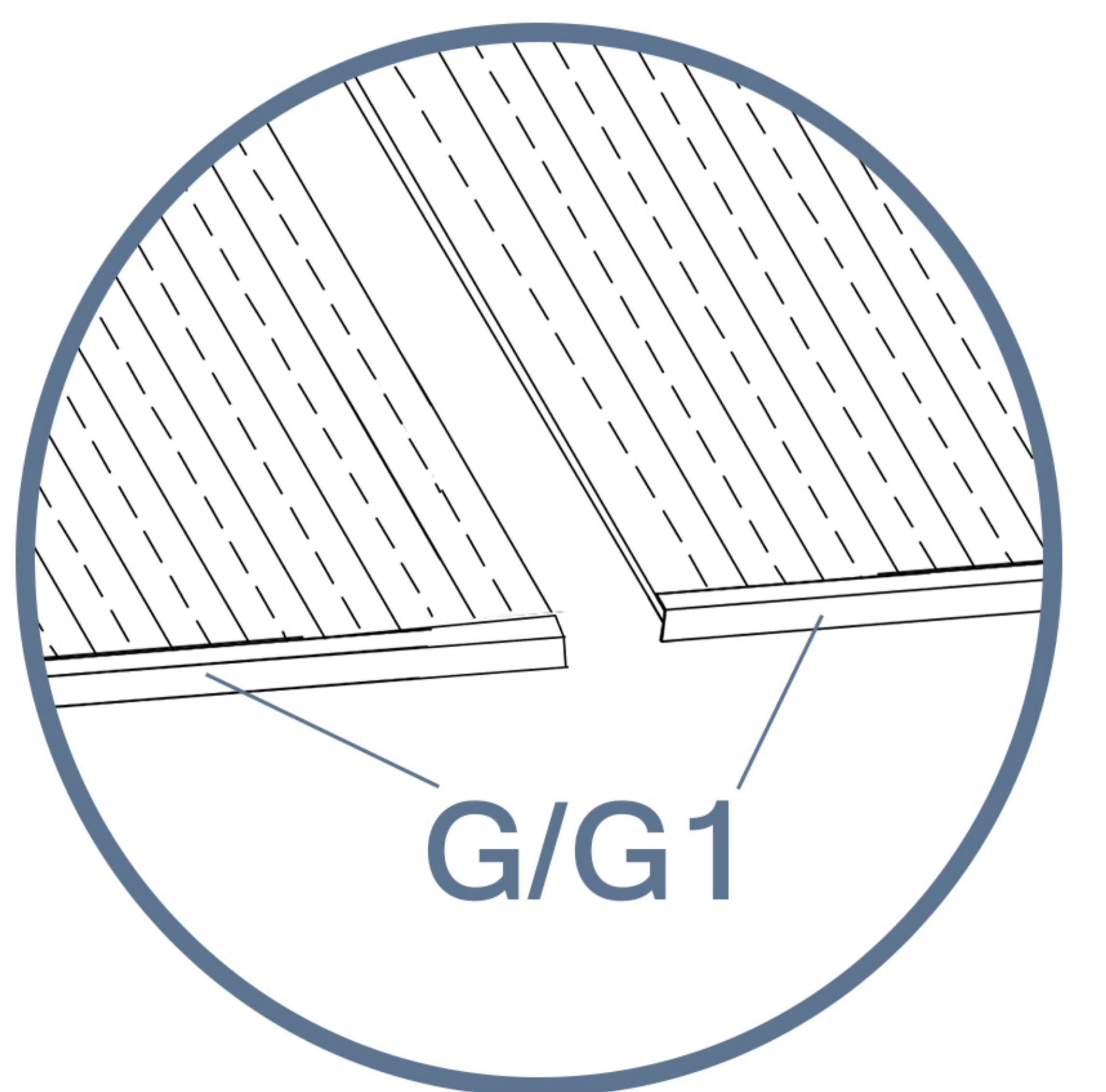
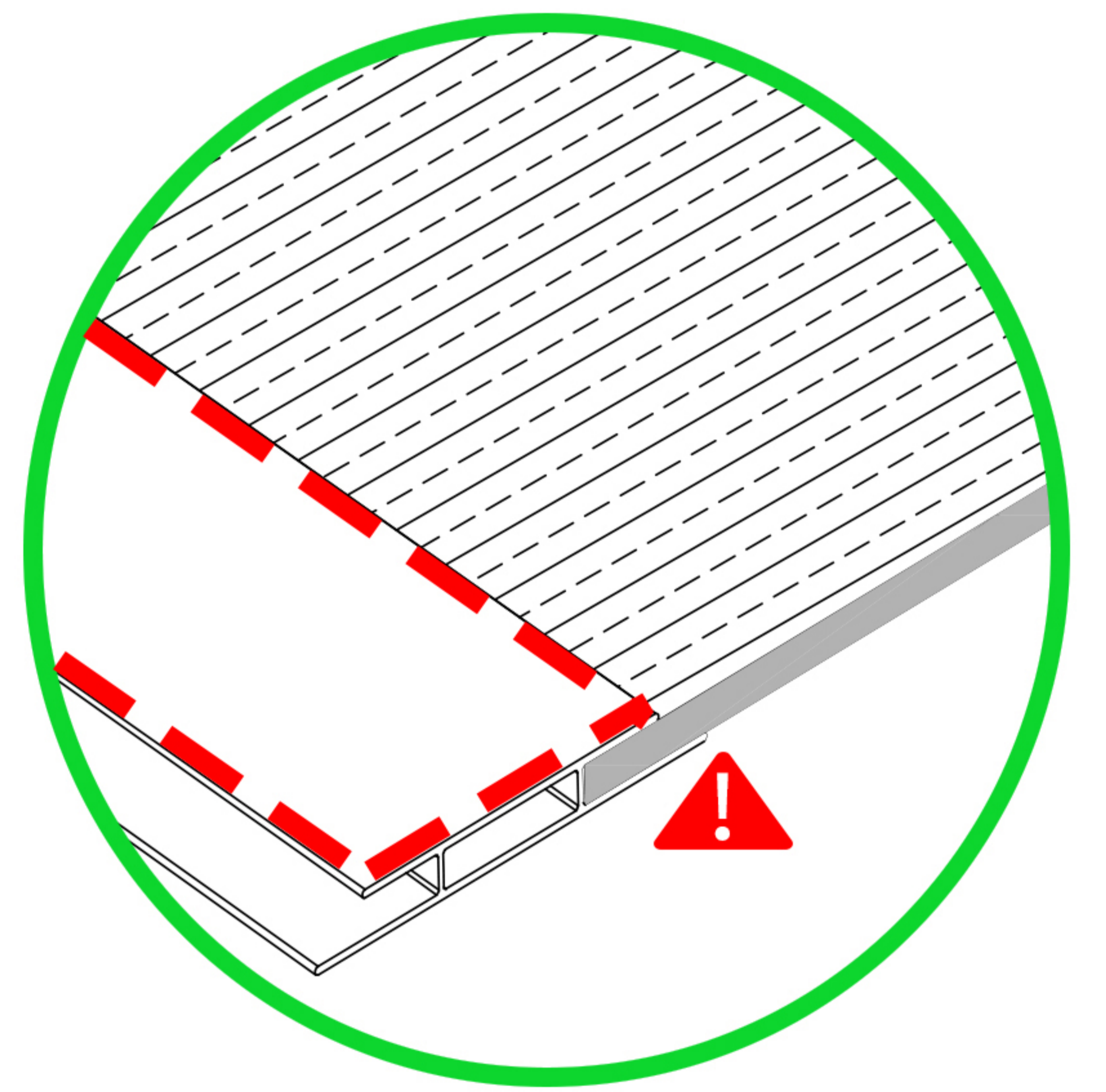
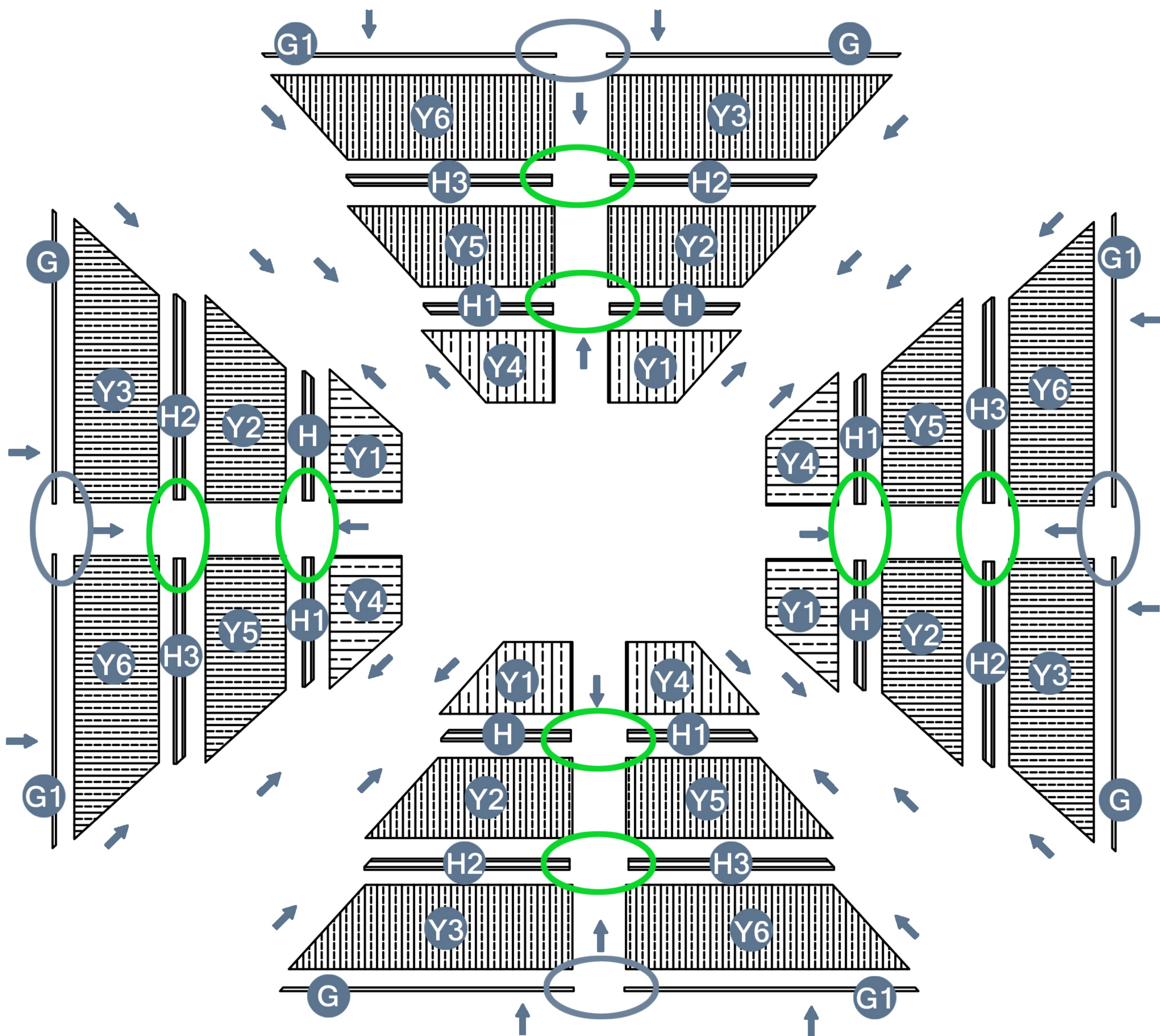
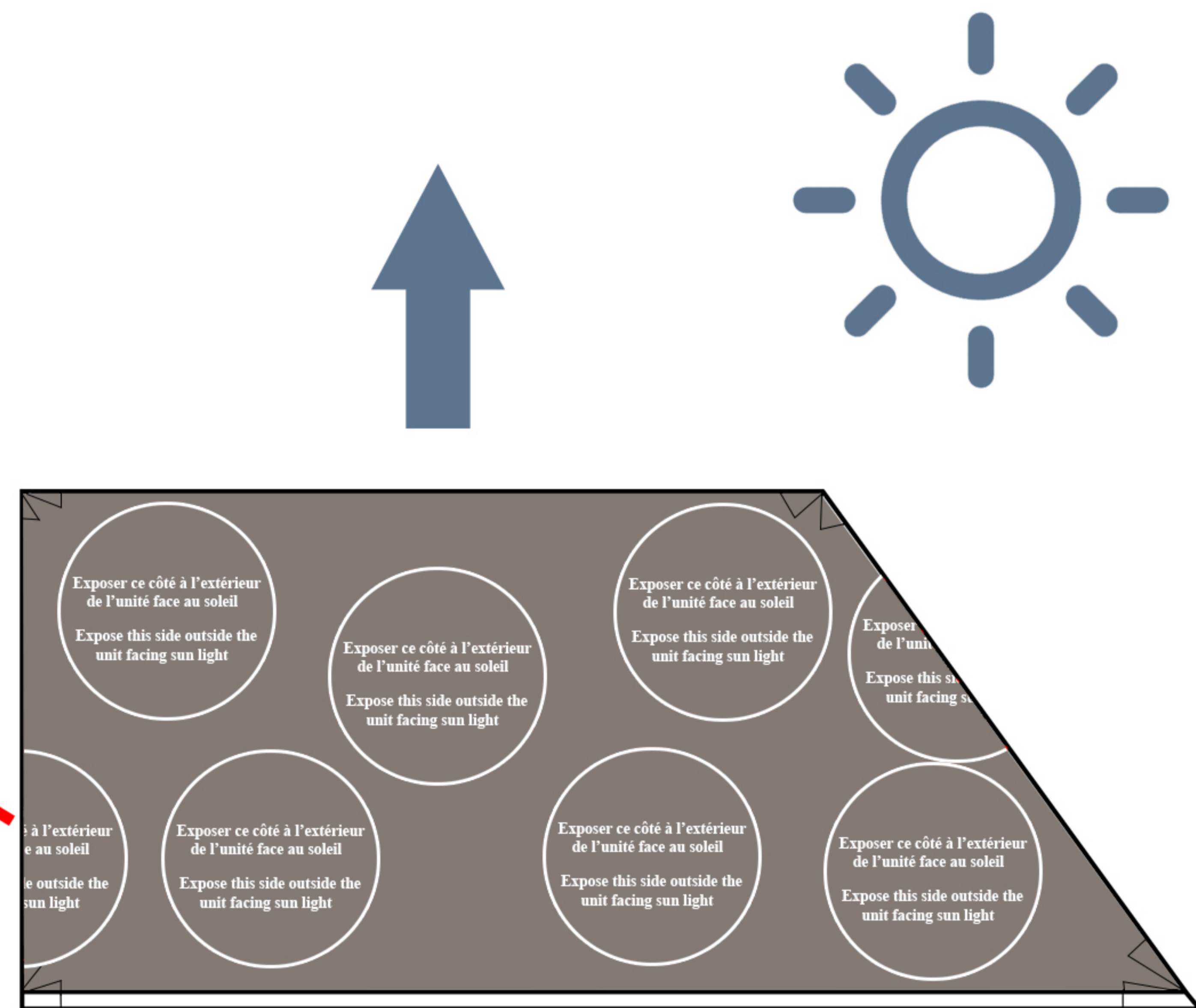
Use these notes to correctly put accessories in place.

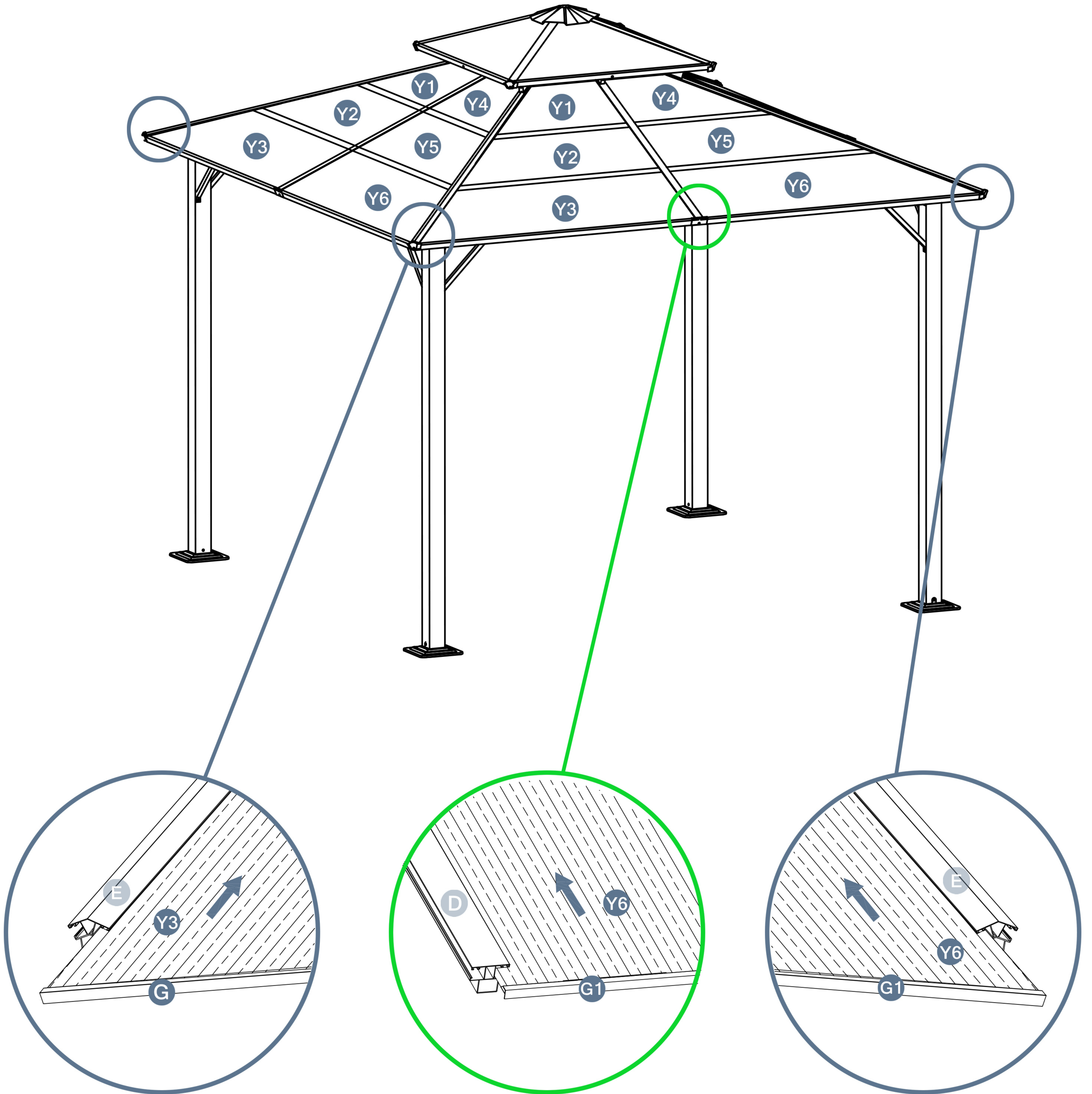
Make sure the narrower area marked in red on **H** **H1** **H2** **H3** always faces the upwards. The wrong side is easy to be leaking.



Exposer ce côté à l'extérieur de l'unité face au soleil

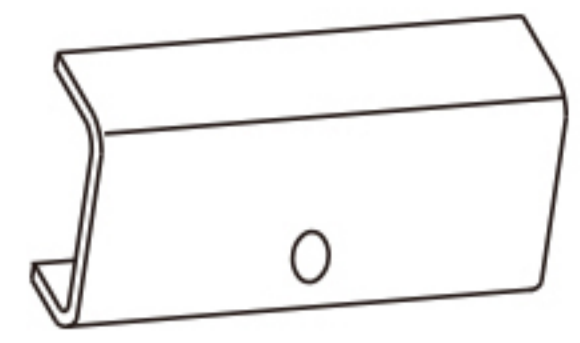
Expose this side outside the unit facing sun light



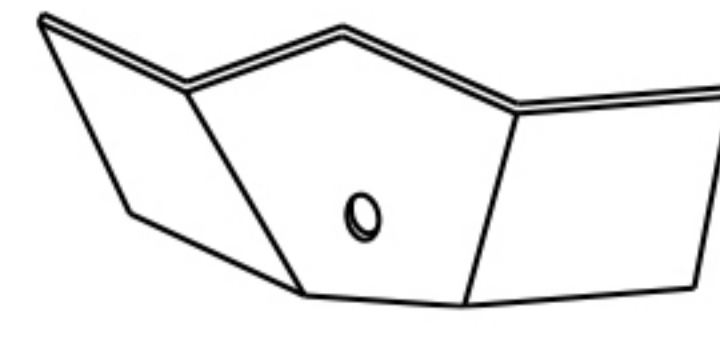


STEP 14

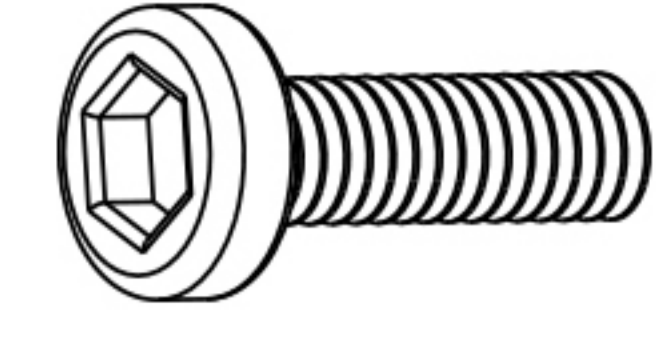
Parts required



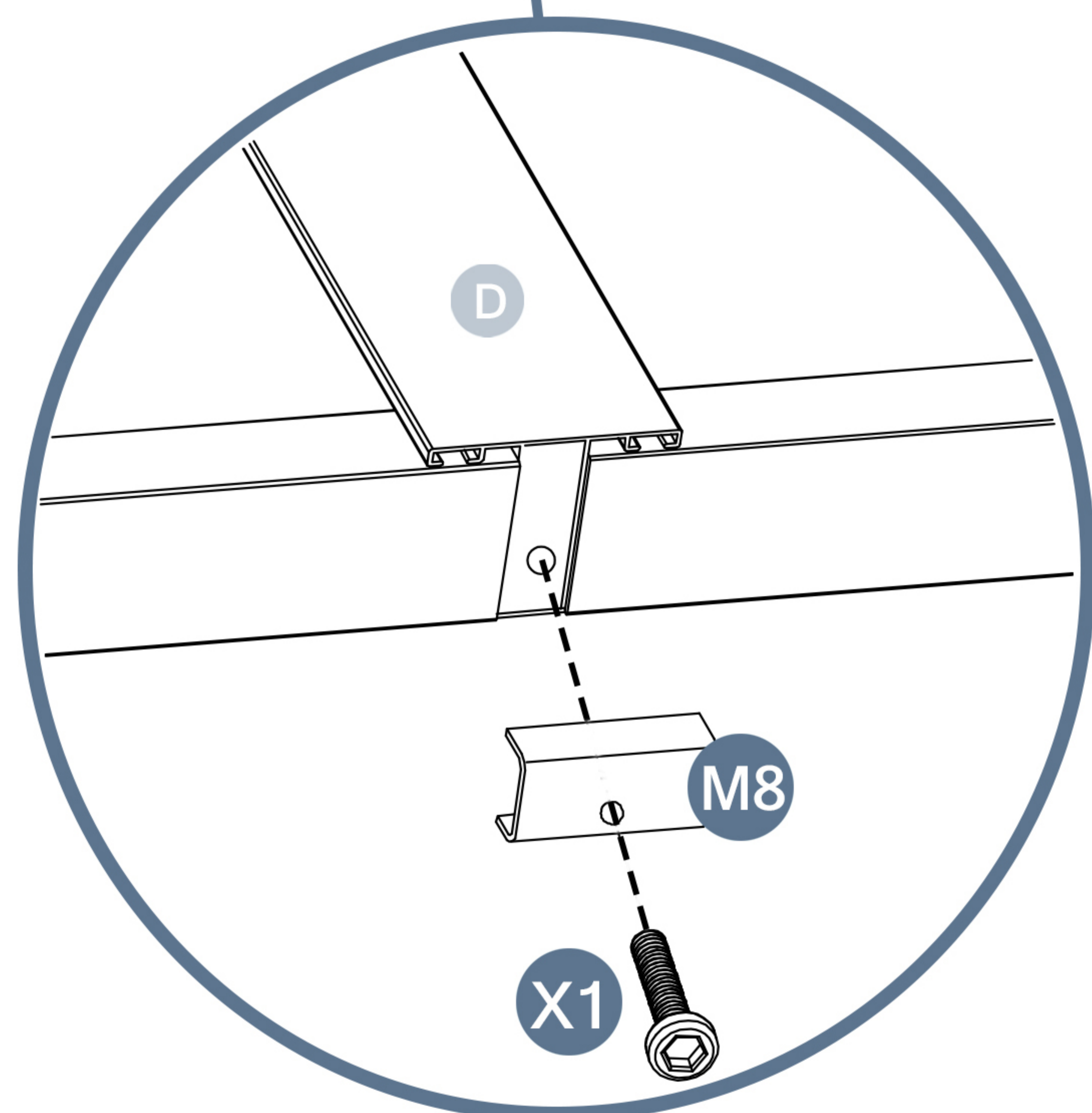
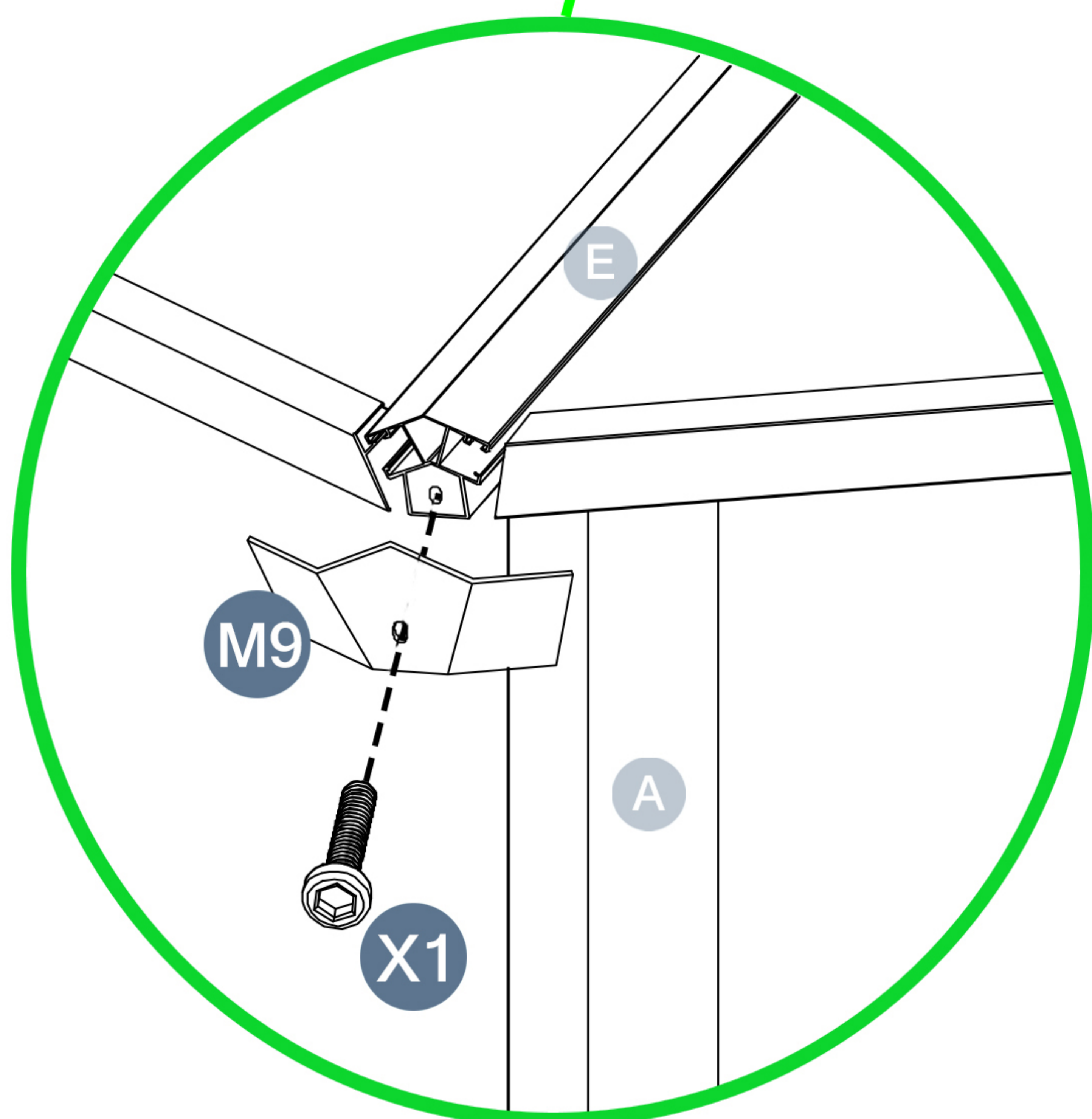
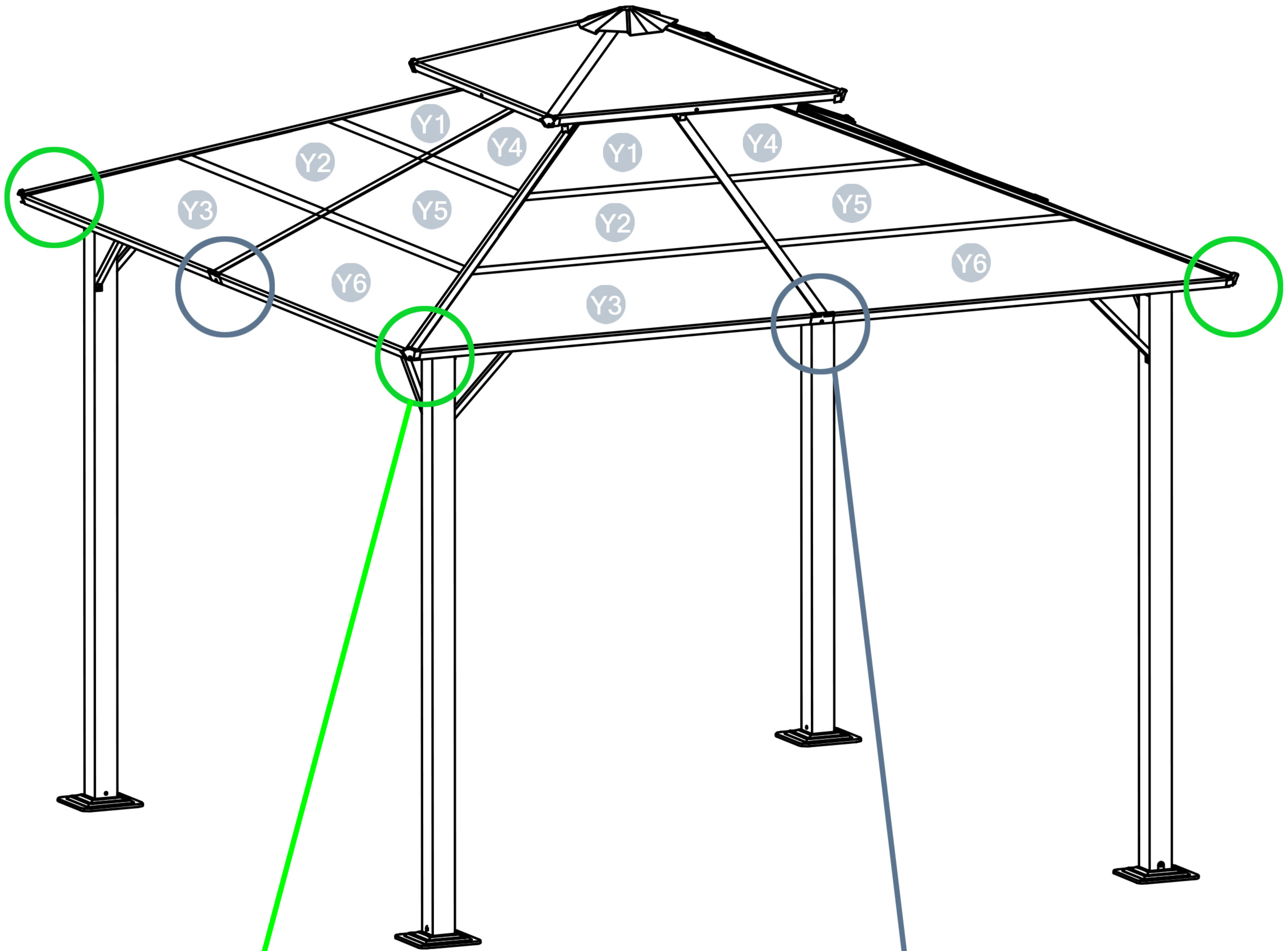
M8 4pcs



M9 4pcs

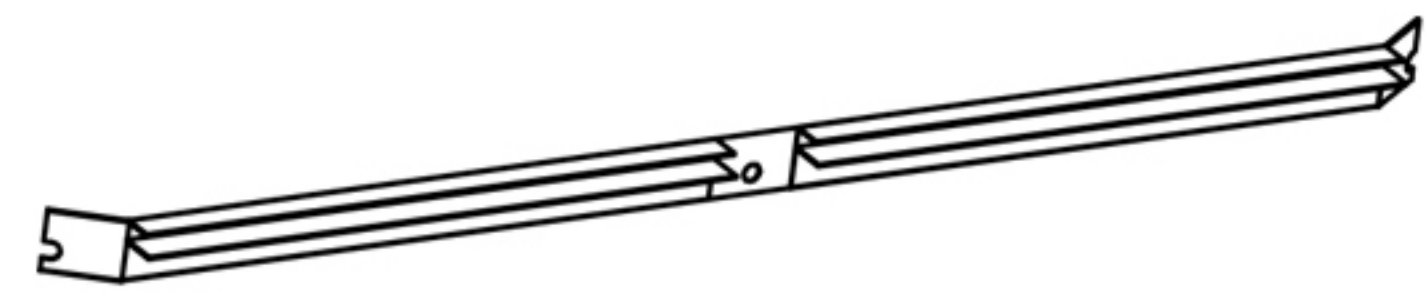


X1 8pcs

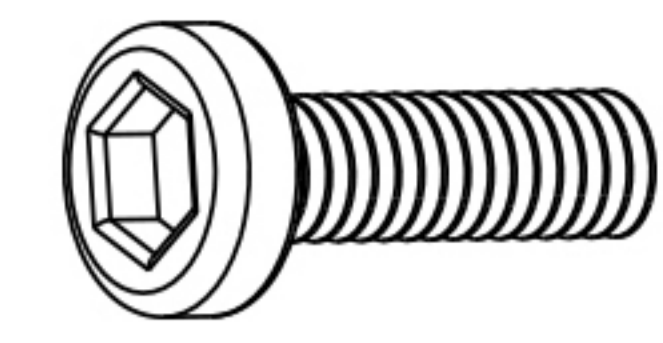


STEP 15

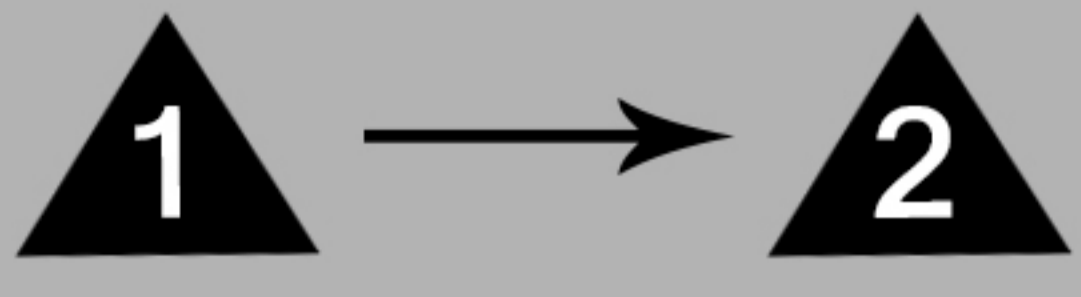
Parts required



G3 4pcs

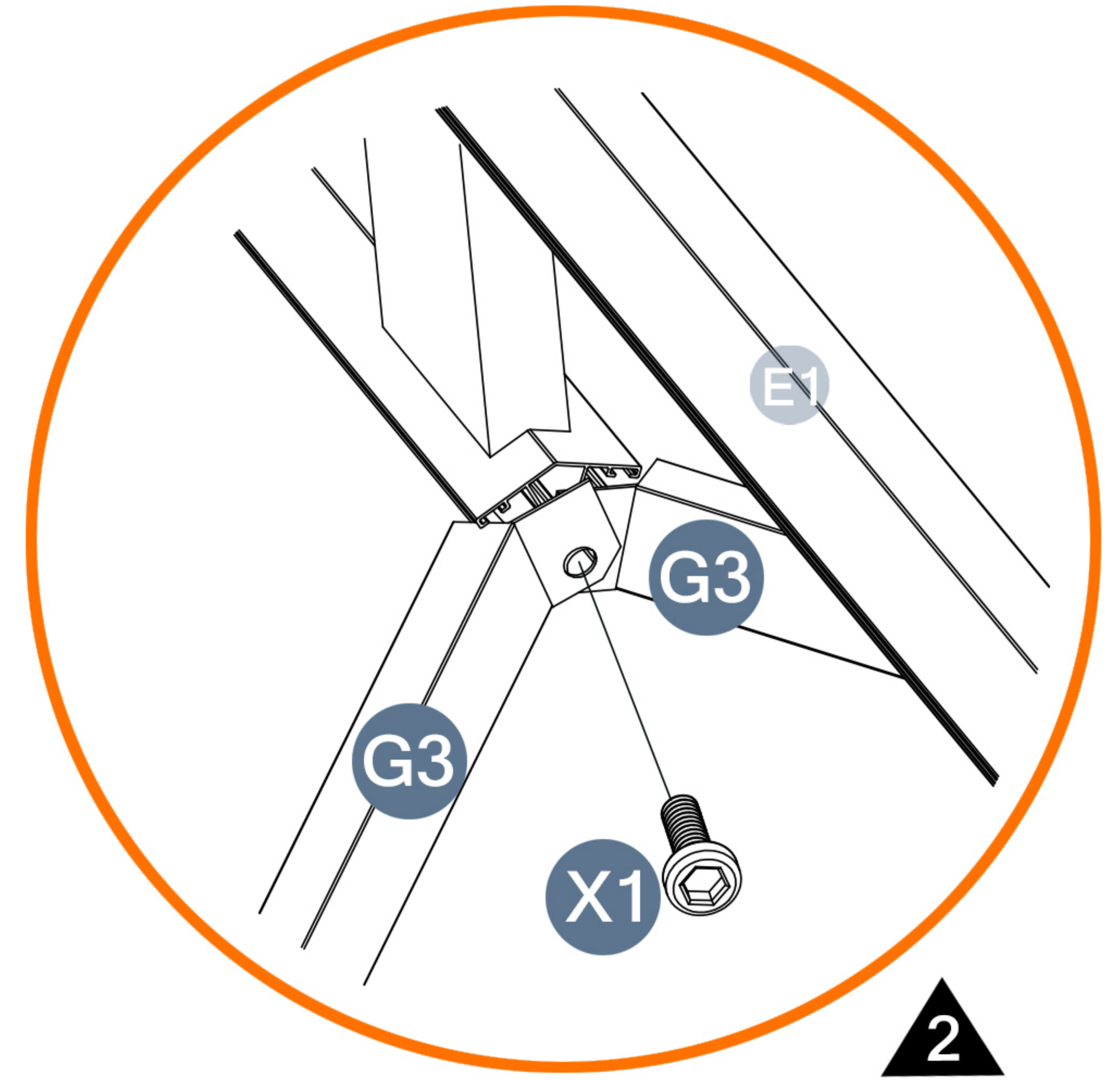
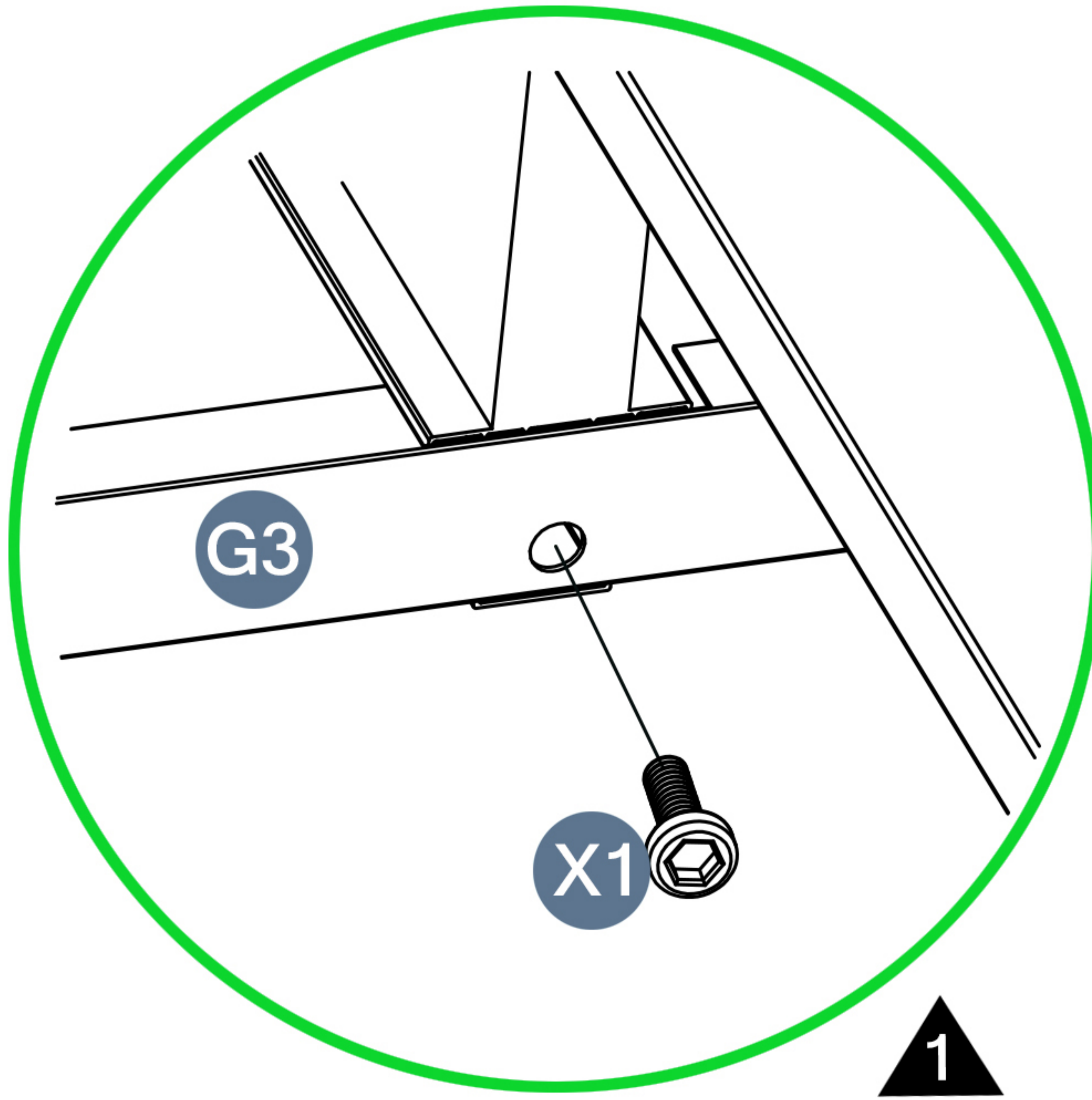
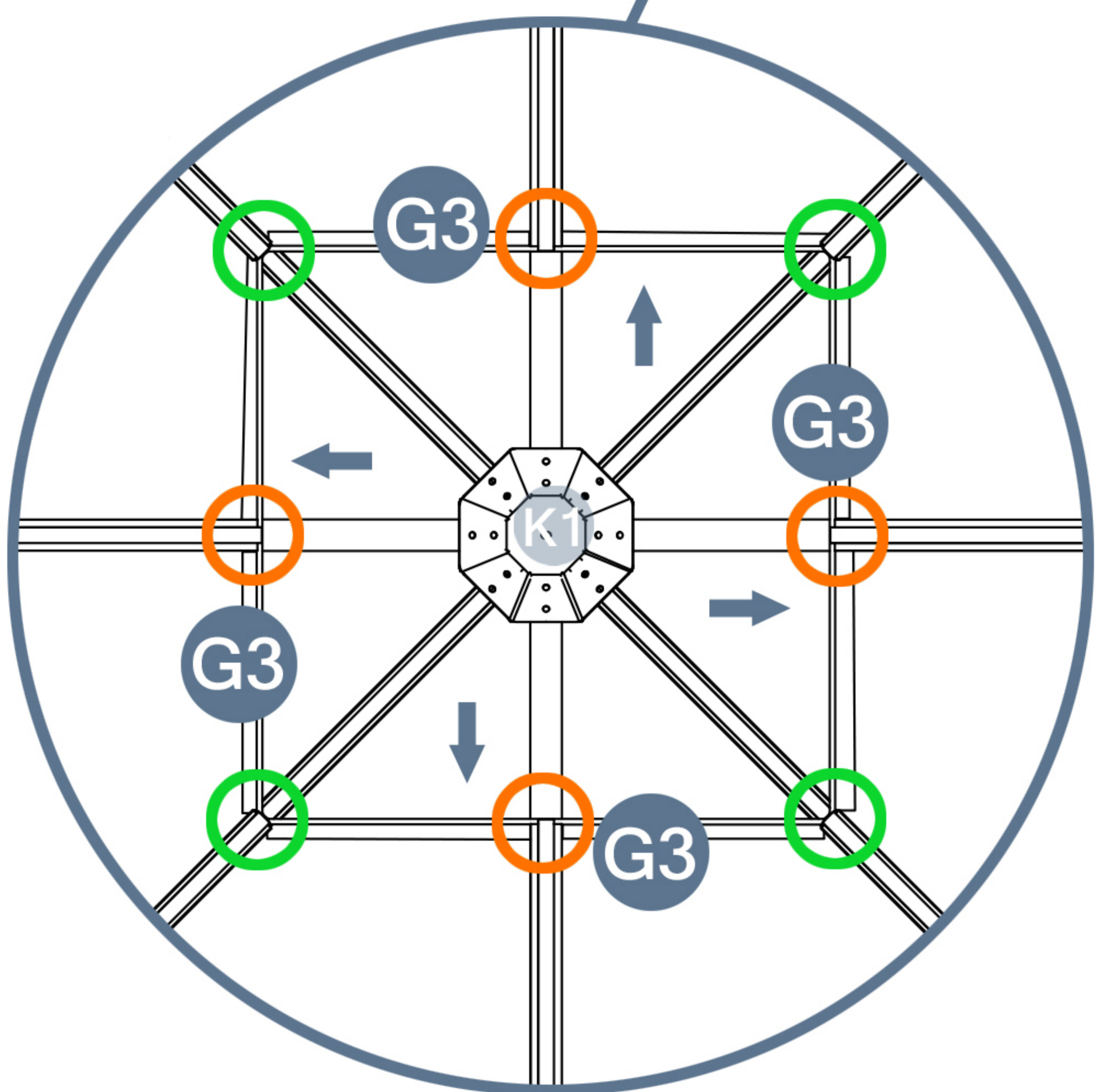
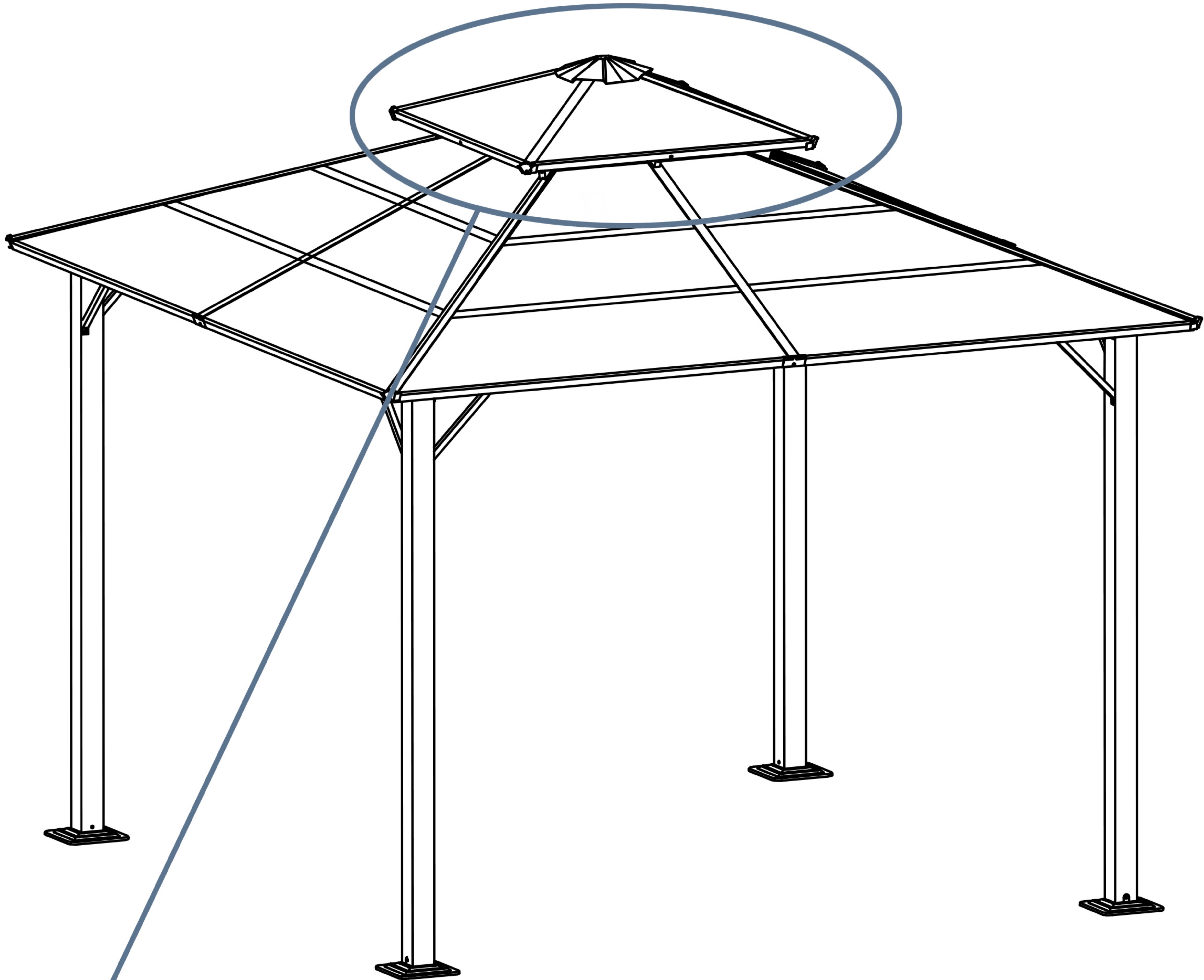


X1 8pcs



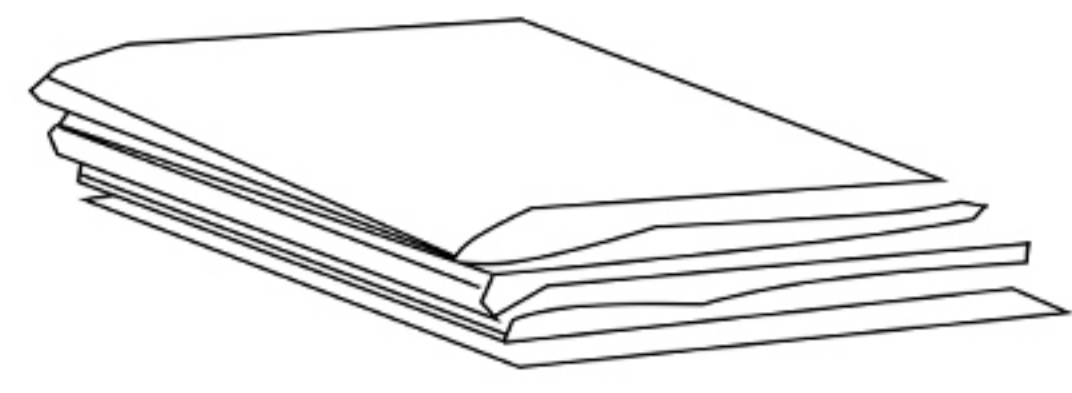
It can be installed from the inside.

To better align the screws for practical situations, do not fully tighten screws initially.

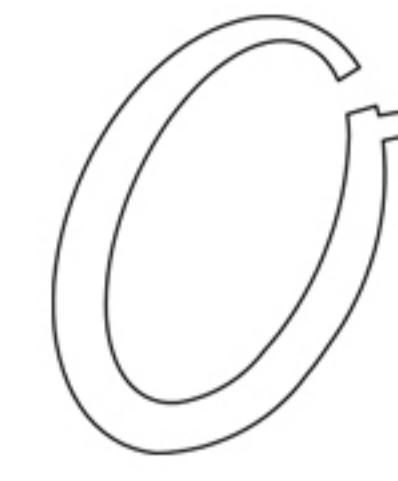


STEP 16

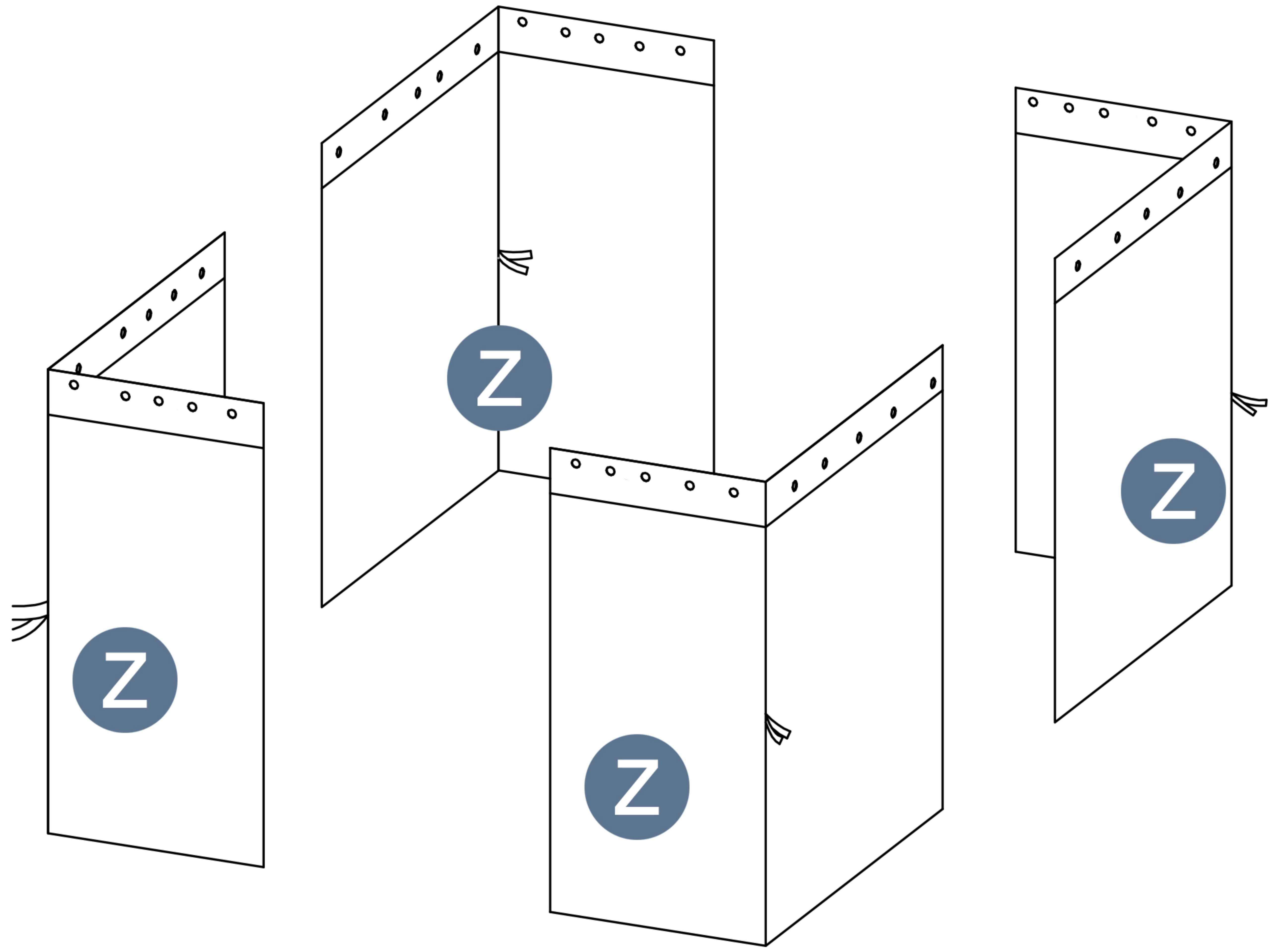
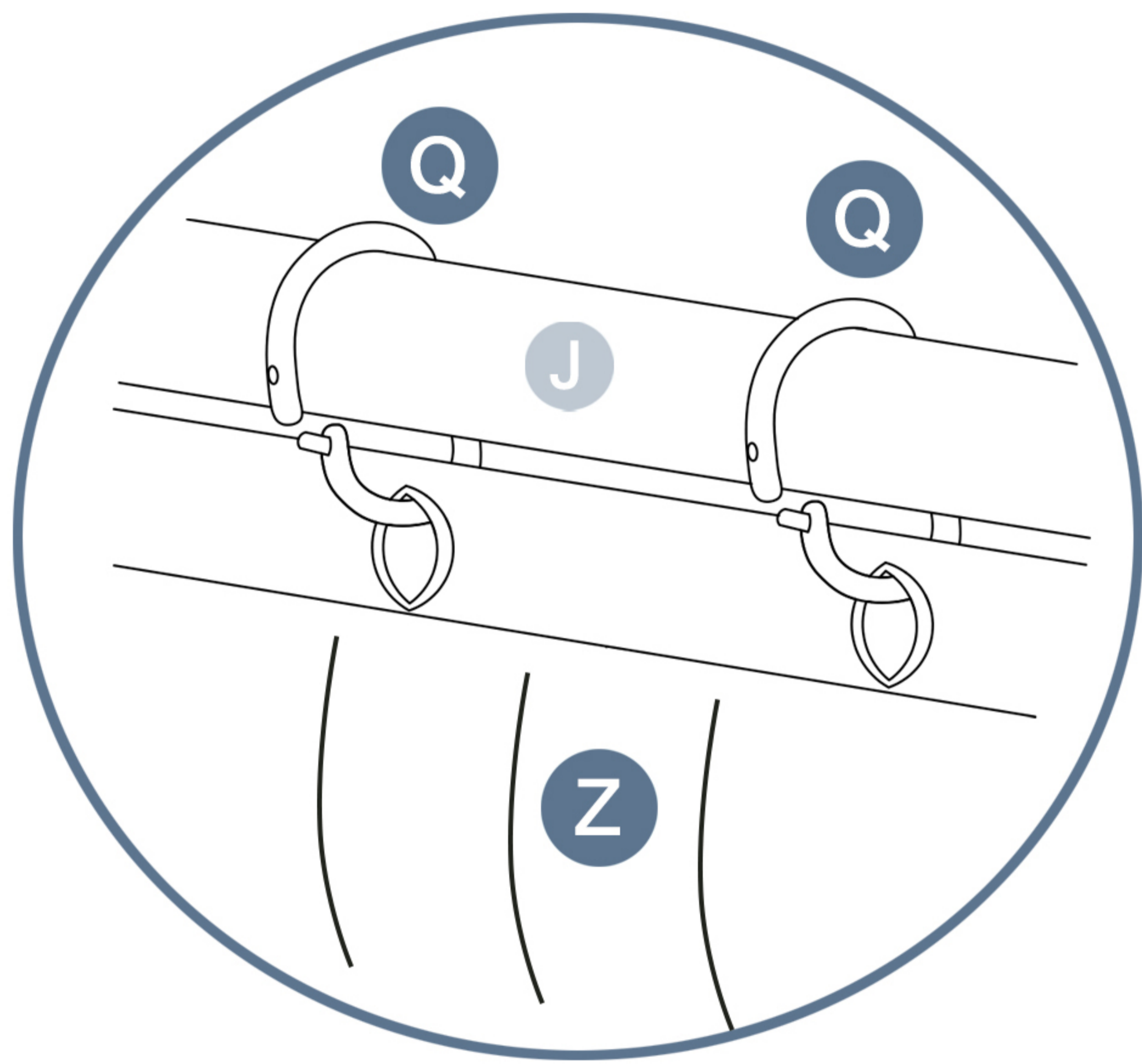
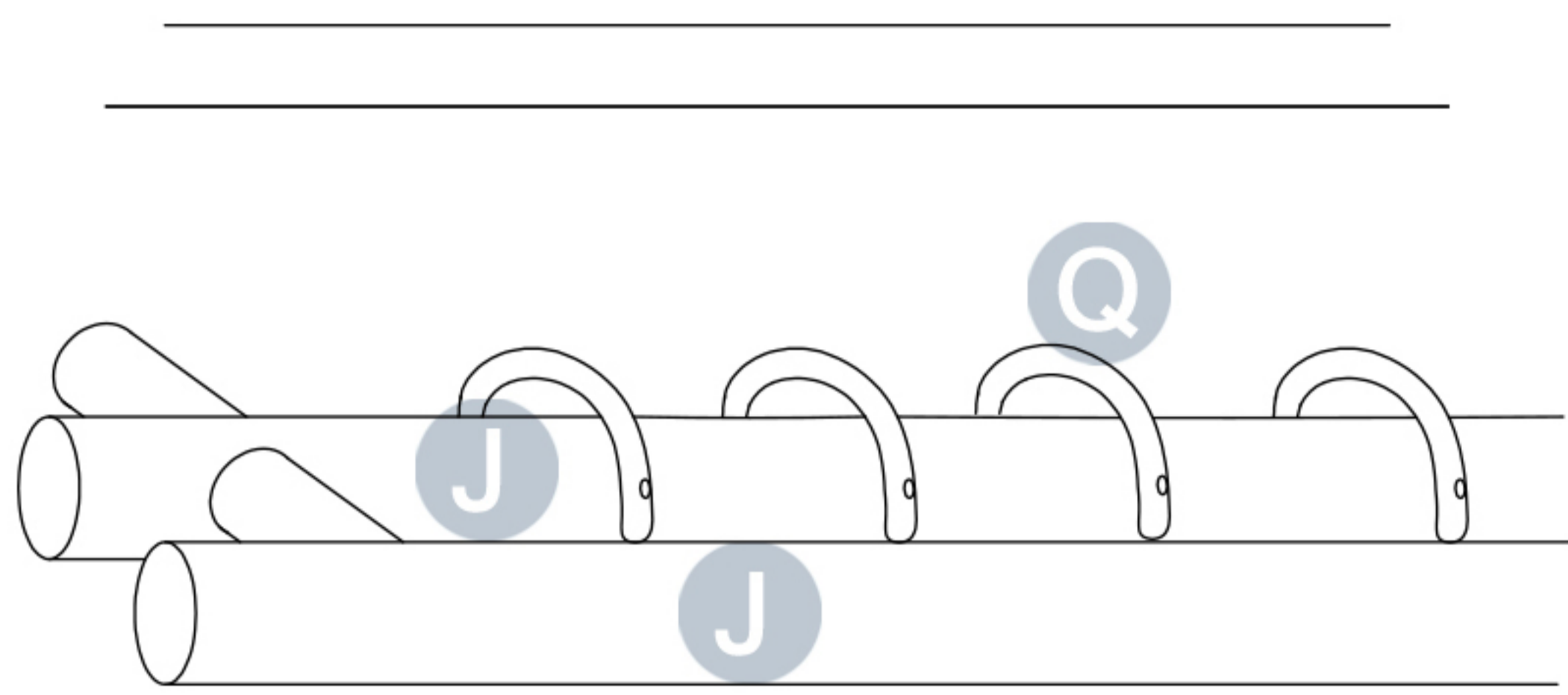
Parts required



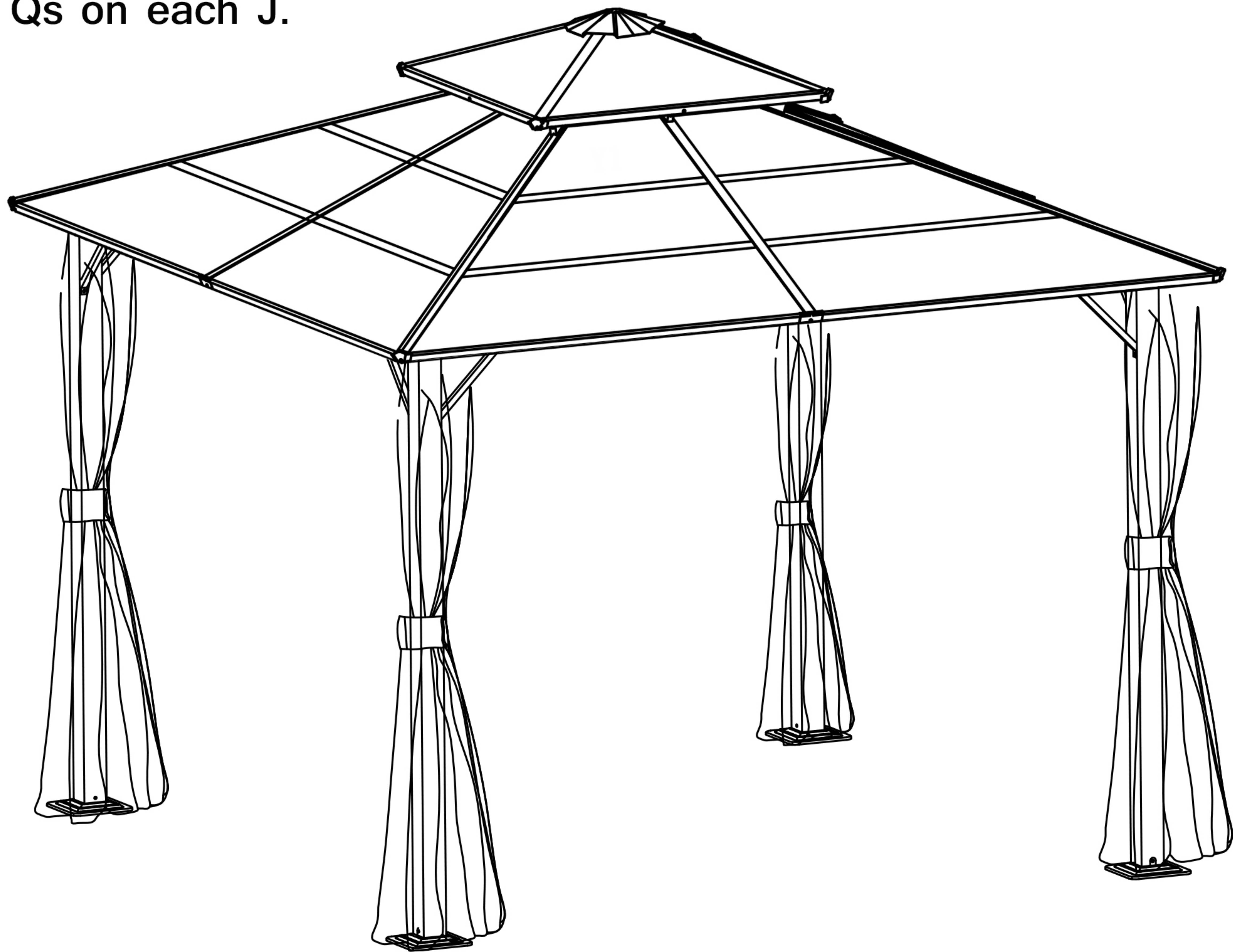
Z 1pcs



Q 40pcs

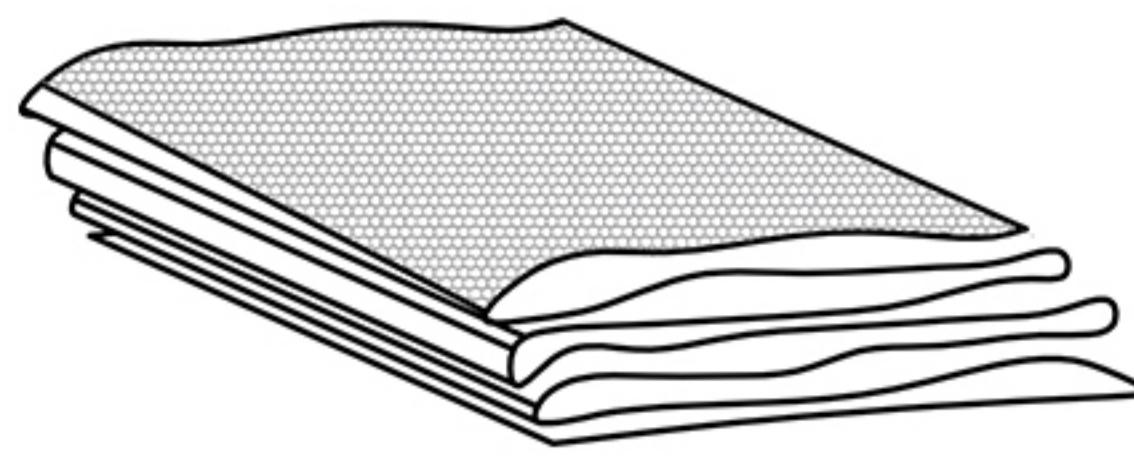


There are 5 Qs on each J.

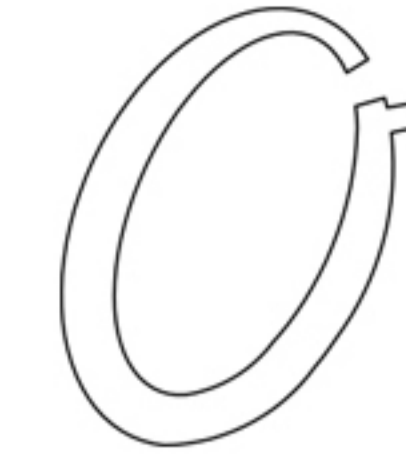


STEP 17

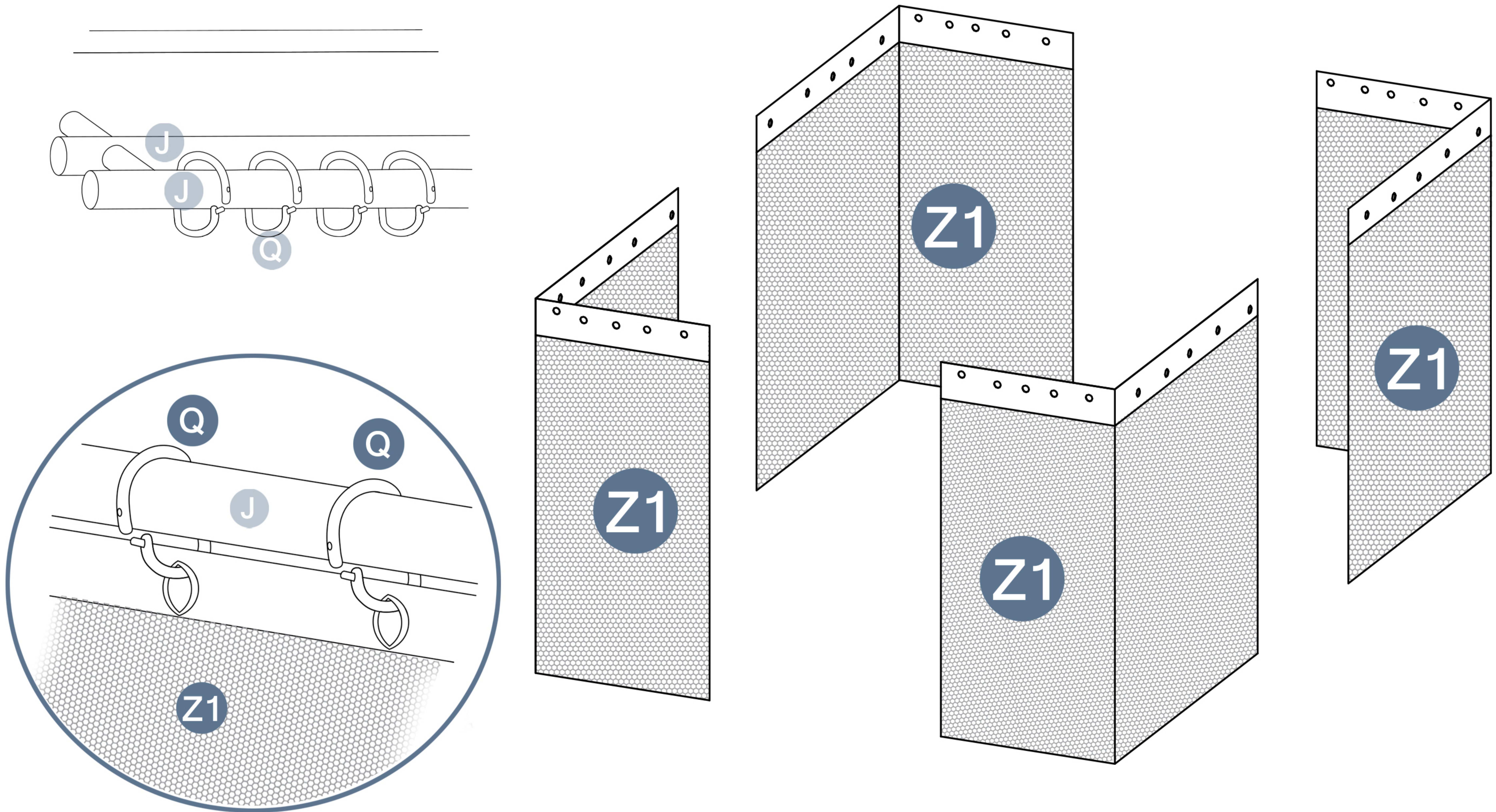
Parts required



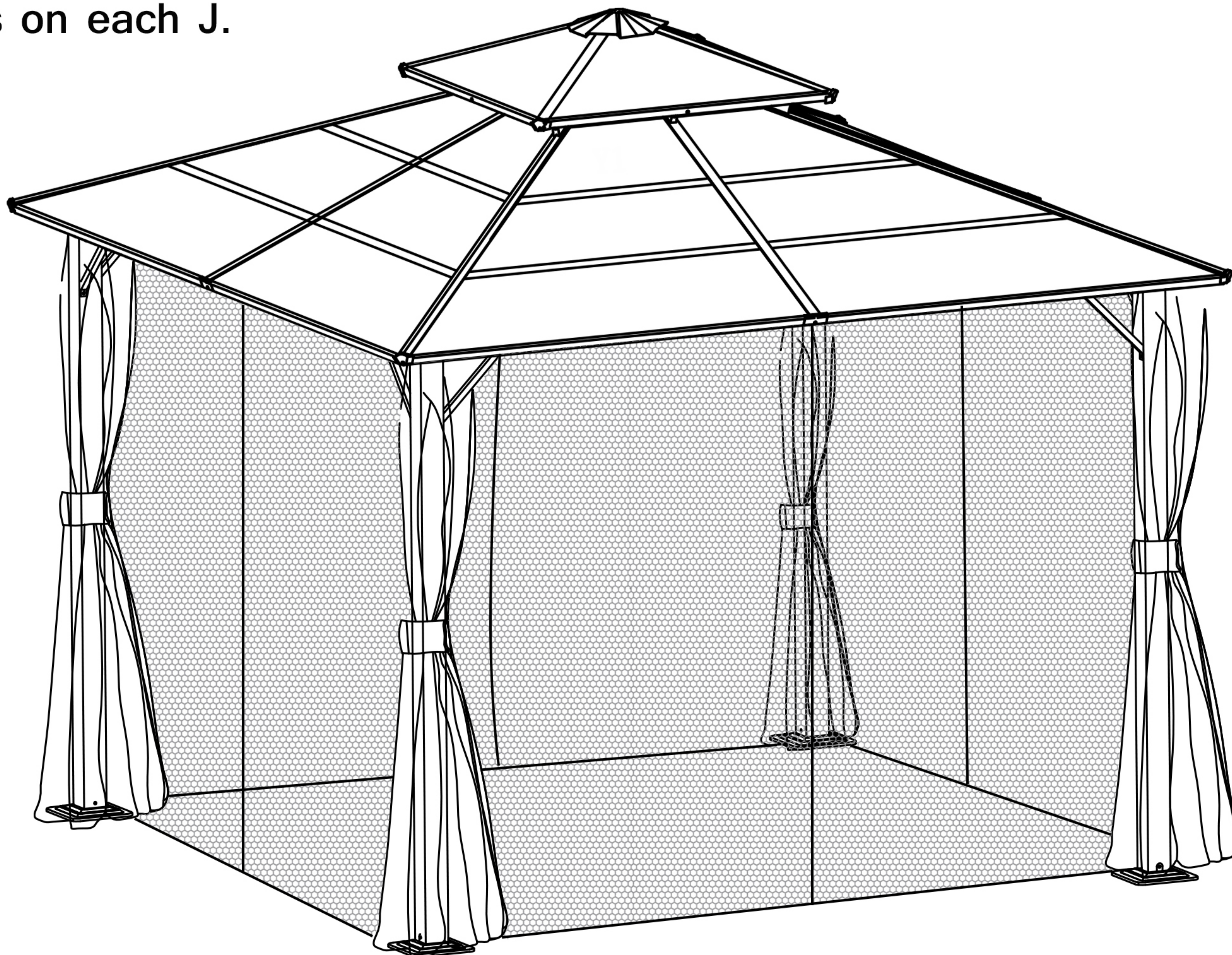
Z1 1pcs



Q 40pcs

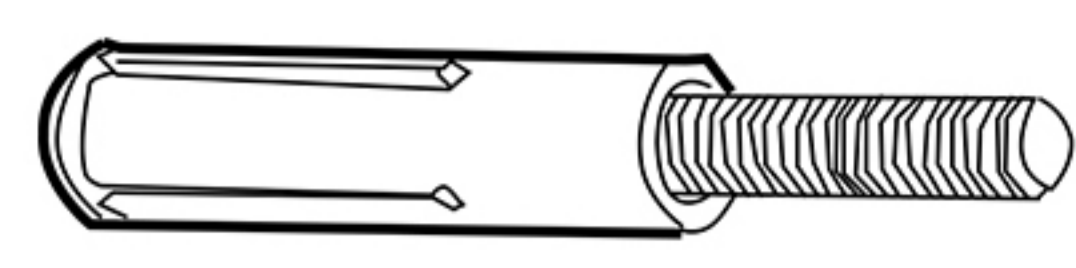


There are 5 Qs on each J.



STEP 18

Parts required

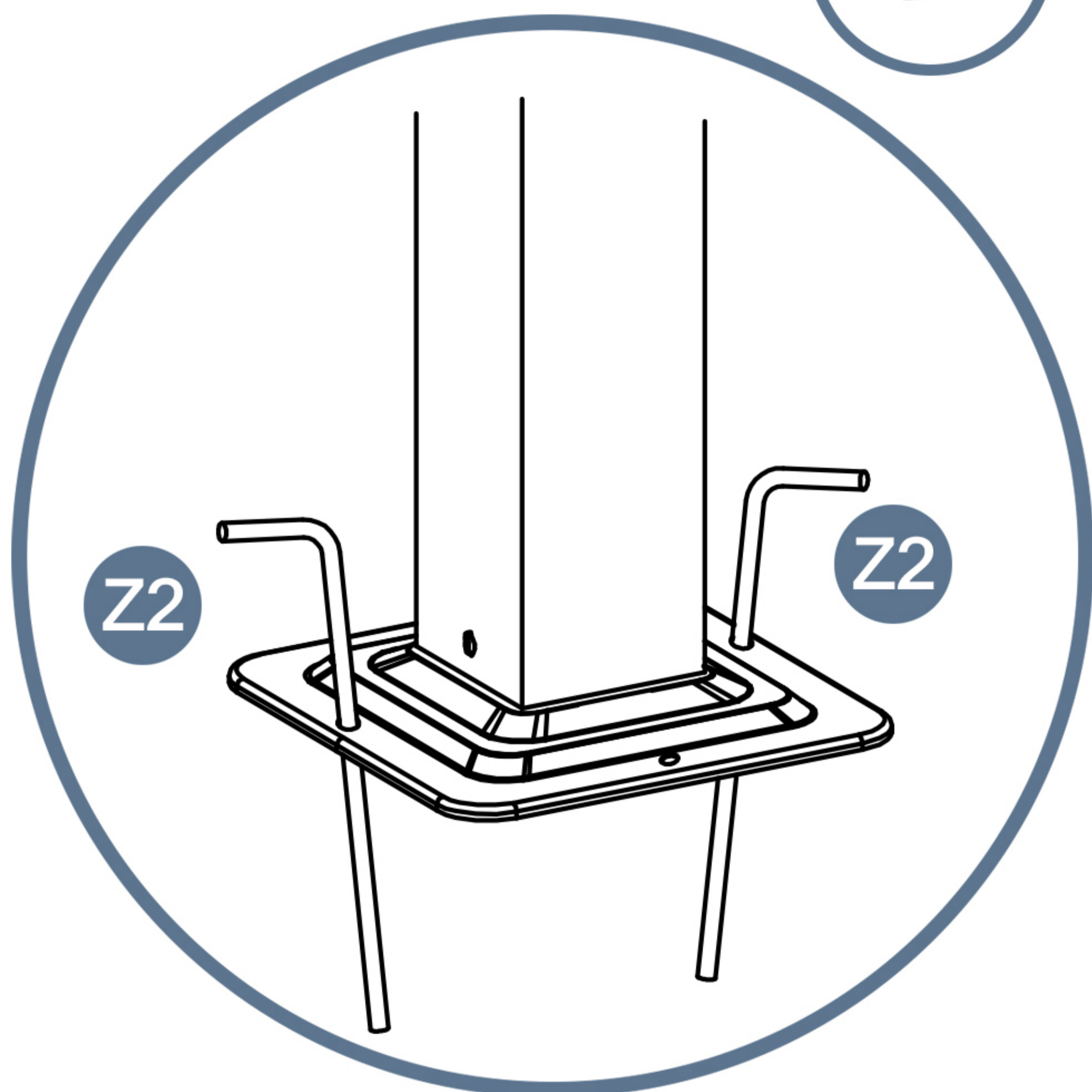
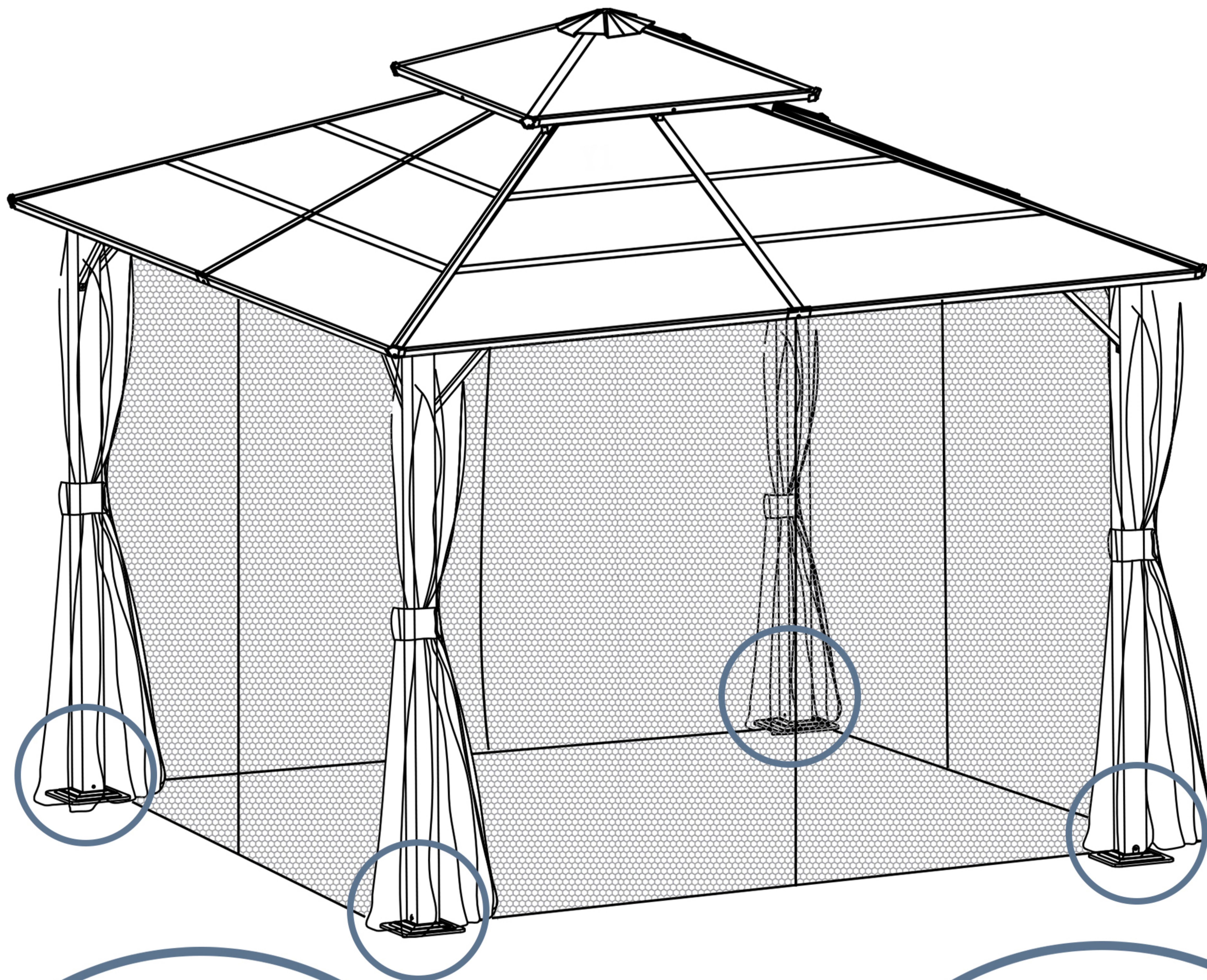


Z3 8pcs

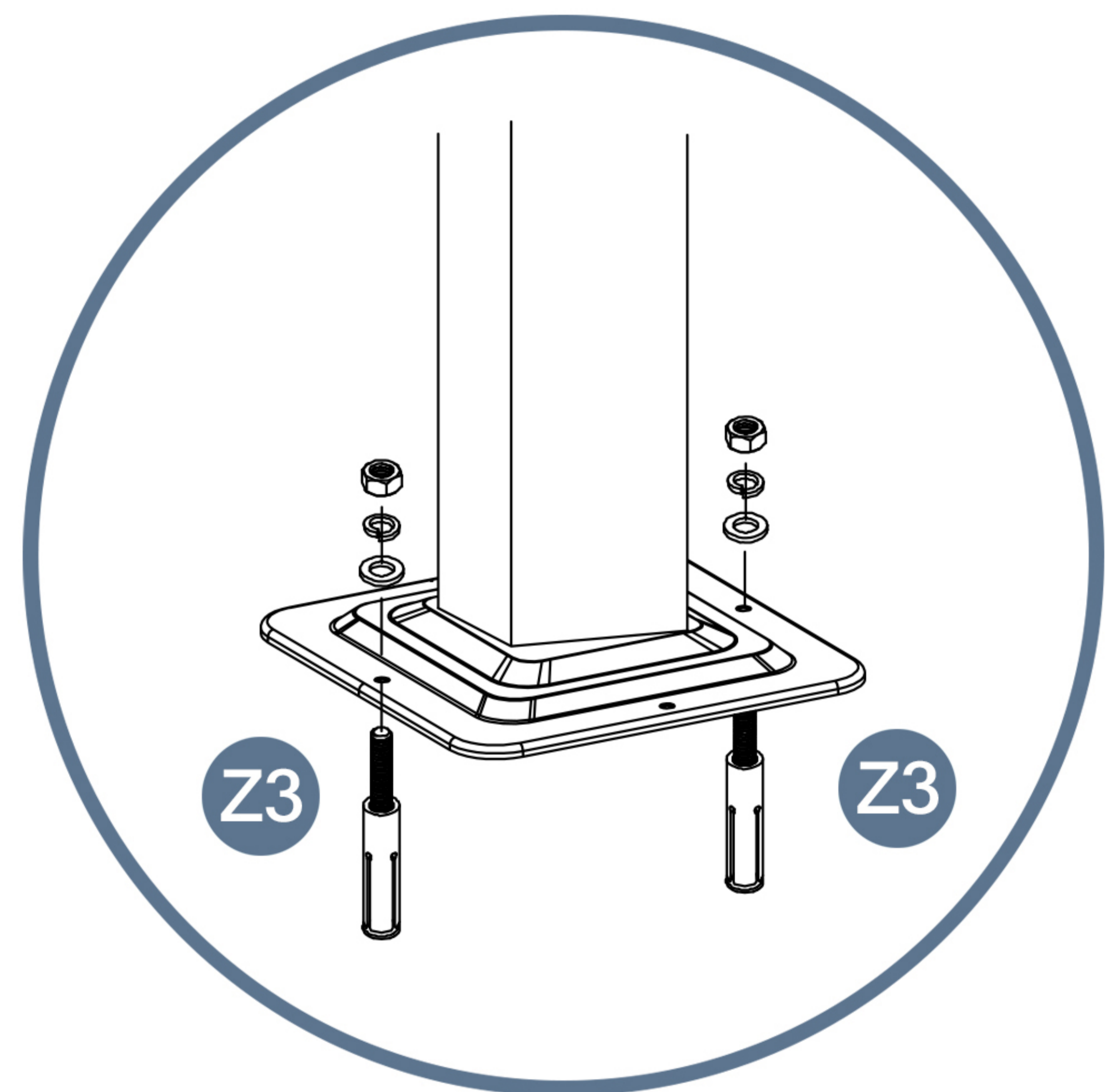


Z2 8pcs

To improve stability of gazebo, expansion screws and ground nails are very necessary. Expansion screws use for cement surfaces, ground nails use for grassy surfaces. Expansion screws are included in the package but ground nails are not provided.



OR



!!! For safety's sake, please check and make sure that all screws are tightened after all installation is complete.

Installation Completed

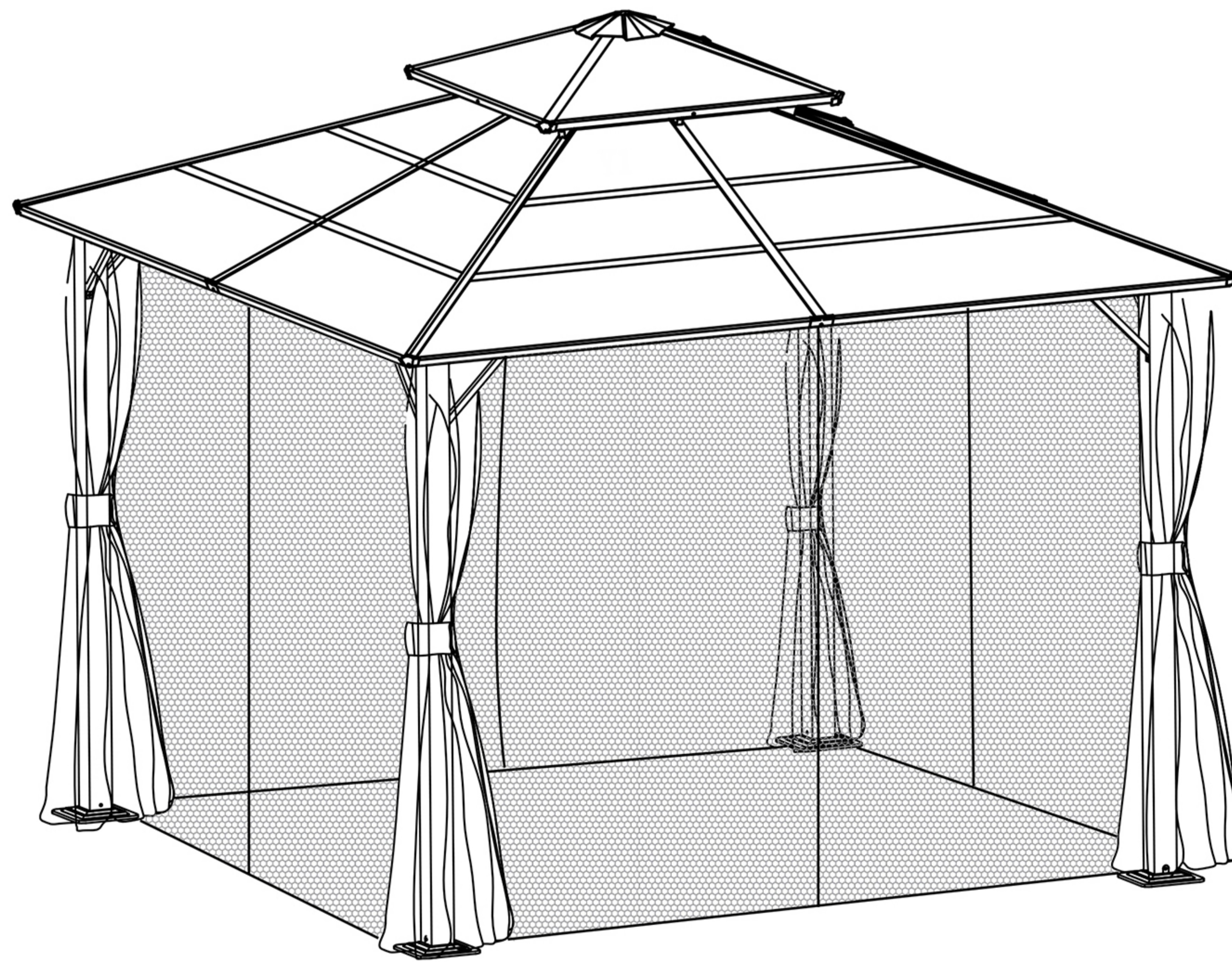
Hope you enjoy this product.

If you have any concerns about gazebo Installation, please feel free to contact us. We will reply within 24 hours.



E-mail: cs.helper01@gmail.com

12X12FT



SKU:B-PYSS24-G034-1
B-PYSS24-G034-2
B-PYSS24-G034-3
B-PYSS24-G034-4