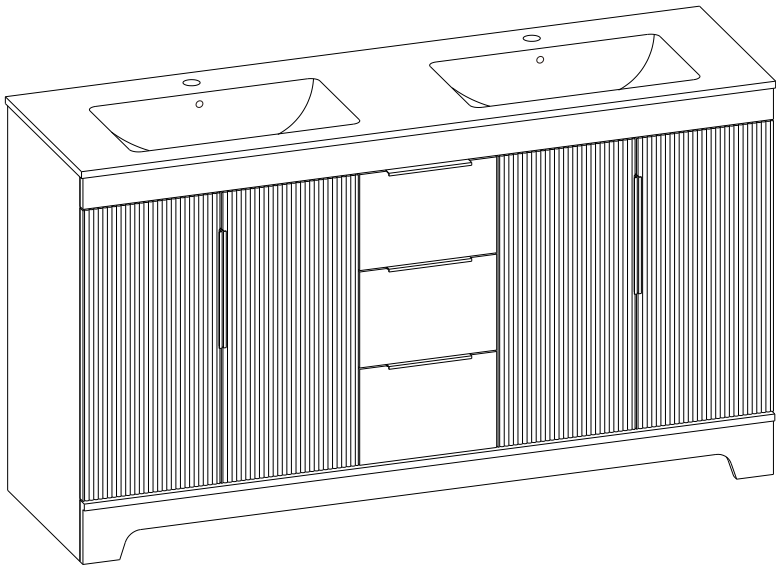


ASSEMBLY INSTRUCTION

ITEM NO. THKFBV263



IMPORTANT NOTICE

Workspace Safety

Keep the workspace clear of clutter and ensure it's well-lit. A clean, flat surface is essential.

Read Instructions

Read the entire assembly guide before starting. Skipping steps can compromise safety.

Use Proper Tools

Use the tools provided or recommended. Avoid overtightening screws.

Secure Furniture

Anchor tall or heavy furniture to the wall to prevent tipping. This is crucial in homes with children or pets.

Handle Small Parts

Keep small parts away from children and pets to avoid choking hazards.

Get Help

Don't hesitate to ask for help with heavy or complex pieces.

Inspect Regularly

Periodically check for loose screws or wobbly parts and tighten as needed.

Follow these tips for a safe assembly process.

CARE AND CLEANING

Many cleaners contain abrasive and chemical substance which is not suitable for cleaning stainless steel, enamel, plating or plastic products. You may use mild cleansers or soaps to clean the surfaces. Wipe any splashes of cleaner solutions from the surface with a clean soft cloth.

Maintain ventilation in the bathroom and separate the dry area from the damp one if conditions permit. Try to open the door and windows of the bathroom to maintain adequate ventilation.

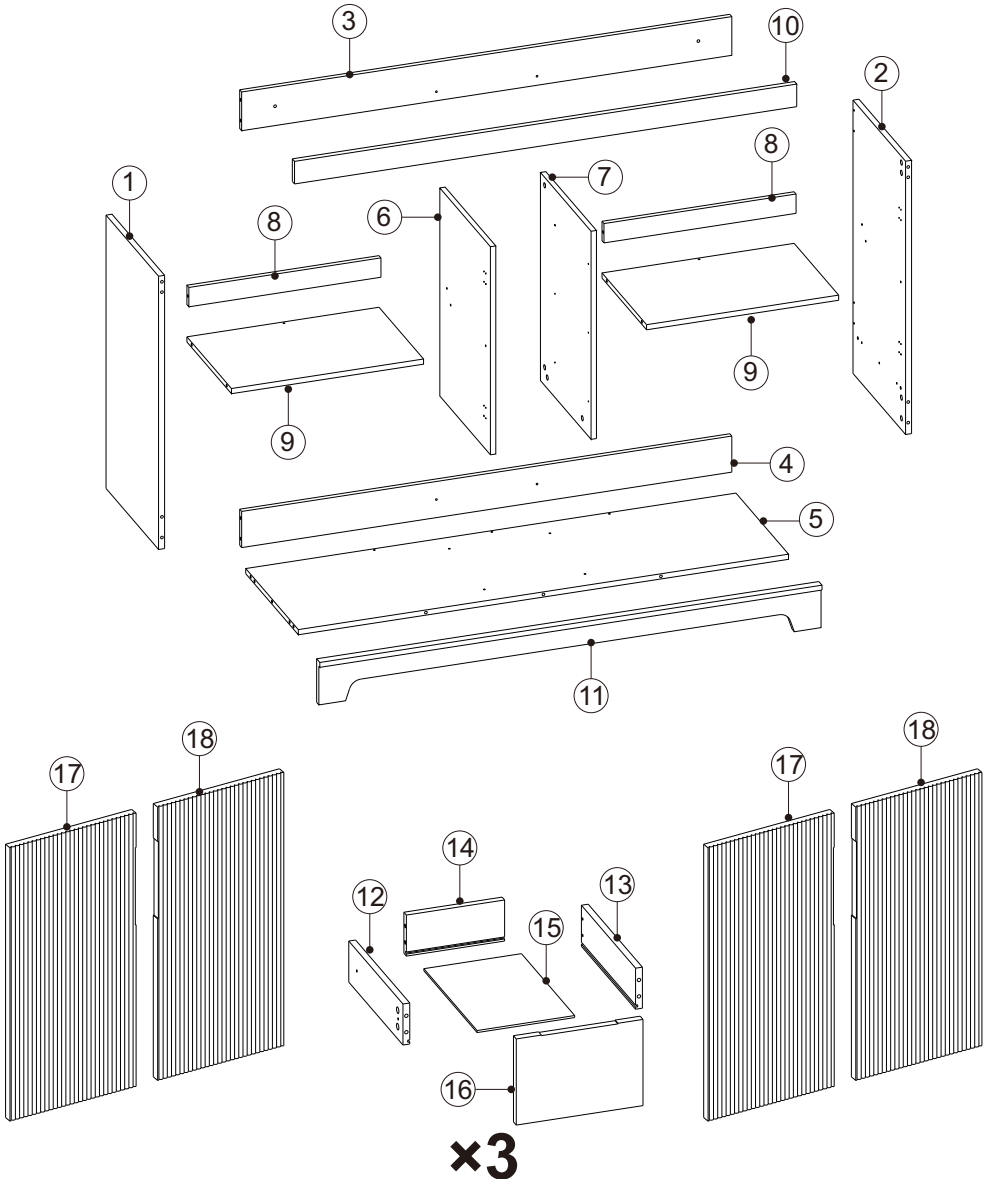
This cabinet is built to withstand normal bathroom humidity. For best results, keep this vanity dry and take necessary steps to minimize bathroom humidity by opening windows and doors and using the exhaust fan (if available).

To maintain the cabinet door, clean and wipe the door regularly with a soft cloth. Wipe condensation with a dry, soft cloth. Keep away from high temperatures.

Please do not sit, lean or step on the basin cabinet.

ASSEMBLY DIAGRAM

1. Refer to the exploded view below for the approximate location of each component.
2. Each part is labeled for easy identification.
3. Follow the assembly instructions carefully to ensure proper installation.

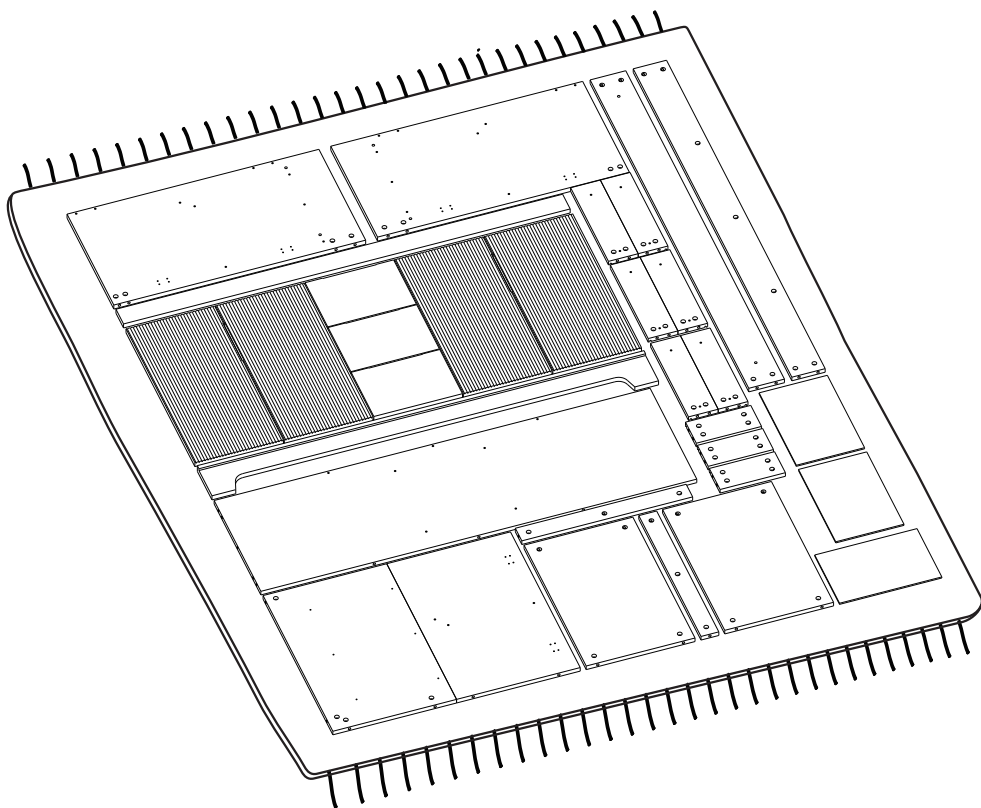




PRE-ASSEMBLY PREPARATION

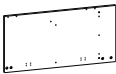

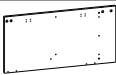





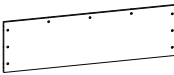

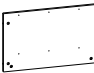

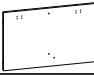
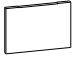

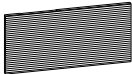

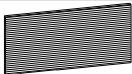
Before assembly, place all furniture parts on a soft surface, such as a blanket or the original packaging cardboard, to prevent damage to the floor or components from accidental drops and to avoid scratching the surfaces.

For illustrative purposes only









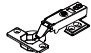



Attention: The components shown above are for illustrative purposes only and are not related to the current product.

PARTS LIST

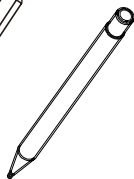
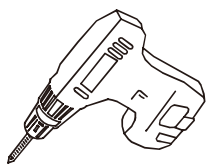
No.	Description	QTY	No.	Description	QTY
1		1	10		1
2		1	11		1
3		1	12		3
4		1	13		3
5		1	14		3
6		1	15		3
7		1	16		3
8		2	17		2
9		2	18		2

HARDWEAR LIST

No.	Description	QTY	No.	Description	QTY
19	 Three-in-one Connector	74	24	 Hinges	4
20	 Wood Plug	4	25	 Handle	4
21	 ST4*14 Screws	80	26	 Handle	3
22	 Slider	6	27	 Fixed buckle	2
23	 Hinges	4	28	 For Fix On The Wall Screws	2

CAUTION: Please confirm the parts list before installion

YOU MAY NEED (NOT SUPPLIED)

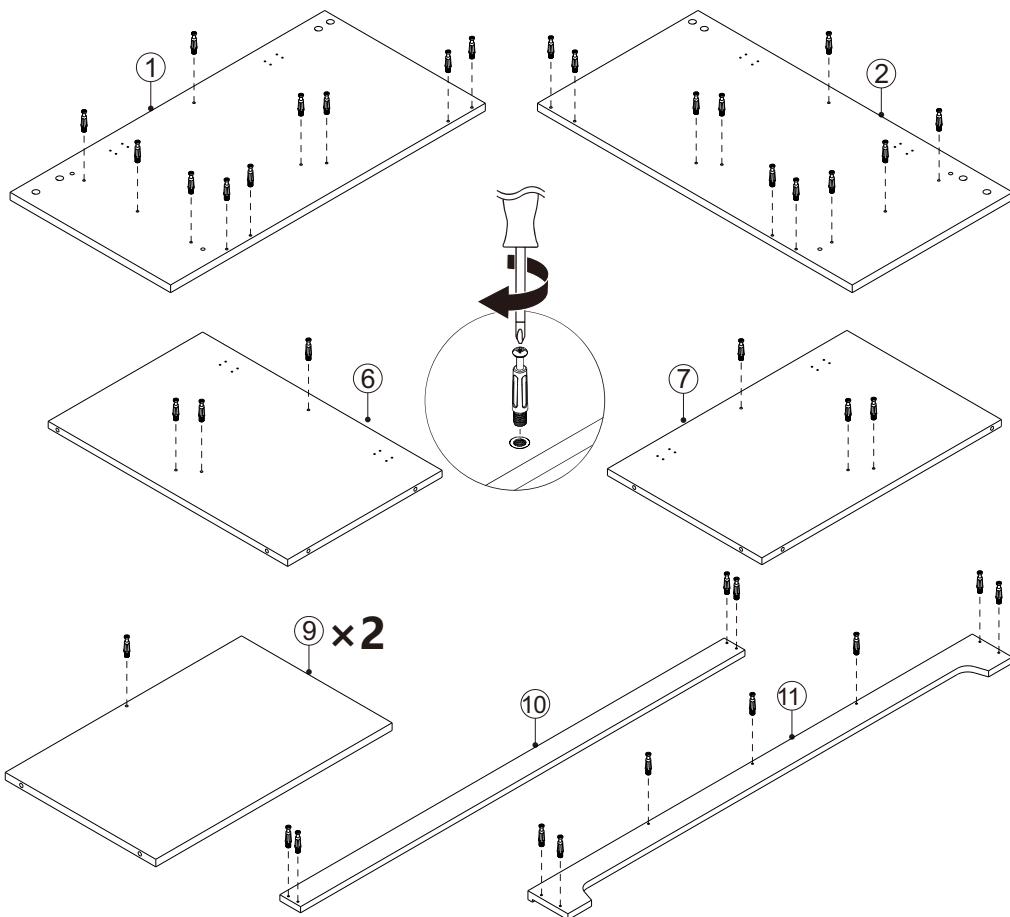
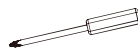


1

19

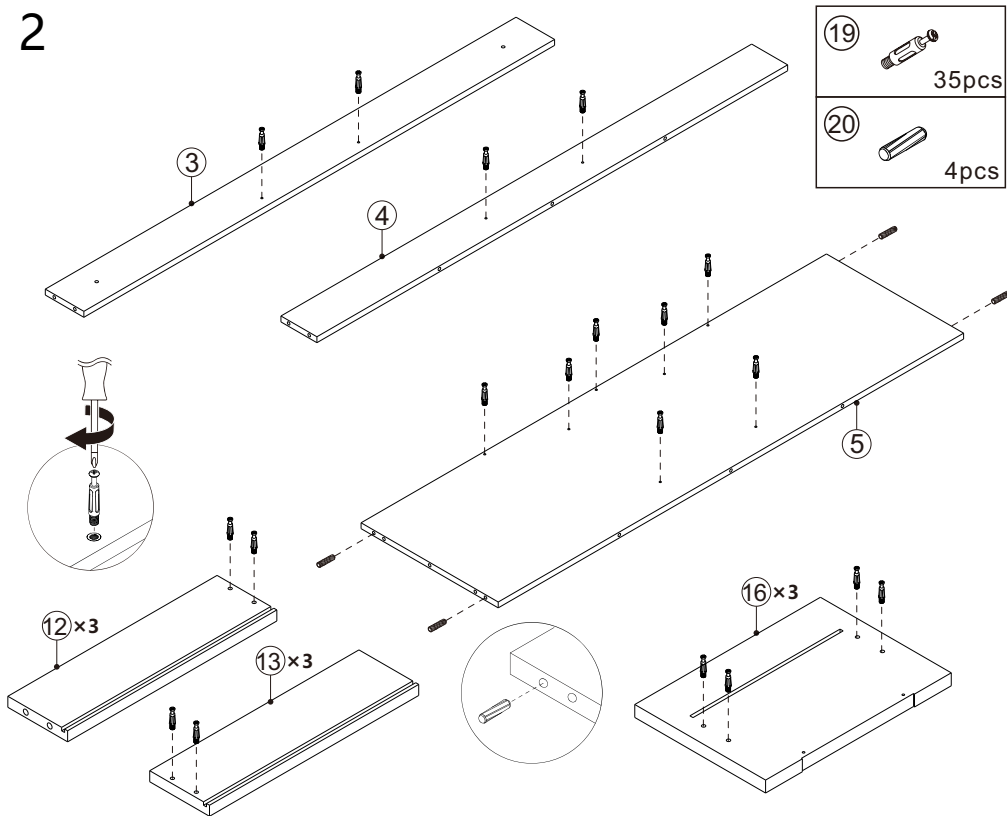


39pcs



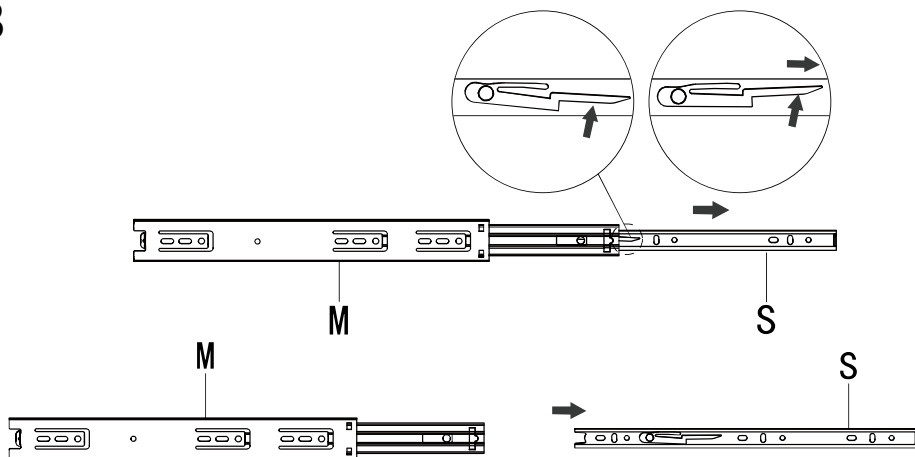
• Insert the Cam Screw into the shelves above.

2





- Insert the Cam Screw into the shelves above.
- Insert the wooden dowel pins into the shelves.

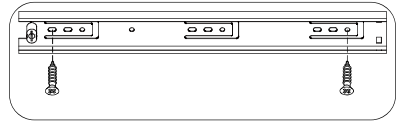
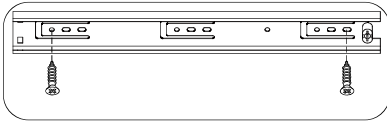
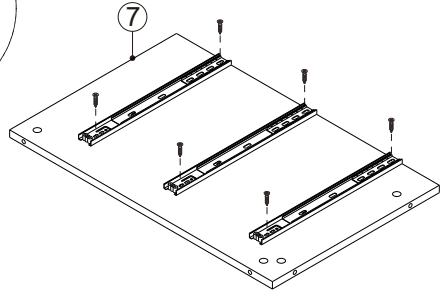
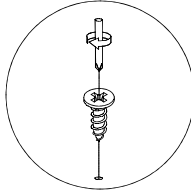
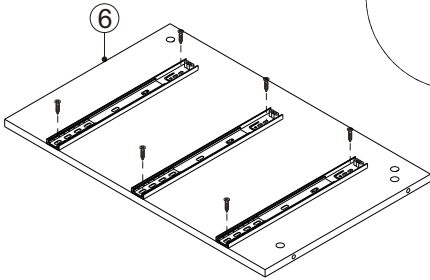
3



- Keep pressing here, then pull out to divide the slide.

4

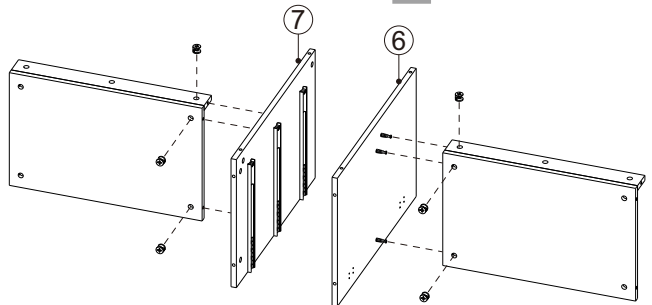
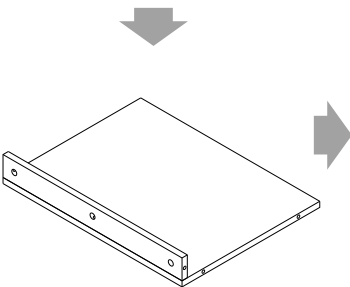
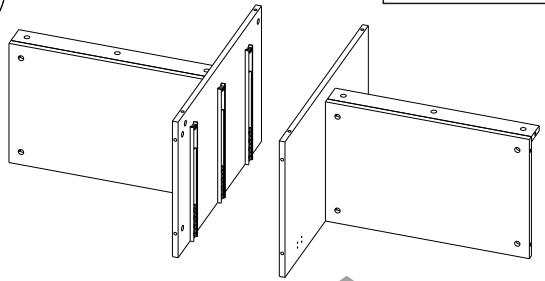
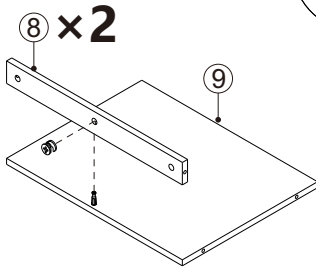
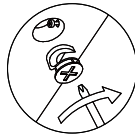
<p>(21)  12pcs</p>	<p>(22)  M 6pcs</p>
---	---



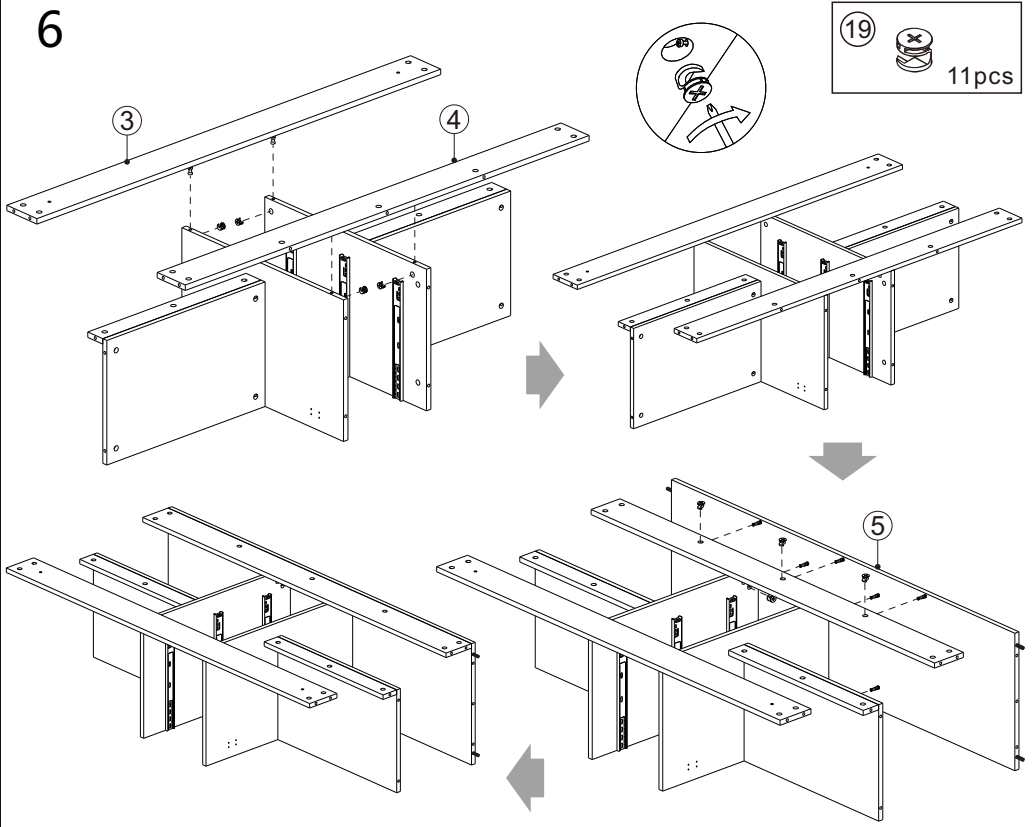
• Refer to the illustration to fix the Slide rails to the board #6 and 7# with screws.

5

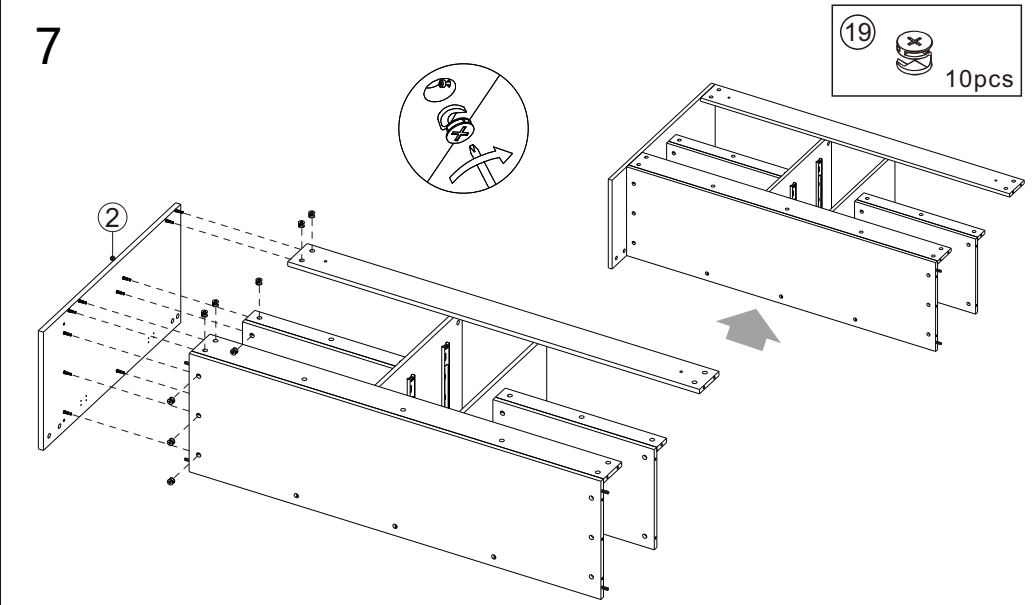
<p>(19)  8pcs</p>
--



6

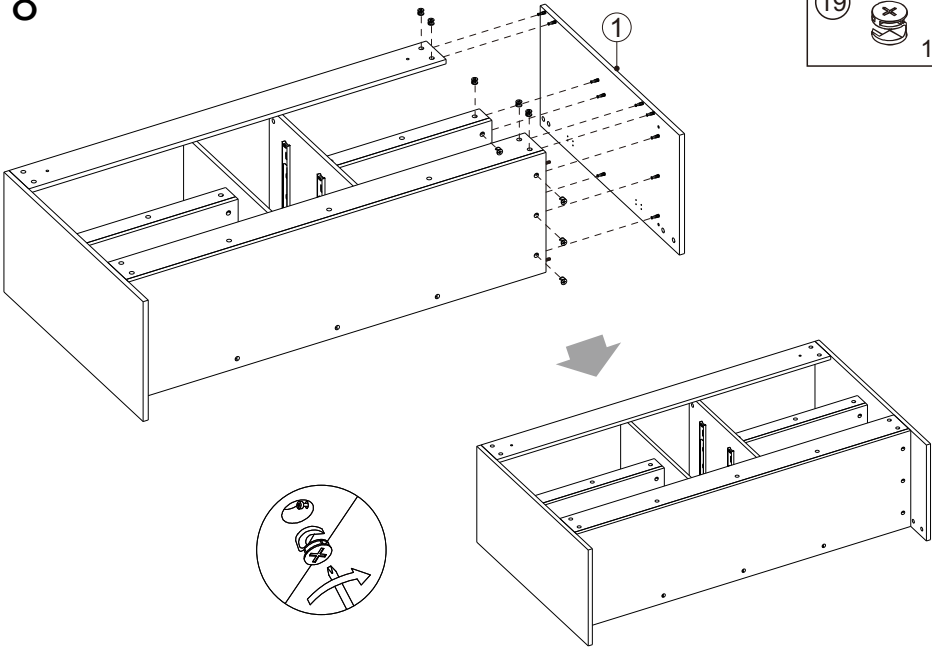


7



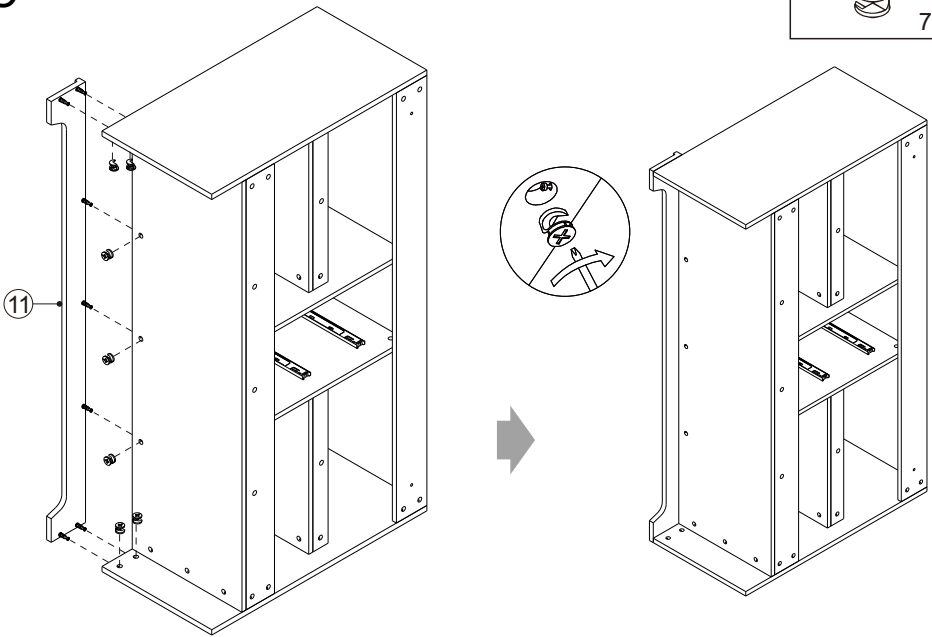
8

(19)  10pcs

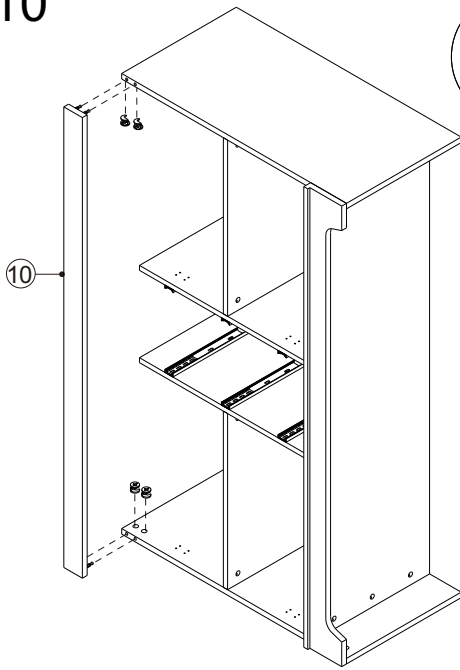


9

(19)  7pcs



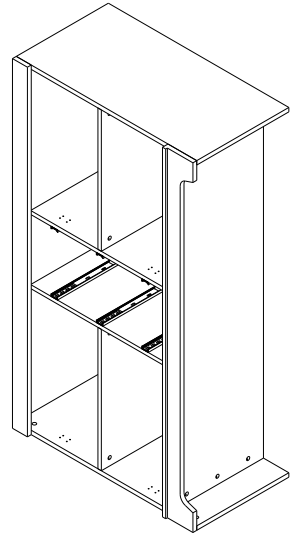
10



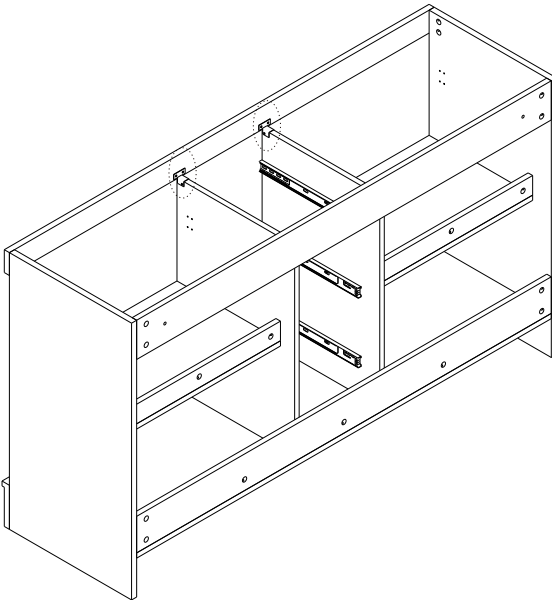
19



4pcs



11



21

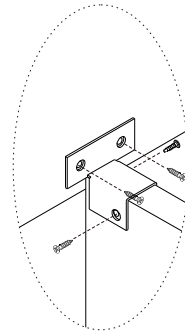


8pcs

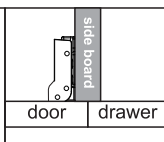
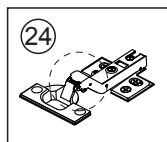
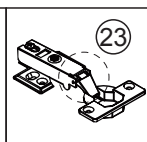
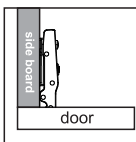
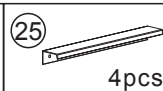
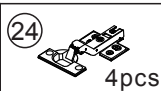
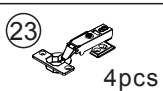
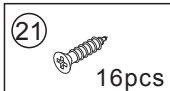
27



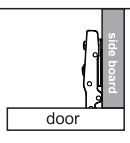
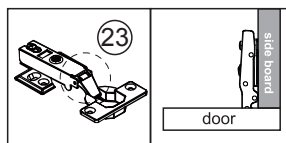
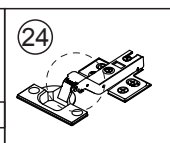
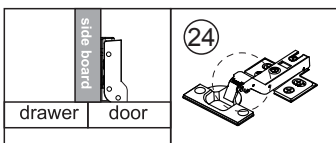
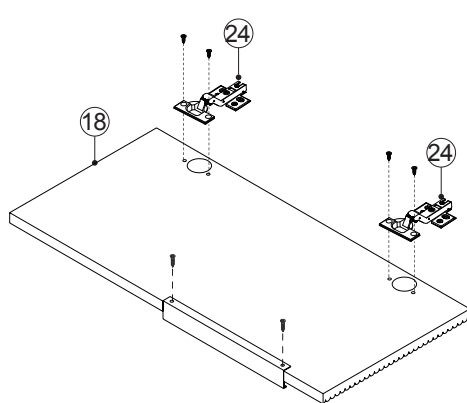
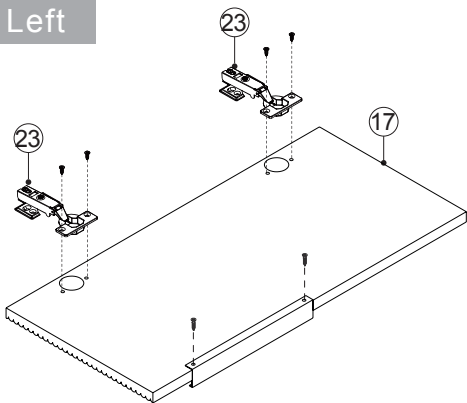
2pcs



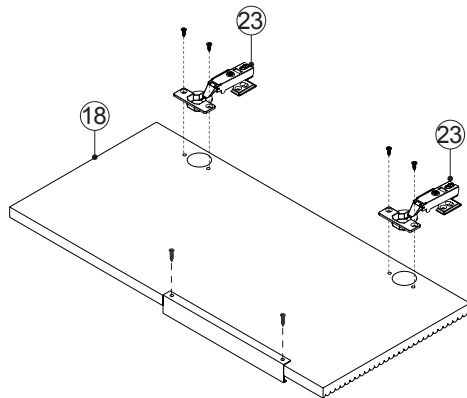
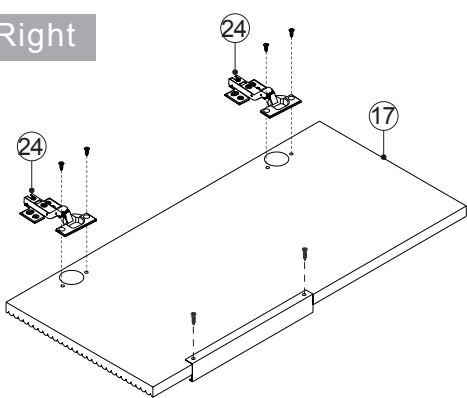
12



Left



Right

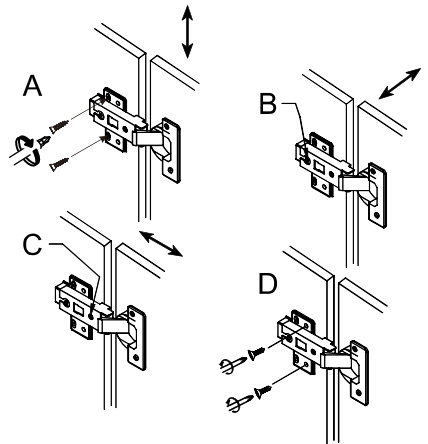
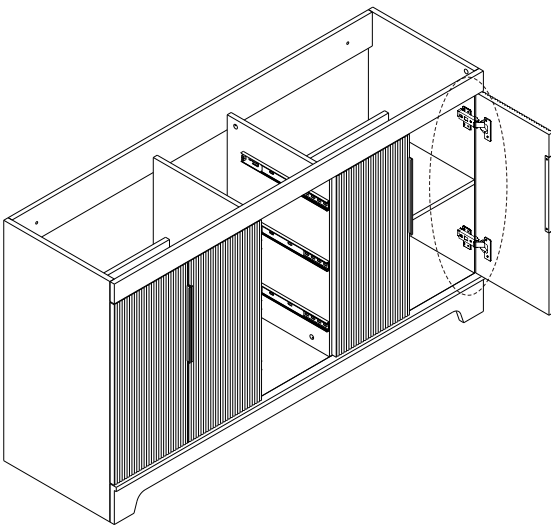
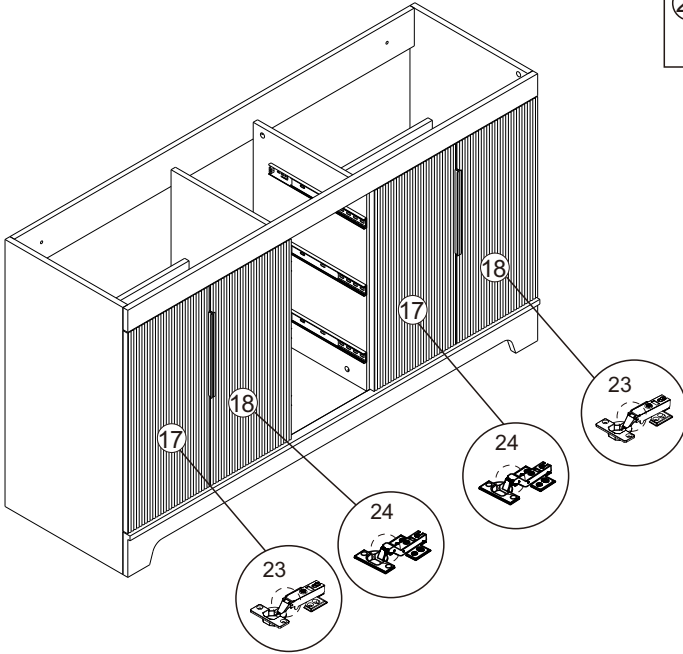


Note: see step 12 to adjust the door's position.

Use 25 Screws to install the handle and apply 21 Screws to fix the hinge on the shelf #16. Then use 21 Screws to connect the hinge bracket to the cabinet. Repeat these steps for the other door.

13

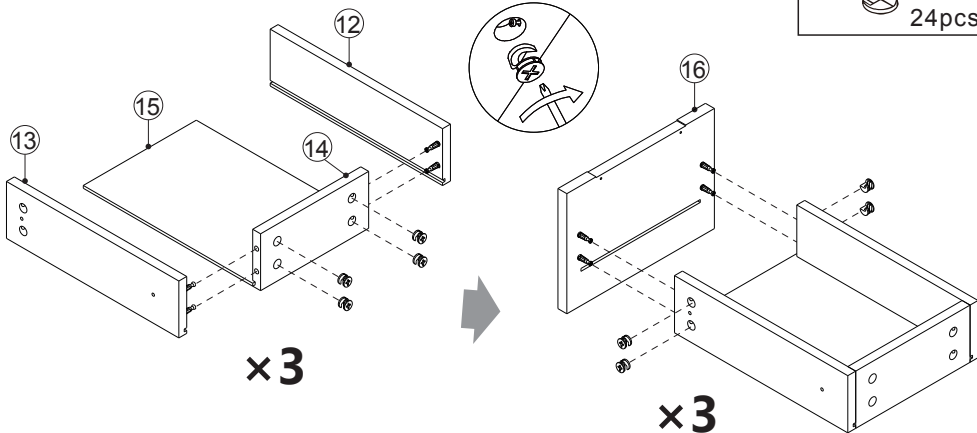
(21)  32pcs



- A.Height adjustment
 - B.Depth adjustment
 - C.Side to side adjustment
 - D.After adjustment A/B/C,tighten screws.
- To ensure proper cabinet alignment, refer to the above illustrations for instructions about adjusting the cabinet height, depth and lateral movement.

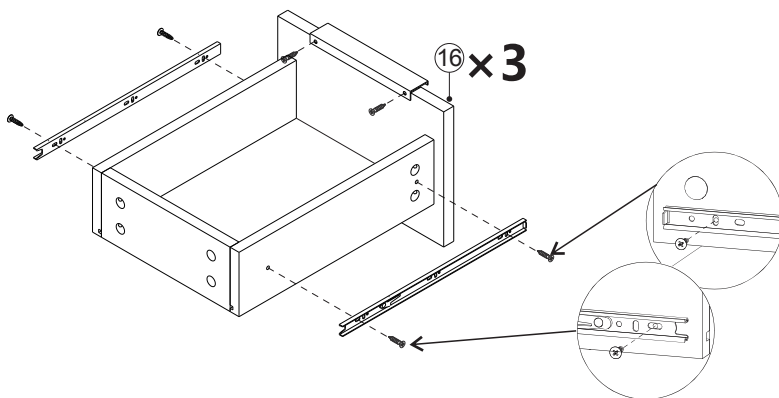
14

(19)  24pcs



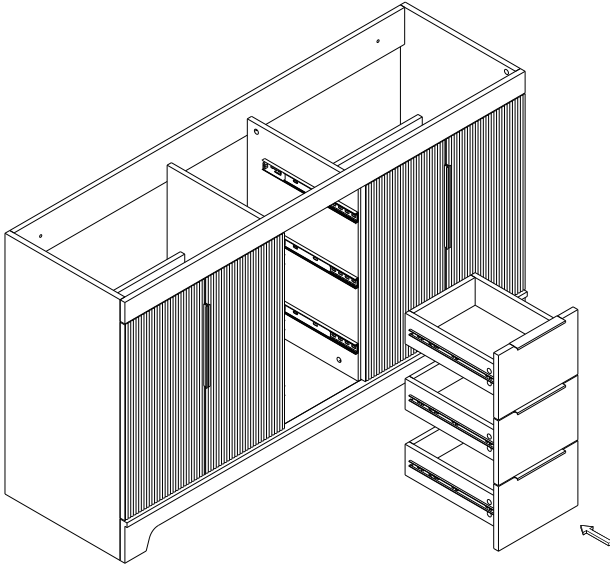
- Refer to the illustration, Connect the side plate #12 #13 with the back plate #14 with screws. Then insert the plate #15 in to the finished shelf.
- Refer to the illustration, Connect the side plate #16 is inserted into the prepared plate, Then tighten the cam lock with the cover.

15



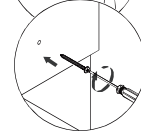
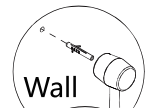
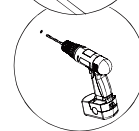
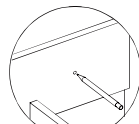
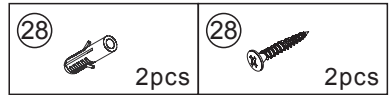
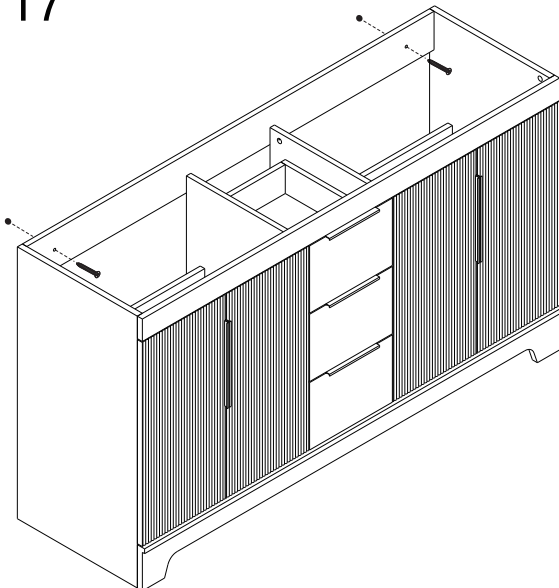
- Refer to the illustration, Apply Screws to fix the slides on the boards #12, #13. Use (26) Screws to install the handle.

16



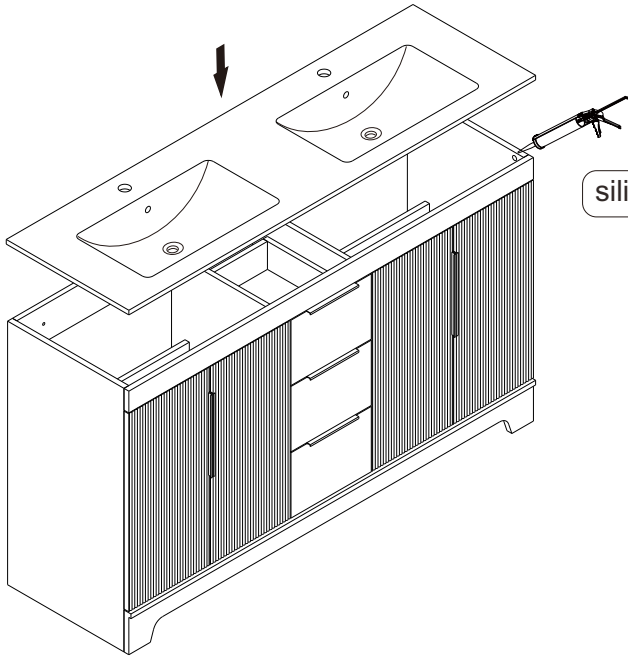
- If the drawers are not in the same level, please adjust the screws in the drawer box.
- Assembled drawers are loaded onto cabinets.

17



- Refer to the illustration, Draw the spacing between the walls on the cabinet, punch holes in the wall, and fix the cabinet to the wall with screws

18



silicone transparent

THANK YOU

Thank you for choosing our product. We sincerely hope that the assembly process has been smooth and enjoyable for you. If you have any questions or suggestions during the use of the product, please feel free to contact us.

Contact number: (323)-393-8260at EST 9AM-1PM

E-mail: service@eclifeusa.com