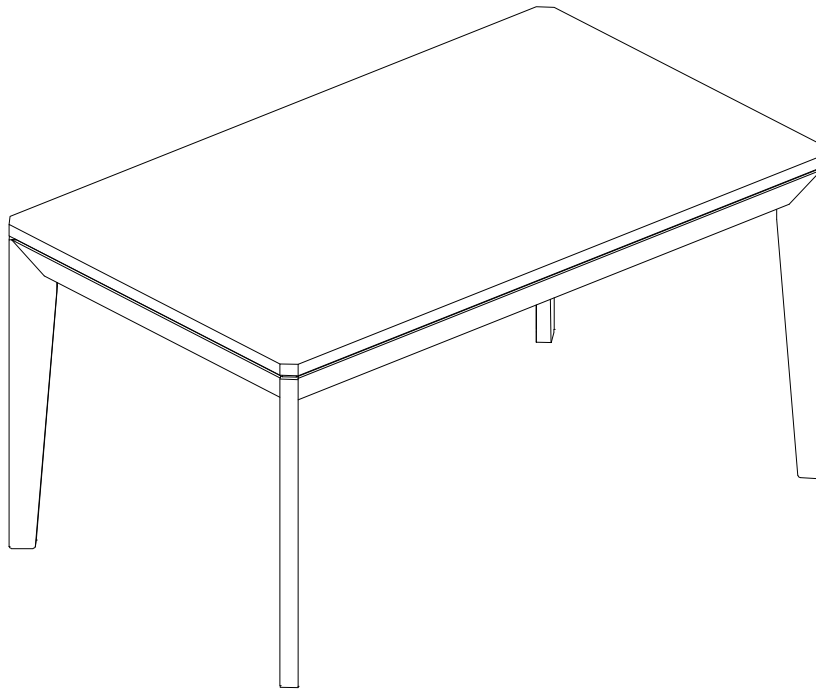


ASSEMBLY INSTRUCTIONS

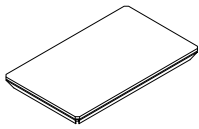

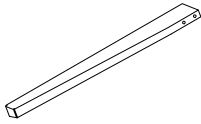



DINING TABLE



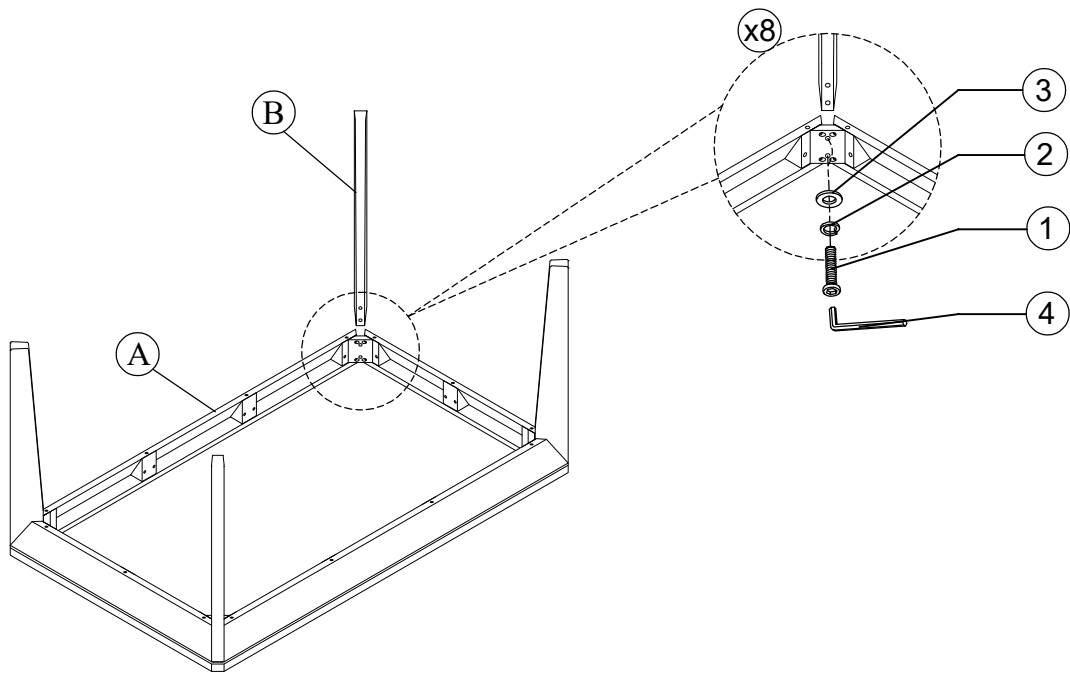
SKU: WF312047AAD/AAE

IMPORTANT NOTE:

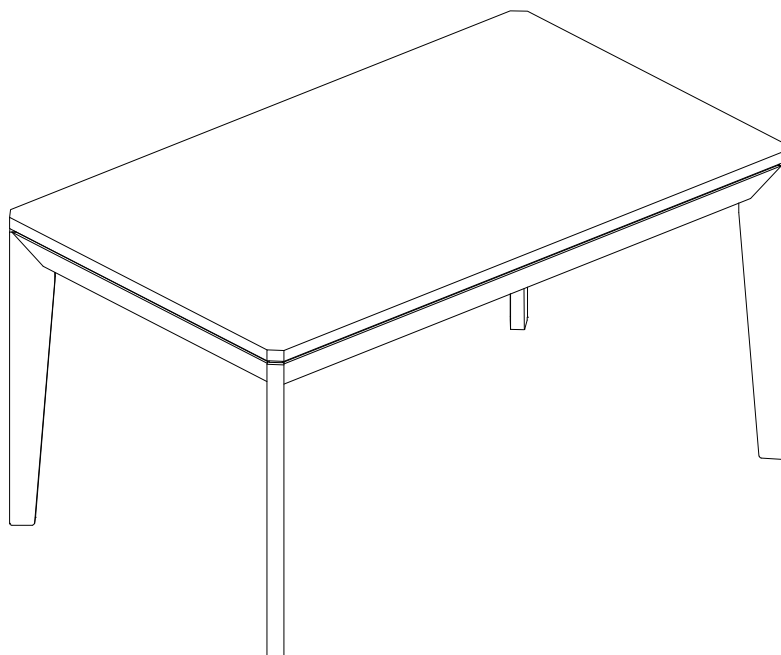
- PLACE ALL PARTS ON A CLEAN AND SMOOTH SURFACE SUCH AS A RUG OR CARPET TO AVOID THE PARTS FROM BEING SCRATCHED
- BEFORE YOU BEGIN, KINDLY FOLLOW THE ASSEMBLY INSTRUCTIONS STEP BY STEP.
- DO NOT TIGHTEN ALL SCREWS AND BOLTS UNTIL THE TABLE IS FULLY SET-UP.

TABLE PART LISTS				TABLE HARDWARE LISTS			
NO.	DESCRIPTION	SKETCH	QTY	NO.	DESCRIPTION	SKETCH	QTY
A	TABLE TOP		1 PC	1	HEX COMB 5/16" x 2-1/8"		8 PCS
B	TABLE LEGS		4 PCS	2	SPRING WASHER 5/16"		8 PCS
				3	FLAT WASHER 5/16"		8 PCS
				4	ALLEN KEY 5/32"		1 PC

STEP 1

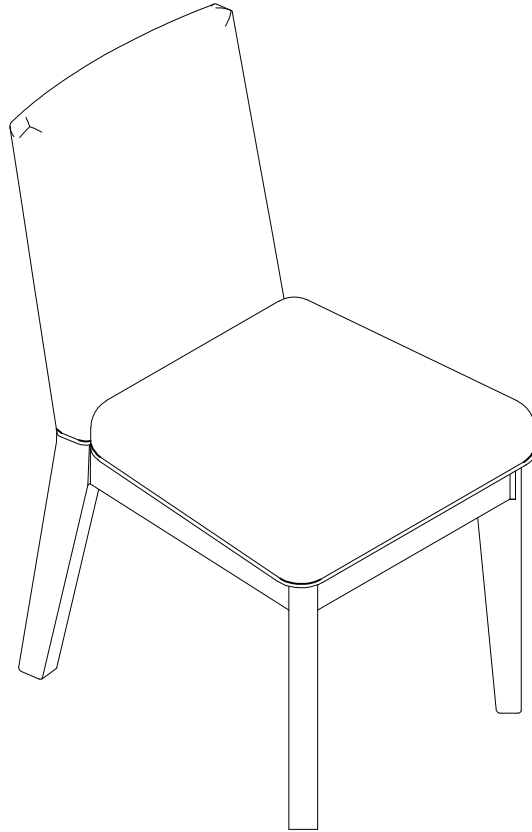


COMPLETE



ASSEMBLY INSTRUCTIONS

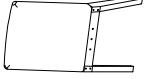

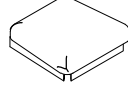

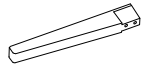




DINING CHAIR



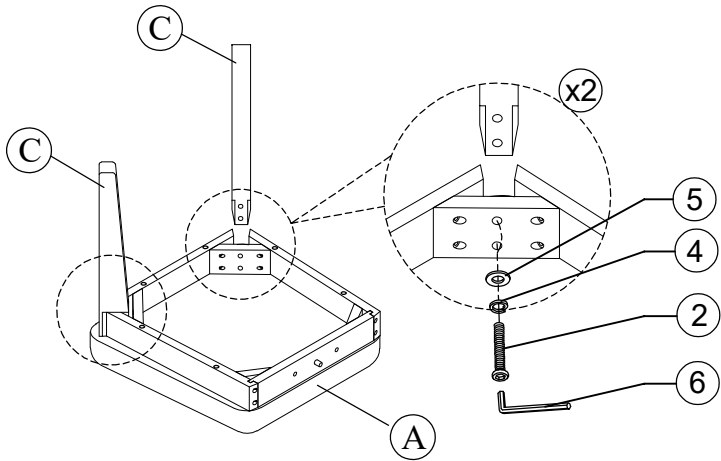
SKU: WF312048AAD/AAE

IMPORTANT NOTE:

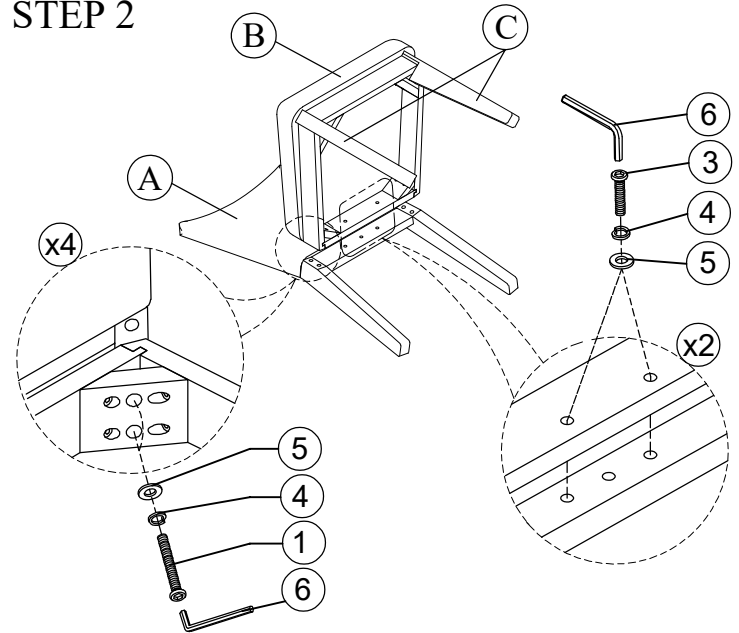
- PLACE ALL PARTS ON A CLEAN AND SMOOTH SURFACE SUCH AS A RUG OR CARPET TO AVOID THE PARTS FROM BEING SCRATCHED
- BEFORE YOU BEGIN, KINDLY FOLLOW THE ASSEMBLY INSTRUCTIONS STEP BY STEP.
- DO NOT TIGHTEN ALL SCREWS AND BOLTS UNTIL THE CHAIR IS FULLY SET-UP.

CHAIR PART LISTS				CHAIR HARDWARE LISTS			
NO.	DESCRIPTION	SKETCH	QTY	NO.	DESCRIPTION	SKETCH	QTY
A	CHAIR BACK		1 PC	1	HEX COMB 1/4" x 3-1/8"		4 PCS
B	SEAT FRAME		1 PC	2	HEX COMB 1/4" x 2-1/8"		4 PCS
C	CHAIR LEGS		2 PCS	3	HEX COMB 1/4" x 1-1/2"		2 PCS
				4	SPRING WASHER 1/4"		10 PCS
				5	FLAT WASHER 1/4"		10 PCS
				6	ALLEN KEY 5/32"		1 PC

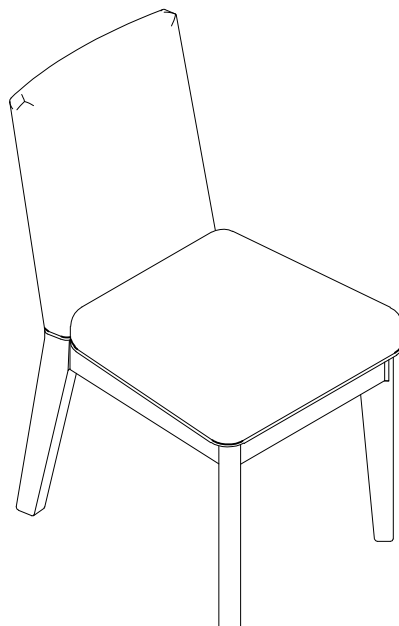
STEP 1



STEP 2

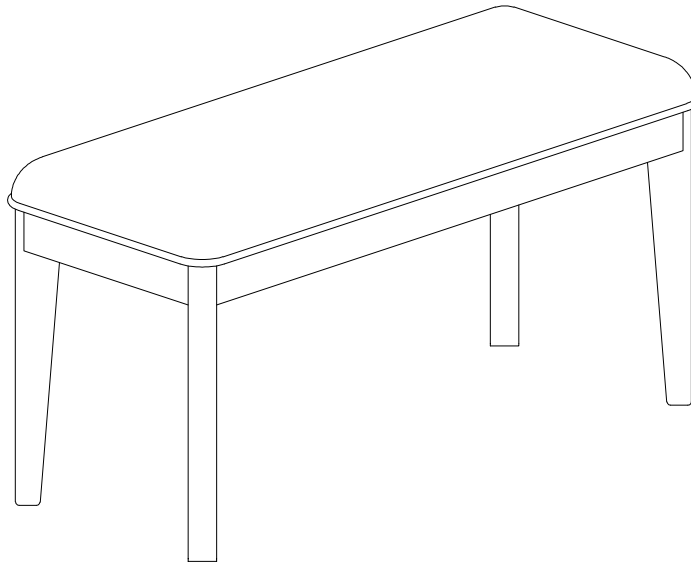


COMPLETE



ASSEMBLY INSTRUCTIONS

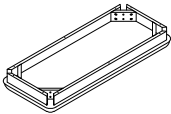





BENCH



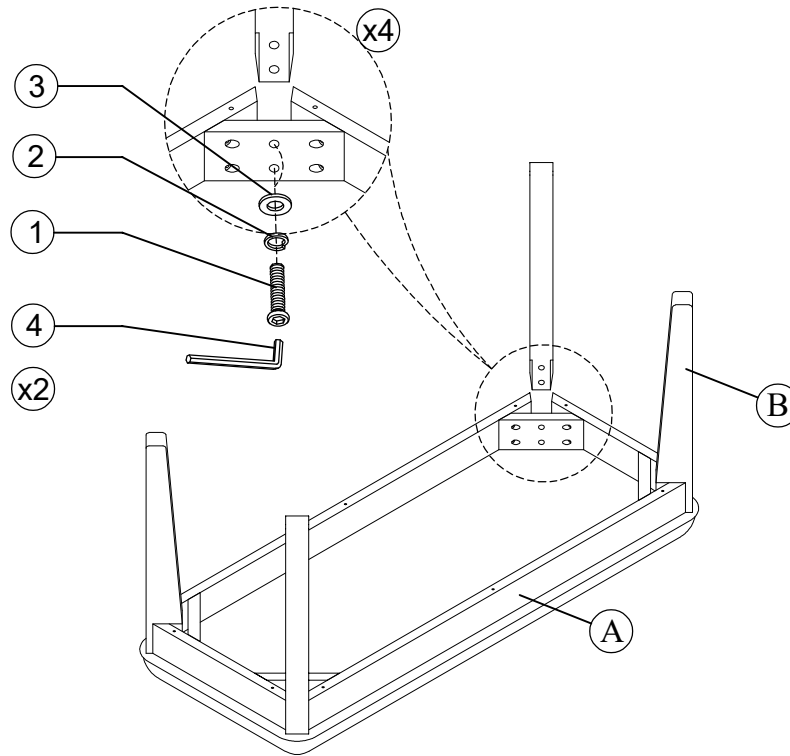
SKU: WF312049AAD/AAE

IMPORTANT NOTE:

- PLACE ALL PARTS ON A CLEAN AND SMOOTH SURFACE SUCH AS A RUG OR CARPET TO AVOID THE PARTS FROM BEING SCRATCHED
- BEFORE YOU BEGIN, KINDLY FOLLOW THE ASSEMBLY INSTRUCTIONS STEP BY STEP.
- DO NOT TIGHTEN ALL SCREWS AND BOLTS UNTIL THE BENCH IS FULLY SET-UP.

BENCH PART LISTS				BENCH HARDWARE LISTS			
NO.	DESCRIPTION	SKETCH	QTY	NO.	DESCRIPTION	SKETCH	QTY
A	SEAT FRAME		1 PC	1	HEX COMB 1/4" x 2-1/8"		8 PCS
B	BENCH LEGS		4 PCS	2	SPRING WASHER 1/4"		8 PCS
				3	FLAT WASHER 1/4"		8 PCS
				4	ALLEN KEY 5/32"		1 PC

STEP 1



COMPLETE

