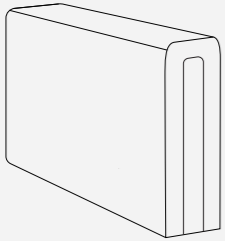


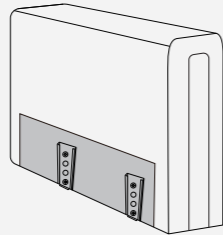
CARTON A PART LIST

A Left Armrest



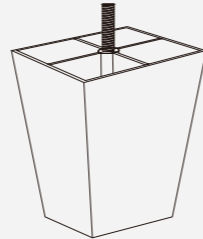
x1

B Right Armrest



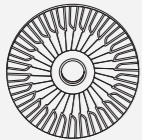
x1

1 Plastic Leg



x4

2 Plastic Washer

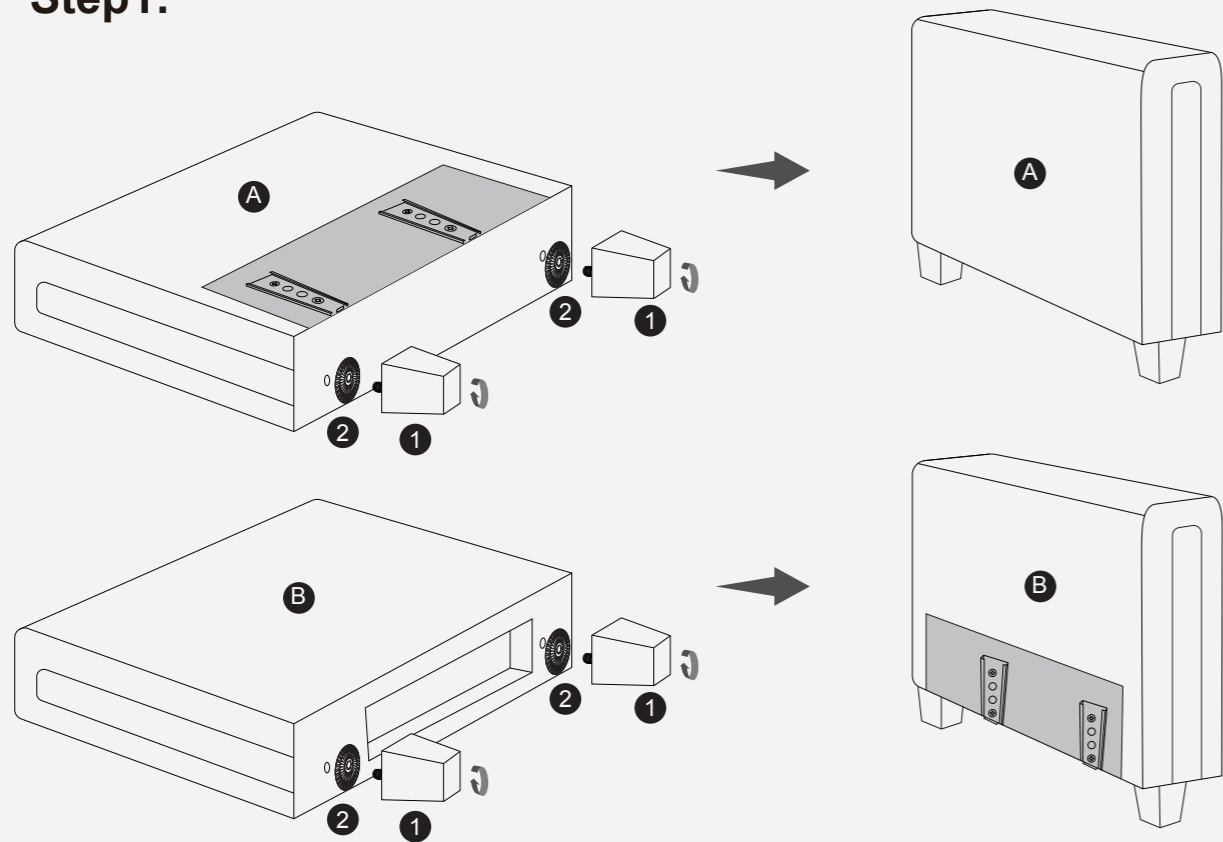


x4

CARTON A ASSEMBLY

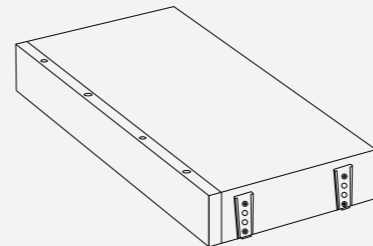
Armrests are in carton A, Remove all parts from the carton A ,
Place them on protected surface or carpet.

Step 1:



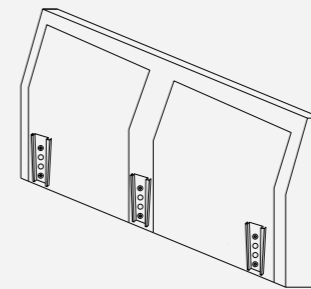
CARTON B PART LIST

C Long Seat Frame



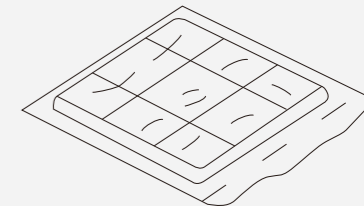
x1

D Long Back Frame



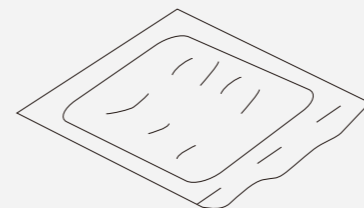
x2

E Seat Cushion



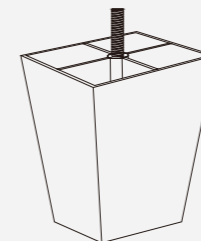
x2

F Back Pillow



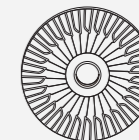
x2

1 Plastic Leg



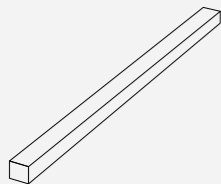
x4

2 Plastic Washer



x4

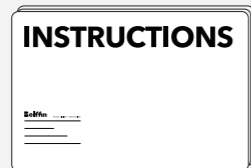
4 Anti Inflation Stick



Note:The purpose of wooden strips is to prevent package expansion and not to be used in actual products.

x2

3 Assembly Instructions

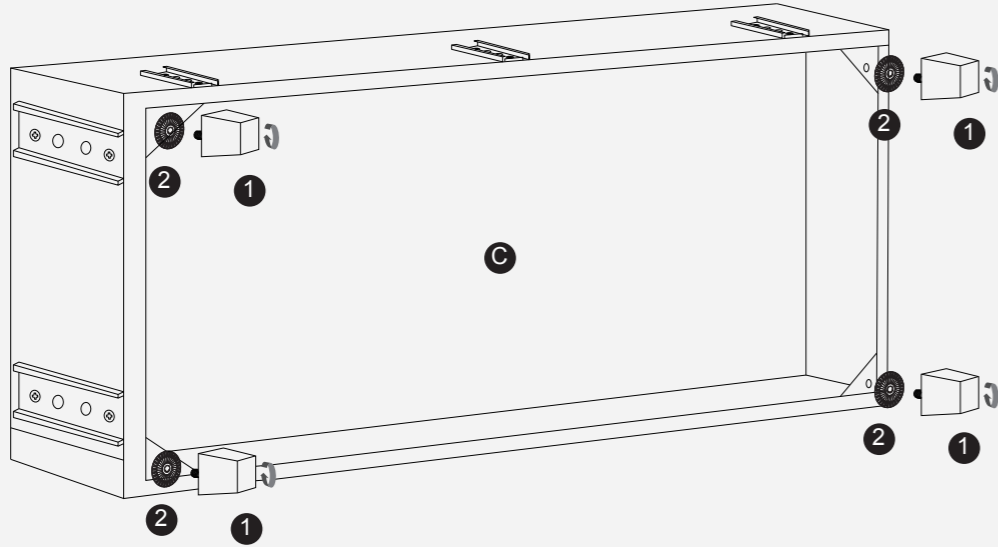


x1

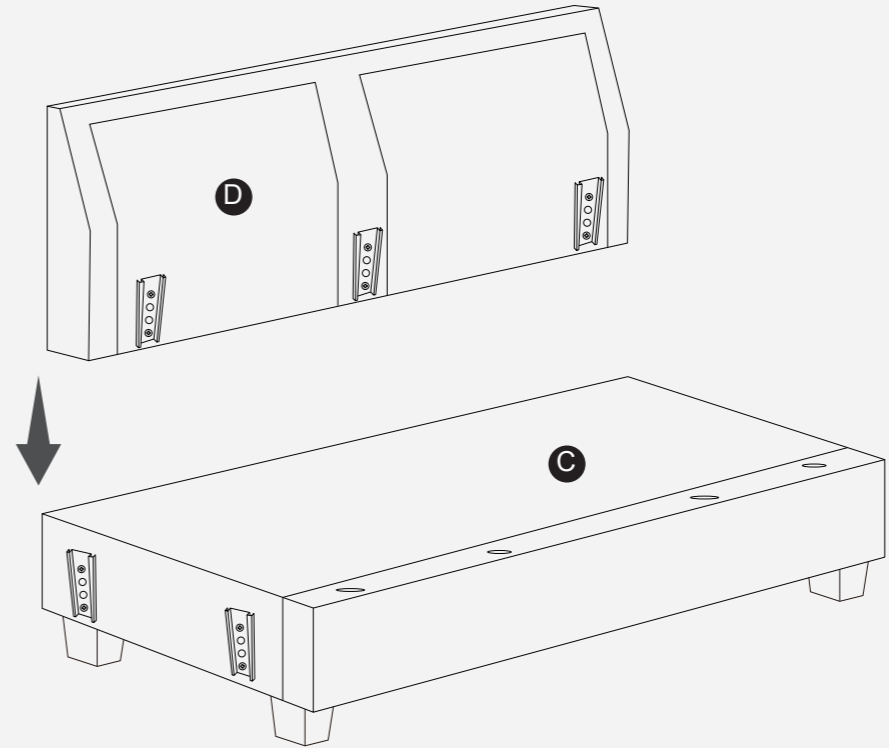
CARTON B ASSEMBLY

Long seat module is in carton B, Remove all parts from the carton B ,
Place them on protected surface or carpet.

Step1:

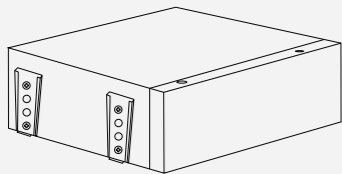


Step2: Install Back Frame to Seat Frame



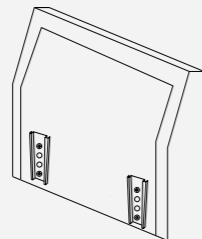
CARTON C PART LIST

G Single Seat Frame



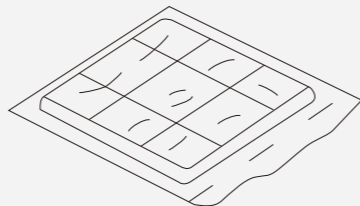
x1

H Single Back Frame



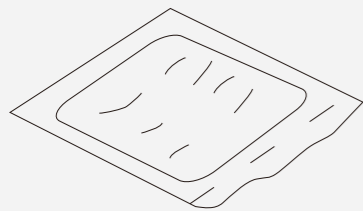
x1

E Seat Cushion



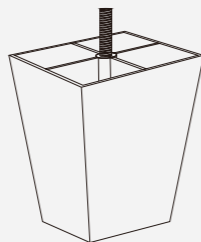
x1

F Back Pillow



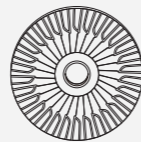
x1

2 Plastic Leg



x4

3 Plastic Washer

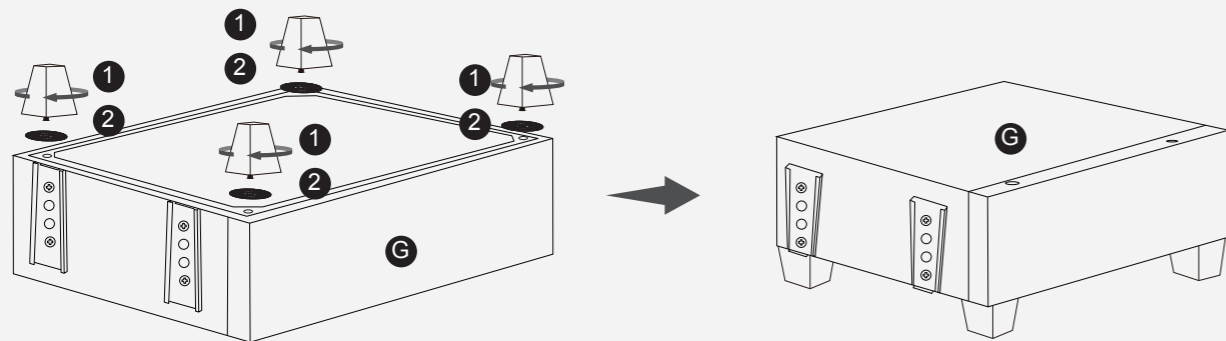


x4

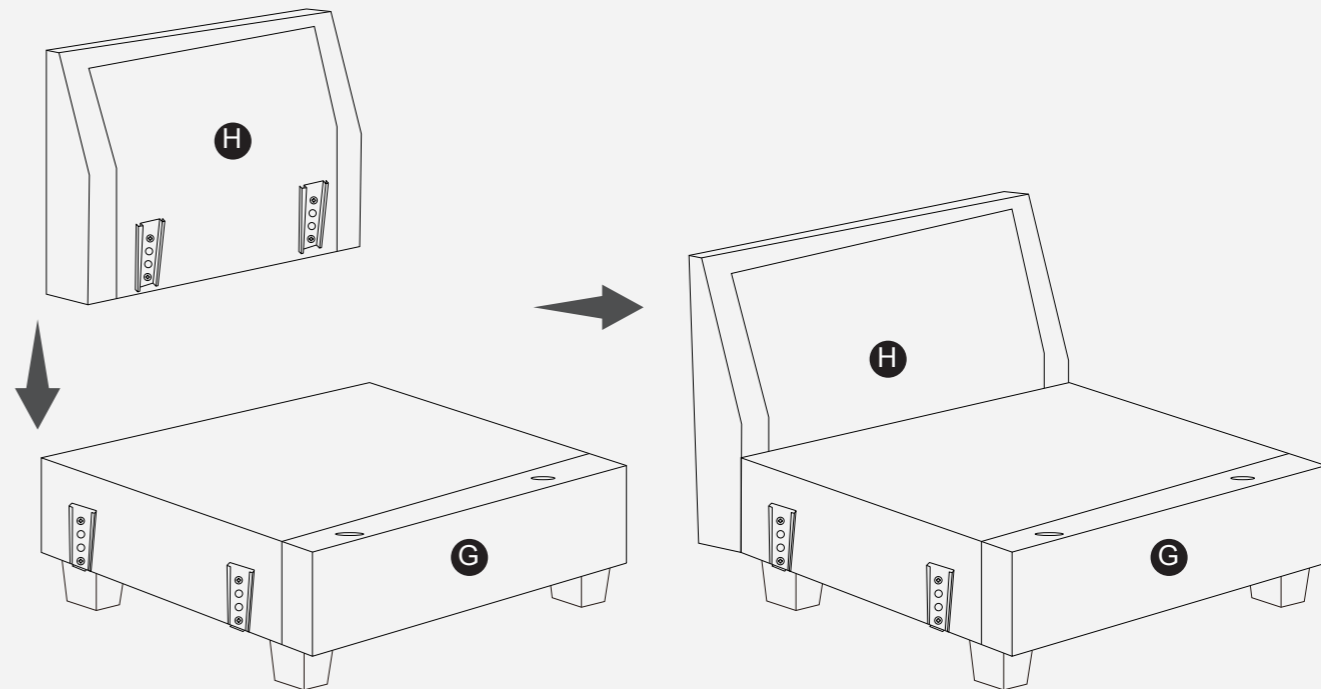
CARTON C ASSEMBLY

Single seat module is in carton C, Remove all parts from the carton C ,
Place them on protected surface or carpet.

Step1:

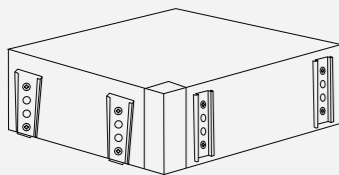


Step2: Install Single Back Frame to Single Seat Frame



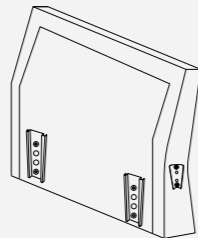
CARTON D PART LIST

J Corner Seat Frame



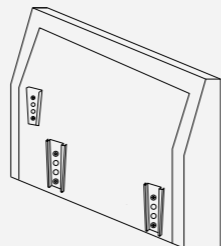
x1

K Corner Short Back Frame



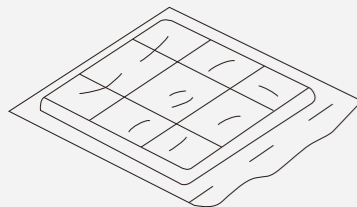
x1

L Corner Long Back Frame



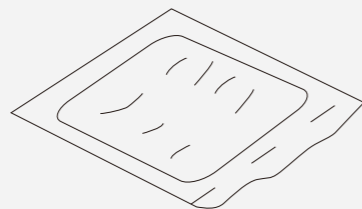
x1

M Corner Seat Cushion



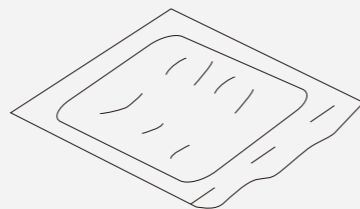
x1

N Long Corner Back Pillow



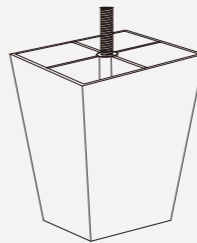
x1

P Small Corner Back Pillow



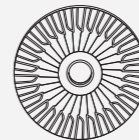
x1

3 Plastic Leg



x4

3 Plastic Washer

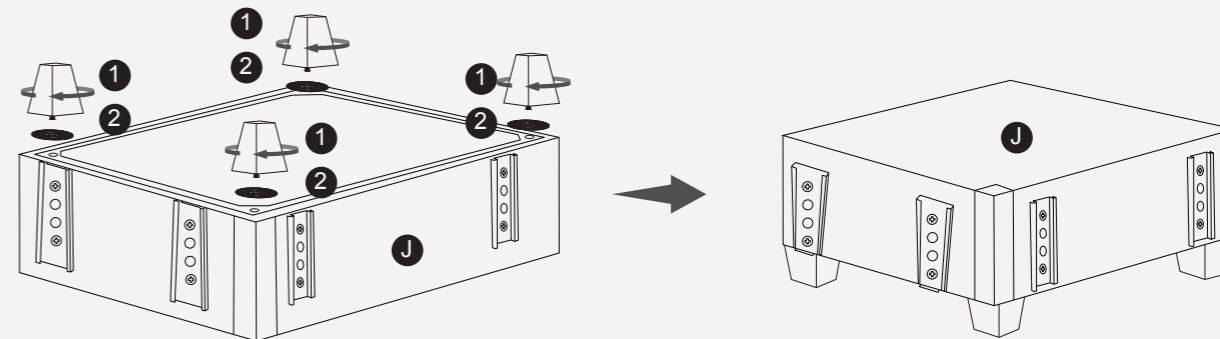


x4

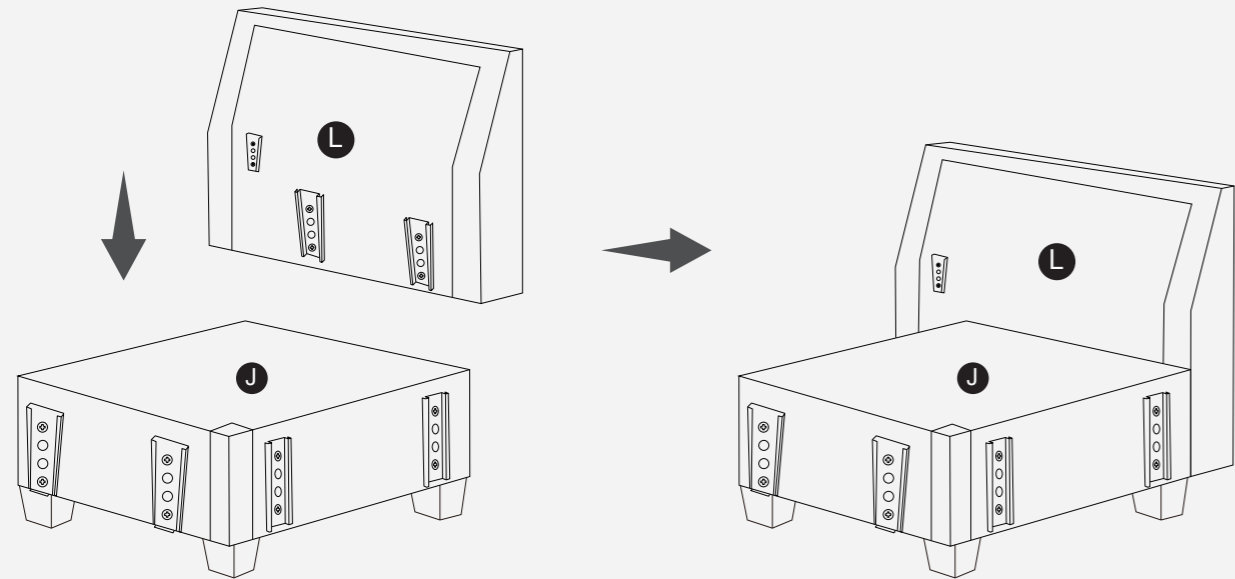
CARTON D ASSEMBLY

Corner seat module is in carton D, Remove all parts from the carton D, Place them on protected surface or carpet.

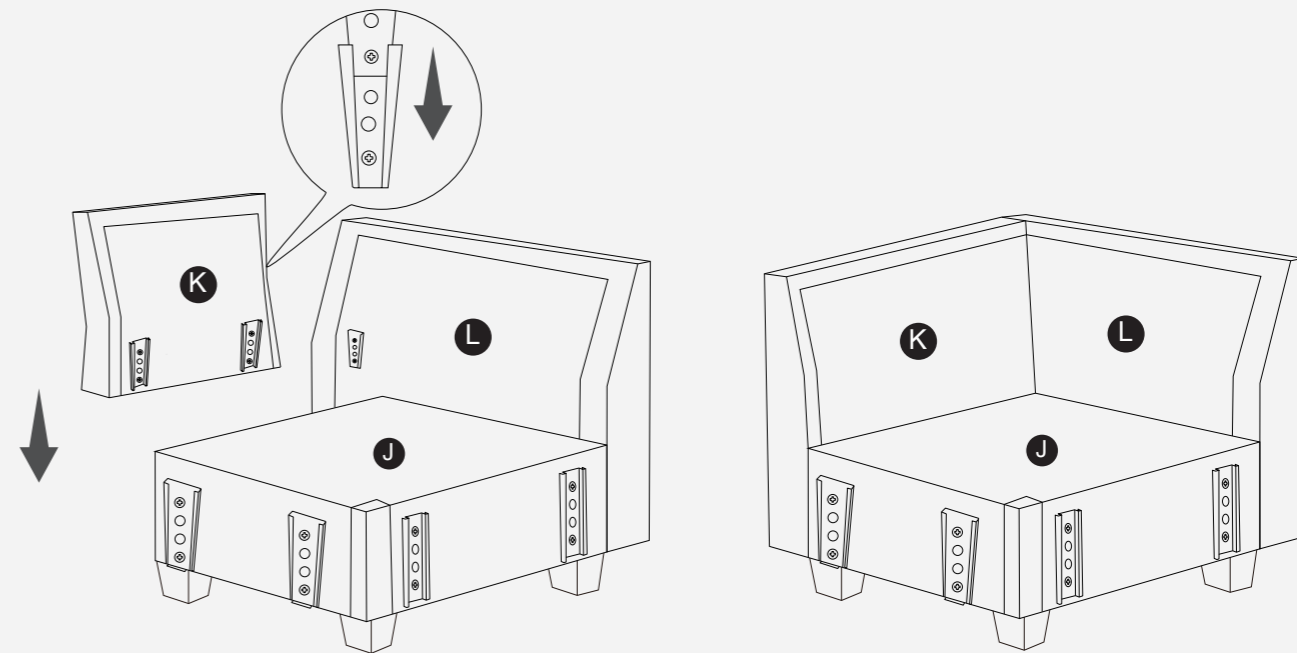
Step1:



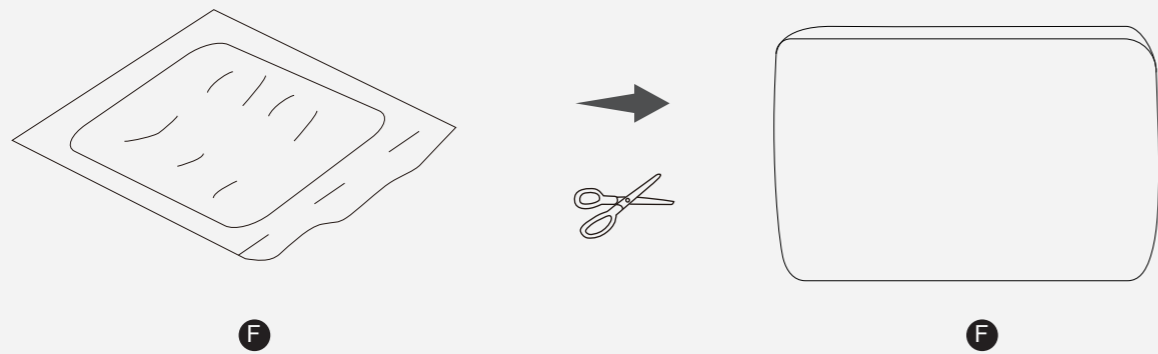
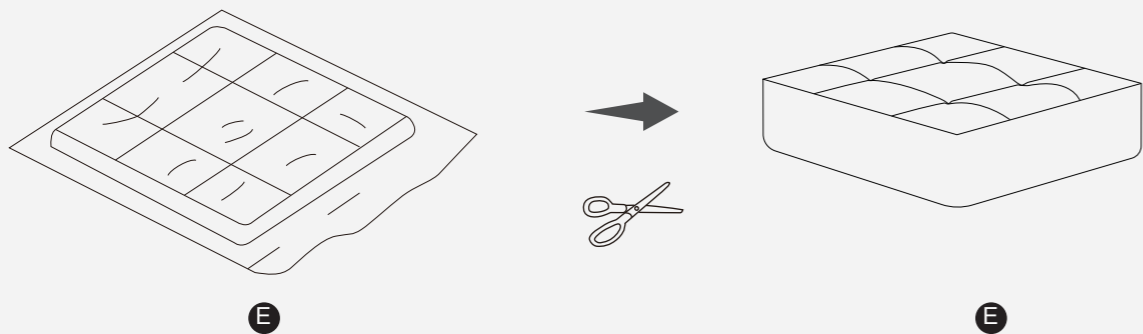
Step2: Install Corner Long Back Frame to Corner Seat Frame



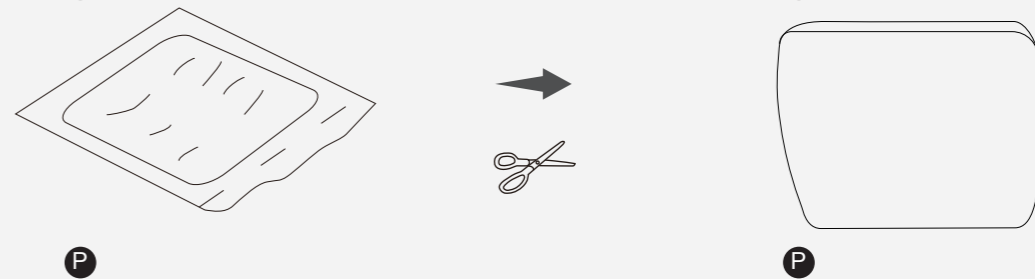
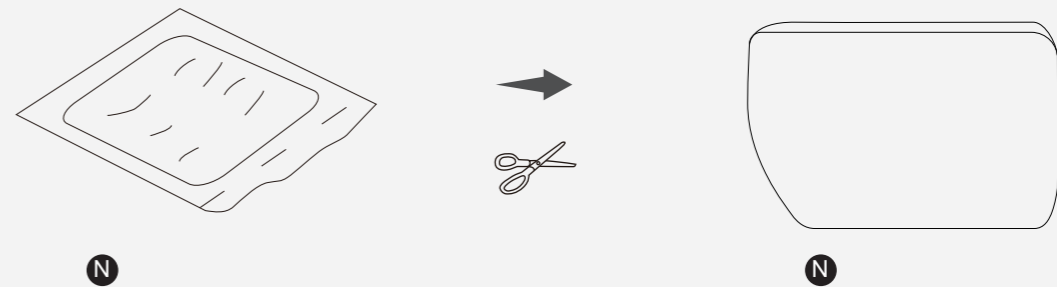
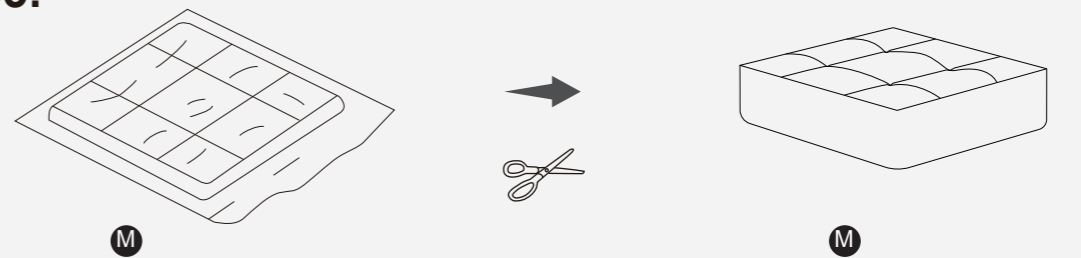
Step3: Install Corner Short Back Frame to Corner Seat Frame



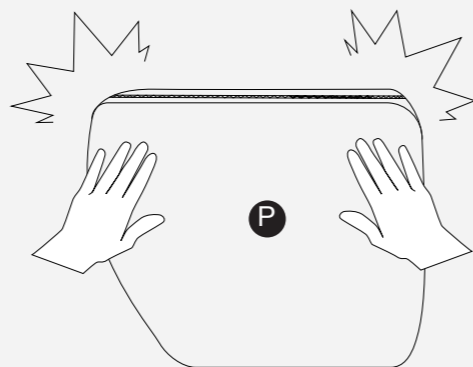
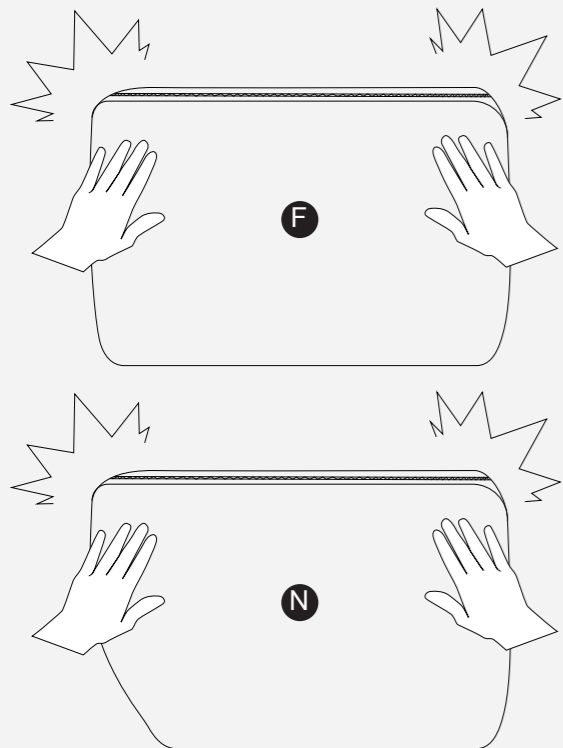
Step4:



Step5:

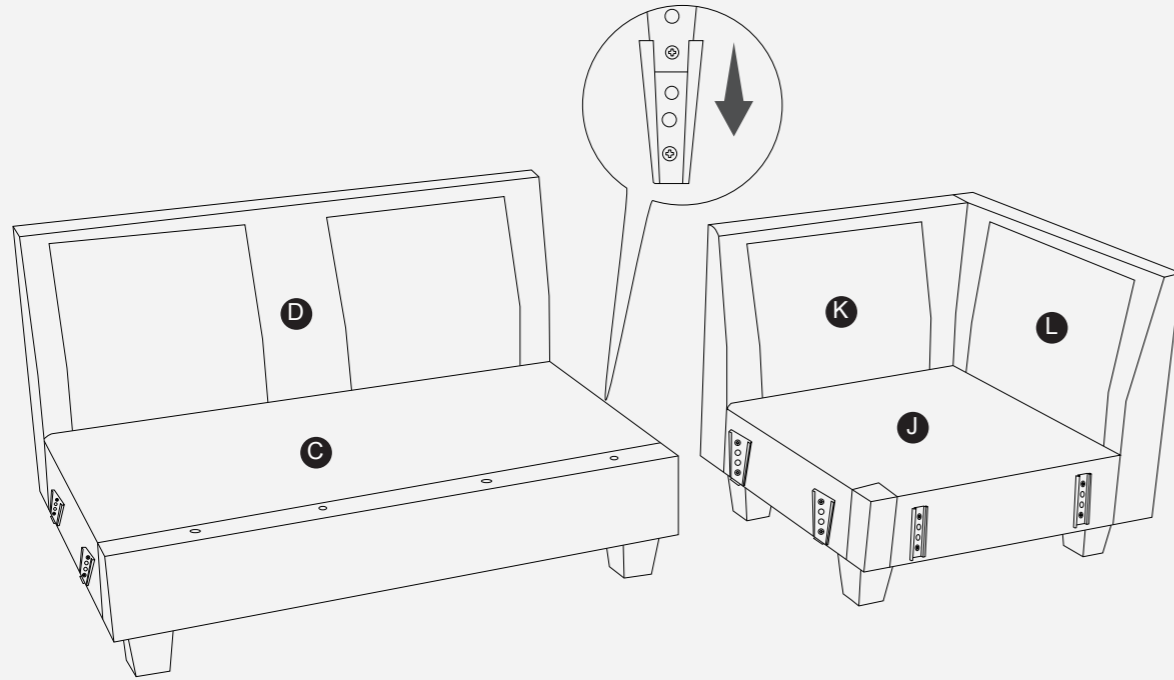


Step6:

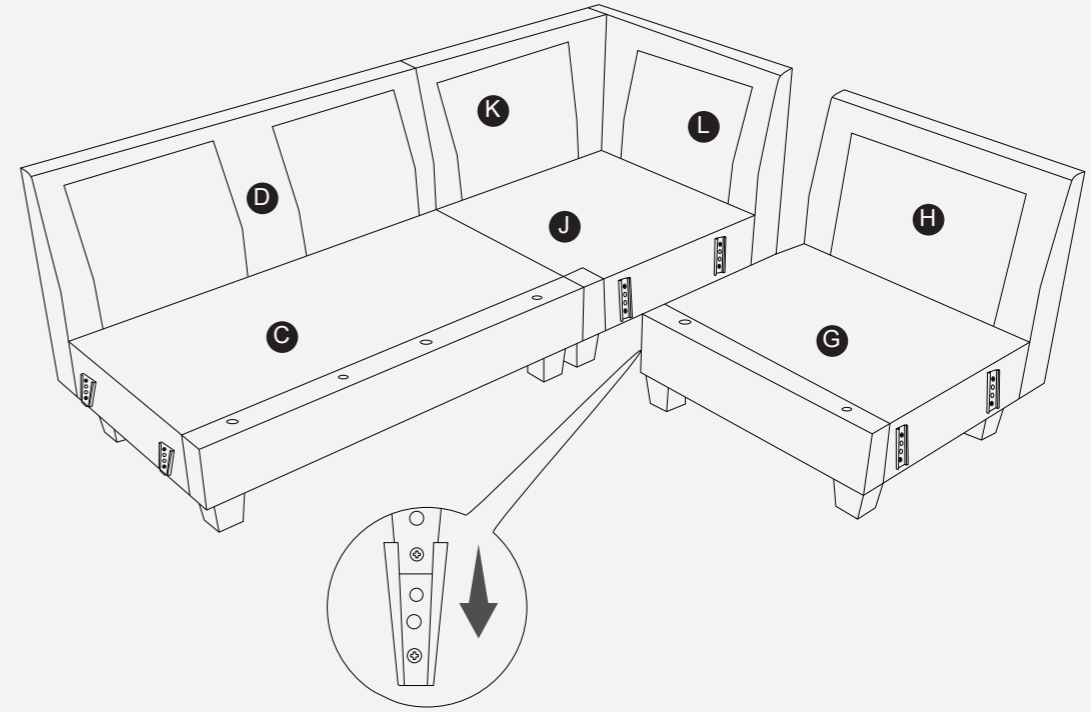


CARTON (A+B+C+D)

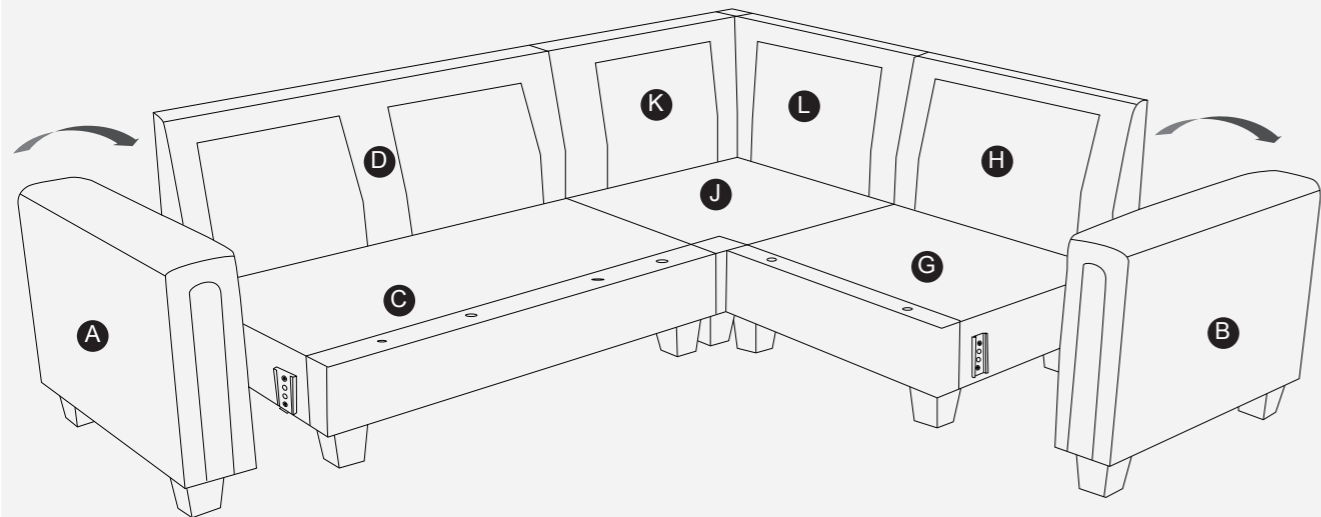
Step1:



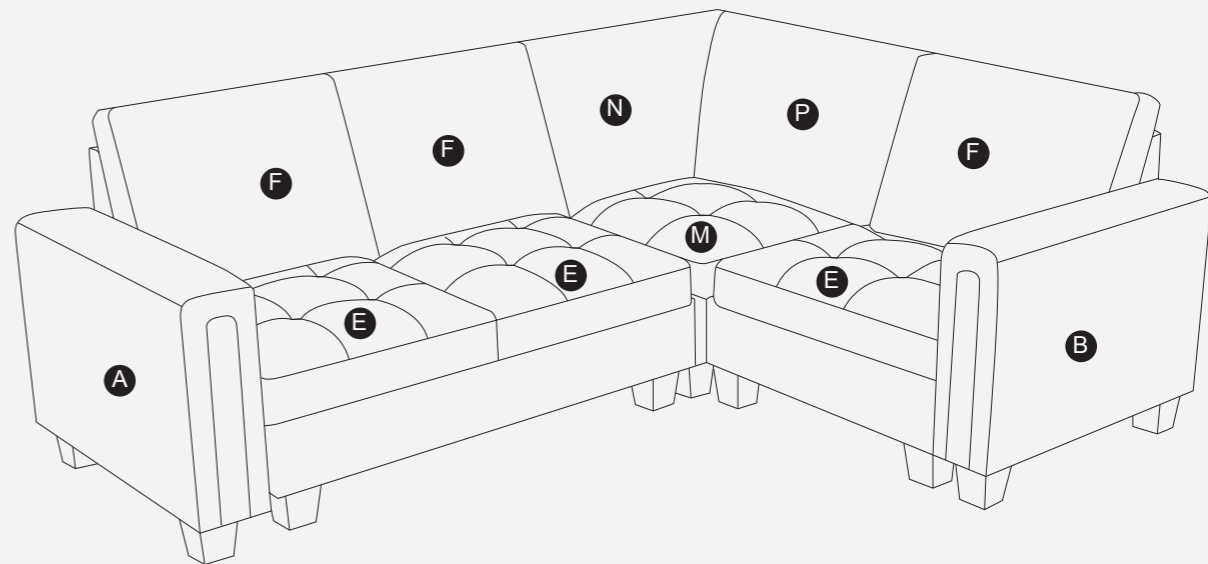
Step2:



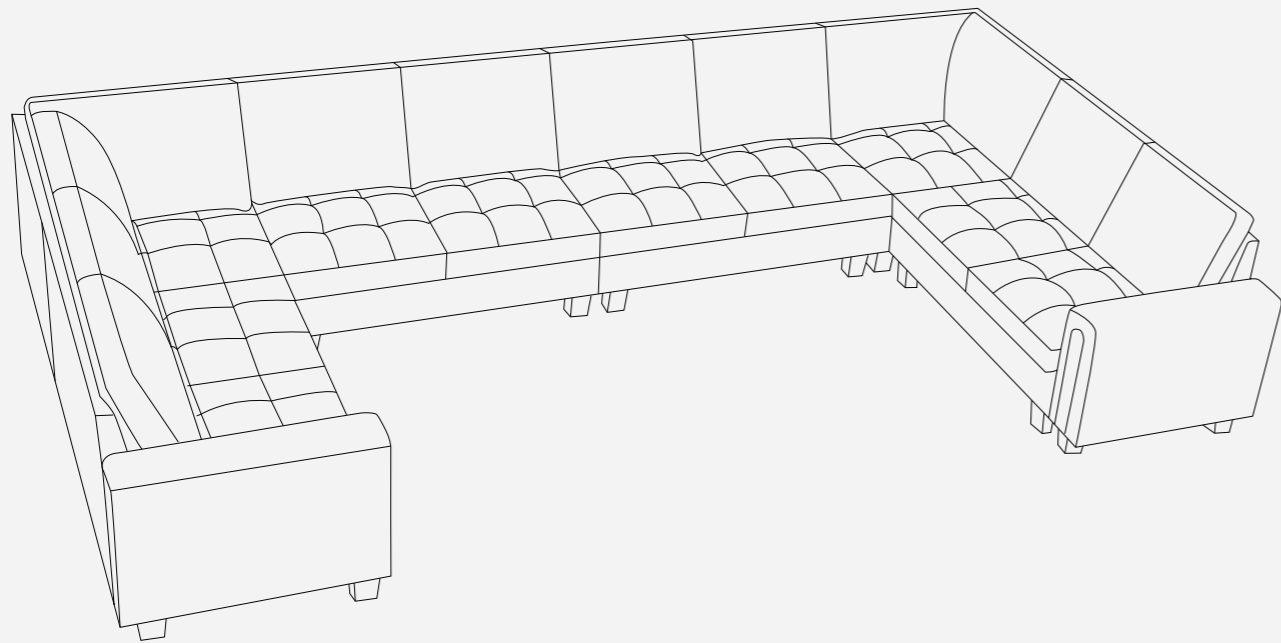
Step3: Install **A** to **C** Install **G** to **B**



Step4:

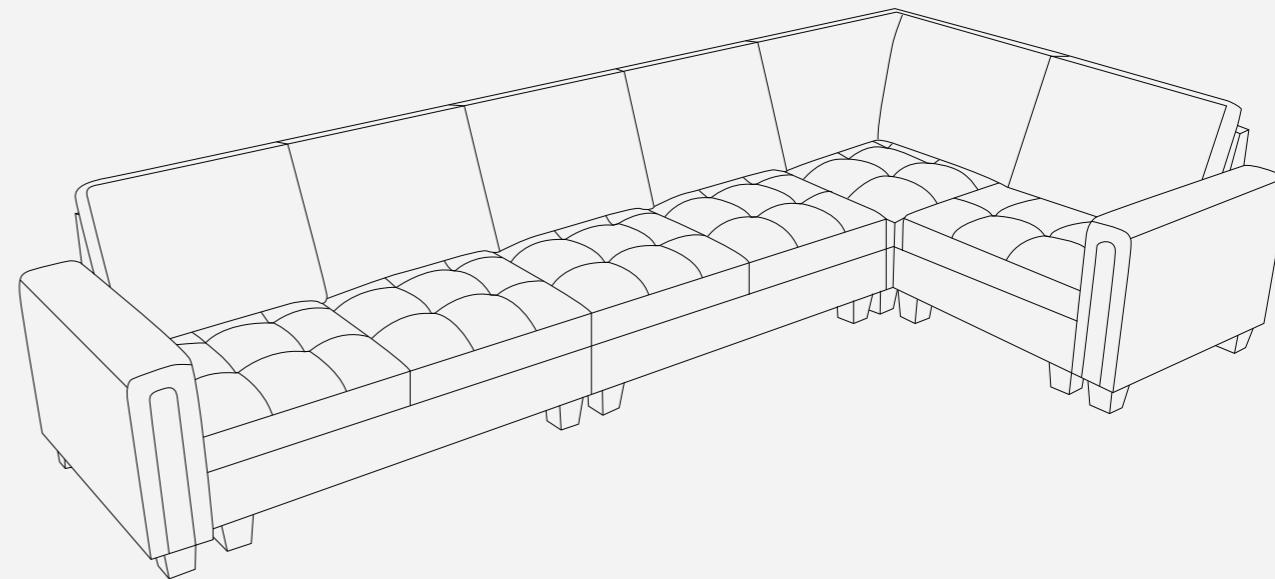


FREE COMBINATION



CARTON (A + 4B + 2D)

FREE COMBINATION



CARTON (A + 2B + C + D)