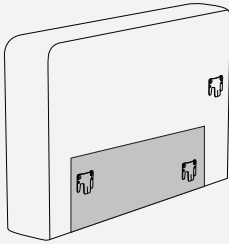


INSTRUCTIONS

Modular Sofa

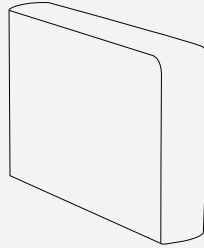
CARTON A PART LIST

A Left Armrest



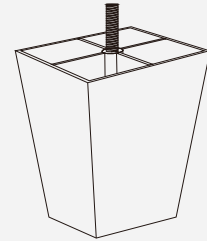
x1

B Right Armrest



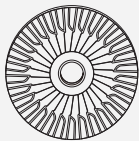
x1

1 Plastic Leg



x4

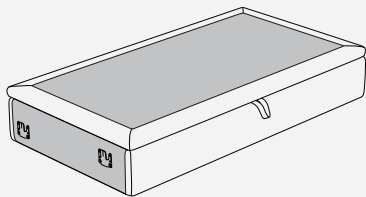
2 Plastic Washer



x4

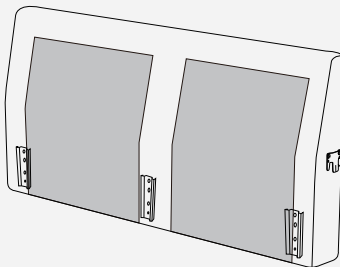
CARTON B PART LIST

C Long Seat Frame

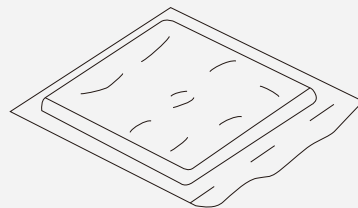


x1

D Long Back Frame

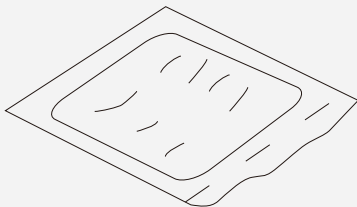


E Seat Cushion



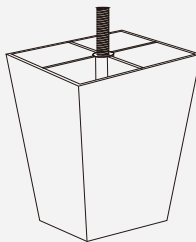
x2

F Back Pillow



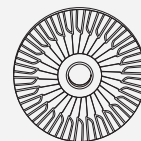
x2

1 Plastic Leg



x4

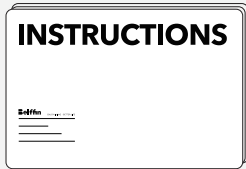
2 Plastic Washer



x4

CARTON B PART LIST

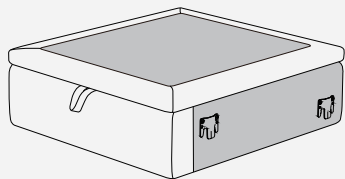
3 Assembly Instructions



x1

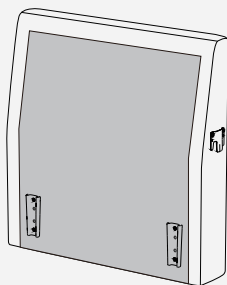
CARTON C PART LIST

G Single Seat Frame



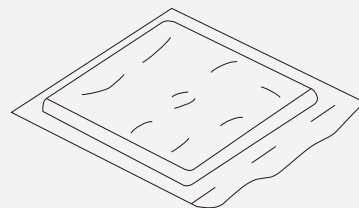
x1

H Single Back Frame



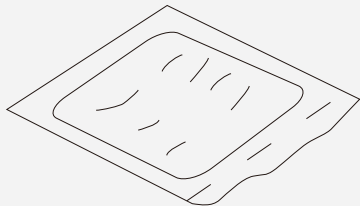
x1

E Seat Cushion



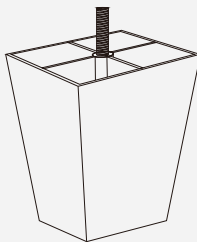
x1

F Back Pillow



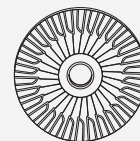
x1

1 Plastic Leg



x4

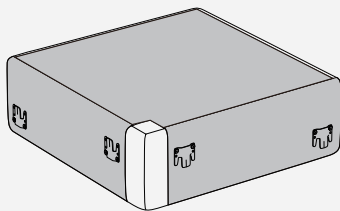
2 Plastic Washer



x4

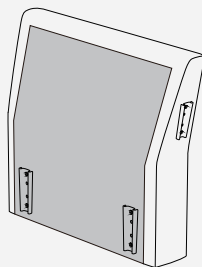
CARTON D PART LIST

J Corner Seat Frame



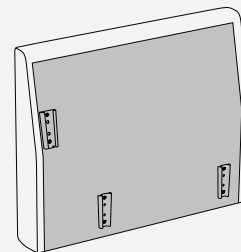
x1

K Corner Short Back Frame



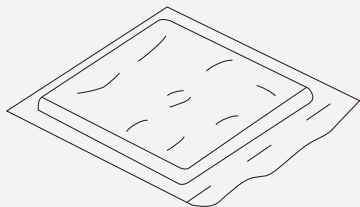
x1

L Corner Long Back Frame



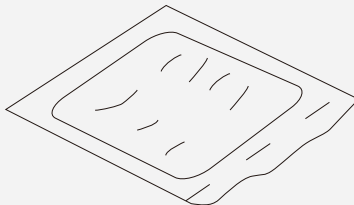
x1

M Corner Seat Cushion



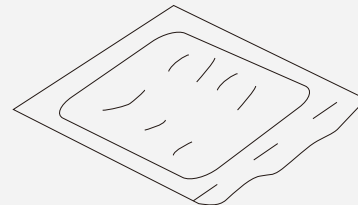
x1

N Long Corner Back Pillow



x1

P Small Corner Back Pillow

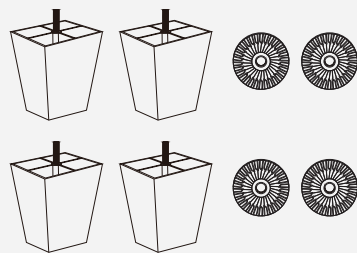
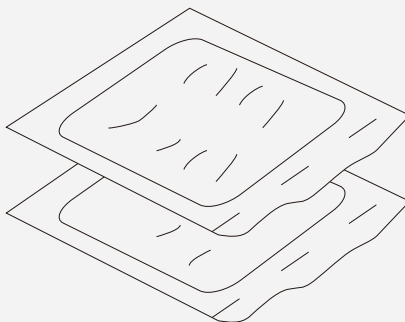
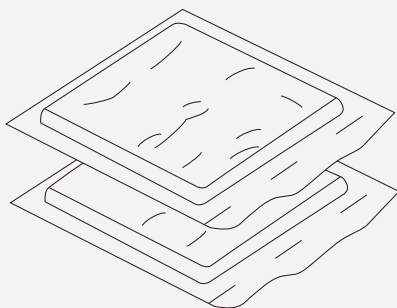
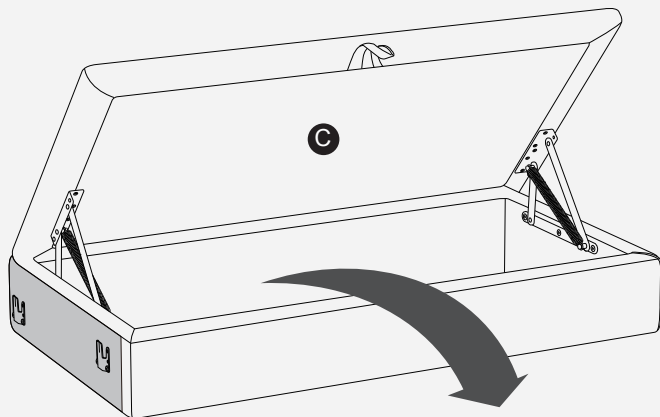


x1

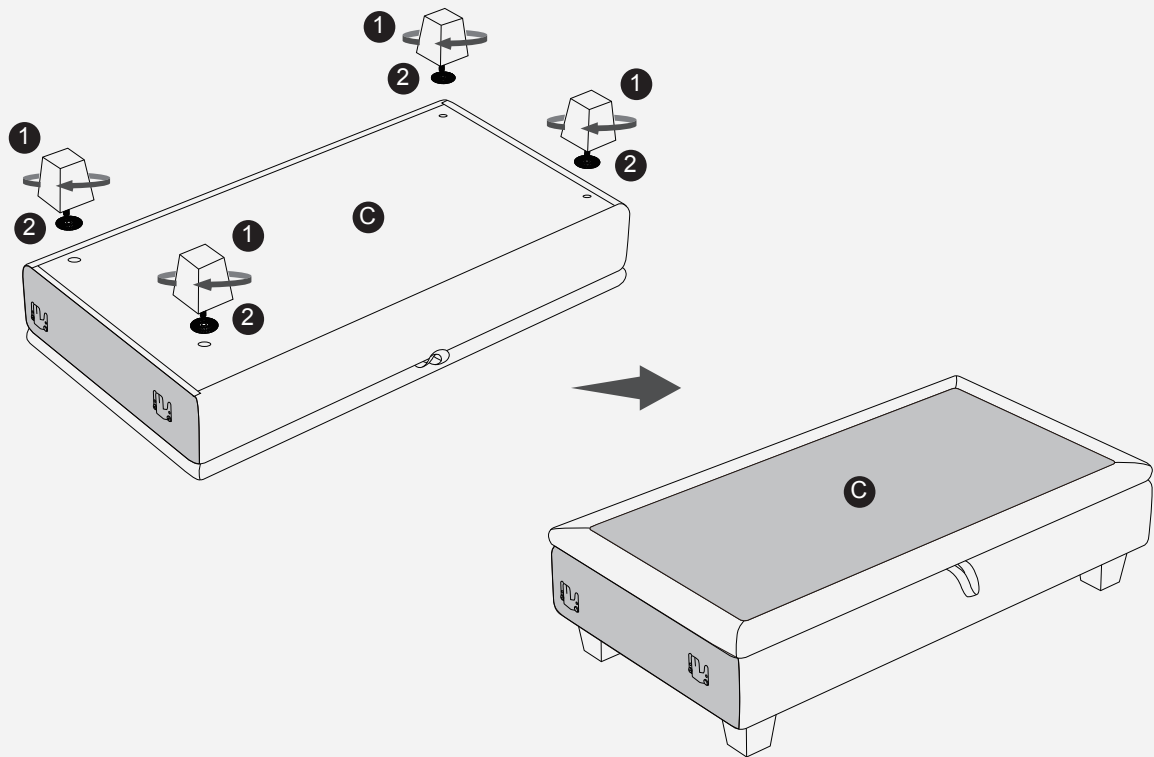
ASSEMBLY

1. Please open all cartons and remove all parts from them carefully.
Place all parts on protected surface or carpet.
2. Please connect the right armrest (part B in the carton A) with the seat frame first, then connect the rest seat frames according to the assembly instructions.
3. Then please insert all the backrests into the seat frames, and connect the left armrest (part A in the carton A) finally with the seat frame according to the assembly instructions

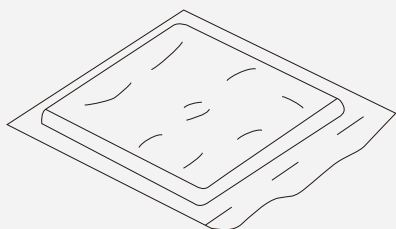
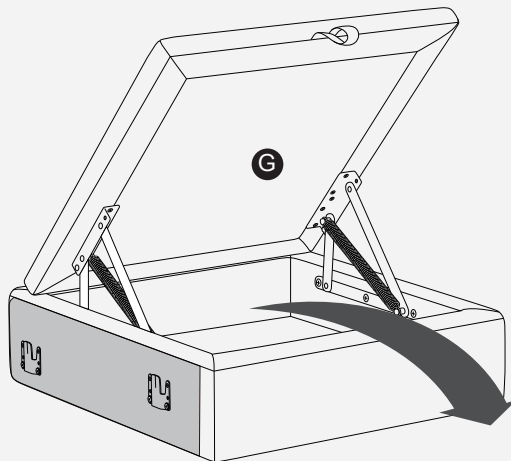
Step1:



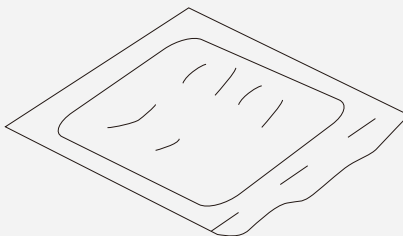
Step2:



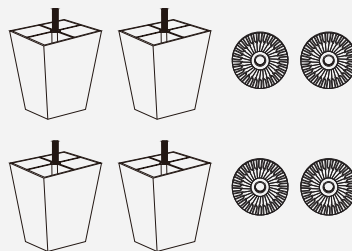
Step3:



E



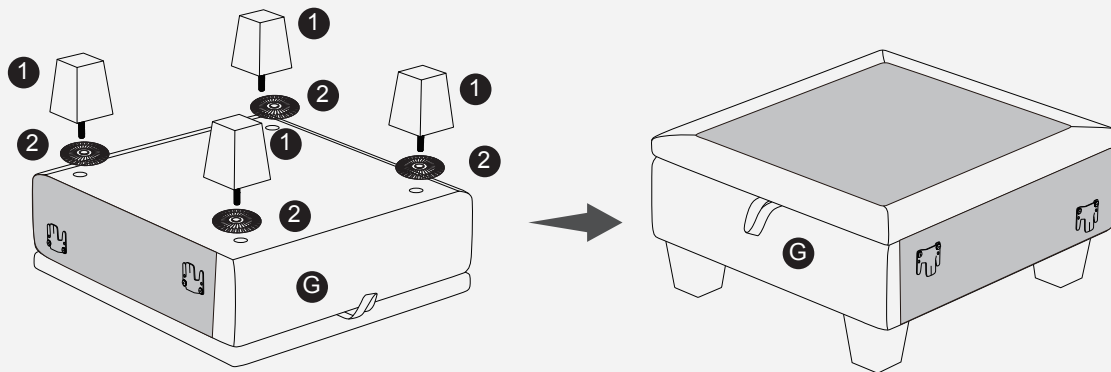
F



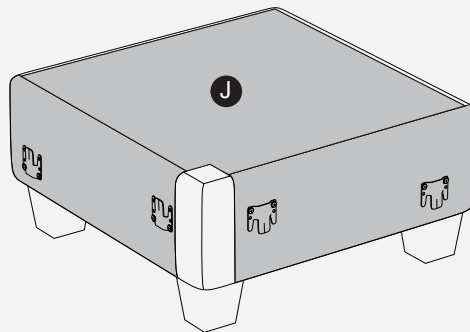
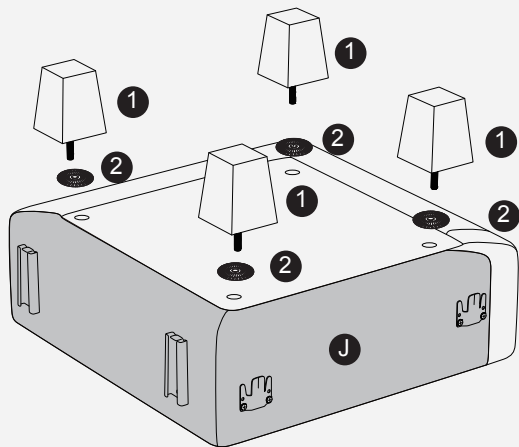
1

2

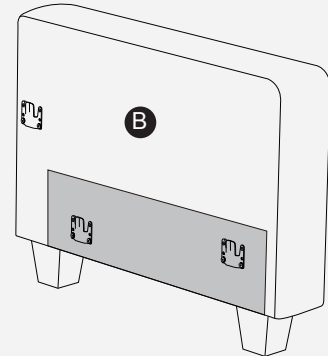
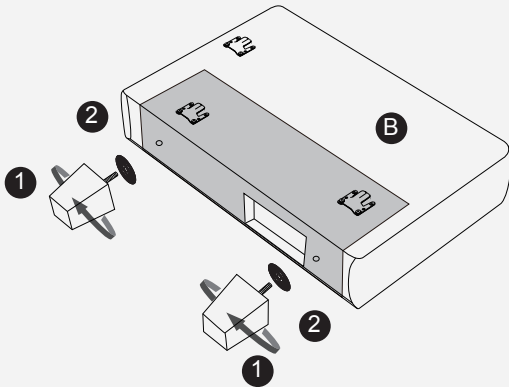
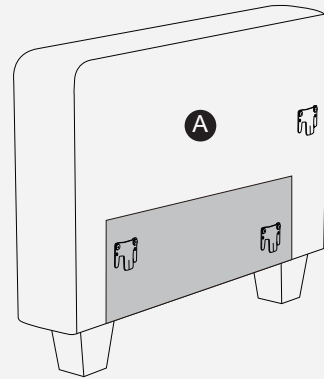
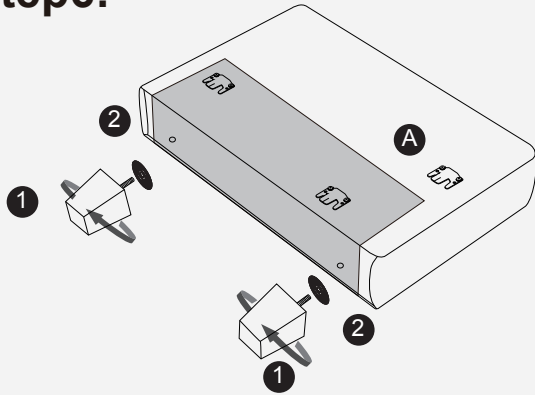
Step4:



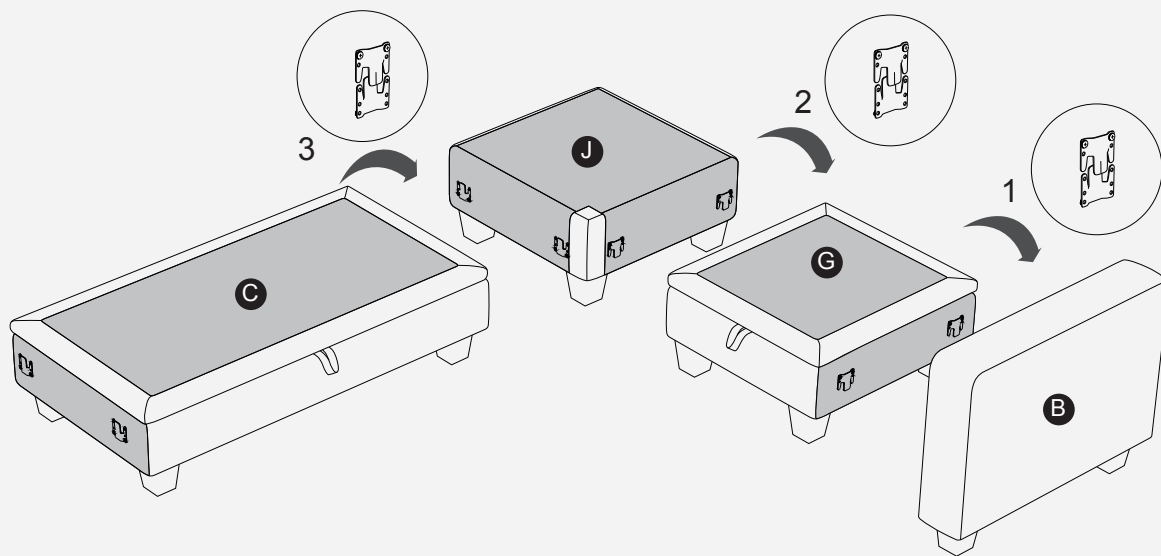
Step5:



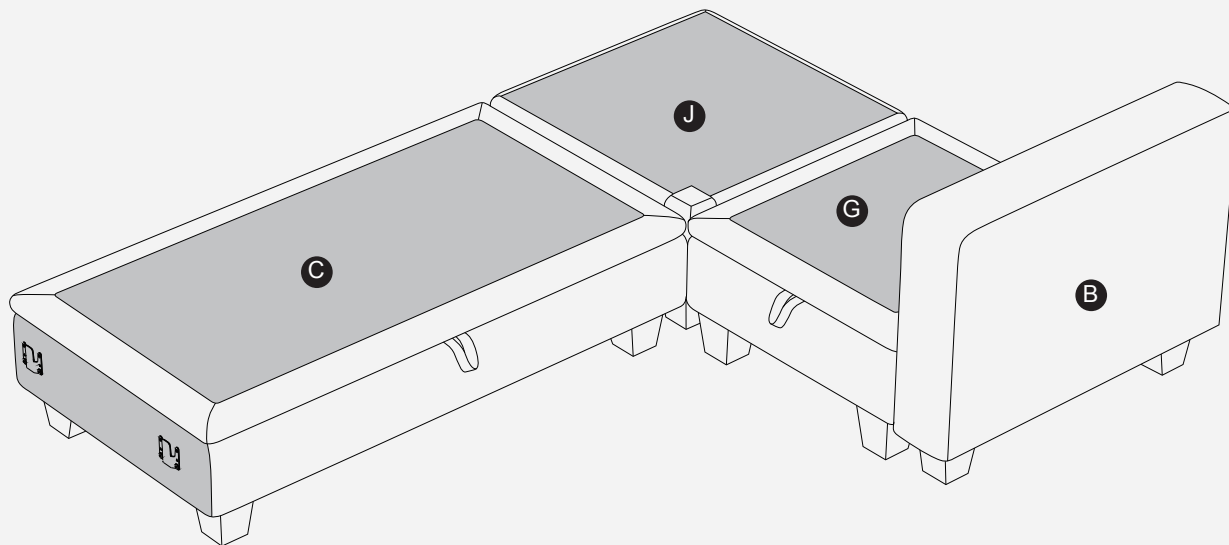
Step6:



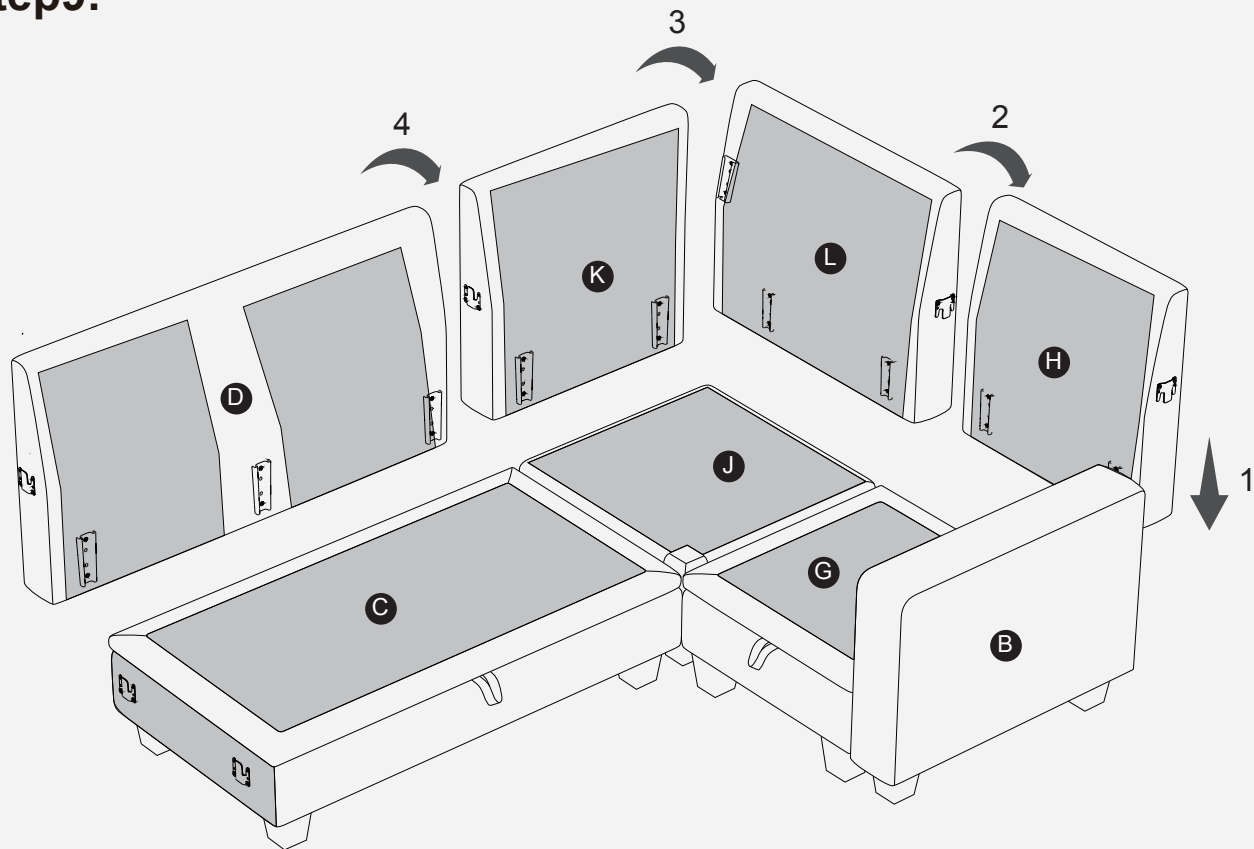
Step7:



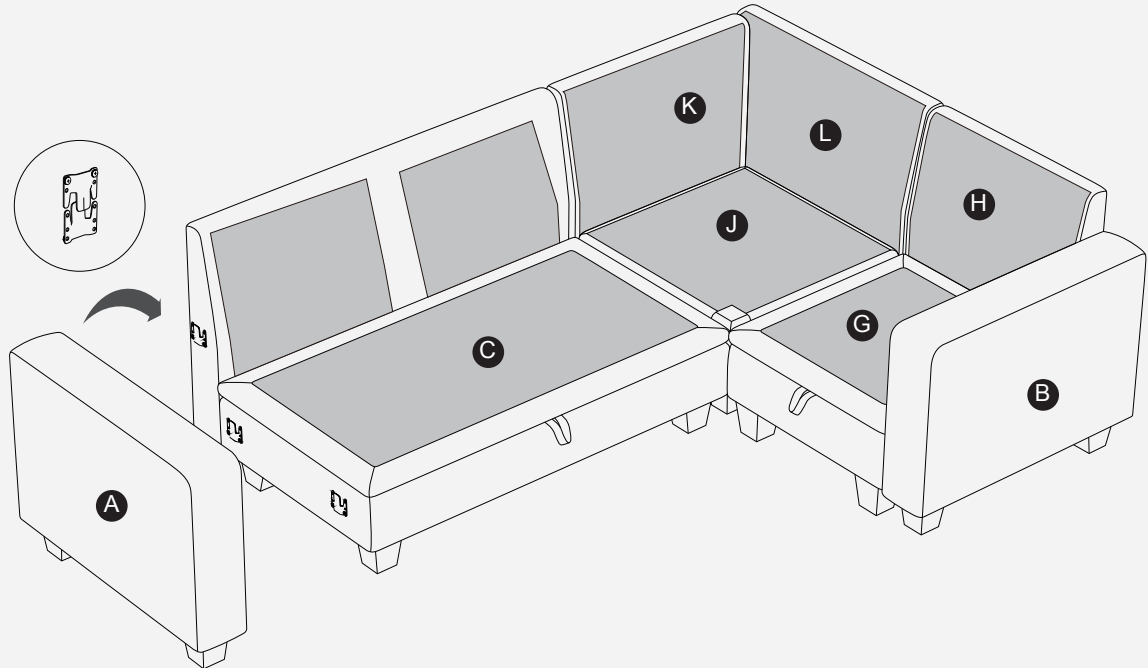
Step8:



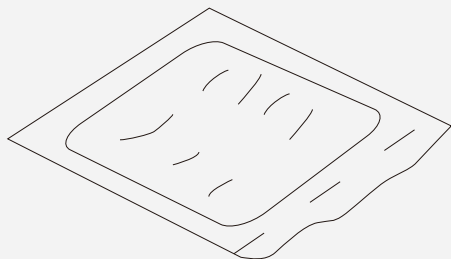
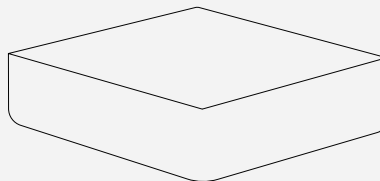
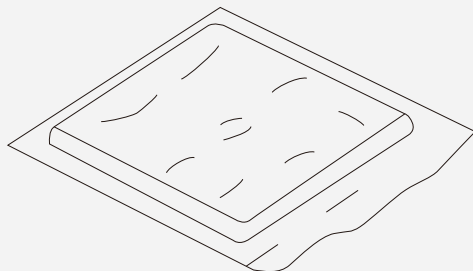
Step9:



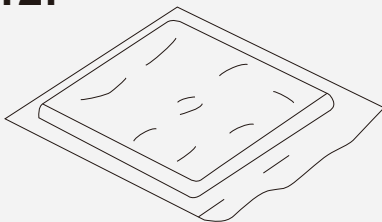
Step10:



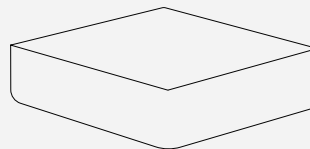
Step11:



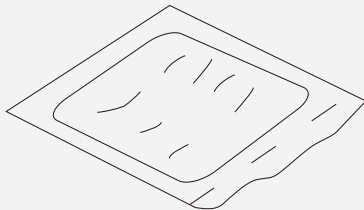
Step12:



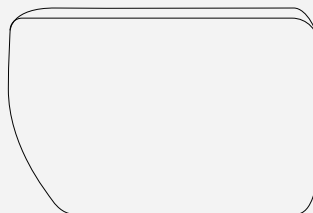
M



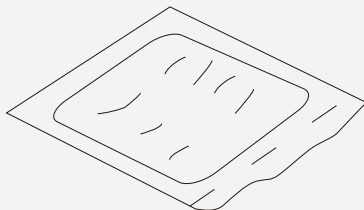
M'



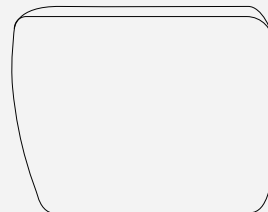
N



N'

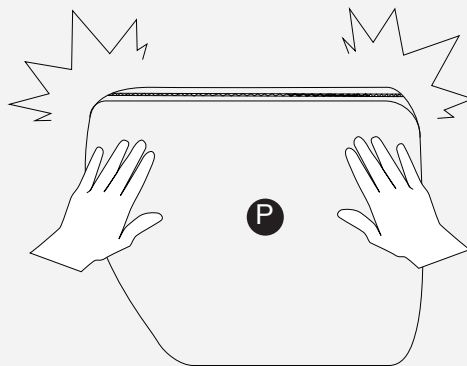
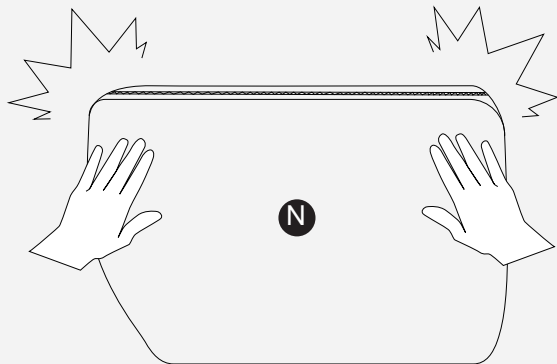
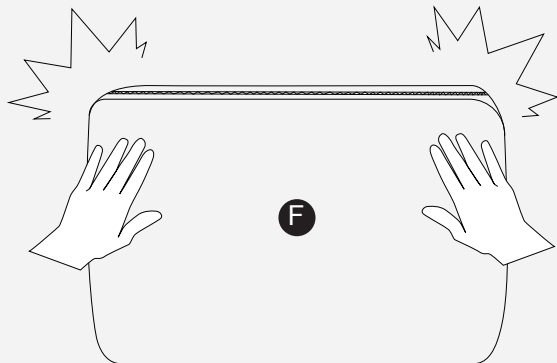


P

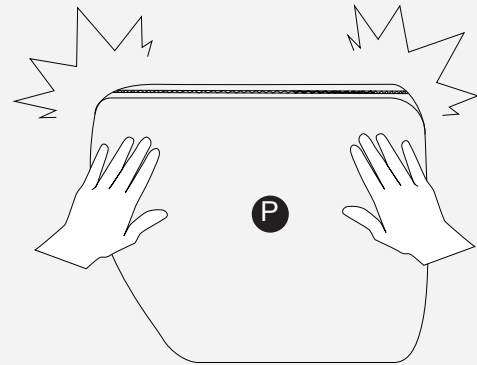
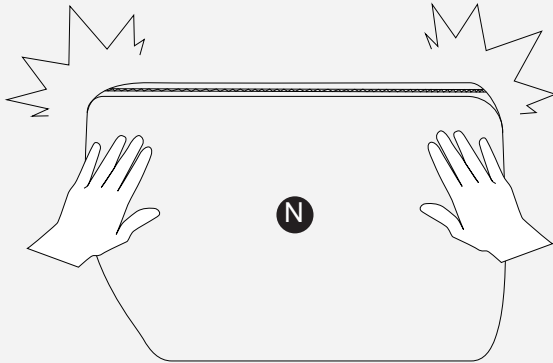
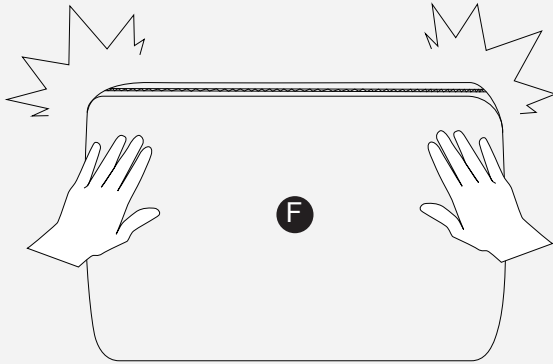


P'

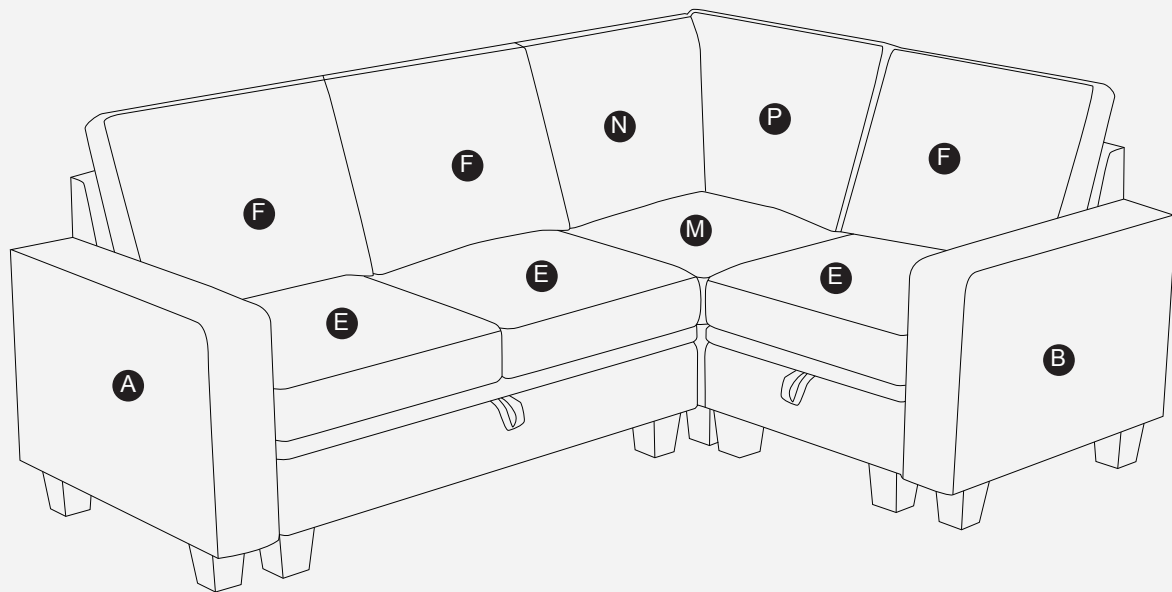
Step13:



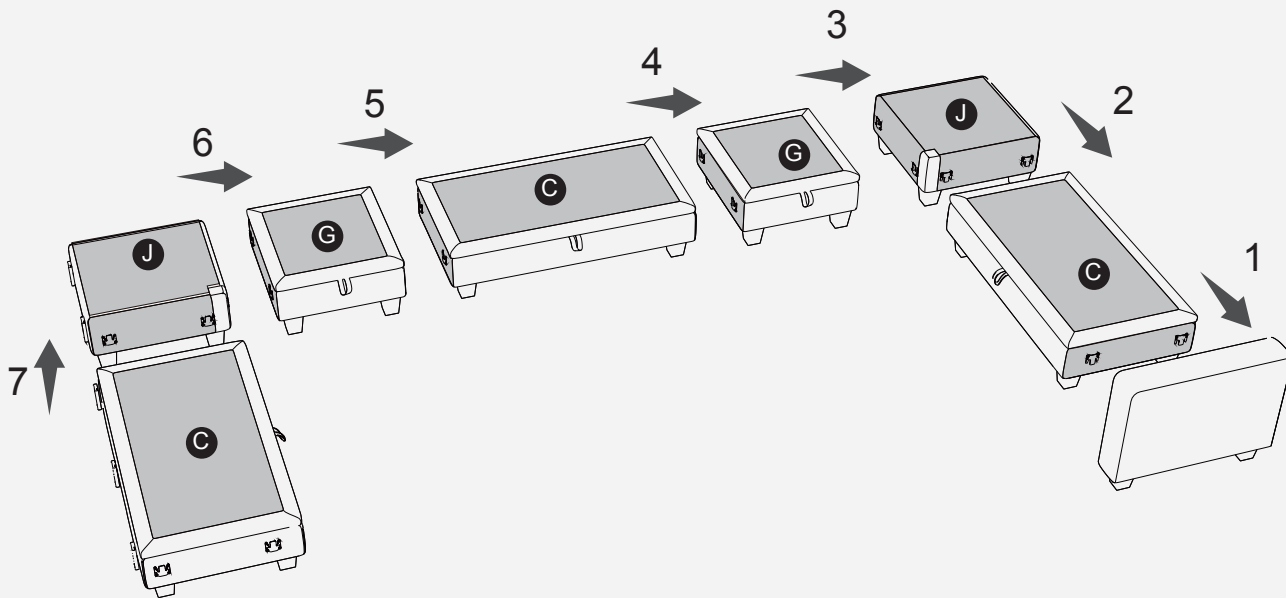
Step13:



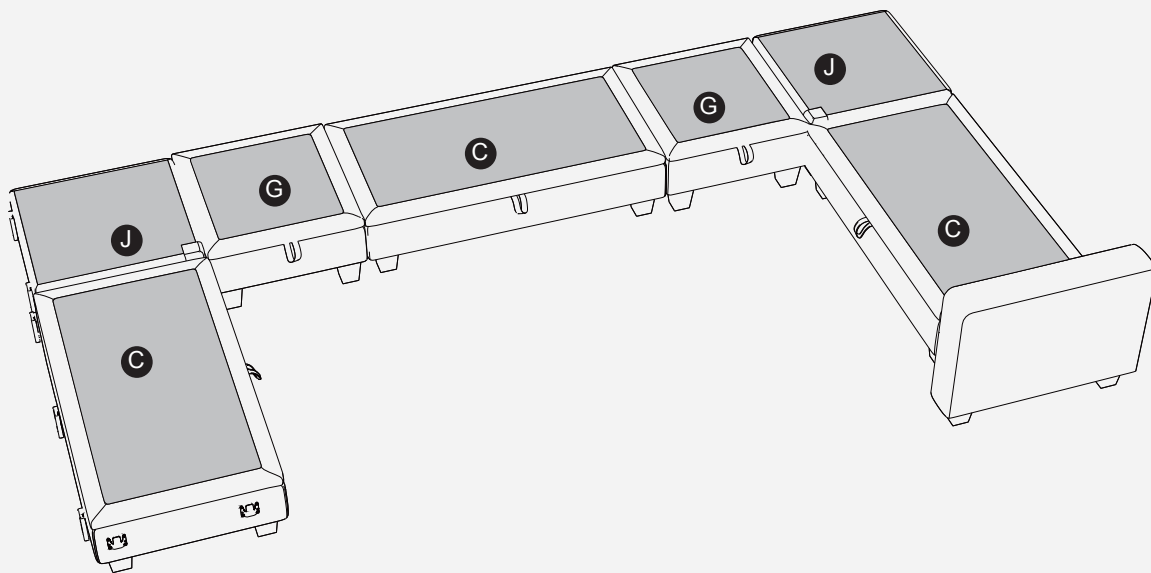
Step14:



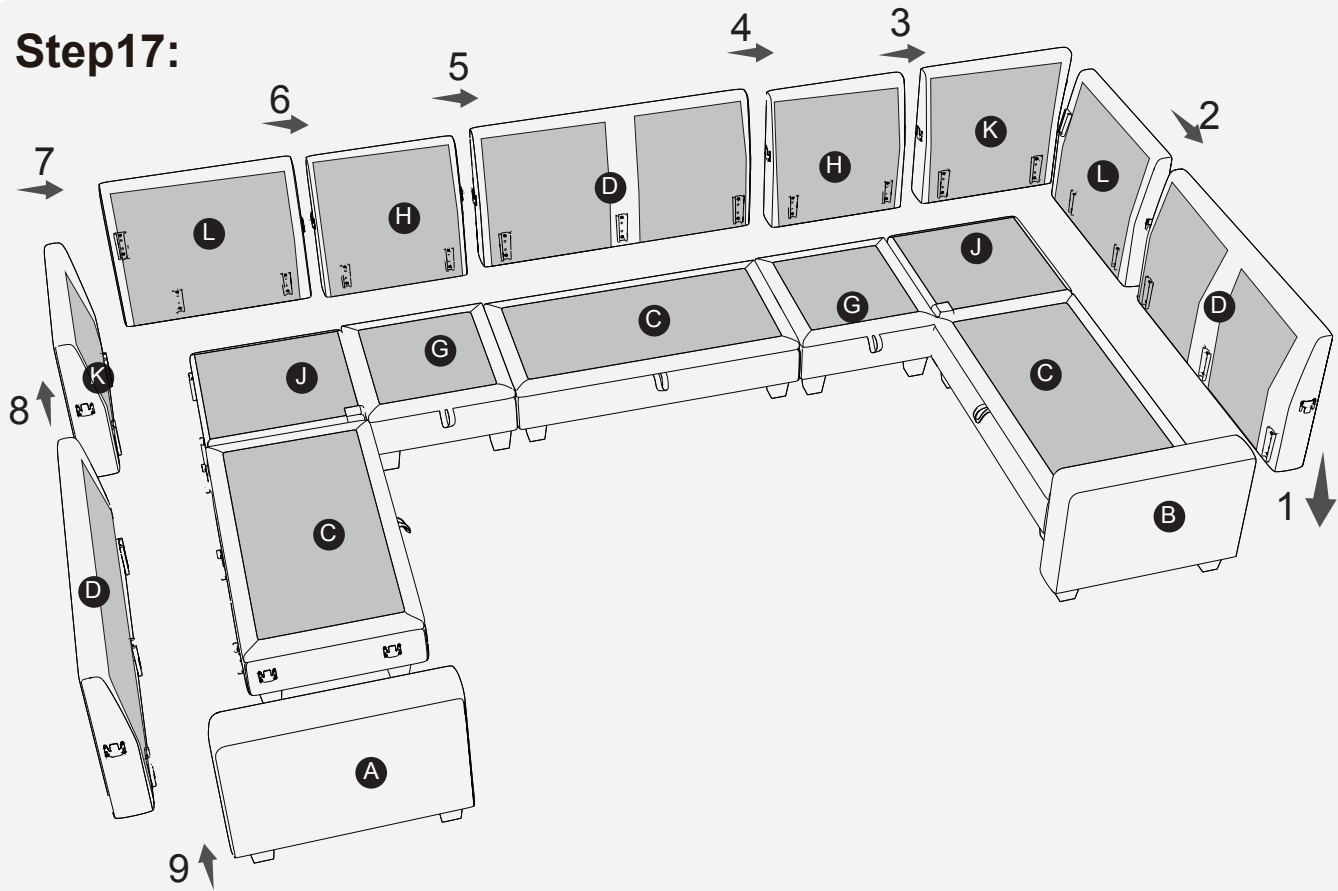
Step15:



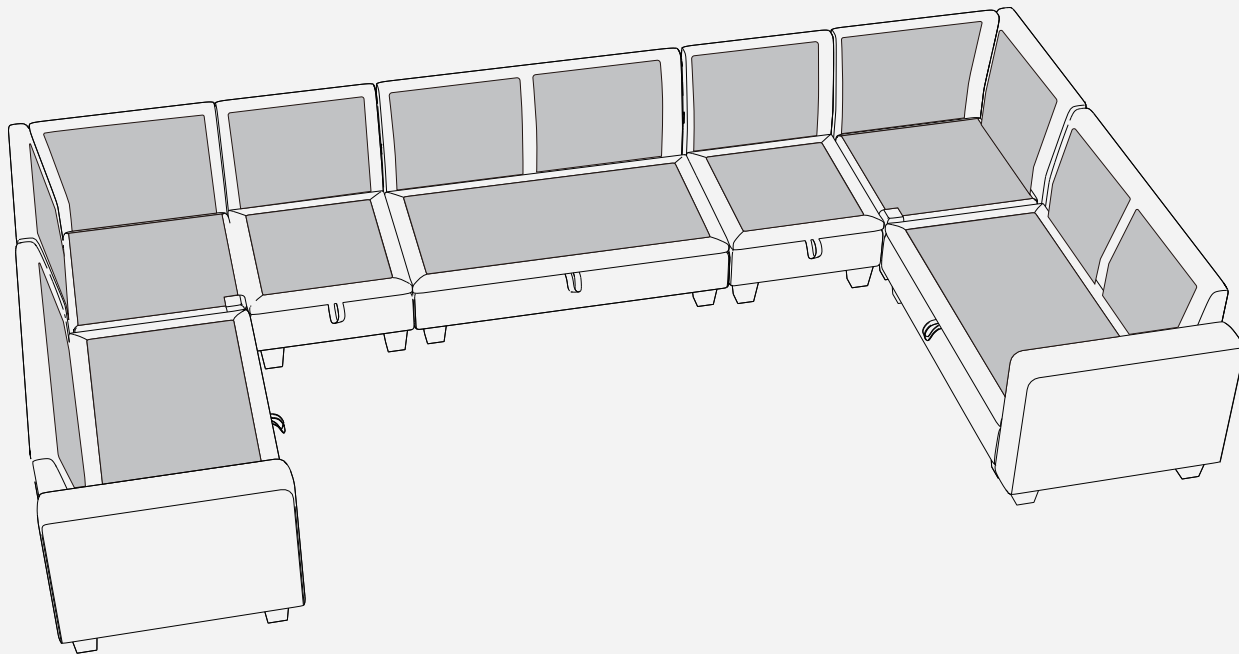
Step16:



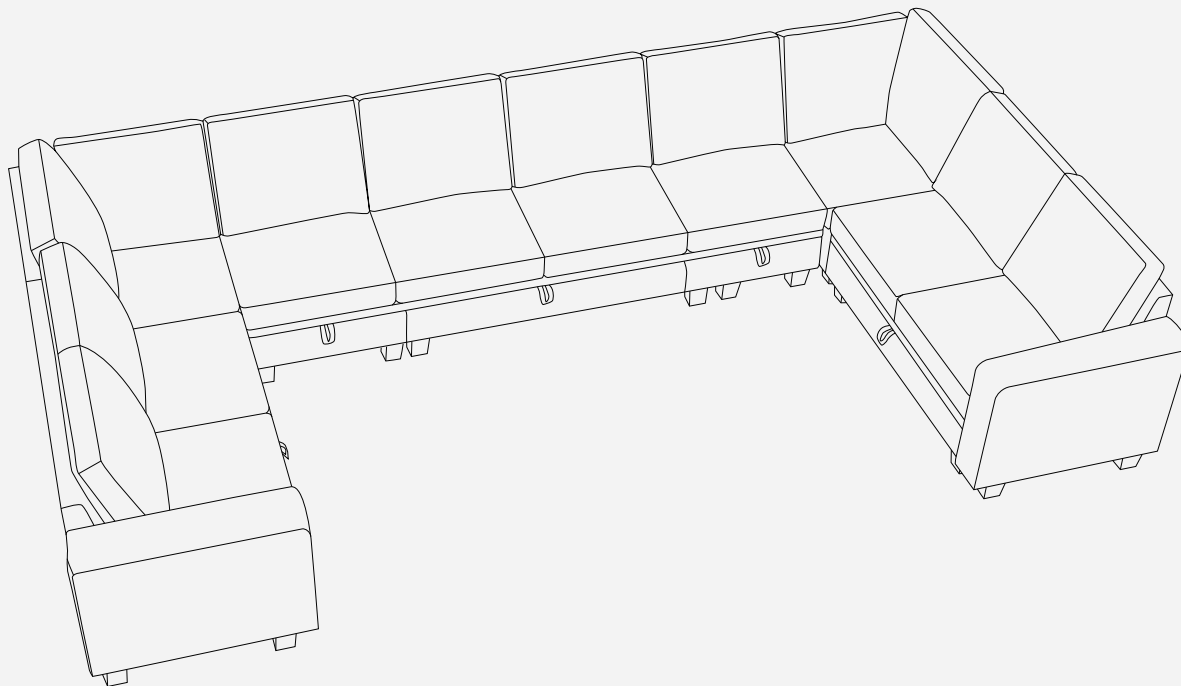
Step17:



Step18:



FREE COMBINATION



CARTON (1A + 3B + 2C + 2D)