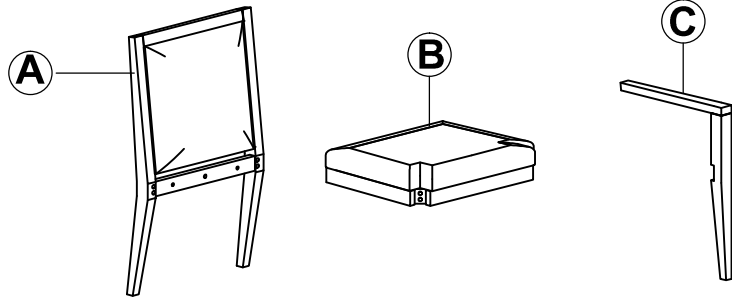


ARM CHAIR ASSEMBLY INSTRUCTIONS

PARTS PACKING CONFIGURATIONS

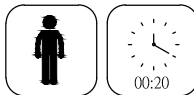
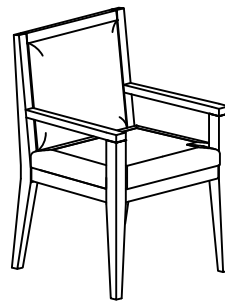
- A. CHAIR BACK 1 PC
- B. SEAT CUSHION 1 PC
- C. CHAIR ARM/LEG 2 PCS



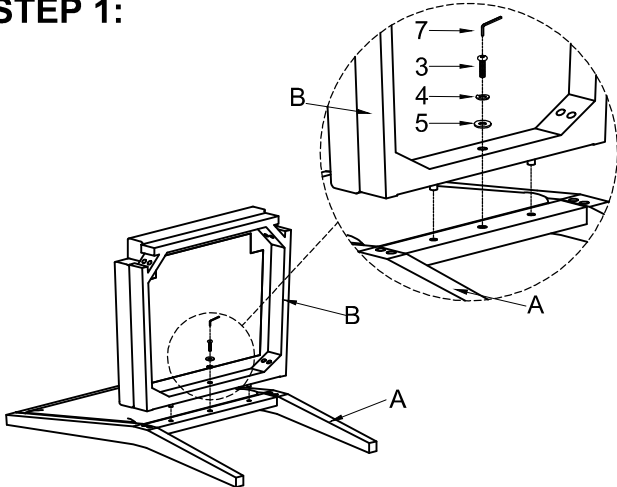
HARDWARE ENCLOSED IN CARTON

No	Description	Photo	Quantity
1	ALLEN BOLT (5/16 x 2)		4 PCS
2	ALLEN BOLT (5/16 x 3)		4 PCS
3	ALLEN BOLT (5/16 x 1-3/4)		1 PC
4	LOCK WASHER (5/16)		9 PCS
5	FLAT WASHER (5/16)		9 PCS
6	SCREW (8 x 1-1/2)		2 PCS
7	ALLEN KEY		1 PC

ARM CHAIR FULLY ASSEMBLED

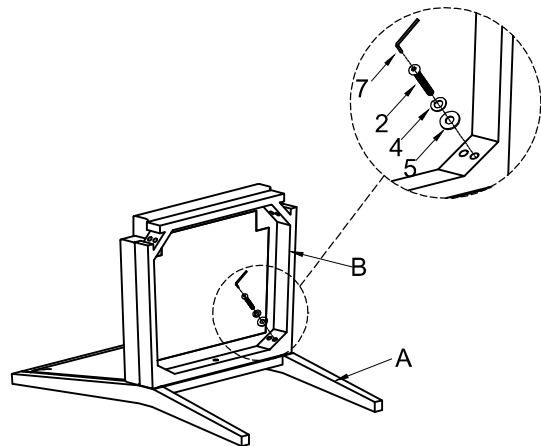


STEP 1:



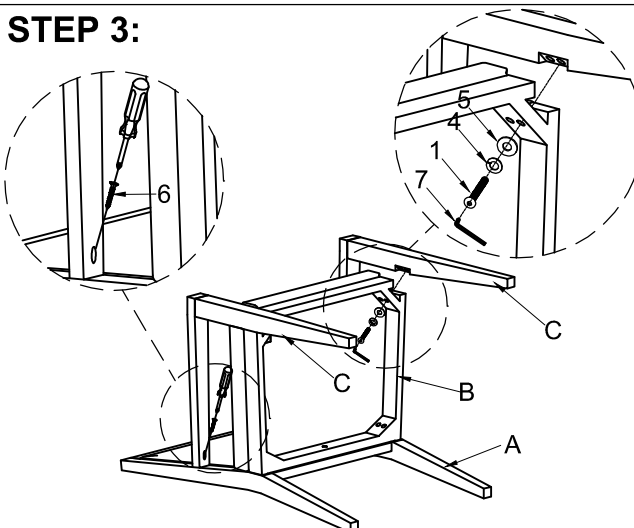
DO NOT TIGHTEN BOLTS COMPLETELY

STEP 2:



DO NOT TIGHTEN BOLTS COMPLETELY

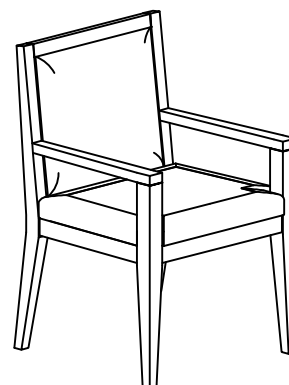
STEP 3:



DO NOT TIGHTEN BOLTS OR SCREWS COMPLETELY

STEP 4:

ON A FLAT, LEVEL SURFACE PLACE THE CHAIR UPRIGHT. WHEN CHAIR IS LEVELED, PLEASE TIGHTEN ALL ASSEMBLY BOLTS AND SCREWS.



FULLY ASSEMBLED