



PRODUCT ASSEMBLY

1



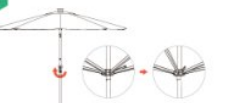
Insert the solar panel into the top of the umbrella, connect the wires, and secure it.

2




Press the marbles on the umbrella pole, insert the lower pole into the umbrella pole, and lock it in place.

3




Place the umbrella to the umbrella base (not included). Before opening, tidy the umbrella ribs and umbrella cloth to separate them. Rotate the handle clockwise until the umbrella is fully extended.

4




Press and hold the button on the umbrella upper pole to tilt the umbrella left and right.

5



To turn the solar light on and off, press the switch located on the umbrella pole.
Note: The umbrella must be fully charged on first use. It can be charged in sunlight for 8 hours. When the umbrella is out of use, the solar panels should be removed or it should be fully charged in sunny conditions. If you noticed the lights seems dim, please charge the panel under sunshine.

6



When out of use, please put away the umbrella and bundle it with the Velcro straps on the cloth surface of the umbrella.

WARRANTY



1-YEAR Warranty Program

- For a period of one (1) years after date of purchase, the Manufacturer will either repair or replace defective components in accordance with this Limited Warranty. This warranty is between the Manufacturer and the original purchaser and is valid only when accompanied by the original purchaser's sales receipt showing original date of purchase and location of purchase. Replacements under this warranty revert back to the date of original purchase for future warranty.
- The manufacturer or its authorized dealer can accept or reject warranty claims based on its findings. This warranty applies in normal residential use only and is not intended for commercial use. The Manufacturer can make substitutions as required of materials, components, and sub-components of comparable value and utility. This warranty is limited to product repair or replacement (to be determined solely by the Manufacturer). Warranty return is limited to only the single affected component.
- This limited warranty covers only manufacturing defects and does not cover normal wear and tear, damage due to acts of nature (such as, but not limited to freezing or high winds), abuse or misuse, including chemical damage from suntan oil or other chemicals, exposure to extreme heat or cold, abrasion or excessive weight. This product is intended to be used in standard installations only. This warranty is void if the product is not used for its intended purpose. The Manufacturer disclaims liability for any aspect of installation and any inconvenience caused by a defective part of a component.

HELP CENTER

Question about your product?

We are here to help, contact us by

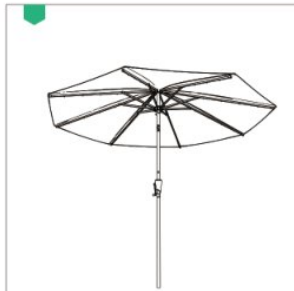
patio@homeselecting.com





INSTRUCTION MANUAL

EMAIL | patio@homeselecting.com



9/10FT Galaxy Parasols



6.5*10FT Galaxy Parasols




**If you have any issue with our products, such as missing parts, please email: patio@homeselecting.com*

PARTS

Estimated assembly time **3-4 minutes**,
no tools required for assembly



Scan the QR code for assembly videos

Parts		DESCRIPTION	QTY
A		Umbrella frame	1
B		Lower pole	1
C		Solar panels	1

**If you have any issue with our products, such as missing parts, please email: patio@homeselecting.com*