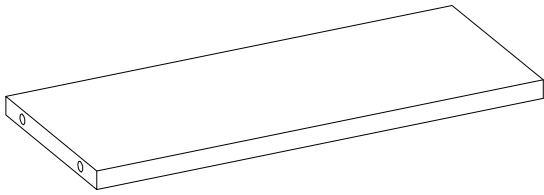


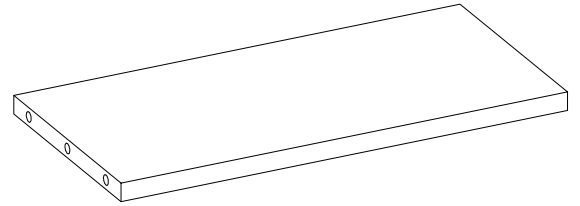
1



370*151*15mm

1 PC

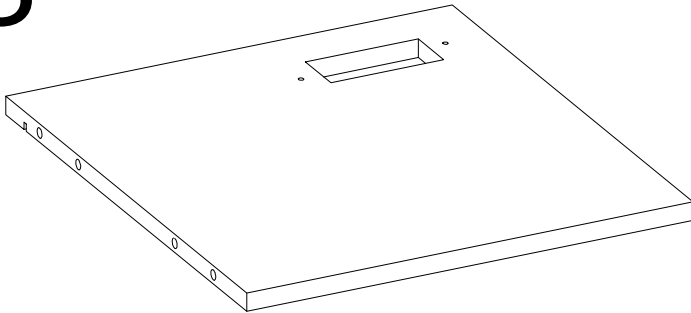
2



370*178*15mm

1 PC

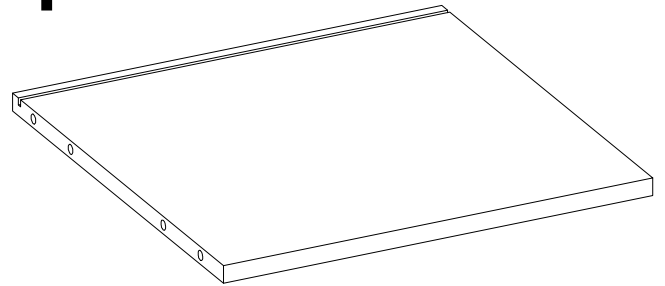
3



370*399.5*15mm

1 PC

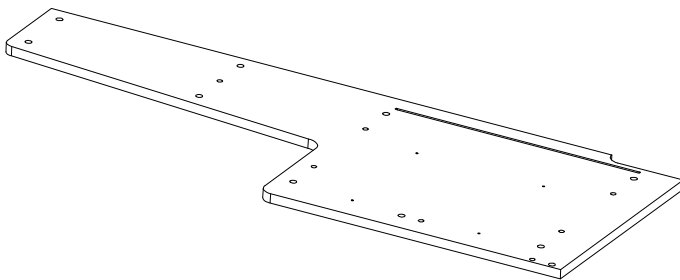
4



370*364*15mm

1 PC

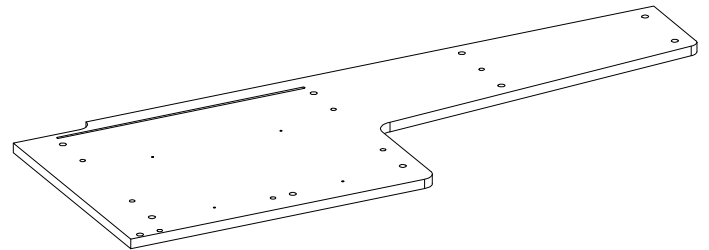
5



1045*400*15mm

1 PC

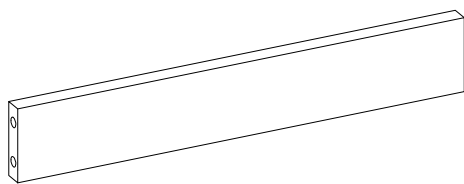
6



1045*400*15mm

1 PC

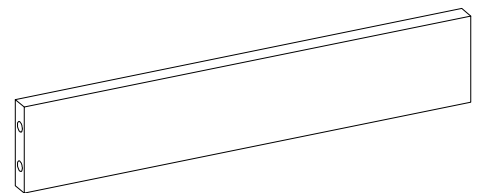
7



370*60*15mm

1 PC

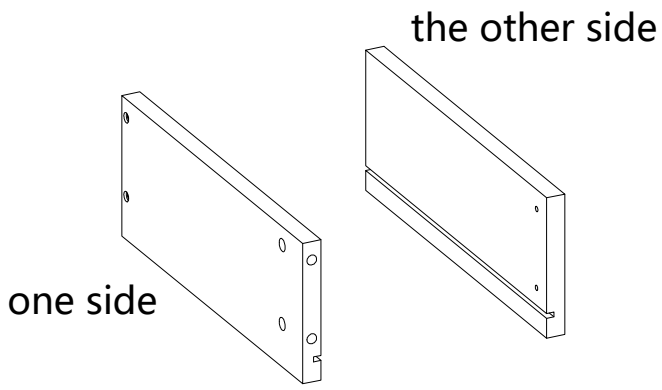
8



370*70*15mm

1 PC

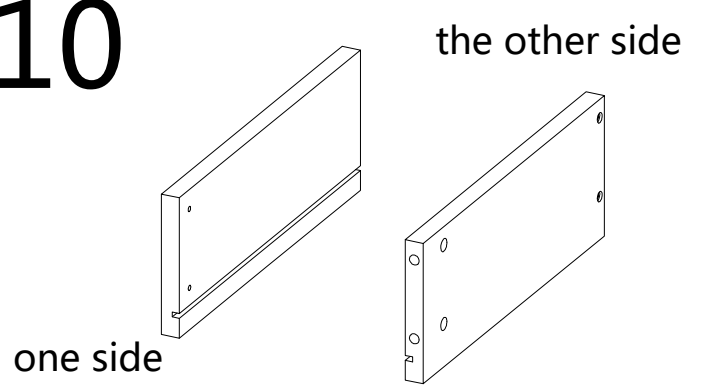
9



300*114*15mm

2 PCS

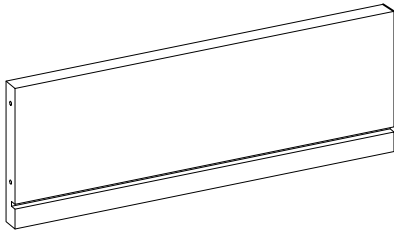
10



300*114*15mm

2 PCS

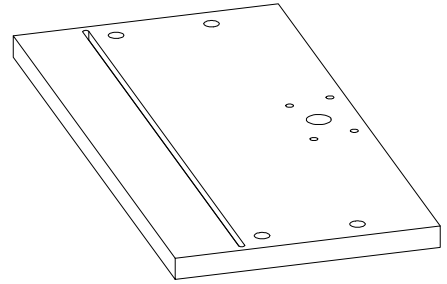
11



314*114*15mm

2 PCS

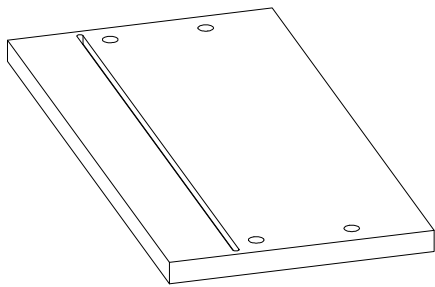
12



177.5*365*15mm

1 PC

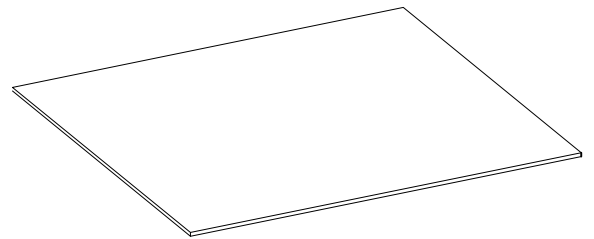
13



177.5*365*15mm

1 PC

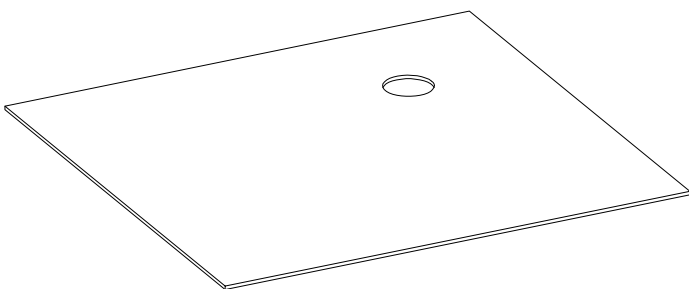
14



295*324*3mm

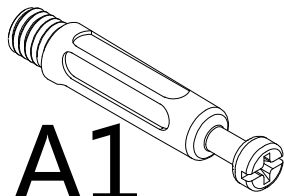
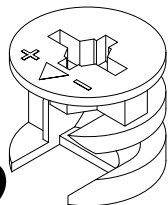
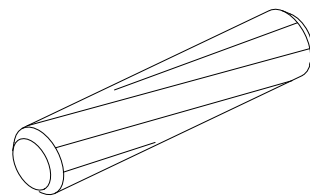
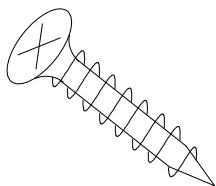
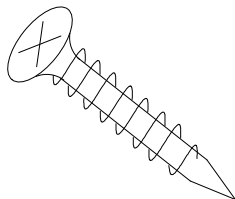
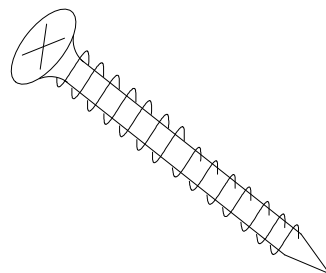
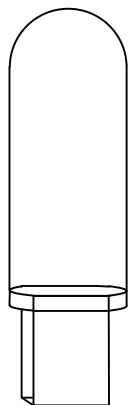
2 PCS

15

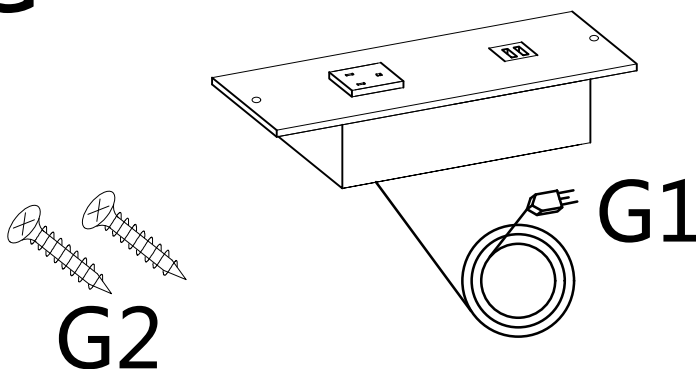


400.5*380*3mm

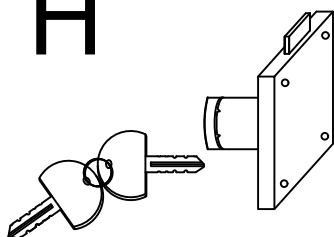
1 PC

A**A1**
 $\phi 7 \times 40 \text{mm}$
A2
 $\phi 15 \times 11 \text{mm}$ 28PCS
B
 $\phi 8 \times 30 \text{mm}$ 14PCS
C
 $M3.5 \times 14 \text{mm}$ 22PCS
D
 $M3.5 \times 16 \text{mm}$ 4PCS
E
 $M3.5 \times 35 \text{mm}$ 8PCS
F

1PC

G**G2****G1**

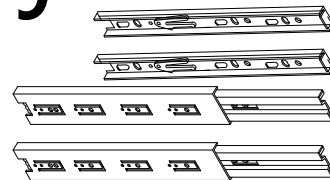
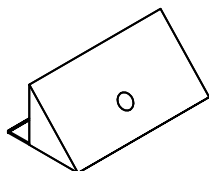
1PC

H

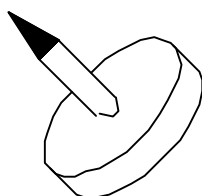
1PC

I

1PC

J**J1****J2**
 $L=300 \text{mm}$ 2PCS
K

4PCS

L

6PCS

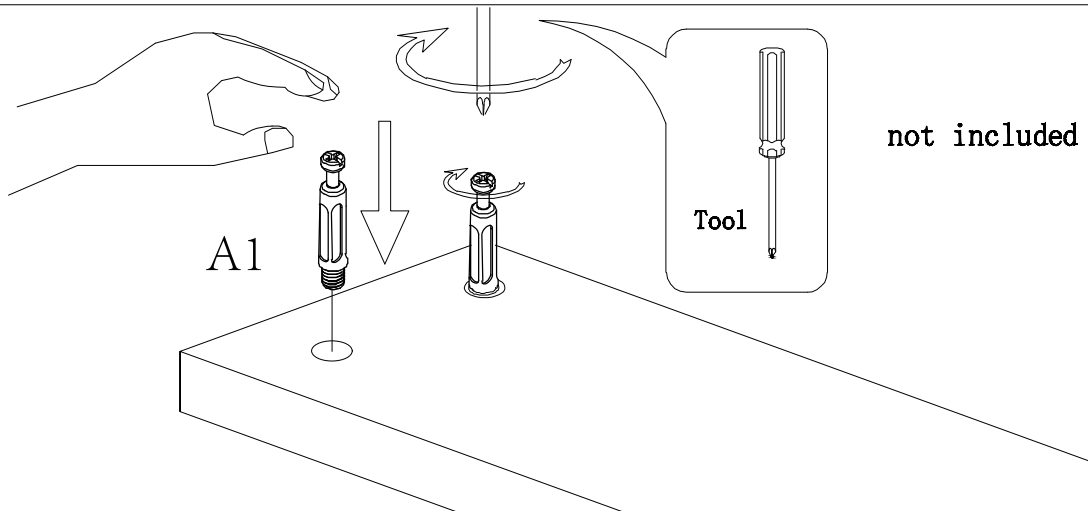
M
 $\phi 21 \text{mm}$ 28PCS

Hardware installation demonstration

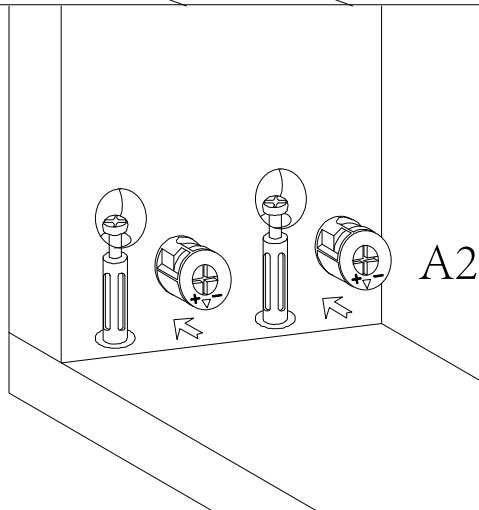


NOTE: Please make sure "A1" hardware tightened and can't be pulled out!

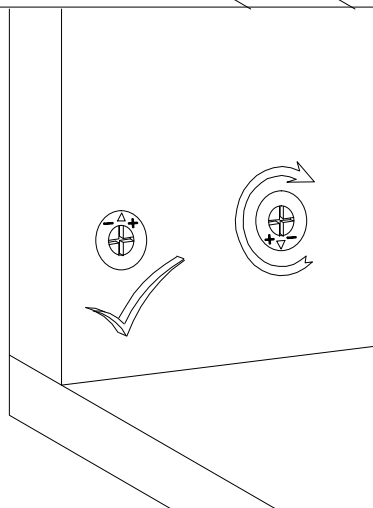
I



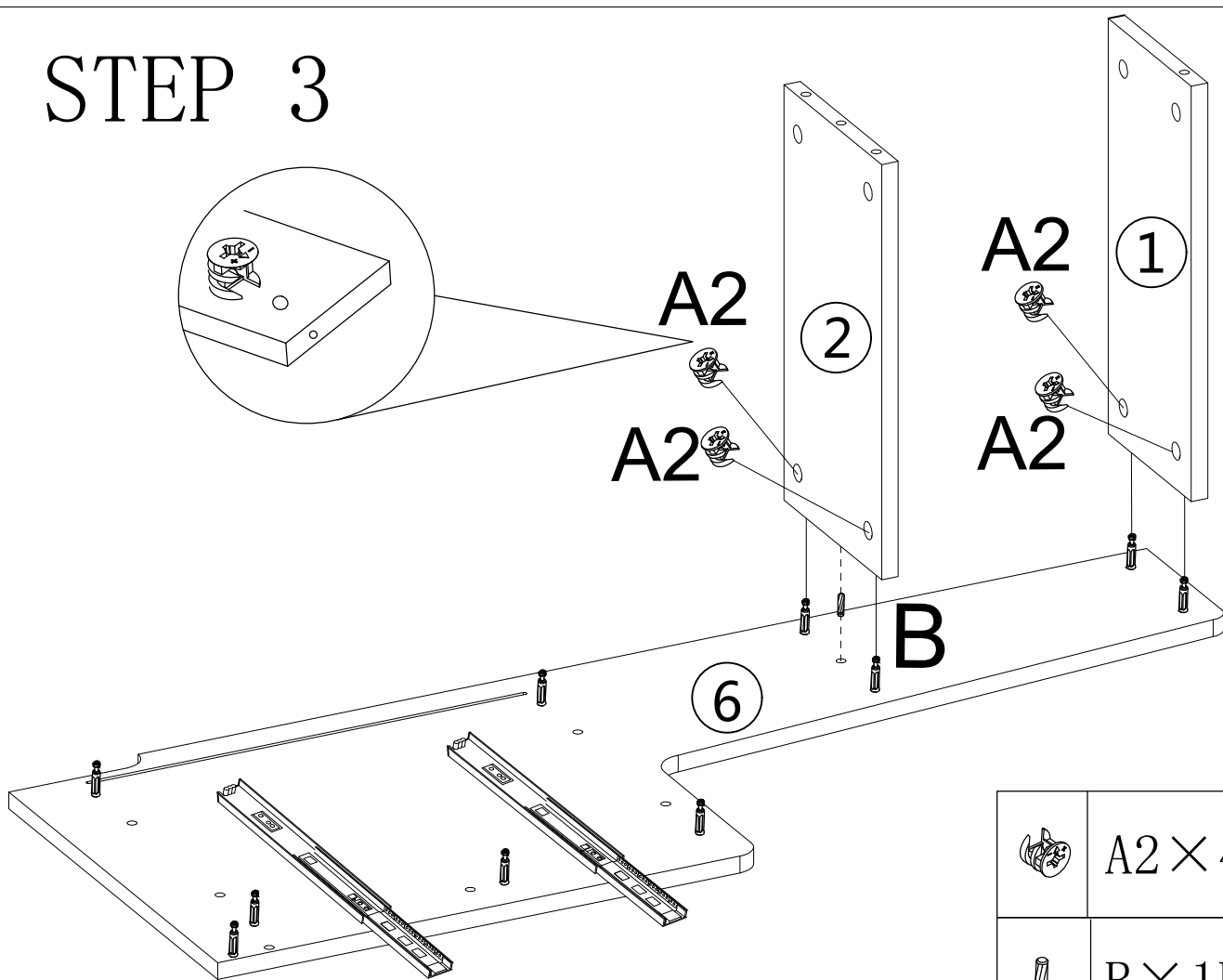
II





III

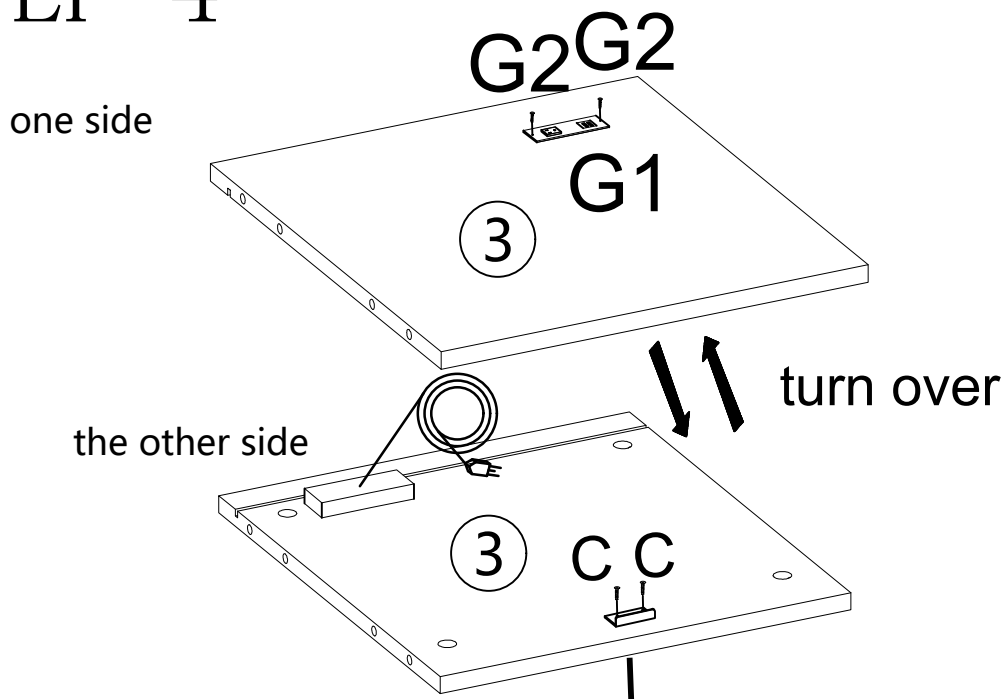






STEP 3



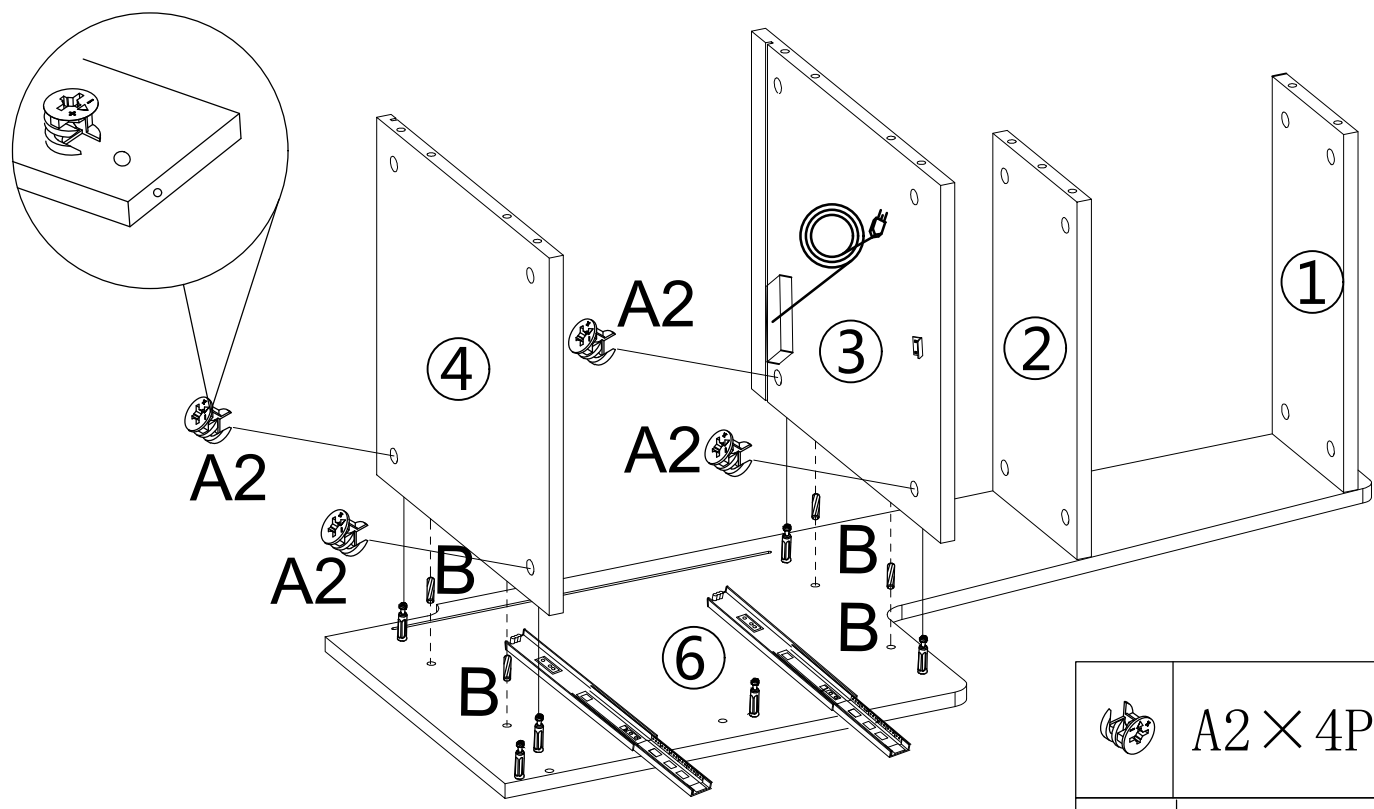
	A2 × 4PCS
	B × 1PC



STEP 4



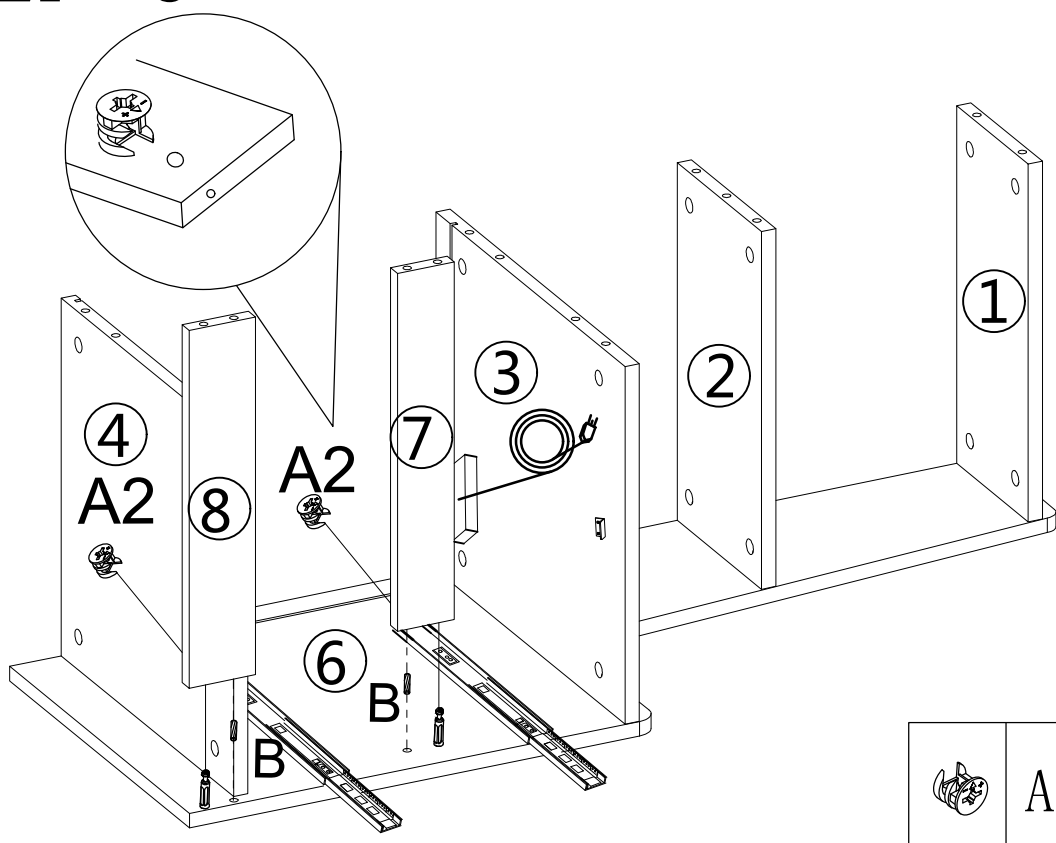
	C × 2PCS		I × 1PC
	G1 × 1PC		G2 × 2PCS



STEP 5



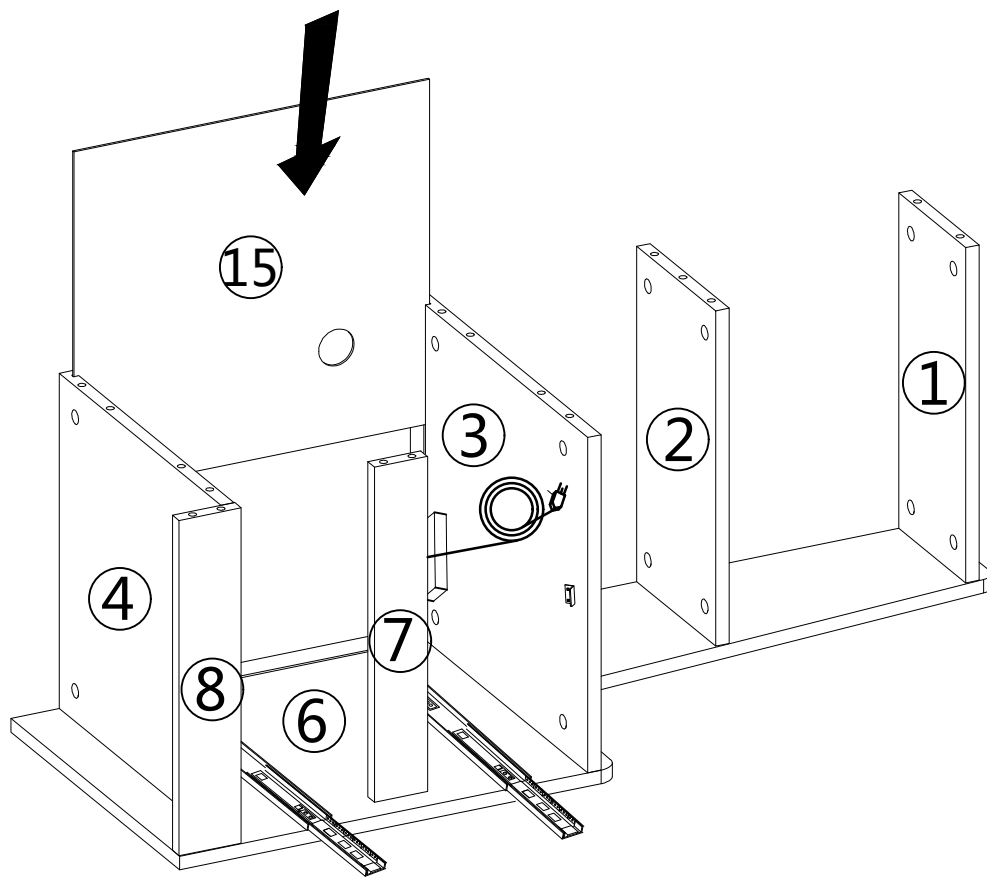
	A2 × 4PCS
	B × 4PCS

STEP 6

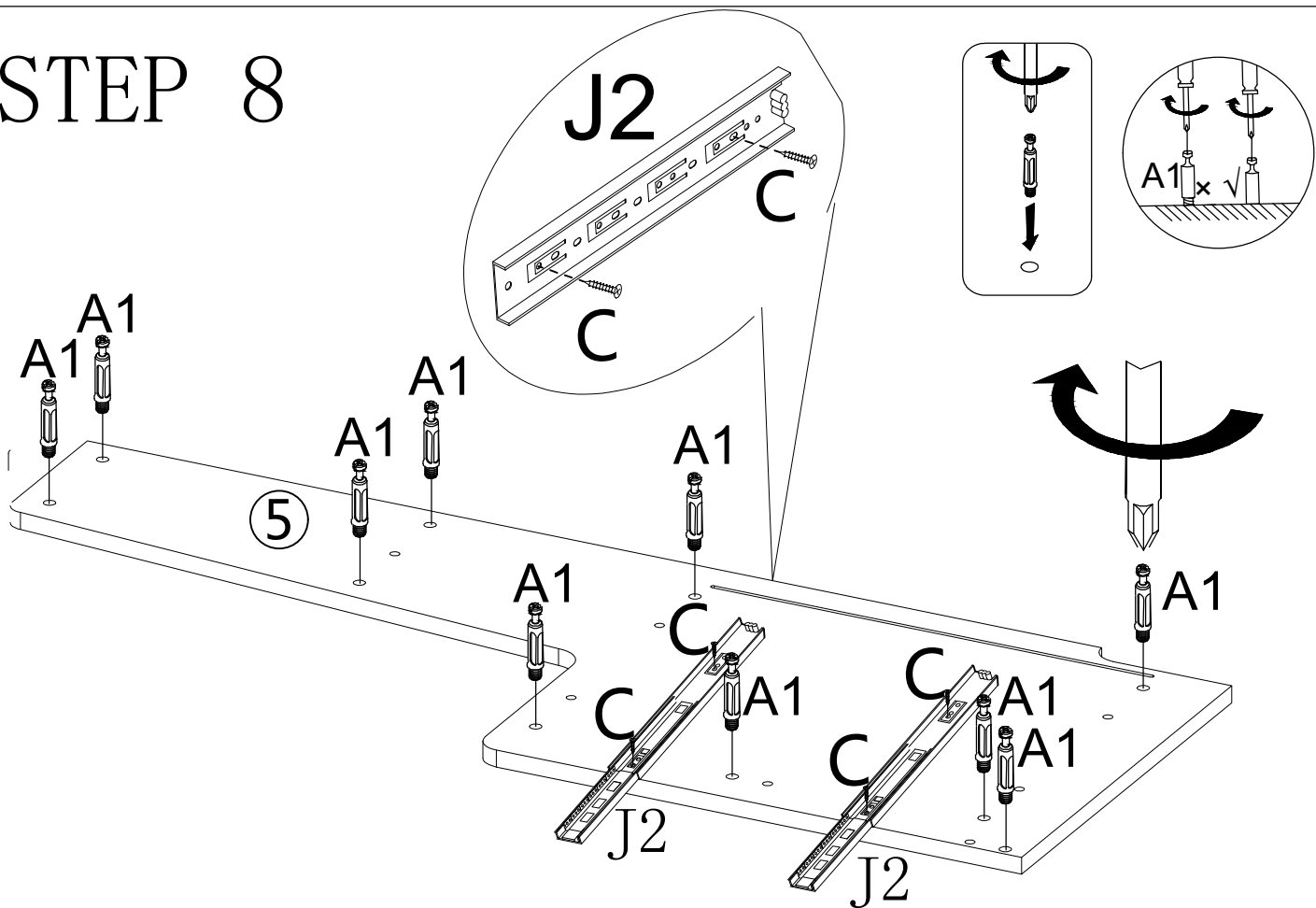





	A2 × 2PCS
	B × 2PCS

STEP 7

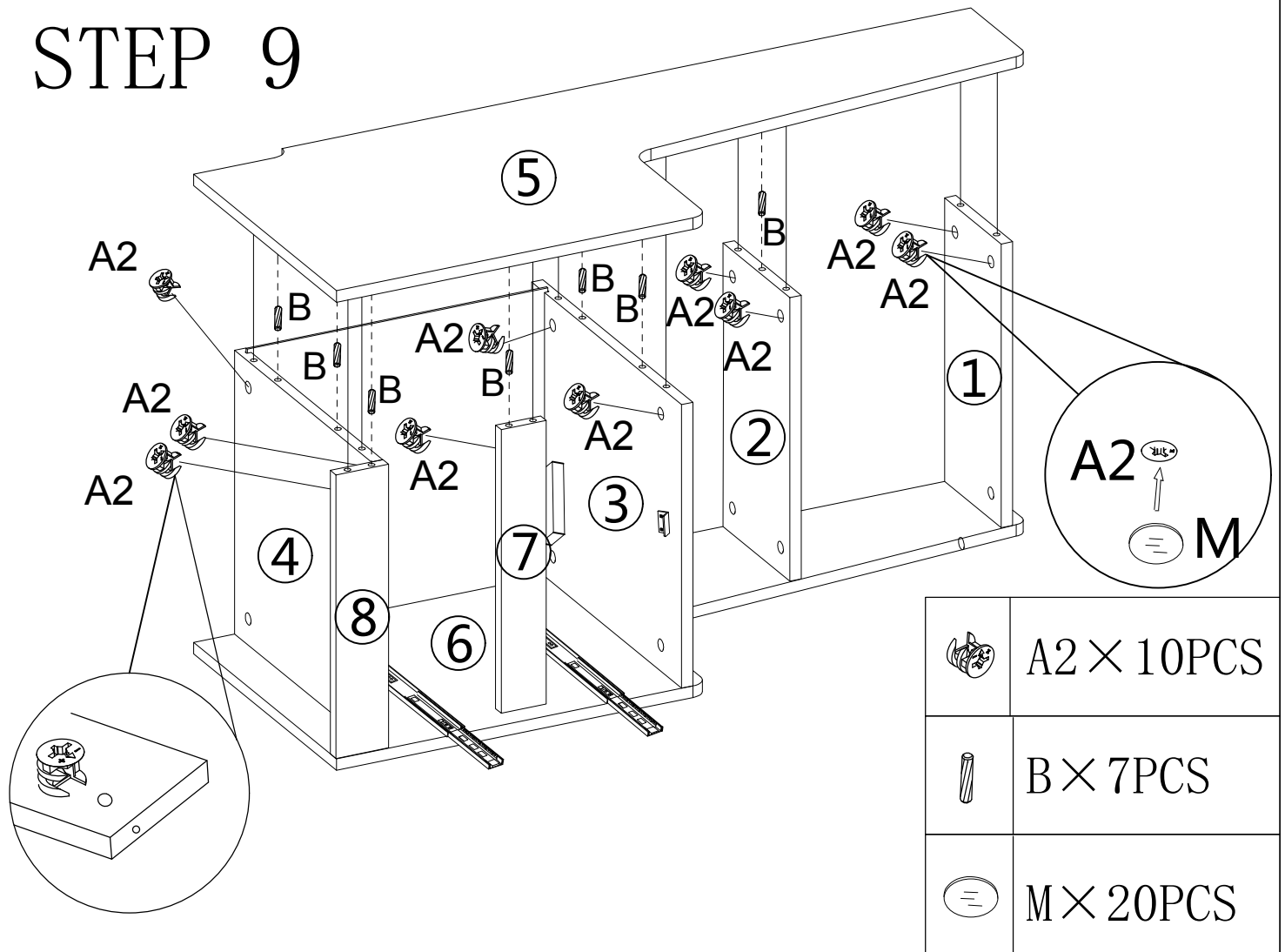


STEP 8

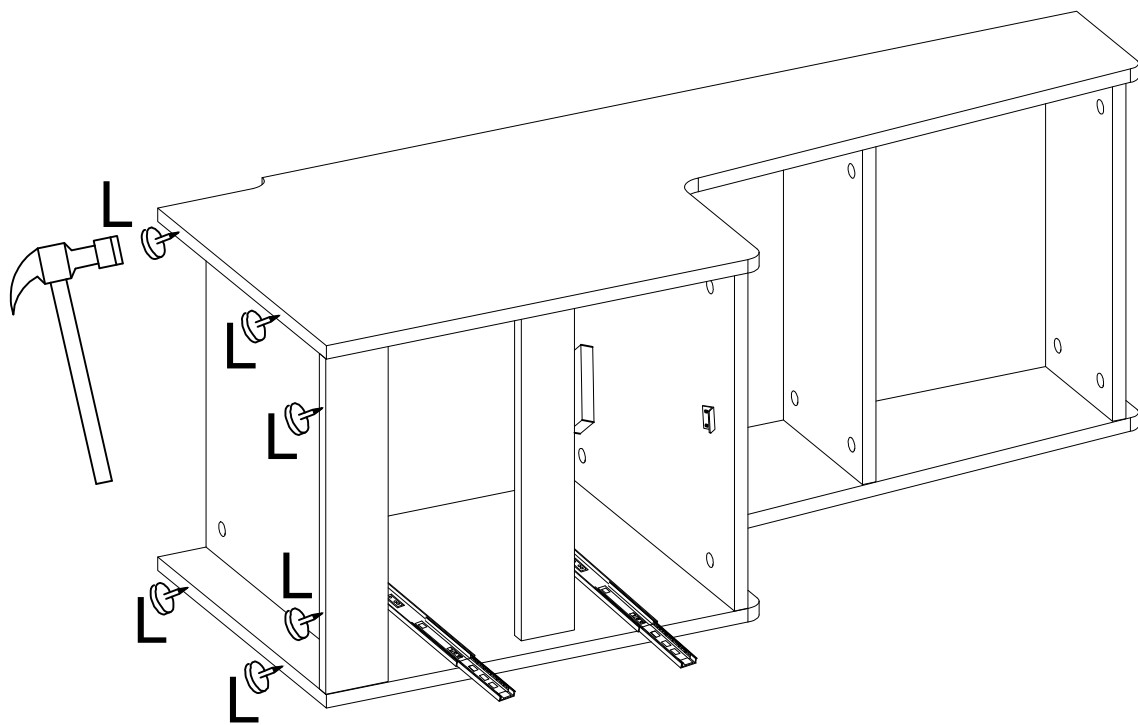



	A1 × 10PCS		C × 4PCS		J2 × 2PCS
---	------------	---	----------	---	-----------

STEP 9



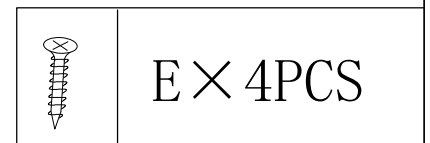
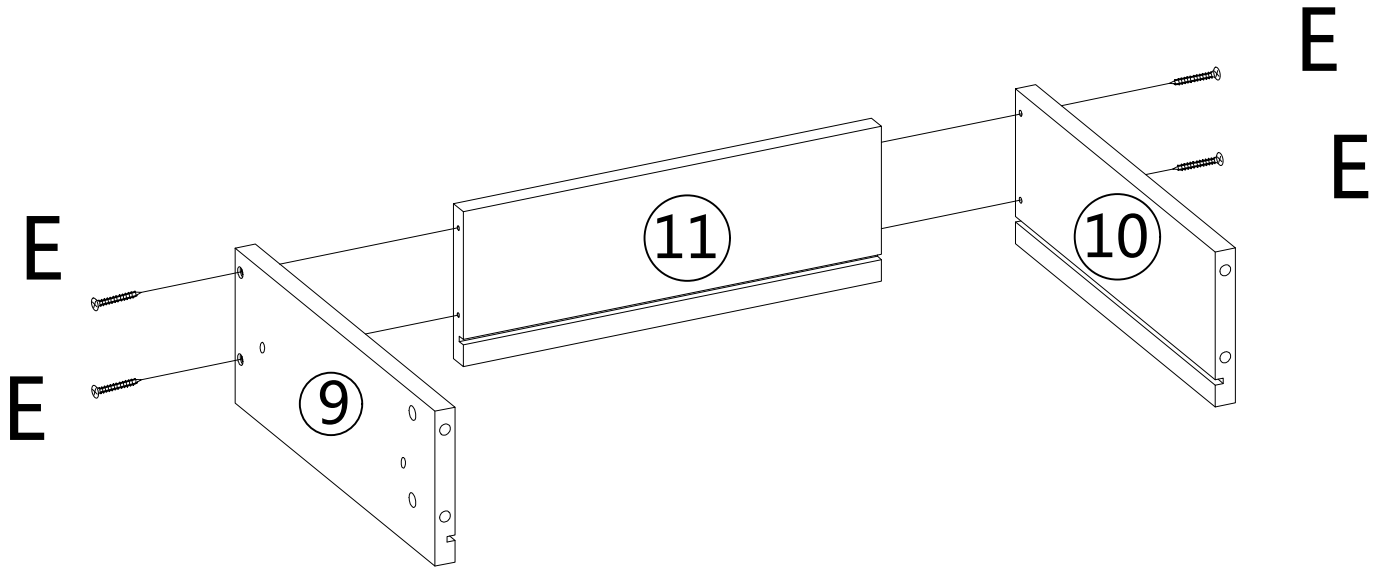
STEP 10



	L × 6PCS
---	----------

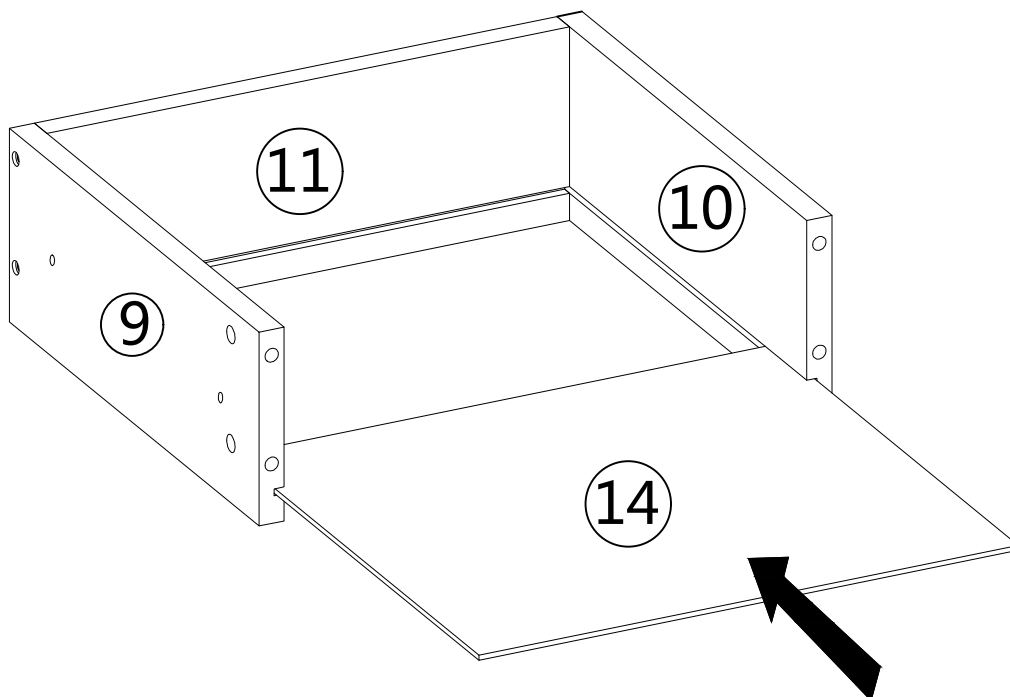
STEP 11

X2

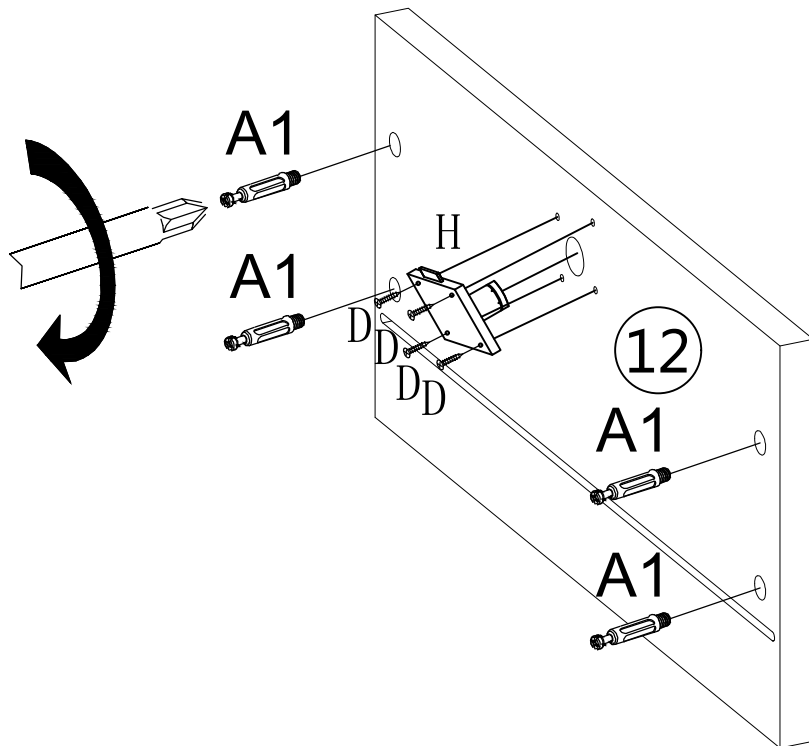




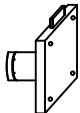
STEP 12

X2

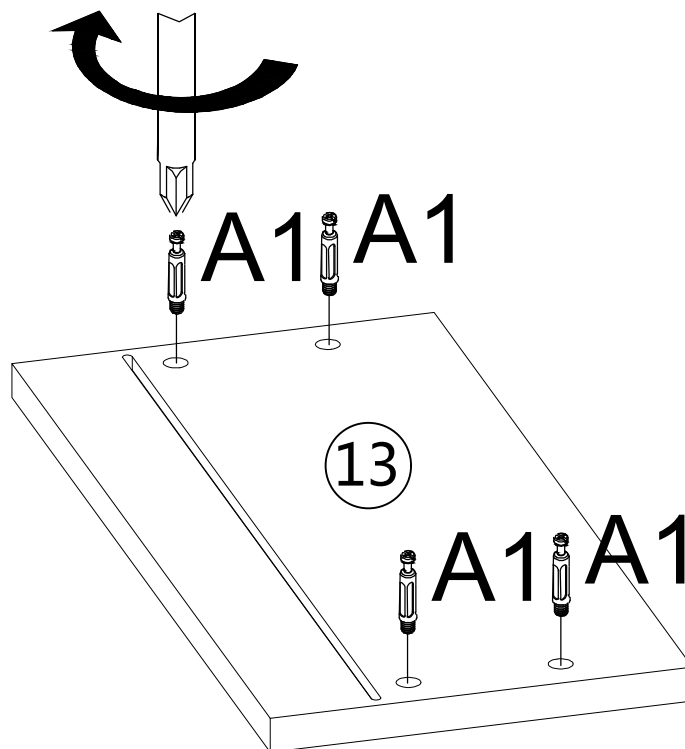



STEP 13



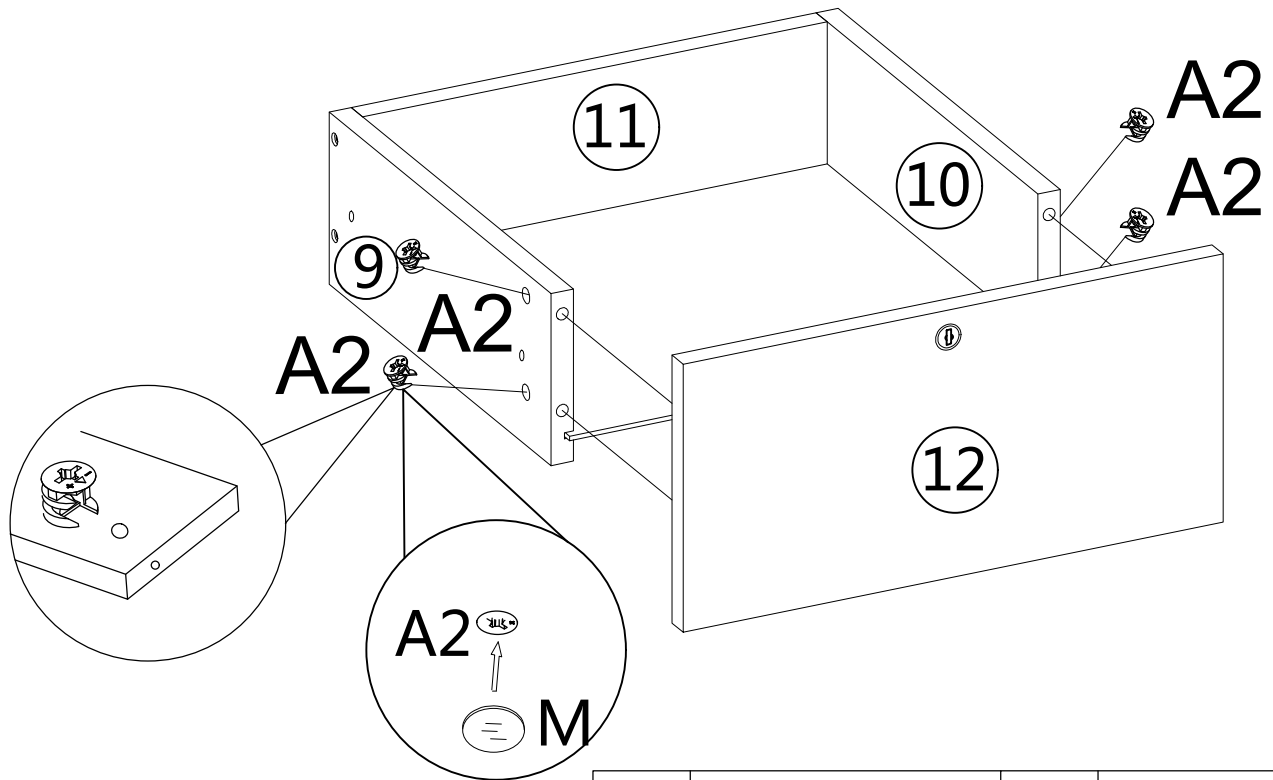
	A1 × 4PCS		D × 4PCS		H × 1PC
---	-----------	---	----------	--	---------



STEP 14



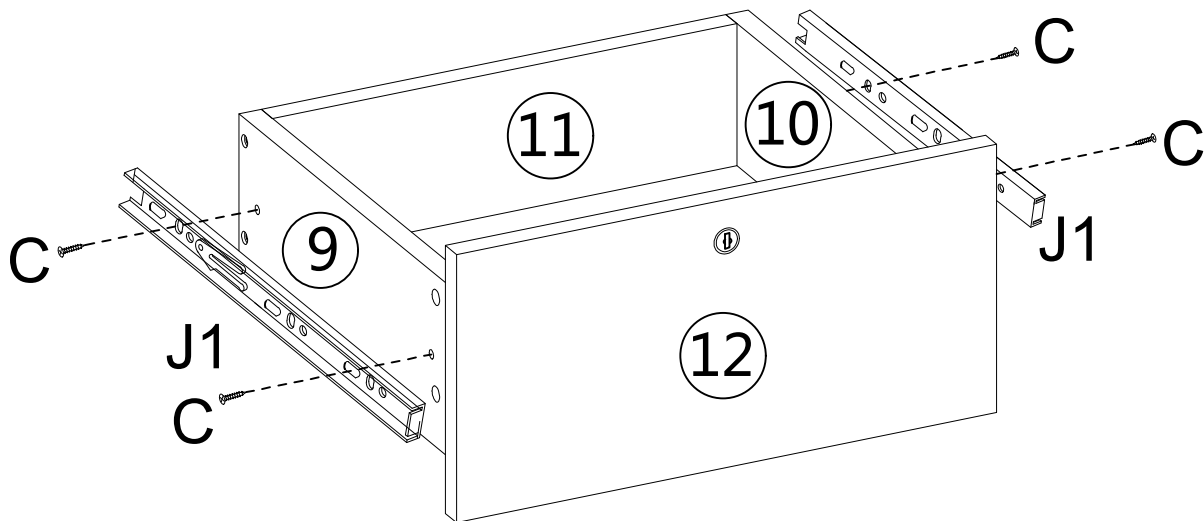
	A1 × 4PCS
---	-----------



STEP 15



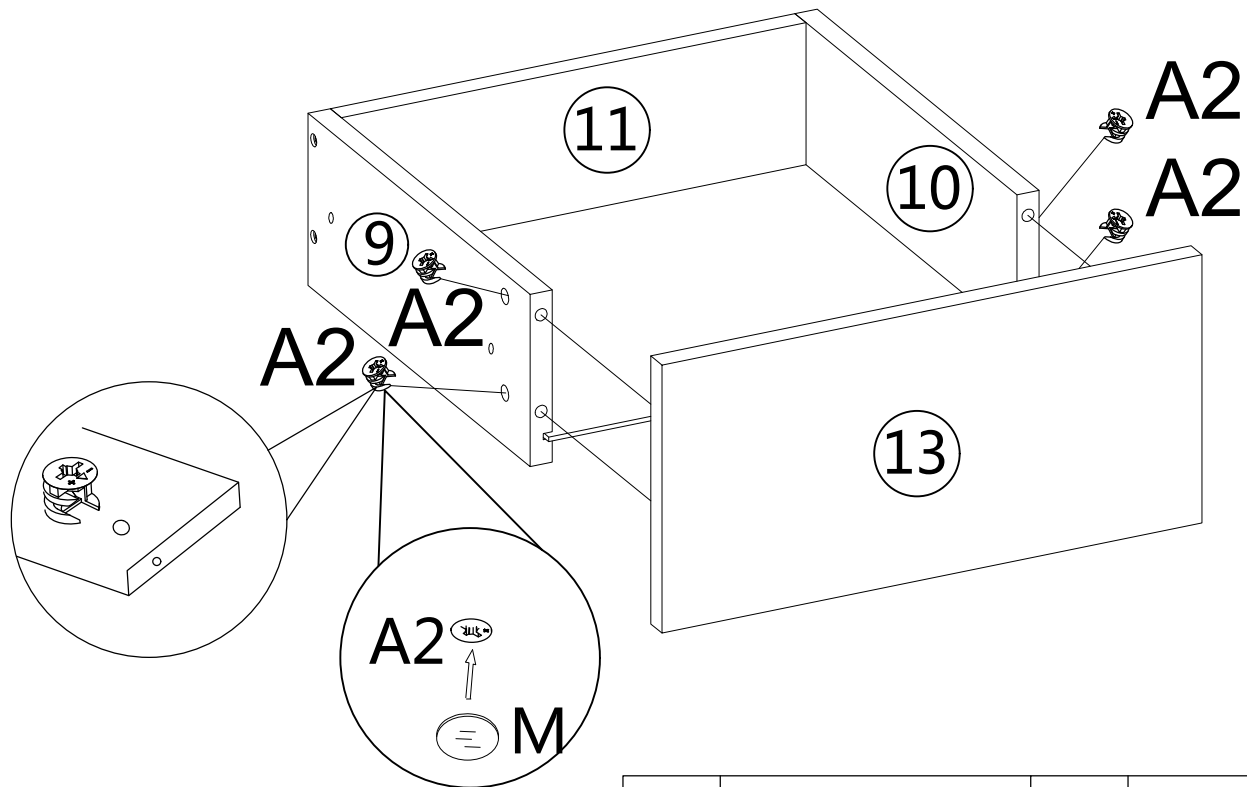
	A2 × 4PCS		M × 4PCS
---	-----------	---	----------



STEP 16



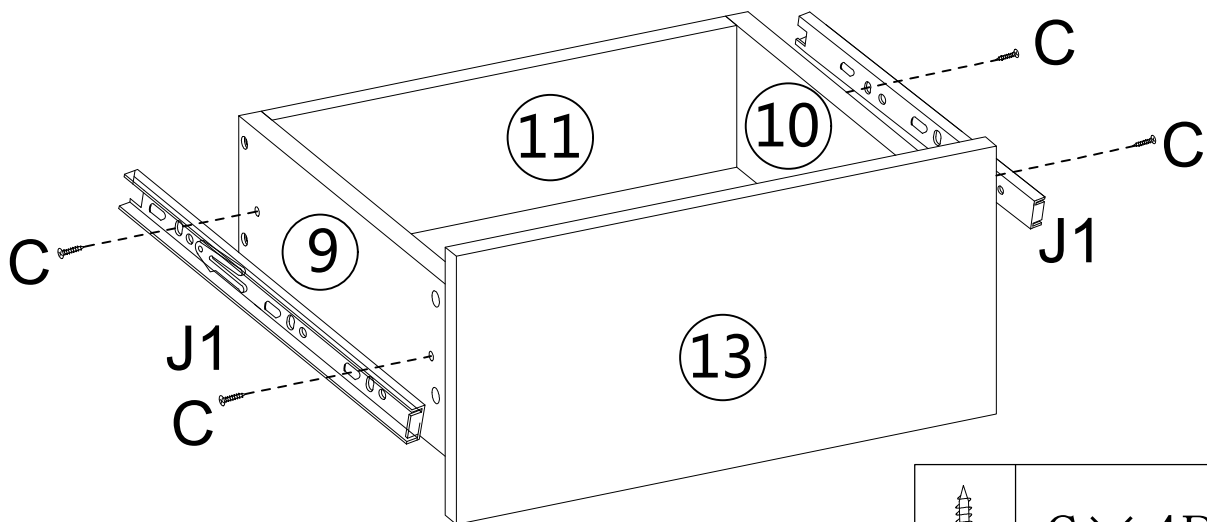
	C × 4PCS
	J1 × 2PCS



STEP 17



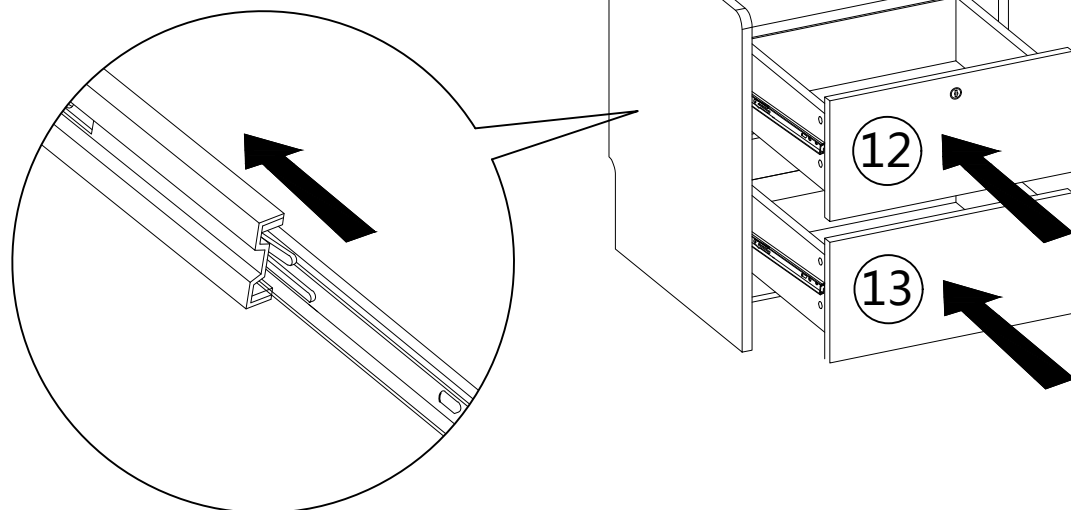
	A2 × 4PCS		M × 4PCS
---	-----------	---	----------

STEP 18

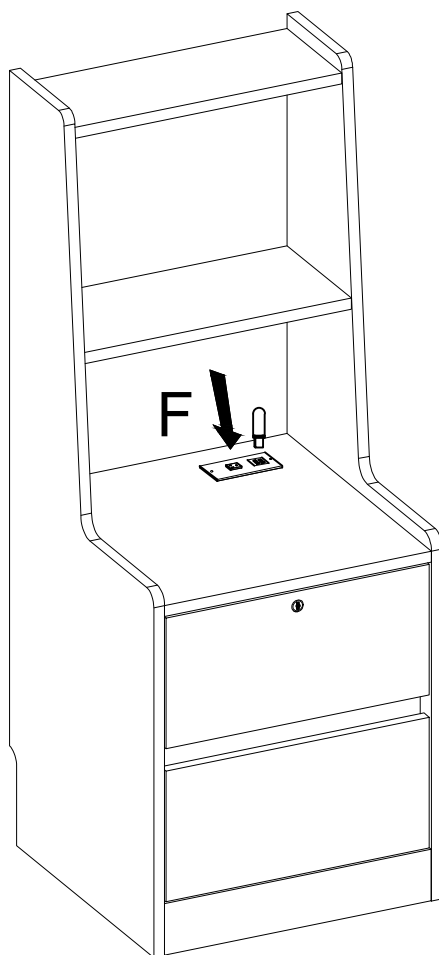


	C × 4PCS
	J1 × 2PCS

STEP 19

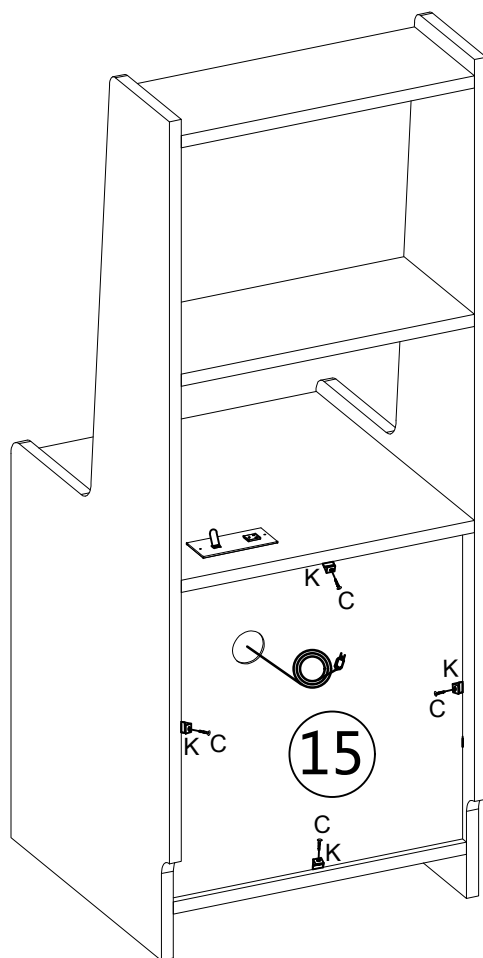




STEP 20



F × 1PC

STEP 21



	C × 4PCS
	K × 4PCS

END

