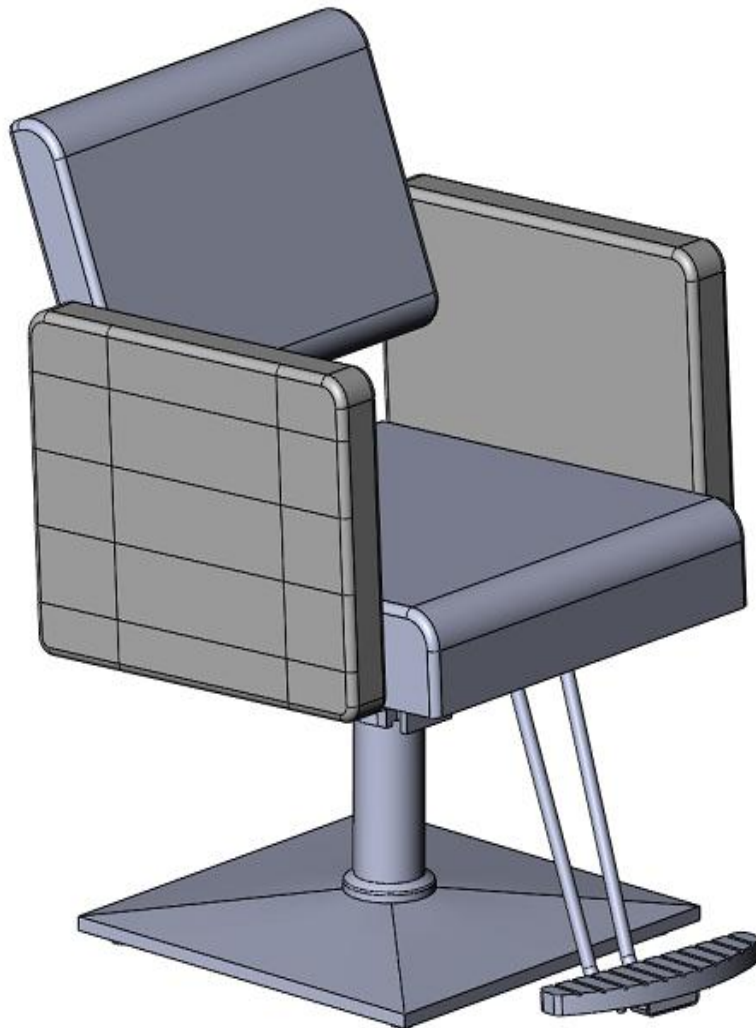


PRODUCT MANUAL



ATTENTION! PLEASE READ THESE INSTRUCTIONS BEFORE USING THIS DEVICE

PRODUCT MANUAL



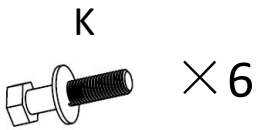
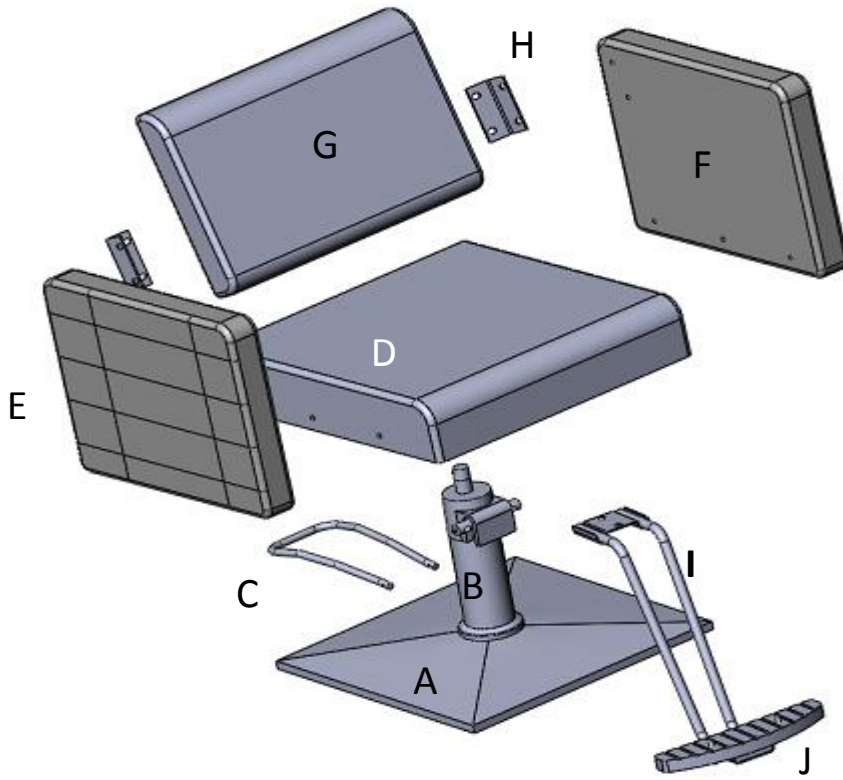
SAFETY



To reduce risk of injury when assembling & using the chair, follow these precautions:

- Read all of these instructions before assembling and using your salon chair.
- It is helpful to have 2 people assemble and turn the chair upright after assembling.
- Do not over-extend the chair(0~150kg), creating the risk of falls or tipping the chair, and its occupant over, resulting in injury

PARTS & FEATURES



| Part code | Part Name | Number | Part code | Part Name | Number |
|-----------|----------------|--------|-----------|--------------------|--------|
| A | Base | 1 | B | Pump | 1 |
| C | Foot bar | 1 | D | Seat | 1 |
| E | Right handrest | 1 | F | Left handrest | 1 |
| G | Backrest | 1 | H | Backrest connector | 2 |
| I | Leg support | 1 | J | Foot rest | 1 |
| K | Screws | 6 | | | |

INSTALLATION INSTRUCTION

First: Installation hydraulic pump to the base

Parts needed: Base + pump
+ foot bar

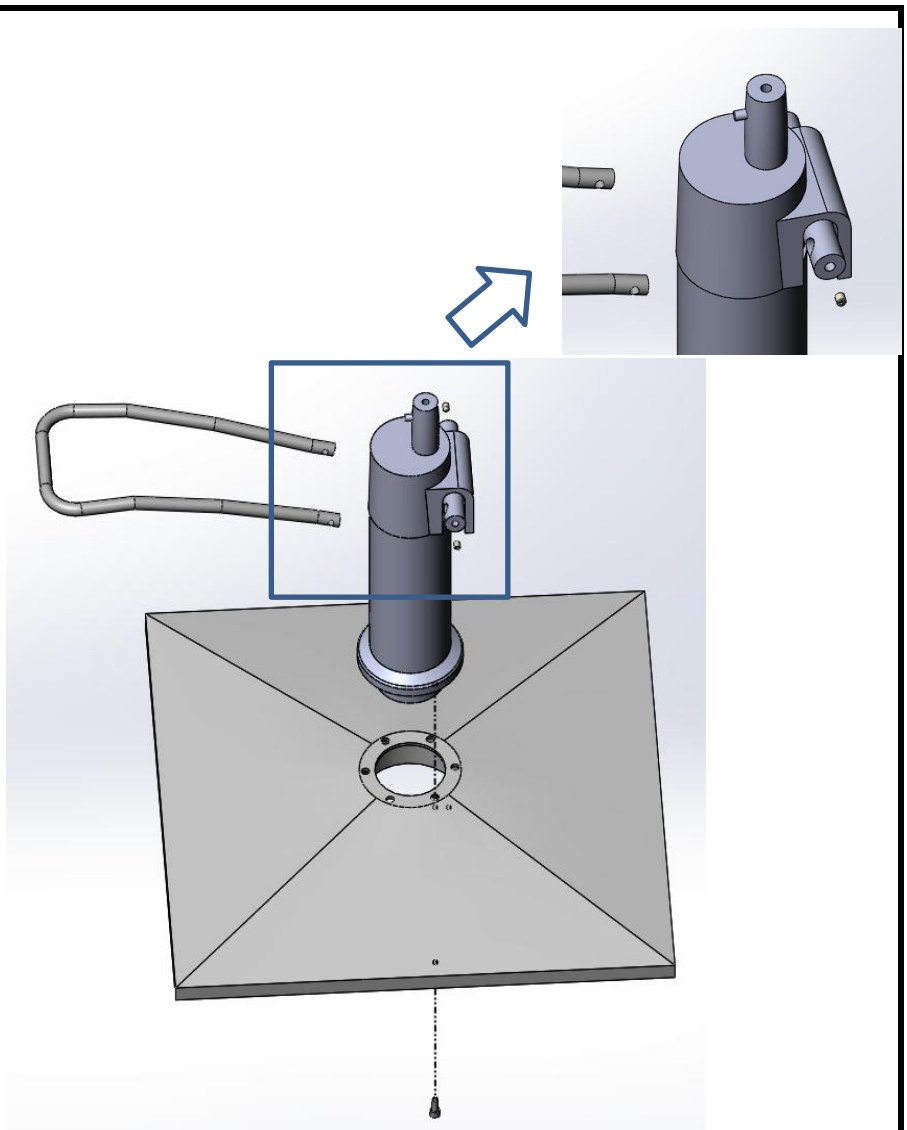
Step 1: Install pump to Base
with 6 fixing bolts .

Step 2: Place assembled
Base & Pump on floor. Use
Allen Wrench to loosen the
screws
in the crossbar. See photo
besides.

Insert Foot Bar into the holes
of the crossbar.

(May require slightly
squeezing ends of Foot Bar
towards each other, and
some maneuvering for the
bar ends to go into place.)

Step 3. Tighten the set
screws to firmly hold the Foot
Bar in place.



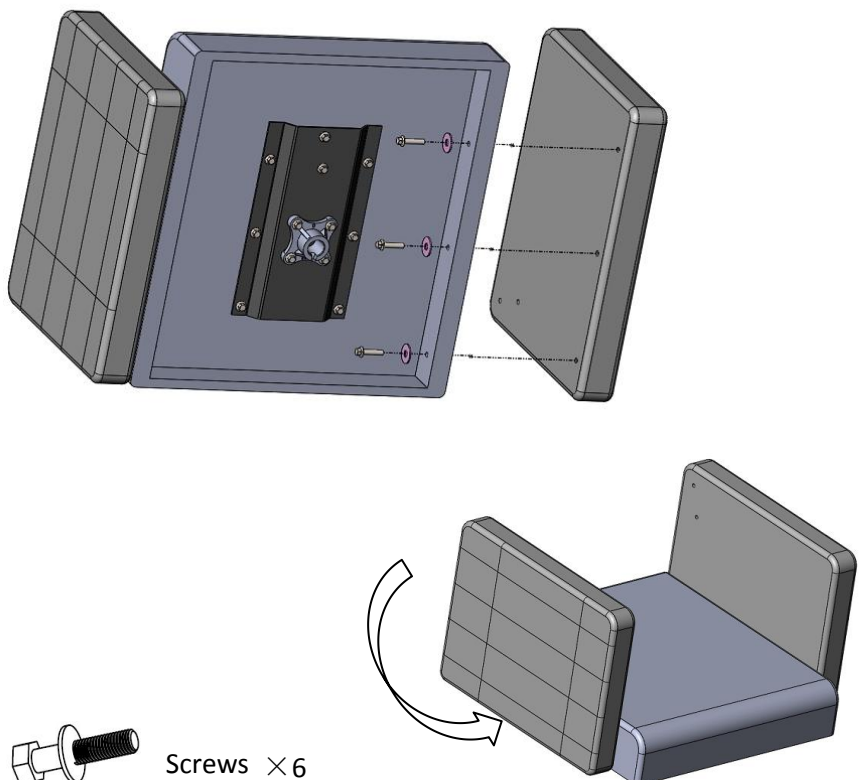
Second : Install handrests to the seat

Parts needed: right handrest
+ left handrest + seat

Step 1 . Remove the 6
Screws which Pre-fixed on
the handrests

Step 2 . Install handrests to
the seat with the 6 screws.

Please follow up the diagram
beside



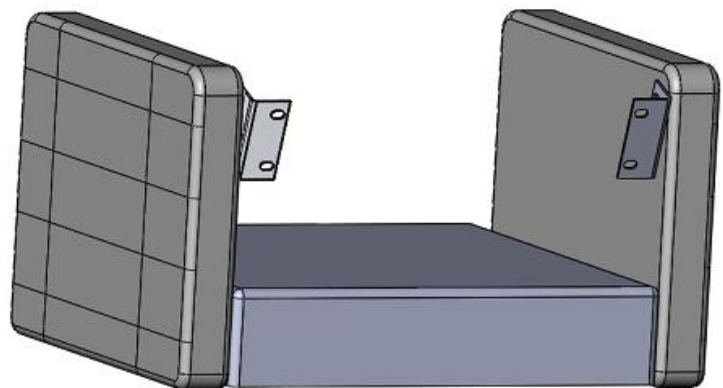
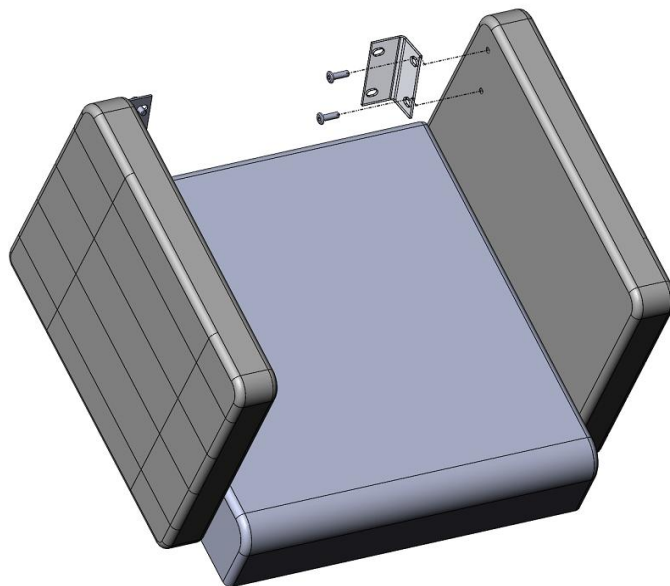
Third : Install backrest connectors to the handrests

Parts needed: 2 backrest connectors + installed seat & handrests

Step 1 : Remove 4 bolts which pre-fixed on the handrests.

Step 2 : Install 2 backrest connectors to the handrests with the 4 removed bolts.

Please follow up the diagram beside



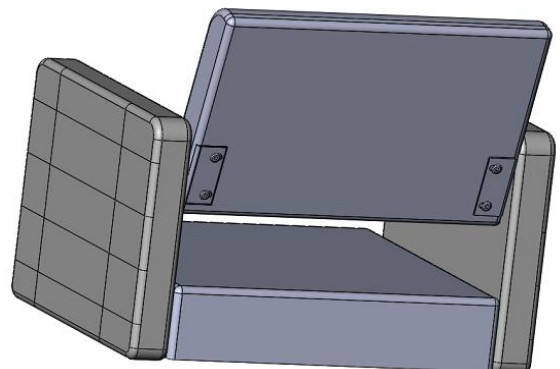
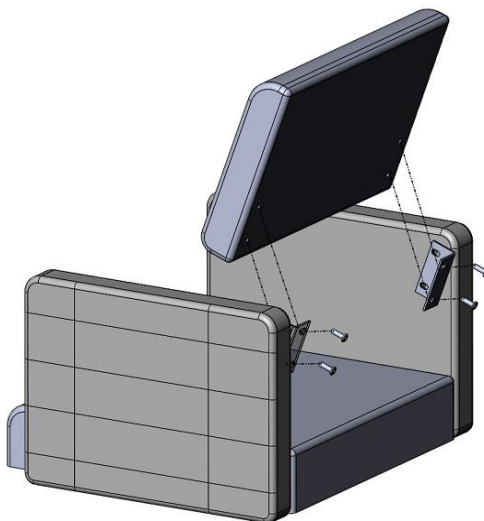
Fourth : Install backrest to the seat

Parts needed : Installed seat & backrest connectors + backrest

Step 1. Remove the 4 bolts which Pre-fixed on the backrest.

Step 2 . Install backrest on the backrest connectors by 4 removed bolts and tighten them.

Please follow up the diagram beside.

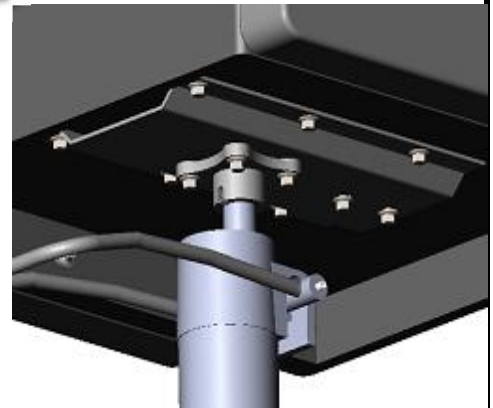
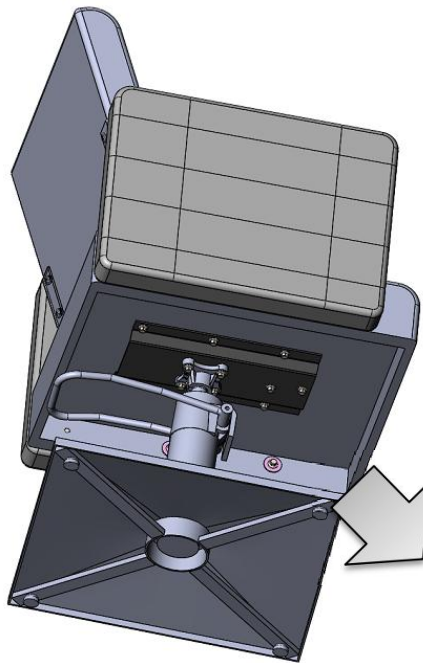


Fifth : Install the installed seat to the installed base&pupm

Parts needed : Installed seat + installed base&pupm

Step 1: Place the installed seat onto the hydraulic pump (please note the pin on the pump toward the gap of the pump joint)

Please follow up the diagram beside.



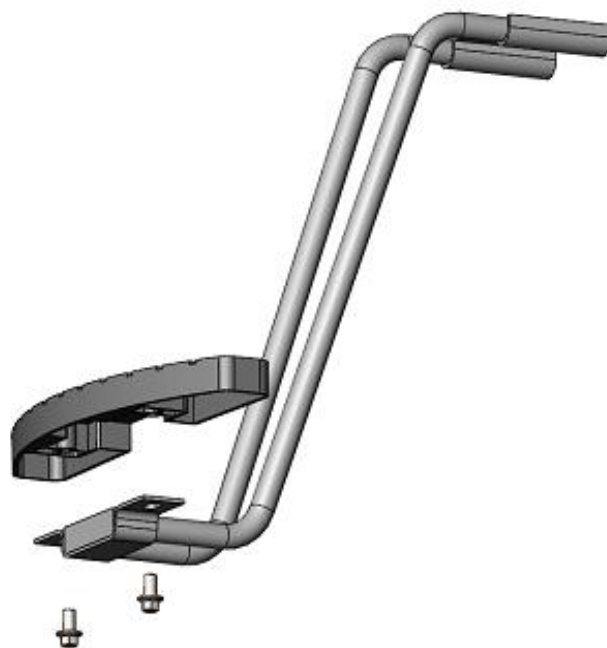
Sixth : Install footrest to the leg support

Parts Needed: Leg support + Footrest

Step 1: Remove 2 bolts which pre-fixed in the footrest

Step 2: Install the leg support to the footrest by 2 removed bolts and tighten them.

Please follow up the diagram beside.

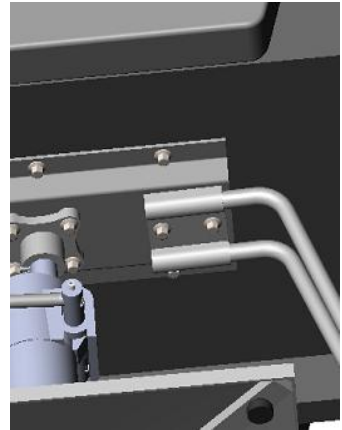
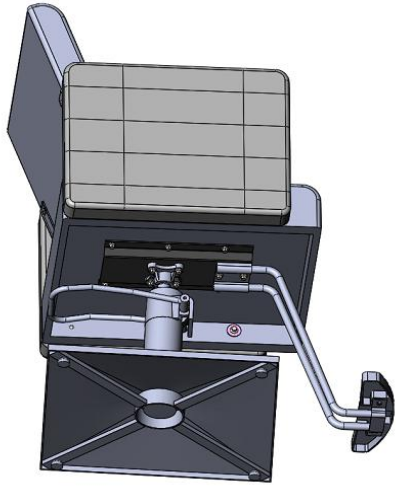


Seventh : install the installed footrest on the seat

1. Step 1 : Remove 2 bolts which pre-fixed in the seat

Step 2 : Install the installed footrest to the seat by 2 given bolts and tighten them .

Please follow up the diagram beside.



OPERATING THE CHAIR

• Step down on the Foot Bar repeatedly to raise the chair to the desired height.

• Step down and hold the Foot Bar to allow chair to lower.

• Hold the Foot Bar up to keep the chair still .

• Do not over-extend the chair, creating the risk of falls or tipping the chair and its occupant over, resulting in injury

