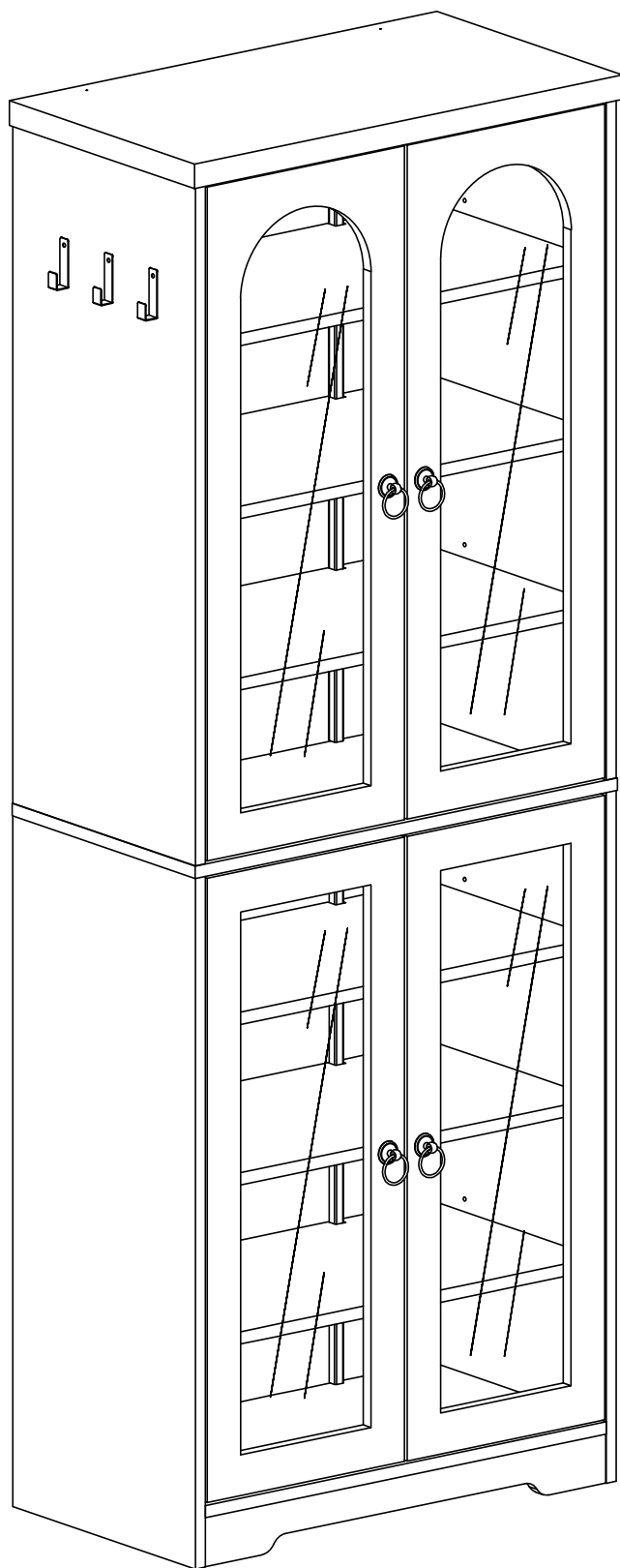
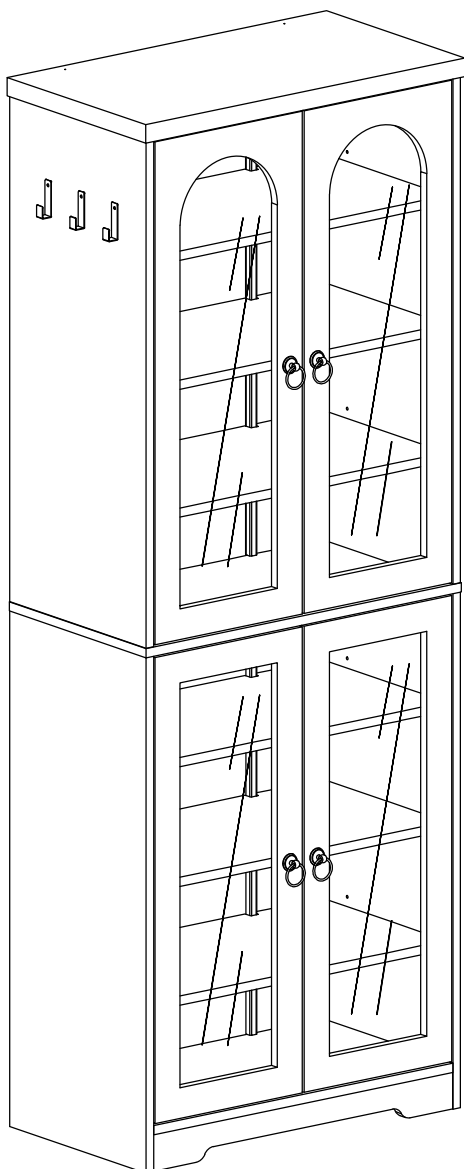


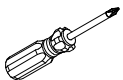
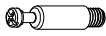




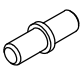








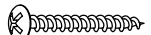
Assembly instructions

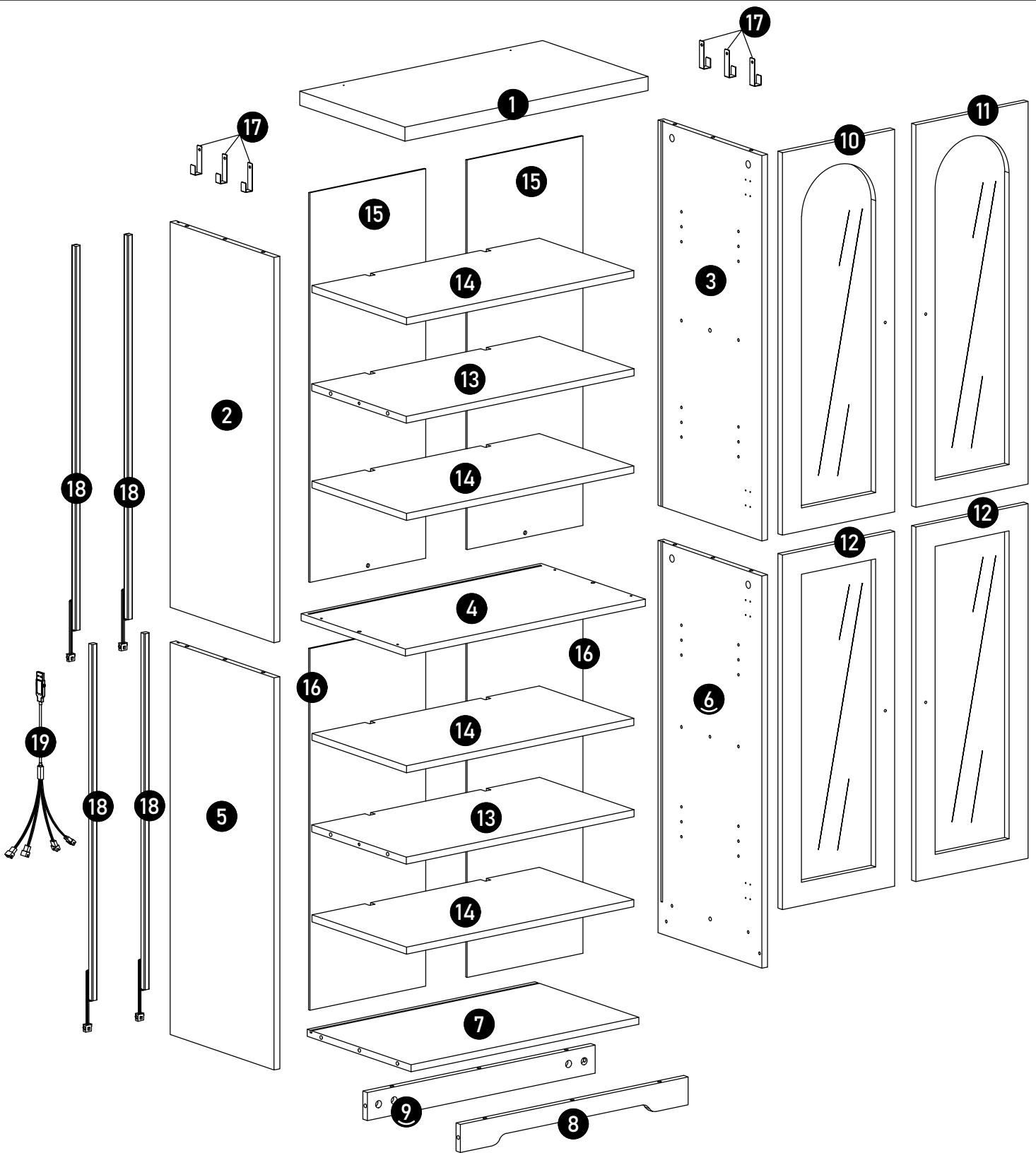


ASSEMBLY INSTRUCTION



Note: Do not use power tools on cam lock C.

A	x 1	B	x 28+1	C	x 28+1	D	x 48+2	E	x 6+1	F	x 14+1	G	x 16+1
													
				Ø15 x 10mm		Ø3 x 15mm		Ø3 x 15mm		Ø8 x 30mm			
H	x 4+1	I	x 4	J	x 4+1	K	x 4+1	L	x 8	M	x 2	N	x 2
													
Ø5 x 38mm				Ø4 x 20mm						Ø3 x 15mm			
O	x 2	P	x 2										
													
		Ø3.5 x 35mm											



1x ① Top Panel

1x ④ Middle Panel

1x ⑦ Bottom Panel

1x ⑩ Upper Left Door

2x ⑬ Fixed Shelf

2x ⑯ Upper Left Door

1x ⑲ LED light Controller

1x ② Upper Left Side Panel

1x ⑤ Lower Left Side Panel

1x ⑧ Front Apron

1x ⑪ Upper Right Door

4x ⑭ Adjustable Shelf

6x ⑰ Hook

1x ③ Upper Right Side Panel

1x ⑥ Lower Right Side Panel

1x ⑨ Back Apron

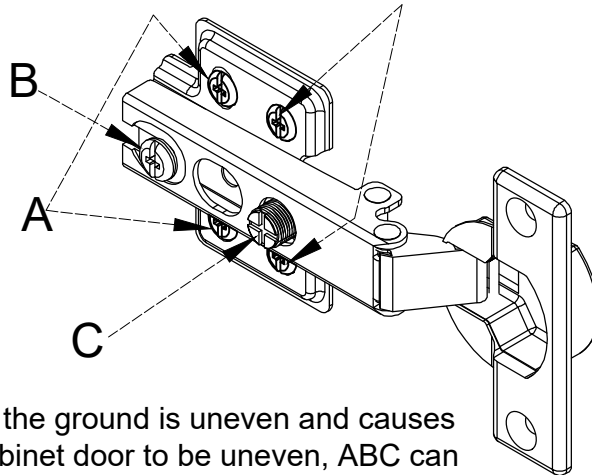
2x ⑫ Lower Door

2x ⑮ Upper Back Panel

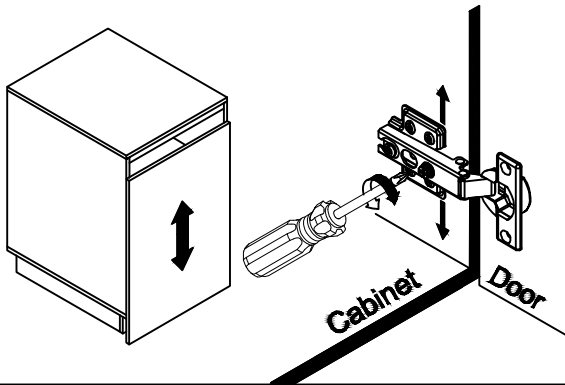
4x ⑱ LED light



Hardware installation demonstration

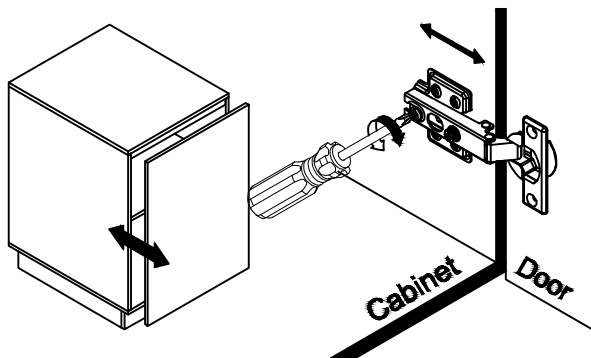


When the ground is uneven and causes the cabinet door to be uneven, ABC can be adjusted approp.



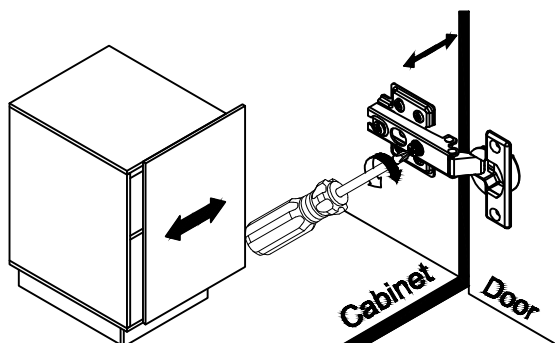
To adjust the vertical height.

Loosen the four screws "A" on both hinges. Two of them are usually in slotted holes which allows you to adjust up or down by a few mm. Then tighten back up.



To adjust depth.

Loosen screw "B" and adjust door, if the door cannot be adjusted, please loosen screw "C", then try again. Tighten screw "B" and "C"

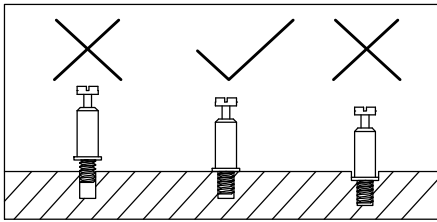
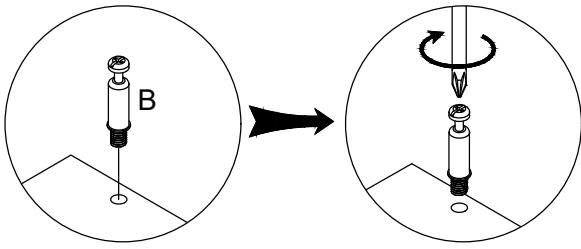


To adjust side ways.

Turning the screw "C" on BOTH hinges on each door.

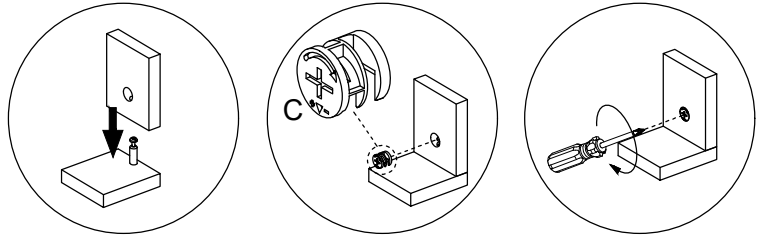
Hardware installation demonstration

- Please make sure "B" hardware tightened and can't be pulled out.

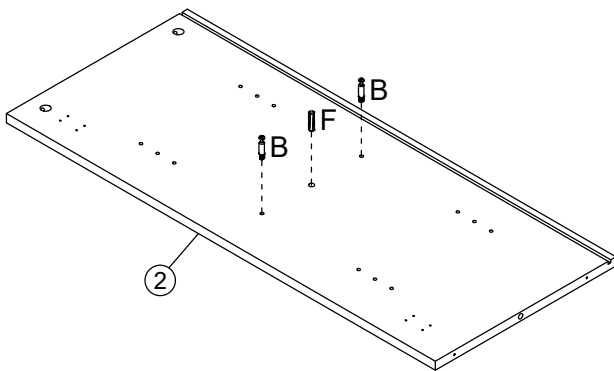


STEP 1

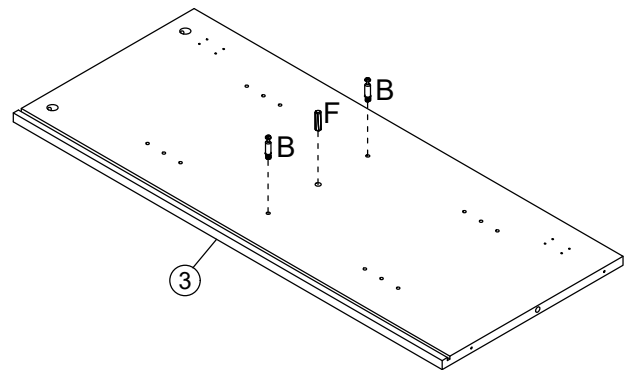
- When inserting cam "C" ensure arrowhead on cam points toward to the hole on the panel edge.



STEP 2

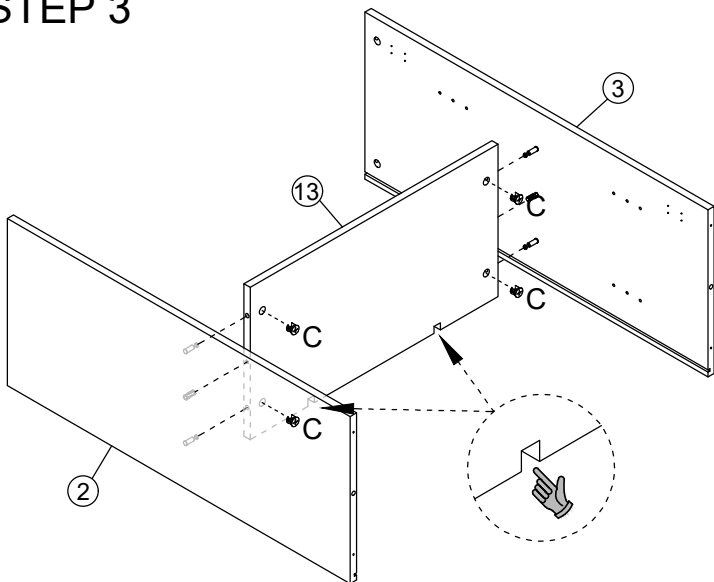


B x 2PCS F x 1PC



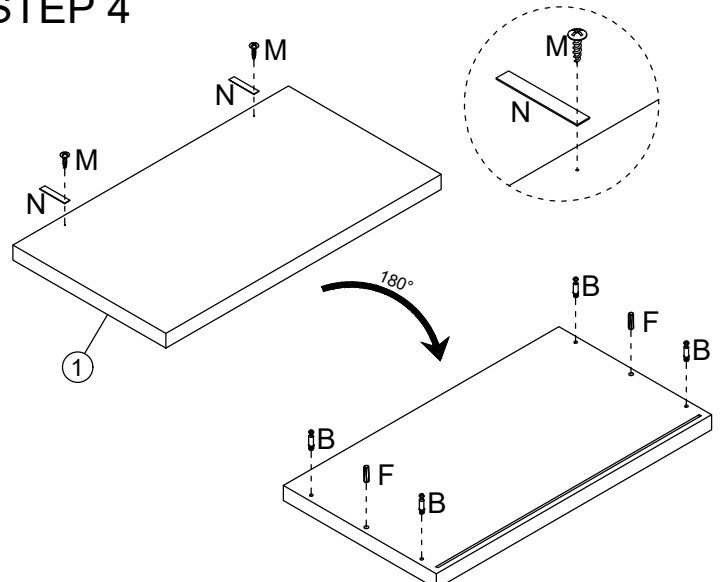
B x 2PCS F x 1PC

STEP 3



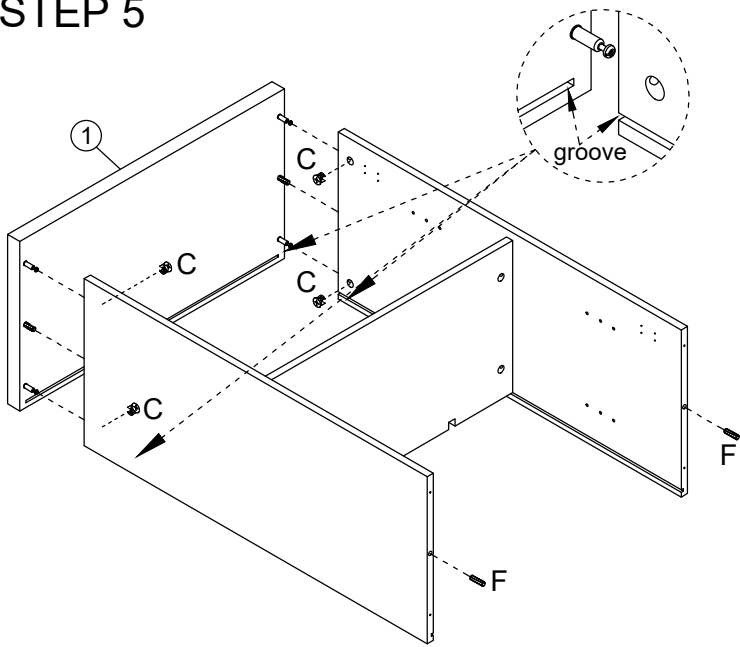
C x 4PCS

STEP 4



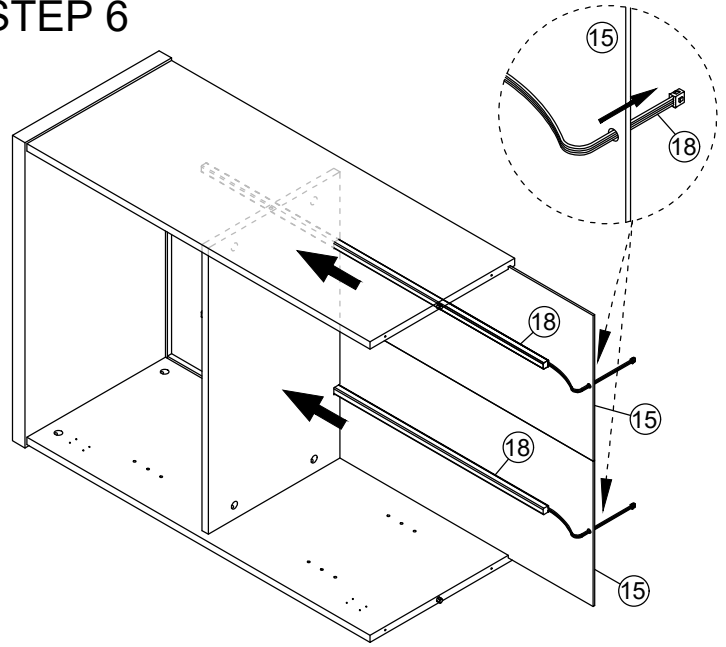
M x 2PCS N x 2PCS B x 4PCS F x 2PCS

STEP 5

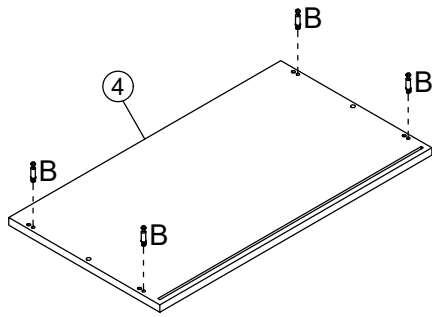


C x 4PCS | F x 2PCS

STEP 6

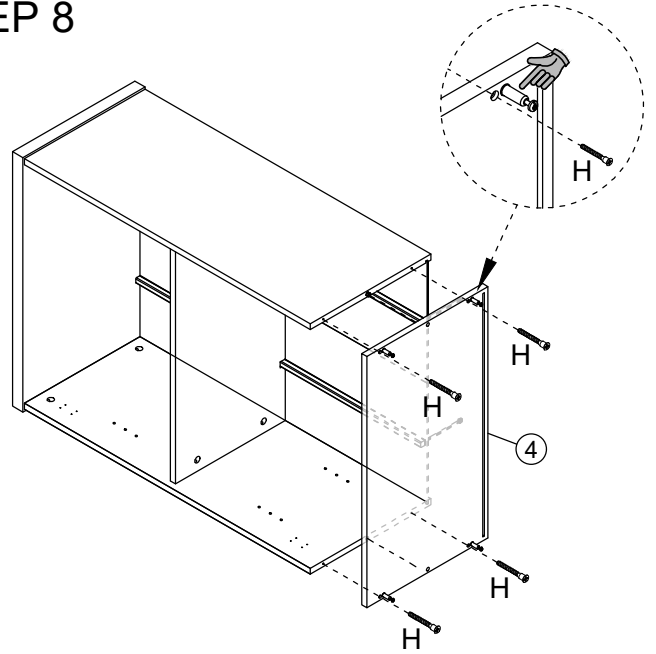


STEP 7



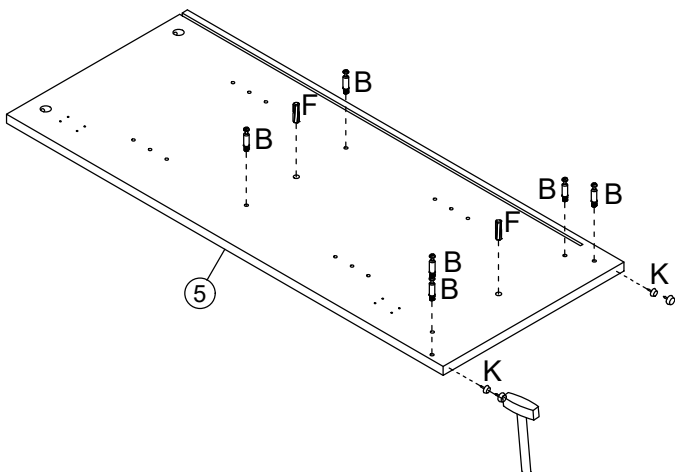
B x 4PCS

STEP 8



H x 4PCS

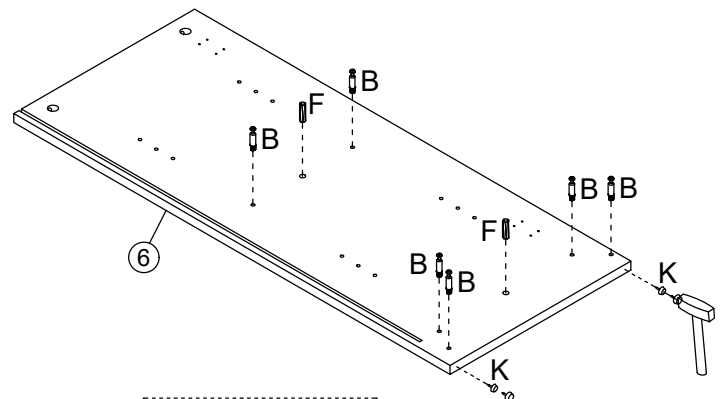
STEP 9



Note: part K has functions of waterproof and anti slip.

B x 6PCS | F x 2PCS

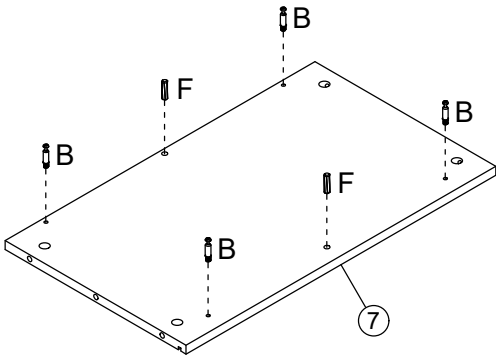
STEP 10



Note: part K has functions of waterproof and anti slip.

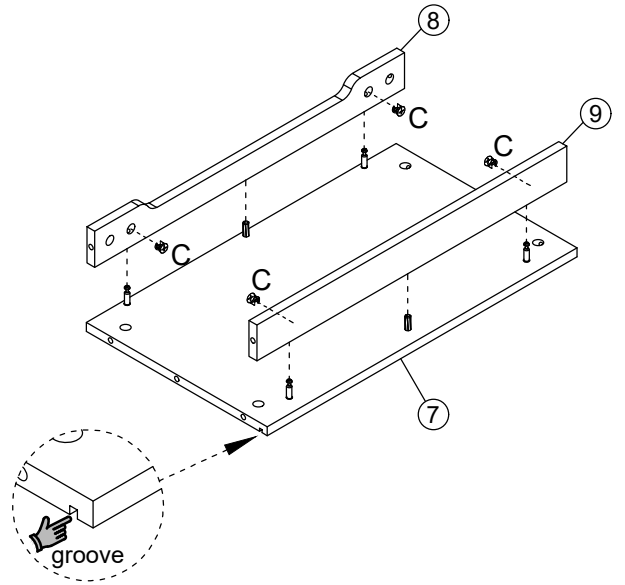
B x 6PCS | F x 2PCS

STEP 11



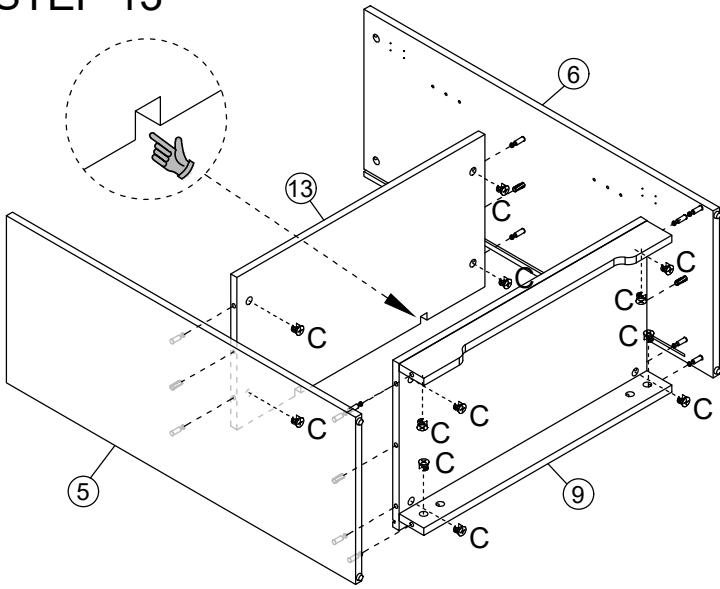
B x 4PCS | F x 2PCS

STEP 12



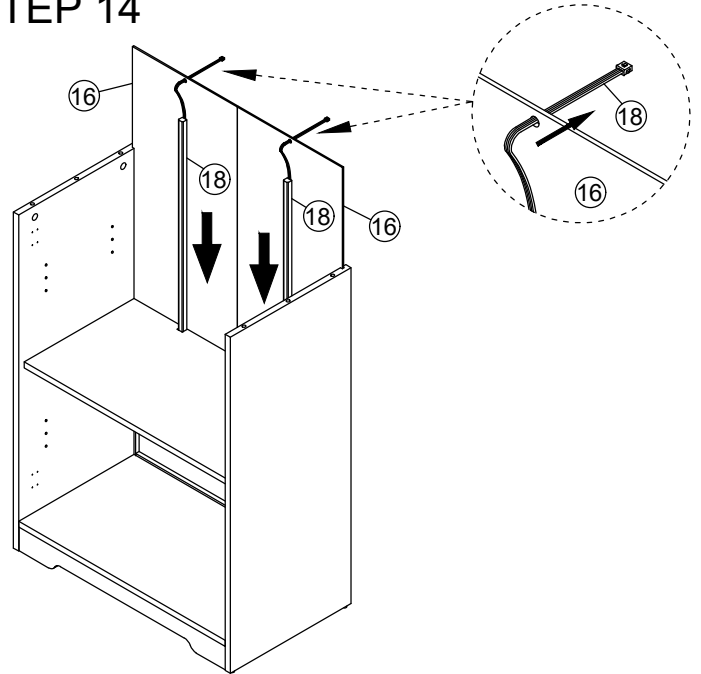
C x 4PCS

STEP 13

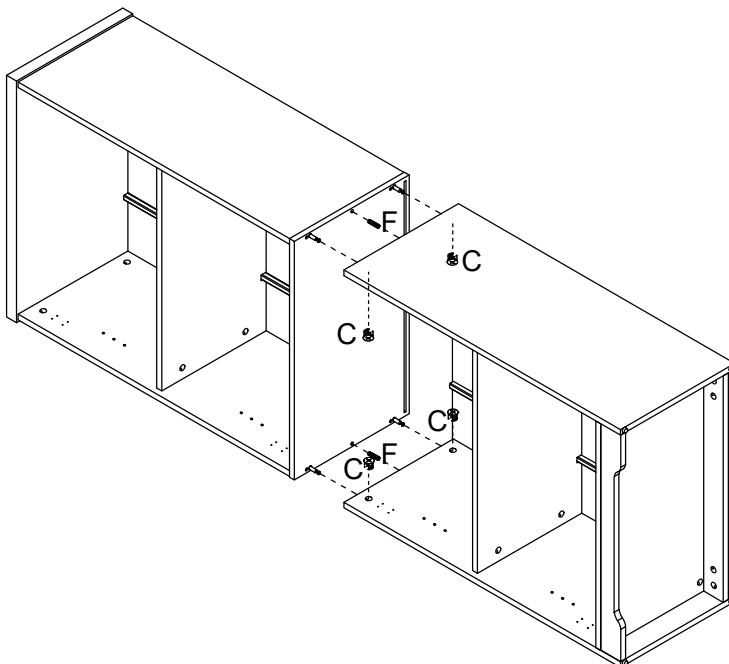


C x 12PCS

STEP 14

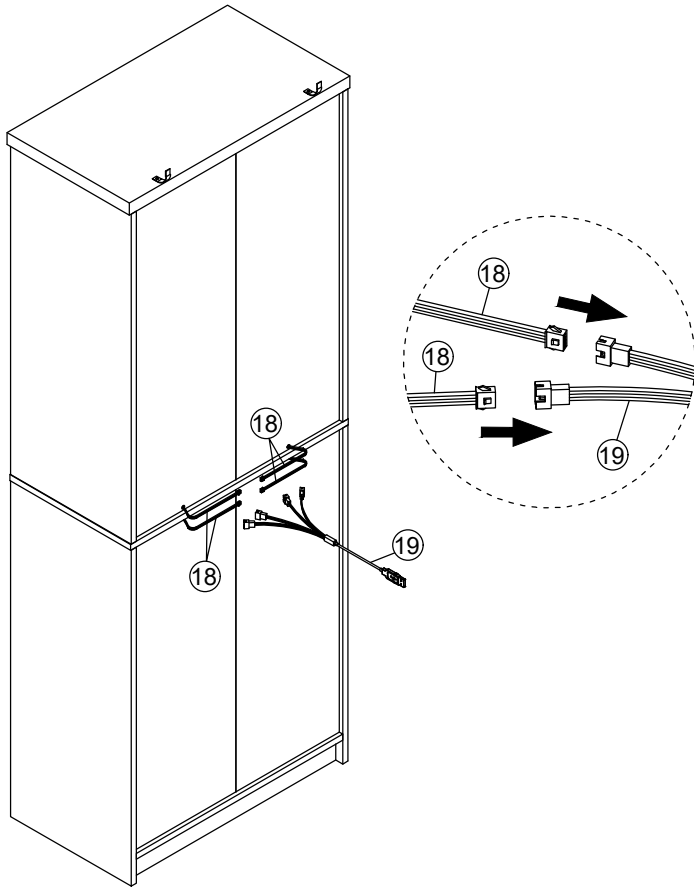


STEP 15

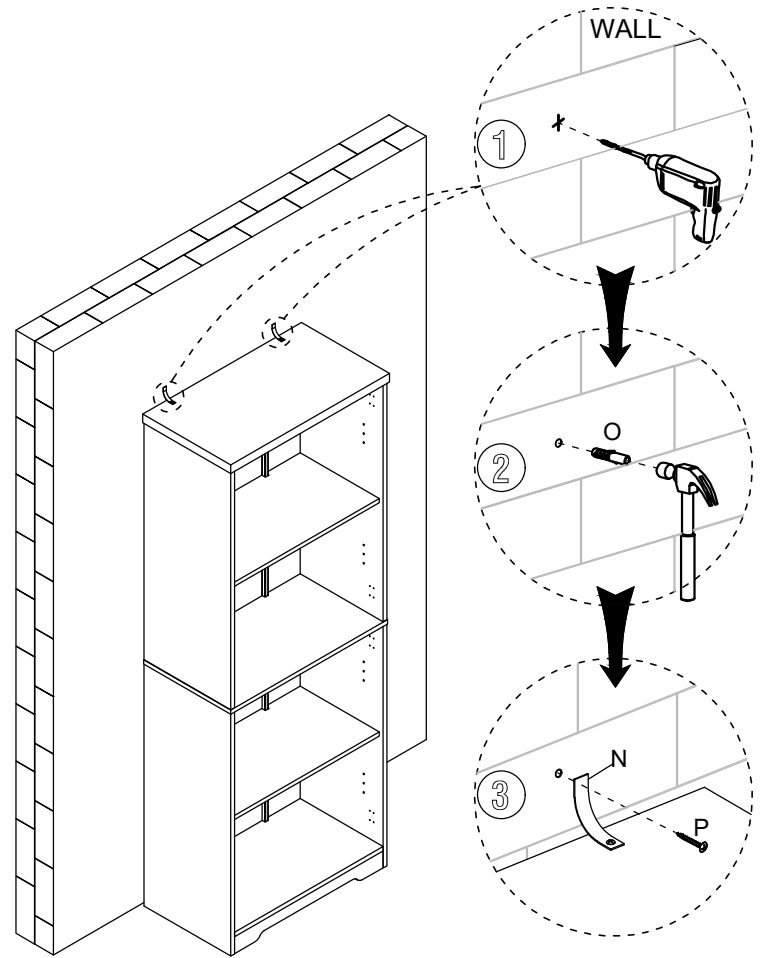


F x 2PCS | C x 4PCS

STEP 16

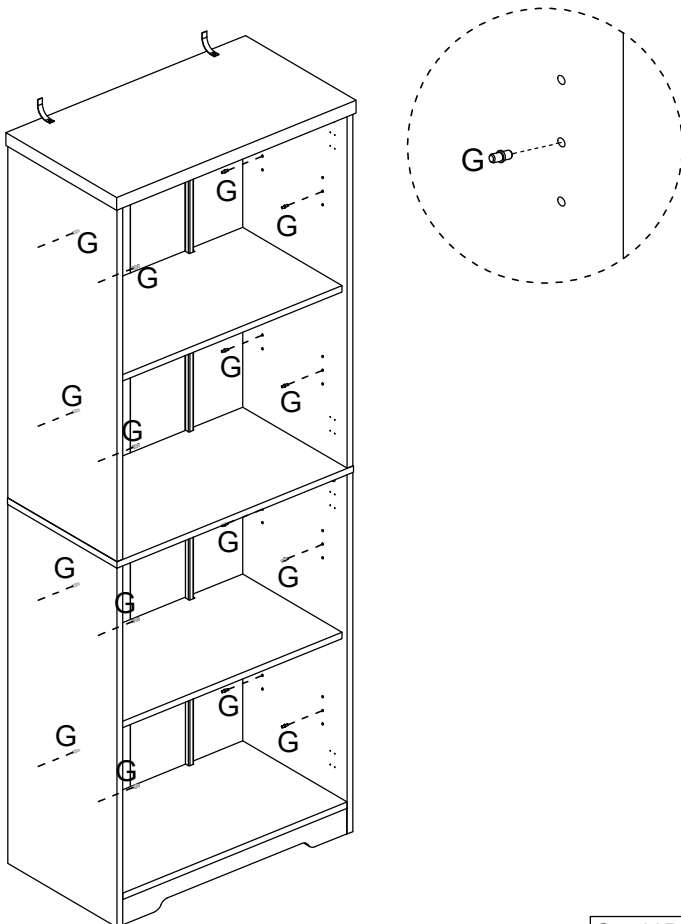


STEP 17



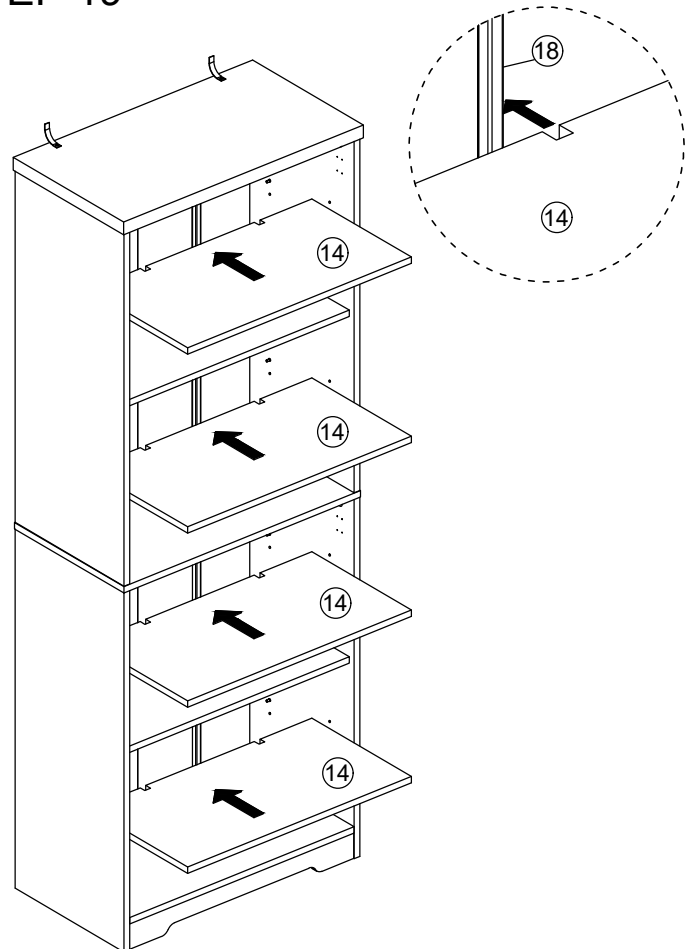
O x 2PCS | P x 2PCS

STEP 18

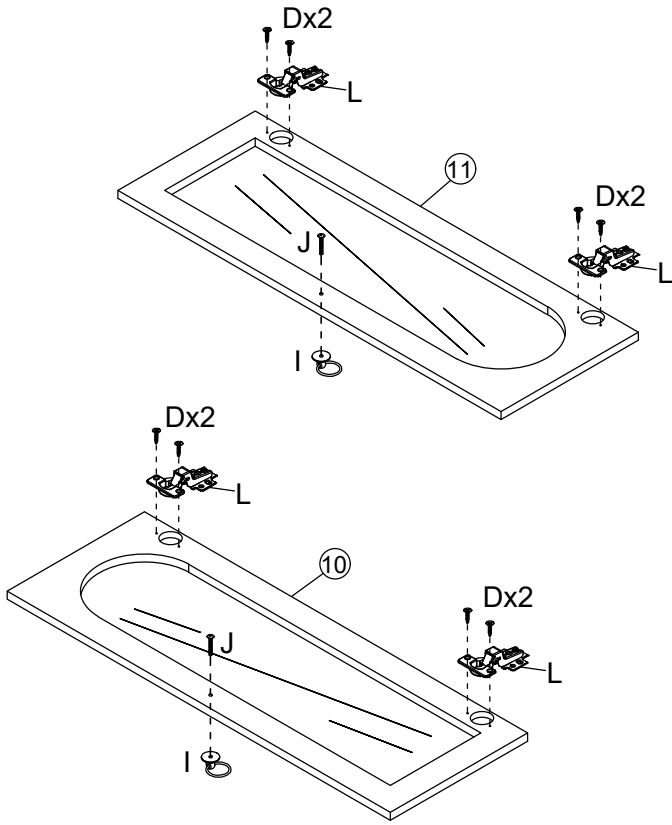


G x 16PCS

STEP 19

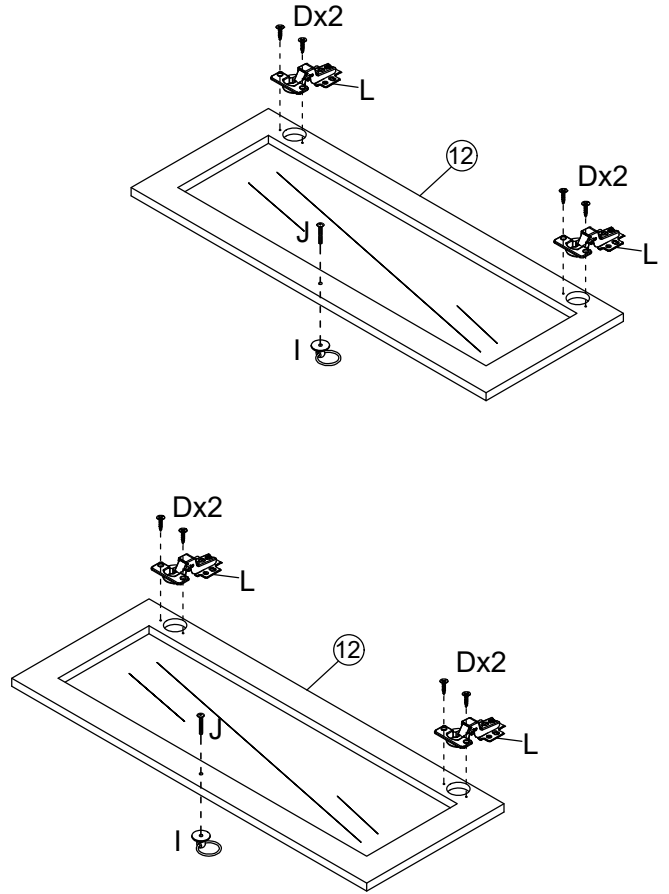


STEP 20



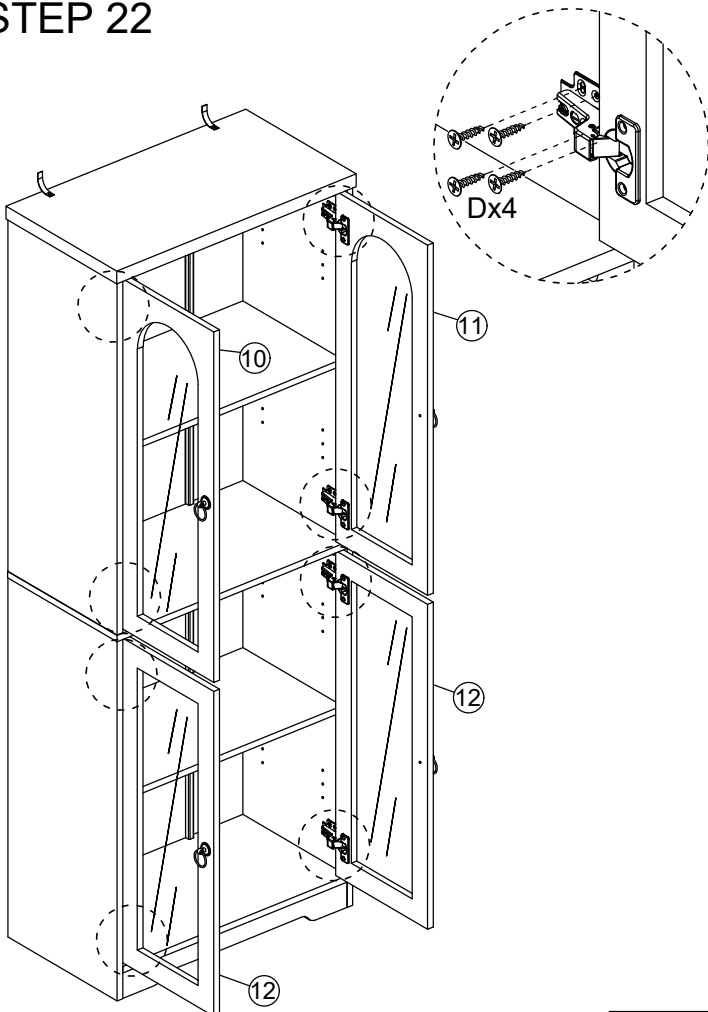
I x 2PCS | J x 2PCS | L x 4PCS | D x 8PCS

STEP 21



I x 2PCS | J x 2PCS | L x 4PCS | D x 8PCS

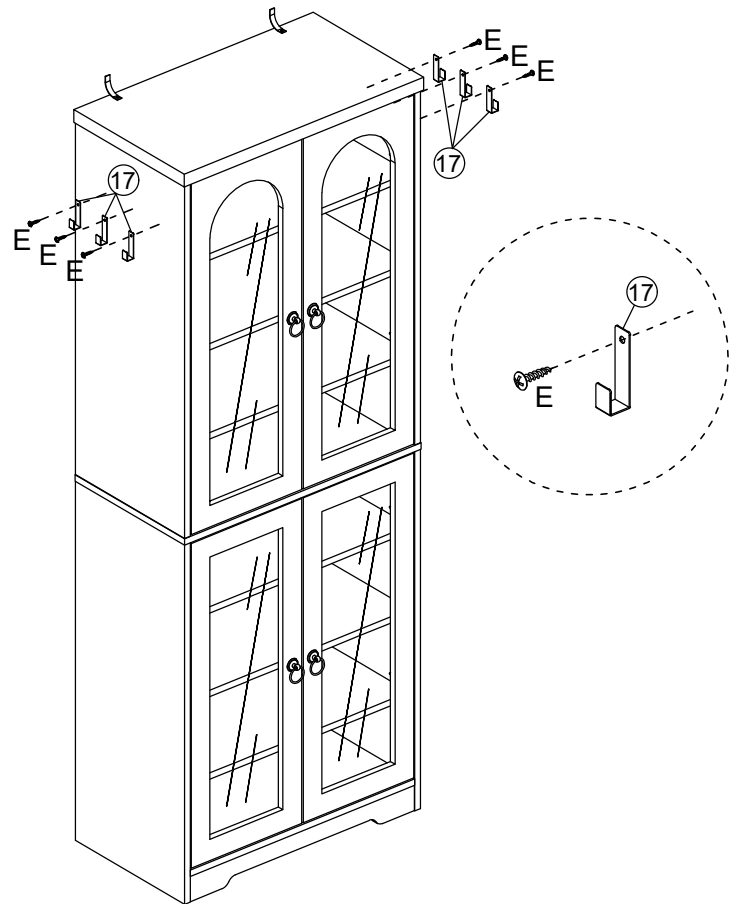
STEP 22



D x 32PCS

STEP 23

Finished.



E x 6PCS