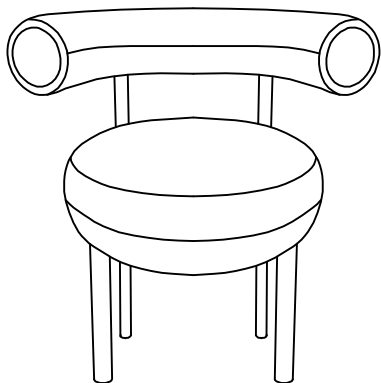


ASSEMBLY INSTRUCTIONS

SKU/ITEM#494/495 ACCENT CHAIR

meridian.
furniture



+ Do Not Use PowerTools



+ Suggested Adults



NOTE: For questions about parts or assembly please email support@meridianfurnitureusa.com or call us at 718-758-4455.

- 1 Read instructions cover to cover.
- 2 Save all packaging until assembly is completed.

1 IMPORTANT SAFETY INFORMATION

Do not assemble the product if any of the following parts arrived damaged:

- Part ① Chair back
- Part ② Cushion
- Part ③ Upper leg frame
- Part ④ Lower leg frame

Do not assemble if any of the following Hardware parts are missing:

- Part A Bolt 1/4"*1-1/2"
- Part B Flat washer 1/4"
- Part C Spring washer 1/4"
- Part D Allen wrench 1/4"

2 IMPORTANT ASSEMBLY INFORMATION

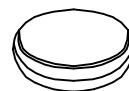
Assembly Step If loosening persists, Please make sure to tighten all the bolts periodically, or use a thread locker adhesive.

+ Parts Included

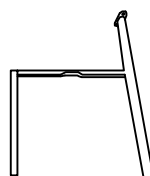
- ① Chair back
1PC



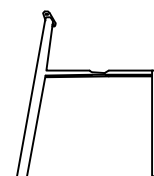
- ② Cushion
1PC



- ③ Upper leg frame
1PC



- ④ Lower leg frame
1PC



+ Hardware Included

- A Bolt 1/4"*1-1/2"
9PCS



- B Flat washer 1/4"
9PCS



- C Spring washer 1/4"
9PCS



- D Allen wrench 1/4"
1PC

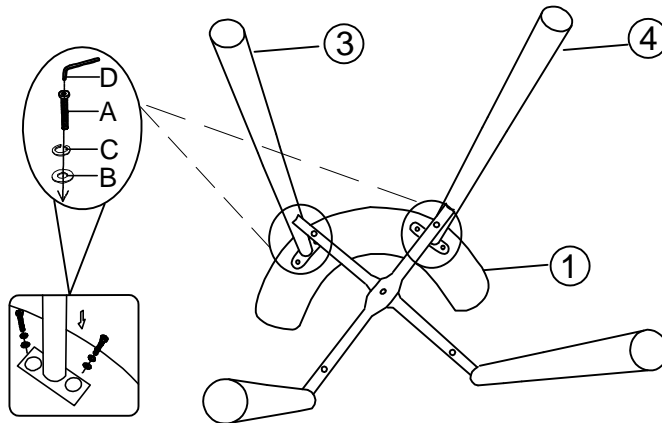


ASSEMBLY INSTRUCTIONS

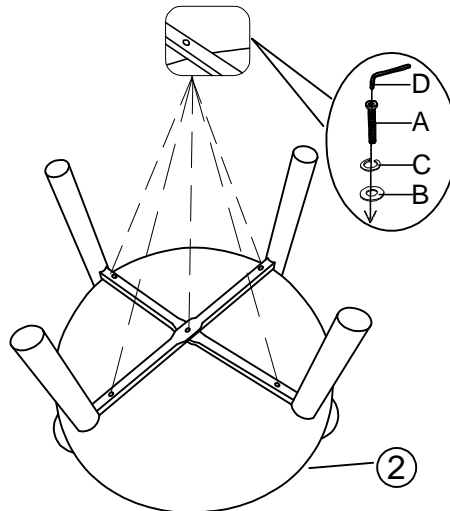
meridian.
furniture

SKU/ITEM#494/495 ACCENT CHAIR

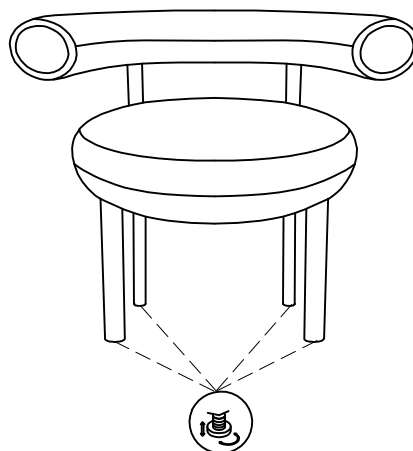
1



2



3



Adjust Pre-installed Levelers height to achieve balance

NOTE: For questions about parts or assembly please email support@meridianfurnitureusa.com or call us at 718-758-4455.

www.MeridianFurnitureUSA.com | support@meridianfurnitureusa.com