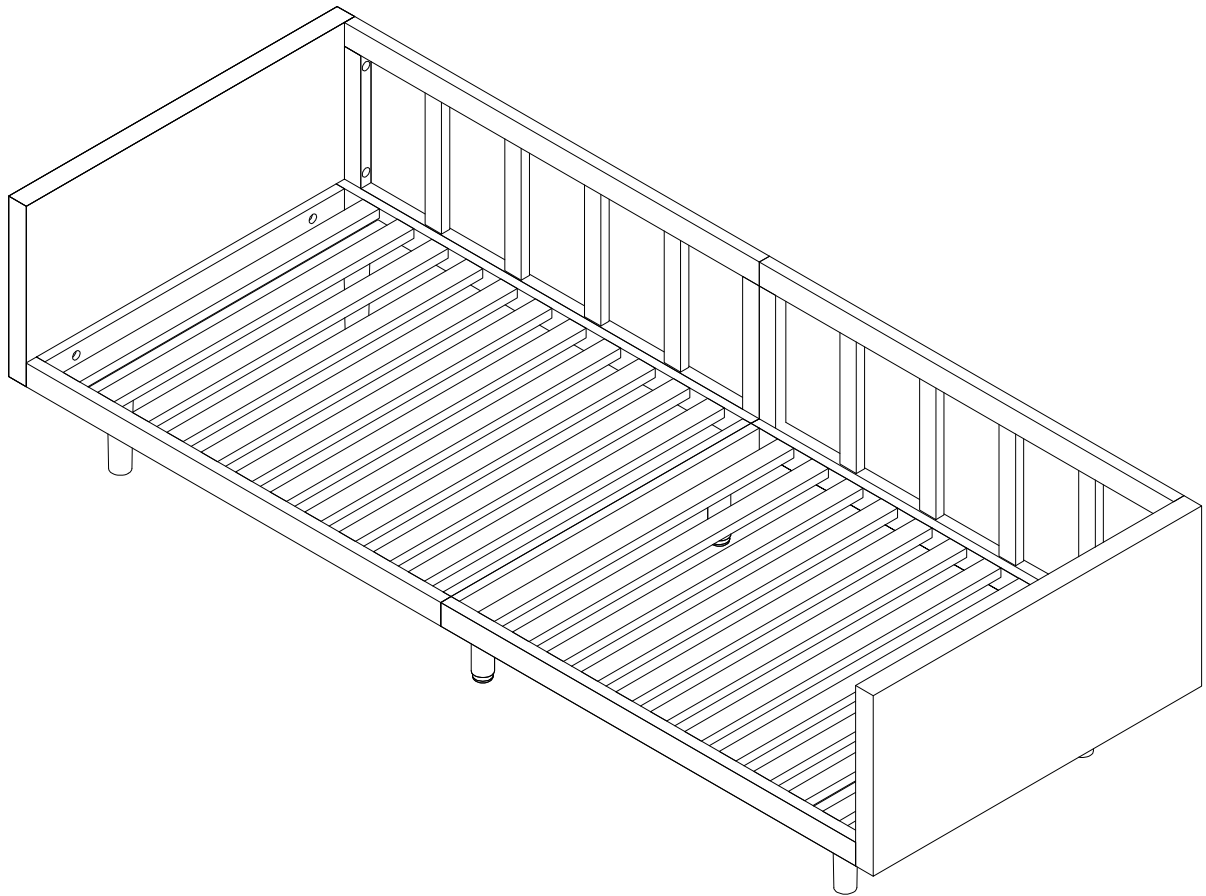
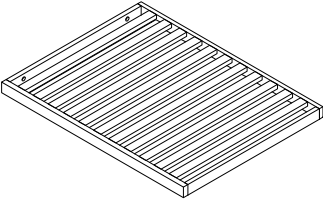
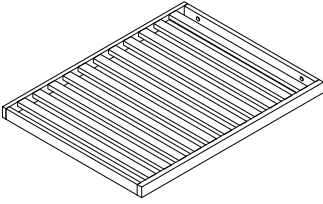
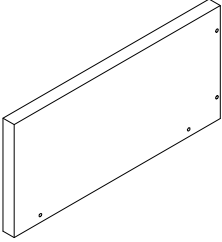
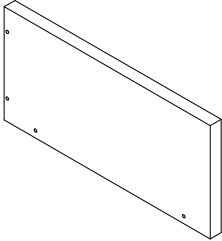
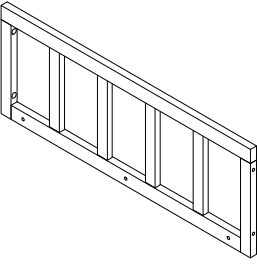

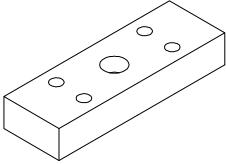



Assembl y Gui de sofa

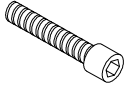
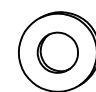
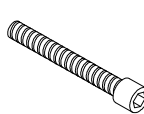
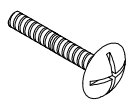
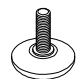

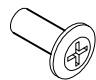
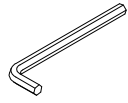
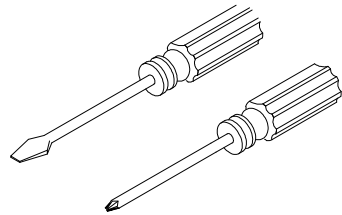


PARTS LIST

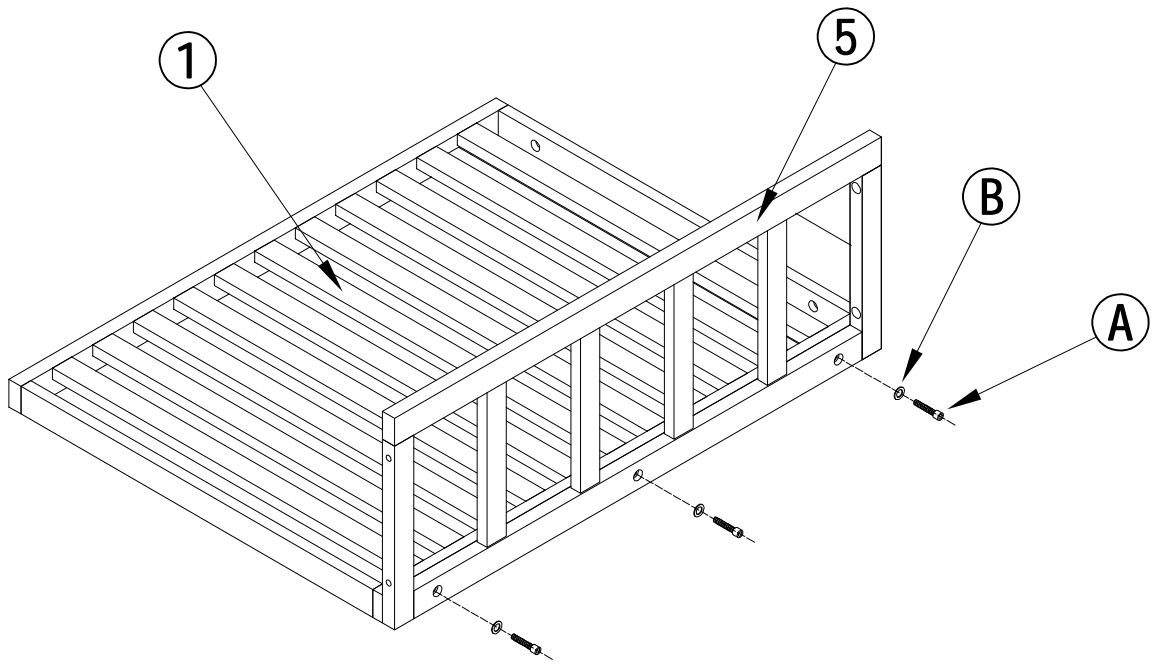
1 	2 	3 	4 
left sofa frame=1	right sofa frame=1	left side panel=1	right side panel=1
5 	6 	7 	8 
backrest panel=2	side legs=4	middle leg pad=2	middle legs=2

Tips: Do not throw away packing materials until assembly is complete for small parts may come loose inside the carton during shipment. If parts are missing, please contact us. Assemble this item on a soft surface, such as carpet to protect the finish.

HARDWARE LIST

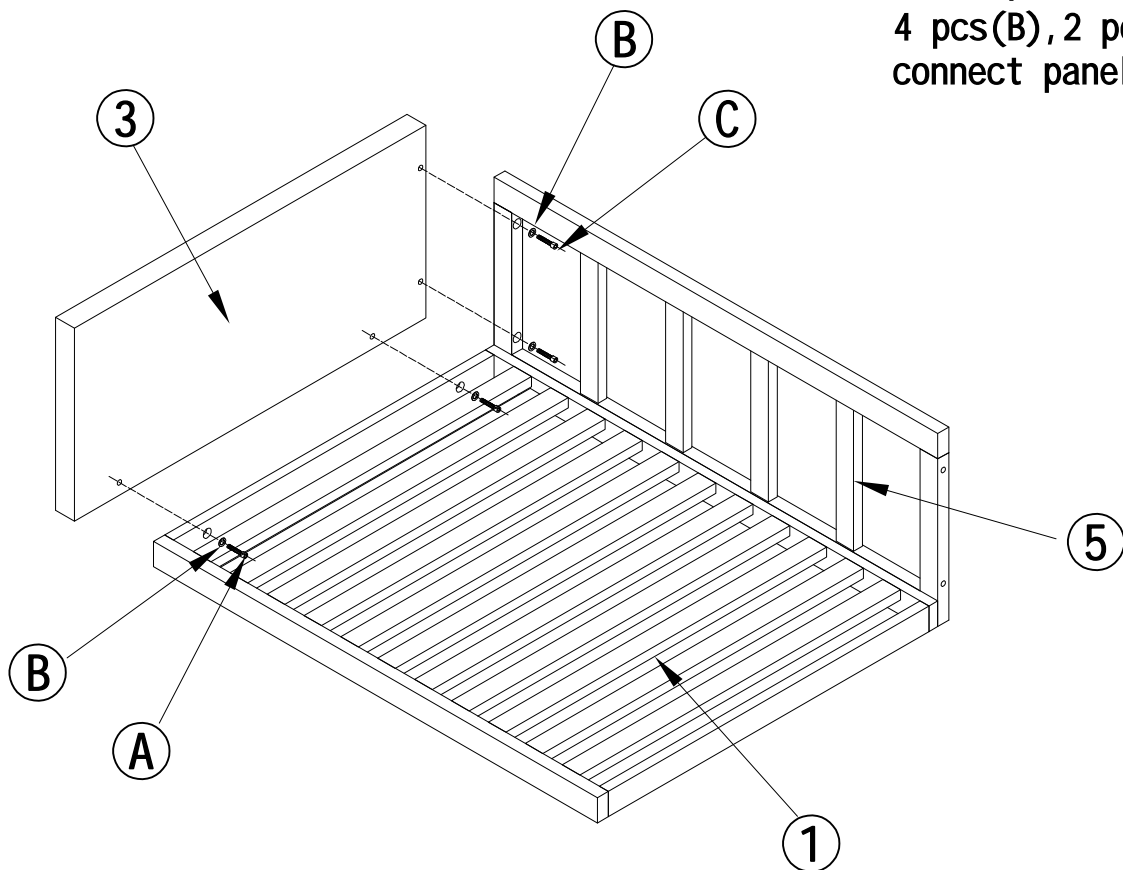
A	B	C	D	E
				
M8*30 hexagon socket screws=16	M8 gaskets=22	M8*40 hexagon socket screws=4	M6*30 big flat screws=8	M8 adjustable foot nail=2
F	G	H		
				
M8*40 straight screws=2	M8 locking screw nuts=4	M8 hexagon wrench=1		
				
			<p>Phillips head screw driver required for assemble---not include</p>	

Step 1



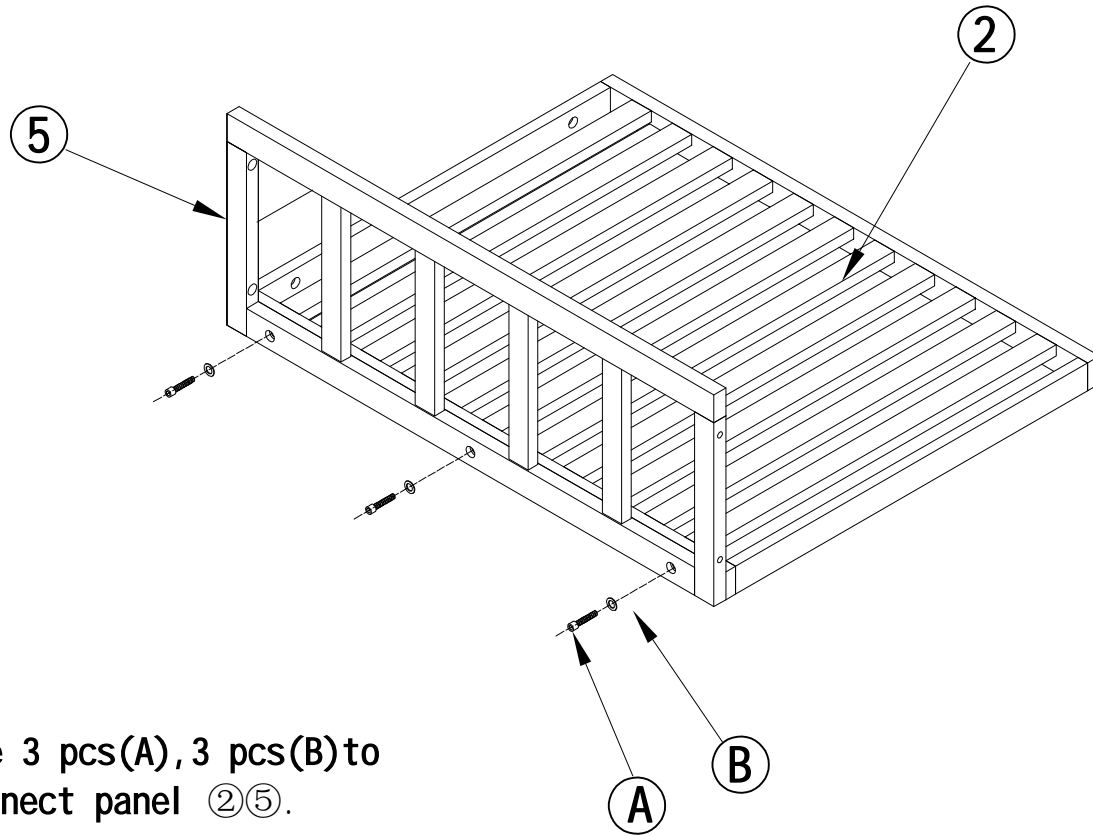
Use 3 pcs(A), 3 pcs(B) to connect panel ①⑤.

Step 2



Use 2 pcs(A), 4 pcs(B), 2 pcs(C) to connect panel ①③⑤.

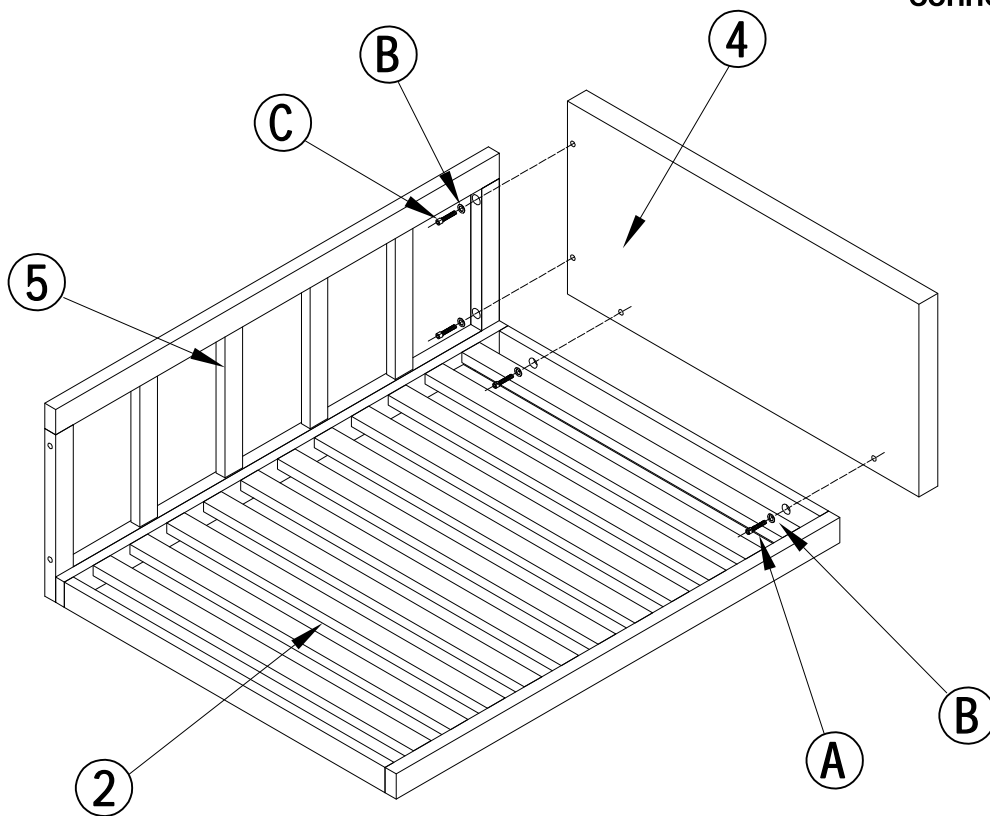
Step 3



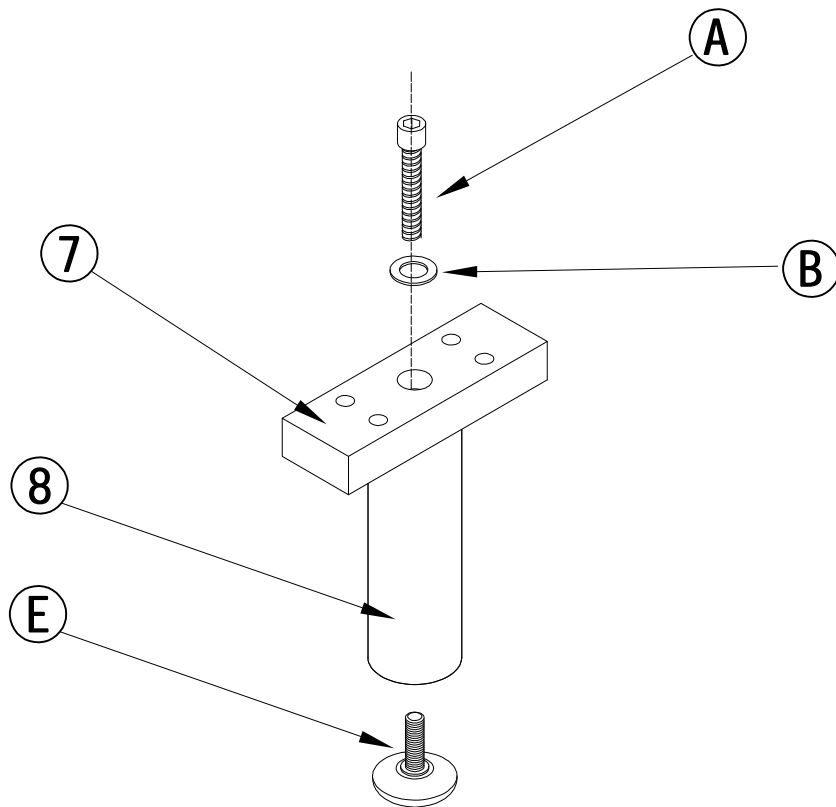
Use 3 pcs(A), 3 pcs(B) to connect panel ②⑤.

Step 4

Use 2 pcs(A), 4 pcs(B), 2 pcs(C) to connect panel ②④⑤.

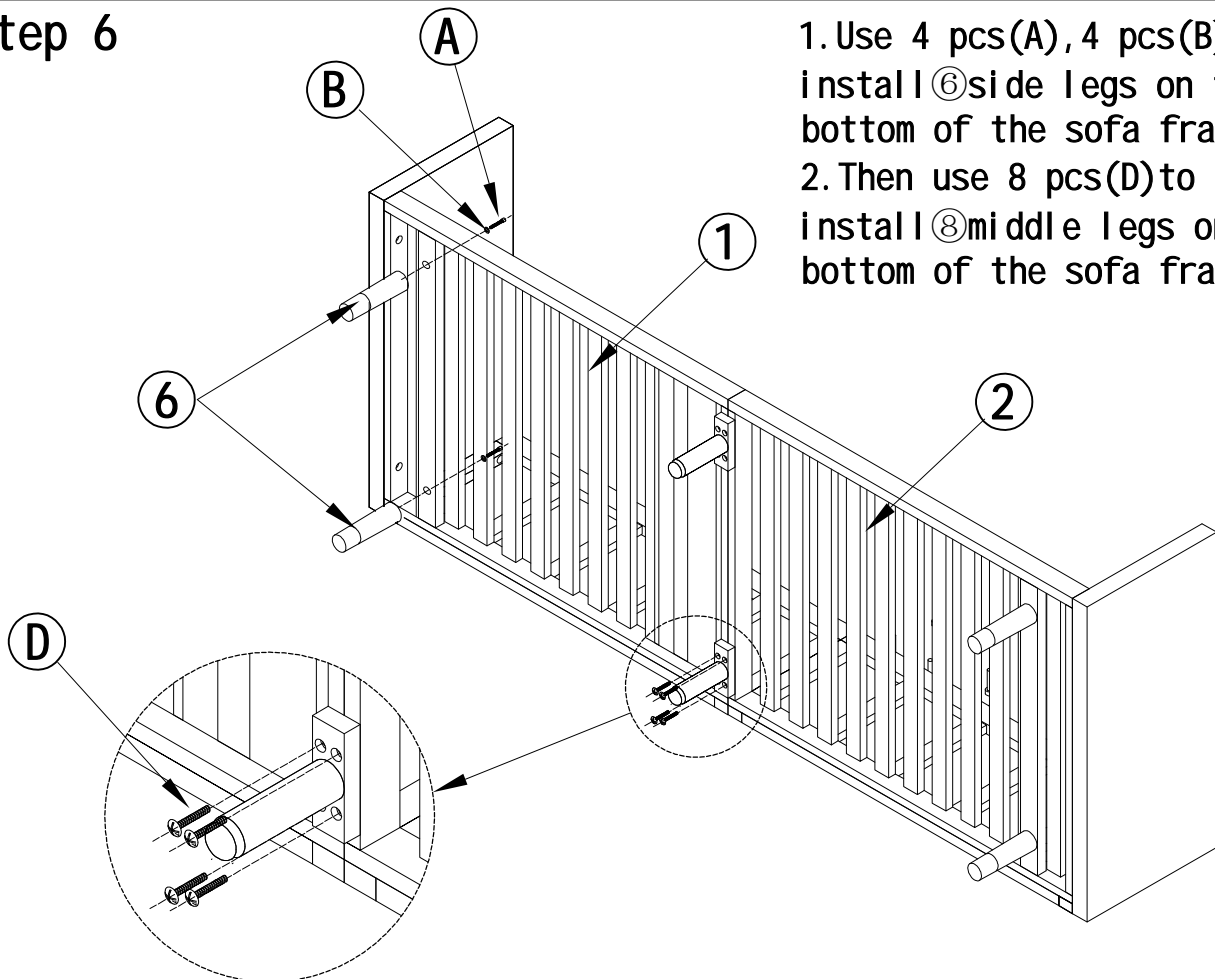


Step 5



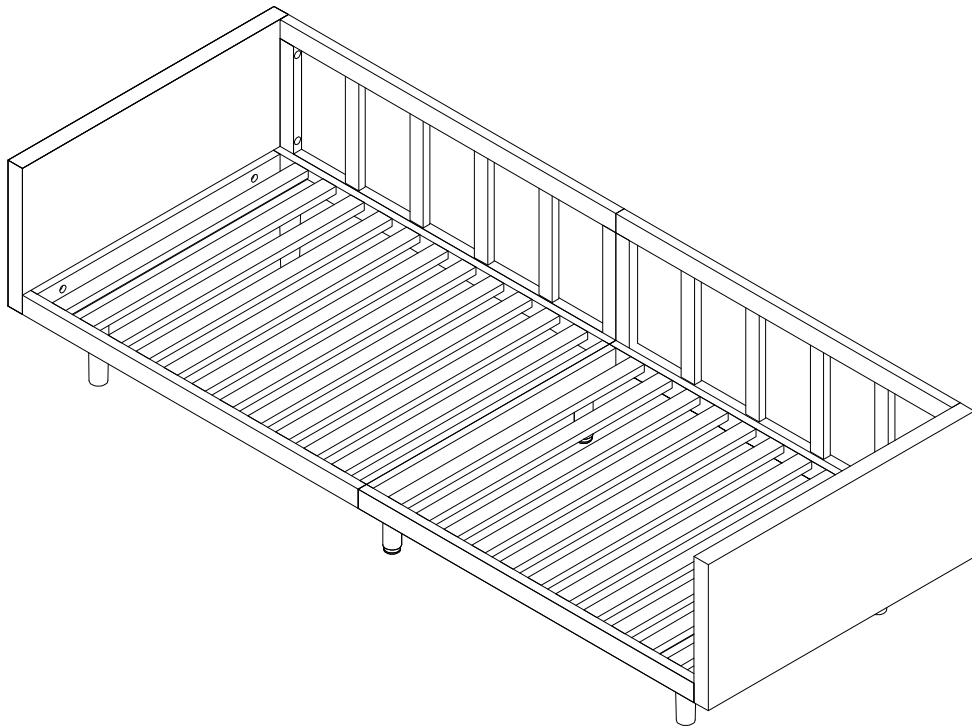
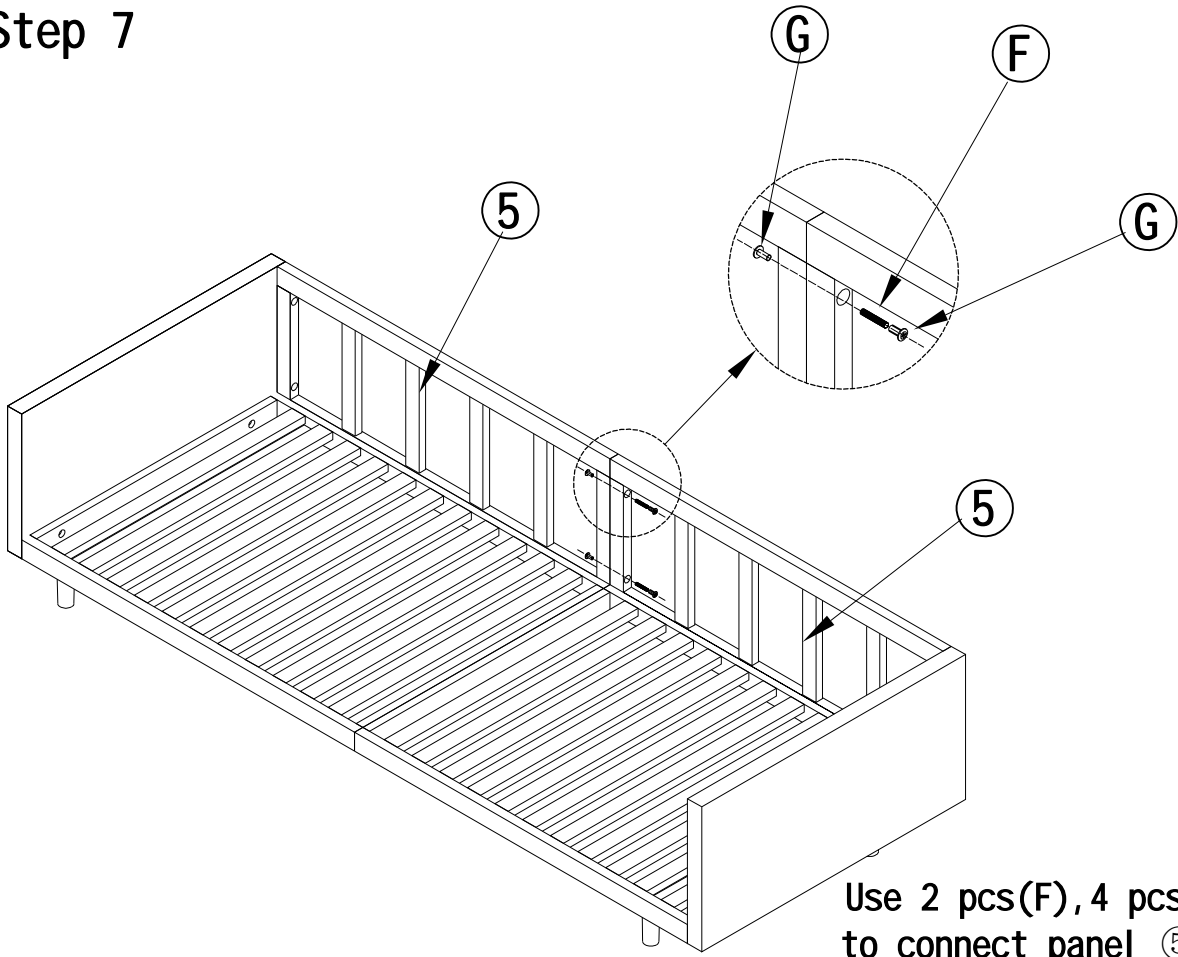
1. Use 1 pcs(A), 1 pcs(B) to install middle leg pads on the middle legs.
2. Then install(E) on the bottom of feet.

Step 6



1. Use 4 pcs(A), 4 pcs(B) to install ⑥ side legs on the bottom of the sofa frame.
2. Then use 8 pcs(D) to install ⑧ middle legs on the bottom of the sofa frame.

Step 7



Finished.