






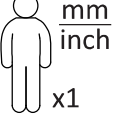
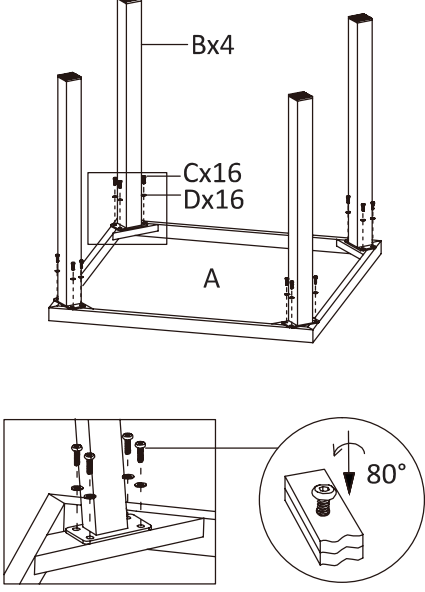
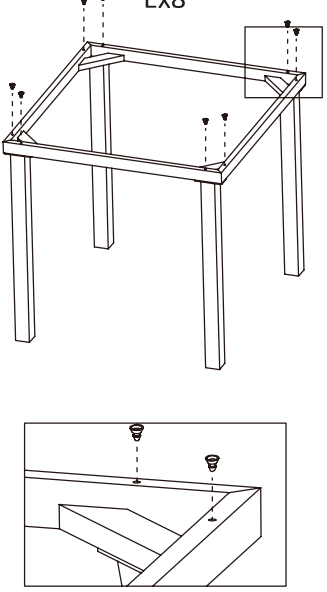
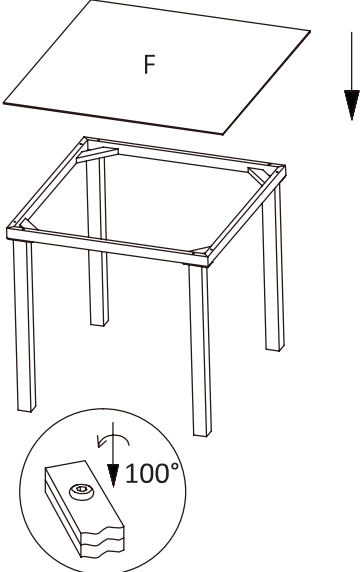


<p>Ax1</p> 	<p>Bx4</p> 	<p>Cx16</p>  <p>M6x $\frac{15}{0.6}$</p>	<p>Dx16</p> 
<p>Ex8</p> 	<p>Fx1</p> 		 <p>x1</p>
<p>1</p> 	<p>2</p> 		
<p>3</p> 	<p>4</p> 